



YAMAHA

PARTS LIST

MODEL XS650D

FOR CANADA



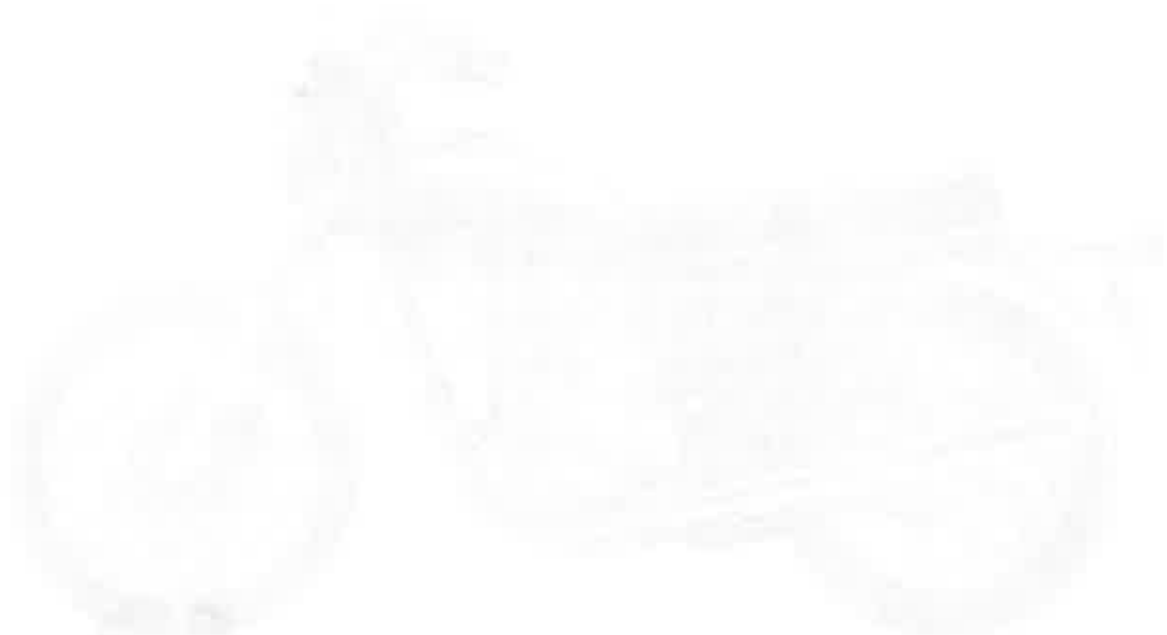
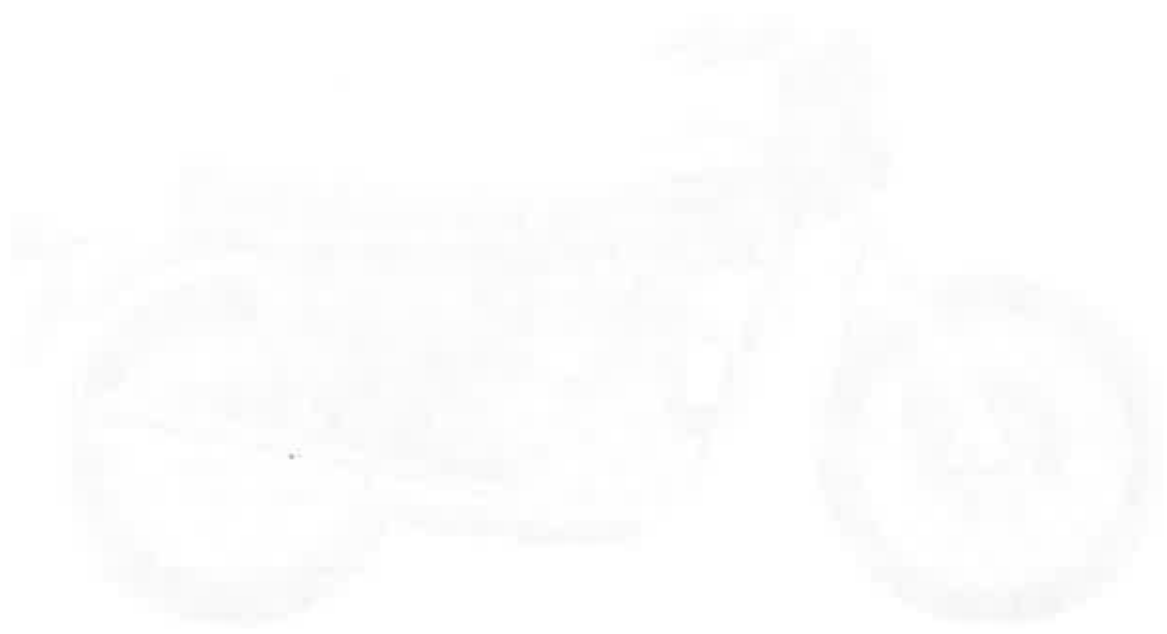
YAMAHA

PARTS LIST

MODEL X8800

FOR CANADA



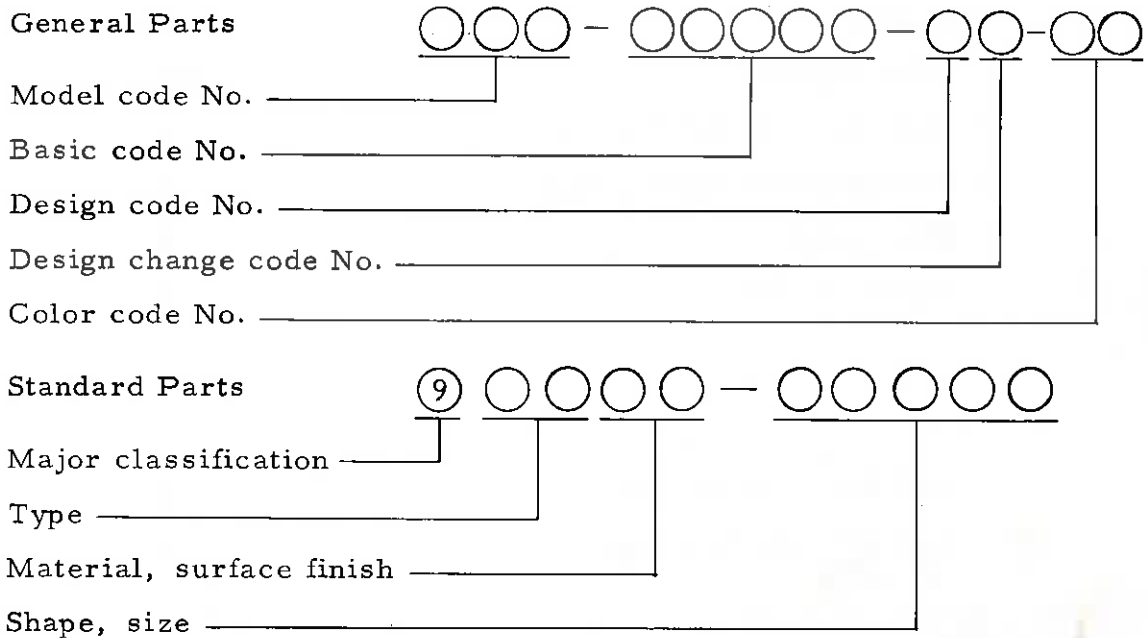


FOREWORD

This Parts List relates to the parts in use for the Yamaha XS650D. When you are ordering replacement parts for the XS650D, refer to this Parts List and quote both part numbers and part names correctly.

1. Structure of Part No.

Yamaha parts are divided largely into two categories; general parts and standard parts, and each part No. has the following structure:



Note: Every standard No. begins with 9.

2. How to Use this Parts List

- (1) Except for steel balls (whose size is indicated in inches), the size of all parts is indicated in millimeters in the following manner.

Hose (rubber or vinyl) Inside diameter - length

O-ring Section area - inside diameter

Washer, shim, collar Inside diameter - outside diameter - thickness (length)

- (2) Parts, which are to be supplied in the form of assemblies, are listed with an indentation of one letter's space, and a dot (.) is put

against the name of each part. If any two different assemblies (e.g., right and left side components) consist of almost the same type components, these two assemblies are listed in two lines, and then the names of component parts are listed in the subsequent lines with an indentation as mentioned earlier. The quantity of parts is given in the following manner; that is, in the case of parts being the same in type between the right and left, a total quantity of parts is given. On the other hand, if the right and left side parts are different in type, the quantity of part(s) on each side is given.

Example

| Description | Q'ty |
|-------------------------|------|
| CARBURETOR ASS'Y, left | 1 |
| CARBURETOR ASS'Y, right | 1 |
| . JET, pilot | 2 |
| . NOZZLE, main | 2 |
| | |
| . LEVER, starter, left | 1 |
| . LEVER, starter, right | 1 |

(3) Key to Symbols

| | |
|------------|--|
| U.R. | Use size (thickness) and/or number as required |
| U.N. | Use as many as you need |
| T | Number of teeth in a gear |
| V | Voltage for light bulbs |
| S | "S" type oil seal or "S" type circlip |
| SD | "SD" type oil seal |
| SO | "SO" type oil seal |
| SW | "SW" type oil seal |
| E | "E" type circlip |
| R | "R" type circlip |
| F/No. | Frame No. (Applicable machine No.) |

- (4) The right and left in relation to parts are determined on the basis of the rider facing toward the front.
- (5) This Parts List is based on the model in the production line on Jul., 1, 1976. Accordingly, if any modifications which have been made to parts will be announced in the Yamaha Parts News. It is advisable that according to the Yamaha Parts News, You will make necessary corrections to the Parts List on hand to keep it up-to dated.

CONTENTS

ENGINE

| | | |
|---------|---|----|
| Fig. 1 | Cylinder Head · Cylinder Head Cover | 1 |
| Fig. 2 | Cylinder | 5 |
| Fig. 3 | Valve · Rocker Arm | 7 |
| Fig. 4 | Crank · Piston | 9 |
| Fig. 5 | Camshaft · Chain Tensioner | 13 |
| Fig. 6 | A.C. Generator | 17 |
| Fig. 7 | Starting Motor Unit | 19 |
| Fig. 8 | Starting Motor | 21 |
| Fig. 9 | Oil Pump | 23 |
| Fig. 10 | Tachometer Gear | 25 |
| Fig. 11 | Clutch | 27 |
| Fig. 12 | Transmission | 29 |
| Fig. 13 | Shifter 1 | 33 |
| Fig. 14 | Shifter 2 | 35 |
| Fig. 15 | Kick Starter | 37 |
| Fig. 16 | Crankcase | 39 |
| Fig. 17 | Crankcase Cover Left | 41 |
| Fig. 18 | Crankcase Cover Right | 43 |
| Fig. 19 | Intake | 45 |
| Fig. 20 | Carburetor | 47 |
| Fig. 21 | Exhaust | 53 |

CHASSIS

| | | |
|---------|--|----|
| Fig. 22 | Frame | 57 |
| Fig. 23 | Battery Box · Side Cover | 59 |
| Fig. 24 | Stand · Footrest · Brake Pedal | 61 |
| Fig. 25 | Rear Arm · Rear Cushion · Chain Case | 65 |
| Fig. 26 | Front Fender · Rear Fender | 67 |

| | | |
|--------------------|------------------------------------|-----|
| Fig. 27 | Front Fork | 69 |
| Fig. 28 | Steering | 73 |
| Fig. 29 | Handle · Wire | 75 |
| Fig. 30 | Master Cylinder · Brake Hose | 77 |
| Fig. 31 | Fuel Tank | 79 |
| Fig. 32 | Seat | 83 |
| Fig. 33 | Front Wheel | 85 |
| Fig. 34 | Disk Brake · Caliper | 87 |
| Fig. 35 | Rear Wheel | 89 |
| Fig. 36 | Head Lamp | 93 |
| Fig. 37 | Speedometer · Tachometer | 97 |
| Fig. 38 | Tail Lamp | 101 |
| Fig. 39 | Flasher Lamp | 103 |
| Fig. 40 | Electrical 1 | 105 |
| Fig. 41 | Electrical 2 | 107 |

ALTERNATE PARTS

| | | |
|---------|-------------------------|-----|
| Fig. 42 | Double Disk Brake | 111 |
|---------|-------------------------|-----|

ACCESSORY PARTS

| | | |
|---------|--------------|-----|
| Fig. 43 | Bumper | 115 |
|---------|--------------|-----|

REPAIR KIT

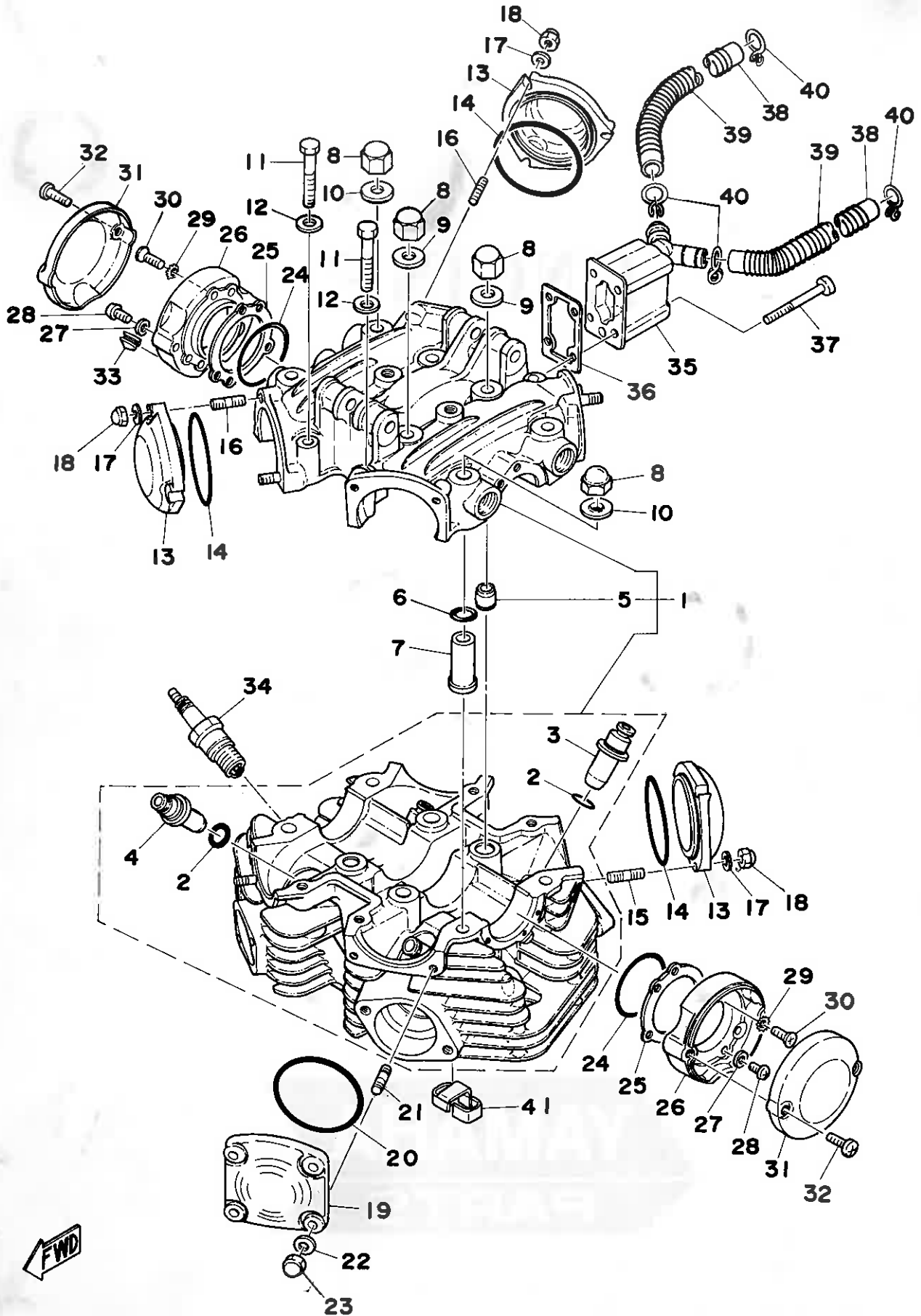
| | | |
|---------|------------------|-----|
| Fig. 44 | Repair Kit | 119 |
|---------|------------------|-----|

NUMERICAL INDEX

ENGINE

YAMAHA
PARTS

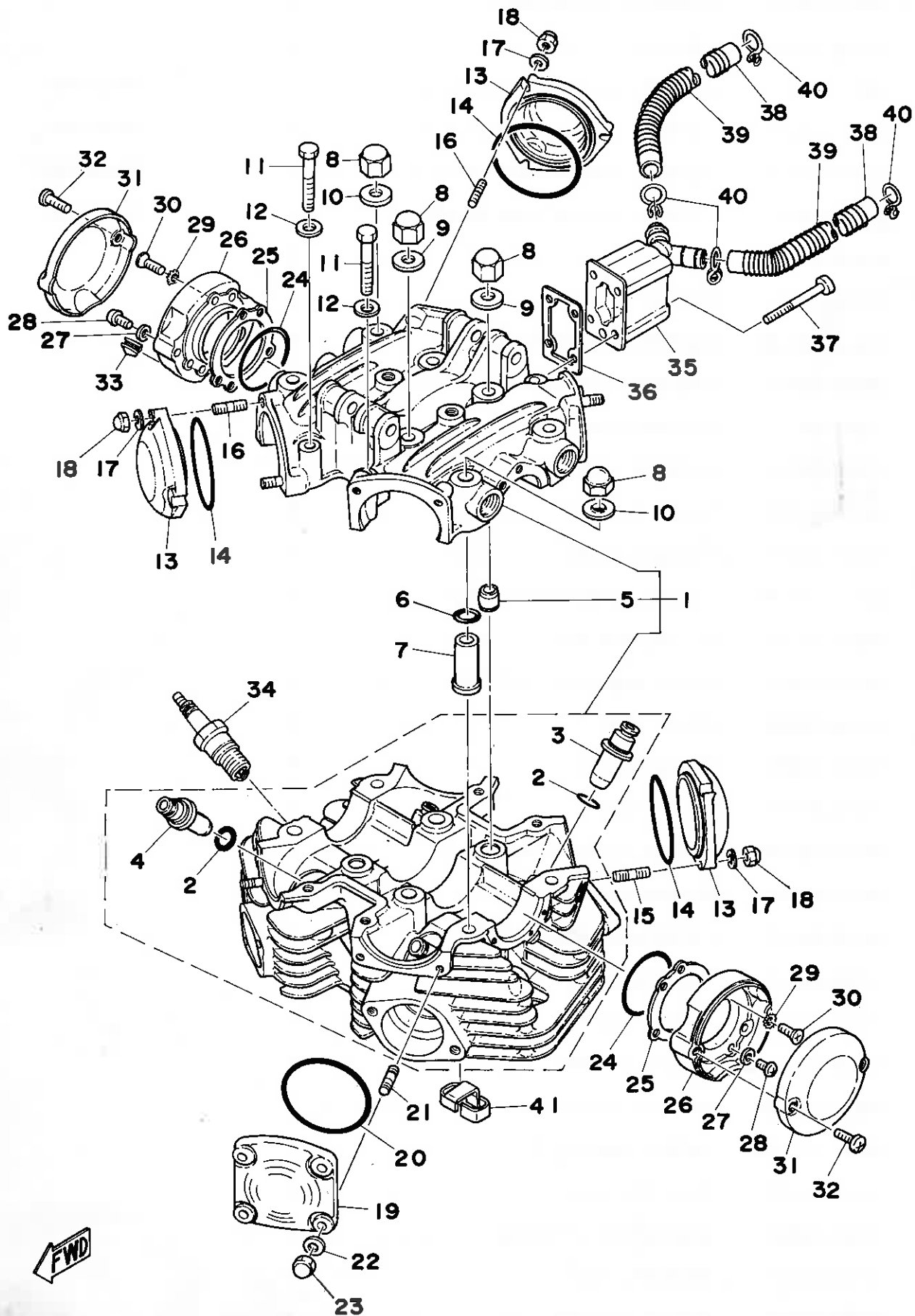
Fig. 1 CYLINDER HEAD · CYLINDER HEAD COVER



FWD

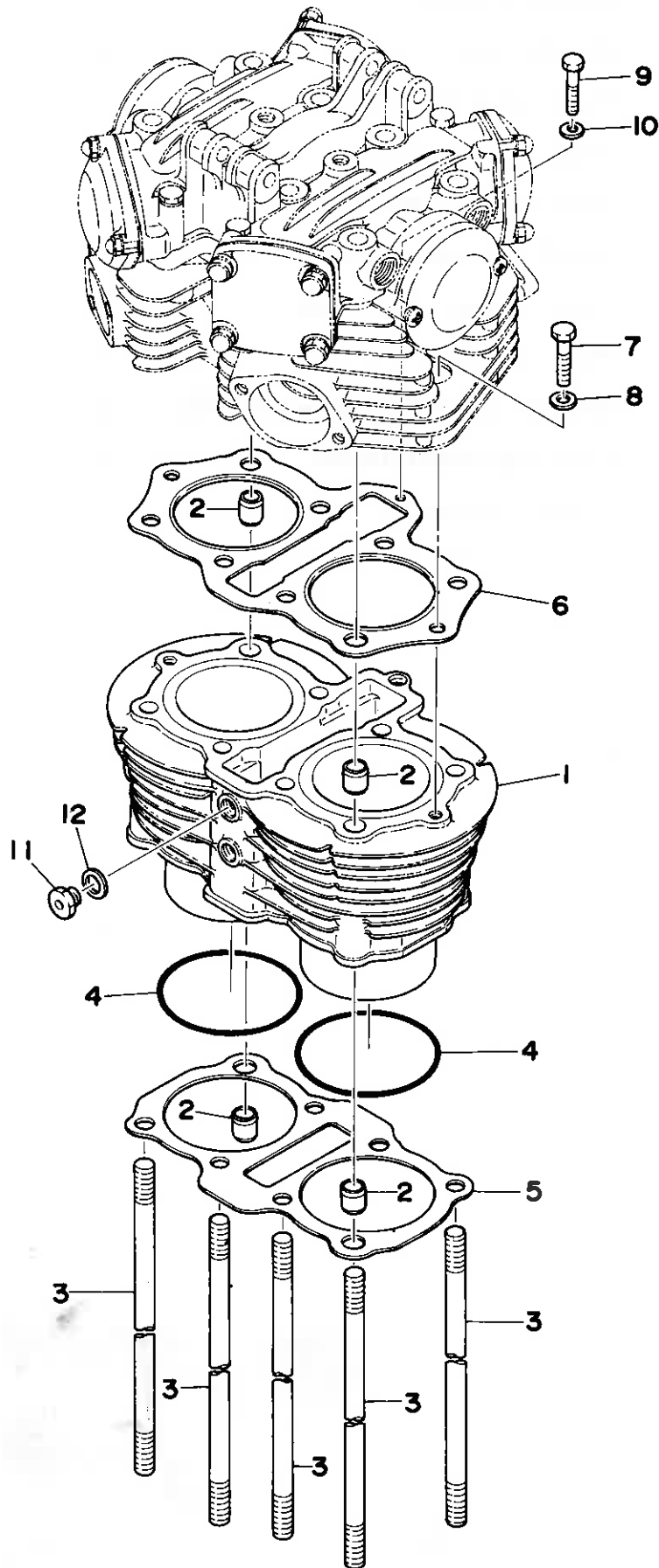
| Ref. No. | Parts No. | Description | Qty | Applicable Machine No. | Remarks |
|----------|--------------|-----------------------------------|-----|------------------------|-----------------|
| 1- 1 | 306-11110-09 | CYLINDER HEAD ASS'Y | 1 | | |
| 2 | 93210-15151 | . O-RING (1.5-4.5) | 4 | | |
| 3 | 256-11133-11 | . GUIDE, intake valve (1st O.S.) | 2 | | Alternate Parts |
| | 256-11133-21 | . GUIDE, intake valve (2nd O.S.) | 2 | | Alternate Parts |
| 4 | 256-11134-11 | . GUIDE, exhaust valve (1st O.S.) | 2 | | Alternate Parts |
| | 256-11134-21 | . GUIDE, exhaust valve (2nd O.S.) | 2 | | Alternate Parts |
| 5 | 91810-16016 | . PIN, dowel (12.3-15-16) | 2 | | |
| 6 | 93210-12152 | O-RING (1.8-11.5) | 4 | | |
| 7 | 256-11199-00 | SLEEVE, cylinder head cover | 4 | | |
| 8 | 90176-10008 | NUT (256-11171-00) | 8 | | |
| 9 | 90201-10131 | WASHER (256-11174-00) | 4 | | |
| 10 | 90210-10004 | WASHER, seal (256-11173-02) | 4 | | |
| 11 | 97321-08060 | BOLT, hexagon | 4 | | |
| 12 | 92901-08200 | WASHER, plain | 4 | | |
| 13 | 447-11186-00 | COVER, cylinder head side 1 | 3 | | |
| 14 | 93210-62304 | O-RING (2.8-62) | 3 | | |
| 15 | 90116-06017 | BOLT, stud (256-11179-00) | 3 | | M6-26ℓ |
| 16 | 90116-06238 | BOLT, stud | 6 | | |
| 17 | 92903-06200 | WASHER, plain | 9 | | |
| 18 | 95303-06800 | NUT, crown | 9 | | |
| 19 | 447-11185-00 | COVER, cylinder head side 3 | 1 | | |
| 20 | 93210-62304 | O-RING (2.8-62) | 1 | | |
| 21 | 90116-08150 | BOLT, stud (802-13558-00) | 4 | | |
| 22 | 92903-08200 | WASHER, plain | 4 | | |
| 23 | 95303-08800 | NUT, crown | 4 | | |
| 24 | 93210-45150 | O-RING (2.3-45) | 2 | | |
| 25 | 256-11146-00 | GASKET, breaker cover | 2 | | |
| 26 | 256-11157-03 | COVER, breaker 1 | 2 | | |
| 27 | 92901-06200 | WASHER, plain | 2 | | |
| 28 | 90147-06001 | SCREW (256-11151-00) | 2 | | |
| 29 | 92901-06500 | WASHER, tooth | 6 | | |
| 30 | 92701-06015 | SCREW, flathead | 6 | | |

Fig. 1 CYLINDER HEAD · CYLINDER HEAD COVER



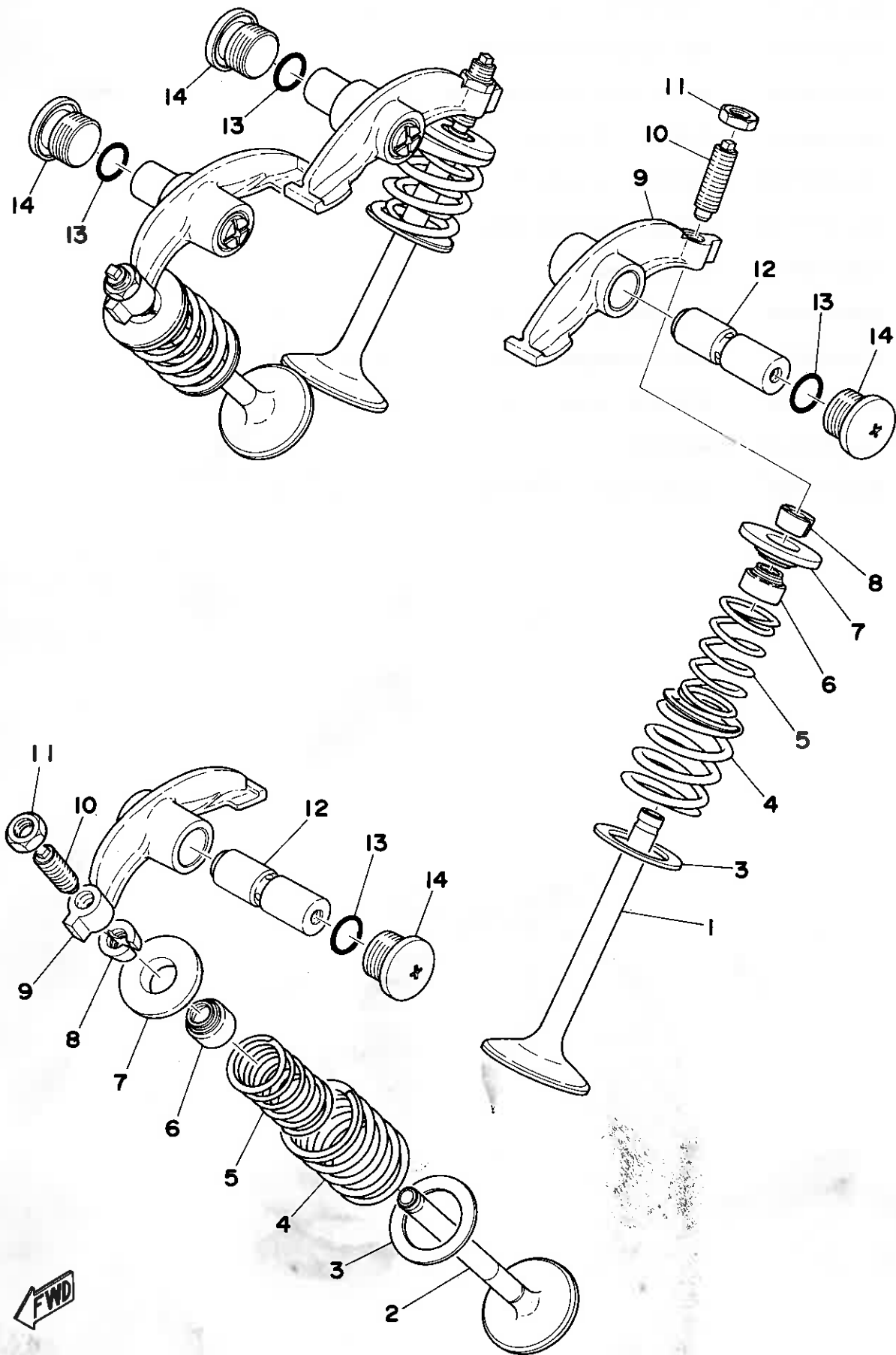
| Ref. No. | Parts No. | Description | Q'ty | Applicable Machine No. | Remarks |
|----------|--------------|---------------------------------------|------|---------------------------|---------|
| 1-31 | 256-11158-01 | COVER, breaker 2 | 2 | | |
| 32 | 91903-06020 | SCREW, bind | 4 | | |
| 33 | 90338-12044 | PLUG, blind (256-11159-00) | 1 | | |
| 34 | 94701-00117 | PLUG, spark (BP-7ES) | 2 | | |
| 35 | 584-11108-00 | BREATHER COVER ASS'Y | 1 | | |
| 36 | 256-11169-01 | GASKET, breather cover | 1 | | |
| 37 | 91316-06060 | BOLT, hexagon socket head | 4 | | |
| 38 | 584-11166-00 | PIPE, breather 1 | 2 | | |
| 39 | 90501-08046 | SPRING, compression (256-14474-00) .. | 2 | | |
| 40 | 90467-14011 | CLIP, pipe (256-11189-00) | 4 | | |
| 41 | 447-11135-00 | PLATE, breather 3 | 1 | | |

Fig. 2 CYLINDER



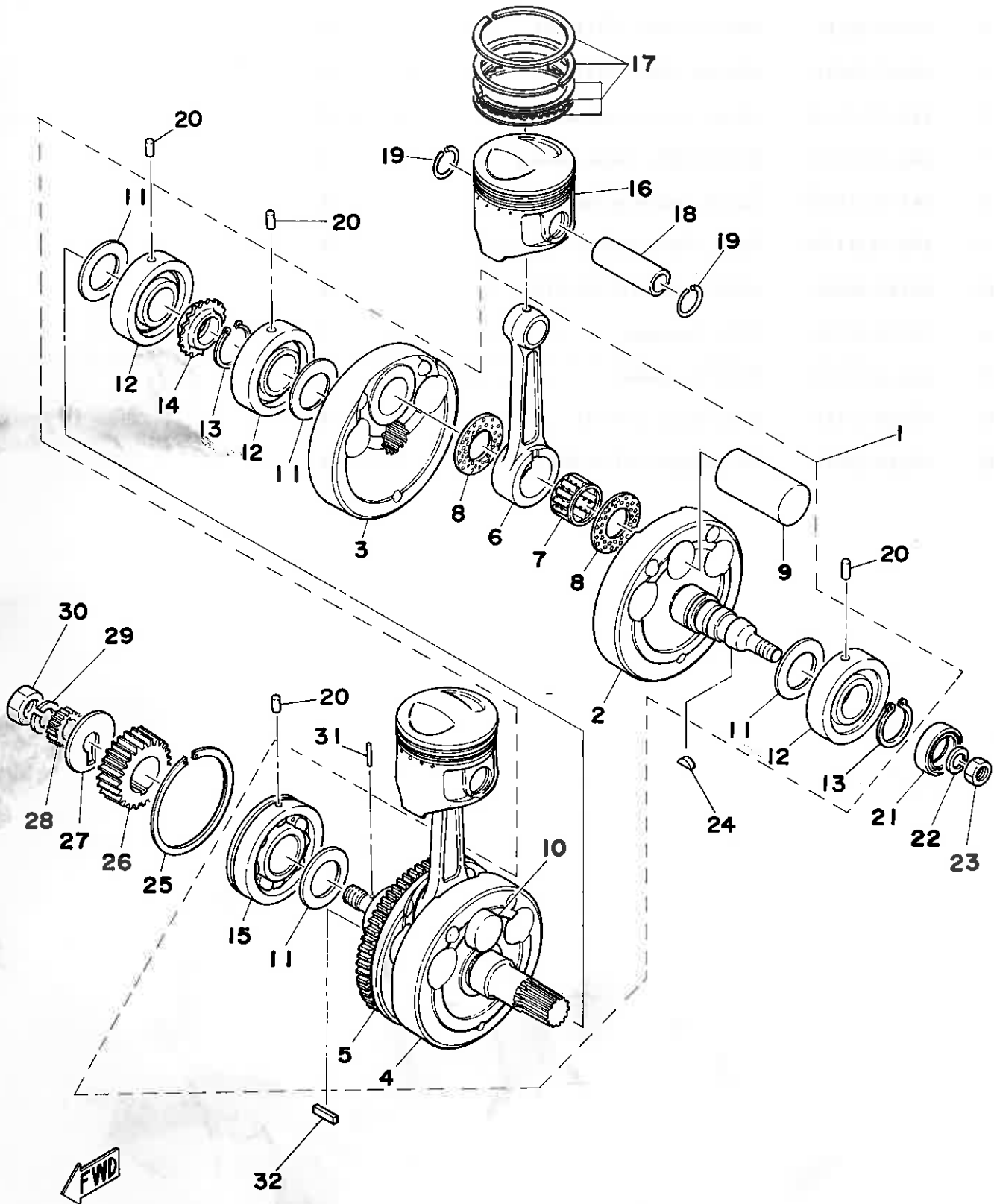
| Ref. No. | Parts No. | Description | Q'ty | Applicable Machine No. | Remarks |
|----------|--------------|---------------------------------|------|------------------------|----------|
| 2- 1 | 306-11311-00 | CYLINDER | 1 | | |
| 2 | 91810-16016 | PIN, dowel (10.5-14-16) | 4 | | |
| 3 | 90116-10108 | BOLT, stud (256-11361-00) | 8 | | M10-2802 |
| 4 | 93210-82153 | O-RING (1.5-81.5) | 2 | | |
| 5 | 256-11351-00 | GASKET, cylinder 1 | 1 | | |
| 6 | 306-11181-00 | GASKET, cylinder head | 1 | | |
| 7 | 97321-08035 | BOLT, hexagon | 2 | | |
| 8 | 92903-08200 | WASHER, plain | 2 | | |
| 9 | 97323-06035 | BOLT, hexagon | 1 | | |
| 10 | 92903-06200 | WASHER, plain | 1 | | |
| 11 | 256-11395-02 | HOLDER | 2 | | |
| 12 | 90430-11033 | GASKET (256-11397-01) | 2 | | |

Fig. 3 VALVE · ROCKER ARM



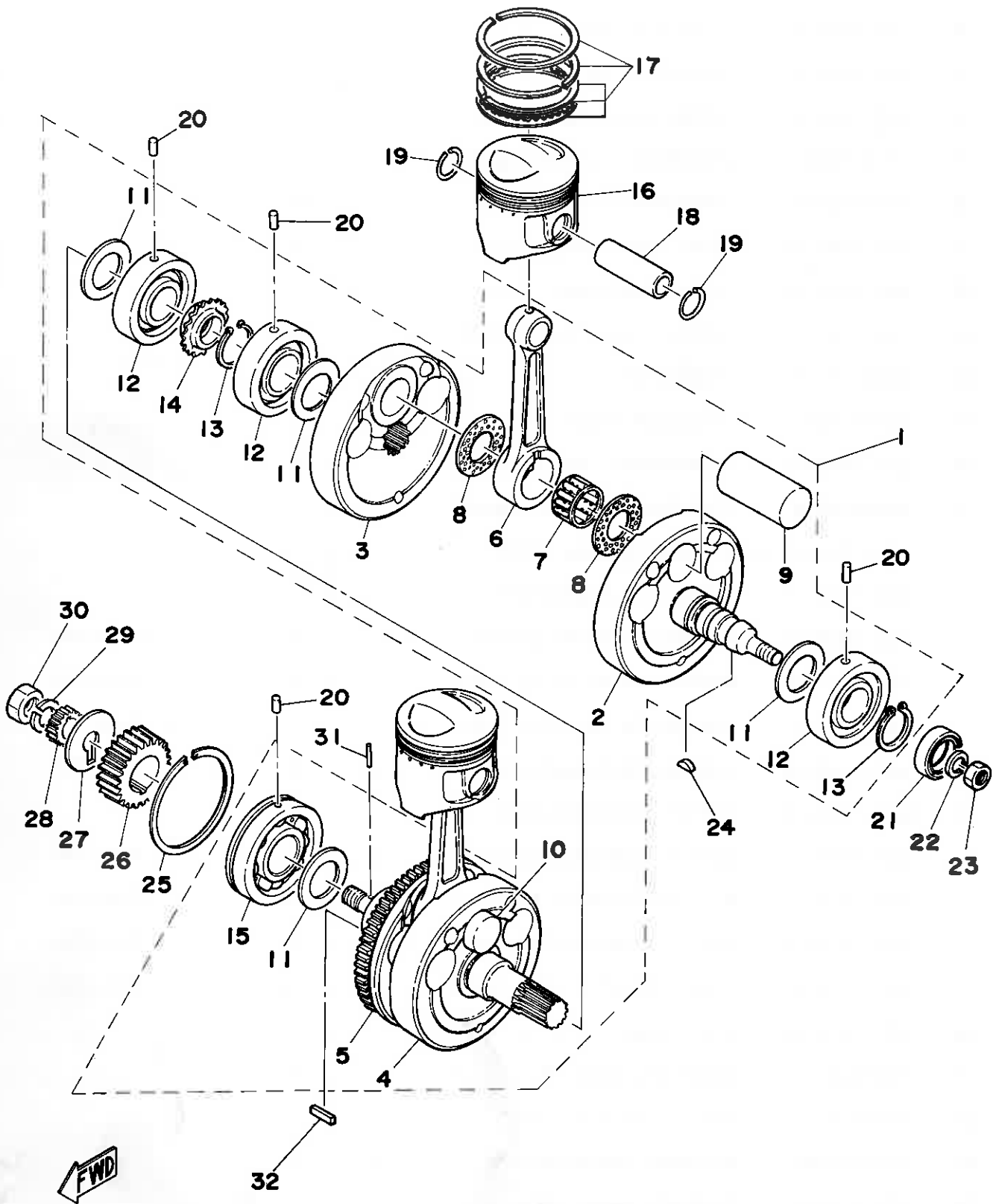
| Ref. No. | Parts No. | Description | Q'ty | Applicable Machine No. | Remarks |
|----------|--------------|-----------------------------------|------|---------------------------|---------|
| 3- 1 | 341-12111-02 | VALVE, intake | 2 | | |
| 2 | 341-12121-01 | VALVE, exhaust | 2 | | |
| 3 | 256-12116-01 | SEAT, valve spring | 4 | | |
| 4 | 90501-42286 | SPRING (447-12114-00) | 4 | | |
| 5 | 90501-29284 | SPRING (447-12113-00) | 4 | | |
| 6 | 341-12119-02 | SEAL, valve stem oil | 4 | | |
| 7 | 256-12117-00 | RETAINER, valve spring | 4 | | |
| 8 | 341-12118-00 | LOCK, valve spring retainer | 8 | | |
| 9 | 306-12151-00 | ARM, valve rocker | 4 | | |
| 10 | 90149-08098 | SCREW (447-12159-01) | 4 | | |
| 11 | 90170-08173 | NUT, hexagon | 4 | | |
| 12 | 256-12156-01 | SHAFT, rocker | 4 | | |
| 13 | 93210-17143 | O-RING (2.5-17.7) | 4 | | |
| 14 | 90340-18017 | PLUG (256-11177-00) | 4 | | |

Fig. 4 CRANK · PISTON



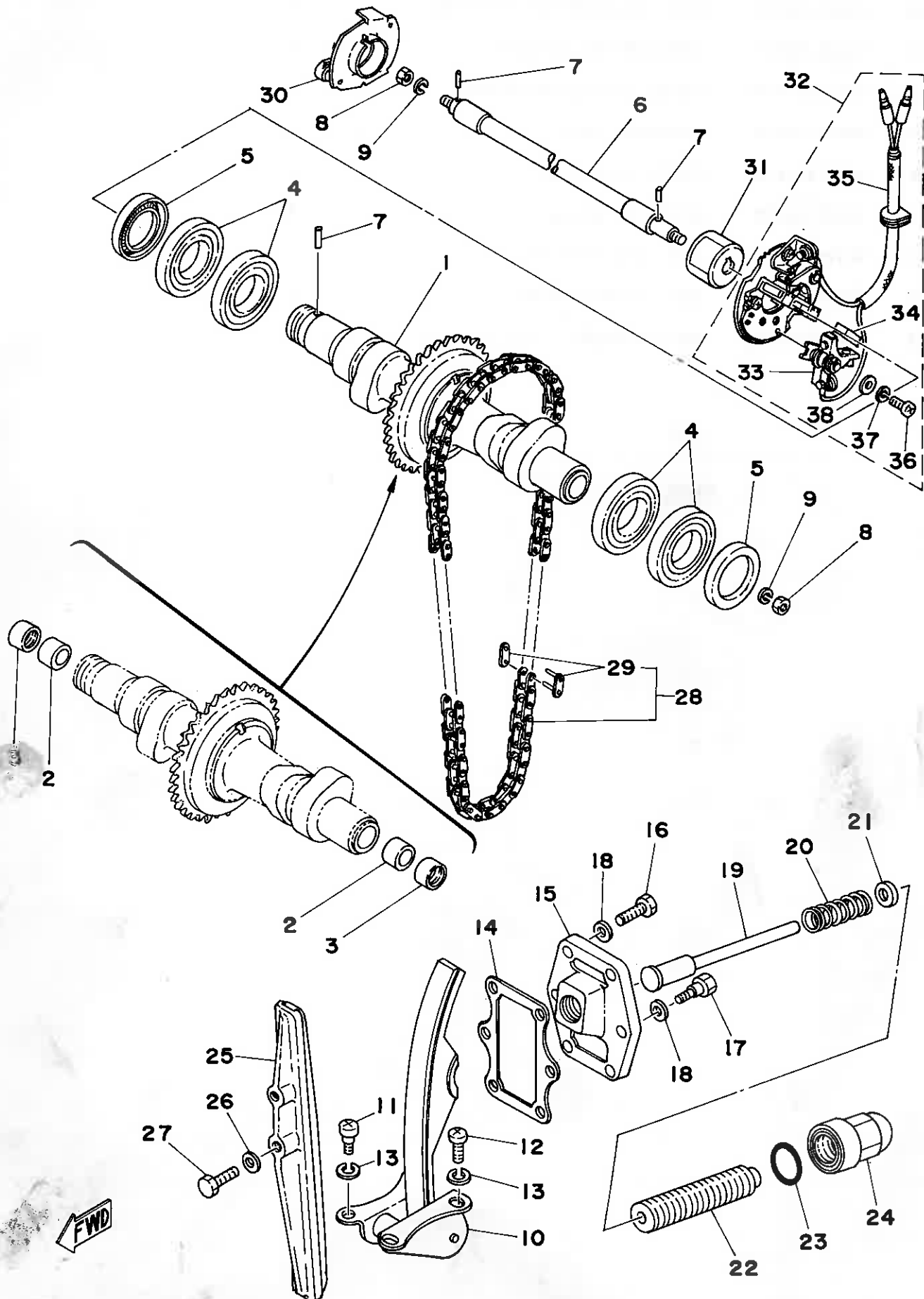
| Ref. No. | Parts No. | Description | Q'ty | Applicable Machine No. | Remarks |
|----------|-----------------|-----------------------------|------------|------------------------|-----------------|
| 4- 1 | 447-11400-01 | CRANK ASS'Y | 1 | | |
| 2 | 256-11412-01 | . CRANK 1, left | 1 | | |
| 3 | 256-11422-01 | . CRANK 1, right | 1 | | |
| 4 | 256-11432-02 | . CRANK 2, left | 1 | | |
| 5 | 306-11442-03 | . CRANK 2, right | 1 | | |
| 6 | 447-11651-00 | . ROD, connecting | 2 | | |
| 7 | 93310-62660 | . BEARING, con-rod big end | 2 | | |
| 8 | 90209-26014 | . WASHER (256-11685-00) | 4 | | |
| 9 | 256-11681-00 | . PIN, crank left | 1 | | |
| 10 | 306-11681-00 | . PIN, crank right | 1 | | |
| 11 | 256-11561-00 | . SHIM, crank (32.2-44-1.0) | 4 | | |
| 12 | 93390-00003 | . BEARING | 3 | | |
| 13 | 93410-32019 | . CIRCLIP (S-32) | 2 | | |
| 14 | 447-11549-01 | . SPROCKET, cam chain (17T) | 1 | | |
| 15 | 93306-30604 | . BEARING (B6306C3 special) | 1 | | |
| 16 | 447-11631-01-96 | PISTON (74.96mm STD) | } U.R 2 | | |
| | 447-11631-01-97 | PISTON (74.97mm STD) | | | |
| | 447-11635-01 | PISTON (75.25mm 1st O.S.) | 2 | | Alternate Parts |
| | 447-11636-01 | PISTON (75.50mm 2nd O.S.) | 2 | | Alternate Parts |
| | 447-11637-01 | PISTON (75.75mm 3rd O.S.) | 2 | | Alternate Parts |
| | 447-11638-01 | PISTON (76.00mm 4th O.S.) | 2 | | Alternate Parts |
| 17 | 447-11610-00 | PISTON RING SET (STD) | 2 | | |
| | 447-11610-10 | PISTON RING SET (1st O.S.) | 2s | | Alternate Parts |
| | 447-11610-20 | PISTON RING SET (2nd O.S.) | 2s | | Alternate Parts |
| | 447-11610-30 | PISTON RING SET (3rd O.S.) | 2s | | Alternate Parts |
| | 447-11610-40 | PISTON RING SET (4th O.S.) | 2s | | Alternate Parts |
| 18 | 447-11633-00 | PIN, piston | 2 | | |
| 19 | 93450-22027 | CLIP (341-11634-00) | 4 | | |
| 20 | 93605-12069 | PIN, dowel (4.5-11.8) | 4 | | |
| 21 | 93102-25121 | OIL SEAL (SD-25-40.6-9) | 1 | | |
| 22 | 92901-12100 | WASHER, spring | 1 | | |
| 23 | 90170-12064 | NUT (256-11556-00) | 1 | | |

Fig. 4 CRANK · PISTON



| Ref. No. | Parts No. | Description | Qty | Applicable Machine No. | Remarks |
|----------|--------------|------------------------------------|-----|---------------------------|---------|
| 4-24 | 90280-04005 | KEY, woodruff (341-11545-00) | 1 | | |
| 25 | 93440-78011 | CIRCLIP (78 ϕ special) | 1 | | |
| 26 | 256-16111-00 | GEAR, primary drive (27T) | 1 | | |
| 27 | 90201-16579 | WASHER, plate | 1 | | |
| 28 | 256-13324-01 | GEAR, drive 1 (17T) | 1 | | |
| 29 | 92901-14100 | WASHER, spring | 1 | | |
| 30 | 90170-14076 | NUT (256-11555-00) | 1 | | |
| 31 | 93603-17070 | PIN, dowel (3-16.8) | 1 | | |
| 32 | 90282-07023 | KEY, straight | 1 | | |

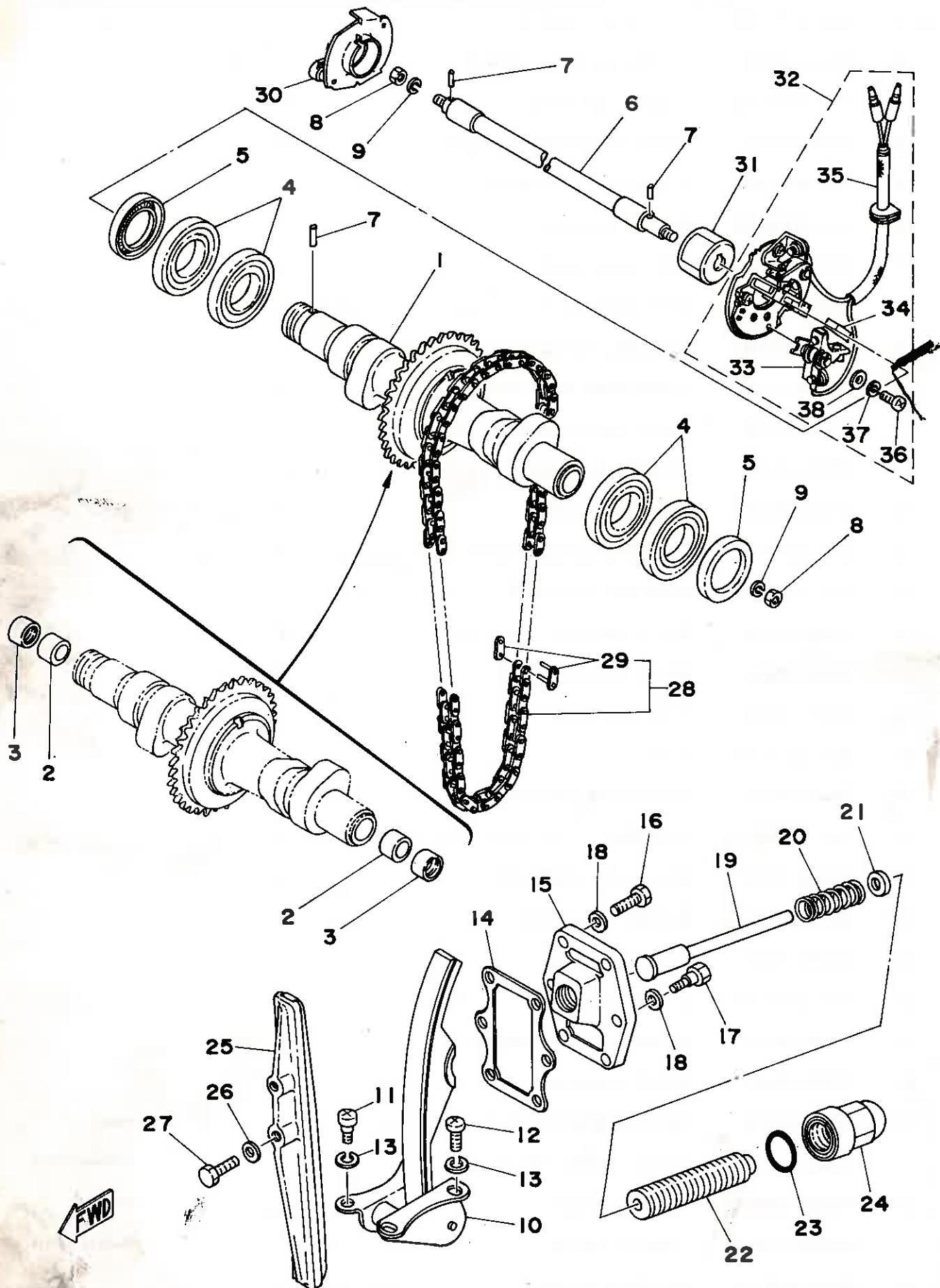
Fig. 5 CAMSHAFT · CHAIN TENSIONER



FWD

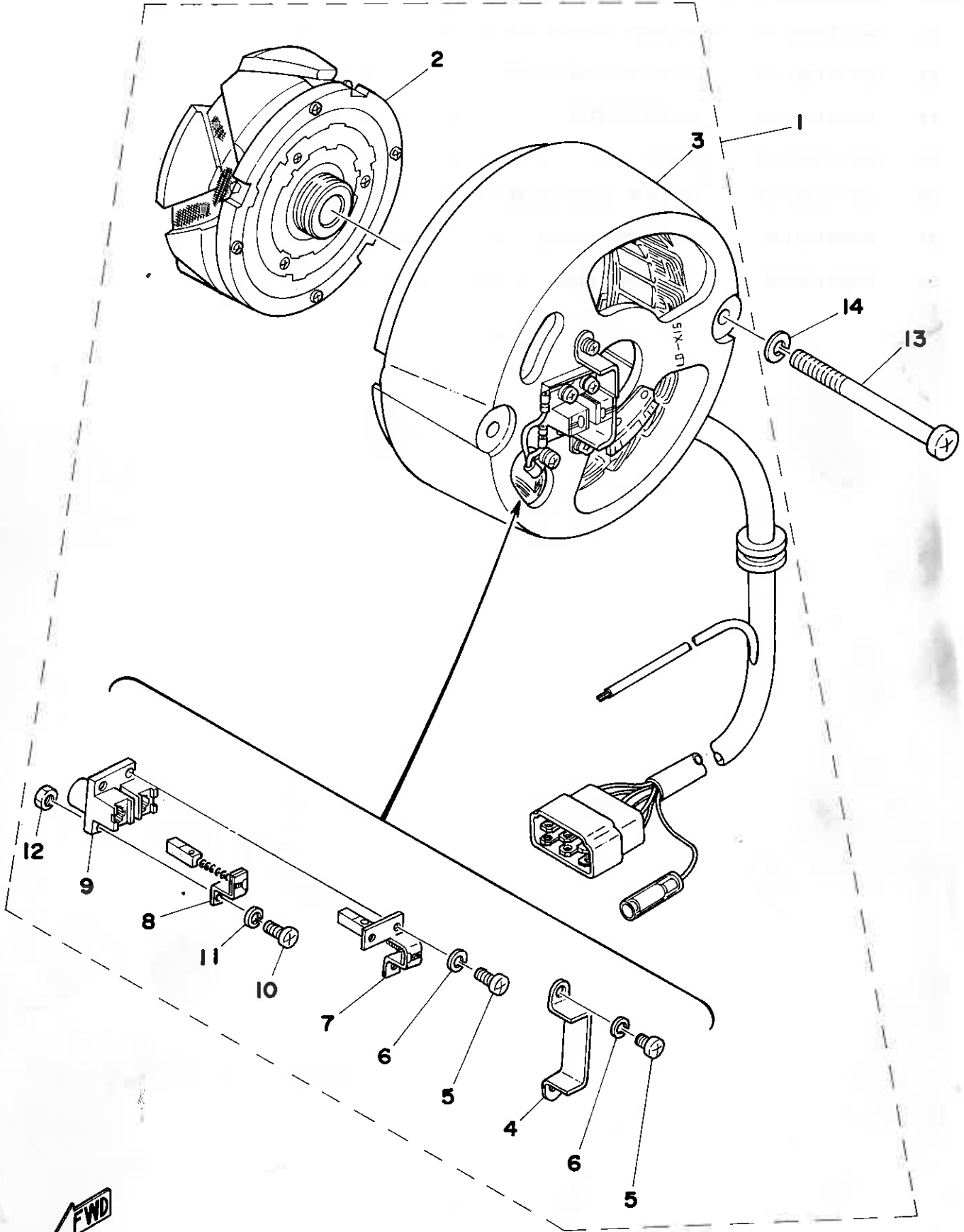
| Ref. No. | Parts No. | Description | Q'ty | Applicable Machine No. | Remarks |
|----------|--------------|-----------------------------|------------|------------------------|---------|
| 5- 1 | 447-12170-00 | CAM SHAFT ASS'Y | 1 | | |
| 2 | 90386-12093 | . BUSHING (256-11154-00) | 2 | | |
| 3 | 256-11155-00 | . SEAL, labyrinth | 2 | | |
| 4 | 93316-00503 | BEARING (B16005 special) | 4 | | |
| 5 | 93101-25044 | OIL SEAL (S-25-40-6) | 2 | | |
| 6 | 256-11156-00 | SHAFT, breaker | 1 | | |
| 7 | 93603-07073 | PIN, dowel (3-7) | 3 | | |
| 8 | 95301-06600 | NUT, hexagon | 2 | | |
| 9 | 92901-06100 | WASHER, spring | 2 | | |
| 10 | 447-12220-00 | TENSIONER ARM ASS'Y | 1 | | |
| 11 | 90149-06009 | BOLT, reamer (256-12248-00) | 2 | | |
| 12 | 92501-06015 | SCREW, panhead | 2 | | |
| 13 | 92901-06100 | WASHER, spring | 4 | | |
| 14 | 306-12213-01 | GASKET, tensioner case 1 | 1 | | |
| 15 | 584-12211-00 | HOLDER, tensioner | 1 | | |
| 16 | 97303-06018 | BOLT, hexagon | 4 | | |
| 17 | 90109-06019 | BOLT (256-12249-00) | 2 | | |
| 18 | 92901-06200 | WASHER, plain | 6 | | |
| 19 | 341-12217-03 | ROD | 1 | | |
| 20 | 90501-14095 | SPRING (341-12216-02) | 1 | | |
| 21 | 341-12232-01 | DAMPER | 1 | | |
| 22 | 90109-18307 | BOLT (341-12228-00) | 1 | | |
| 23 | 93210-21190 | O-RING (2.6-20.6) | 1 | | |
| 24 | 90176-18021 | NUT, cap | 1 | | |
| 25 | 256-12231-01 | GUIDE, stopper 1 | 1 | | |
| 26 | 90430-06014 | GASKET (256-11396-00) | 2 | | |
| 27 | 97303-06020 | BOLT, hexagon | 2 | | |
| 28 | 94562-19106 | CHAIN (DK219FT 106L) | } U.R 1 | DAIDO | |
| | 94500-02106 | CHAIN (DK002 106L) | | TSUBAKIMOTO | |
| 29 | 94662-19001 | . JOINT, chain | } U.R 1 | DAIDO | |
| | 94600-02001 | . JOINT, chain | | TSUBAKIMOTO | |
| 30 | 256-81653-10 | GOVERNOR ASS'Y | 1 | | |

Fig. 5 CAMSHAFT · CHAIN TENSIONER



| Ref. No. | Parts No. | Description | Q'ty | Applicable Machine No. | Remarks |
|----------|--------------|-------------------------------|------|---------------------------|---------|
| 5-31 | 256-81651-10 | CAM | 1 | | |
| 32 | 447-81620-10 | BREAKER PLATE ASS'Y | 1 | | |
| 33 | 256-81621-11 | . CONTACT BREAKER | 2 | | |
| 34 | 256-81631-10 | . LUBRICATOR | 2 | | |
| 35 | 256-81615-10 | . WIRE, lead | 1 | | |
| 36 | 110-81345-20 | . SCREW, panhead (M4-6) | 6 | | |
| 37 | 92901-04100 | . WASHER, spring | 6 | | |
| 38 | 92901-04200 | . WASHER, plain | 6 | | |

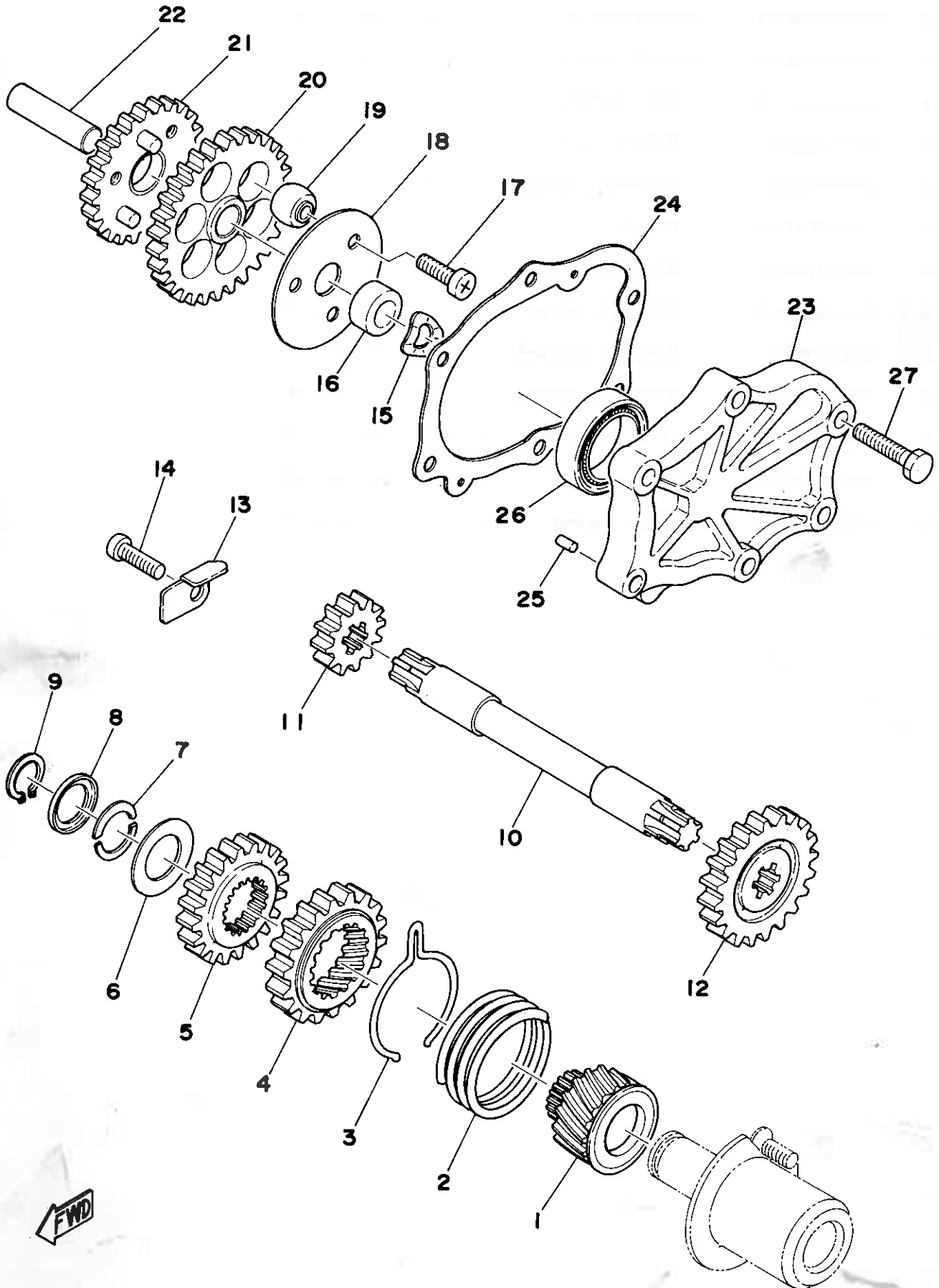
Fig. 6 A. C. GENERATOR



FWD

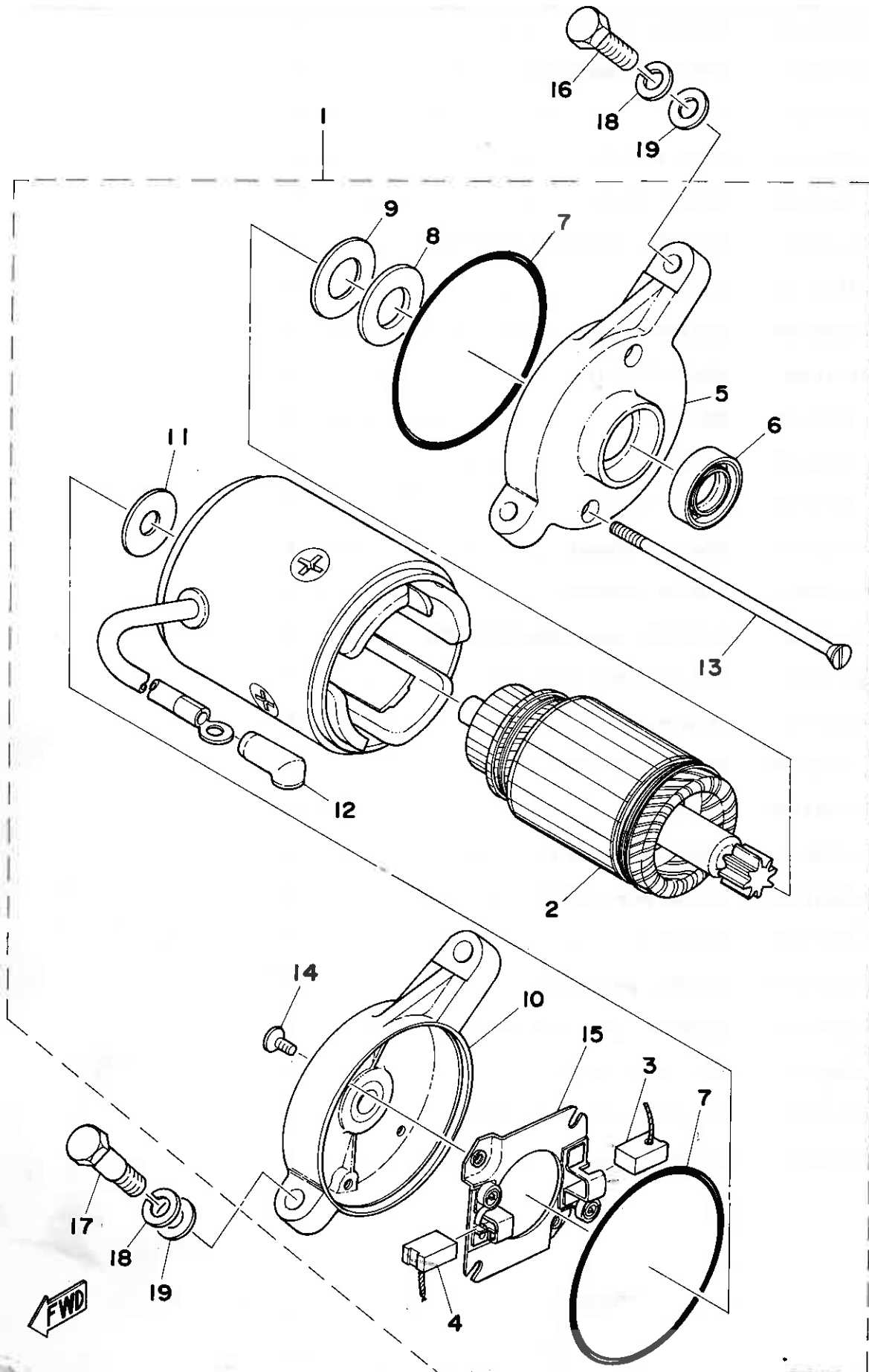
| Ref. No. | Parts No. | Description | Q'ty | Applicable Machine No. | Remarks |
|----------|--------------|-----------------------|------|---------------------------|---------|
| 6- 1 | 306-81600-12 | A. C. GENERATOR ASS'Y | 1 | | |
| 2 | 256-81650-11 | . ROTOR ASS'Y | 1 | | |
| 3 | 306-81610-11 | . STATOR ASS'Y | 1 | | |
| 4 | 256-81614-10 | . . PROTECTOR | 1 | | |
| 5 | 98501-04008 | . . SCREW, panhead | 2 | | |
| 6 | 92901-04100 | . . WASHER, spring | 2 | | |
| 7 | 256-81611-11 | . . BRUSH 1 | 1 | | |
| 8 | 256-81612-11 | . . BRUSH 2 | 1 | | |
| 9 | 256-81613-10 | . . HOLDER, brush 1 | 1 | | |
| 10 | 98501-04012 | . . SCREW, panhead | 4 | | |
| 11 | 92901-04100 | . . WASHER, spring | 4 | | |
| 12 | 95301-04600 | . . NUT, hexagon | 1 | | |
| 13 | 92501-06075 | SCREW, panhead | 2 | | |
| 14 | 92901-06100 | WASHER, spring | 2 | | |

Fig. 7 STARTING MOTOR UNIT



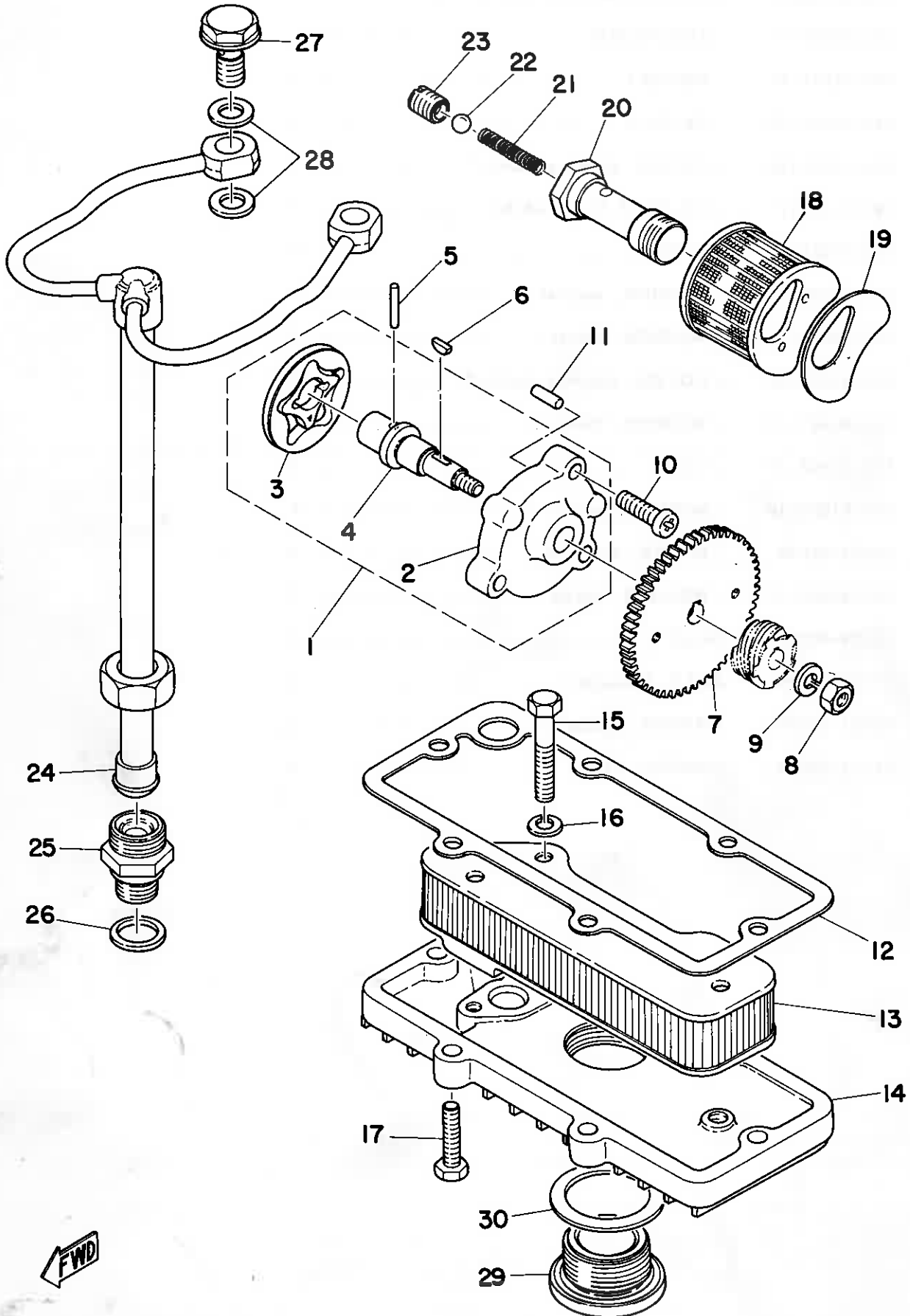
| Ref. No. | Parts No. | Description | Q'ty | Applicable Machine No. | Remarks |
|----------|--------------|------------------------------|------|------------------------|---------|
| 7- 1 | 306-15524-00 | WHEEL, starter | 1 | | |
| 2 | 90501-15409 | SPRING, compression | 1 | | |
| 3 | 90468-29062 | CLIP | 1 | | |
| 4 | 447-15516-00 | GEAR 4 (25T) | 1 | | |
| 5 | 306-15515-00 | GEAR 3 (23T) | 1 | | |
| 6 | 90201-17257 | WASHER, plate (306-15561-00) | 1 | | |
| 7 | 306-15562-00 | CLIP | 2 | | |
| 8 | 306-15563-00 | HOLDER, clip | 1 | | |
| 9 | 93410-17008 | CIRCLIP (S-17) | 1 | | |
| 10 | 306-15522-00 | SHAFT 2 | 1 | | |
| 11 | 306-15514-00 | GEAR 2 (14T) | 1 | | |
| 12 | 306-15513-00 | GEAR 1 (24T) | 1 | | |
| 13 | 447-15531-00 | PLATE, stopper | 1 | | |
| 14 | 92501-06020 | SCREW, panhead | 1 | | |
| 15 | 90206-12034 | WASHER, wave (826-18195-00) | 1 | | |
| 16 | 90387-12093 | COLLAR (306-15541-00) | 1 | | |
| 17 | 92501-06018 | SCREW, panhead | 3 | | |
| 18 | 306-15532-00 | PLATE, idle gear | 1 | | |
| 19 | 306-15571-00 | ABSORBER | 6 | | |
| 20 | 306-15512-00 | GEAR, idle 1 (36T) | 1 | | |
| 21 | 306-15517-00 | GEAR, idle 2 (26T) | 1 | | |
| 22 | 306-15521-00 | SHAFT 1 | 1 | | |
| 23 | 306-15431-00 | COVER, gear train | 1 | | |
| 24 | 306-15452-00 | GASKET, gear train cover | 1 | | |
| 25 | 93604-08071 | PIN, dowel (4-8) | 2 | | |
| 26 | 93102-34095 | OIL SEAL (SD-34-46-10.5) | 1 | | |
| 27 | 97301-06025 | BOLT, hexagon | 6 | | |

Fig. 8 STARTING MOTOR



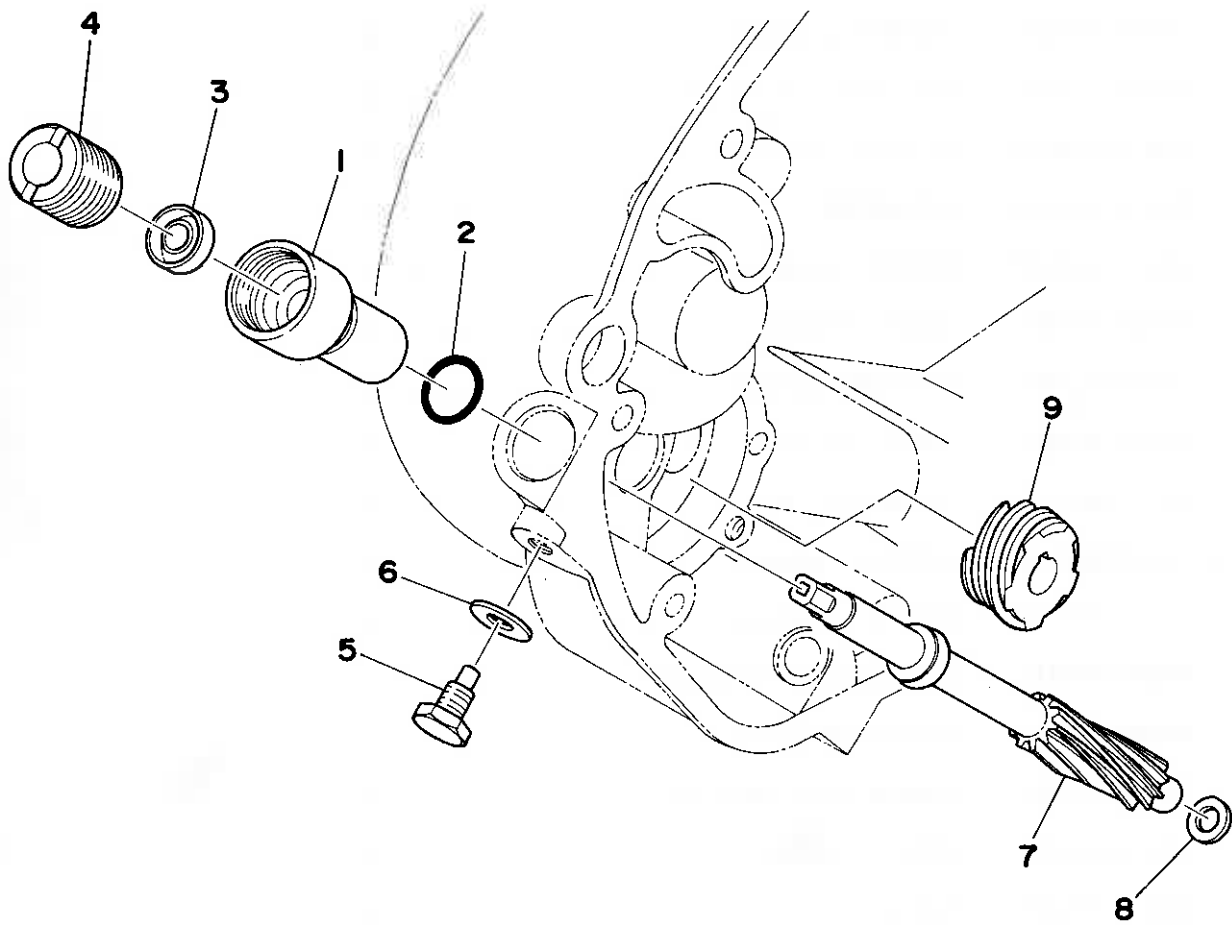
| Ref. No. | Parts No. | Description | Q'ty | Applicable Machine No. | Remarks |
|----------|--------------|---------------------------------|------|---------------------------|---------|
| 8- 1 | 306-81800-12 | STARTING MOTOR ASS'Y | 1 | | |
| 2 | 306-81850-11 | . ARMATURE | 1 | | |
| 3 | 306-81811-10 | . BRUSH 1 | 1 | | |
| 4 | 306-81812-10 | . BRUSH 2 | 1 | | |
| 5 | 306-81825-10 | . COVER, starting motor 1 | 1 | | |
| 6 | 93101-17047 | . OIL SEAL (S-17-28-8) | 1 | | |
| 7 | 306-81827-10 | . O-RING | 2 | | |
| 8 | 306-81893-10 | . WASHER, special | 1 | | |
| 9 | 306-81828-10 | . WASHER, thrust 1 | 1 | | |
| 10 | 306-81826-10 | . COVER, starting motor 2 | 1 | | |
| 11 | 306-81829-10 | . WASHER, thrust 2 | 2 | | |
| 12 | 306-81862-10 | . CAP | 1 | | |
| 13 | 306-81823-10 | . SCREW, special | 2 | | |
| 14 | 98701-04010 | . SCREW, flathead | 2 | | |
| 15 | 306-81840-10 | . HOLDER, brush | 1 | | |
| 16 | 90109-08393 | BOLT | 2 | | |
| 17 | 97321-08035 | BOLT, hexagon | 2 | | |
| 18 | 92901-08100 | WASHER, spring | 4 | | |
| 19 | 92901-08200 | WASHER, plain | 4 | | |

Fig. 9 OIL PUMP



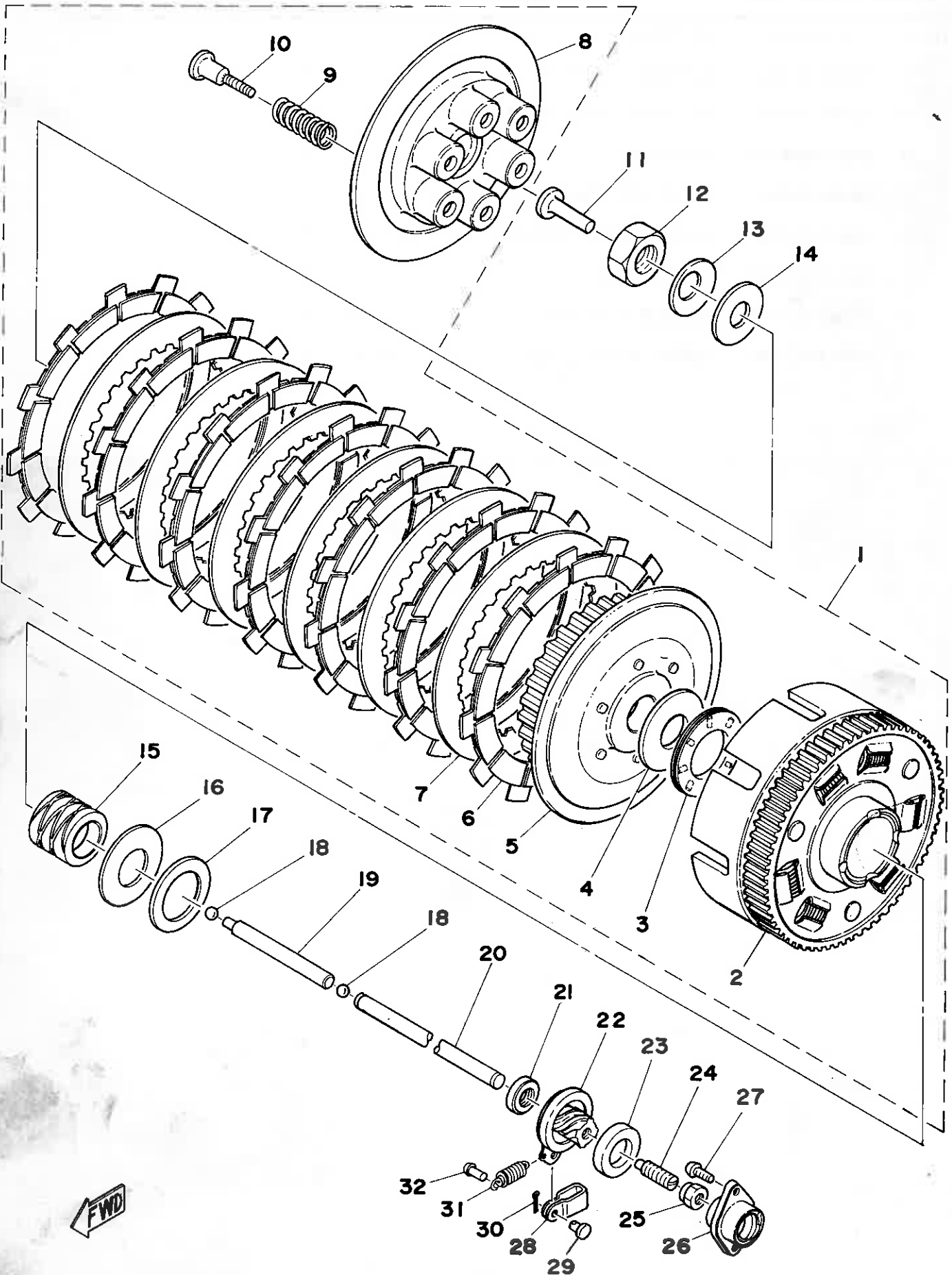
| Ref. No. | Parts No. | Description | Q'ty | Applicable Machine No. | Remarks |
|----------|--------------|------------------------------|------|------------------------|---------|
| 9- 1 | 256-00001-01 | ROTOR AND SHAFT ASS'Y | 1s | | |
| 2 | 256-13316-02 | . COVER, pump | 1 | | |
| 3 | 256-13310-02 | . ROTOR ASS'Y | 1 | | |
| 4 | 256-13314-02 | . SHAFT | 1 | | |
| 5 | 93603-17070 | PIN, dowel (3-16.8) | 1 | | |
| 6 | 90280-03023 | KEY, woodruff (256-13334-00) | 1 | | |
| 7 | 256-13325-00 | GEAR, driven (43T) | 1 | | |
| 8 | 95301-06600 | NUT, hexagon | 1 | | |
| 9 | 92901-06100 | WASHER, spring | 1 | | |
| 10 | 92501-06020 | SCREW, panhead | 3 | | |
| 11 | 93604-12037 | PIN, dowel (4-11.8) | 2 | | |
| 12 | 256-13414-00 | GASKET, strainer | 1 | | |
| 13 | 256-13411-01 | STRAINER | 1 | | |
| 14 | 256-13417-00 | COVER, strainer | 1 | | |
| 15 | 97301-06045 | BOLT, hexagon | 3 | | |
| 16 | 92901-06100 | WASHER, spring | 3 | | |
| 17 | 97301-06025 | BOLT, hexagon | 6 | | |
| 18 | 256-13441-00 | ELEMENT, oil | 1 | | |
| 19 | 256-13445-00 | GASKET, element | 1 | | |
| 20 | 256-13495-00 | SCREW, element | 1 | | |
| 21 | 90501-07031 | SPRING (256-13494-00) | 1 | | |
| 22 | 93501-04011 | BALL (1/4 inch) | 1 | | |
| 23 | 90149-10019 | SCREW (256-13493-00) | 1 | | |
| 24 | 256-13161-01 | PIPE, delivery 1 | 1 | | |
| 25 | 256-13165-02 | BOLT, banjo 1 | 1 | | |
| 26 | 90430-14043 | GASKET (256-13167-00) | 1 | | |
| 27 | 90401-10004 | BOLT (256-13166-00) | 2 | | |
| 28 | 90430-10027 | GASKET (256-13168-00) | 4 | | |
| 29 | 256-15351-00 | PLUG, drain | 1 | | |
| 30 | 256-15353-00 | GASKET, drain plug | 1 | | |

Fig.10 TACHOMETER GEAR



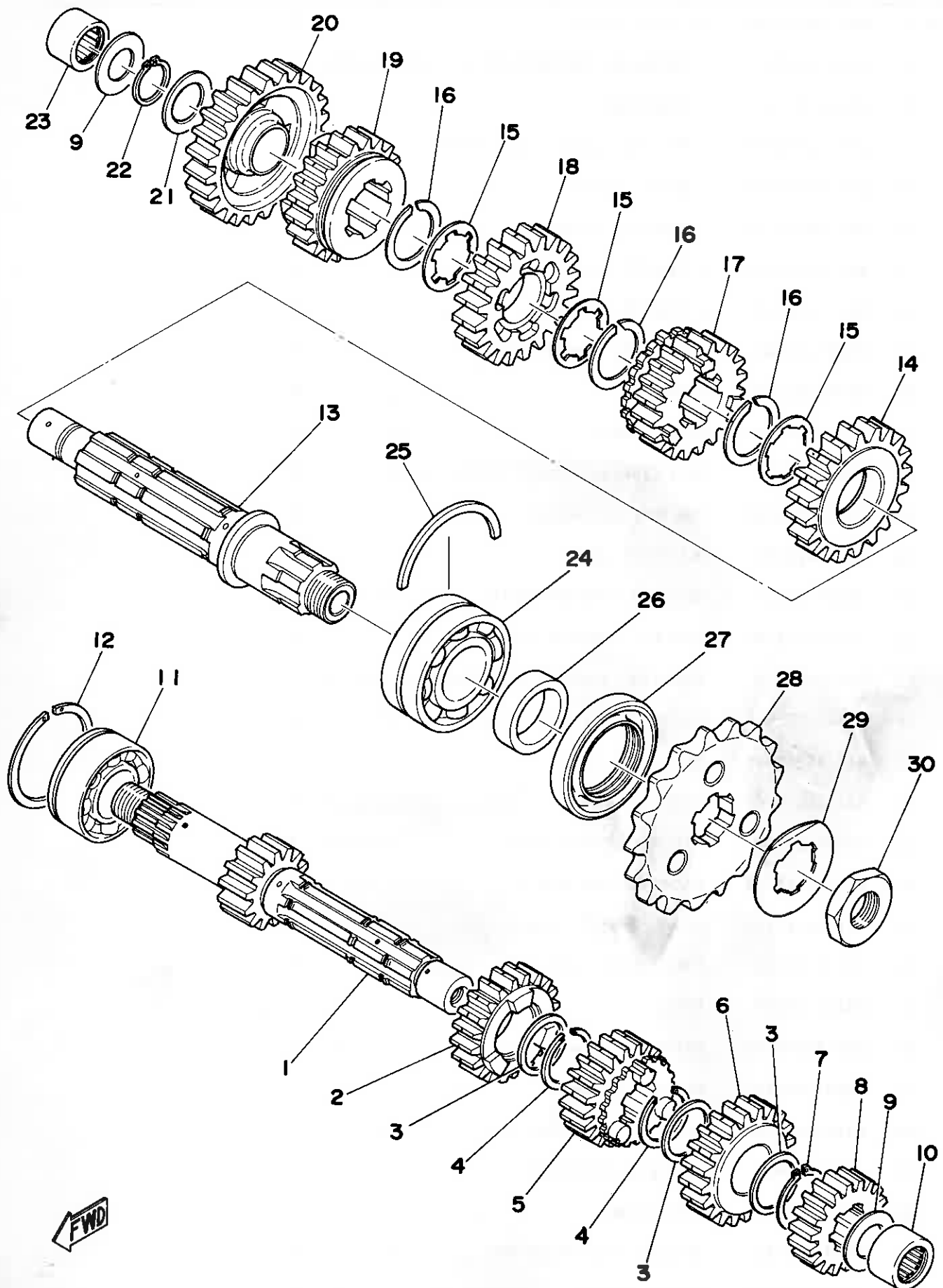
| Ref. No. | Parts No. | Description | Qty | Applicable Machine No. | Remarks |
|----------|--------------|-----------------------------|-----|------------------------|---------|
| 10- 1 | 256-17811-01 | HOUSING | 1 | | |
| 2 | 93210-12154 | O-RING (1.3-11.5) | 1 | | |
| 3 | 93104-07036 | OIL SEAL (SO-7-13-4) | 1 | | |
| 4 | 256-17848-00 | ADAPTER | 1 | | |
| 5 | 90109-06076 | BOLT (256-17867-00) | 1 | | |
| 6 | 90430-06014 | GASKET (256-11396-00) | 1 | | |
| 7 | 256-17841-01 | GEAR, driven | 1 | | |
| 8 | 256-17837-00 | SHIM (8.2-12-1.0) | 1 | | |
| 9 | 256-17831-00 | GEAR, drive | 1 | | |

Fig. 11 CLUTCH



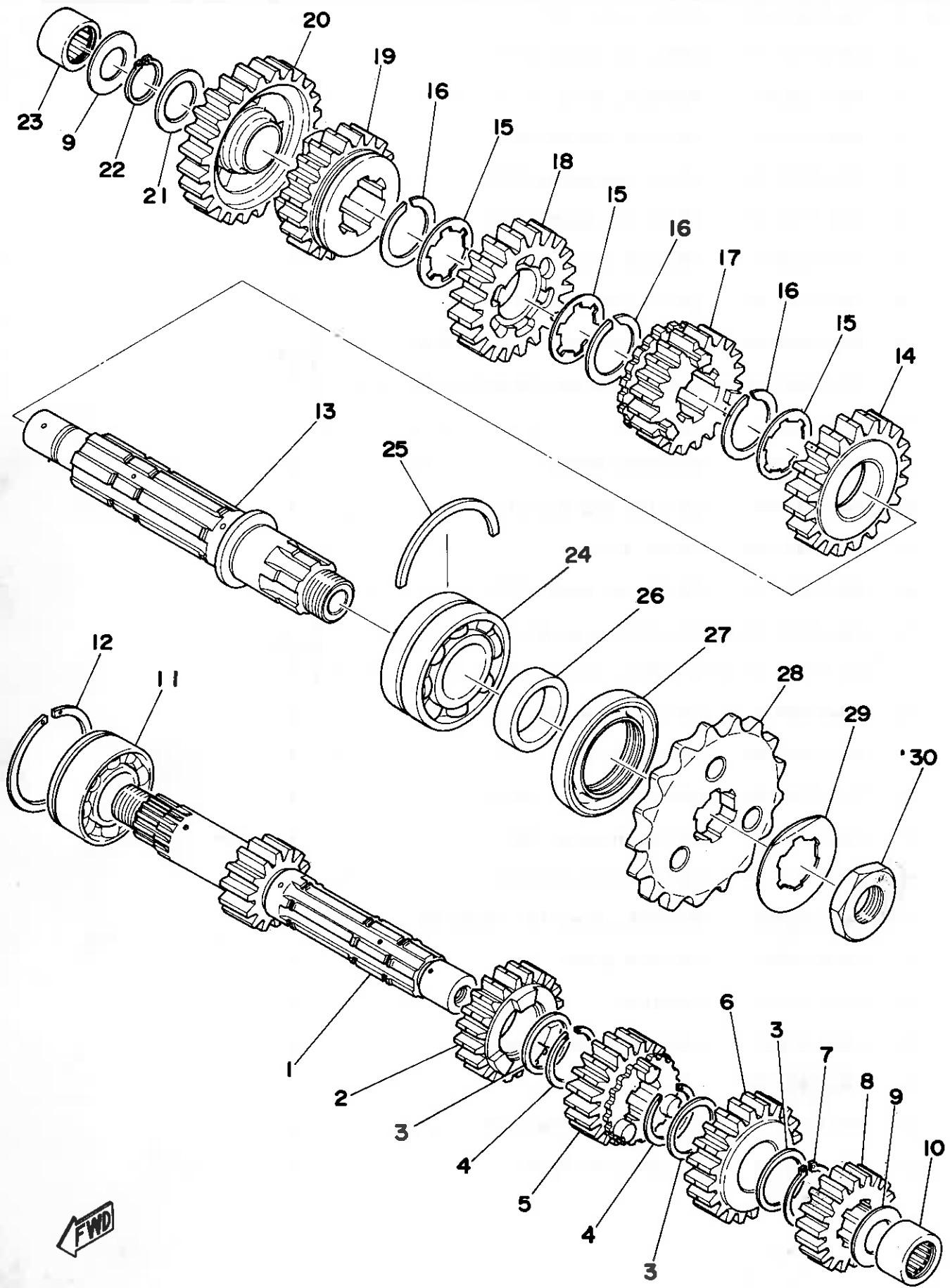
| Ref. No. | Parts No. | Description | Q'ty | Applicable Machine No. | Remarks |
|----------|--------------|---|------|---------------------------|---------|
| 11- 1 | 447-16301-00 | CLUTCH ASS'Y | 1 | | |
| 2 | 256-16150-01 | . PRIMARY DRIVEN GEAR COMP. (72T) | 1 | | |
| 3 | 93341-23504 | . BEARING | 1 | | |
| 4 | 170-16164-00 | . PLATE, thrust 2 (25-50-2) | 1 | | |
| 5 | 341-16371-01 | . BOSS, clutch | 1 | | |
| 6 | 341-16321-13 | . PLATE, friction 1 | 7 | | |
| 7 | 341-16325-01 | . PLATE, clutch | 6 | | |
| 8 | 341-16351-01 | . PLATE, pressure | 1 | | |
| 9 | 90501-26148 | . SPRING, compression | 6 | | |
| 10 | 90149-06102 | . SCREW | 6 | | |
| 11 | 256-16356-00 | ROD, push 1 | 1 | | |
| 12 | 90170-18089 | NUT (156-16174-00) | 1 | | |
| 13 | 214-16119-00 | SPRING, belleville | 1 | | |
| 14 | 92901-18200 | WASHER, plain | 1 | | |
| 15 | 90560-25131 | SPACER (256-16181-01) | 1 | | |
| 16 | 170-16164-00 | PLATE, thrust 2 (25-50-2) | 1 | | |
| 17 | 90201-25290 | WASHER, plate (131-15653-00) | 1 | | |
| 18 | 93505-16006 | BALL (5/16 inch) | 2 | | |
| 19 | 447-16357-00 | ROD, push 2 | 1 | | |
| 20 | 341-16376-00 | ROD, push 3 | 1 | | |
| 21 | 93102-08118 | OIL SEAL (SD-8-25-6) | 1 | | |
| 22 | 447-16340-00 | PUSH LEVER ASS'Y | 1 | | |
| 23 | 214-16347-01 | SEAL, dust | 1 | | |
| 24 | 90113-08021 | BOLT (256-16343-01) | 1 | | |
| 25 | 90179-08179 | NUT | 1 | | |
| 26 | 256-16396-01 | HOUSING, push screw | 1 | | |
| 27 | 98501-05012 | SCREW, panhead | 2 | | |
| 28 | 214-16389-00 | JOINT | 1 | | |
| 29 | 90240-06005 | PIN (214-16379-00) | 1 | | |
| 30 | 91401-10010 | PIN, cotter | 1 | | |
| 31 | 90506-10023 | SPRING (168-16345-00) | 1 | | |
| 32 | 132-16346-00 | HOOK, spring | 1 | | |

Fig.12 TRANSMISSION



| Ref. No. | Parts No. | Description | Q'ty | Applicable Machine No. | Remarks |
|----------|-----------------|-----------------------------------|------|------------------------|---------|
| 12- 1 | 306-17411-00 | AXLE, main (13T) | 1 | | |
| 2 | 256-17141-01 | GEAR, 4th pinion (21T) | 1 | | |
| 3 | 90201-25287 | WASHER, plate | 3 | | |
| 4 | 93440-25020 | CIRCLIP (25 ϕ special) | 2 | | |
| 5 | 256-17131-03 | GEAR, 3rd pinion (20T) | 1 | | |
| 6 | 341-17151-03 | GEAR, 5th pinion (23T) | 1 | | |
| 7 | 93410-25017 | CIRCLIP (S-25) | 1 | | |
| 8 | 256-17121-00 | GEAR, 2nd pinion (17T) | 1 | | |
| 9 | 137-17427-00-06 | SHIM, drive axle (20.2-33-0.6) | 2 | U.R | |
| | 137-17427-00-10 | SHIM, drive axle (20.2-33-1.0) | | | |
| 10 | 93313-32007 | BEARING | 1 | | |
| 11 | 93305-20504 | BEARING (B5205) | 1 | | |
| 12 | 93440-52014 | CIRCLIP (52 ϕ special) | 1 | | |
| 13 | 256-17421-00 | AXLE, drive | 1 | | |
| 14 | 256-17221-01 | GEAR, 2nd wheel (27T) | 1 | | |
| 15 | 256-17236-00-10 | WASHER, gear hold 3 (26.2-34-1.0) | 3 | U.R | |
| | 256-17236-00-12 | WASHER, gear hold 3 (26.2-34-1.2) | | | |
| 16 | 93440-30015 | CIRCLIP (30 ϕ special) | 3 | | |
| 17 | 256-17251-03 | GEAR, 5th wheel (22T) | 1 | | |
| 18 | 256-17231-03 | GEAR, 3rd wheel (26T) | 1 | | |
| 19 | 256-17241-01 | GEAR, 4th wheel (23T) | 1 | | |
| 20 | 306-17211-00 | GEAR, 1st wheel (32T) | 1 | | |
| 21 | 90201-20266 | WASHER, plate (132-17216-00) | 1 | | |
| 22 | 93410-20021 | CIRCLIP (S-20) | 1 | | |
| 23 | 93313-32005 | BEARING | 1 | | |
| 24 | 93305-20602 | BEARING (B5206 special) | 1 | | |
| 25 | 168-17424-00 | CIRCLIP | 1 | | |
| 26 | 90387-30200 | COLLAR (256-17462-00) | 1 | | |
| 27 | 93105-40018 | OIL SEAL (40-62-9) | 1 | | |

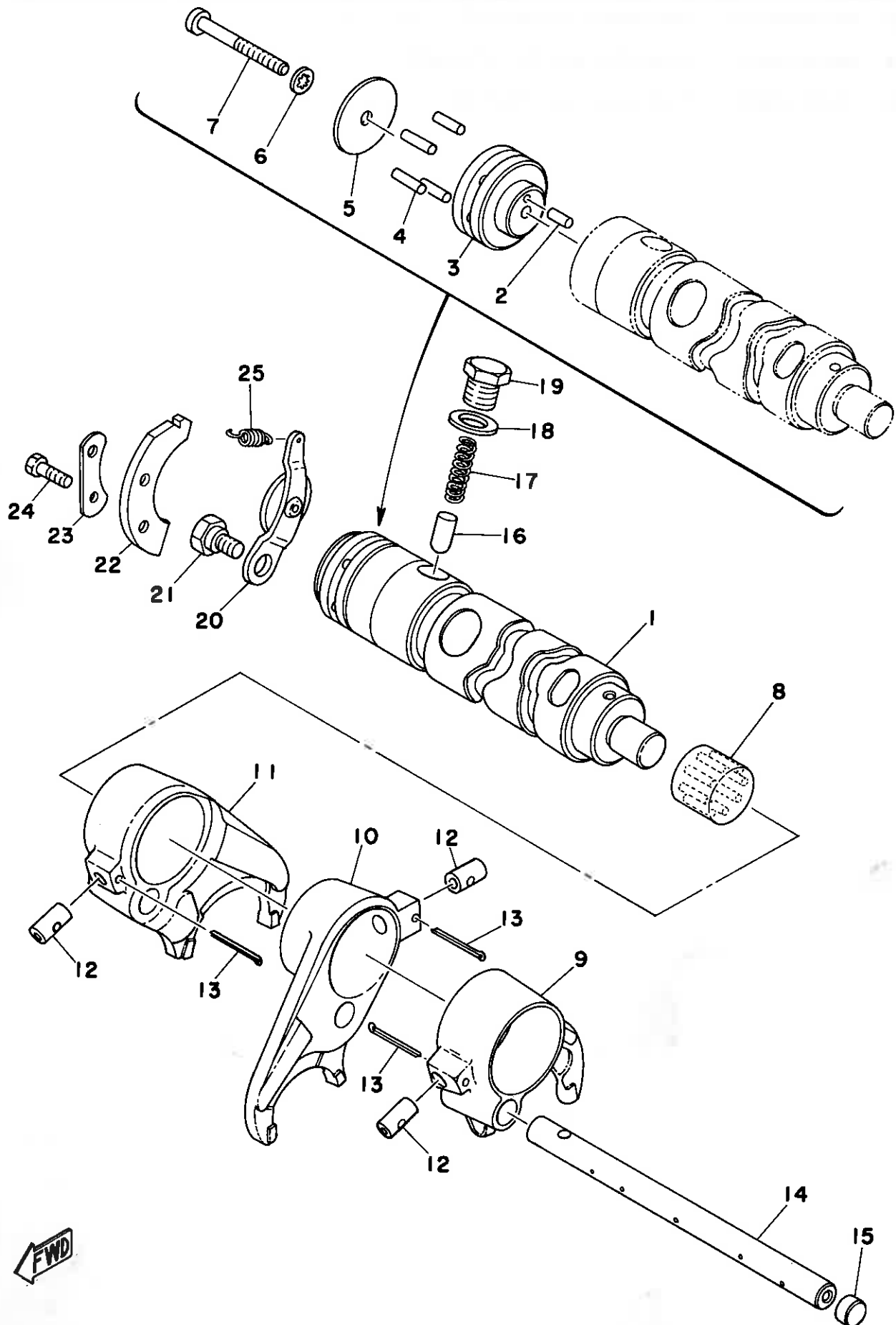
Fig.12 TRANSMISSION



FWD

| Ref. No. | Parts No. | Description | Q'ty | Applicable Machine No. | Remarks |
|----------|--------------|-----------------------------|-------|---------------------------|---------|
| 12-28 | 256-17461-70 | SPROCKET, drive (17T) | | 1 | |
| 29 | 90215-26024 | WASHER, lock (256-17464-00) | | 1 | |
| 30 | 90179-22022 | NUT, lock (256-17463-00) | | 1 | |

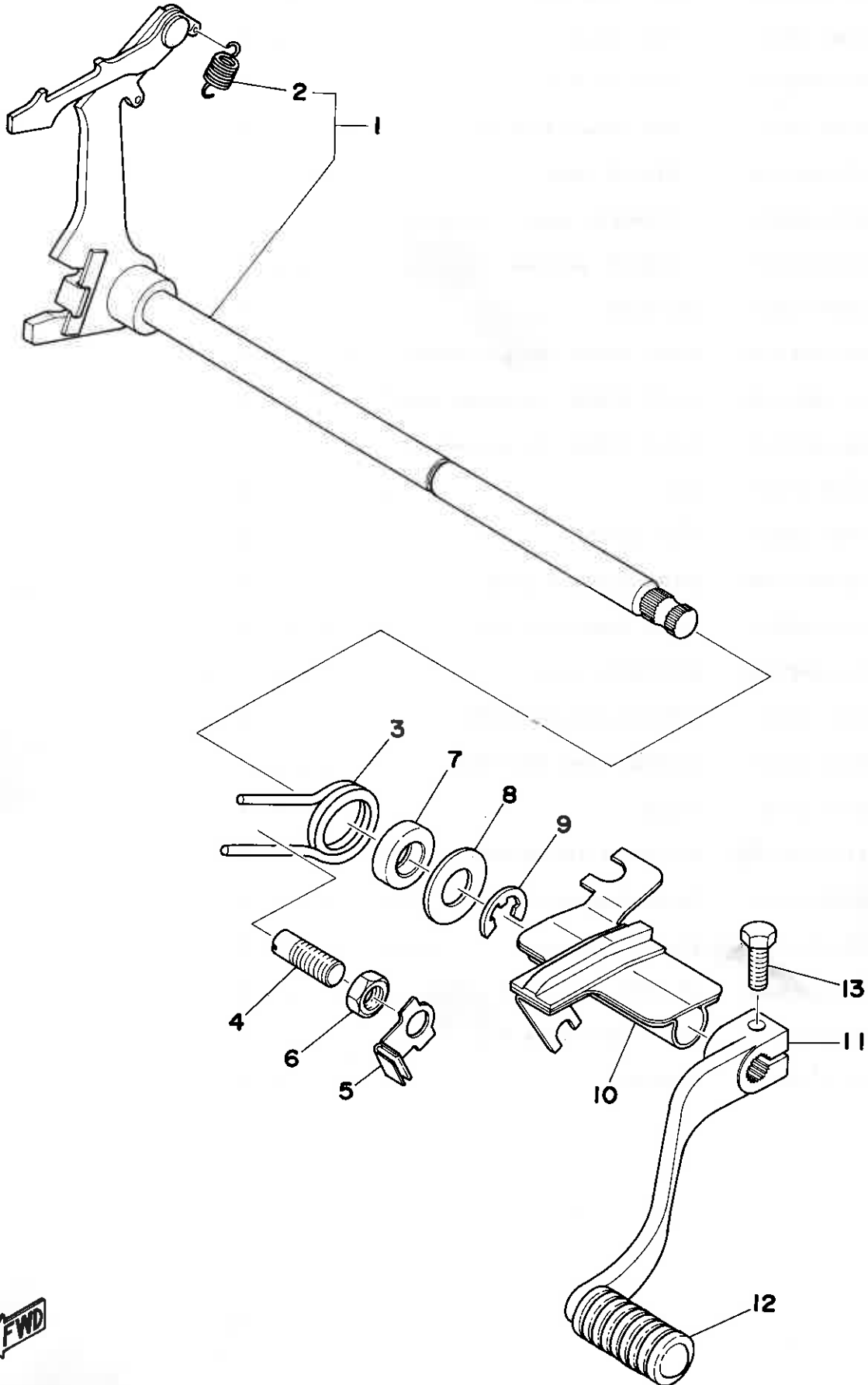
Fig. 13 SHIFTER 1



FWD

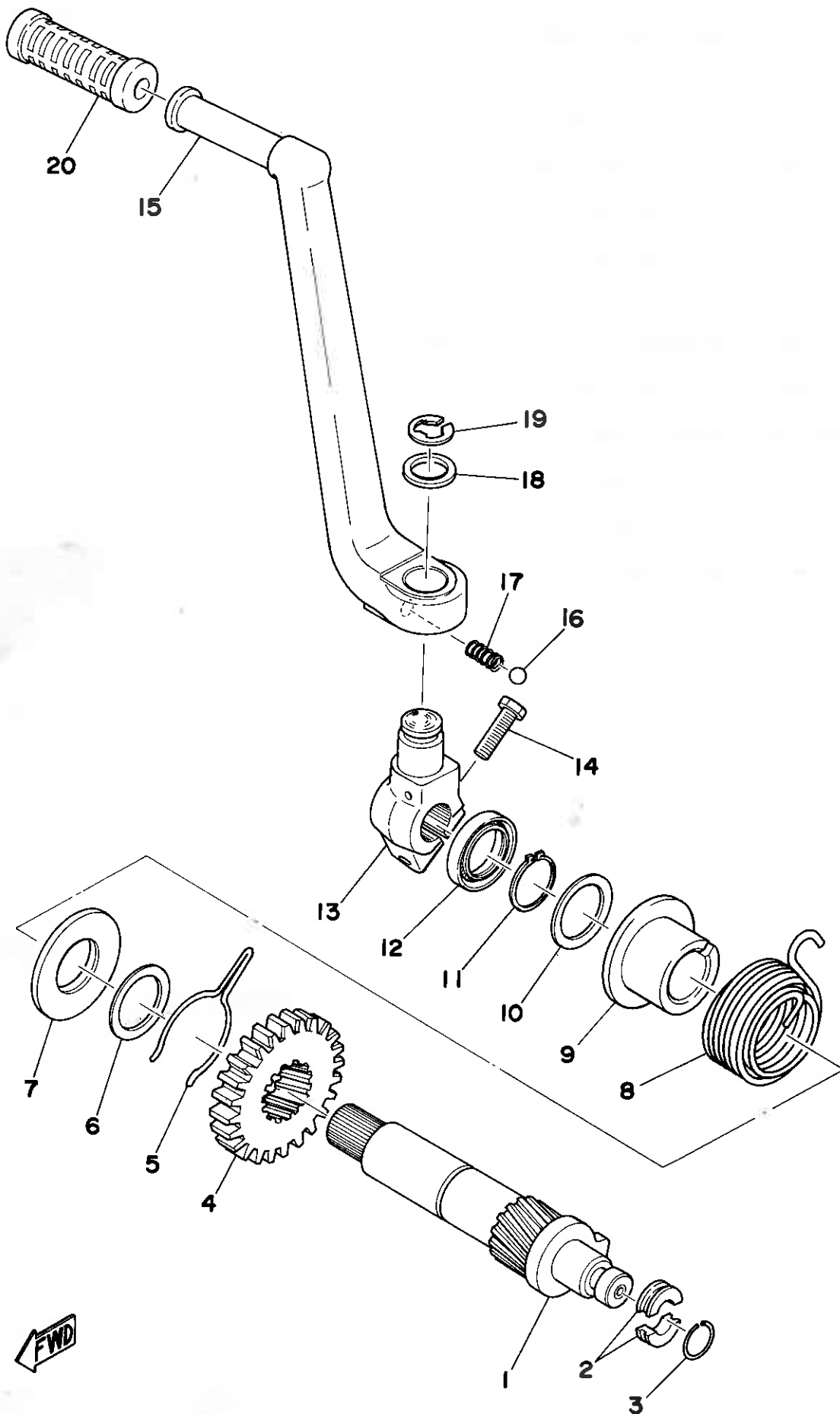
| Ref. No. | Parts No. | Description | Q'ty | Applicable Machine No. | Remarks |
|----------|--------------|-----------------------------------|------|---------------------------|---------|
| 13- 1 | 306-18540-01 | SHIFT CAM ASS'Y | 1 | | |
| 2 | 93604-10011 | . PIN, dowel | 2 | | |
| 3 | 306-18546-01 | . CAM, shift 2 | 1 | | |
| 4 | 93604-14012 | . PIN, dowel (4-13.8) | 4 | | |
| 5 | 447-18561-00 | . PLATE, side | 1 | | |
| 6 | 92901-05300 | . WASHER, tooth | 1 | | |
| 7 | 98501-05030 | . SCREW, panhead | 1 | | |
| 8 | 93320-31501 | BEARING | 1 | | |
| 9 | 256-18511-00 | SHIFT FORK, 5th gear wheel | 1 | | |
| 10 | 256-18512-00 | SHIFT FORK, 3rd pinion gear | 1 | | |
| 11 | 256-18513-00 | SHIFT FORK, 4th gear wheel | 1 | | |
| 12 | 90249-08122 | PIN | 3 | | |
| 13 | 91401-25025 | PIN, cotter | 3 | | |
| 14 | 256-18531-00 | BAR, shift fork guide | 1 | | |
| 15 | 90334-10007 | PLUG (256-15439-00) | 1 | | |
| 16 | 136-18547-00 | STOPPER, cam | 1 | | |
| 17 | 90501-10068 | SPRING (306-18558-00) | 1 | | |
| 18 | 90430-16047 | GASKET (256-18567-00) | 1 | | |
| 19 | 90109-16392 | BOLT | 1 | | |
| 20 | 341-18140-00 | STOPPER LEVER ASS'Y | 1 | | |
| 21 | 90109-06181 | BOLT (256-18177-00) | 1 | | |
| 22 | 256-18562-00 | PLATE, stopper | 1 | | |
| 23 | 256-18565-00 | PLATE, screw lock | 1 | | |
| 24 | 90101-06091 | BOLT (341-18594-00) | 2 | | |
| 25 | 256-18143-02 | SPRING | 1 | | |

Fig. 14 SHIFTER 2



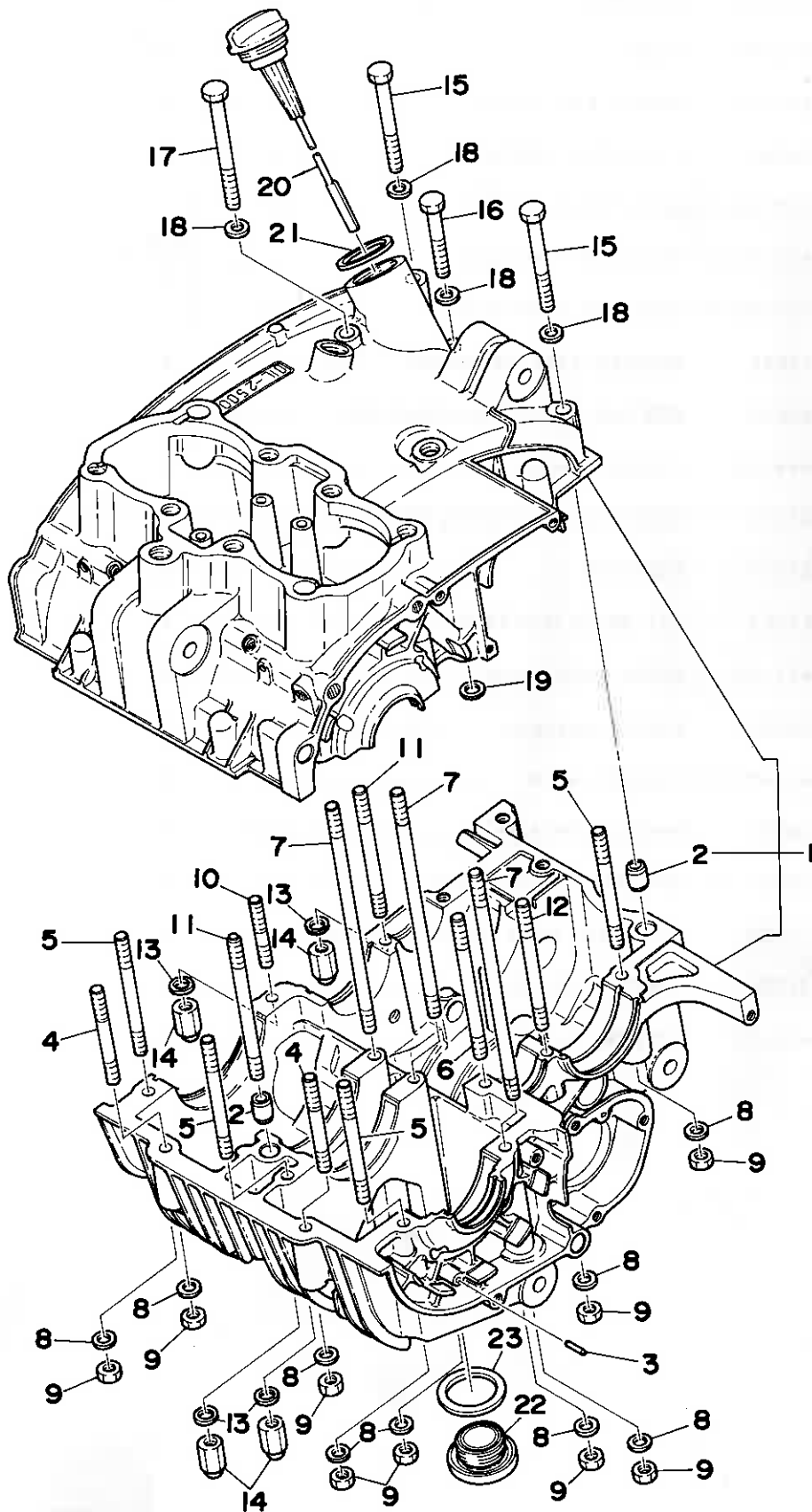
| Ref. No. | Parts No. | Description | Q'ty | Applicable Machine No. | Remarks |
|----------|-----------------|------------------------------------|------|---------------------------|---------|
| 14- 1 | 256-18101-02 | SHIFT SHAFT ASS'Y | 1 | | |
| 2 | 90506-08007 | . SPRING (168-18123-00) | 1 | | |
| 3 | 90508-32053 | SPRING (168-18124-00) | 1 | | |
| 4 | 90149-10018 | SCREW (168-18133-00) | 1 | | |
| 5 | 90215-10105 | WASHER, lock (306-18139-00) | 1 | | |
| 6 | 95301-10700 | NUT, hexagon | 1 | | |
| 7 | 93109-14010 | OIL SEAL (SDD-14-24-6) | 1 | | |
| 8 | 90201-14220 | WASHER, plate (248-18137-00) | 1 | | |
| 9 | 93430-12009 | CIRCLIP (E-12) | 1 | | |
| 10 | 447-17467-02 | GUIDE, chain | 1 | | |
| 11 | 256-18111-00-93 | PEDAL, shift | 1 | | |
| 12 | 132-18113-01 | COVER, shift pedal | 1 | | |
| 13 | 97321-06020 | BOLT, hexagon | 1 | | |

Fig. 15 KICK STARTER



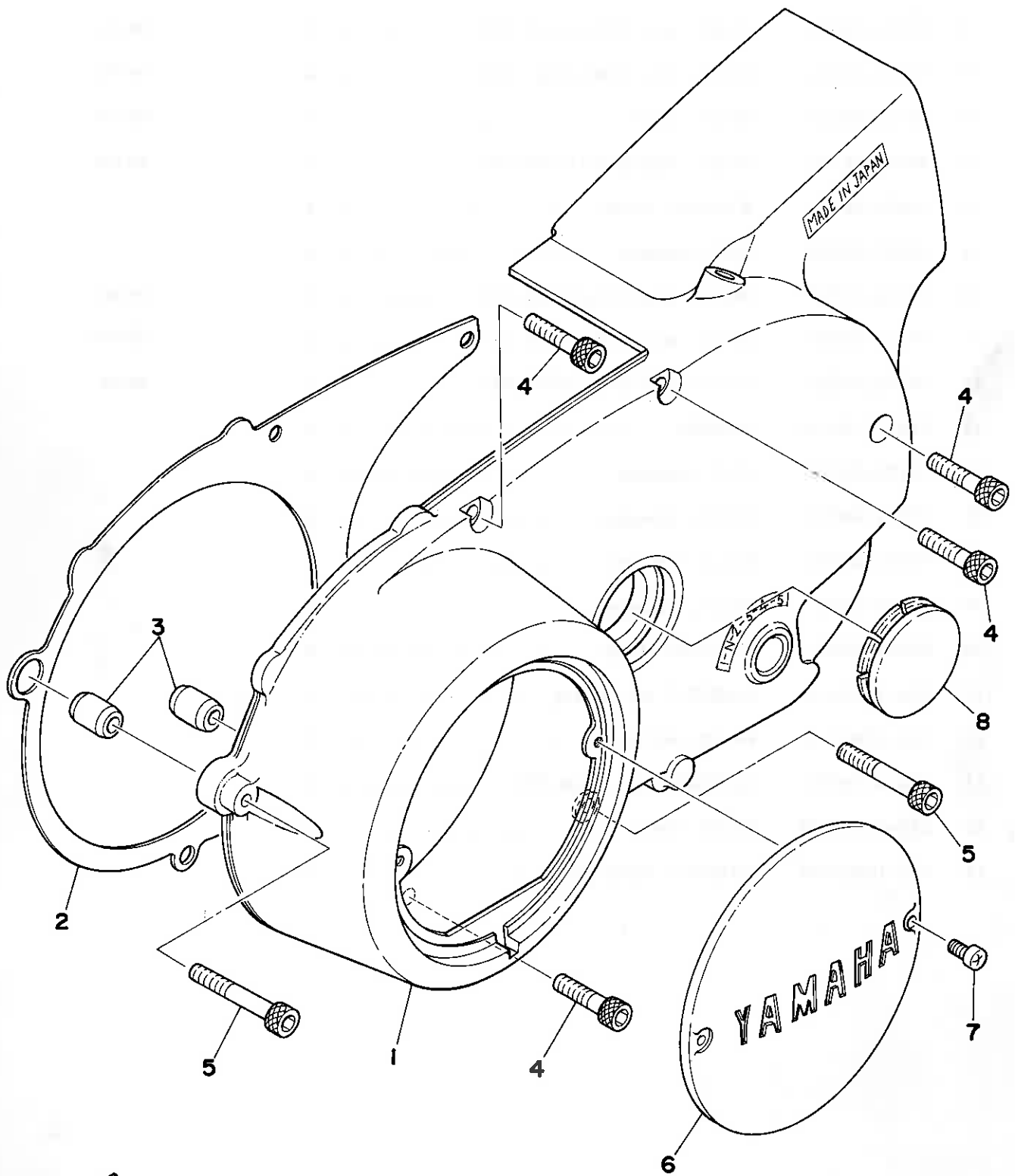
| Ref. No. | Parts No. | Description | Q'ty | Applicable Machine No. | Remarks |
|----------|-----------------|------------------------------------|------------|---------------------------|---------|
| 15- 1 | 256-15660-02 | KICK AXLE ASS'Y | 1 | | |
| 2 | 256-15654-00 | HOLDER | 2 | | |
| 3 | 256-15673-00 | CLIP | 1 | | |
| 4 | 306-15641-00 | GEAR, kick (25T) | 1 | | |
| 5 | 90468-26044 | CLIP (256-15687-00) | 1 | | |
| 6 | 611-45567-00-01 | SHIM (25.5-35-0.1) | } U.R 1 | | |
| | 611-45567-00-03 | SHIM (25.5-35-0.3) | | | |
| | 611-45567-00-05 | SHIM (25.5-35-0.5) | | | |
| 7 | 90560-25048 | SPACER (256-15666-00) | 1 | | |
| 8 | 90508-32062 | SPRING, kick (256-15665-00) | 1 | | |
| 9 | 256-15664-00 | GUIDE, spring | 1 | | |
| 10 | 90201-25290 | WASHER, plate (131-15653-00) | 2 | | |
| 11 | 93410-25017 | CIRCLIP | 1 | | |
| 12 | 93102-25064 | OIL SEAL (SD-25-35-7) | 1 | | |
| 13 | 341-15621-00 | BOSS, kick crank | 1 | | |
| 14 | 97321-08030 | BOLT, hexagon | 1 | | |
| 15 | 447-15611-00-93 | CRANK, kick | 1 | | |
| 16 | 93505-16006 | BALL (5/16 inch) | 1 | | |
| 17 | 90501-15091 | SPRING (168-15622-01) | 1 | | |
| 18 | 90201-17256 | WASHER, plate (256-15615-00) | 1 | | |
| 19 | 93430-12022 | CIRCLIP (E-12) | 1 | | |
| 20 | 214-15618-00 | COVER, kick lever | 1 | | |

Fig. 16 CRANKCASE



| Ref. No. | Parts No. | Description | Q'ty | Applicable Machine No. | Remarks |
|----------|--------------|---------------------------------|------|------------------------|---------|
| 16- 1 | 306-15100-03 | CRANKCASE ASS'Y | 1 | | |
| 2 | 91830-22016 | . PIN, dowel (8.4-12-16) | 2 | | |
| 3 | 93603-14026 | PIN, dowel (3-14) | 1 | | |
| 4 | 90116-08196 | BOLT, stud (256-15192-00) | 2 | | M8-76L |
| 5 | 90116-08064 | BOLT, stud (248-11361-00) | 4 | | M8-97L |
| 6 | 90116-08232 | BOLT, stud | 1 | | M8-116L |
| 7 | 90116-08199 | BOLT, stud (256-15196-00) | 3 | | M8-186L |
| 8 | 92901-08200 | WASHER, plain | 8 | | |
| 9 | 95301-08600 | NUT, hexagon | 8 | | |
| 10 | 90116-08047 | BOLT, stud (306-15192-00) | 1 | | M8-54L |
| 11 | 90116-08066 | BOLT, stud (306-15193-00) | 2 | | M8-103L |
| 12 | 90116-08055 | BOLT, stud (306-15197-00) | 1 | | M8-68L |
| 13 | 256-11198-00 | GASKET | 6 | | |
| 14 | 90176-08019 | NUT, hexagon | 6 | | |
| 15 | 97323-08075 | BOLT, hexagon | 2 | | |
| 16 | 97323-08055 | BOLT, hexagon | 1 | | |
| 17 | 97323-08090 | BOLT, hexagon | 1 | | |
| 18 | 92901-08200 | WASHER, plain | 4 | | |
| 19 | 256-15395-00 | GASKET, oil sealing | 1 | | |
| 20 | 256-15362-02 | PLUG, oil level | 1 | | |
| 21 | 90430-29050 | GASKET (256-15364-00) | 1 | | |
| 22 | 256-15351-00 | PLUG, drain | 1 | | |
| 23 | 256-15353-00 | GASKET, drain plug | 1 | | |

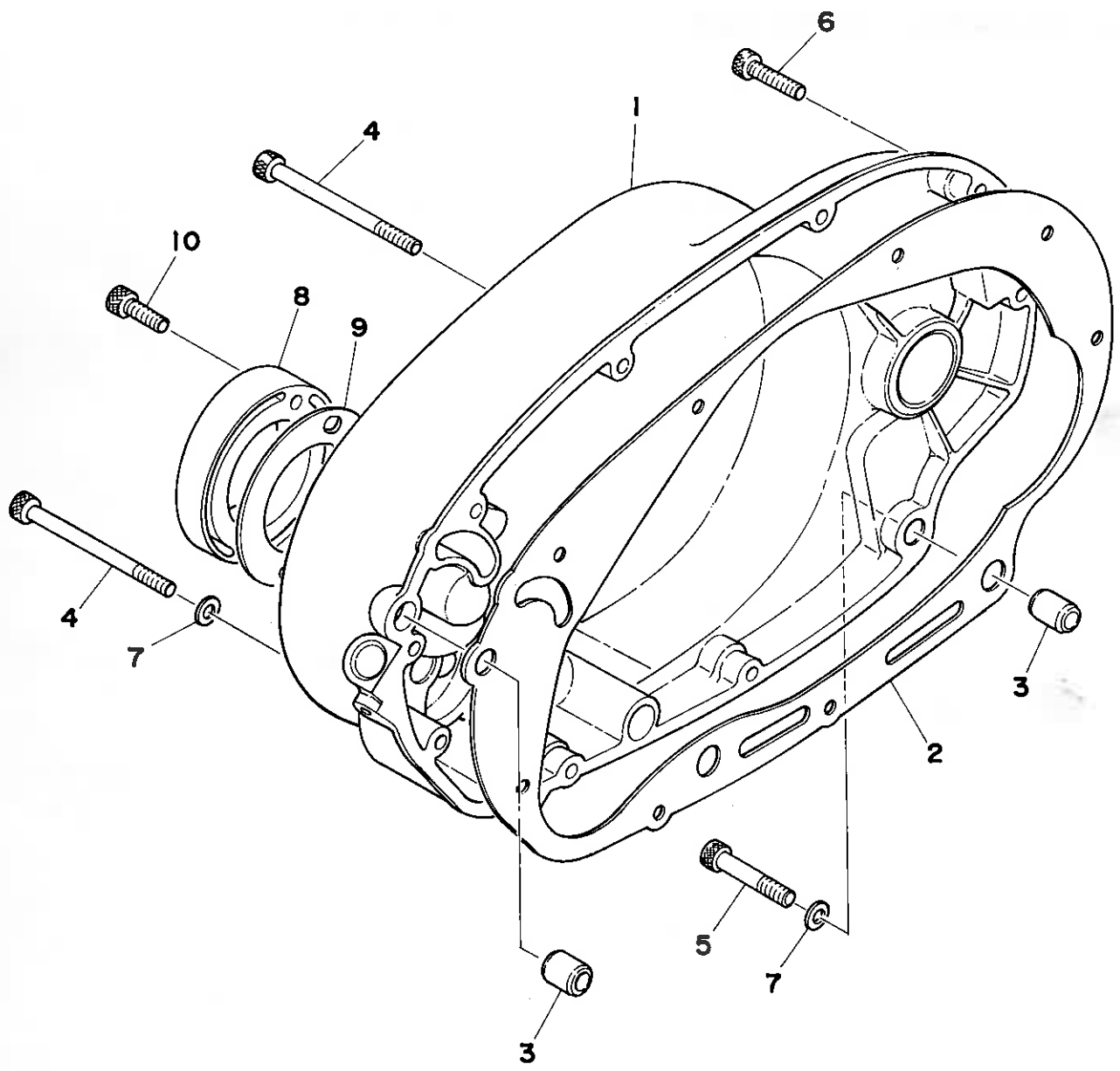
Fig. 17 CRANKCASE COVER (LEFT)



FWD

| Ref. No. | Parts No. | Description | Q'ty | Applicable Machine No. | Remarks |
|----------|--------------|------------------------------------|------|---------------------------|---------|
| 17- 1 | 584-15411-00 | COVER, crankcase left | 1 | | |
| 2 | 306-15461-00 | GASKET, crankcase cover left | 1 | | |
| 3 | 91830-22016 | PIN, dowel (8.4-12-16) | 2 | | |
| 4 | 91316-06025 | BOLT, hexagon socket head | 4 | | |
| 5 | 91316-06040 | BOLT, hexagon socket head | 2 | | |
| 6 | 256-15425-00 | COVER, generator | 1 | | |
| 7 | 98503-05010 | SCREW, panhead | 2 | | |
| 8 | 256-15417-01 | COVER, adjust | 1 | | |

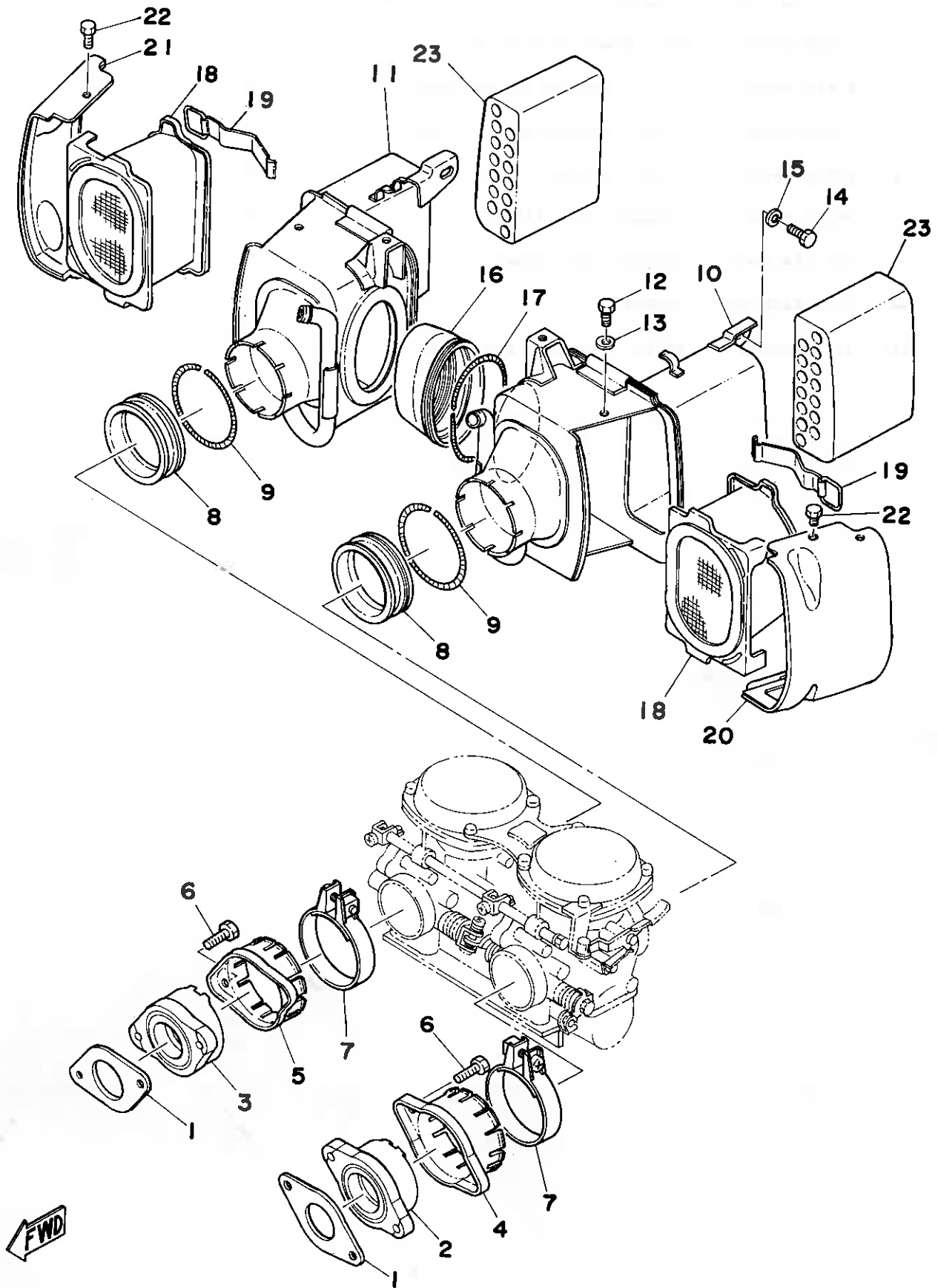
Fig. 18 CRANKCASE COVER(RIGHT)



FWD

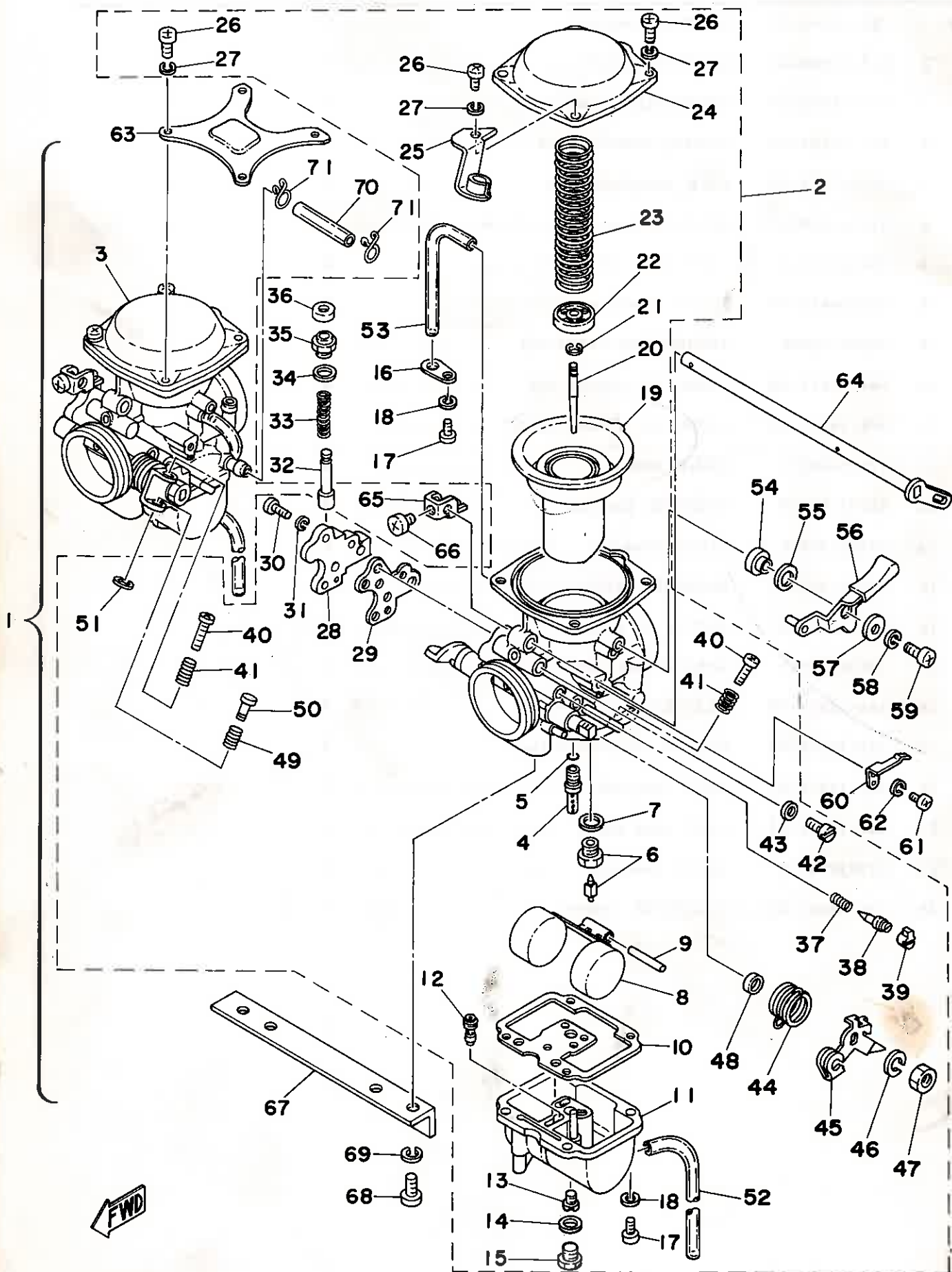
| Ref. No. | Parts No. | Description | Q'ty | Applicable Machine No. | Remarks |
|----------|--------------|-------------------------------|------|---------------------------|---------|
| 18- 1 | 256-15421-03 | COVER, crankcase right | 1 | | |
| 2 | 256-15451-00 | GASKET, crankcase cover right | 1 | | |
| 3 | 91830-22016 | PIN, dowel (8.4-12-16) | 2 | | |
| 4 | 91316-06075 | BOLT, hexagon socket head | 4 | | |
| 5 | 91316-06040 | BOLT, hexagon socket head | 1 | | |
| 6 | 91316-06025 | BOLT, hexagon socket head | 5 | | |
| 7 | 90430-06014 | GASKET (256-11396-00) | 4 | | |
| 8 | 256-15416-02 | COVER, oil cleaner | 1 | | |
| 9 | 256-15456-00 | GASKET | 1 | | |
| 10 | 91316-06025 | BOLT, hexagon socket head | 2 | | |

Fig. 19 INTAKE



| Ref. No. | Parts No. | Description | Q'ty | Applicable Machine No. | Remarks |
|----------|--------------|---------------------------|------|---------------------------|---------|
| 19- 1 | 256-13556-01 | GASKET, manifold | 2 | | |
| 2 | 447-13555-01 | MANIFOLD, left | 1 | | |
| 3 | 447-13565-01 | MANIFOLD, right | 1 | | |
| 4 | 447-13564-00 | COVER, manifold left | 1 | | |
| 5 | 447-13584-00 | PIPE, manifold right | 1 | | |
| 6 | 91316-06020 | BOLT, hexagon socket head | 4 | | |
| 7 | 90460-58015 | BAND (371-14456-00) | 2 | | |
| 8 | 341-14453-00 | JOINT, cleaner | 2 | | |
| 9 | 90506-06006 | SPRING (256-14487-00) | 2 | | |
| 10 | 584-14411-00 | CASE, air cleaner left | 1 | | |
| 11 | 584-14421-00 | CASE, air cleaner right | 1 | | |
| 12 | 97301-06016 | BOLT, hexagon | 4 | | |
| 13 | 92901-06200 | WASHER, plain | 4 | | |
| 14 | 97301-06025 | BOLT, hexagon | 2 | | |
| 15 | 92901-06100 | WASHER, spring | 2 | | |
| 16 | 447-14463-01 | JOINT, air cleaner | 1 | | |
| 17 | 90506-06095 | SPRING (288-14455-00) | 1 | | |
| 18 | 533-14451-00 | ELEMENT, air cleaner | 2 | | |
| 19 | 533-14468-02 | SPRING, element fitting | 2 | | |
| 20 | 447-14412-01 | CAP, case left | 1 | | |
| 21 | 447-14422-01 | CAP, case right | 1 | | |
| 22 | 97301-06010 | BOLT, hexagon | 2 | | |
| 23 | 533-14441-00 | SILENCER, intake | 2 | | |

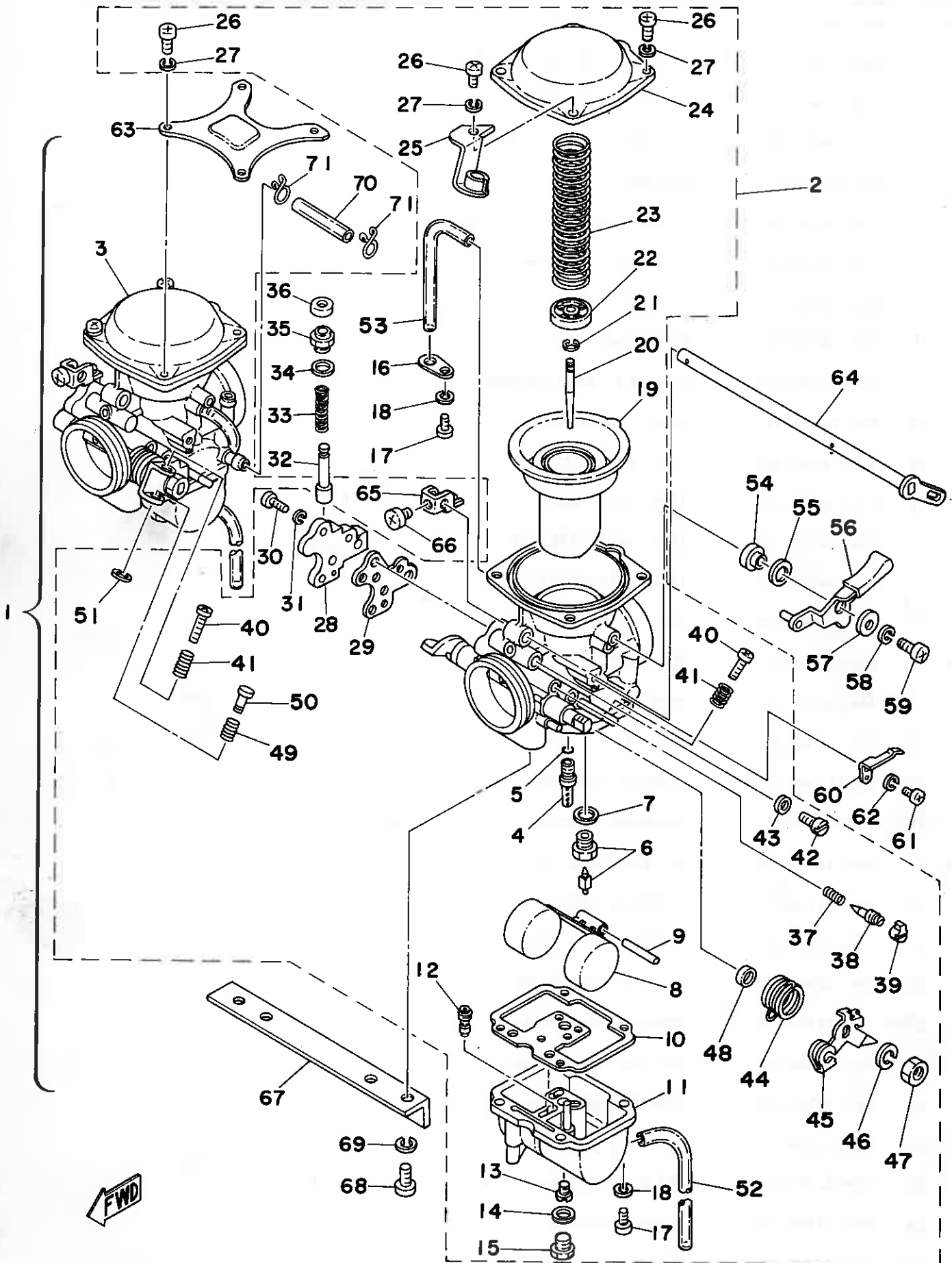
Fig. 20 CARBURETOR



FWD

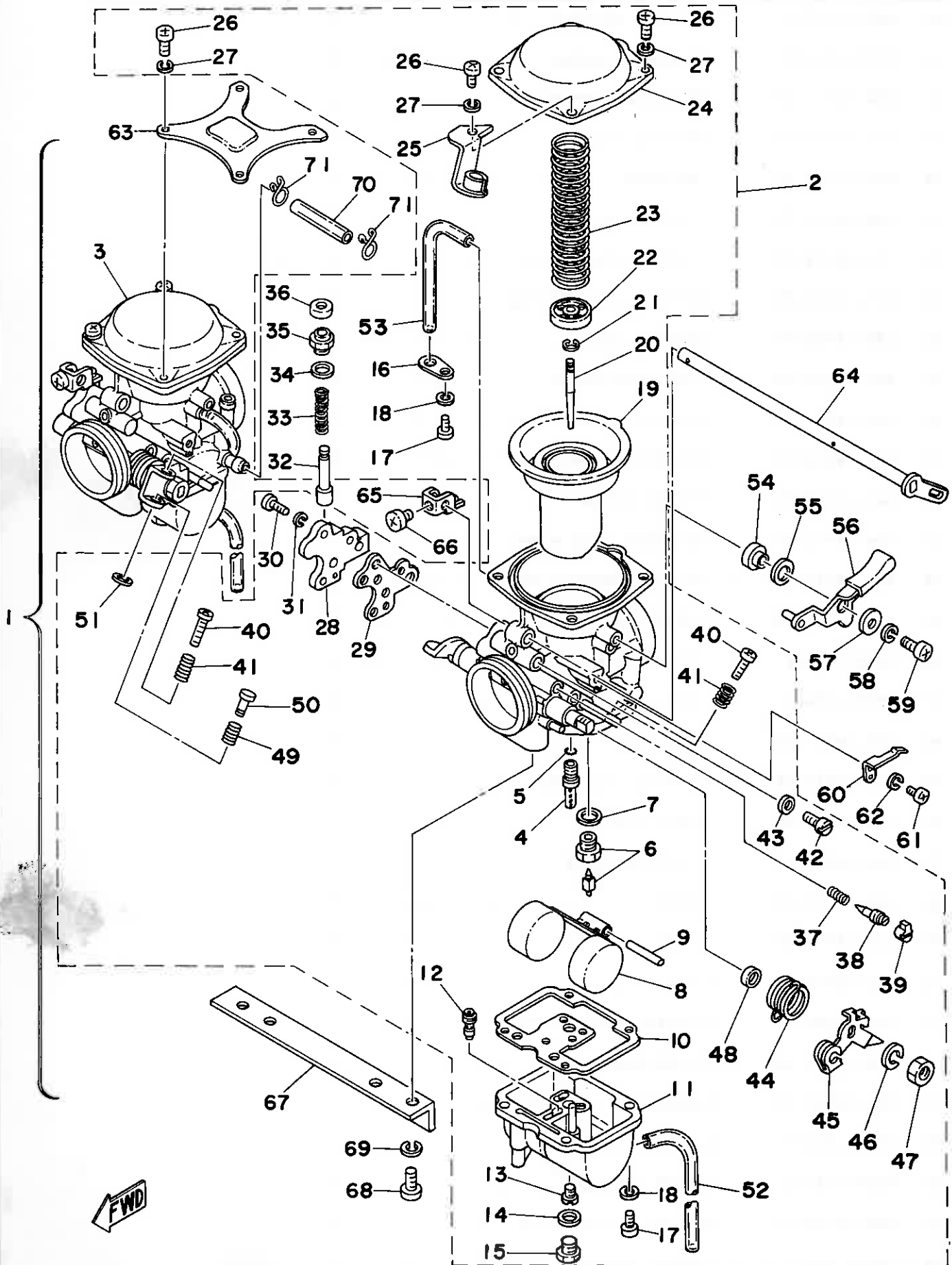
| Ref. No. | Parts No. | Description | Q'ty | Applicable Machine No. | Remarks |
|----------|--------------|-------------------------------------|------------|------------------------|---------|
| 20- 1 | 584-14900-00 | CARBURETOR ASS'Y | 1s | | |
| 2 | 584-14901-00 | . CARBURETOR ASS'Y, left | 1 | | |
| 3 | 584-14902-00 | . CARBURETOR ASS'Y, right | 1 | | |
| 4 | 341-14941-88 | . . NOZZLE, main (Z-8) | 2 | | |
| 5 | 93210-03142 | . . O-RING | 2 | | |
| 6 | 168-14190-20 | . . VALVE SEAT ASS'Y (#20) | 2 | | |
| 7 | 214-14195-00 | . . WASHER, valve seat | 2 | | |
| 8 | 256-14985-00 | . . FLOAT | 2 | | |
| 9 | 127-14186-00 | . . PIN, float | 2 | | |
| 10 | 256-14984-00 | . . GASKET, float chamber | 2 | | |
| 11 | 584-14981-16 | . . BODY, float chamber | 2 | | |
| 12 | 584-14142-25 | . . JET, pilot (#25) | 2 | | |
| 13 | 256-14944-24 | . . JET, main (#120) <i>入</i> | } U.R 2 | | STD |
| | 256-14944-75 | . . JET, main (#122.5) | | | |
| ✓ | 256-14944-25 | . . JET, main (#125) | | | |
| | 256-14944-76 | . . JET, main (#127.5) | | | |
| 14 | 256-14956-01 | . . WASHER | 2 | | |
| 15 | 256-14991-00 | . . SCREW, plug | 2 | | |
| 16 | 256-14146-01 | . . PLATE | 2 | | |
| 17 | 98501-04012 | . . SCREW, panhead | 8 | | |
| 18 | 92901-04100 | . . WASHER, spring | 8 | | |
| ✓ 19 | 256-14940-00 | . . DIAPHRAGM ASS'Y | 2 | | |
| 20 | 584-14116-01 | . . NEEDLE (4M1-3) | 2 | | |
| 21 | 256-14919-00 | . . CLIP | 2 | | |
| 22 | 256-14946-00 | . . PLATE, needle fitting | 2 | | |
| 23 | 584-14933-00 | . . SPRING, diaphragm | 2 | | |
| 24 | 256-14958-00 | . . COVER, diaphragm | 2 | | |
| 25 | 447-14926-00 | . . THROTTLE BRACKET ASS'Y | 1 | | |
| 26 | 98501-05015 | . . SCREW, panhead | 8 | | |
| 27 | 92901-05100 | . . WASHER, spring | 8 | | |
| 28 | 584-14907-00 | . . BODY, starter | 2 | | |
| 29 | 447-14979-00 | . . GASKET, starter body | 2 | | |

Fig. 20 CARBURETOR



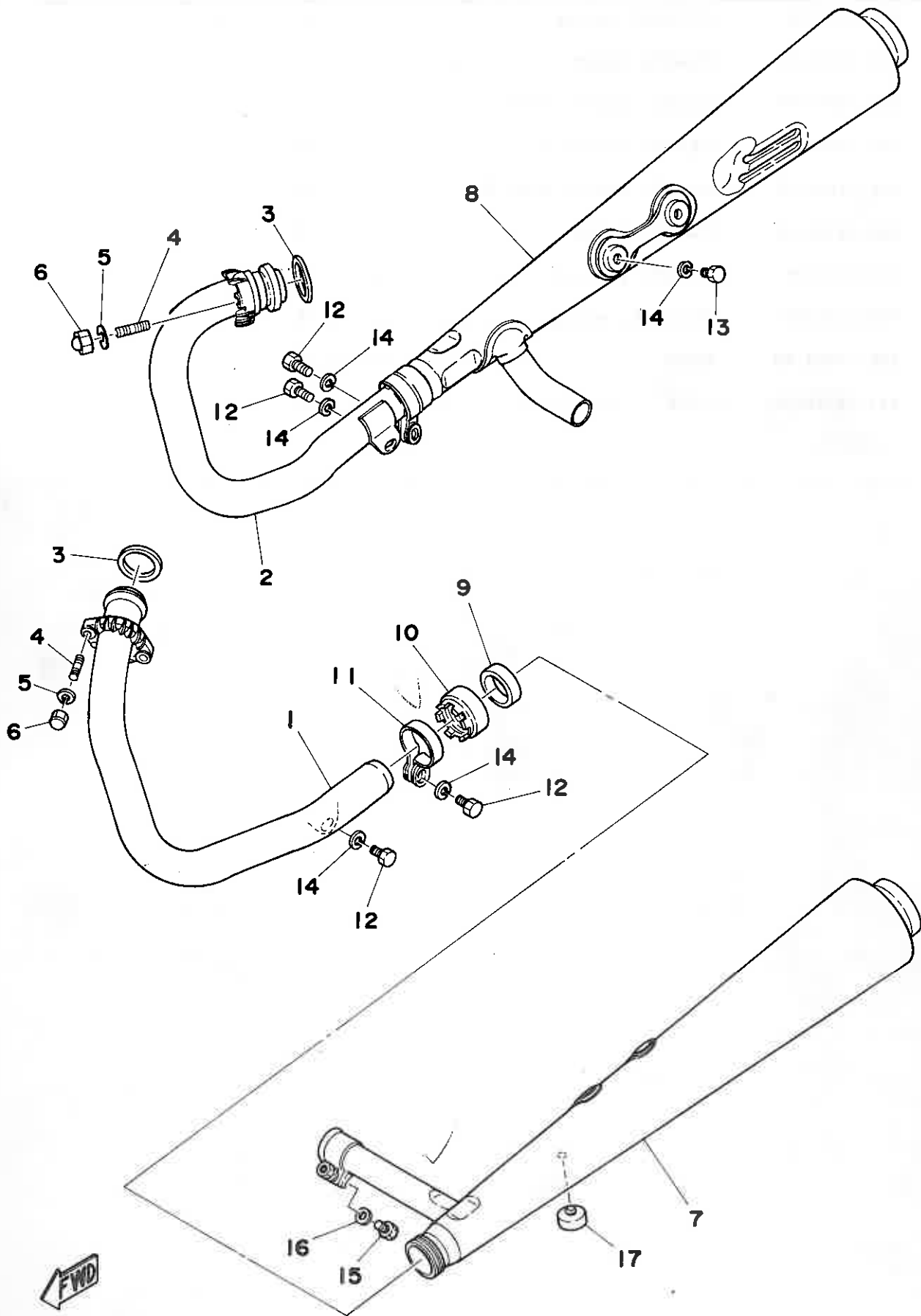
| Ref. No. | Parts No. | Description | Q'ty | Applicable Machine No. | Remarks |
|----------|--------------|---------------------------|------|---------------------------|---------|
| 20-30 | 98501-04012 | . . SCREW, panhead | 6 | | |
| 31 | 92901-04100 | . . WASHER, spring | 6 | | |
| 32 | 584-14171-00 | . . PLUNGER, starter | 2 | | |
| 33 | 256-14135-00 | . . SPRING, plunger | 2 | | |
| 34 | 256-14954-00 | . . WASHER | 2 | | |
| 35 | 584-14176-00 | . . CAP, plunger | 2 | | |
| 36 | 306-14173-00 | . . COVER, plunger cap | 2 | | |
| 37 | 127-14134-00 | . . SPRING, air adjusting | 2 | | |
| 38 | 584-14923-00 | . . SCREW, pilot | 2 | | |
| 39 | 584-14969-00 | . . CAP, pilot screw | 2 | | |
| 40 | 256-14922-01 | . . SCREW, throttle stop | 3 | | |
| 41 | 256-14934-01 | . . SPRING, throttle stop | 3 | | |
| 42 | 341-14991-00 | . . PLUG, screw | 2 | | |
| 43 | 584-14956-00 | . . WASHER, plug screw | 2 | | |
| 44 | 584-14931-00 | . . SPRING, throttle left | 1 | | |
| 45 | 306-14964-00 | . . LEVER, throttle left | 1 | | |
| 46 | 92901-08100 | . . WASHER, spring | 2 | | |
| 47 | 95301-12600 | . . NUT, hexagon | 2 | | |
| 48 | 256-14997-00 | . . SEAL (8 ϕ) | 1 | | |
| 49 | 584-14934-00 | . . SPRING, adjusting | 1 | | |
| 50 | 584-14992-00 | . . ROD, push | 1 | | |
| 51 | 584-14937-00 | . . CLIP, push rod | 1 | | |
| 52 | 256-14197-01 | . . HOSE | 2 | | |
| 53 | 256-14987-00 | . . HOSE | 2 | | |
| 54 | 256-14918-00 | . RING | 1 | | |
| 55 | 584-14955-00 | . WASHER, starter lever | 1 | | |
| 56 | 306-14905-02 | . LEVER ASS'Y | 1 | | |
| 57 | 256-14952-00 | . WASHER | 1 | | |
| 58 | 92901-04100 | . WASHER, spring | 1 | | |
| 59 | 98501-04012 | . SCREW, panhead | 1 | | |
| 60 | 584-14938-00 | . SPRING, starter lever | 1 | | |
| 61 | 98501-04006 | . SCREW, panhead | 1 | | |

Fig. 20 CARBURETOR



| Ref. No. | Parts No. | Description | Q'ty | Applicable Machine No. | Remarks |
|----------|--------------|--------------------------------|------|---------------------------|---------|
| 20-62 | 92901-04100 | . WASHER, spring | 1 | | |
| 63 | 584-14243-00 | . PLATE, upper | 1 | | |
| 64 | 584-14977-00 | . SHAFT, starter lever | 1 | | |
| 65 | 584-14905-00 | . LEVER, starter 2 | 2 | | |
| 66 | 584-14991-00 | . SCREW, starter lever 2 | 2 | | |
| 67 | 584-14146-00 | . PLATE, lower | 1 | | |
| 68 | 92501-06015 | . SCREW, panhead | 4 | | |
| 69 | 92901-06100 | . WASHER, spring | 4 | | |
| 70 | 306-14988-00 | . HOSE | 1 | | |
| 71 | 341-14919-00 | . CLIP | 2 | | |

Fig. 21 EXHAUST

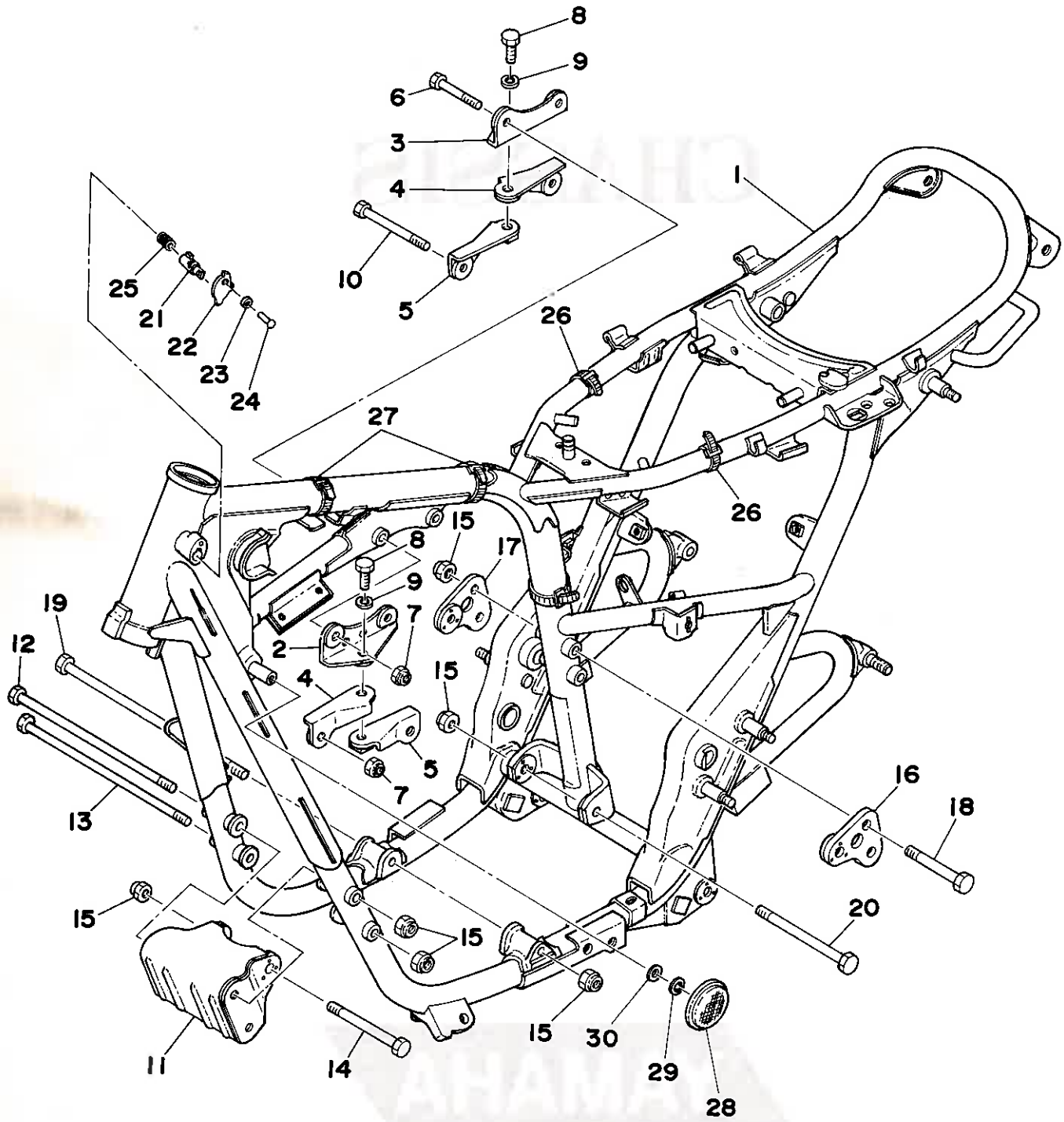


| Ref. No. | Parts No. | Description | Q'ty | Applicable Machine No. | Remarks |
|----------|--------------|---------------------------|------|---------------------------|---------|
| 21- 1 | 447-14611-03 | PIPE, exhaust left | 1 | | |
| 2 | 447-14621-03 | PIPE, exhaust right | 1 | | |
| 3 | 90430-38054 | GASKET (256-14613-00) | 2 | | |
| 4 | 90116-10195 | BOLT, stud (306-14651-00) | 4 | | M10-43L |
| 5 | 92903-10100 | WASHER, spring | 4 | | |
| 6 | 95303-10800 | NUT, crown | 4 | | |
| 7 | 584-14711-00 | MUFFLER, left | 1 | | |
| 8 | 584-14721-00 | MUFFLER, right | 1 | | |
| 9 | 371-14714-03 | GASKET, muffler joint | 2 | | |
| 10 | 371-14713-00 | NUT, muffler joint | 2 | | |
| 11 | 90460-46057 | BAND (447-14715-02) | 2 | | |
| 12 | 90105-10058 | BOLT, hexagon | 4 | | |
| 13 | 97301-10015 | BOLT, hexagon | 4 | | |
| 14 | 92901-10100 | WASHER, spring | 8 | | |
| 15 | 97301-08025 | BOLT, hexagon | 1 | | |
| 16 | 92901-08600 | WASHER, plate | 1 | | |
| 17 | 371-27114-00 | STOPPER, main stand | 1 | | |

CHASSIS

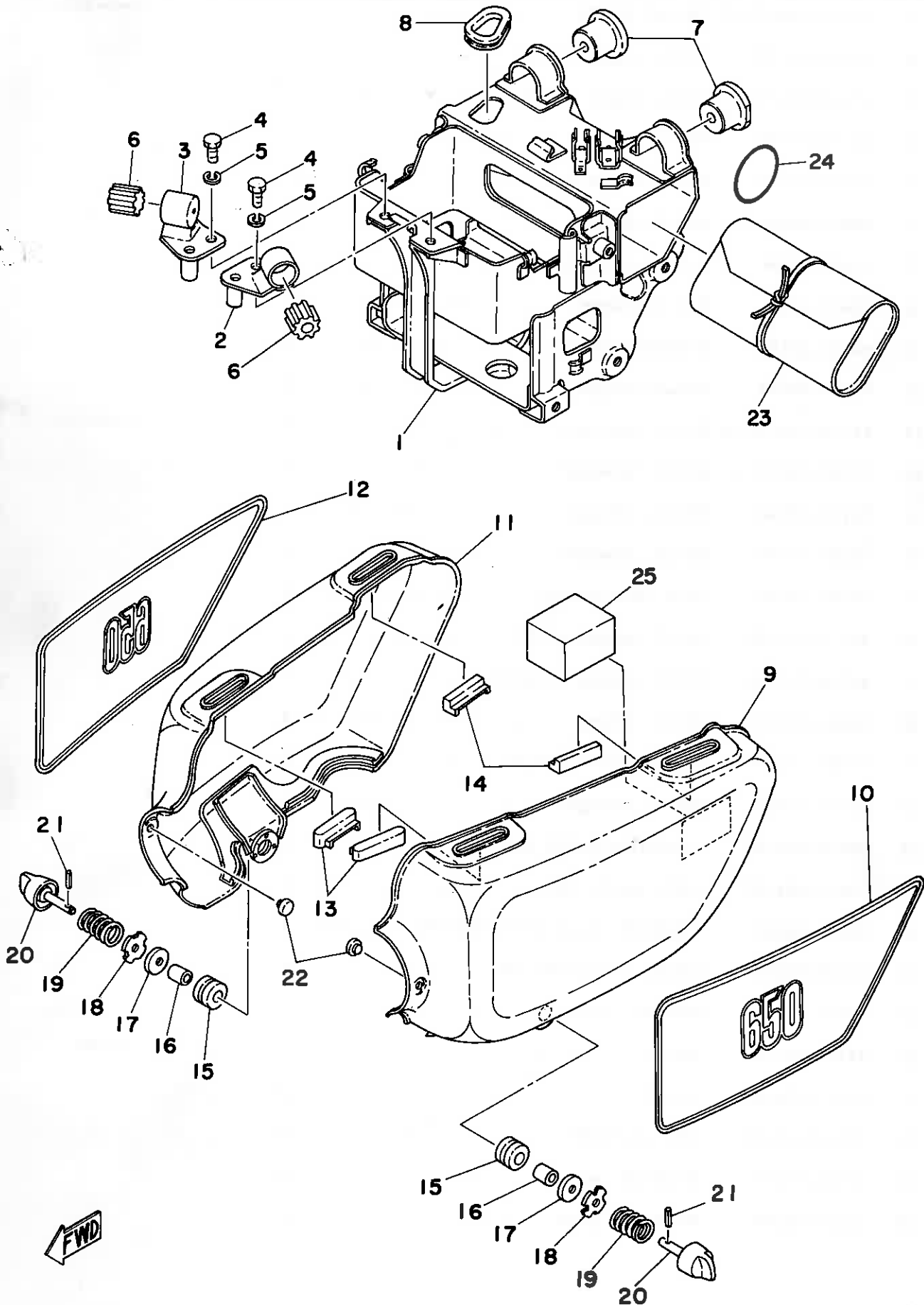


Fig. 22 FRAME



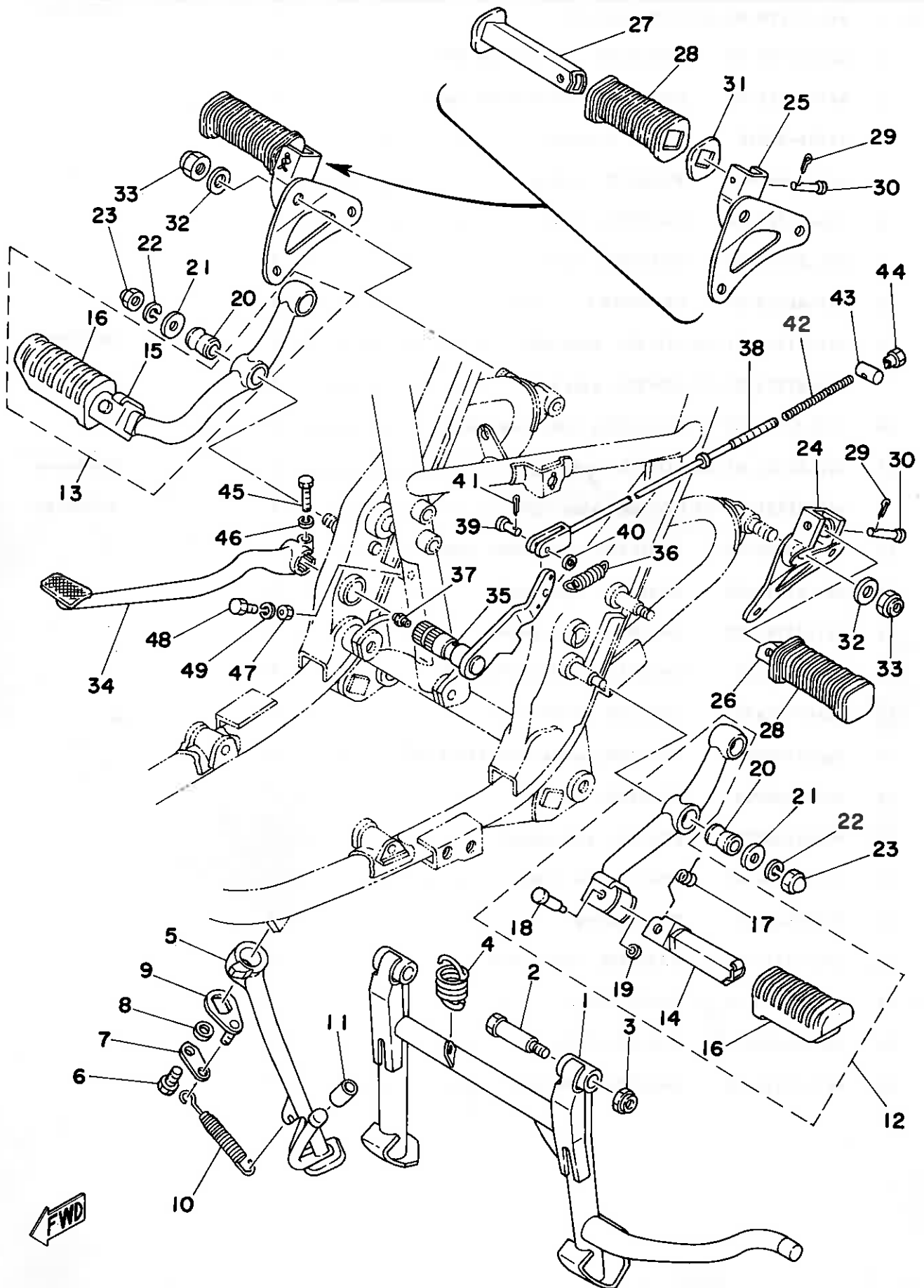
| Ref. No. | Parts No. | Description | Q'ty | Applicable Machine No. | Remarks |
|----------|-----------------|-----------------------------------|------|------------------------|--------------|
| 22- 1 | 1T3-21110-00-33 | FRAME COMP. | 1 | | Yamaha Black |
| 2 | 447-21314-00 | STAY, engine 5 (left) | 1 | | |
| 3 | 447-21315-00 | STAY, engine 1 (right) | 1 | | |
| 4 | 256-21317-01 | STAY, engine 3 | 2 | | |
| 5 | 256-21316-01 | STAY, engine 2 | 2 | | |
| 6 | 95821-08055 | BOLT, flange | 2 | | |
| 7 | 90185-08054 | NUT, self locking | 4 | | |
| 8 | 95821-10025 | BOLT, flange | 2 | | |
| 9 | 92901-10100 | WASHER, spring | 2 | | |
| 10 | 95821-08090 | BOLT, flange | 2 | | |
| 11 | 447-21318-00-33 | STAY, engine 4 | 1 | | Yamaha Black |
| 12 | 90105-10043 | BOLT, hexagon | 1 | | |
| 13 | 90105-10044 | BOLT, hexagon | 1 | | |
| 14 | 90105-10039 | BOLT, hexagon | 1 | | |
| 15 | 90185-10035 | NUT, self locking | 8 | | |
| 16 | 447-21319-00 | STAY, engine 6 (left) | 1 | | |
| 17 | 447-21387-00 | STAY, engine 7 (right) | 1 | | |
| 18 | 95821-10070 | BOLT, flange | 3 | | |
| 19 | 90109-10388 | BOLT, round hexagon | 1 | | |
| 20 | 90105-10041 | BOLT, hexagon | 1 | | |
| 21 | 584-23408-00 | STEERING LOCK ASS'Y | 1 | | |
| 22 | 584-23484-00 | CAP, handle lock | 1 | | |
| 23 | 90206-04003 | WASHER, wave (214-23488-00) | 1 | | |
| 24 | 90269-04003 | RIVET (214-23483-00) | 1 | | |
| 25 | 90502-09024 | SPRING, conical | 1 | | |
| 26 | 447-82591-00 | BAND | 2 | | Q = 105 |
| 27 | 435-13474-00 | BAND | 2 | | |
| 28 | 355-85111-00 | REFLECTOR | 2 | | |
| 29 | 92901-05100 | WASHER, spring | 2 | | |
| 30 | 92901-05200 | WASHER, plain | 2 | | |

Fig. 23 BATTERY BOX · SIDE COVER



| Ref. No. | Parts No. | Description | Q'ty | Applicable Machine No. | Remarks |
|----------|-----------------|------------------------------|------|------------------------|----------------|
| 23- 1 | 447-21170-03-33 | BOX, battery | 1 | | Yamaha Black |
| 2 | 447-21149-00 | BRACKET, battery box left | 1 | | |
| 3 | 447-21344-00 | BRACKET, battery box right | 1 | | |
| 4 | 97301-06016 | BOLT, hexagon | 2 | | |
| 5 | 92901-06100 | WASHER, spring | 2 | | |
| 6 | 256-21729-00 | DAMPER, front | 2 | | |
| 7 | 256-21747-00 | DAMPER, rear | 2 | | |
| 8 | 447-82128-00 | GROMMET | 1 | | |
| 9 | 447-21711-01-U8 | COVER, side left | 1 | | Maxi Maroon |
| | 447-21711-01-J3 | COVER, side left | 1 | | Bountiful Blue |
| 10 | 1T3-21784-00 | EMBLEM, side cover left | 1 | | |
| 11 | 447-21721-01-U8 | COVER, side right | 1 | | Maxi Maroon |
| | 447-21721-01-J3 | COVER, side right | 1 | | Bountiful Blue |
| 12 | 1T3-21786-00 | EMBLEM, side cover right | 1 | | |
| 13 | 447-21717-00 | DAMPER, side cover | 2 | | |
| 14 | 447-21747-00 | DAMPER, side cover | 2 | | |
| 15 | 90480-14102 | GROMMET (214-21717-00) | 2 | | |
| 16 | 90387-07390 | COLLAR (7-10-11.5) | 2 | | |
| 17 | 90201-06063 | WASHER, plate (810-77318-00) | 2 | | |
| 18 | 90209-06044 | WASHER, special | 2 | | |
| 19 | 90501-18205 | SPRING, side cover | 2 | | |
| 20 | 447-21714-01 | KNOB, side cover | 2 | | |
| 21 | 91609-25015 | PIN, spring | 2 | | |
| 22 | 256-21717-00 | DAMPER, side cover | 2 | | |
| 23 | 447-28100-12 | TOOL ASS'Y | 1 | | |
| 24 | 93210-40040 | O-RING (3-39.5) | 1 | | |
| 25 | 447-21746-00 | DAMPER, tool box | 1 | | |

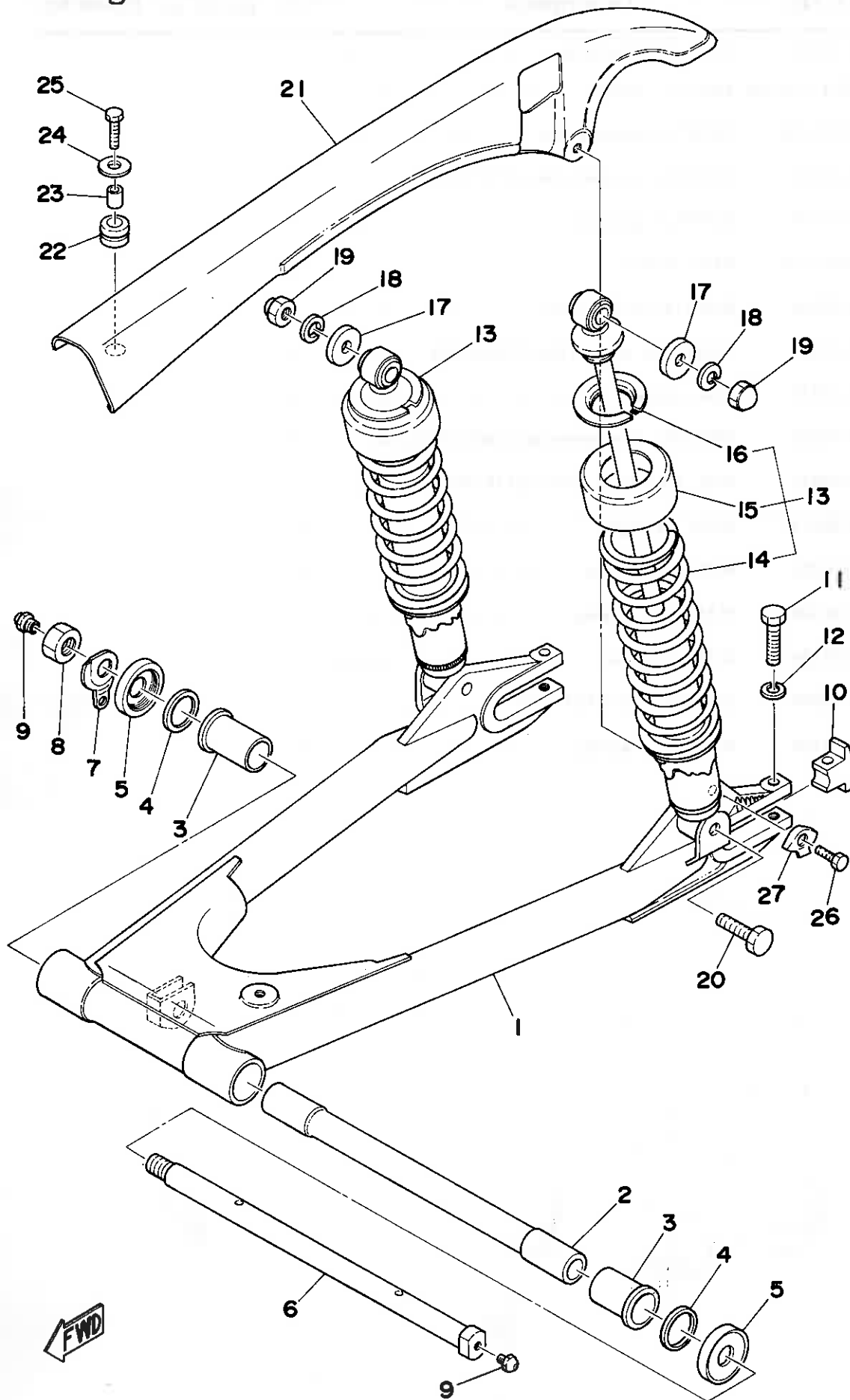
Fig. 24 STAND · FOOTREST · BRAKE PEDAL



| Ref. No. | Parts No. | Description | Q'ty | Applicable Machine No. | Remarks |
|----------|--------------|----------------------------------|------|------------------------|---------|
| 24- 1 | 1T3-27111-00 | STAND, main | 1 | | |
| 2 | 447-27112-00 | BOLT | 2 | | |
| 3 | 90185-10035 | NUT, self locking | 2 | | |
| 4 | 90506-50064 | SPRING, tension (256-27116-00) | 1 | | |
| 5 | 1T3-27311-00 | STAND, side | 1 | | |
| 6 | 97301-08020 | BOLT, hexagon | 1 | | |
| 7 | 1T3-27322-00 | WASHER, lock | 1 | | |
| 8 | 90201-08114 | WASHER, plate (156-24186-00) | 1 | | |
| 9 | 1T3-27315-00 | LINK, side stand | 1 | | |
| 10 | 90507-29009 | SPRING, tension | 1 | | |
| 11 | 278-27314-00 | STOPPER, side stand | 1 | | |
| 12 | 1T3-27410-00 | FOOTREST ASS'Y, left | 1 | | |
| 13 | 1T3-27420-00 | FOOTREST ASS'Y, right | 1 | | |
| 14 | 1T3-27451-00 | . FOOTREST, left | 1 | | |
| 15 | 1T3-27461-00 | . FOOTREST, right | 1 | | |
| 16 | 1J7-27413-01 | . COVER, footrest right | 2 | | |
| 17 | 90508-20023 | . SPRING, torsion (214-27426-00) | 2 | | |
| 18 | 90243-08006 | . PIN (214-27418-00) | 2 | | |
| 19 | 90201-06042 | . WASHER, plate (214-27417-00) | 2 | | |
| 20 | 256-27414-00 | DAMPER, rubber 1 | 4 | | |
| 21 | 90201-10437 | WASHER, plate | 4 | | |
| 22 | 92901-10100 | WASHER, spring | 4 | | |
| 23 | 90176-10013 | NUT, cap | 4 | | |
| 24 | 584-27432-00 | BRACKET, rear footrest left | 1 | | |
| 25 | 584-27442-00 | BRACKET, rear footrest right | 1 | | |
| 26 | 447-27431-00 | FOOTREST, rear left | 1 | | |
| 27 | 447-27441-00 | FOOTREST, rear right | 1 | | |
| 28 | 447-27433-00 | COVER, rear footrest | 2 | | |
| 29 | 91401-16012 | PIN, cotter | 2 | | |
| 30 | 91501-06035 | PIN, clevis | 2 | | |
| 31 | 90209-18070 | WASHER (447-27437-00) | 2 | | |
| 32 | 90201-13502 | WASHER, plate | 2 | | |

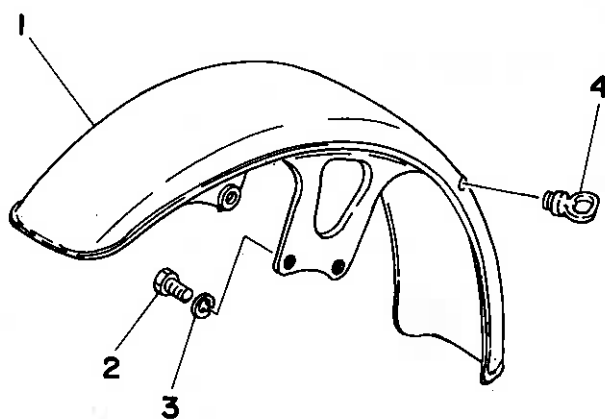
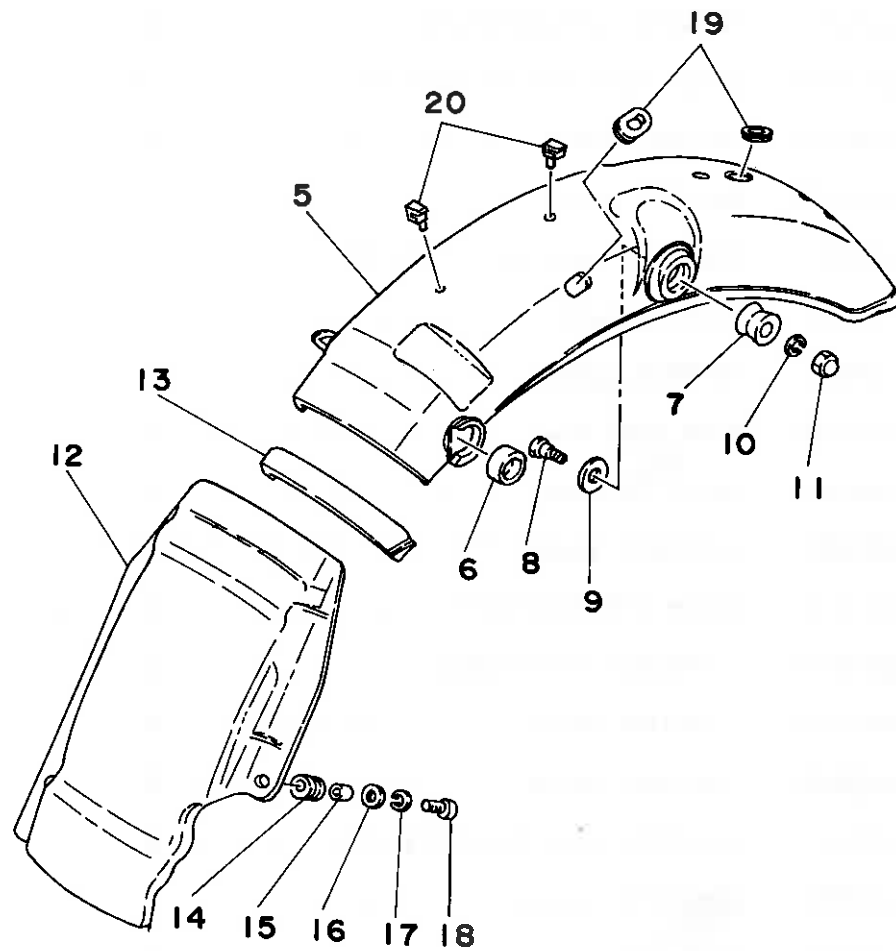
| Ref. No. | Parts No. | Description | Q'ty | Applicable Machine No. | Remarks |
|----------|-----------------|------------------------------------|------|---------------------------|---------|
| 24-33 | 90185-12046 | NUT, self locking | 2 | | |
| 34 | 533-27211-00-93 | PEDAL, brake | 1 | | |
| 35 | 533-27212-00 | SHAFT, brake pedal | 1 | | |
| 36 | 90506-23046 | SPRING, tension (341-27216-00) | 1 | | |
| 37 | 93700-06004 | NIPPLE, grease | 1 | | |
| 38 | 447-27231-02 | ROD, brake | 1 | | |
| 39 | 90249-12008 | PIN (156-27237-00) | 1 | | |
| 40 | 90201-08083 | WASHER, plate (156-27226-00) | 1 | | |
| 41 | 91401-20012 | PIN, cotter | 1 | | |
| 42 | 90501-10245 | SPRING, compression (180-27236-00) | 1 | | |
| 43 | 90240-08013 | PIN, with hole (307-18118-00) | 1 | | |
| 44 | 90179-06227 | NUT, hexagon | 1 | | |
| 45 | 97321-06030 | BOLT, hexagon | 1 | | |
| 46 | 92901-06100 | WASHER, spring | 1 | | |
| 47 | 90170-06184 | NUT, hexagon | 1 | | |
| 48 | 90153-06008 | SCREW (341-27217-00) | 1 | | |
| 49 | 92903-06100 | WASHER, spring | 1 | | |

Fig. 25 REAR ARM · REAR CUSHION · CHAIN CASE



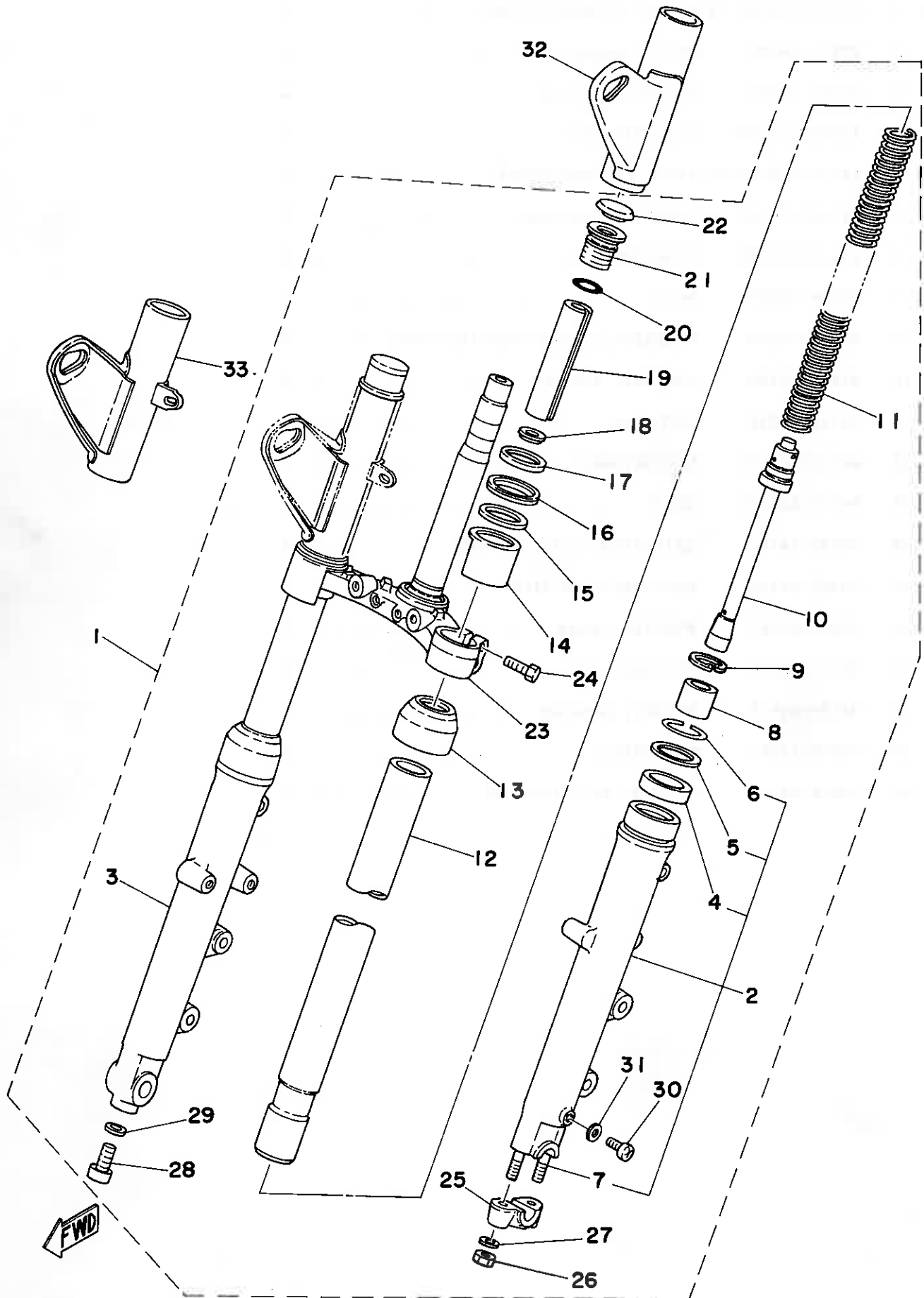
| Ref. No. | Parts No. | Description | Q'ty | Applicable Machine No. | Remarks |
|----------|-----------------|------------------------------|------|------------------------|-----------------|
| 25- 1 | 447-22110-00-33 | REAR ARM COMP. | 1 | | Yamaha Black |
| 2 | 447-22184-00 | BUSHING | 1 | | |
| 3 | 90386-22029 | BUSHING (256-22123-01) | 2 | | |
| 4 | 240-22127-00 | SHIM, rear arm (26-34-0.3) | U.R | | |
| 5 | 447-22128-00 | COVER, thrust | 2 | | |
| 6 | 447-22141-00 | SHAFT, pivot | 1 | | |
| 7 | 90215-14055 | WASHER, lock (447-22149-00) | 1 | | |
| 8 | 90170-14174 | NUT, hexagon | 1 | | |
| 9 | 93700-06004 | NIPPLE, grease | 2 | | |
| 10 | 341-22177-00 | END, rear arm | 2 | | |
| 11 | 97301-08040 | BOLT, hexagon | 2 | | |
| 12 | 92901-08100 | WASHER, spring | 2 | | |
| 13 | 1T3-22210-21 | REAR CUSHION ASS'Y | 2 | | |
| 14 | 1T3-22212-20 | . SPRING, rear cushion | 2 | | |
| 15 | 447-22211-21 | . COVER, outer | 2 | | |
| 16 | 341-22213-20 | . GUIDE, spring | 2 | | |
| 17 | 90201-10142 | WASHER, plate (341-22243-00) | 2 | | |
| 18 | 92903-10100 | WASHER, spring | 2 | | |
| 19 | 90176-10009 | NUT, cap | 2 | | |
| 20 | 90106-10025 | BOLT, round (214-22241-00) | 2 | | |
| 21 | 447-22311-02-98 | CHAIN CASE | 1 | | Low Gloss Black |
| 22 | 90480-14102 | GROMMET (214-21717-00) | 1 | | |
| 23 | 90387-07390 | COLLAR (7-10-11.5) | 1 | | |
| 24 | 90201-06066 | WASHER, plate (101-28323-00) | 1 | | |
| 25 | 97301-06025 | BOLT, hexagon | 1 | | |
| 26 | 97303-06020 | BOLT, hexagon | 1 | | |
| 27 | 90215-06117 | WASHER | 1 | | |

Fig. 26 FRONT FENDER · REAR FENDER



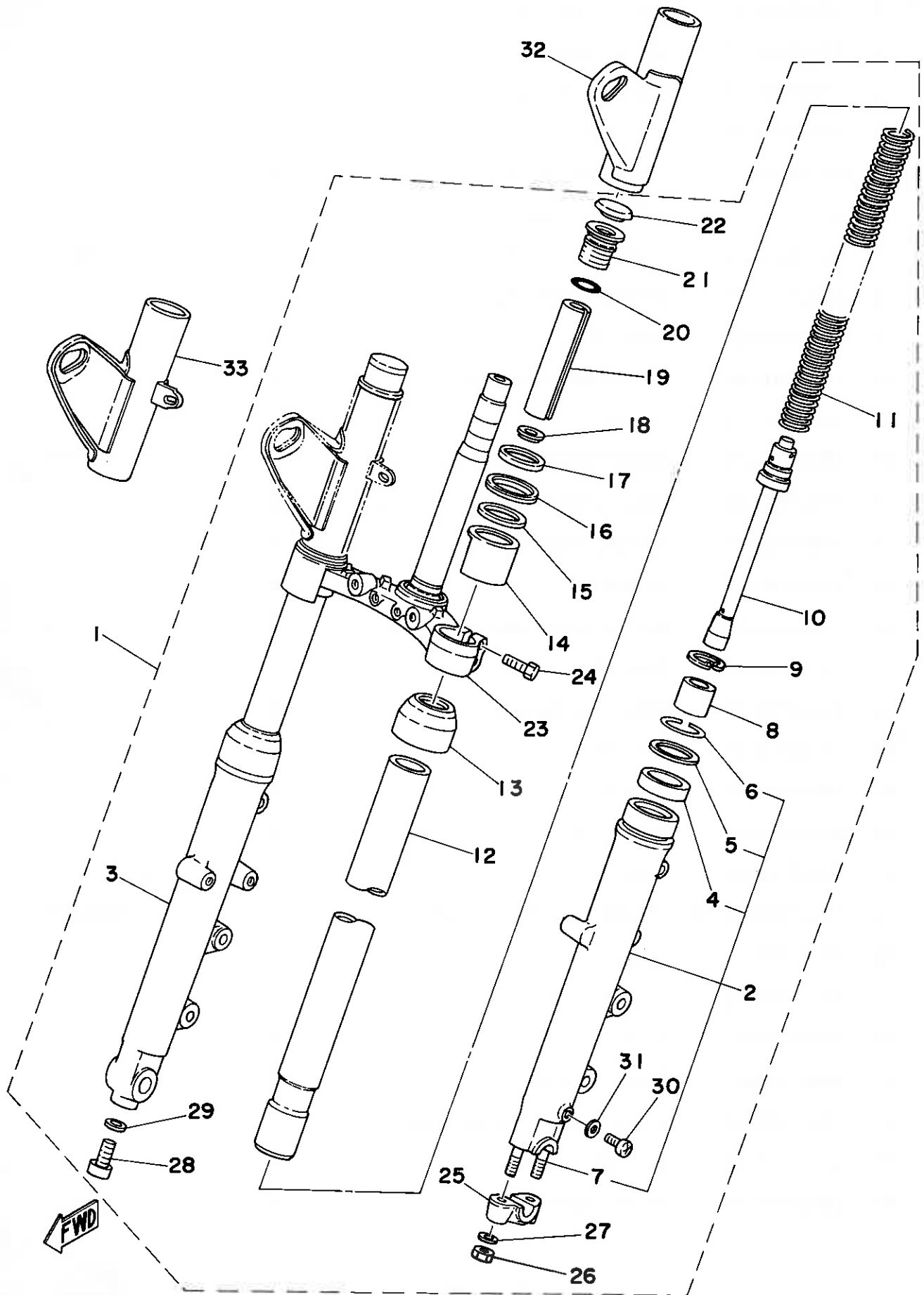
| Ref. No. | Parts No. | Description | Q'ty | Applicable Machine No. | Remarks |
|----------|-----------------|--------------------------------|------|---------------------------|---------|
| 26- 1 | 1T3-21510-00-93 | FRONT FENDER COMP. | 1 | | |
| 2 | 97301-08020 | BOLT, hexagon | 4 | | |
| 3 | 92901-08100 | WASHER, spring | 4 | | |
| 4 | 1A0-21518-00 | HOLDER, wire | 1 | | |
| 5 | 447-21610-02-93 | REAR FENDER COMP. | 1 | | |
| 6 | 447-21638-00 | DAMPER, locating | 2 | | |
| 7 | 168-21639-00 | DAMPER, rear | 2 | | |
| 8 | 90109-10349 | BOLT | 2 | | |
| 9 | 90201-15239 | WASHER, special (168-21615-00) | 2 | | |
| 10 | 92903-10100 | WASHER, spring | 2 | | |
| 11 | 90176-10013 | NUT, cap | 2 | | |
| 12 | 447-21629-01 | MUD GUARD | 1 | | |
| 13 | 447-21268-01 | SEAL | 1 | | |
| 14 | 90480-14102 | GROMMET (214-21717-00) | 3 | | |
| 15 | 90387-07390 | COLLAR (7-10-11.5) | 3 | | |
| 16 | 90201-06067 | WASHER, plate | 3 | | |
| 17 | 92901-06100 | WASHER, spring | 3 | | |
| 18 | 92501-06025 | SCREW, panhead | 3 | | |
| 19 | 90480-15061 | GROMMET | 2 | | |
| 20 | 90464-04014 | CLAMP (341-21637-00) | 2 | | |

Fig. 27 FRONT FORK



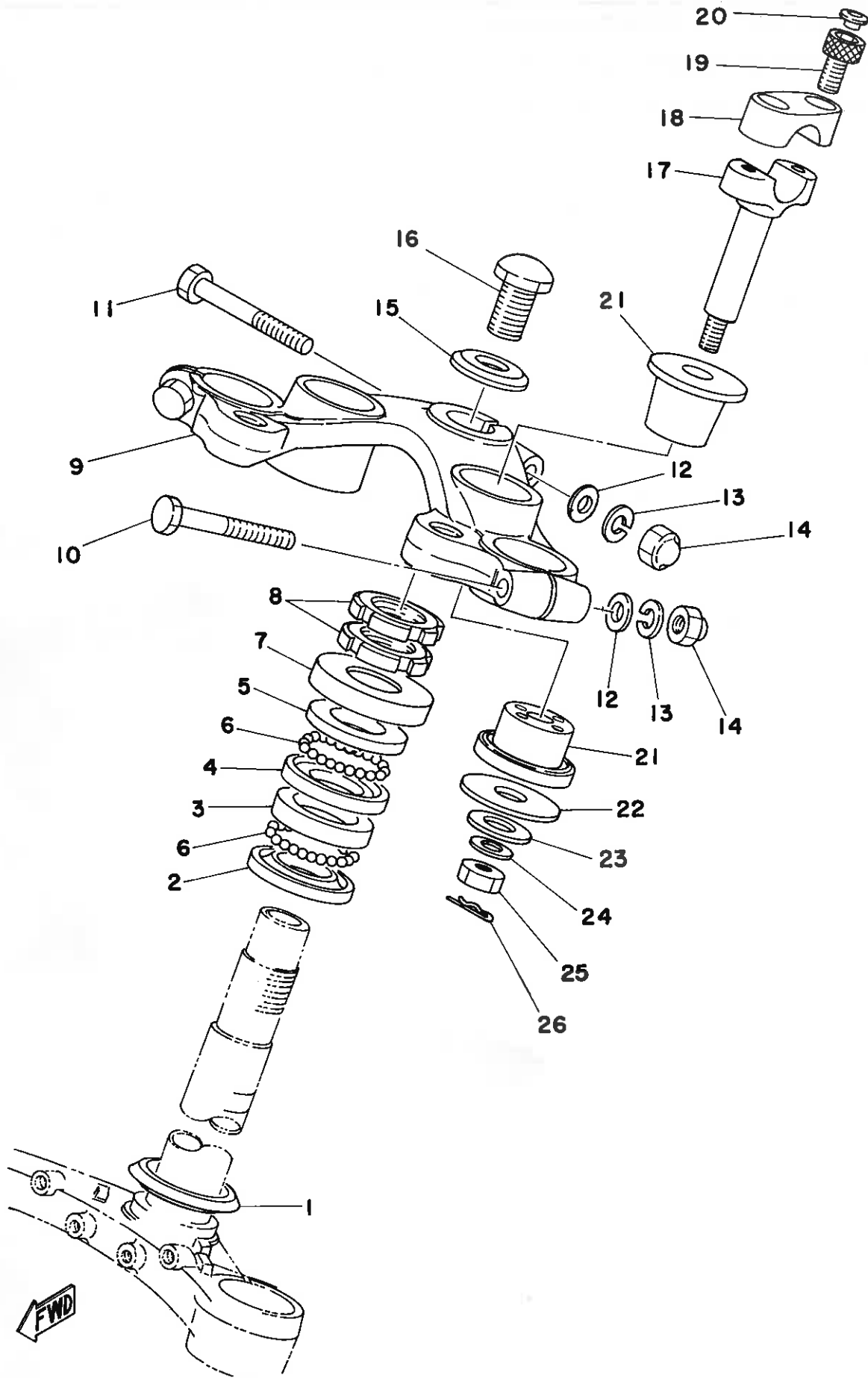
| Ref. No. | Parts No. | Description | Q'ty | Applicable Machine No. | Remarks |
|----------|-----------------|-----------------------------------|------|---------------------------|--------------|
| 27- 1 | 1T3-23101-51 | FRONT FORK ASS'Y | 1 | | |
| 2 | 1T3-23126-50 | . FORK TUBE, outer left | 1 | | |
| 3 | 1T3-23136-50 | . FORK TUBE, outer right | 1 | | |
| 4 | 1T3-23145-00 | . . OIL SEAL | 2 | | |
| 5 | 341-23146-50 | . . WASHER, oil seal | 2 | | |
| 6 | 341-23156-50 | . . CLIP, oil seal | 2 | | |
| 7 | 278-23128-51 | . . BOLT | 2 | | Left Side |
| 8 | 434-23171-00 | . PISTON, front fork | 2 | | |
| 9 | 93450-30033 | . CIRCLIP | 2 | | |
| 10 | 1T3-23170-50 | . CYLINDER, front fork | 2 | | |
| 11 | 1T3-23141-50 | . SPRING | 2 | | |
| 12 | 1T3-23124-50 | . FORK TUBE, inner | 2 | | |
| 13 | 1T3-23144-50 | . SEAL, dust | 2 | | |
| 14 | 1T3-23122-50 | . COVER, outer | 2 | | |
| 15 | 1T3-23163-50 | . GASKET | 2 | | |
| 16 | 1T3-23116-50 | . GUIDE, cover under | 2 | | |
| 17 | 1T3-23146-50 | . WASHER | 2 | | |
| 18 | 256-23142-60 | . SEAT, spring upper | 2 | | |
| 19 | 291-23118-60 | . SPACER | 2 | | |
| 20 | 214-23114-00 | . O-RING | 2 | | |
| 21 | 341-23111-51 | . BOLT, cap | 2 | | |
| 22 | 371-23168-60 | . CAP | 2 | | |
| 23 | 1T3-23340-50-33 | . UNDER BRACKET COMP. | 1 | | Yamaha Black |
| 24 | 90119-08012 | . BOLT | 4 | | |
| 25 | 341-23167-50 | . HOLDER, axle | 1 | | |
| 26 | 90185-08054 | . NUT | 2 | | |
| 27 | 90201-08544 | . WASHER, plate | 2 | | |
| 28 | 1T3-23181-50 | . BOLT, hexagon socket head | 2 | | |
| 29 | 509-23158-L0 | . GASKET | 2 | | |
| 30 | 122-23119-01 | . PLUG, drain | 2 | | |

Fig. 27 FRONT FORK



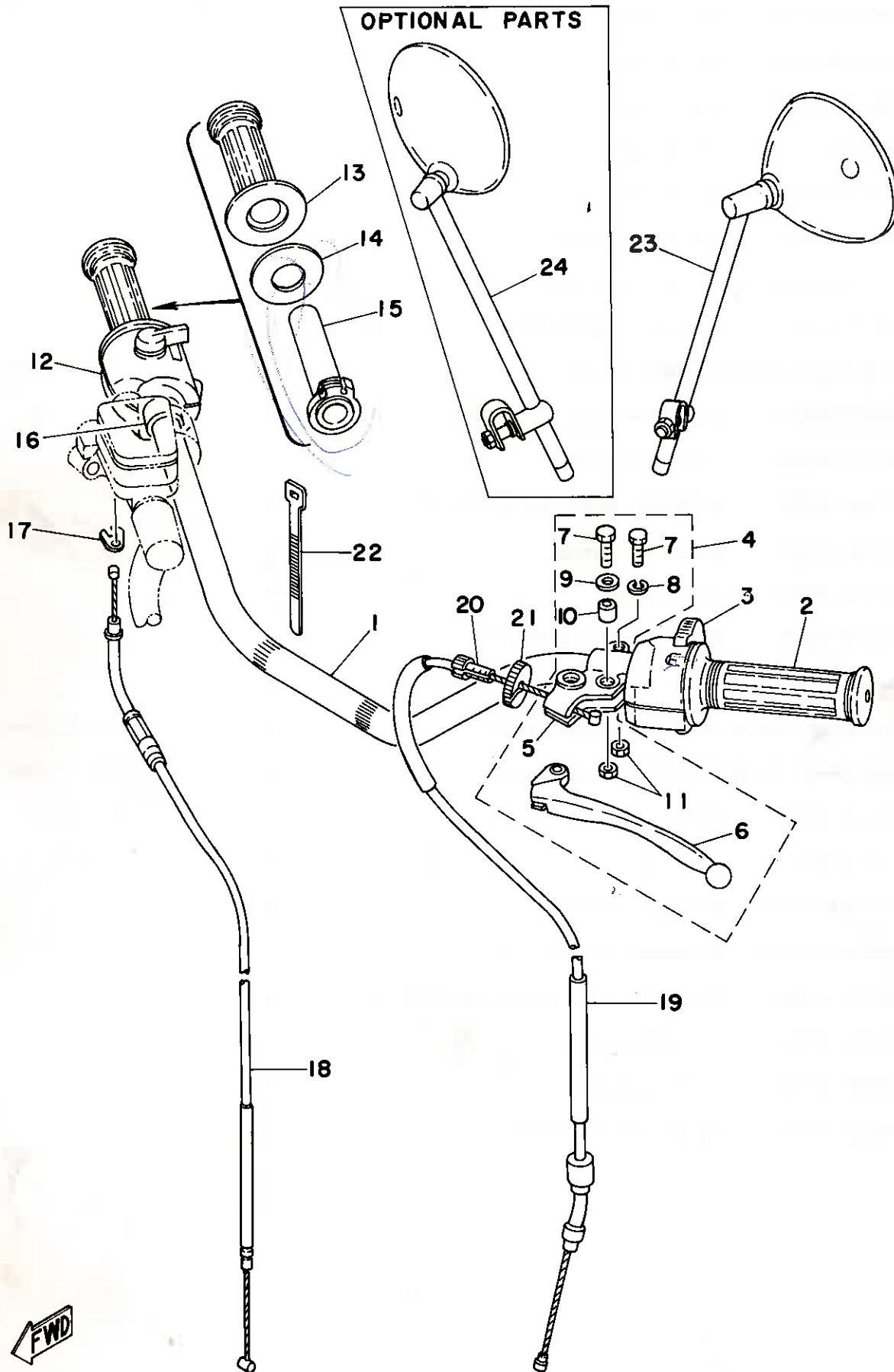
| Ref. No. | Parts No. | Description | Q'ty | Applicable Machine No. | Remarks |
|----------|-----------------|----------------------------|------|---------------------------|---------|
| 27-31 | 122-23129-00 | . GASKET, drain plug | 2 | | |
| 32 | 1T3-23121-50-93 | COVER, upper left | 1 | | |
| 33 | 1T3-23131-50-93 | COVER, upper right | 1 | | |

Fig. 28 STEERING



| Ref. No. | Parts No. | Description | Qty | Applicable Machine No. | Remarks |
|----------|-----------------|------------------------------|-----|------------------------|-----------------|
| 28- 1 | 164-23462-00 | SEAL, dust | 1 | | |
| 2 | 256-23411-00 | RACE, ball 1 | 1 | | |
| 3 | 256-23412-00 | RACE, ball 2 | 1 | | |
| 4 | 256-23413-00 | RACE, ball 3 | 1 | | |
| 5 | 256-23414-00 | RACE, ball 4 | 1 | | |
| 6 | 93501-04011 | BALL (1/4 inch) | 38 | | |
| 7 | 136-23415-00 | COVER, ball race | 1 | | |
| 8 | 90179-25033 | NUT (137-23454-00) | 2 | | |
| 9 | 1T3-23435-00-98 | CROWN, handle | 1 | | Low Gloss Black |
| 10 | 97323-08050 | BOLT, hexagon | 2 | | |
| 11 | 97323-08065 | BOLT, hexagon | 1 | | |
| 12 | 90201-08083 | WASHER, plate (156-27226-00) | 3 | | |
| 13 | 92903-08100 | WASHER, spring | 3 | | |
| 14 | 95303-08800 | NUT, crown | 3 | | |
| 15 | 90209-14023 | WASHER (341-23443-00) | 1 | | |
| 16 | 90106-14017 | BOLT, round (341-23451-00) | 1 | | |
| 17 | 256-23442-00-98 | HOLDER, handle under | 2 | | Low Gloss Black |
| 18 | 360-23441-00-98 | HOLDER, handle upper | 2 | | Low Gloss Black |
| 19 | 90110-08010 | BOLT, fitting | 4 | | |
| 20 | 341-23469-00 | CAP, bolt | 4 | | |
| 21 | 1J7-23434-00 | RUBBER, bushing | 4 | | |
| 22 | 256-92392-70 | WASHER, special | 2 | | |
| 23 | 90201-10149 | WASHER, plate (256-23444-00) | 2 | | |
| 24 | 92901-10100 | WASHER, spring | 2 | | |
| 25 | 95301-10700 | NUT, hexagon | 2 | | |
| 26 | 90468-12006 | CLIP (136-25375-00) | 2 | | |

Fig. 29 HANDLE · WIRE

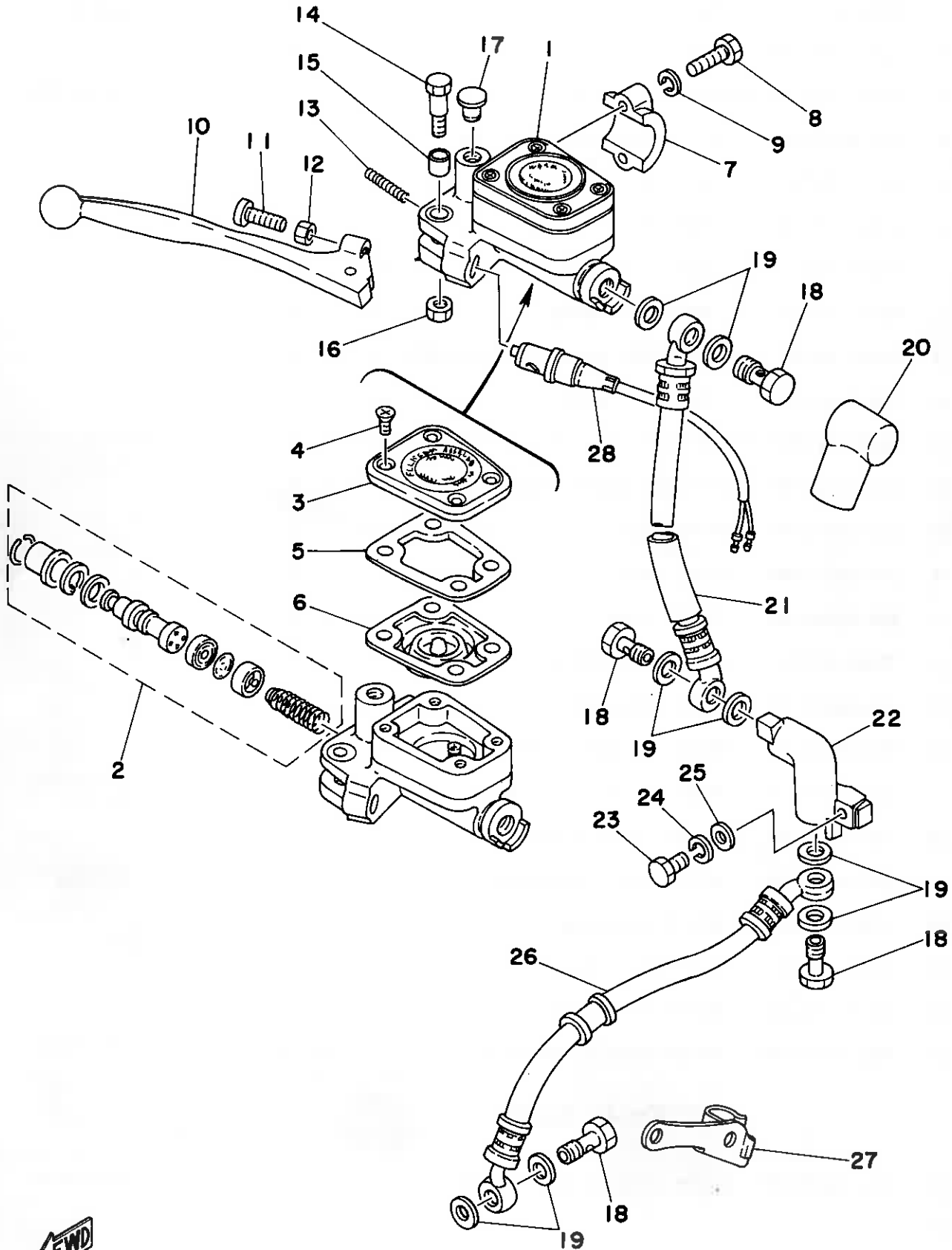


| Ref. No. | Parts No. | Description | Q'ty | Applicable Machine No. | Remarks |
|----------|-------------------|--------------------------------------|------|------------------------|-------------------------------|
| 29- 1 | 584-26111-10 | HANDLE | 1 | | |
| | 533-26111-21 | HANDLE | 1 | | Alternate Parts Bar Handle |
| 2 | 1E6-26241-00 | GRIP, left | 1 | | |
| 3 | ✓ 1T3-83973-00-98 | SWITCH, handle 3 | 1 | | Low Gloss Black |
| 4 | 1J3-82910-00 | LEVER HOLDER ASS'Y, left | 1 | | |
| 5 | 341-82911-00 | . HOLDER, lever left | 1 | | |
| 6 | 1J3-83912-10 | . LEVER, left | 1 | | |
| 7 | 97301-06022 | . BOLT, hexagon | 2 | | |
| 8 | 92901-06100 | . WASHER, spring | 1 | | |
| 9 | 90201-08083 | . WASHER, plate (156-27226-00) | 1 | | |
| 10 | 214-83913-00 | . COLLAR, lever | 1 | | |
| 11 | 95601-06100 | . NUT, U | 2 | | |
| 12 | 584-83963-00 | SWITCH, handle 3 right | 1 | | |
| 13 | 1A0-26242-01 | GRIP, right | 1 | | |
| 14 | 278-26249-00 | RING, leaf | 1 | | |
| 15 | 584-26243-00 | TUBE, guide | 1 | | |
| 16 | 90387-22591 | COLLAR (22-26-15) | 1 | | |
| 17 | 584-26393-01 | CLIP, grommet | 1 | | |
| 18 | 584-26311-10 | WIRE, throttle 1 (1010mm) | 1 | | |
| | 584-26311-20 | WIRE, throttle 1 (950mm) | 1 | | Alternate Parts Bar Handle |
| 19 | 447-26335-00 | WIRE, clutch (1235mm) | 1 | | |
| | 533-26335-20 | WIRE, clutch (1125mm) | 1 | | Alternate Parts Bar Handle |
| 20 | 90123-08053 | BOLT, adjusting | 1 | | |
| 21 | 90179-08041 | NUT (256-26344-00) | 1 | | |
| 22 | 437-83936-00 | BAND, switch cord | 2 | | |
| 23 | 1T3-26290-00 | BACK MIRROR ASS'Y, left | 1 | | Convex Mirror |

OPTIONAL PARTS

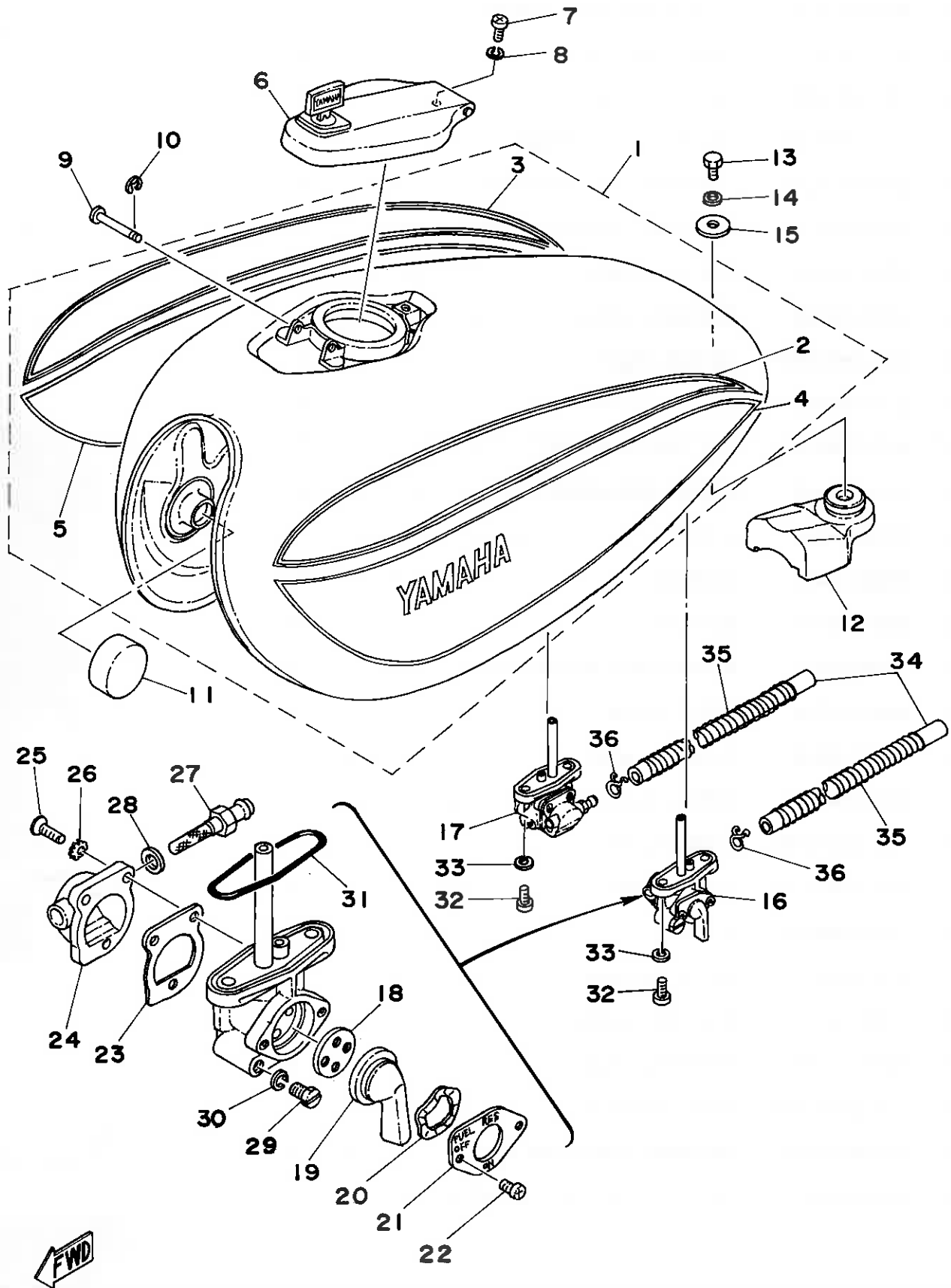
| | | | | | |
|----|--------------|--------------------------------|---|--|---------------|
| 24 | 1T3-26290-00 | BACK MIRROR ASS'Y, right | 1 | | Convex Mirror |
|----|--------------|--------------------------------|---|--|---------------|

Fig. 30 MASTER CYLINDER · BRAKE HOSE



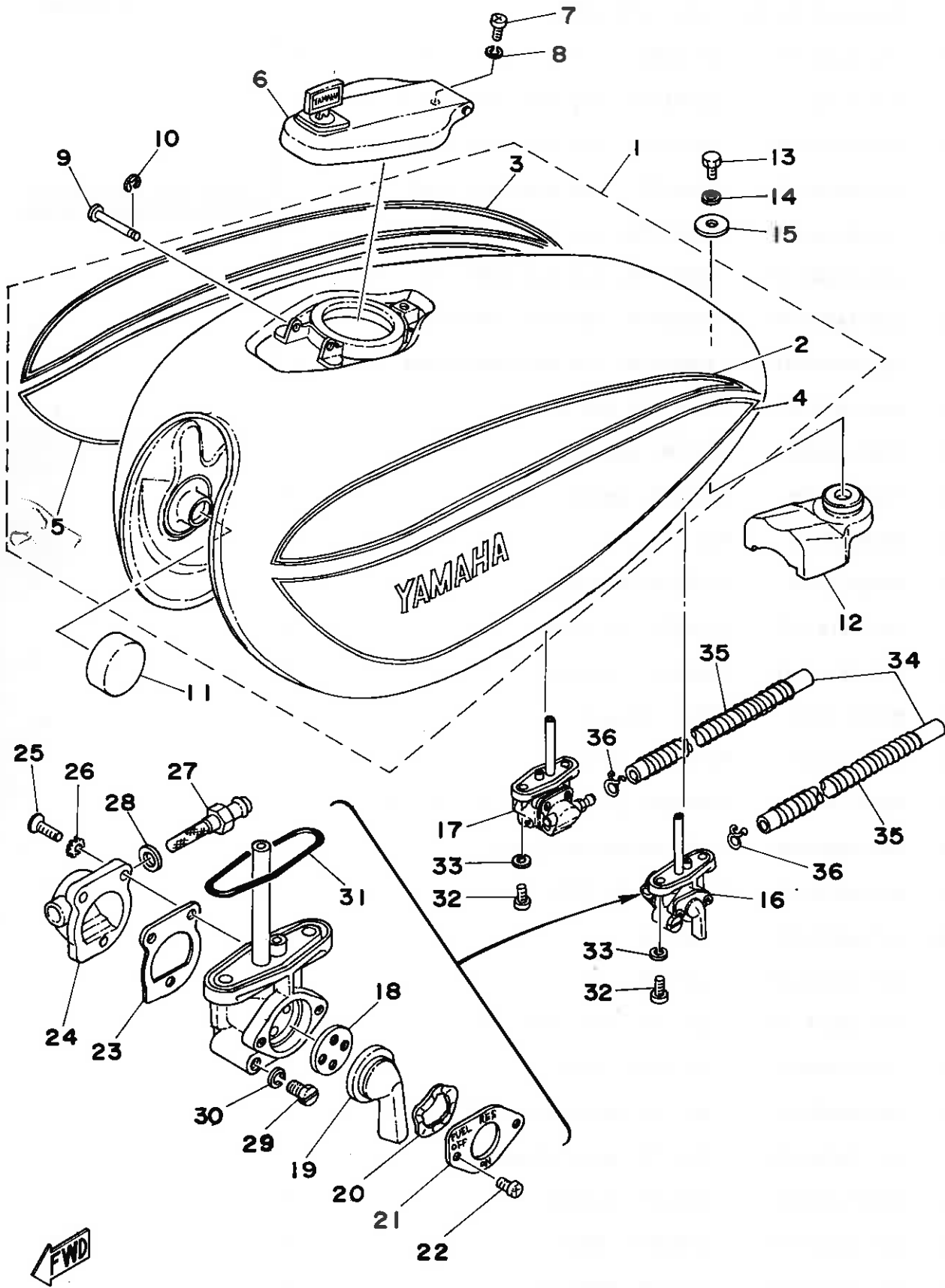
| Ref. No. | Parts No. | Description | Q'ty | Applicable Machine No. | Remarks |
|----------|--------------|----------------------------|------|---------------------------|-------------------------------|
| 30- 1 | 1J3-25850-01 | MASTER CYLINDER ASS'Y | 1 | | Niishin |
| 2 | 535-20000-60 | . CYLINDER KIT, master | 1 | | |
| 3 | 1J3-25852-01 | . CAP, reservoir | 1 | | |
| 4 | 90151-05008 | . SCREW, cap | 4 | | |
| 5 | 1J3-25855-01 | . BUSHING, diaphragm | 1 | | |
| 6 | 1J3-25854-01 | . DAIPHRAGM, reservoir | 1 | | |
| 7 | 1J3-25867-00 | BRACKET, master cylinder | 1 | | |
| 8 | 97321-06025 | BOLT, hexagon | 2 | | |
| 9 | 92901-06100 | WASHER, spring | 2 | | |
| 10 | 1T3-83922-00 | LEVER, right | 1 | | |
| 11 | 90146-06008 | SCREW, ovalhead | 1 | | |
| 12 | 90170-06010 | NUT (306-83927-00) | 1 | | |
| 13 | 90501-10312 | SPRING (306-83924-00) | 1 | | |
| 14 | 90109-06465 | SCREW | 1 | | |
| 15 | 90386-08094 | BUSHING | 1 | | |
| 16 | 95601-06100 | NUT, U | 1 | | |
| 17 | 90338-09012 | PLUG, blind (341-26329-00) | 1 | | |
| 18 | 90401-10034 | BOLT, union | 4 | | |
| 19 | 90201-10118 | WASHER, plate | 8 | | |
| 20 | 306-25862-00 | BOOT, master cylinder | 1 | | |
| 21 | 1T3-25872-00 | HOSE, brake 1 | 1 | | |
| | 1T3-25872-20 | HOSE, brake 1 | 1 | | Alternate Parts Bar Handle |
| 22 | 1J7-25885-01 | JOINT | 1 | | |
| 23 | 97301-06025 | BOLT, hexagon | 1 | | |
| 24 | 92901-06100 | WASHER, spring | 1 | | |
| 25 | 92901-06600 | WASHER, plate | 1 | | |
| 26 | 1T3-25873-00 | HOSE, brake 2 | 1 | | |
| 27 | 1J3-25875-01 | HOLDER, brake hose right | 1 | | |
| 28 | 1A0-83980-30 | FRONT STOP SWITCH ASS'Y | 1 | | |

Fig. 31 FUEL TANK



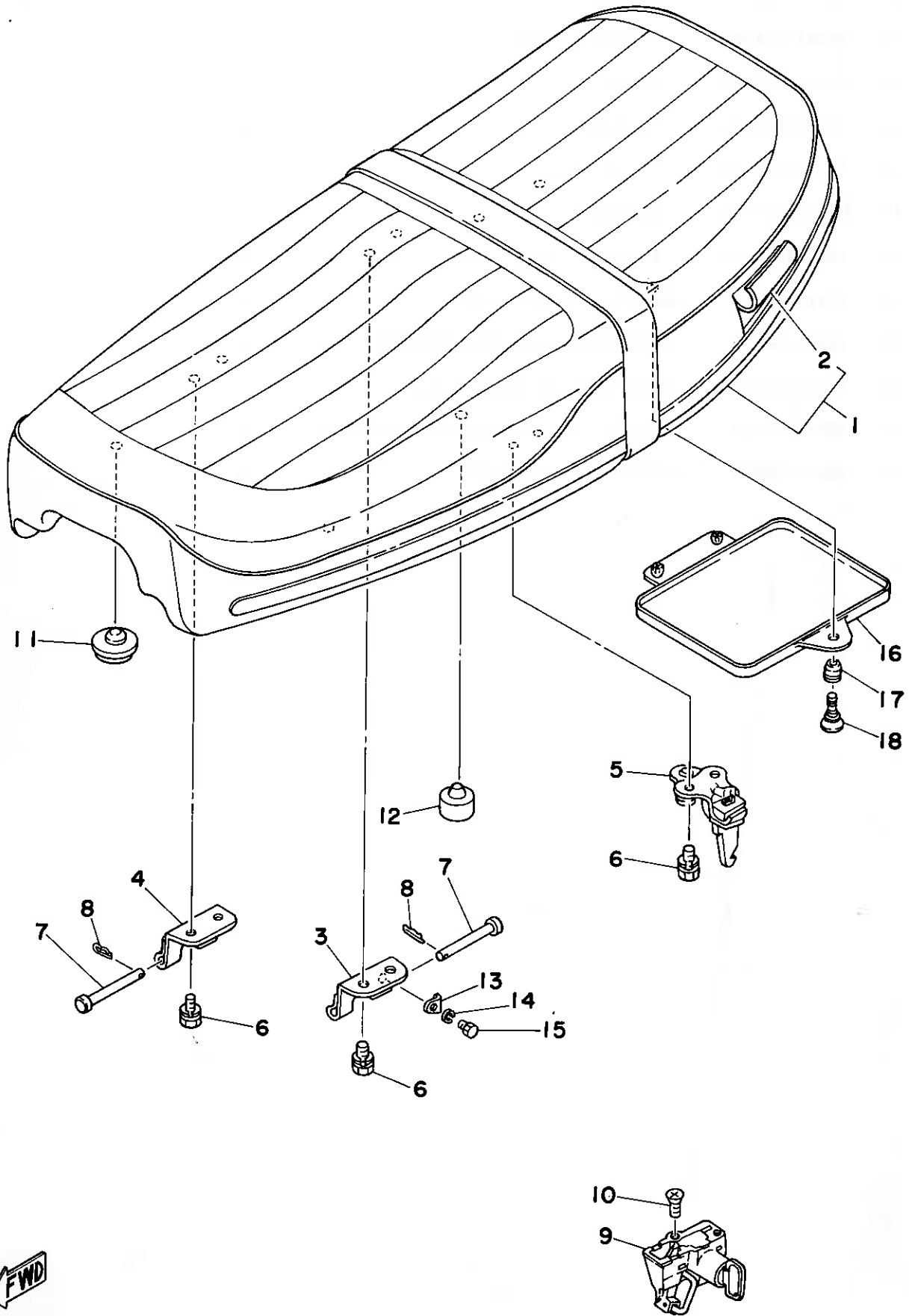
| Ref. No. | Parts No. | Description | Q'ty | Applicable Machine No. | Remarks |
|----------|-----------------|--|------|---|----------------|
| 31- 1 | 584-24110-01-X2 | FUEL TANK COMP. | 1 | | Maxi Maroon |
| | 584-24110-01-X6 | FUEL TANK COMP. | 1 | | Bountiful Blue |
| 2 | 1T3-24244-00 | . GRAPHIC, fuel tank upper left | 1 | } 1T3-XXXXX-00 for Maxi Maroon 1T3-XXXXX-10 for Bountiful Blue | |
| | 1T3-24244-10 | . GRAPHIC, fuel tank upper left | 1 | | |
| 3 | 1T3-24245-00 | . GRAPHIC, fuel tank upper right | 1 | | |
| | 1T3-24245-10 | . GRAPHIC, fuel tank upper right | 1 | | |
| 4 | 1T3-24246-00 | . GRAPHIC, fuel tank under left | 1 | | |
| | 1T3-24246-10 | . GRAPHIC, fuel tank under left | 1 | | |
| 5 | 1T3-24247-00 | . GRAPHIC, fuel tank under right | 1 | | |
| | 1T3-24247-10 | . GRAPHIC, fuel tank under right | 1 | | |
| 6 | 584-24602-00 | TANK CAP ASS'Y | 1 | | |
| 7 | 98501-05008 | SCREW, panhead | 1 | | |
| 8 | 92901-05100 | WASHER, spring | 1 | | |
| 9 | 90249-03123 | PIN | 1 | | |
| 10 | 93430-02001 | CIRCLIP (E-1.9) | 1 | | |
| 11 | 156-24181-00 | DAMPER, locating 1 | 2 | | |
| 12 | 256-24181-01 | DAMPER, locating 1 | 1 | | |
| 13 | 97321-06016 | BOLT, hexagon | 1 | | |
| 14 | 92901-06100 | WASHER, spring | 1 | | |
| 15 | 90201-06075 | WASHER, plate (808-24186-00) | 1 | | |
| 16 | 447-24500-02 | FUEL COCK ASS'Y, left | 1 | | |
| 17 | 447-24510-02 | FUEL COCK ASS'Y, right | 1 | | |
| 18 | 137-24523-00 | . VALVE | 2 | | |
| 19 | 447-24524-00 | . LEVER, cock left | 1 | | |
| | 447-24524-10 | . LEVER, cock right | 1 | | |
| 20 | 132-24518-00 | . WASHER, wave | 2 | | |
| 21 | 447-24525-00 | . PLATE, lever fitting left | 1 | | |
| | 447-24546-00 | . PLATE, lever fitting right | 1 | | |
| 22 | 98501-03008 | . SCREW, panhead | 4 | | |
| 23 | 447-24522-00 | . GASKET, filter | 2 | | |
| 24 | 447-24547-00 | . COVER, filter left | 1 | | |
| | 447-24547-10 | . COVER, filter right | 1 | | |

Fig. 31 FUEL TANK



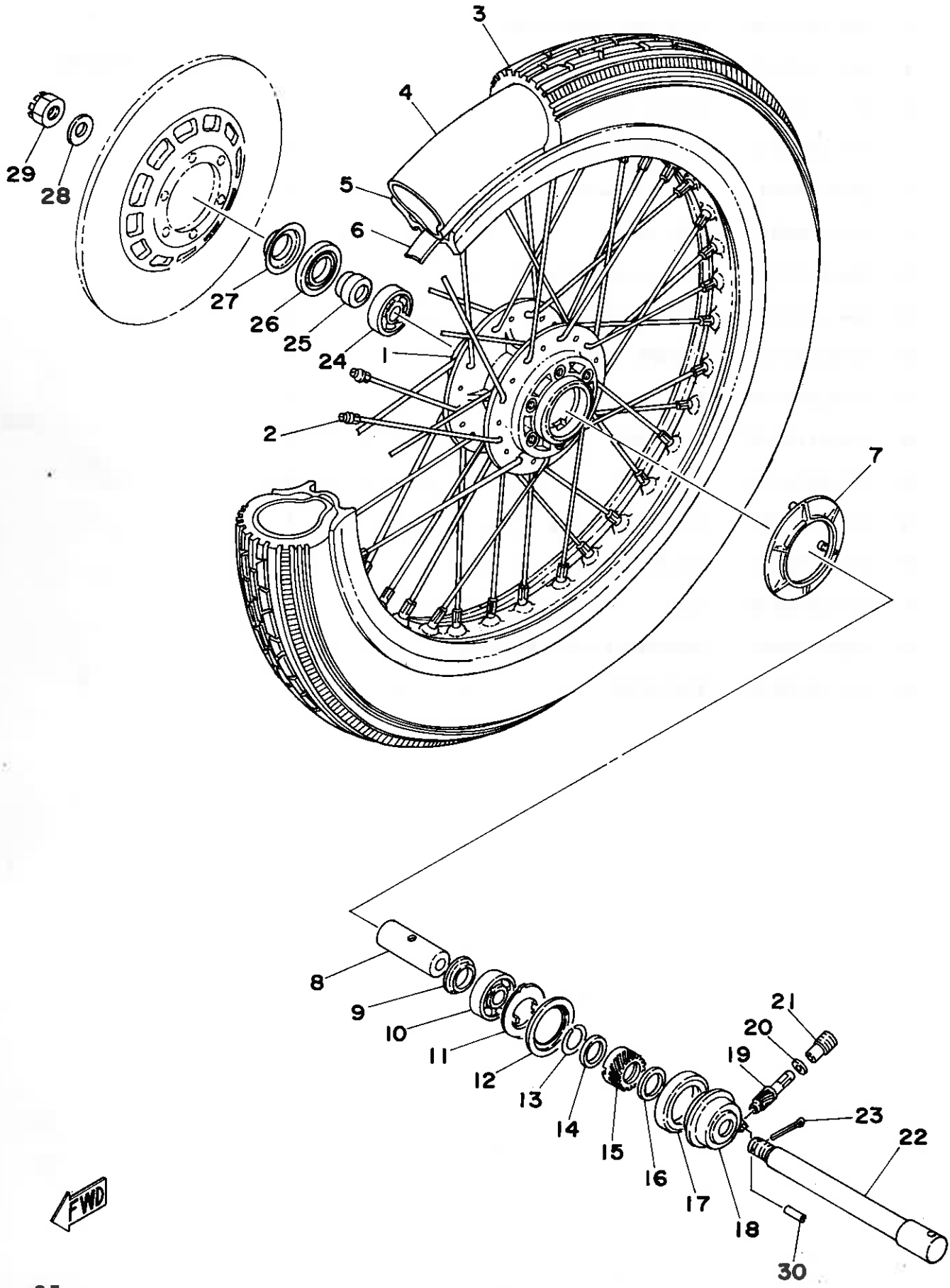
| Ref. No. | Parts No. | Description | Q'ty | Applicable Machine No. | Remarks |
|----------|--------------|------------------------------------|------|---------------------------|---------|
| 31-25 | 98701-04010 | . SCREW, flathead | 6 | | |
| 26 | 92901-04500 | . WASHER, tooth | 6 | | |
| 27 | 256-24537-00 | . NIPPLE | 2 | | |
| 28 | 256-24528-00 | . GASKET | 2 | | |
| 29 | 256-24543-00 | . PLUG, drain | 2 | | |
| 30 | 801-24437-00 | . GASKET | 2 | | |
| 31 | 256-24512-00 | . GASKET, body | 2 | | |
| 32 | 90149-06011 | SCREW (256-24143-00) | 4 | | |
| 33 | 90202-06010 | WASHER, plate (178-14766-00) | 4 | | |
| 34 | 90445-09079 | HOSE (170-24311-00 5-140) | 2 | | |
| 35 | 90501-06028 | SPRING, compression (256-24333-00) | 2 | | |
| 36 | 90467-08003 | CLIP (101-24356-00) | 4 | | |

Fig. 32 SEAT



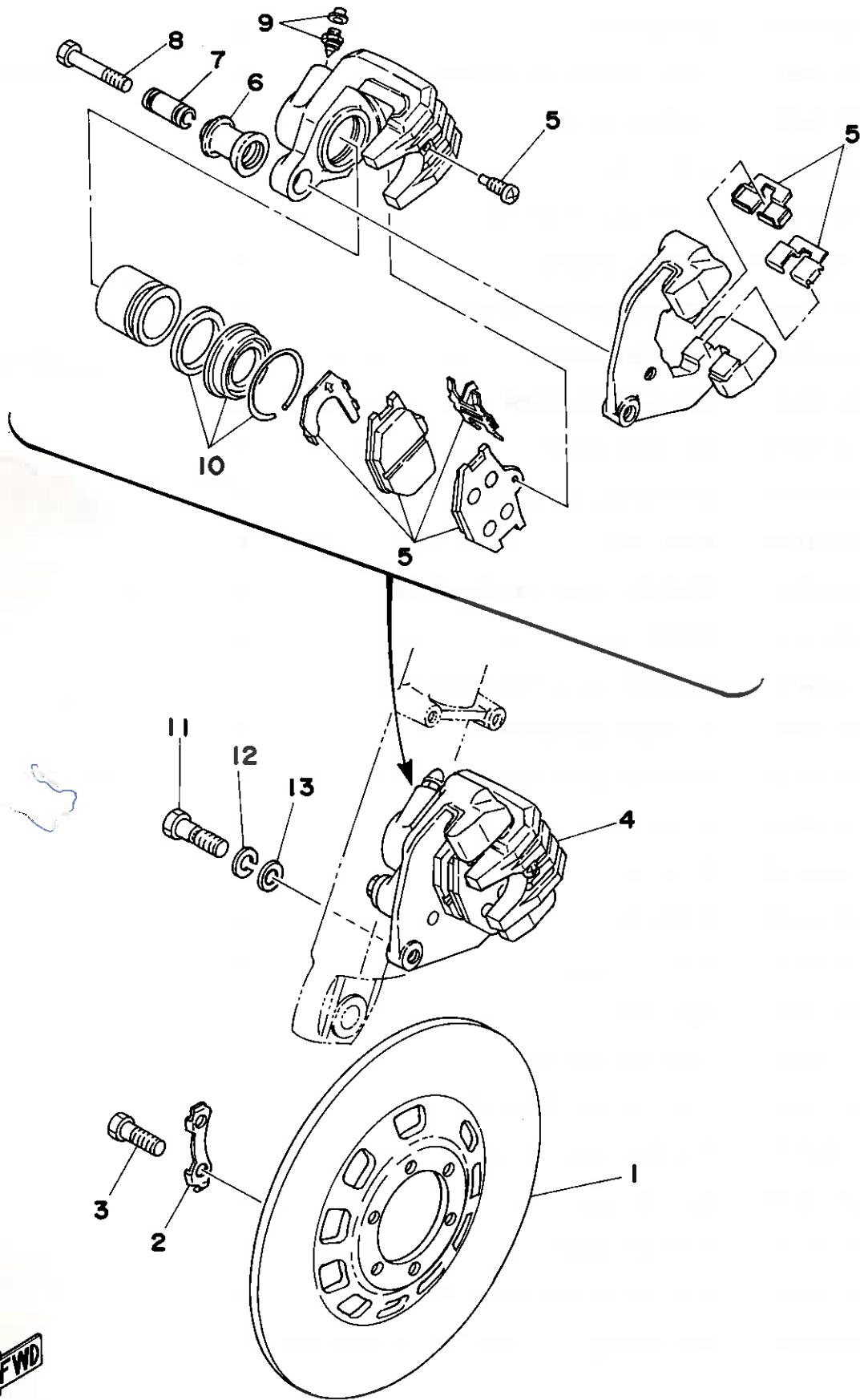
| Ref. No. | Parts No. | Description | Q'ty | Applicable Machine No. | Remarks |
|----------|-----------------|------------------------|------|---------------------------|--------------|
| 32- 1 | 1T3-24730-90 | DOUBLE SEAT ASS'Y | 1 | | |
| 2 | 1T3-24731-00 | . COVER, double seat | 1 | | |
| 3 | 389-24726-00-33 | HINGE, seat | 1 | | Yamaha Black |
| 4 | 371-24726-01 | HINGE, seat | 1 | | |
| 5 | 371-24728-00 | BRACKET, seat | 1 | | |
| 6 | 90101-06304 | BOLT, hexagon | 6 | | |
| 7 | 91501-05055 | PIN, clevis | 2 | | |
| 8 | 90460-10050 | CLIP (156-83525-00) | 2 | | |
| 9 | 584-24705-00 | SEAT LOCK ASS'Y | 1 | | |
| 10 | 92706-06012 | SCREW, flathead | 2 | | |
| 11 | 1L9-24741-00 | PAD, seat | 4 | | |
| 12 | 278-27114-00 | STOPPER | 1 | | |
| 13 | 389-24756-00 | STOPPER | 1 | | |
| 14 | 92901-06100 | WASHER, spring | 1 | | |
| 15 | 97301-06010 | BOLT, hexagon | 1 | | |
| 16 | 341-28185-00 | LID | 1 | | |
| 17 | 90480-06007 | GROMMET (341-28187-00) | 1 | | |
| 18 | 341-28188-00 | PLUNGER | 1 | | |

Fig. 33 FRONT WHEEL



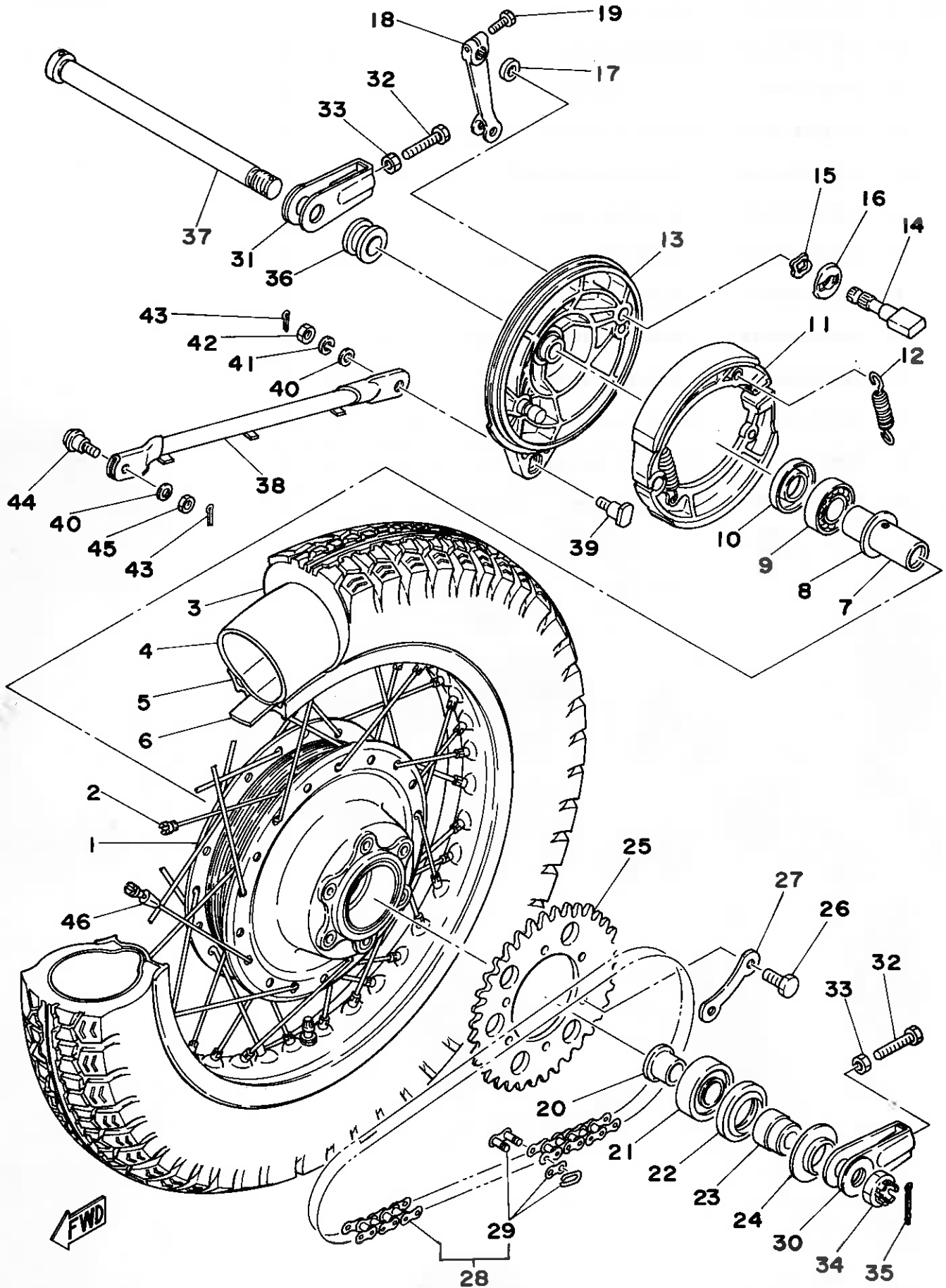
| Ref. No. | Parts No. | Description | Q'ty | Applicable Machine No. | Remarks |
|----------|--------------|------------------------------|------|------------------------|----------|
| 33- 1 | 341-25111-01 | HUB, front | 1 | | |
| 2 | 341-25104-00 | SPOKE SET | 1s | | |
| 3 | 94135-19341 | TIRE, front (3.50-19-4PR) | 1 | | YOKOHAMA |
| 4 | 94235-19034 | TUBE (3.50-19) | 1 | | |
| 5 | 94418-19145 | RIM (1.85-19) | 1 | | |
| 6 | 94325-19027 | BAND, rim (2.50-19) | 1 | | |
| 7 | 1L9-25847-00 | COVER, housing | 1 | | |
| 8 | 90560-17126 | SPACER (341-25117-01) | 1 | | |
| 9 | 152-25115-00 | FLANGE, spacer | 1 | | |
| 10 | 93306-30306 | BEARING (B6303RS) | 1 | | |
| 11 | 341-25149-00 | CLUTCH, meter | 1 | | |
| 12 | 341-25846-00 | RETAINER, meter clutch | 1 | | |
| 13 | 341-25137-00 | RING, stop | 1 | | |
| 14 | 90201-25286 | WASHER, plate (341-25147-00) | 1 | | |
| 15 | 341-25135-01 | GEAR, drive | 1 | | |
| 16 | 90201-25490 | WASHER, plate (152-17226-00) | 1 | | |
| 17 | 93102-28022 | OIL SEAL (SD-28-47-7) | 1 | | |
| 18 | 341-25191-01 | HOUSING, gear unit | 1 | | |
| 19 | 306-25138-00 | GEAR, meter | 1 | | |
| 20 | 102-18416-00 | SHIM (6.2-9.5-0.8) | 1 | | |
| 21 | 306-25136-00 | BUSHING | 1 | | |
| 22 | 341-25181-01 | SHAFT, wheel | 1 | | |
| 23 | 91401-30030 | PIN, cotter | 1 | | |
| 24 | 93306-30307 | BEARING (B6303) | 1 | | |
| 25 | 90387-17433 | COLLAR (341-25183-00) | 1 | | |
| 26 | 93105-45017 | OIL SEAL (SDO-45-56-6) | 1 | | |
| 27 | 341-25118-00 | COVER, dust | 1 | | |
| 28 | 92901-14200 | WASHER, plain | 1 | | |
| 29 | 90171-14006 | NUT, castle (214-25182-01) | 1 | | |
| 30 | 91609-20014 | PIN, spring | 1 | | |

Fig. 34 DISK BRAKE · CALIPER



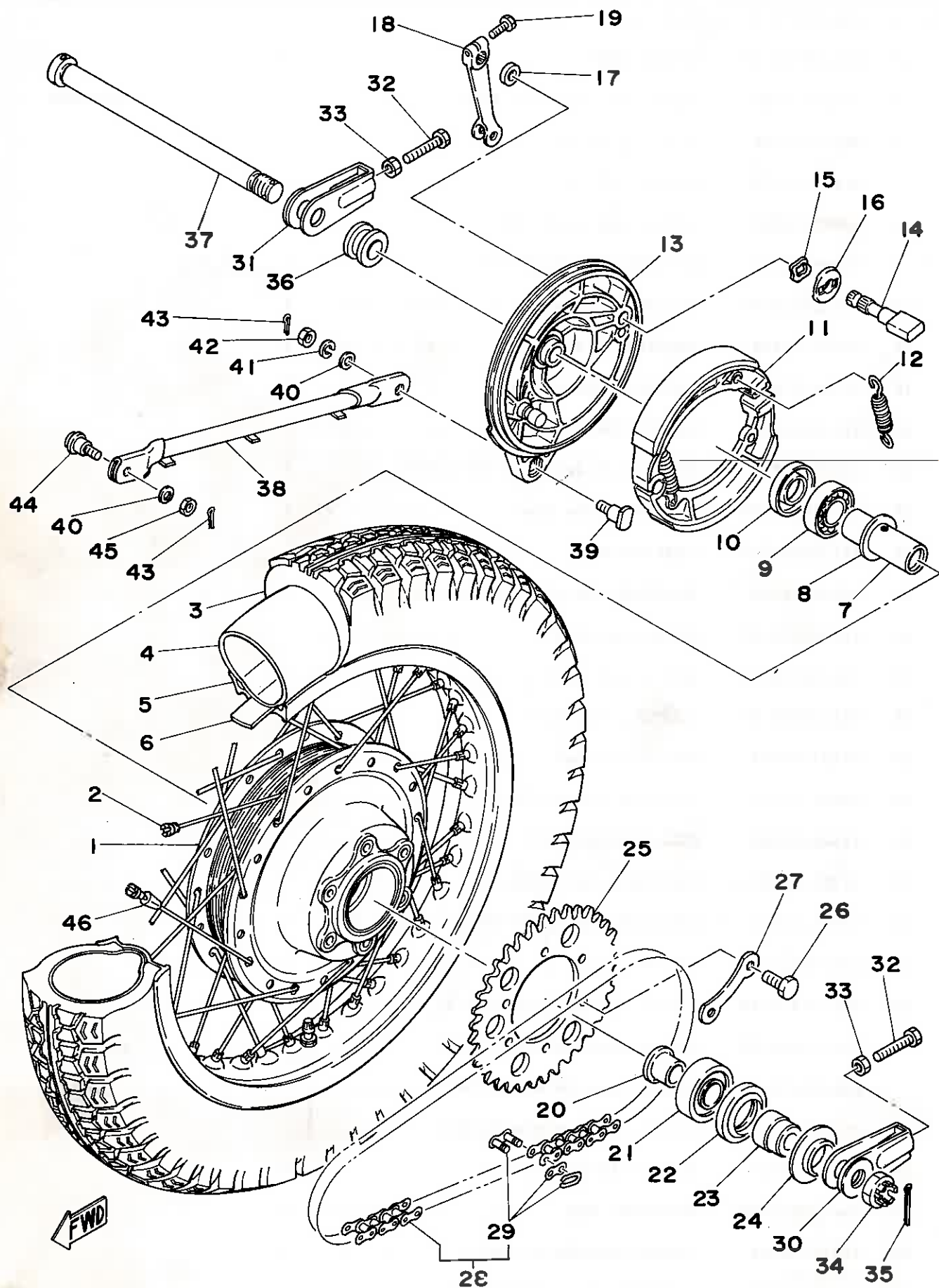
| Ref. No. | Parts No. | Description | Qty | Applicable Machine No. | Remarks |
|----------|--------------|----------------------------------|-----|------------------------|---------|
| 34- 1 | 1J3-25831-00 | DISK, front brake | 1 | | |
| 2 | 1J3-25834-01 | WASHER, lock | 3 | | |
| 3 | 90101-08307 | BOLT, hexagon | 6 | | |
| 4 | 1J3-25810-02 | FRONT CALIPER ASS'Y, right | 1 | | |
| ✓5 | 1J3-20000-12 | . CALIPER PAD KIT | 1 | | |
| 6 | 1J3-25917-00 | . BUSHING, boot | 1 | | |
| 7 | 1J3-25843-00 | . SLEEVE | 1 | | |
| 8 | 90105-08092 | . BOLT, support | 1 | | |
| 9 | 1J3-20000-30 | . SCREW, bleed with cap | 1 | | |
| 10 | 1J3-20000-20 | . CALIPER SEAL KIT | 1 | | |
| 11 | 90101-10308 | BOLT, hexagon | 2 | | |
| 12 | 92901-10100 | WASHER, spring | 2 | | |
| 13 | 92901-10200 | WASHER, plain | 2 | | |

Fig. 35 REAR WHEEL



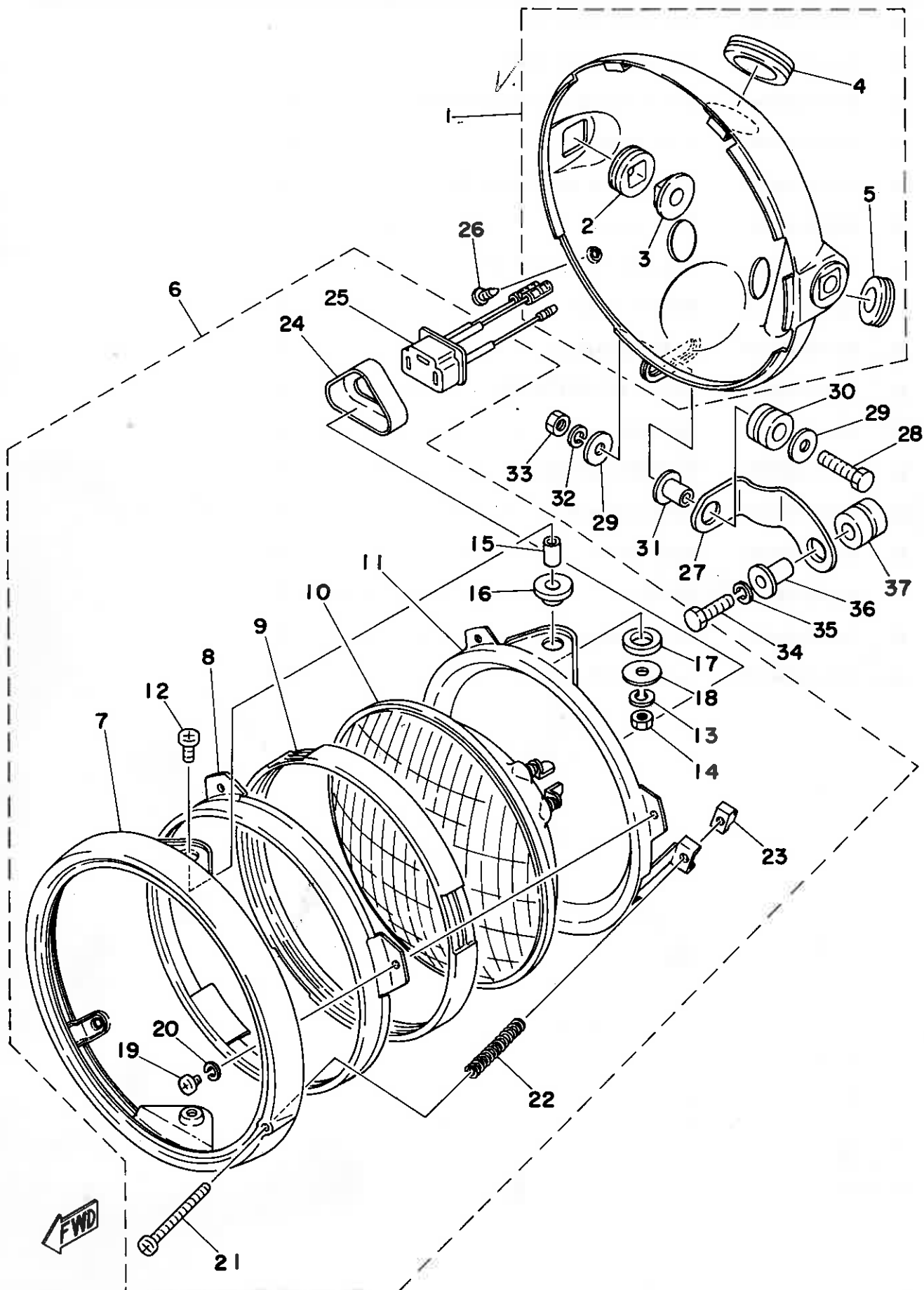
| Ref. No. | Parts No. | Description | Q'ty | Applicable Machine No. | Remarks |
|----------|--------------|--------------------------------|------------|------------------------|----------|
| 35- 1 | 256-25311-00 | HUB, rear | 1 | | |
| 2 | 256-25304-00 | SPOKE SET | 1s | | |
| 3 | 94140-18340 | TIRE, rear (4.00-18-4PR) | 1 | | YOKOHAMA |
| 4 | 94240-18024 | TUBE (4.00-18) | 1 | | |
| 5 | 94421-18126 | RIM (2.15B-18) | 1 | | |
| 6 | 94340-18022 | BAND, rim (4.00-18) | 1 | | |
| 7 | 90560-20135 | SPACER (256-25317-00) | 1 | | |
| 8 | 256-25315-00 | FLANGE, spacer | 1 | | |
| 9 | 93306-30404 | BEARING (B6304Z) | 1 | | |
| 10 | 93104-27026 | OIL SEAL (SO-27-52-5) | 1 | | |
| 11 | 447-25330-01 | BRAKE SHOE COMP. | 2 | | |
| 12 | 90507-20002 | SPRING, tension (246-25333-00) | 2 | | |
| 13 | 447-25321-00 | PLATE, brake shoe | 1 | | |
| 14 | 341-25351-00 | CAM SHAFT | 1 | | |
| 15 | 90206-14020 | WASHER, wave (648-42188-00) | 1 | | |
| 16 | 447-25353-00 | SHIM, cam shaft | 1 | | |
| 17 | 148-25359-00 | SEAL, cam shaft | 1 | | |
| 18 | 341-25355-00 | LEVER, cam shaft | 1 | | |
| 19 | 90101-06291 | BOLT, hexagon | 1 | | |
| 20 | 90387-20166 | COLLAR (256-25376-00) | 1 | | |
| 21 | 93306-30507 | BEARING (B6305Z) | 1 | | |
| 22 | 93102-35065 | OIL SEAL (SD-35-62-9) | 1 | | |
| 23 | 90387-20176 | COLLAR (256-25377-00) | 1 | | |
| 24 | 256-25367-00 | COVER, dust | 1 | | |
| 25 | 256-25432-20 | GEAR, sprocket wheel (32T) | } U.R 1 | | STD |
| | 256-25433-20 | GEAR, sprocket wheel (33T) | | | |
| | 256-25434-20 | GEAR, sprocket wheel (34T) | | | |
| | 256-25436-20 | GEAR, sprocket wheel (36T) | | | |
| 26 | 90105-10007 | BOLT (146-25411-00) | 6 | | |
| 27 | 256-25412-00 | WASHER, lock | 3 | | |
| 28 | 94575-30104 | CHAIN (DK530HDS-104L) | 1 | | |
| 29 | 94675-30011 | . JOINT, chain (DK530HDS) | 1 | | |

Fig. 35 REAR WHEEL



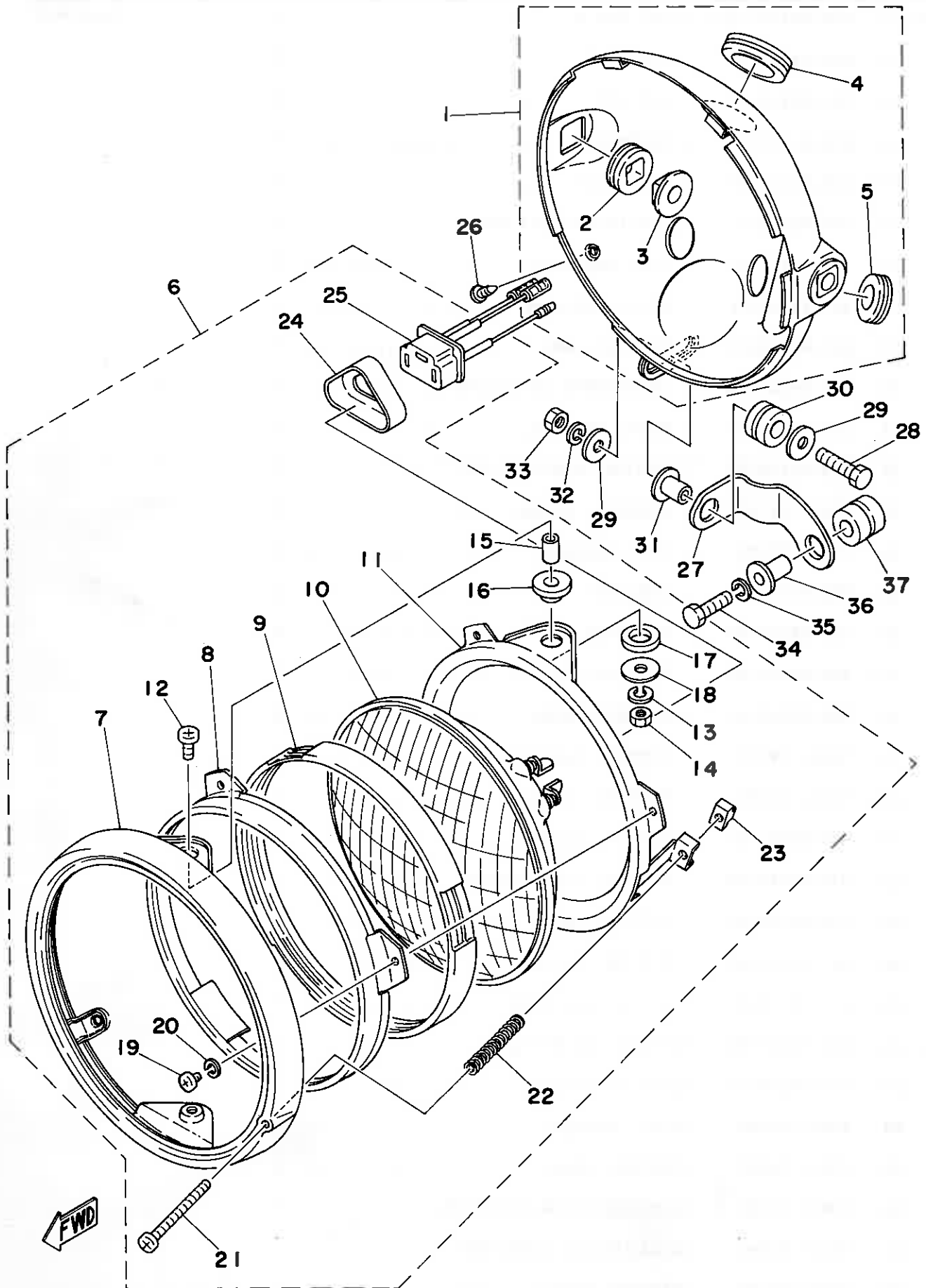
| Ref. No. | Parts No. | Description | Q'ty | Applicable Machine No. | Remarks |
|----------|--------------|------------------------------|------|---------------------------|---------|
| 35-30 | 341-25388-01 | PULLER, chain left | 1 | | |
| 31 | 341-25389-00 | PULLER, chain right | 1 | | |
| 32 | 90101-08034 | BOLT, hexagon (168-25479-00) | 2 | | |
| 33 | 90170-08158 | NUT, hexagon | 2 | | |
| 34 | 90171-18008 | NUT, castle (256-25382-00) | 1 | | |
| 35 | 91401-40035 | PIN, cotter | 1 | | |
| 36 | 90387-20444 | COLLAR (341-25383-00) | 1 | | |
| 37 | 341-25381-00 | SHAFT, wheel | 1 | | |
| 38 | 341-25371-00 | BAR, tension | 1 | | |
| 39 | 90109-08338 | BOLT (341-25378-00) | 1 | | |
| 40 | 92901-08600 | WASHER, plate | 2 | | |
| 41 | 92901-08100 | WASHER, spring | 1 | | |
| 42 | 90170-08158 | NUT, hexagon | 1 | | |
| 43 | 91401-20015 | PIN, cotter | 2 | | |
| 44 | 90109-08374 | BOLT | 1 | | |
| 45 | 90170-08157 | NUT, hexagon | 1 | | |
| 46 | 156-25398-00 | BALANCER, wheel | U.N | | |

Fig. 36 HEAD LAMP



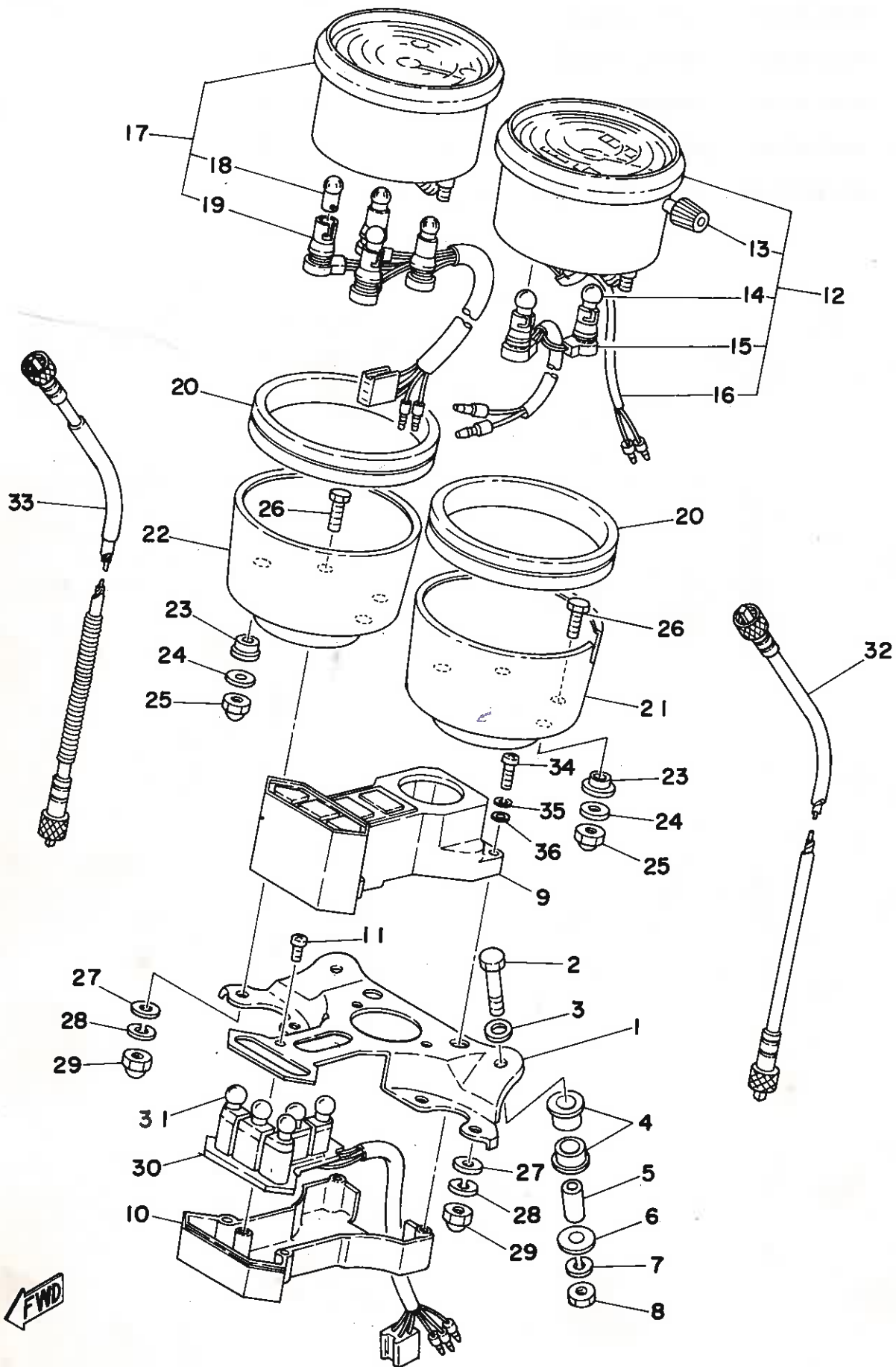
| Ref. No. | Parts No. | Description | Q'ty | Applicable Machine No. | Remarks |
|----------|-----------------|---------------------------|------|---------------------------|--------------|
| 36- 1 | 584-84330-61-33 | BODY ASS'Y | 1 | | Yamaha Black |
| 2 | 584-84345-60 | . BUSHING | 2 | | |
| 3 | 584-84338-60 | . COLLAR | 2 | | |
| 4 | 214-84153-60 | . GROMMET | 1 | | |
| 5 | 150-84153-00 | . GROMMET | 2 | | |
| 6 | 584-84310-61 | HEAD LAMP UNIT ASS'Y | 1 | | |
| 7 | 341-84315-40 | . RIM, head lamp | 1 | | |
| 8 | 447-84395-61 | . RING, retaining | 1 | | |
| 9 | 447-84322-61 | . GASKET, lens | 1 | | |
| 10 | 341-84320-60 | . LENS ASS'Y (12V-50/40W) | 1 | | |
| 11 | 584-84394-60 | . RING, mounting | 1 | | |
| 12 | 584-84398-60 | . SCREW, mounting ring | 2 | | |
| 13 | 92901-05100 | . WASHER, spring | 2 | | |
| 14 | 95301-05600 | . NUT, hexagon | 2 | | |
| 15 | 584-84392-60 | . COLLAR | 2 | | |
| 16 | 584-84393-60 | . DAMPER, A | 2 | | |
| 17 | 584-84399-60 | . DAMPER, B | 1 | | |
| 18 | 584-84344-60 | . WASHER, plain | 2 | | |
| 19 | 98501-04008 | . SCREW, panhead | 3 | | |
| 20 | 92901-04100 | . WASHER, spring | 3 | | |
| 21 | 447-84331-61 | . SCREW, adjusting | 1 | | |
| 22 | 447-84332-61 | . SPRING, compression | 1 | | |
| 23 | 198-84334-60 | . NUT, adjusting | 1 | | |
| 24 | 341-84397-61 | . COVER, socket | 1 | | |
| 25 | 371-84312-60 | . CORD, head lamp | 1 | | |
| 26 | 195-84325-00 | SCREW, rim fitting | 2 | | |
| 27 | 1T3-84318-00 | STAY, head lamp | 1 | | |
| 28 | 97323-06030 | BOLT, hexagon | 1 | | |
| 29 | 90201-06380 | WASHER, plate | 2 | | |
| 30 | 90480-14102 | GROMMET (214-21717-00) | 1 | | |
| 31 | 90387-06388 | COLLAR (322-21544-00) | 1 | | |
| 32 | 92901-06100 | WASHER, spring | 1 | | |

Fig. 36 HEAD LAMP



| Ref. No. | Parts No. | Description | Q'ty | Applicable Machine No. | Remarks |
|----------|--------------|----------------------|------|---------------------------|---------|
| 36-33 | 95301-06600 | NUT, hexagon | 1 | | |
| 34 | 97323-06025 | BOLT, hexagon | 1 | | |
| 35 | 92901-06100 | WASHER, spring | 1 | | |
| 36 | 90387-07549 | COLLAR | 1 | | |
| 37 | 447-84390-00 | GROMMET | 1 | | |

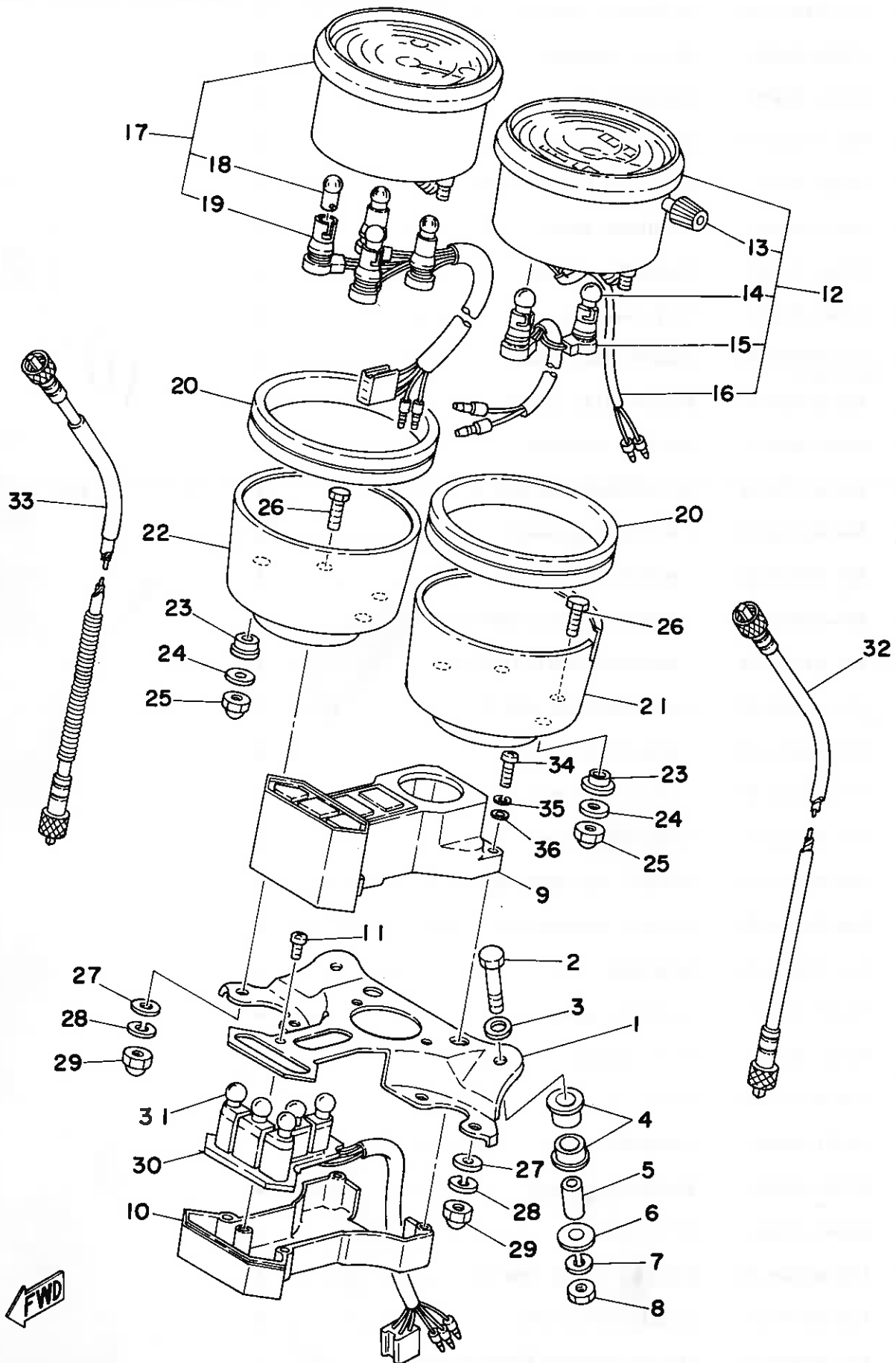
Fig. 37 SPEEDOMETER · TACHOMETER



| Ref. No. | Parts No. | Description | Q'ty | Applicable Machine No. | Remarks |
|----------|--------------|-------------------------|------|------------------------|---------|
| 37- 1 | 1J3-83519-00 | BRACKET, meter | 1 | | |
| 2 | 97306-06040 | BOLT, hexagon | 2 | | |
| 3 | 92906-06600 | WASHER, plate | 2 | | |
| 4 | 584-83523-00 | DAMPER, meter | 4 | | |
| 5 | 90387-06249 | COLLAR (6.5-10.5-26) | 2 | | |
| 6 | 90201-06380 | WASHER, plate | 2 | | |
| 7 | 92901-06100 | WASHER, spring | 2 | | |
| 8 | 95301-06600 | NUT, hexagon | 2 | | |
| 9 | 1T3-83568-00 | PILOT BOX, upper | 1 | | |
| 10 | 1J3-83569-71 | PILOT BOX, under | 1 | | |
| 11 | 98501-05010 | SCREW, panhead | 1 | | |
| 12 | 1J3-83570-21 | SPEEDOMETER ASS'Y | 1 | | Km/h |
| 13 | 584-83578-71 | . KNOB, trip meter | 1 | | |
| 14 | 123-83516-21 | . BULB (12V-3.4W) | 2 | | |
| 15 | 584-83536-01 | . SOCKET CORD ASS'Y 1 | 1 | | |
| 16 | 1J3-83556-01 | . SOCKET CORD ASS'Y 4 | 1 | | |
| 17 | 1T3-83540-00 | TACHOMETER ASS'Y | 1 | | |
| 18 | 123-83516-21 | . BULB (12V-3.4W) | 4 | | |
| 19 | 1T3-83520-00 | . SOCKET CORD ASS'Y 3 | 1 | | |
| 20 | 584-83513-00 | DAMPER, meter | 2 | | |
| 21 | 584-83507-00 | COVER, speedometer | 1 | | |
| 22 | 584-83508-00 | COVER, tachometer | 1 | | |
| 23 | 584-83523-00 | DAMPER | 4 | | |
| 24 | 90201-05031 | WASHER, plate | 4 | | |
| 25 | 95301-05800 | NUT, crown | 4 | | |
| 26 | 584-83546-00 | BOLT | 4 | | |
| 27 | 92901-06200 | WASHER, plain | 4 | | |
| 28 | 92901-06100 | WASHER, spring | 4 | | |
| 29 | 95301-06800 | NUT, crown | 4 | | |
| 30 | 1T3-83509-00 | SOCKET CORD ASS'Y 2 | 1 | | |
| 31 | 123-83516-21 | BULB (12V-3.4W) | 4 | | |
| 32 | 341-83550-00 | SPEEDOMETER CABLE ASS'Y | 1 | | |

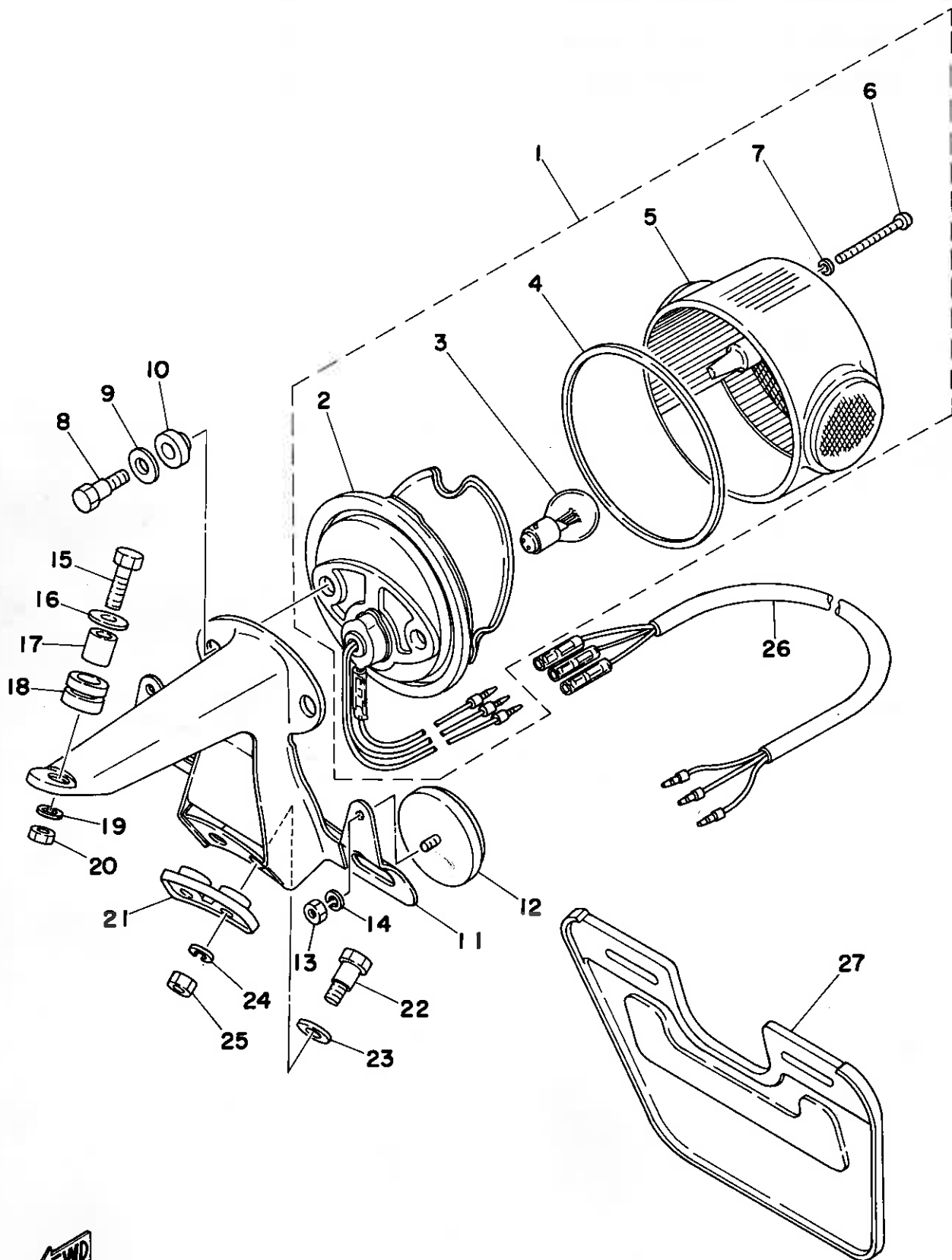
10330

Fig. 37 SPEEDOMETER · TACHOMETER



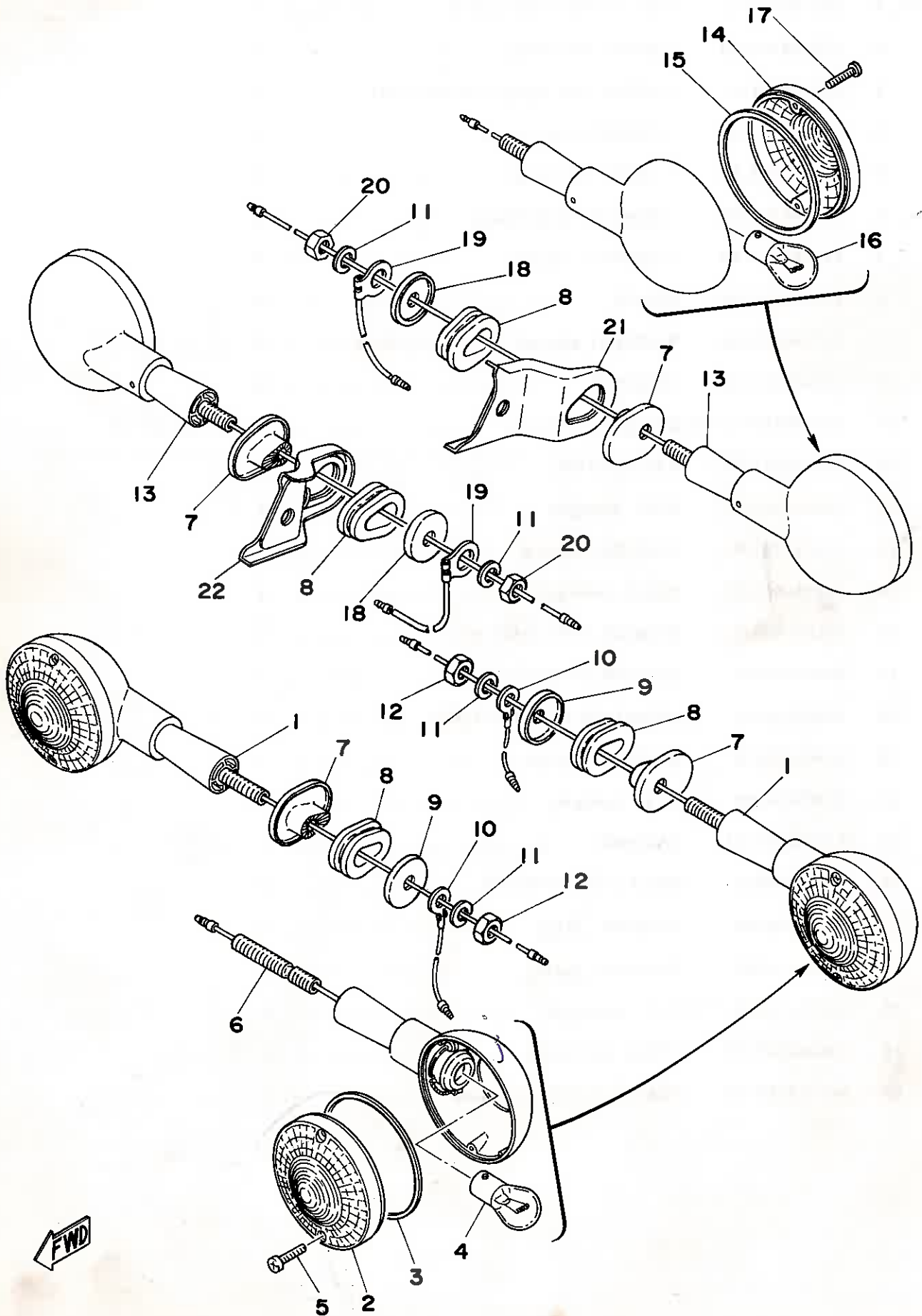
| Ref. No. | Parts No. | Description | Q'ty | Applicable Machine No. | Remarks |
|----------|--------------|------------------------|---------|---------------------------|---------|
| 37-33 | 447-83560-00 | TACHOMETER CABLE ASS'Y | 1 | | |
| 34 | 98506-04020 | SCREW, panhead | 4 | | |
| 35 | 92906-04100 | WASHER, spring | 4 | | |
| 36 | 92906-04600 | WASHER, plate | 4 | | |

Fig. 38 TAIL LAMP



| Ref. No. | Parts No. | Description | Q'ty | Applicable Machine No. | Remarks |
|----------|-----------------|--------------------------------|------|---------------------------|---------|
| 38- 1 | 371-84710-61 | TAIL LAMP UNIT ASS'Y | 1 | | |
| 2 | 371-84711-61 | . BASE, tail lamp | 1 | | |
| 3 | 256-84714-61 | . BULB, tail lamp (12V-32/3CP) | 1 | | |
| 4 | 275-84523-60 | . GASKET, tail lamp | 1 | | |
| 5 | 341-84721-60 | . LENS, tail lamp | 1 | | |
| 6 | 341-84724-60 | . SCREW, lens fitting | 3 | | |
| 7 | 341-84722-60 | . GASKET, screw | 3 | | |
| 8 | 479-84526-00 | SCREW | 2 | | |
| 9 | 437-84525-60 | WASHER, special | 2 | | |
| 10 | 275-84527-60 | DAMPER | 2 | | |
| 11 | 341-84751-61-93 | BRACKET, license | 1 | | |
| 12 | 341-85111-60 | REFLECTOR | 2 | | |
| 13 | 95303-05600 | NUT, hexagon | 2 | | |
| 14 | 92903-05100 | WASHER, spring | 2 | | |
| 15 | 97303-06025 | BOLT, hexagon | 1 | | |
| 16 | 90209-06095 | WASHER (102-28323-00) | 1 | | |
| 17 | 90387-07390 | COLLAR (7-10-11.5) | 1 | | |
| 18 | 90480-14102 | GROMMET (214-21717-00) | 1 | | |
| 19 | 92901-06100 | WASHER, spring | 1 | | |
| 20 | 95301-06600 | NUT, hexagon | 1 | | |
| 21 | 214-84553-01 | DAMPER | 1 | | |
| 22 | 90109-06017 | BOLT (168-21738-00) | 2 | | |
| 23 | 92901-08200 | WASHER, plain | 2 | | |
| 24 | 92901-06100 | WASHER, spring | 2 | | |
| 25 | 95301-06600 | NUT, hexagon | 2 | | |
| 26 | 438-84517-00 | CORD, tail lamp | 1 | | |
| 27 | 447-28189-00 | PLATE, number support | 1 | | |

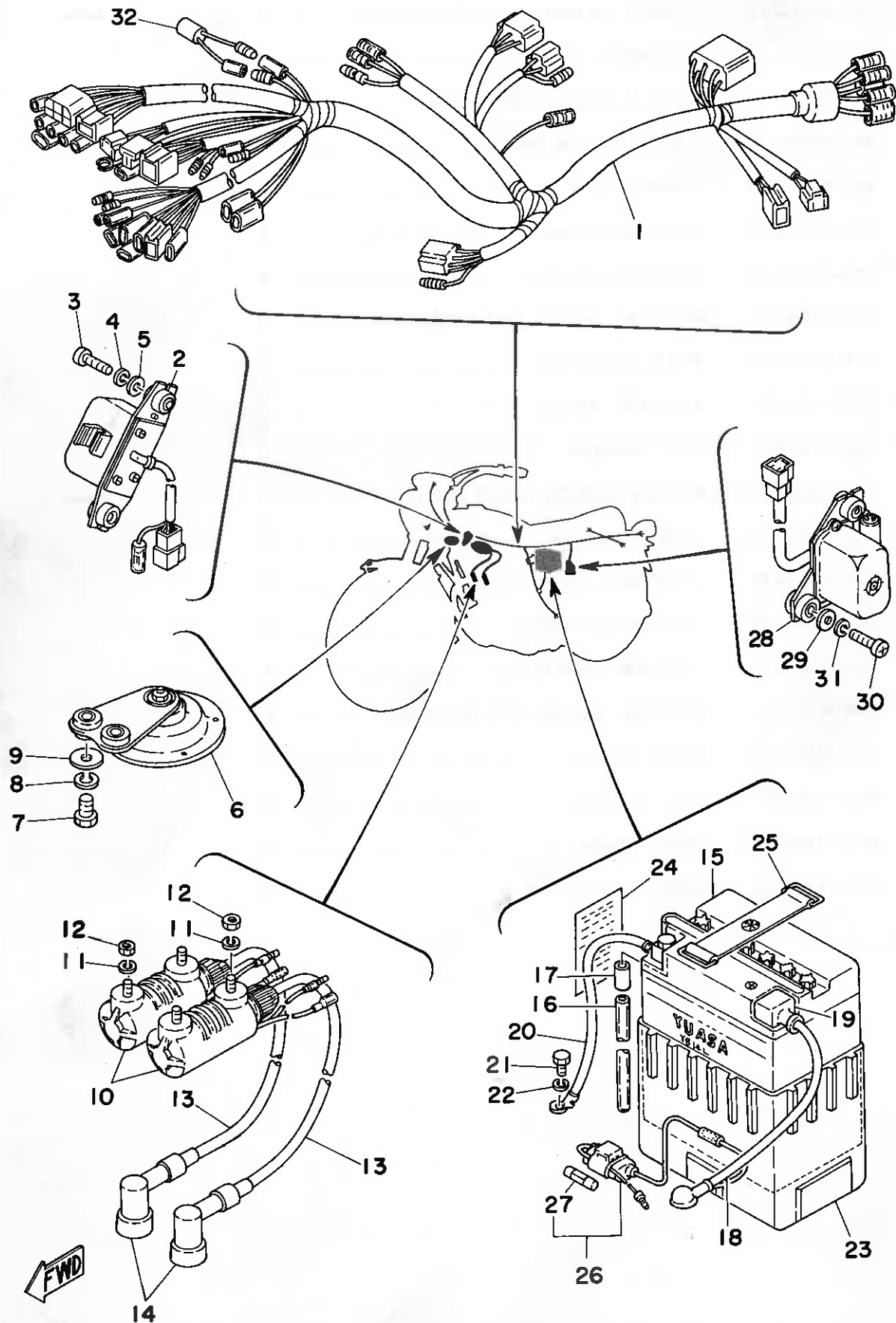
Fig. 39 FLASHER LAMP



FWD

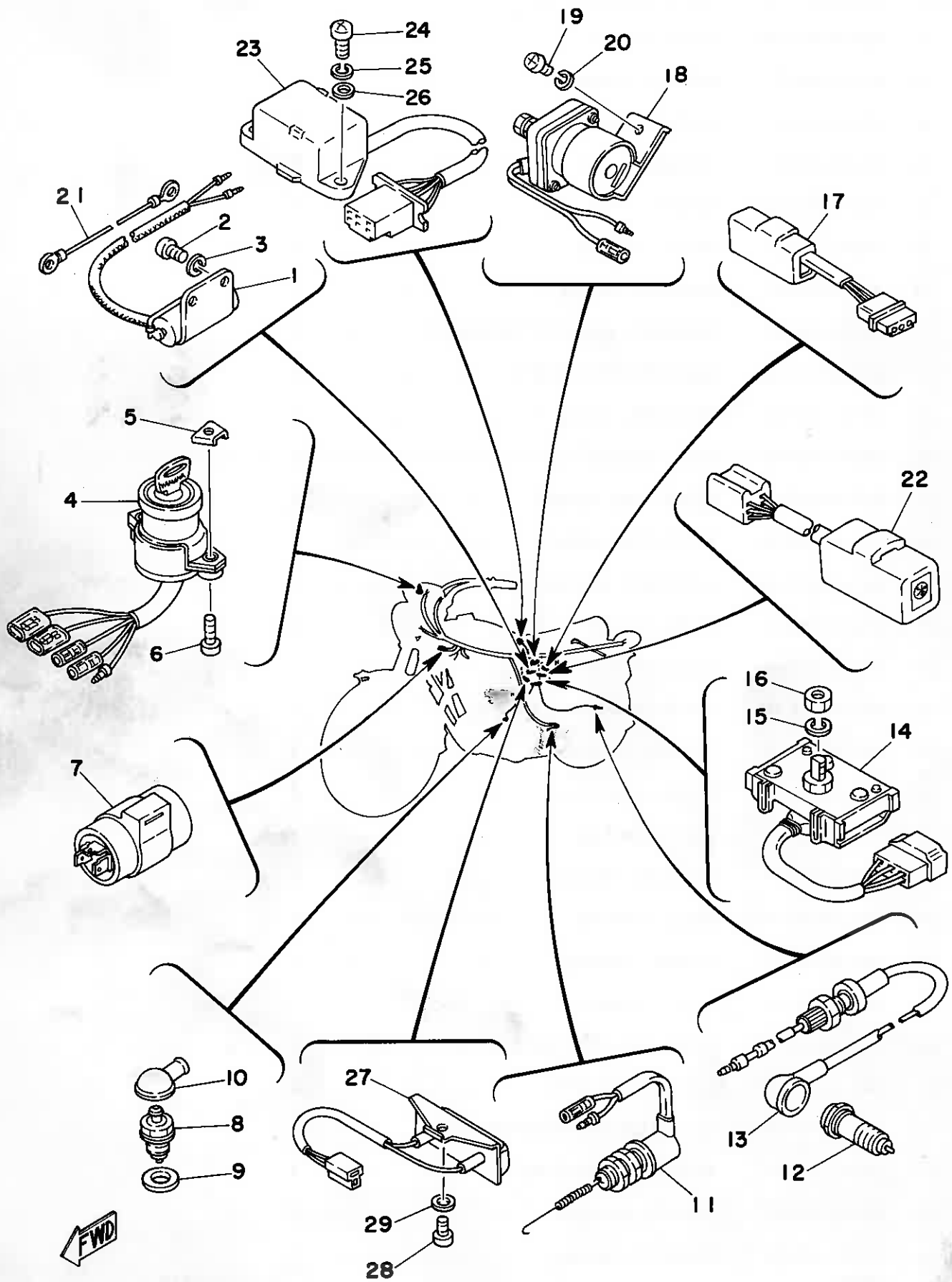
| Ref. No. | Parts No. | Description | Q'ty | Applicable Machine No. | Remarks |
|----------|-----------------|--------------------------------|---------|------------------------|---------|
| 39- 1 | 341-83310-72-93 | FRONT FLASHER LAMP ASS'Y | 2 | | |
| 2 | 341-83312-70 | . LENS, flasher | 2 | | Amber |
| 3 | 341-83313-70 | . GASKET, lens | 2 | | |
| 4 | 256-83311-70 | . BULB, flasher (12V-32CP) | 2 | | |
| 5 | 341-83333-70 | . SCREW, lens fitting | 4 | | |
| 6 | 341-83367-00 | . BOLT, stud | 2 | | |
| 7 | 366-83316-00 | COLLAR, flasher | 4 | | |
| 8 | 256-83321-00 | DAMPER, flasher | 4 | | |
| 9 | 90209-08098 | WASHER, special (341-83348-00) | 2 | | |
| 10 | 371-82519-00 | WIRE, earth lead | 2 | | |
| 11 | 92901-08100 | WASHER, spring | 4 | | |
| 12 | 95301-08700 | NUT, hexagon | 2 | | |
| 13 | 1E5-83330-20-93 | REAR FLASHER LAMP ASS'Y | 2 | | Amber |
| 14 | 341-83312-70 | . LENS, flasher | 2 | | |
| 15 | 341-83313-70 | . GASKET, lens | 2 | | |
| 16 | 256-83311-70 | . BULB (12V-32CP) | 2 | | |
| 17 | 341-83333-70 | . SCREW, lens fitting | 4 | | |
| 18 | 90209-08028 | WASHER, special (275-83359-00) | 2 | | |
| 19 | 447-83336-01 | CORD, flasher | 2 | | |
| 20 | 95301-08600 | NUT, hexagon | 2 | | |
| 21 | 447-83368-00 | STAY, flasher 3 | 1 | | |
| 22 | 447-83369-00 | STAY, flasher 4 | 1 | | |

Fig. 40 ELECTRICAL 1



| Ref. No. | Parts No. | Description | Q'ty | Applicable Machine No. | Remarks |
|----------|--------------|------------------------------|------|------------------------|----------|
| 40- 1 | 1T3-82590-50 | WIRE HARNESS ASS'Y | 1 | | |
| 2 | 447-81950-50 | RELAY ASS'Y | 1 | | |
| 3 | 92501-06025 | SCREW, panhead | 2 | | |
| 4 | 92901-06100 | WASHER, spring | 2 | | |
| 5 | 90201-06052 | WASHER, plate (136-22316-00) | 2 | | |
| 6 | 366-83371-52 | HORN | 1 | | |
| 7 | 97301-08025 | BOLT, hexagon | 2 | | |
| 8 | 92901-08100 | WASHER, spring | 2 | | |
| 9 | 90201-08107 | WASHER, plate (137-24186-00) | 2 | | |
| 10 | 254-82310-60 | IGNITION COIL ASS'Y | 2 | | |
| 11 | 92901-06100 | WASHER, spring | 4 | | |
| 12 | 95301-06600 | NUT, hexagon | 4 | | |
| 13 | 447-82341-00 | CORD, high tension | 2 | | |
| 14 | 512-82370-10 | PLUG CAP ASS'Y | 2 | | |
| 15 | 447-82110-81 | BATTERY ASS'Y (YB14L-A2) | 1 | | 12V-14AH |
| 16 | 90445-08048 | HOSE (341-82112-00) | 1 | | |
| 17 | 90386-07043 | COLLAR (7.6-9.5-20) | 1 | | |
| 18 | 447-82115-01 | WIRE, plus lead | 1 | | |
| 19 | 447-82119-00 | COVER, lead wire | 1 | | |
| 20 | 447-82116-00 | WIRE, minus lead | 1 | | |
| 21 | 97301-06012 | BOLT, hexagon | 1 | | |
| 22 | 92901-06100 | WASHER, spring | 1 | | |
| 23 | 447-82122-00 | SEAT, battery | 1 | | |
| 24 | 104-82141-09 | LABEL, battery | 1 | | |
| 25 | 120-82131-00 | BAND, battery | 1 | | |
| 26 | 1E2-82150-00 | FUSE HOLDER ASS'Y | 1 | | |
| 27 | 148-82151-00 | . FUSE (12V-20A) | 2 | | |
| 28 | 447-81910-10 | VOLTAGE REGULATOR ASS'Y | 1 | | |
| 29 | 90201-06052 | WASHER, plate (136-22316-00) | 2 | | |
| 30 | 92501-06025 | SCREW, panhead | 2 | | |
| 31 | 92901-06100 | WASHER, spring | 2 | | |
| 32 | 341-81980-01 | DIODE ASS'Y | 1 | | |

Fig. 41 ELECTRICAL 2



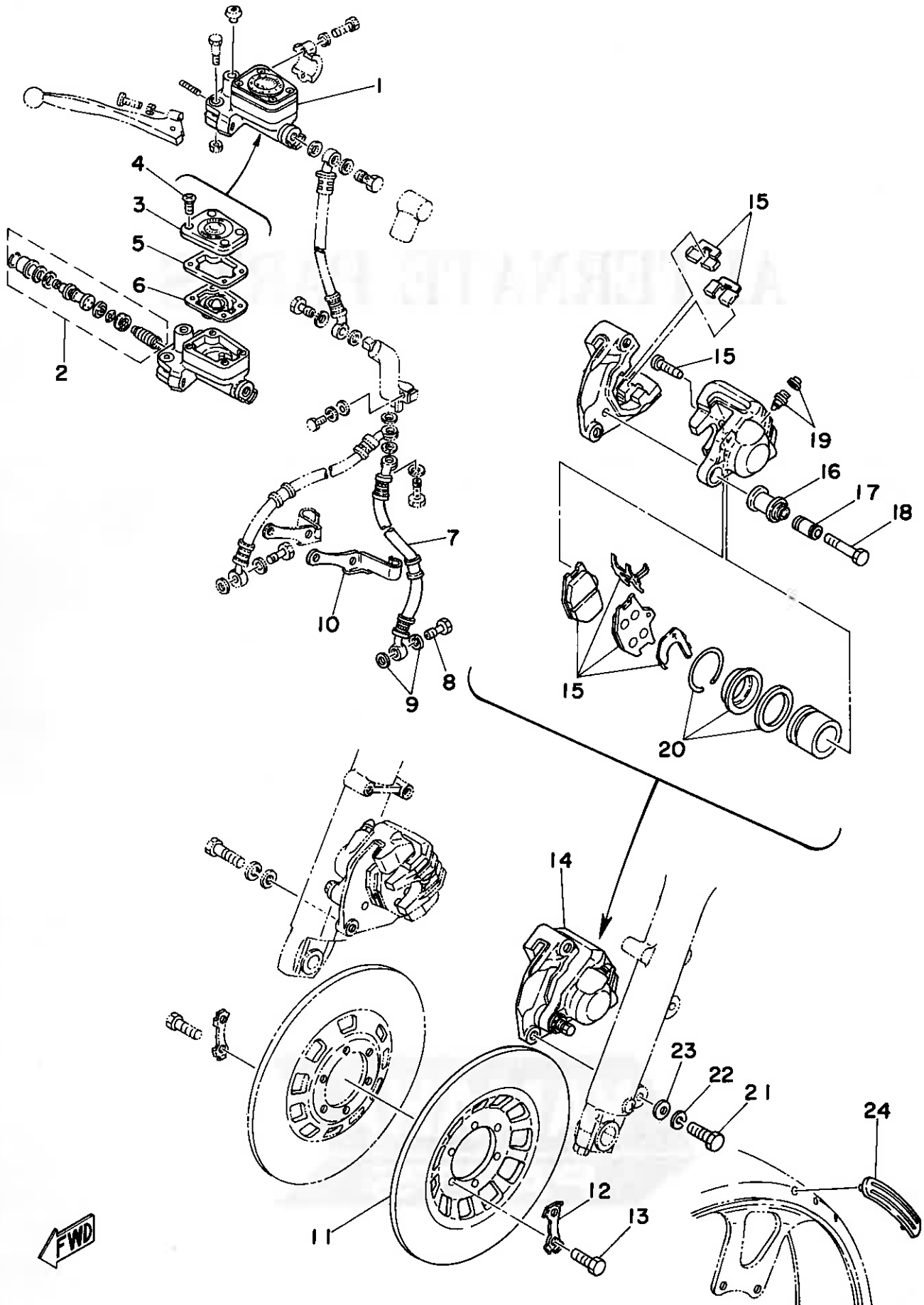
| Ref. No. | Parts No. | Description | Q'ty | Applicable Machine No. | Remarks |
|----------|--------------|-----------------------------------|------|---------------------------|---------|
| 41- 1 | 256-81625-10 | CONDENSER | 1 | | |
| 2 | 92501-06008 | SCREW, panhead | 2 | | |
| 3 | 92901-06100 | WASHER, spring | 2 | | |
| 4 | 584-82508-50 | MAIN SWITCH ASS'Y | 1 | | |
| 5 | 533-82517-00 | WASHER, special | 2 | | |
| 6 | 98501-05015 | SCREW, panhead | 2 | | |
| 7 | 1A0-83350-70 | FLASHER RELAY ASS'Y | 1 | | |
| 8 | 168-82540-00 | NEUTRAL SWITCH ASS'Y | 1 | | |
| 9 | 90430-11034 | GASKET (136-82543-00) | 1 | | |
| 10 | 168-82542-10 | CAP | 1 | | |
| 11 | 533-82530-00 | STOP SWITCH ASS'Y | 1 | | |
| 12 | 341-82503-01 | SWITCH, alarm | 1 | | |
| 13 | 447-82531-00 | WIRE, lead | 1 | | |
| 14 | 447-81970-10 | RECTIFIER ASS'Y | 1 | | |
| 15 | 92901-08100 | WASHER, spring | 1 | | |
| 16 | 95301-08700 | NUT, hexagon | 1 | | |
| 17 | 371-84708-02 | CHECKER, lamp | 1 | | |
| 18 | 447-81940-10 | STARTER SWITCH ASS'Y | 1 | | |
| 19 | 92501-06015 | SCREW, panhead | 1 | | |
| 20 | 92901-06100 | WASHER, spring | 1 | | |
| 21 | 256-81615-00 | WIRE, lead | 1 | | |
| 22 | 1H7-83395-02 | FLASHER CANCELLING UNIT | 1 | | |
| 23 | 1J7-84308-00 | RESERVE LIGHTING UNIT ASS'Y | 1 | | |
| 24 | 92501-06018 | SCREW, panhead | 2 | | |
| 25 | 92901-06100 | WASHER, spring | 2 | | |
| 26 | 92901-06600 | WASHER, plate | 2 | | |
| 27 | 1J7-81911-01 | RESISTOR, 1 | 1 | | |
| 28 | 97301-06012 | BOLT, hexagon | 1 | | |
| 29 | 92901-06100 | WASHER, spring | 1 | | |

| Year | Month | Day | Particulars | Debit | Credit | Balance |
|------|-------|-----|-------------|-------|--------|---------|
| 1880 | Jan | 1 | To Balance | | | 100.00 |
| | | | By Cash | | 50.00 | 150.00 |
| | | | To Cash | 50.00 | | 100.00 |
| | | | To Cash | 50.00 | | 50.00 |
| | | | To Cash | 50.00 | | 0.00 |
| | | | To Cash | 50.00 | | 50.00 |
| | | | To Cash | 50.00 | | 100.00 |
| | | | To Cash | 50.00 | | 150.00 |
| | | | To Cash | 50.00 | | 200.00 |
| | | | To Cash | 50.00 | | 250.00 |
| | | | To Cash | 50.00 | | 300.00 |
| | | | To Cash | 50.00 | | 350.00 |
| | | | To Cash | 50.00 | | 400.00 |
| | | | To Cash | 50.00 | | 450.00 |
| | | | To Cash | 50.00 | | 500.00 |
| | | | To Cash | 50.00 | | 550.00 |
| | | | To Cash | 50.00 | | 600.00 |
| | | | To Cash | 50.00 | | 650.00 |
| | | | To Cash | 50.00 | | 700.00 |
| | | | To Cash | 50.00 | | 750.00 |
| | | | To Cash | 50.00 | | 800.00 |
| | | | To Cash | 50.00 | | 850.00 |
| | | | To Cash | 50.00 | | 900.00 |
| | | | To Cash | 50.00 | | 950.00 |
| | | | To Cash | 50.00 | | 1000.00 |

ALTERNATE PARTS

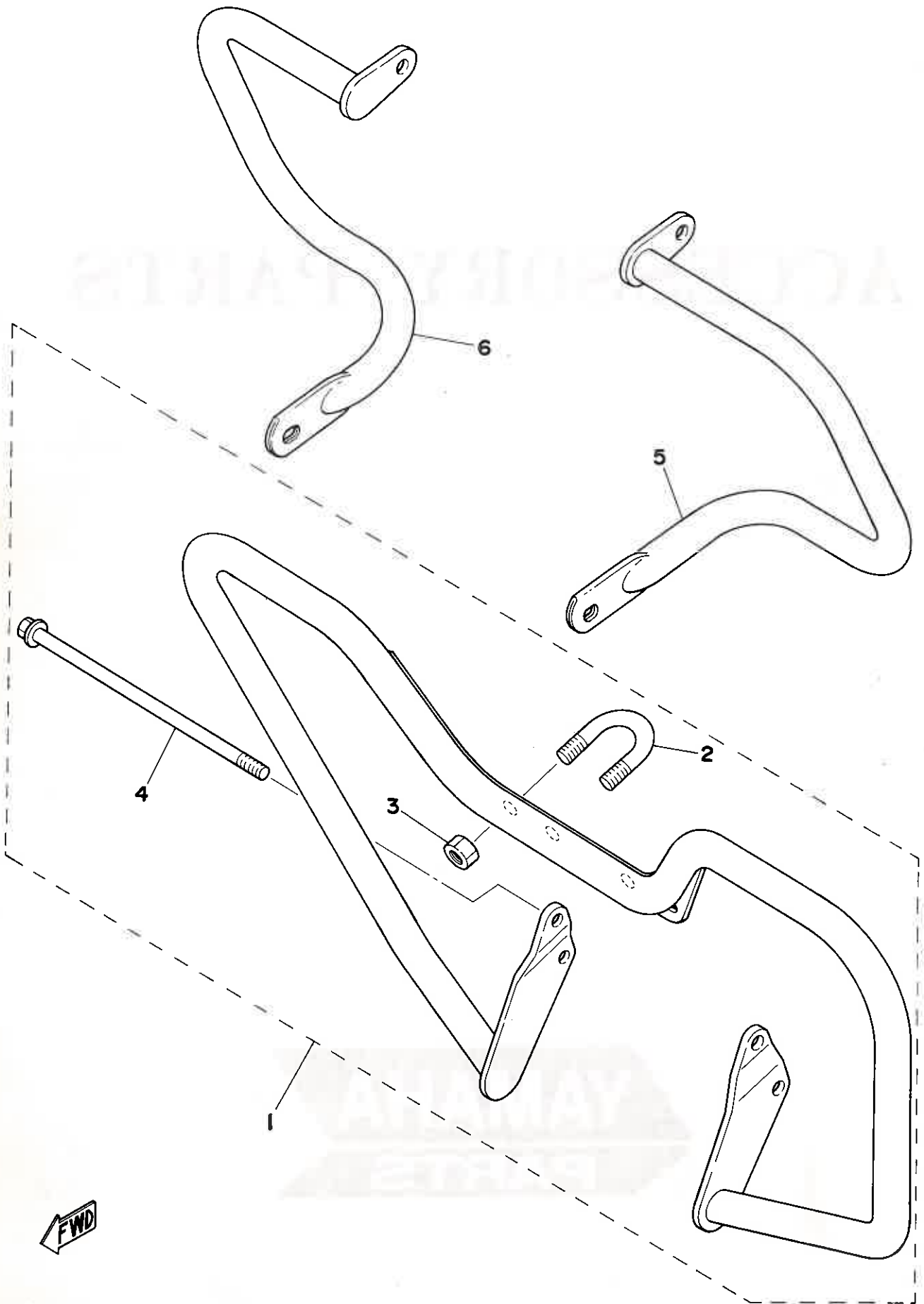


Fig.42 DOUBLE DISK BRAKE



| Ref. No. | Parts No. | Description | Q'ty | Applicable Machine No. | Remarks |
|----------|--------------|-------------------------|------|---------------------------|---------|
| 42- 1 | 1J3-25850-21 | MASTER CYLINDER ASS'Y | 1 | | |
| 2 | 1J3-20000-40 | . CYLINDER KIT, master | 1 | | |
| 3 | 1J3-25852-01 | . CAP, reservoir | 1 | | |
| 4 | 90151-05008 | . SCREW, cap | 4 | | |
| 5 | 1J3-25855-01 | . BUSHING, diaphragm | 1 | | |
| 6 | 1J3-25854-01 | . DIAPHRAGM, reservoir | 1 | | |
| 7 | 1T3-25873-00 | HOSE, brake 2 | 1 | | |
| 8 | 90401-10034 | BOLT, union | 1 | | |
| 9 | 90201-10118 | WASHER, plate | 2 | | |
| 10 | 1J3-25876-01 | HOLDER, brake hose left | 1 | | |
| 11 | 1J3-25831-00 | DISK, brake | 1 | | |
| 12 | 1J3-25834-01 | WASHER, lock | 3 | | |
| 13 | 90101-08307 | BOLT, hexagon | 6 | | |
| 14 | 1J3-25810-12 | CALIPER ASS'Y, left | 1 | | |
| 15 | 1J3-20000-71 | . CALIPER PAD KIT, left | 1 | | |
| 16 | 1J3-25917-00 | . BUSHING, boot | 1 | | |
| 17 | 1J3-25843-00 | . SLEEVE | 1 | | |
| 18 | 90105-08092 | . BOLT, support | 1 | | |
| 19 | 1J3-20000-30 | . SCREW, bleed with cap | 1 | | |
| 20 | 1J3-20000-20 | . CALIPER SEAL KIT | 1 | | |
| 21 | 90101-10308 | BOLT, hexagon | 2 | | |
| 22 | 92901-10100 | WASHER, spring | 2 | | |
| 23 | 92901-10200 | WASHER, plain | 2 | | |
| 24 | 1J7-21517-00 | PAD, wire | 1 | | |

Fig. 43 BUMPER



| Ref. No. | Parts No. | Description | Q'ty | Applicable Machine No. | Remarks |
|----------|--------------|---------------------------------|------|---------------------------|---------|
| 43- 1 | 447-00000-10 | FRONT BUMPER SET | 1 | | |
| 2 | 90109-12297 | . BOLT | 2 | | |
| 3 | 90185-12046 | . NUT, self locking | 4 | | |
| 4 | 90105-10045 | . BOLT | 1 | | |
| 5 | 447-26181-01 | BUMPER, safety rear left | 1 | | |
| 6 | 447-26182-01 | BUMPER, safety rear right | 1 | | |

REPAIR KIT



Fig. 43 REPAIR KIT

| Ref. No. | Parts No. | Description | Q'ty | Applicable Machine No. | Remarks |
|----------|---------------------|--|------------|------------------------|--------------------|
| 44- 1 | 447-11630-00 | PISTON ASS'Y (STD) | 1s | | |
| | 447-11630-10 | PISTON ASS'Y (1st O.S) | 1s | | |
| | 447-11630-20 | PISTON ASS'Y (2nd O.S) | 1s | | |
| | 447-11630-30 | PISTON ASS'Y (3rd O.S) | 1s | | |
| | 447-11630-40 | PISTON ASS'Y (4th O.S) | 1s | | |
| 2 | 447-11631-01-96 | . PISTON (74.96mm STD) | } U.R 2 | | } Ref. No. 4-16 |
| | 447-11631-01-97 | . PISTON (74.97mm STD) | | | |
| | 447-11635-01 | . PISTON (75.25mm 1st O.S) | 2 | | |
| | 447-11636-01 | . PISTON (75.50mm 2nd O.S) | 2 | | |
| | 447-11637-01 | . PISTON (75.75mm 3rd O.S) | 2 | | |
| | 447-11638-01 | . PISTON (76.00mm 4th O.S) | 2 | | |
| 3 | 447-11610-00 | . PISTON RING SET (STD) | 2s | } 4-17 | |
| | 447-11610-10 | . PISTON RING SET (1st O.S) | 2s | | |
| | 447-11610-20 | . PISTON RING SET (2nd O.S) | 2s | | |
| | 447-11610-30 | . PISTON RING SET (3rd O.S) | 2s | | |
| | 447-11610-40 | . PISTON RING SET (4th O.S) | 2s | | |
| 4 | 447-11633-00 | . PIN, piston | 2 | | 4-18 |
| 5 | 93450-22027 | . CLIP (341-11634-00) | 4 | | 4-19 |
| 6 | 447-11650-00 | CONNECTING ROD ASS'Y, left | 1s | | |
| 7 | 447-11651-00 | . ROD, connecting | 1 | | 4-6 |
| 8 | 93310-62660 | . BEARING, con-rod big end | 1 | | 4-7 |
| 9 | 90209-26014 | . WASHER (256-11685-00) | 2 | | 4-8 |
| 10 | 256-11681-00 | . PIN, crank left | 1 | | 4-9 |
| 11 | 447-11650-10 | CONNECTING ROD ASS'Y, right | 1s | | |
| 12 | 447-11651-00 | . ROD, connecting | 1 | | 4-6 |
| 13 | 93310-62660 | . BEARING, con-rod big end | 1 | | 4-7 |
| 14 | 90209-26014 | . WASHER (256-11685-00) | 2 | | 4-8 |
| 15 | 306-11681-00 | . PIN, crank right | 1 | | 4-10 |

NUMERICAL INDEX



NUMERICAL INDEX

| Ref No. | Parts No. | Ref No. | Parts No. | Ref No. | Parts No. |
|---------|-----------------|---------|-----------------|---------|-----------------|
| 26- 4 | 1A0-21518-00 | 37- 1 | 1J3-83519-00 | 31- 2 | 1T3-24244-10 |
| 29-13 | 1A0-26242-01 | 37-16 | 1J3-83556-01 | 31- 3 | 1T3-24245-00 |
| 41- 7 | 1A0-83350-70 | 37-10 | 1J3-83569-71 | 31- 3 | 1T3-24245-10 |
| 30-28 | 1A0-83980-30 | 37-12 | 1J3-83570-21 | 31- 4 | 1T3-24246-00 |
| 40-26 | 1E2-82150-00 | 29- 6 | 1J3-83912-10 | 31- 4 | 1T3-24246-10 |
| 39-13 | 1E5-83330-20-93 | 42-24 | 1J7-21517-00 | 31- 5 | 1T3-24247-00 |
| 29- 2 | 1E6-26241-00 | 28-21 | 1J7-23434-00 | 31- 5 | 1T3-24247-10 |
| 41-22 | 1H7-83395-02 | 30-22 | 1J7-25885-01 | 32- 1 | 1T3-24730-90 |
| 34- 5 | 1J3-20000-12 | 24-16 | 1J7-27413-01 | 32- 2 | 1T3-24731-00 |
| 34-10 | 1J3-20000-20 | 41-27 | 1J7-81911-01 | 30-21 | 1T3-25872-00 |
| 42-20 | 1J3-20000-20 | 41-23 | 1J7-84308-00 | 30-21 | 1T3-25872-20 |
| 34- 9 | 1J3-20000-30 | 32-11 | 1L9-24741-00 | 30-26 | 1T3-25873-00 |
| 42-19 | 1J3-20000-30 | 33- 7 | 1L9-25847-00 | 42- 7 | 1T3-25873-00 |
| 42- 2 | 1J3-20000-40 | 22- 1 | 1T3-21110-00-33 | 29-23 | 1T3-26290-00 |
| 42-15 | 1J3-20000-71 | 26- 1 | 1T3-21510-00-93 | 29-24 | 1T3-26290-00 |
| 34- 4 | 1J3-25810-02 | 23-10 | 1T3-21784-00 | 24- 1 | 1T3-27111-00 |
| 42-14 | 1J3-25810-12 | 23-12 | 1T3-21786-00 | 24- 5 | 1T3-27311-00 |
| 34- 1 | 1J3-25831-00 | 25-13 | 1T3-22210-21 | 24- 9 | 1T3-27315-00 |
| 42-11 | 1J3-25831-00 | 25-14 | 1T3-22212-20 | 24- 7 | 1T3-27322-00 |
| 34- 2 | 1J3-25834-01 | 27- 1 | 1T3-23101-51 | 24-12 | 1T3-27410-00 |
| 42-12 | 1J3-25834-01 | 27-16 | 1T3-23116-50 | 24-13 | 1T3-27420-00 |
| 34- 7 | 1J3-25843-00 | 27-32 | 1T3-23121-50-93 | 24-14 | 1T3-27451-00 |
| 42-17 | 1J3-25843-00 | 27-14 | 1T3-23122-50 | 24-15 | 1T3-27461-00 |
| 30- 1 | 1J3-25850-01 | 27-12 | 1T3-23124-50 | 40- 1 | 1T3-82590-50 |
| 42- 1 | 1J3-25850-21 | 27- 2 | 1T3-23126-50 | 37-30 | 1T3-83509-00 |
| 30- 3 | 1J3-25852-01 | 27-33 | 1T3-23131-50-93 | 37-19 | 1T3-83520-00 |
| 42- 3 | 1J3-25852-01 | 27- 3 | 1T3-23136-50 | 37-17 | 1T3-83540-00 |
| 30- 6 | 1J3-25854-01 | 27-11 | 1T3-23141-50 | 37- 9 | 1T3-83568-00 |
| 42- 6 | 1J3-25854-01 | 27-13 | 1T3-23144-50 | 30-10 | 1T3-83922-00 |
| 30- 5 | 1J3-25855-01 | 27- 4 | 1T3-23145-00 | 29- 3 | 1T3-83973-00-98 |
| 42- 5 | 1J3-25855-01 | 27-17 | 1T3-23146-50 | 36-27 | 1T3-84318-00 |
| 30- 7 | 1J3-25867-00 | 27-15 | 1T3-23163-50 | 33-20 | 102-18416-00 |
| 30-27 | 1J3-25875-01 | 27-10 | 1T3-23170-50 | 40-24 | 104-82141-09 |
| 42-10 | 1J3-25876-01 | 27-28 | 1T3-23181-50 | 5-36 | 110-81345-20 |
| 34- 6 | 1J3-25917-00 | 27-23 | 1T3-23340-50-33 | 40-25 | 120-82131-00 |
| 42-16 | 1J3-25917-00 | 28- 9 | 1T3-23435-00-98 | 27-30 | 122-23119-01 |
| 29- 4 | 1J3-82910-00 | 31- 2 | 1T3-24244-00 | 27-31 | 122-23129-00 |

NUMERICAL INDEX

| Ref No. | Parts No. | Ref No. | Parts No. | Ref No. | Parts No. |
|---------|-----------------|---------|--------------|---------|--------------|
| 37-14 | 123-83516-21 | 38-21 | 214-84553-01 | 9-18 | 256-13441-00 |
| 37-18 | 123-83516-21 | 25- 4 | 240-22127-00 | 9-19 | 256-13445-00 |
| 37-31 | 123-83516-21 | 40-10 | 254-82310-60 | 9-20 | 256-13495-00 |
| 20-37 | 127-14134-00 | 9- 1 | 256-00001-01 | 19- 1 | 256-13556-01 |
| 20- 9 | 127-14186-00 | 1- 3 | 256-11133-11 | 20-33 | 256-14135-00 |
| 11-32 | 132-16346-00 | 1- 3 | 256-11133-21 | 20-16 | 256-14146-01 |
| 14-12 | 132-18113-01 | 1- 4 | 256-11134-11 | 20-52 | 256-14197-01 |
| 31-20 | 132-24518-00 | 1- 4 | 256-11134-21 | 20-54 | 256-14918-00 |
| 13-16 | 136-18547-00 | 1-25 | 256-11146-00 | 20-21 | 256-14919-00 |
| 28- 7 | 136-23415-00 | 5- 3 | 256-11155-00 | 20-40 | 256-14922-01 |
| 12- 9 | 137-17427-00-06 | 5- 6 | 256-11156-00 | 20-41 | 256-14934-01 |
| 12- 9 | 137-17427-00-10 | 1-26 | 256-11157-03 | 20-19 | 256-14940-00 |
| 31-18 | 137-24523-00 | 1-31 | 256-11158-01 | 20-13 | 256-14944-24 |
| 35-17 | 148-25359-00 | 1-36 | 256-11169-01 | 20-13 | 256-14944-25 |
| 40-27 | 148-82151-00 | 16-13 | 256-11198-00 | 20-13 | 256-14944-75 |
| 36- 5 | 150-84153-00 | 1- 7 | 256-11199-00 | 20-13 | 256-14944-76 |
| 33- 9 | 152-25115-00 | 2- 5 | 256-11351-00 | 20-22 | 256-14946-00 |
| 31-11 | 156-24181-00 | 2-11 | 256-11395-02 | 20-57 | 256-14952-00 |
| 35-46 | 156-25398-00 | 4- 2 | 256-11412-01 | 20-34 | 256-14954-00 |
| 28- 1 | 164-23462-00 | 4- 3 | 256-11422-01 | 20-14 | 256-14956-01 |
| 20- 6 | 168-14190-20 | 4- 4 | 256-11432-02 | 20-24 | 256-14958-00 |
| 12-25 | 168-17424-00 | 4-11 | 256-11561-00 | 20-10 | 256-14984-00 |
| 26- 7 | 168-21639-00 | 4- 9 | 256-11681-00 | 20- 8 | 256-14985-00 |
| 41- 8 | 168-82540-00 | 3- 3 | 256-12116-01 | 20-53 | 256-14987-00 |
| 41-10 | 168-82542-10 | 3- 7 | 256-12117-00 | 20-15 | 256-14991-00 |
| 11- 4 | 170-16164-00 | 3-12 | 256-12156-01 | 20-48 | 256-14997-00 |
| 11-16 | 170-16164-00 | 5-25 | 256-12231-01 | 9-29 | 256-15351-00 |
| 36-26 | 195-84325-00 | 9-24 | 256-13161-01 | 16-22 | 256-15351-00 |
| 36-23 | 198-84334-60 | 9-25 | 256-13165-02 | 9-30 | 256-15353-00 |
| 20- 7 | 214-14195-00 | 9- 3 | 256-13310-02 | 16-23 | 256-15353-00 |
| 15-20 | 214-15618-00 | 9- 4 | 256-13314-02 | 16-20 | 256-15362-02 |
| 11-13 | 214-16119-00 | 9- 2 | 256-13316-02 | 16-19 | 256-15395-00 |
| 11-23 | 214-16347-01 | 4-28 | 256-13324-01 | 18- 8 | 256-15416-02 |
| 11-28 | 214-16389-00 | 9- 7 | 256-13325-00 | 17- 8 | 256-15417-01 |
| 27-20 | 214-23114-00 | 9-13 | 256-13411-01 | 18- 1 | 256-15421-03 |
| 29-10 | 214-83913-00 | 9-12 | 256-13414-00 | 17- 6 | 256-15425-00 |
| 36- 4 | 214-84153-60 | 9-14 | 256-13417-00 | 18- 2 | 256-15451-00 |

NUMERICAL INDEX

| Ref No. | Parts No. | Ref No. | Parts No. | Ref No. | Parts No. |
|---------|-----------------|---------|-----------------|---------|--------------|
| 18- 9 | 256-15456-00 | 23- 6 | 256-21729-00 | 39- 8 | 256-83321-00 |
| 15- 2 | 256-15654-00 | 23- 7 | 256-21747-00 | 38- 3 | 256-84714-61 |
| 15- 1 | 256-15660-02 | 27-18 | 256-23142-60 | 28-22 | 256-92392-70 |
| 15- 9 | 256-15664-00 | 28- 2 | 256-23411-00 | 38- 4 | 275-84523-60 |
| 15- 3 | 256-15673-00 | 28- 3 | 256-23412-00 | 38-10 | 275-84527-60 |
| 4-26 | 256-16111-00 | 28- 4 | 256-23413-00 | 27- 7 | 278-23128-51 |
| 11- 2 | 256-16150-01 | 28- 5 | 256-23414-00 | 29-14 | 278-26249-00 |
| 11-11 | 256-16356-00 | 28-17 | 256-23442-00-98 | 32-12 | 278-27114-00 |
| 11-26 | 256-16396-01 | 31-12 | 256-24181-01 | 24-11 | 278-27314-00 |
| 12- 8 | 256-17121-00 | 31-31 | 256-24512-00 | 27-19 | 291-23118-60 |
| 12- 5 | 256-17131-03 | 31-28 | 256-24528-00 | 1- 1 | 306-11110-09 |
| 12- 2 | 256-17141-01 | 31-27 | 256-24537-00 | 2- 6 | 306-11181-00 |
| 12-14 | 256-17221-01 | 31-29 | 256-24543-00 | 2- 1 | 306-11311-00 |
| 12-18 | 256-17231-03 | 35- 2 | 256-25304-00 | 4- 5 | 306-11442-03 |
| 12-15 | 256-17236-00-10 | 35- 1 | 256-25311-00 | 4-10 | 306-11681-00 |
| 12-15 | 256-17236-00-12 | 35- 8 | 256-25315-00 | 3- 9 | 306-12151-00 |
| 12-19 | 256-17241-01 | 35-24 | 256-25367-00 | 5-14 | 306-12213-01 |
| 12-17 | 256-17251-03 | 35-27 | 256-25412-00 | 20-36 | 306-14173-00 |
| 12-13 | 256-17421-00 | 35-25 | 256-25432-20 | 20-56 | 306-14905-02 |
| 12-28 | 256-17461-70 | 35-25 | 256-25433-20 | 20-45 | 306-14964-00 |
| 10- 1 | 256-17811-01 | 35-25 | 256-25434-20 | 20-70 | 306-14988-00 |
| 10- 9 | 256-17831-00 | 35-25 | 256-25436-20 | 16- 1 | 306-15100-03 |
| 10- 8 | 256-17837-00 | 24-20 | 256-27414-00 | 7-23 | 306-15431-00 |
| 10- 7 | 256-17841-01 | 6- 7 | 256-81611-11 | 7-24 | 306-15452-00 |
| 10- 4 | 256-17848-00 | 6- 8 | 256-81612-11 | 17- 2 | 306-15461-00 |
| 14- 1 | 256-18101-02 | 6- 9 | 256-81613-10 | 7-20 | 306-15512-00 |
| 14-11 | 256-18111-00-93 | 6- 4 | 256-81614-10 | 7-12 | 306-15513-00 |
| 13-25 | 256-18143-02 | 41-21 | 256-81615-00 | 7-11 | 306-15514-00 |
| 13- 9 | 256-18511-00 | 5-35 | 256-81615-10 | 7- 5 | 306-15515-00 |
| 13-10 | 256-18512-00 | 5-33 | 256-81621-11 | 7-21 | 306-15517-00 |
| 13-11 | 256-18513-00 | 41- 1 | 256-81625-10 | 7-22 | 306-15521-00 |
| 13-14 | 256-18531-00 | 5-34 | 256-81631-10 | 7-10 | 306-15522-00 |
| 13-22 | 256-18562-00 | 6- 2 | 256-81650-11 | 7- 1 | 306-15524-00 |
| 13-23 | 256-18565-00 | 5-31 | 256-81651-10 | 7-18 | 306-15532-00 |
| 22- 5 | 256-21316-01 | 5-30 | 256-81653-10 | 7- 7 | 306-15562-00 |
| 22- 4 | 256-21317-01 | 39- 4 | 256-83311-70 | 7- 8 | 306-15563-00 |
| 23-22 | 256-21717-00 | 39-16 | 256-83311-70 | 7-19 | 306-15571-00 |
| | | | | 15- 4 | 306-15641-00 |

NUMERICAL INDEX

| Ref No. | Parts No. | Ref No. | Parts No. | Ref No. | Parts No. |
|---------|-----------------|---------|-----------------|---------|-----------------|
| 36-37 | 447-84390-00 | 20-51 | 584-14937-00 | 36- 2 | 584-84345-60 |
| 36- 8 | 447-84395-61 | 20-60 | 584-14938-00 | 36-15 | 584-84392-60 |
| 38- 8 | 479-84526-00 | 20-55 | 584-14955-00 | 36-16 | 584-84393-60 |
| 27-29 | 509-23158-L0 | 20-43 | 584-14956-00 | 36-11 | 584-84394-60 |
| 40-14 | 512-82370-10 | 20-39 | 584-14969-00 | 36-12 | 584-84398-60 |
| 19-23 | 533-14441-00 | 20-64 | 584-14977-00 | 36-17 | 584-84399-60 |
| 19-18 | 533-14451-00 | 20-11 | 584-14981-16 | 15- 6 | 611-45567-00-01 |
| 19-19 | 533-14468-02 | 20-66 | 584-14991-00 | 15- 6 | 611-45567-00-03 |
| 29- 1 | 533-26111-21 | 20-50 | 584-14992-00 | 15- 6 | 611-45567-00-05 |
| 29-19 | 533-26335-20 | 17- 1 | 584-15411-00 | 31-30 | 801-24437-00 |
| 24-34 | 533-27211-00-93 | 22-21 | 584-23408-00 | 13-24 | 90101-06091 |
| 24-35 | 533-27212-00 | 22-22 | 584-23484-00 | 35-19 | 90101-06291 |
| 41- 5 | 533-82517-00 | 31- 1 | 584-24110-01-X2 | 32- 6 | 90101-06304 |
| 41-11 | 533-82530-00 | 31- 1 | 584-24110-01-X6 | 35-32 | 90101-08034 |
| 30- 2 | 535-20000-60 | 31- 6 | 584-24602-00 | 34- 3 | 90101-08307 |
| 1-35 | 584-11108-00 | 32- 9 | 584-24705-00 | 42-13 | 90101-08307 |
| 1-38 | 584-11166-00 | 29- 1 | 584-26111-10 | 34-11 | 90101-10308 |
| 5-15 | 584-12211-00 | 29-15 | 584-26243-00 | 42-21 | 90101-10308 |
| 20-20 | 584-14116-01 | 29-18 | 584-26311-10 | 34- 8 | 90105-08092 |
| 20-12 | 584-14142-25 | 29-18 | 584-26311-20 | 42-18 | 90105-08092 |
| 20-67 | 584-14146-00 | 29-17 | 584-26393-01 | 35-26 | 90105-10007 |
| 20-32 | 584-14171-00 | 24-24 | 584-27432-00 | 22-14 | 90105-10039 |
| 20-35 | 584-14176-00 | 24-25 | 584-27442-00 | 22-20 | 90105-10041 |
| 20-63 | 584-14243-00 | 41- 4 | 584-82508-50 | 22-12 | 90105-10043 |
| 19-10 | 584-14411-00 | 37-21 | 584-83507-00 | 22-13 | 90105-10044 |
| 19-11 | 584-14421-00 | 37-22 | 584-83508-00 | 43- 4 | 90105-10045 |
| 21- 7 | 584-14711-00 | 37-20 | 584-83513-00 | 21-12 | 90105-10058 |
| 21- 8 | 584-14721-00 | 37- 4 | 584-83523-00 | 25-20 | 90106-10025 |
| 20- 1 | 584-14900-00 | 37-23 | 584-83523-00 | 28-16 | 90106-14017 |
| 20- 2 | 584-14901-00 | 37-15 | 584-83536-01 | 38-22 | 90109-06017 |
| 20- 3 | 584-14902-00 | 37-26 | 584-83546-00 | 5-17 | 90109-06019 |
| 20-65 | 584-14905-00 | 37-13 | 584-83578-71 | 10- 5 | 90109-06076 |
| 20-28 | 584-14907-00 | 29-12 | 584-83963-00 | 13-21 | 90109-06181 |
| 20-38 | 584-14923-00 | 36- 6 | 584-84310-61 | 30-14 | 90109-06465 |
| 20-44 | 584-14931-00 | 36- 1 | 584-84330-61-33 | 35-39 | 90109-08338 |
| 20-23 | 584-14933-00 | 36- 3 | 584-84338-60 | 35-44 | 90109-08374 |
| 20-49 | 584-14934-00 | 36-18 | 584-84344-60 | 8-16 | 90109-08393 |

NUMERICAL INDEX

| Ref No. | Parts No. | Ref No. | Parts No. | Ref No. | Parts No. |
|---------|-------------|---------|-------------|---------|-------------|
| 26- 8 | 90109-10349 | 3-11 | 90170-08173 | 40- 9 | 90201-08107 |
| 22-19 | 90109-10388 | 4-23 | 90170-12064 | 24- 8 | 90201-08114 |
| 43- 2 | 90109-12297 | 4-30 | 90170-14076 | 27-27 | 90201-08544 |
| 13-19 | 90109-16392 | 25- 8 | 90170-14174 | 30-19 | 90201-10118 |
| 5-22 | 90109-18307 | 11-12 | 90170-18089 | 42- 9 | 90201-10118 |
| 28-19 | 90110-08010 | 33-29 | 90171-14006 | 1- 9 | 90201-10131 |
| 11-24 | 90113-08021 | 35-34 | 90171-18008 | 25-17 | 90201-10142 |
| 1-15 | 90116-06017 | 16-14 | 90176-08019 | 28-23 | 90201-10149 |
| 1-16 | 90116-06238 | 1- 8 | 90176-10008 | 24-21 | 90201-10437 |
| 16-10 | 90116-08047 | 25-19 | 90176-10009 | 24-32 | 90201-13502 |
| 16-12 | 90116-08055 | 24-23 | 90176-10013 | 14- 8 | 90201-14220 |
| 16- 5 | 90116-08064 | 26-11 | 90176-10013 | 26- 9 | 90201-15239 |
| 16-11 | 90116-08066 | 5-24 | 90176-18021 | 4-27 | 90201-16579 |
| 1-21 | 90116-08150 | 24-44 | 90179-06227 | 15-18 | 90201-17256 |
| 16- 4 | 90116-08196 | 29-21 | 90179-08041 | 7- 6 | 90201-17257 |
| 16- 7 | 90116-08199 | 11-25 | 90179-08179 | 12-21 | 90201-20266 |
| 16- 6 | 90116-08232 | 12-30 | 90179-22022 | 33-14 | 90201-25286 |
| 2- 3 | 90116-10108 | 28- 8 | 90179-25033 | 12- 3 | 90201-25287 |
| 21- 4 | 90116-10195 | 22- 7 | 90185-08054 | 11-17 | 90201-25290 |
| 27-24 | 90119-08012 | 27-26 | 90185-08054 | 15-10 | 90201-25290 |
| 29-20 | 90123-08053 | 22-15 | 90185-10035 | 33-16 | 90201-25490 |
| 30-11 | 90146-06008 | 24- 3 | 90185-10035 | 31-33 | 90202-06010 |
| 1-28 | 90147-06001 | 24-33 | 90185-12046 | 22-23 | 90206-04003 |
| 5-11 | 90149-06009 | 43- 3 | 90185-12046 | 7-15 | 90206-12034 |
| 31-32 | 90149-06011 | 37-24 | 90201-05031 | 35-15 | 90206-14020 |
| 11-10 | 90149-06102 | 24-19 | 90201-06042 | 23-18 | 90209-06044 |
| 3-10 | 90149-08098 | 40- 5 | 90201-06052 | 38-16 | 90209-06095 |
| 14- 4 | 90149-10018 | 40-29 | 90201-06052 | 39-18 | 90209-08028 |
| 9-23 | 90149-10019 | 23-17 | 90201-06063 | 39- 9 | 90209-08098 |
| 30- 4 | 90151-05008 | 25-24 | 90201-06066 | 28-15 | 90209-14023 |
| 42- 4 | 90151-05008 | 26-16 | 90201-06067 | 24-31 | 90209-18070 |
| 24-48 | 90153-06008 | 31-15 | 90201-06075 | 4- 8 | 90209-26014 |
| 30-12 | 90170-06010 | 36-29 | 90201-06380 | 1-10 | 90210-10004 |
| 24-47 | 90170-06184 | 37- 6 | 90201-06380 | 25-27 | 90215-06117 |
| 35-45 | 90170-08157 | 24-40 | 90201-08083 | 14- 5 | 90215-10105 |
| 35-33 | 90170-08158 | 28-12 | 90201-08083 | 25- 7 | 90215-14055 |
| 35-42 | 90170-08158 | 29- 9 | 90201-08083 | 12-29 | 90215-26024 |

NUMERICAL INDEX

| Ref No. | Parts No. | Ref No. | Parts No. | Ref No. | Parts No. |
|---------|-------------|---------|-------------|---------|-------------|
| 37- 3 | 92906-06600 | 11- 3 | 93341-23504 | 33- 5 | 94418-19145 |
| 8- 6 | 93101-17047 | 4-12 | 93390-00003 | 35- 5 | 94421-18126 |
| 5- 5 | 93101-25044 | 7- 9 | 93410-17008 | 5-28 | 94500-02106 |
| 11-21 | 93102-08118 | 12-22 | 93410-20021 | 5-28 | 94562-19106 |
| 15-12 | 93102-25064 | 12- 7 | 93410-25017 | 35-28 | 94575-30104 |
| 4-21 | 93102-25121 | 15-11 | 93410-25017 | 5-29 | 94600-02001 |
| 33-17 | 93102-28022 | 4-13 | 93410-32019 | 5-29 | 94662-19001 |
| 7-26 | 93102-34095 | 31-10 | 93430-02001 | 35-29 | 94675-30011 |
| 35-22 | 93102-35065 | 14- 9 | 93430-12009 | 1-34 | 94701-00117 |
| 10- 3 | 93104-07036 | 15-19 | 93430-12022 | 6-12 | 95301-04600 |
| 35-10 | 93104-27026 | 12- 4 | 93440-25020 | 36-14 | 95301-05600 |
| 12-27 | 93105-40018 | 12-16 | 93440-30015 | 37-25 | 95301-05800 |
| 33-26 | 93105-45017 | 12-12 | 93440-52014 | 5- 8 | 95301-06600 |
| 14- 7 | 93109-14010 | 4-25 | 93440-78011 | 9- 8 | 95301-06600 |
| 20- 5 | 93210-03142 | 4-19 | 93450-22027 | 36-33 | 95301-06600 |
| 1- 6 | 93210-12152 | 27- 9 | 93450-30033 | 37- 8 | 95301-06600 |
| 10- 2 | 93210-12154 | 9-22 | 93501-04011 | 38-20 | 95301-06600 |
| 1- 2 | 93210-15151 | 28- 6 | 93501-04011 | 38-25 | 95301-06600 |
| 3-13 | 93210-17143 | 11-18 | 93505-16006 | 40-12 | 95301-06600 |
| 5-23 | 93210-21190 | 15-16 | 93505-16006 | 37-29 | 95301-06800 |
| 23-24 | 93210-40040 | 5- 7 | 93603-07073 | 16- 9 | 95301-08600 |
| 1-24 | 93210-45150 | 16- 3 | 93603-14026 | 39-20 | 95301-08600 |
| 1-14 | 93210-62304 | 4-31 | 93603-17070 | 39-12 | 95301-08700 |
| 1-20 | 93210-62304 | 9- 5 | 93603-17070 | 41-16 | 95301-08700 |
| 2- 4 | 93210-82153 | 7-25 | 93604-08071 | 14- 6 | 95301-10700 |
| 12-11 | 93305-20504 | 13- 2 | 93604-10011 | 28-25 | 95301-10700 |
| 12-24 | 93305-20602 | 9-11 | 93604-12037 | 20-47 | 95301-12600 |
| 33-10 | 93306-30306 | 13- 4 | 93604-14012 | 38-13 | 95303-05600 |
| 33-24 | 93306-30307 | 4-20 | 93605-12069 | 1-18 | 95303-06800 |
| 35- 9 | 93306-30404 | 24-37 | 93700-06004 | 1-23 | 95303-08800 |
| 35-21 | 93306-30507 | 25- 9 | 93700-06004 | 28-14 | 95303-08800 |
| 4-15 | 93306-30604 | 33- 3 | 94135-19341 | 21- 6 | 95303-10800 |
| 4- 7 | 93310-62660 | 35- 3 | 94140-18340 | 29-11 | 95601-06100 |
| 12-23 | 93313-32005 | 33- 4 | 94235-19034 | 30-16 | 95601-06100 |
| 12-10 | 93313-32007 | 35- 4 | 94240-18024 | 22- 6 | 95821-08055 |
| 5- 4 | 93316-00503 | 33- 6 | 94325-19027 | 22-10 | 95821-08090 |
| 13- 8 | 93320-31501 | 35- 6 | 94340-18022 | 22- 8 | 95821-10025 |

NUMERICAL INDEX

| Ref No. | Parts No. | Ref No. | Parts No. | Ref No. | Parts No. |
|---------|-------------|---------|-------------|---------|-----------|
| 22-18 | 95821-10070 | 16-16 | 97323-08055 | | |
| 19-22 | 97301-06010 | 28-11 | 97323-08065 | | |
| 32-15 | 97301-06010 | 16-15 | 97323-08075 | | |
| 40-21 | 97301-06012 | 16-17 | 97323-08090 | | |
| 41-28 | 97301-06012 | 31-22 | 98501-03008 | | |
| 19-12 | 97301-06016 | 20-61 | 98501-04006 | | |
| 23- 4 | 97301-06016 | 6- 5 | 98501-04008 | | |
| 29- 7 | 97301-06022 | 36-19 | 98501-04008 | | |
| 7-27 | 97301-06025 | 6-10 | 98501-04012 | | |
| 9-17 | 97301-06025 | 20-17 | 98501-04012 | | |
| 19-14 | 97301-06025 | 20-30 | 98501-04012 | | |
| 25-25 | 97301-06025 | 20-59 | 98501-04012 | | |
| 30-23 | 97301-06025 | 31- 7 | 98501-05008 | | |
| 9-15 | 97301-06045 | 37-11 | 98501-05010 | | |
| 24- 6 | 97301-08020 | 11-27 | 98501-05012 | | |
| 26- 2 | 97301-08020 | 20-26 | 98501-05015 | | |
| 21-15 | 97301-08025 | 41- 6 | 98501-05015 | | |
| 40- 7 | 97301-08025 | 13- 7 | 98501-05030 | | |
| 25-11 | 97301-08040 | 17- 7 | 98503-05010 | | |
| 21-13 | 97301-10015 | 37-34 | 98506-04020 | | |
| 5-16 | 97303-06018 | 8-14 | 98701-04010 | | |
| 5-27 | 97303-06020 | 31-25 | 98701-04010 | | |
| 25-26 | 97303-06020 | | | | |
| 38-15 | 97303-06025 | | | | |
| 37- 2 | 97306-06040 | | | | |
| 31-13 | 97321-06016 | | | | |
| 14-13 | 97321-06020 | | | | |
| 30- 8 | 97321-06025 | | | | |
| 24-45 | 97321-06030 | | | | |
| 15-14 | 97321-08030 | | | | |
| 2- 7 | 97321-08035 | | | | |
| 8-17 | 97321-08035 | | | | |
| 1-11 | 97321-08060 | | | | |
| 36-34 | 97323-06025 | | | | |
| 36-28 | 97323-06030 | | | | |
| 2- 9 | 97323-06035 | | | | |
| 28-10 | 97323-08050 | | | | |

NUMERICAL INDEX

| Page No. | Page No. | Page No. |
|----------|----------|----------|
| 1 | 1 | 1 |
| 2 | 2 | 2 |
| 3 | 3 | 3 |
| 4 | 4 | 4 |
| 5 | 5 | 5 |
| 6 | 6 | 6 |
| 7 | 7 | 7 |
| 8 | 8 | 8 |
| 9 | 9 | 9 |
| 10 | 10 | 10 |
| 11 | 11 | 11 |
| 12 | 12 | 12 |
| 13 | 13 | 13 |
| 14 | 14 | 14 |
| 15 | 15 | 15 |
| 16 | 16 | 16 |
| 17 | 17 | 17 |
| 18 | 18 | 18 |
| 19 | 19 | 19 |
| 20 | 20 | 20 |
| 21 | 21 | 21 |
| 22 | 22 | 22 |
| 23 | 23 | 23 |
| 24 | 24 | 24 |
| 25 | 25 | 25 |
| 26 | 26 | 26 |
| 27 | 27 | 27 |
| 28 | 28 | 28 |
| 29 | 29 | 29 |
| 30 | 30 | 30 |
| 31 | 31 | 31 |
| 32 | 32 | 32 |
| 33 | 33 | 33 |
| 34 | 34 | 34 |
| 35 | 35 | 35 |
| 36 | 36 | 36 |
| 37 | 37 | 37 |
| 38 | 38 | 38 |
| 39 | 39 | 39 |
| 40 | 40 | 40 |
| 41 | 41 | 41 |
| 42 | 42 | 42 |
| 43 | 43 | 43 |
| 44 | 44 | 44 |
| 45 | 45 | 45 |
| 46 | 46 | 46 |
| 47 | 47 | 47 |
| 48 | 48 | 48 |
| 49 | 49 | 49 |
| 50 | 50 | 50 |
| 51 | 51 | 51 |
| 52 | 52 | 52 |
| 53 | 53 | 53 |
| 54 | 54 | 54 |
| 55 | 55 | 55 |
| 56 | 56 | 56 |
| 57 | 57 | 57 |
| 58 | 58 | 58 |
| 59 | 59 | 59 |
| 60 | 60 | 60 |
| 61 | 61 | 61 |
| 62 | 62 | 62 |
| 63 | 63 | 63 |
| 64 | 64 | 64 |
| 65 | 65 | 65 |
| 66 | 66 | 66 |
| 67 | 67 | 67 |
| 68 | 68 | 68 |
| 69 | 69 | 69 |
| 70 | 70 | 70 |
| 71 | 71 | 71 |
| 72 | 72 | 72 |
| 73 | 73 | 73 |
| 74 | 74 | 74 |
| 75 | 75 | 75 |
| 76 | 76 | 76 |
| 77 | 77 | 77 |
| 78 | 78 | 78 |
| 79 | 79 | 79 |
| 80 | 80 | 80 |
| 81 | 81 | 81 |
| 82 | 82 | 82 |
| 83 | 83 | 83 |
| 84 | 84 | 84 |
| 85 | 85 | 85 |
| 86 | 86 | 86 |
| 87 | 87 | 87 |
| 88 | 88 | 88 |
| 89 | 89 | 89 |
| 90 | 90 | 90 |
| 91 | 91 | 91 |
| 92 | 92 | 92 |
| 93 | 93 | 93 |
| 94 | 94 | 94 |
| 95 | 95 | 95 |
| 96 | 96 | 96 |
| 97 | 97 | 97 |
| 98 | 98 | 98 |
| 99 | 99 | 99 |
| 100 | 100 | 100 |