



YAMAHA

PARTS LIST

MODEL XS650C

NOTICE

ALL PART NUMBERS CONTAINED IN THIS CATALOGUE ARE COMPRISED OF TEN DIGITS. WHEN ORDERING, PLEASE ADD TWO ZEROS TO THE END OF EACH PART NUMBER REQUIRED TO CONVERT THE TEN DIGITS INTO THE NEW TWELVE DIGIT NUMBERS.

YAMAHA MOTOR CO., LTD.

COPY RIGHT: ALL RIGHTS RESERVED
NO PART OF THIS PUBLICATION MAY BE REPRODUCED WITHOUT PERMISSION.

YAMAHA

PARTS LIST

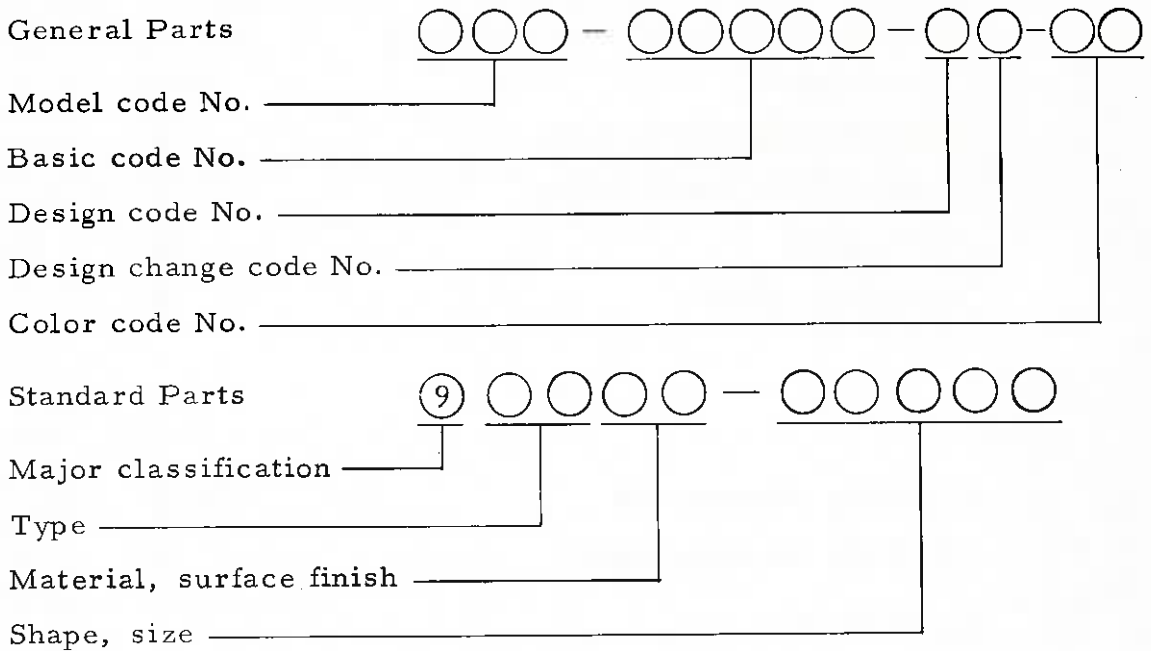
MODEL XS650C

FOREWORD

This Parts List relates to the parts in use for the Yamaha XS650C. When you are ordering replacement parts for the XS650C, refer to this Parts List and quote both part numbers and part names correctly.

1. Structure of Part No.

Yamaha parts are divided largely into two categories; general parts and standard parts, and each part No. has the following structure:



Note: Every standard No. begins with 9.

2. How to Use this Parts List

- (1) Except for steel balls (whose size is indicated in inches), the size of all parts is indicated in millimeters in the following manner.

Hose (rubber or vinyl)	Inside diameter - length
O-ring	Section area - inside diameter
Washer, shim, collar	Inside diameter - outside diameter - thickness (length)

- (2) Parts, which are to be supplied in the form of assemblies, are listed with an indentation of one letter's space, and a dot (.) is put

against the name of each part. If any two different assemblies (e. g. , right and left side components) consist of almost the same type components, these two assemblies are listed in two lines, and then the names of component parts are listed in the subsequent lines with an indention as mentioned earlier. The quantity of parts is given in the following manner; that is, in the case of parts being the same in type between the right and left, a total quantity of parts is given. On the other hand, if the right and left side parts are different in type, the quantity of part(s) on each side is given.

Example

Description	Q'ty
CARBURETOR ASS'Y, left	1
CARBURETOR ASS'Y, right	1
. JET, pilot	2
. NOZZLE, main	2
.	
.	
.	
. LEVER, starter, left	1
. LEVER, starter, right	1

(3) Key to Symbols

U.R.	Use size (thickness) and/or number as required
U.N.	Use as many as you need
T	Number of teeth in a gear
V	Voltage for light bulbs
S	"S" type oil seal or "S" type circlip
SD	"SD" type oil seal
SO	"SO" type oil seal
SW	"SW" type oil seal
E	"E" type circlip
R	"R" type circlip
F/No.	Frame No. (Applicable machine No.)

- (4) The right and left in relation to parts are determined on the basis of the rider facing toward the front.
- (5) This Parts List is based on the model in the production line on Jul. 10, 1975. Accordingly, if any modifications which have been made to parts will be announced in the Yamaha Parts News. It is advisable that according to the Yamaha Parts News, You will make necessary corrections to the Parts List on hand to keep it up-to dated.

CONTENTS

ENGINE

Fig. 1	Cylinder Head · Cylinder Head Cover	1
Fig. 2	Cylinder	5
Fig. 3	Valve · Rocker Arm	7
Fig. 4	Crank · Piston	9
Fig. 5	Camshaft · Chain Tensioner	13
Fig. 6	A.C. Generator	17
Fig. 7	Starting Motor Unit	19
Fig. 8	Starting Motor	21
Fig. 9	Oil Pump	23
Fig. 10	Tachometer Gear	25
Fig. 11	Clutch	27
Fig. 12	Transmission	29
Fig. 13	Shifter 1	33
Fig. 14	Shifter 2	35
Fig. 15	Kick Starter	37
Fig. 16	Crankcase	39
Fig. 17	Crankcase Cover Left	41
Fig. 18	Crankcase Cover Right	43
Fig. 19	Intake	45
Fig. 20	Carburetor	47
Fig. 21	Exhaust	53

CHASSIS

Fig. 22	Frame	57
Fig. 23	Box · Side Cover	59
Fig. 24	Stand · Footrest · Brake Pedal	61
Fig. 25	Rear Arm · Rear Cushion · Chain Case	65
Fig. 26	Front Fender · Rear Fender	67

Fig. 27	Front Fork	69
Fig. 28	Steering	73
Fig. 29	Handle · Wire	75
Fig. 30	Master Cylinder · Brake Hose	77
Fig. 31	Fuel Tank	81
Fig. 32	Seat	85
Fig. 33	Front Wheel	87
Fig. 34	Disk Brake · Caliper	91
Fig. 35	Rear Wheel	93
Fig. 36	Head Lamp	97
Fig. 37	Speedometer · Tachometer	99
Fig. 38	Tail Lamp	101
Fig. 39	Flasher Lamp	103
Fig. 40	Electrical 1	105
Fig. 41	Electrical 2	107
Fig. 42	Exclusive Parts for Canada	111

ALTERNATE PARTS

Fig. 43	Double Disk Brake	115
---------	-------------------------	-----

ACCESSORY PARTS

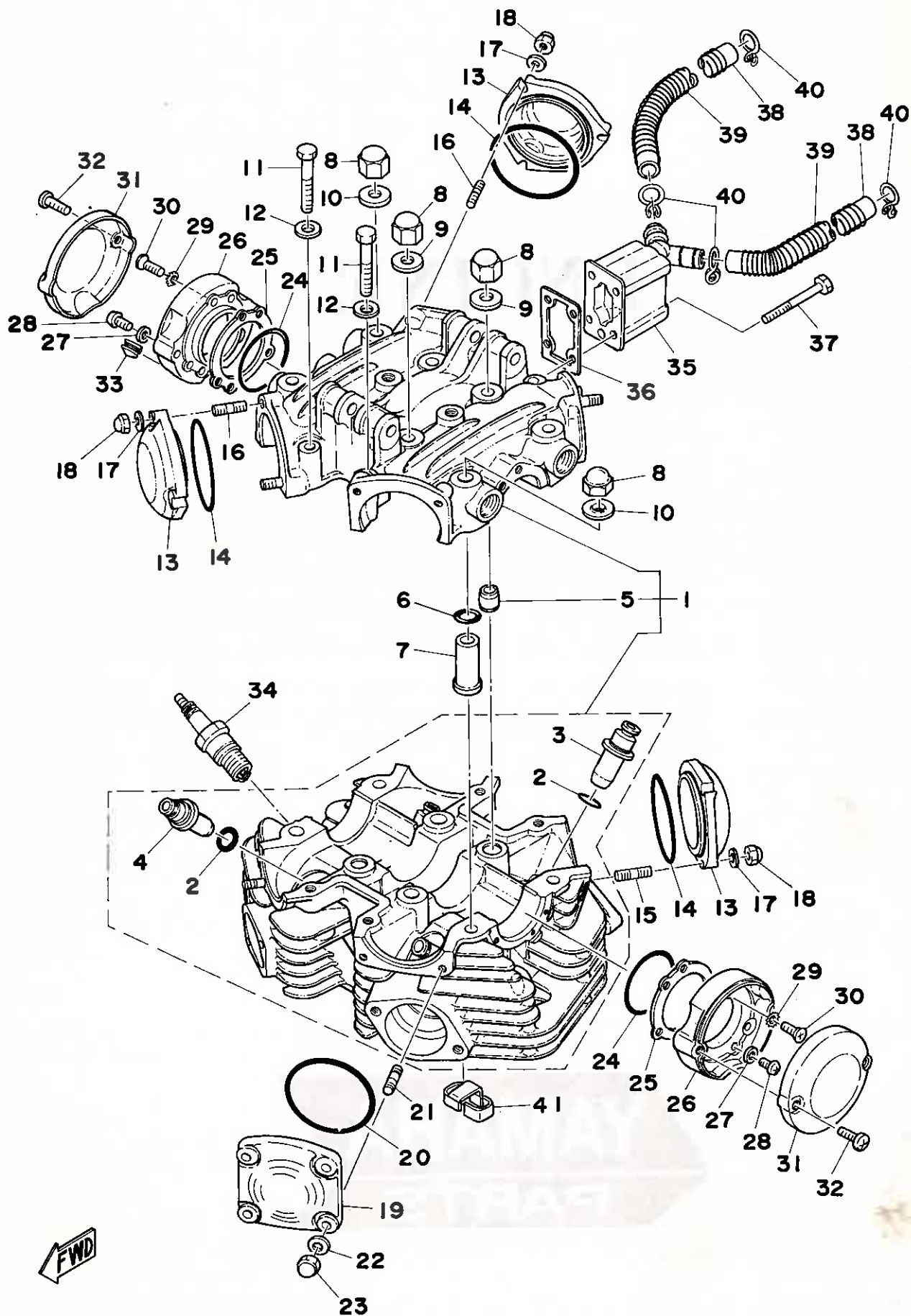
Fig. 44	Bumper	121
---------	--------------	-----

NUMERICAL INDEX

ENGINE

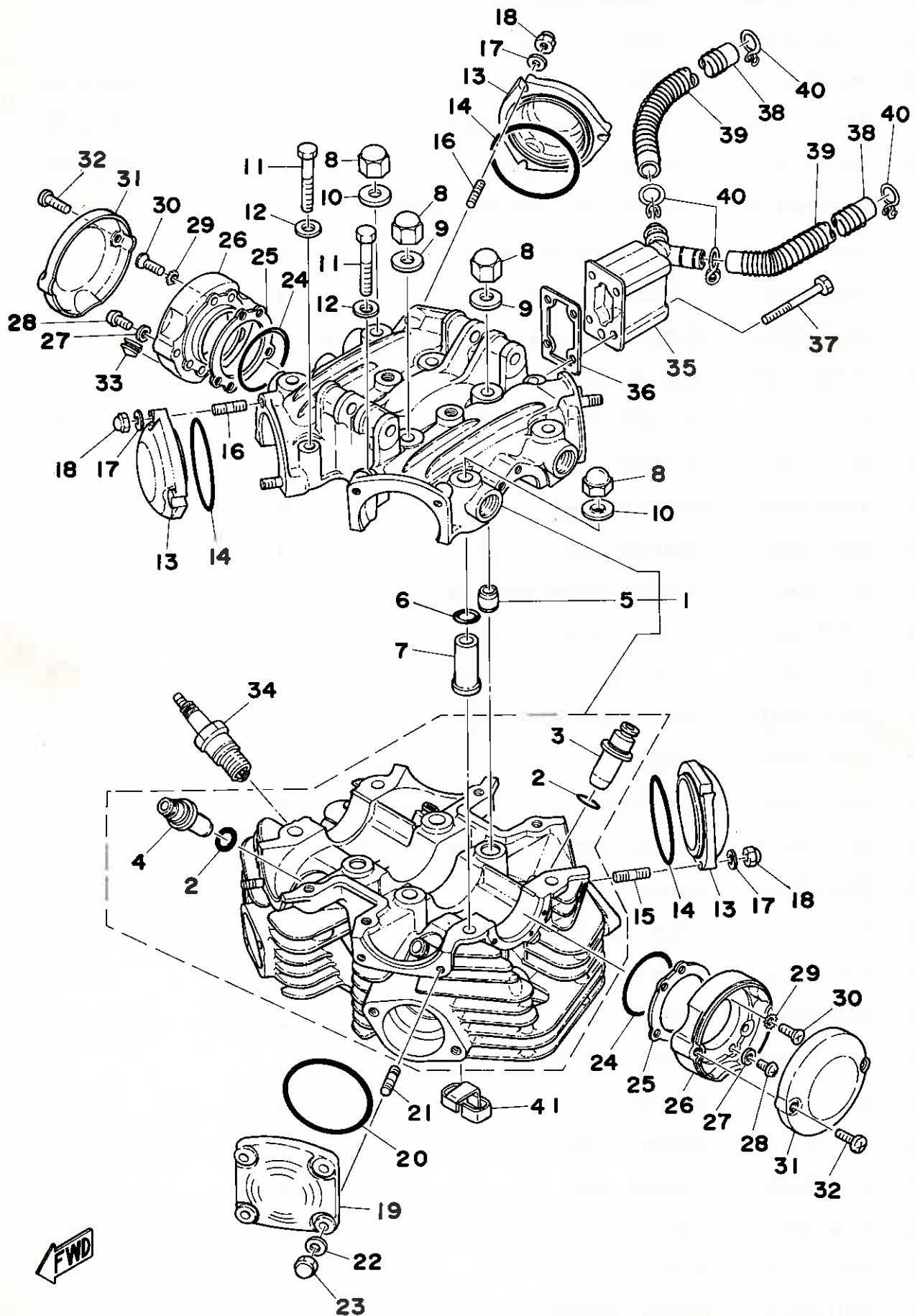


Fig. 1 CYLINDER HEAD · CYLINDER HEAD COVER



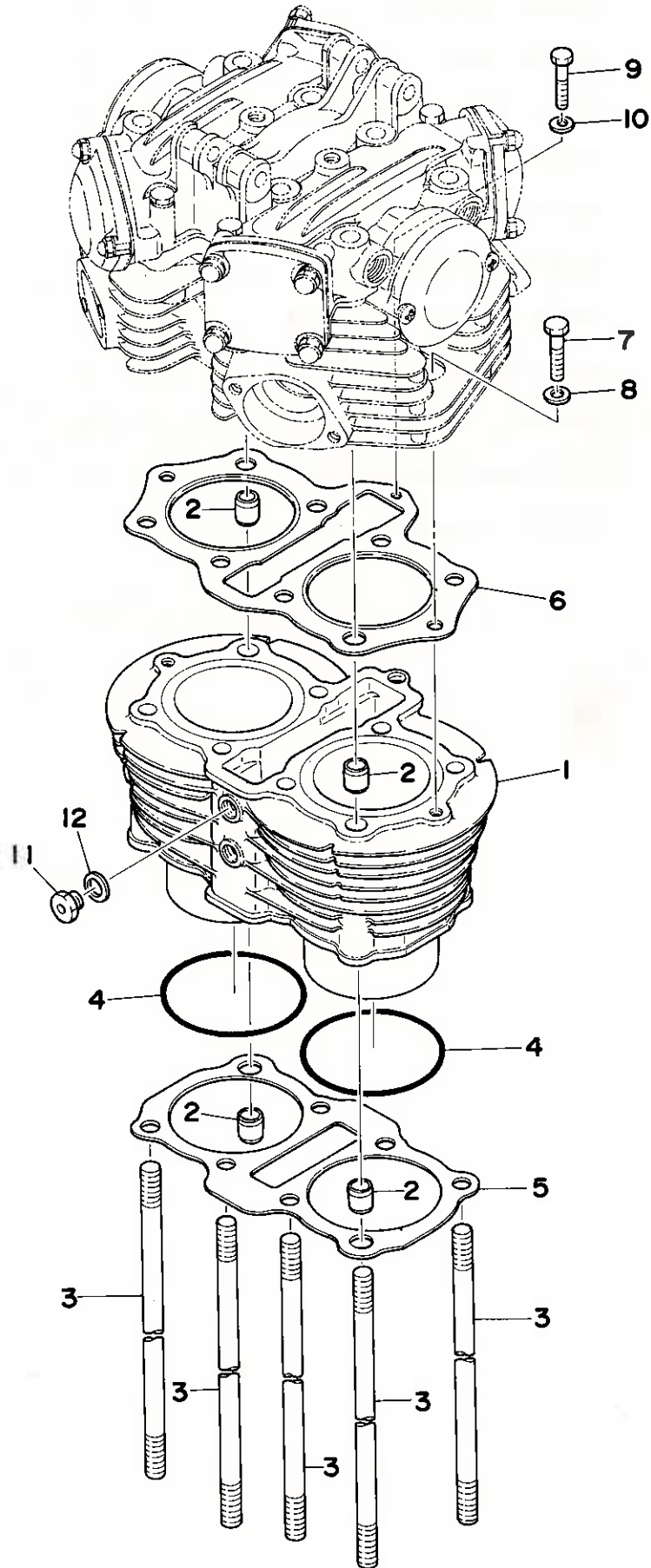
Ref. No.	Parts No.	Description	Q'ty	Applicable Machine No.	Remarks
1- 1	306-11110-05	CYLINDER HEAD ASS'Y	1		
2	93210-15151	. O-RING (1.5-4.5)	4		
3	256-11133-11	. GUIDE, valve intake (1st O.S.)	2		Alternate Parts
	256-11133-21	. GUIDE, valve intake (2nd O.S.)	2		Alternate Parts
4	256-11134-11	. GUIDE, valve exhaust (1st O.S.)	2		Alternate Parts
	256-11134-21	. GUIDE, valve exhaust (2nd O.S.)	2		Alternate Parts
5	91810-16016	. PIN, dowel (12.3-15-16)	2		
6	93210-12152	O-RING (1.8-11.5)	4		
7	256-11199-00	SLEEVE, cylinder head cover	4		
8	90176-10008	NUT (256-11171-00)	8		
9	90201-10131	WASHER (256-11174-00)	4		
10	90201-10004	WASHER	4		
11	97321-08060	BOLT, hexagon	4		
12	92901-08200	WASHER, plain	4		
13	447-11186-00	COVER, cylinder head side 1	3		
14	93210-62304	O-RING (2.8-62)	3		
15	90116-06017	BOLT, stud (256-11179-00)	3		
16	90116-06016	BOLT, stud (306-11179-00)	6		
17	92903-06200	WASHER, plain	9		
18	95303-06800	NUT, crown	9		
19	447-11185-00	COVER, cylinder head side 3	1		
20	93210-62304	O-RING (2.8-62)	1		
21	90116-08150	BOLT, stud (802-13558-00)	4		
22	92903-08200	WASHER, plain	4		
23	95303-08800	NUT, crown	4		
24	93210-45150	O-RING (2.3-45)	2		
25	256-11146-00	GASKET, breaker cover	2		
26	256-11157-02	COVER, breaker 1	2		
27	92901-06200	WASHER, plain	2		
28	90147-06001	SCREW (256-11151-00)	2		
29	92901-06500	WASHER, tooth	6		
30	92701-06015	SCREW, flathead	6		

Fig. 1 CYLINDER HEAD · CYLINDER HEAD COVER



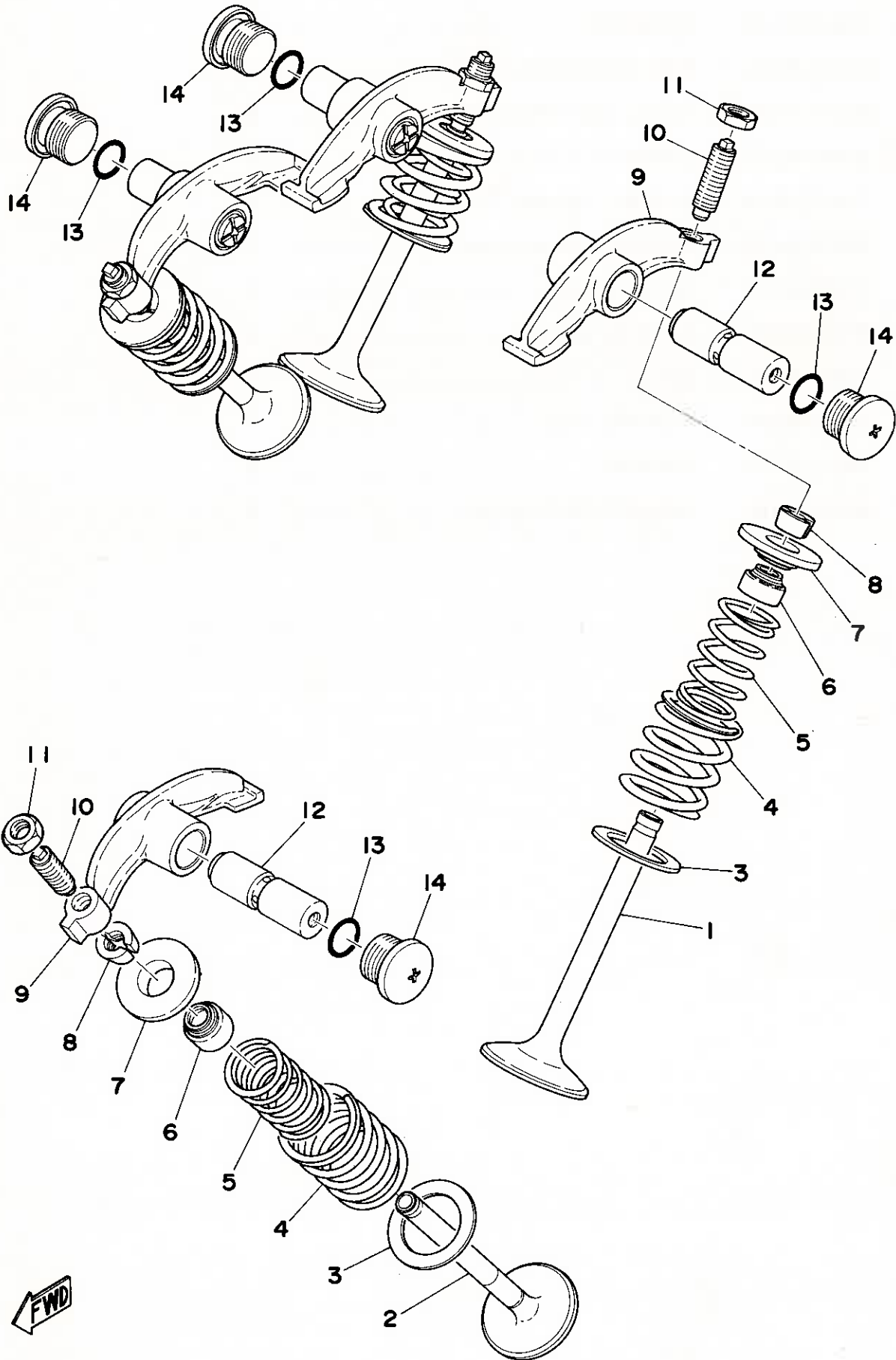
Ref. No.	Parts No.	Description	Q'ty	Applicable Machine No.	Remarks
1-31	256-11158-01	COVER, breaker 2	2		
32	91903-06020	SCREW, bind	4		
33	90338-12044	PLUG, blind (256-11159-00)	1		
34	94701-00117	PLUG, spark (BP-7ES)	2		
35	584-11108-00	BREATHER COVER ASS'Y	1		
36	256-11169-01	GASKET, breather cover	1		
37	91316-06060	BOLT, hexagon socket head	4		
38	584-11166-00	PIPE, breather 1	2		
39	90501-08046	SPRING	2		
40	90467-14011	CLIP, pipe (256-11189-00)	4		
41	447-11135-00	PLATE, breather 3	1		

Fig. 2 CYLINDER



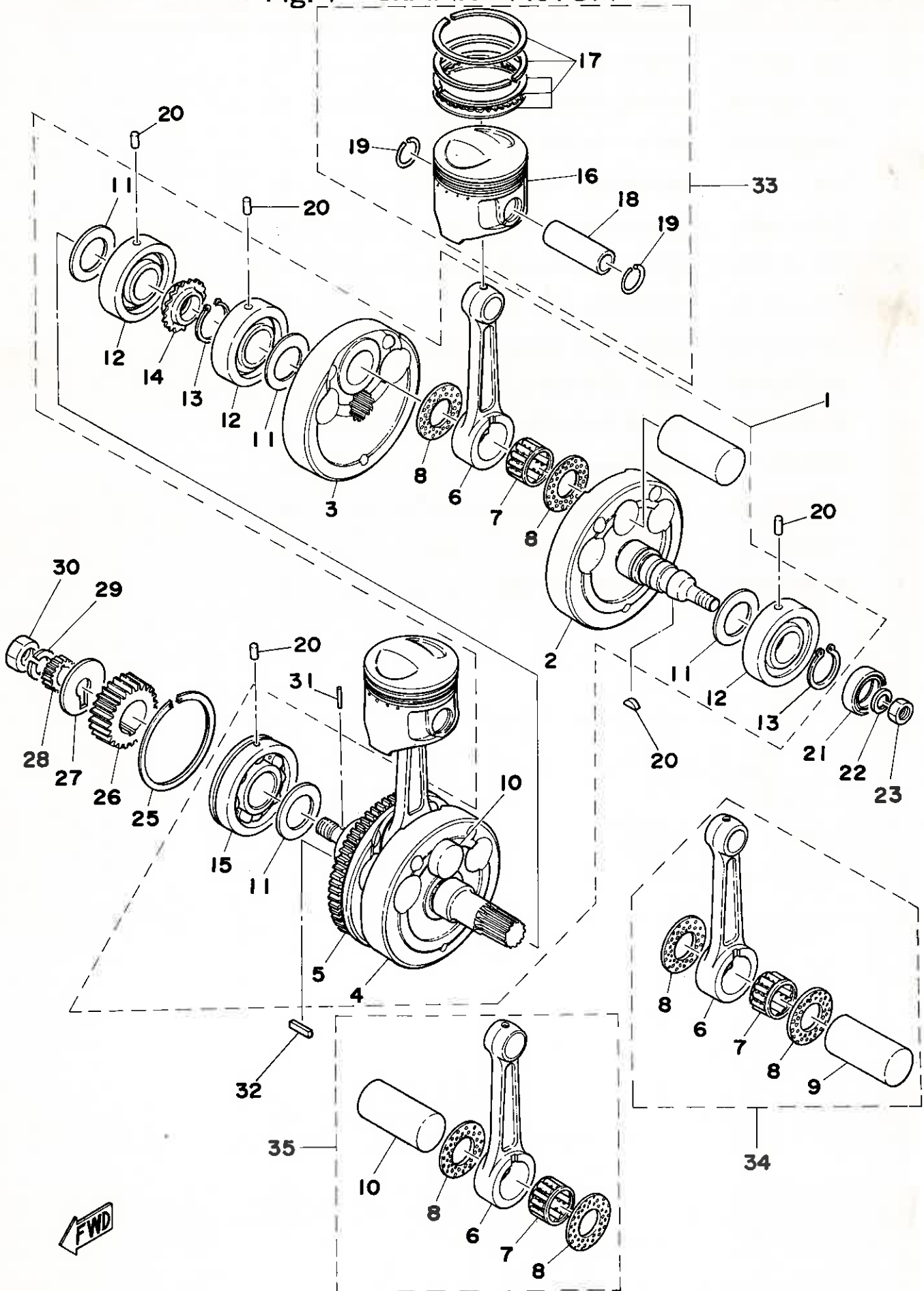
Ref. No.	Parts No.	Description	Q'ty	Applicable Machine No.	Remarks
2- 1	306-11311-00	CYLINDER	1		
2	91810-16016	PIN, dowel (10.5-14-16)	4		
3	90116-10108	BOLT, stud (256-11361-00)	8		
4	93210-82153	O-RING (1.5-81.5)	2		
5	256-11351-00	GASKET, cylinder	1		
6	306-11181-00	GASKET, cylinder head	1		
7	97321-08035	BOLT, hexagon	2		
8	92903-08200	WASHER, plain	2		
9	97323-06035	BOLT	1		
10	92903-06200	WASHER, plain	1		
11	256-11395-02	HOLDER	2		
12	90430-11033	GASKET (256-11397-01)	2		

Fig. 3 VALVE - ROCKER ARM



Ref. No.	Parts No.	Description	Q'ty	Applicable Machine No.	Remarks
3- 1	341-12111-02	VALVE, intake	2		
2	341-12121-01	VALVE, exhaust	2		
3	256-12116-01	SEAT, valve spring	4		
4	90501-42286	SPRING (447-12114-00)	4		
5	90501-29284	SPRING (447-12113-00)	4		
6	341-12119-02	SEAL, valve stem oil	4		
7	256-12117-00	RETAINER, valve spring	4		
8	341-12118-00	LOCK, valve spring retainer	8		
9	306-12151-00	ARM, valve rocker	4		
10	90149-08098	SCREW (447-12159-01)	4		
11	90170-08173	NUT, hexagon	4		
12	256-12156-01	SHAFT, rocker	4		
13	93210-17143	O-RING (2.5-17.7)	4		
14	90340-18017	PLUG (256-11177-00)	4		

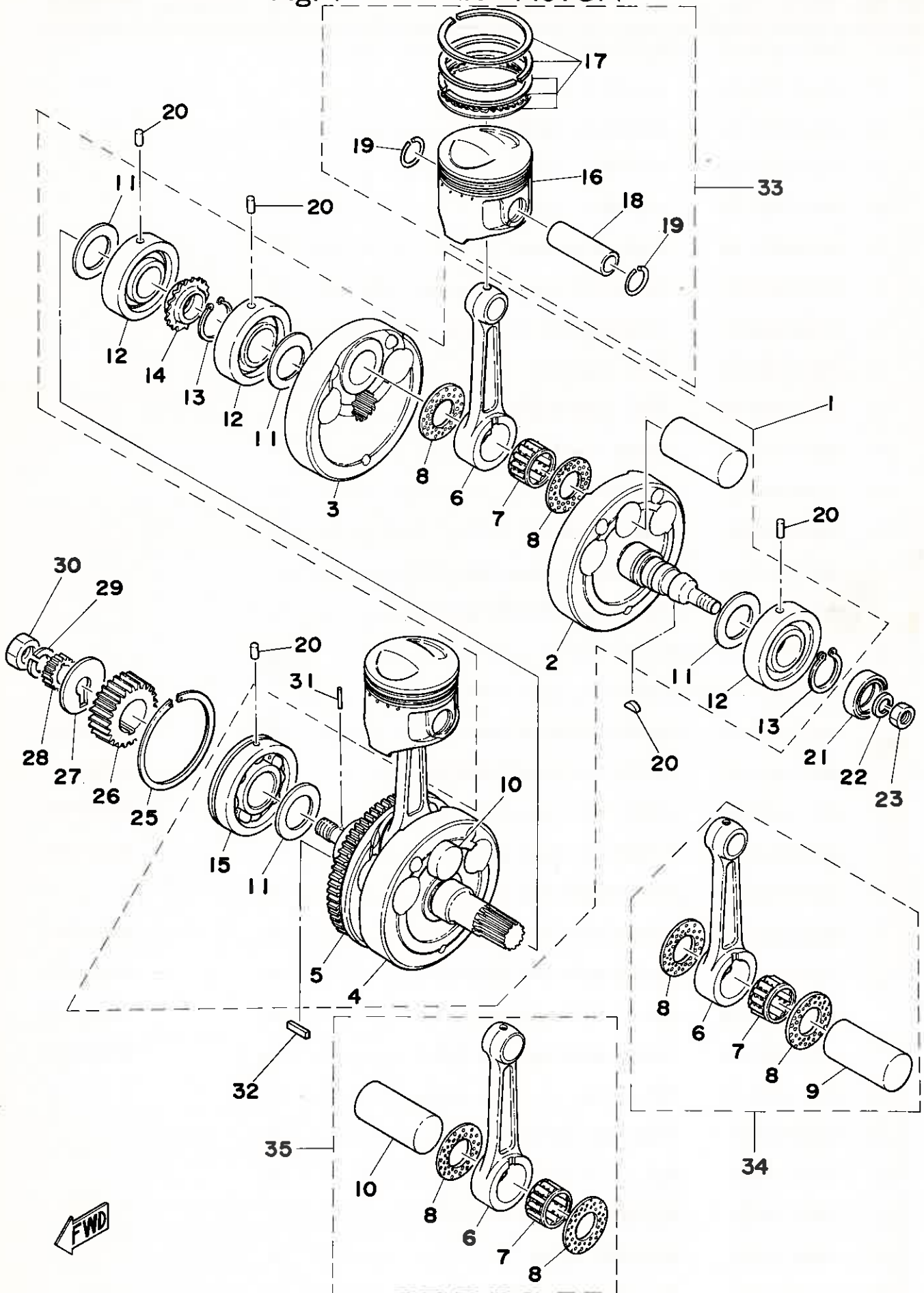
Fig. 4 CRANK · PISTON



FWD

Ref. No.	Parts No.	Description	Q'ty	Applicable Machine No.	Remarks
4- 1	447-11400-01	CRANK ASS'Y	1		
2	256-11412-01	. CRANK 1, left	1		
3	256-11422-01	. CRANK 1, right	1		
4	256-11432-02	. CRANK 2, left	1		
5	306-11442-03	. CRANK 2, right	1		
6	447-11651-00	. ROD, connecting	2		
7	93310-62660	. BEARING, con-rod big end	2		
8	90209-26014	. WASHER (256-11685-00)	4		
9	256-11681-00	. PIN, crank left	1		
10	306-11681-00	. PIN, crank right	1		
11	256-11561-00	. SHIM, crank (32.2-44-1.0)	4		
12	93390-00003	. BEARING	3		
13	93410-32019	. CIRCLIP (S-32)	2		
14	447-11549-01	. SPROCKET, cam chain (17T)	1		
15	93306-30604	. BEARING (B6306C3 special)	1		
16	447-11631-01-96	PISTON (74.96mm STD)	2	U. R.	
	447-11631-01-97	PISTON (74.97mm STD)			
	447-11635-01	PISTON (75.25mm 1st O.S.)	2		Alternate Parts
	447-11636-01	PISTON (75.50mm 2nd O.S.)	2		Alternate Parts
	447-11637-01	PISTON (75.75mm 3rd O.S.)	2		Alternate Parts
	447-11638-01	PISTON (76.00mm 4th O.S.)	2		Alternate Parts
17	447-11610-00	PISTON RING SET (STD)	2		
	447-11610-10	PISTON RING SET (1st O.S.)	2s		Alternate Parts
	447-11610-20	PISTON RING SET (2nd O.S.)	2s		Alternate Parts
	447-11610-30	PISTON RING SET (3rd O.S.)	2s		Alternate Parts
	447-11610-40	PISTON RING SET (4th O.S.)	2s		Alternate Parts
18	363-11633-00	PIN, piston	2		
19	93450-22027	CLIP (341-11634-00)	4		
20	93605-12069	PIN, dowel (4.5-11.8)	4		
21	93102-25121	OIL SEAL (SD-25-40.6-9)	1		
22	92901-12100	WASHER, spring	1		
23	90170-12064	NUT (256-11556-00)	1		

Fig. 4 CRANK · PISTON

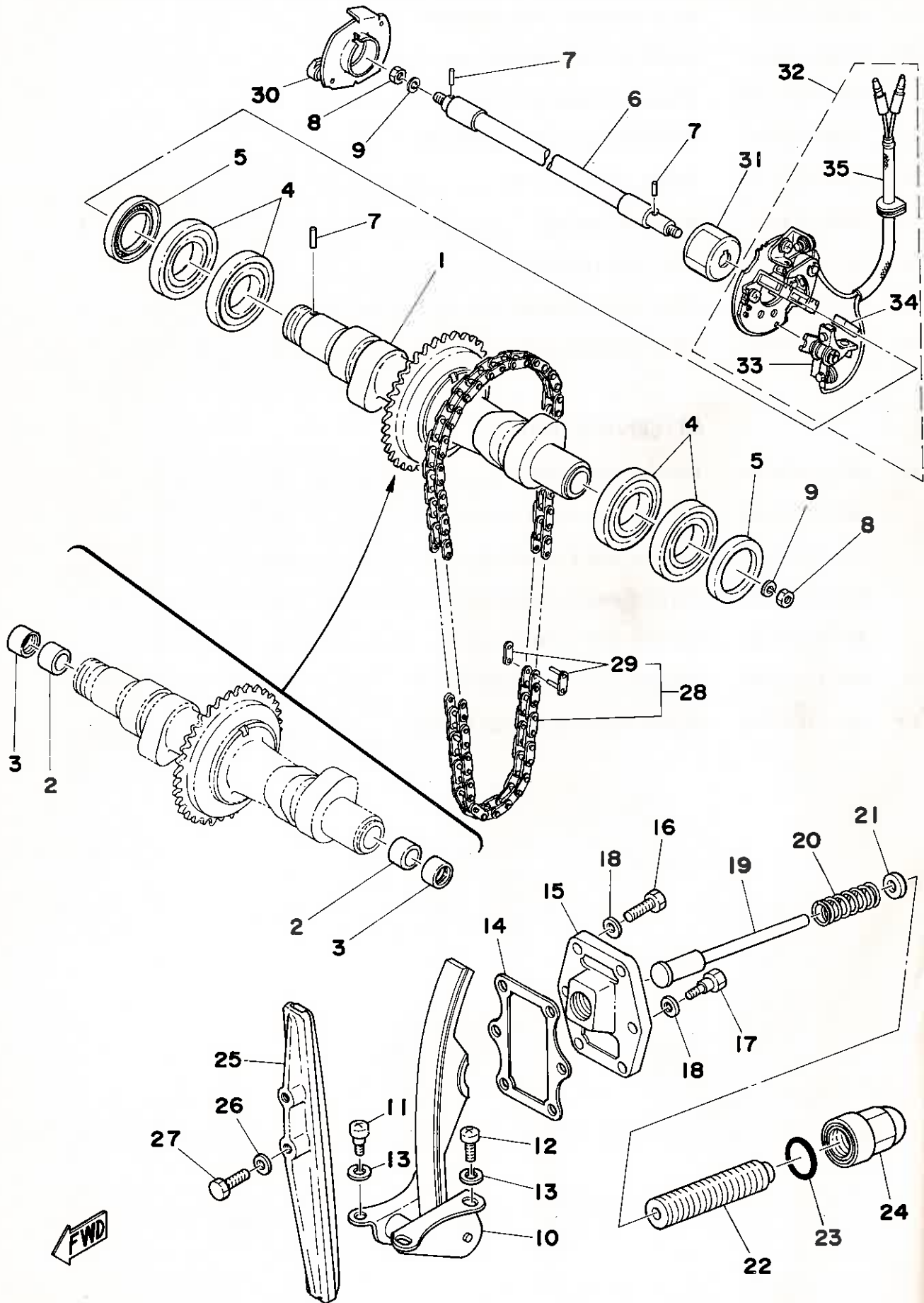


Ref. No.	Parts No.	Description	Q'ty	Applicable Machine No.	Remarks
4-24	90280-04005	KEY, woodruff (341-11545-00)	1		
25	93440-78011	CIRCLIP (78 ϕ special)	1		
26	256-16111-00	GEAR, primary drive (27T)	1		
27	90214-16001	WASHER, lock (256-11587-00)	1		
28	256-13324-01	GEAR, drive 1 (17T)	1		
29	92901-14100	WASHER, spring	1		
30	90170-14076	NUT (256-11555-00)	1		
31	93603-17070	PIN, dowel (3-16.8)	1		
32	90282-07006	KEY, woodruff (278-11546-00)	1		

ALTERNATE PARTS

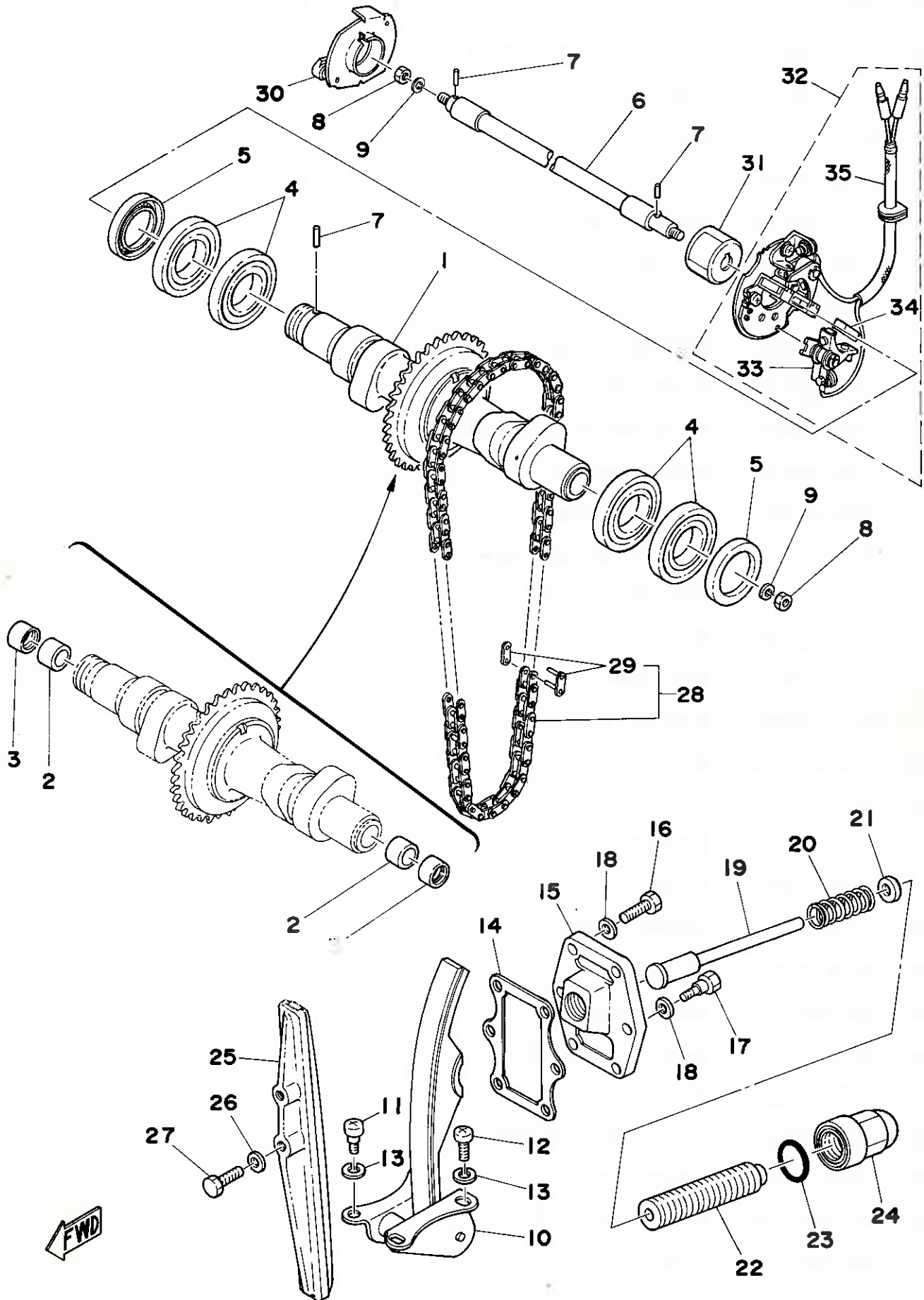
33	447-11630-00	PISTON ASS'Y (STD)	1s	} Ref. No. 16,17,18,19
	447-11630-10	PISTON ASS'Y (1st O.S.)	1s	
	447-11630-20	PISTON ASS'Y (2nd O.S.)	1s	
	447-11630-30	PISTON ASS'Y (3rd O.S.)	1s	
	447-11630-40	PISTON ASS'Y (4th O.S.)	1s	
34	447-11650-00	CONNECTING ROD ASS'Y, left	1s	Ref. No. 6,7,8,9
35	447-11650-10	CONNECTING ROD ASS'Y, right	1s	Ref. No. 6,7,8,10

Fig. 5 CAMSHAFT · CHAIN TENSIONER



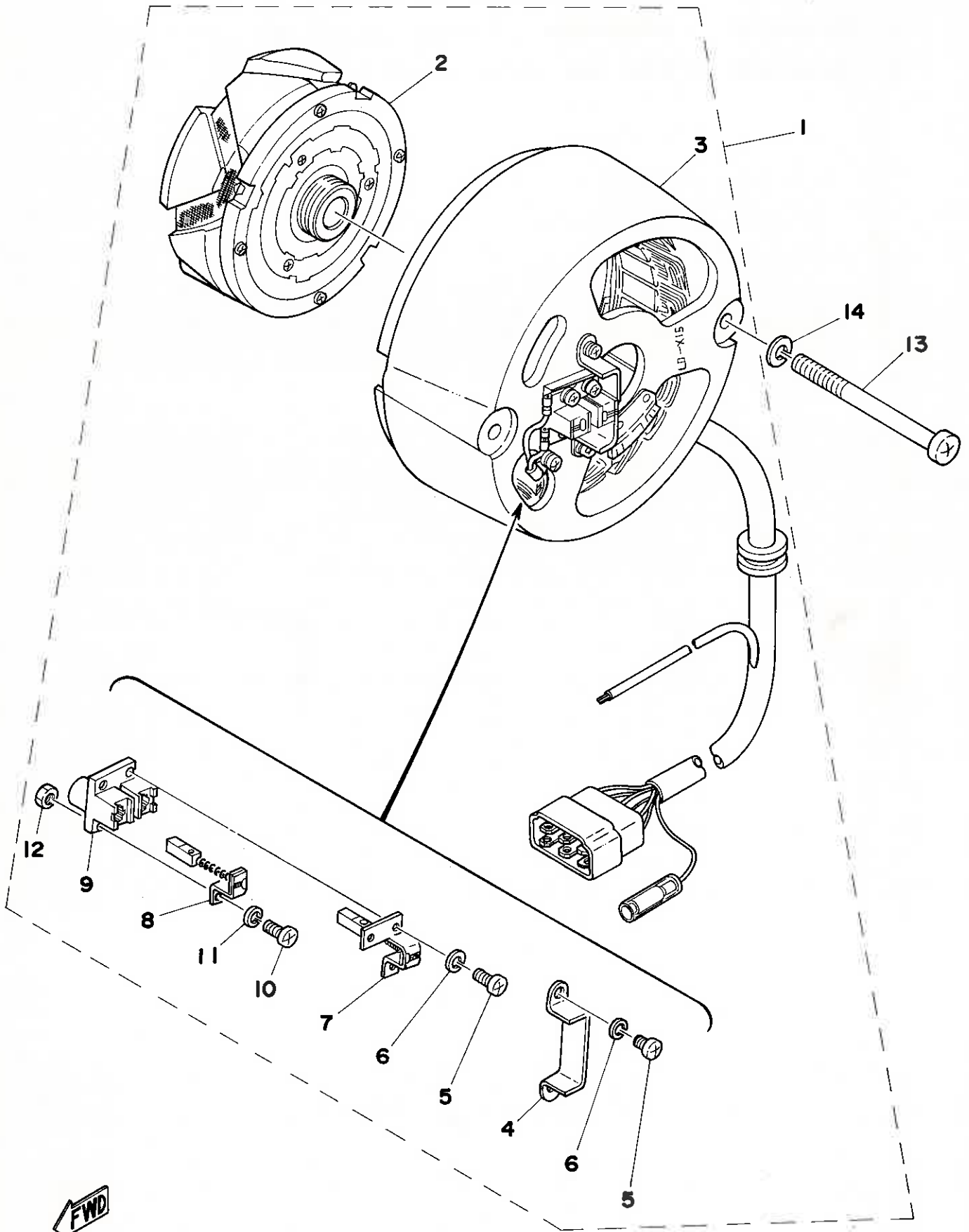
Ref. No.	Parts No.	Description	Q'ty	Applicable Machine No.	Remarks
5- 1	447-12170-00	CAM SHAFT ASS'Y	1		
2	256-11154-00	. BUSHING, breaker shaft	2		
3	256-11155-00	. SEAL, labyrinth	2		
4	93316-00503	BEARING (B16005 special)	4		
5	93101-25044	OIL SEAL (S-25-40-6)	2		
6	256-11156-00	SHAFT, breaker	1		
7	93603-07073	PIN, dowel (3-7)	3		
8	95301-06600	NUT	2		
9	92901-06100	WASHER, spring	2		
10	447-12220-00	GUIDE, stopper 2	1		
11	90149-06009	BOLT, reamer (256-12248-00)	2		
12	92501-06015	SCREW, panhead	2		
13	92901-06100	WASHER, spring	4		
14	306-12213-01	GASKET, tensioner case	1		
15	584-12211-00	HOLDER, tensioner	1		
16	97303-06018	BOLT	4		
17	90109-06019	BOLT (256-12249-00)	2		
18	92901-06200	WASHER, plain	6		
19	341-12217-03	ROD	1		
20	90501-14095	SPRING (341-12216-02)	1		
21	341-12232-01	DAMPER	1		
22	90109-18307	BOLT (341-12228-00)	1		
23	93120-21190	O-RING (2.6-20.6)	1		
24	90176-18021	NUT, cap	1		
25	256-12231-01	GUIDE, stopper 1	1		
26	90430-06014	GASKET (256-11396-00)	2		
27	97303-06020	BOLT	2		
28	94562-19106	CHAIN (DK219FT 106L)	1		
29	94662-19001	. JOINT, chain	1		
30	256-81653-10	GOVERNER ASS'Y	1		
31	256-81651-10	CAM	1		
32	447-81620-10	BREAKER PLATE ASS'Y	1		

Fig. 5 CAMSHAFT · CHAIN TENSIONER



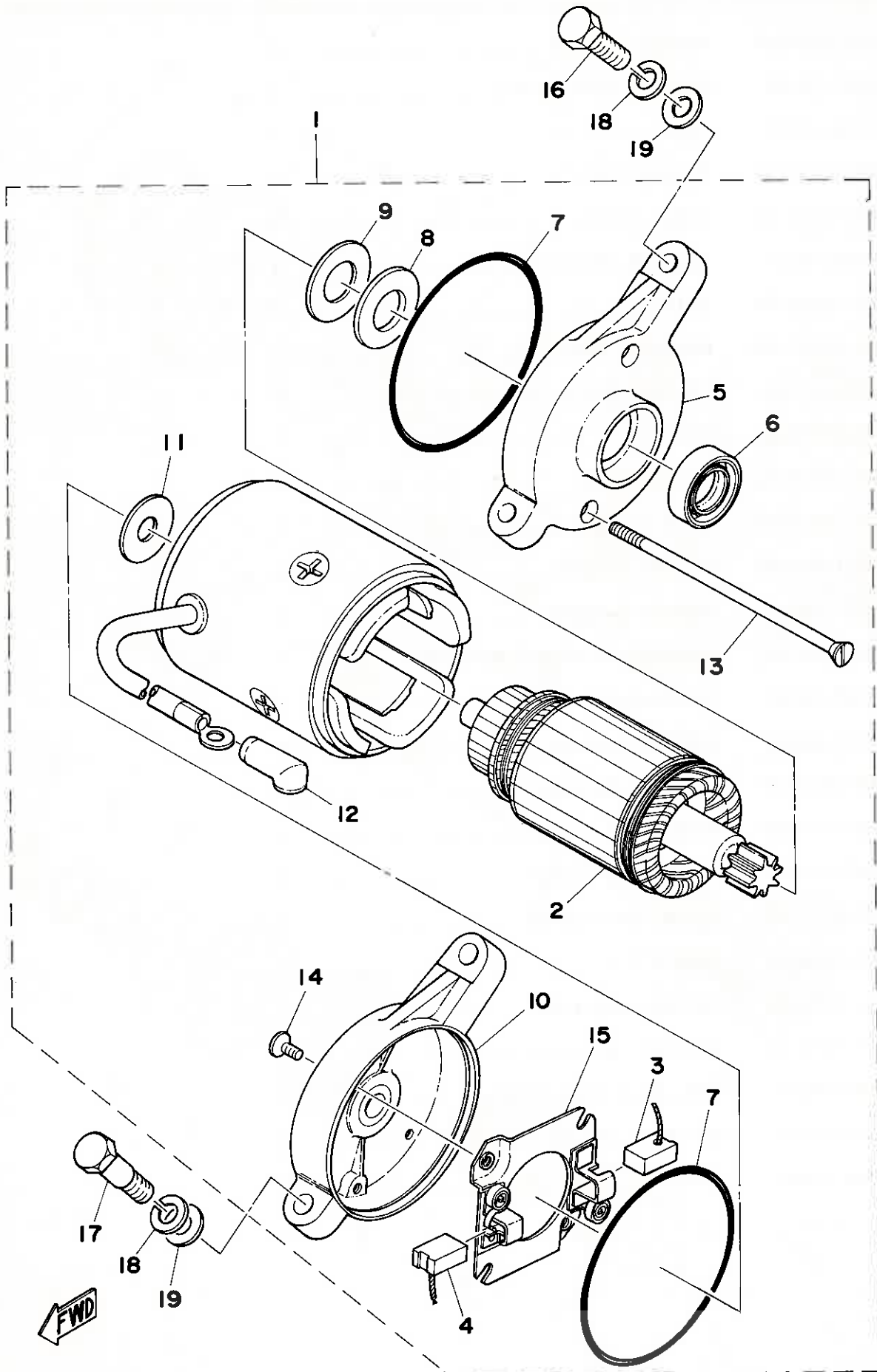
Ref. No.	Parts No.	Description	Qty	Applicable Machine No.	Remarks
5-33	256-81621-11	. CONTACT BREAKER	2		
34	256-81631-10	. LUBRICATOR	2		
35	256-81615-10	. WIRE, lead	1		

Fig. 6 A. C. GENERATOR



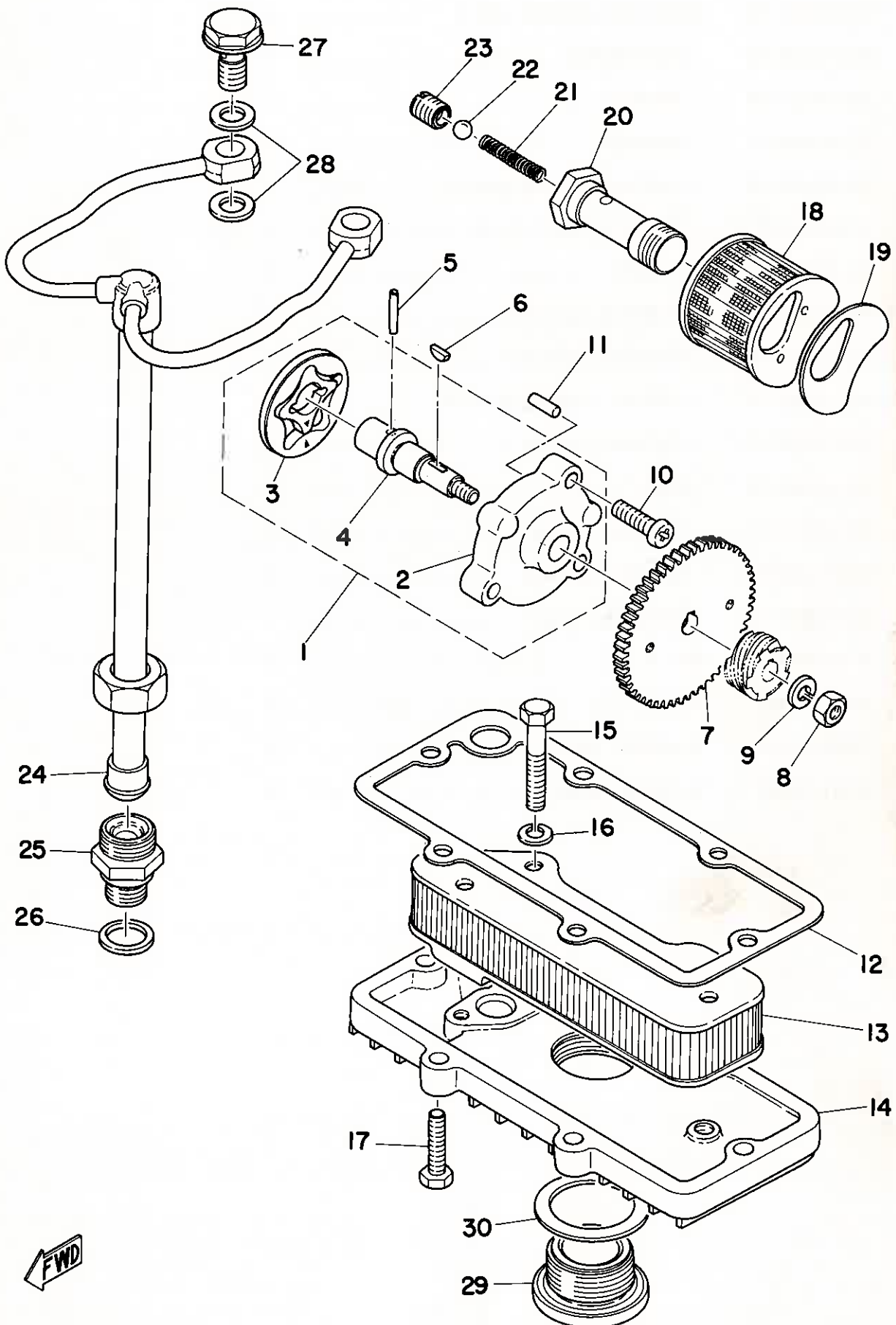
Ref. No.	Parts No.	Description	Q'ty	Applicable Machine No.	Remarks
6- 1	306-81600-12	A. C. GENERATOR ASS'Y	1		
2	256-81650-11	. ROTOR ASS'Y	1		
3	306-81610-11	. STATOR ASS'Y	1		
4	256-81614-10	. . PROTECTOR	1		
5	98501-04008	. . SCREW, panhead	2		
6	92901-04100	. . WASHER, spring	2		
7	256-81611-11	. . BRUSH 1	1		
8	256-81612-11	. . BRUSH 2	1		
9	256-81613-10	. . HOLDER, brush 1	1		
10	98501-04012	. . SCREW, panhead	4		
11	92901-04100	. . WASHER, spring	4		
12	95301-04600	. . NUT	1		
13	92501-06075	SCREW, panhead	2		
14	92901-06100	WASHER, spring	2		

Fig. 8 STARTING MOTOR



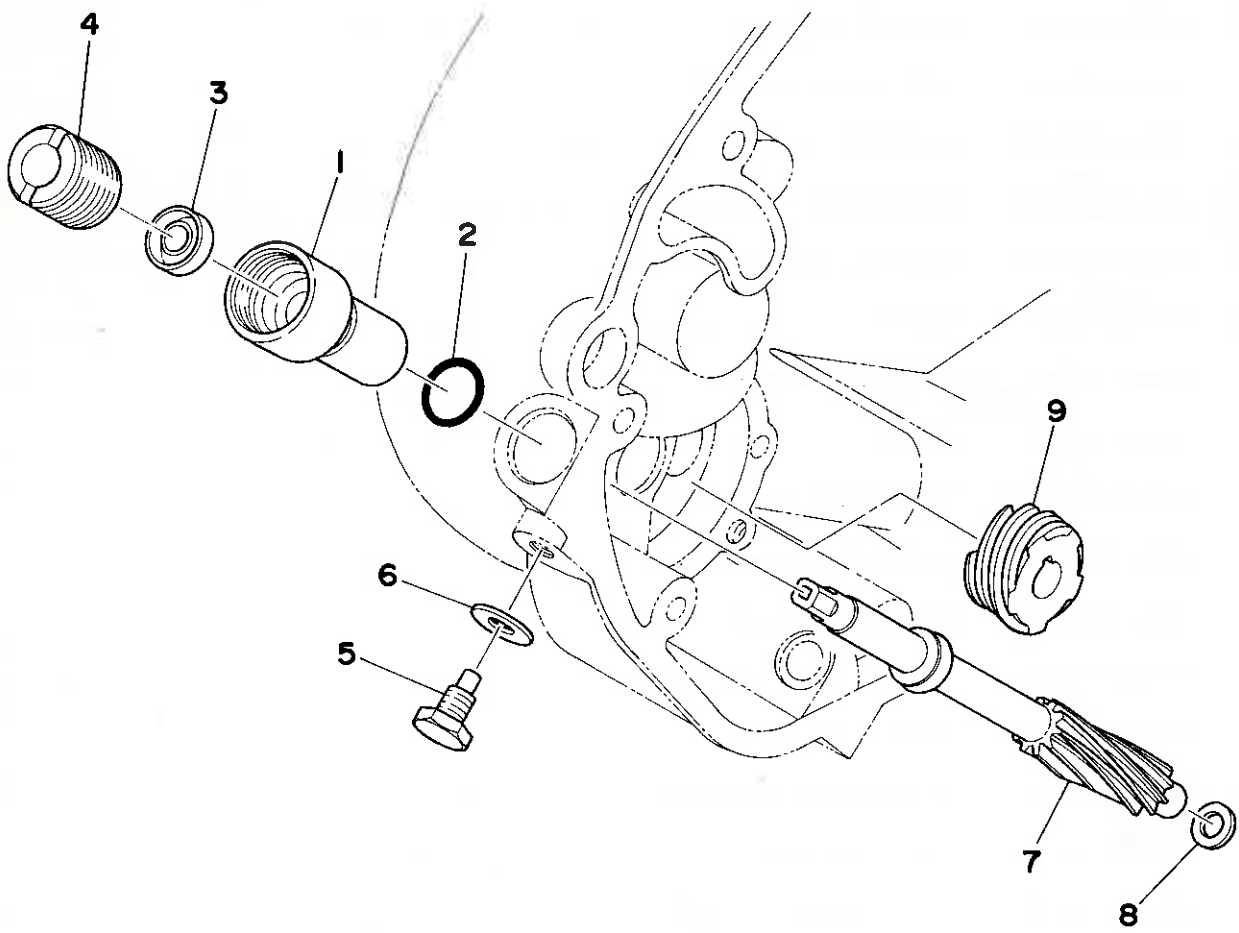
Ref. No.	Parts No.	Description	Q'ty	Applicable Machine No.	Remarks
8-1	306-81800-12	STARTING MOTOR ASS'Y	1		
2	306-81850-10	. ARMATURE	1		
3	306-81811-10	. BRUSH 1	1		
4	306-81812-10	. BRUSH 2	1		
5	306-81825-10	. COVER, starting motor 1	1		
6	93101-17047	. OIL SEAL (S-17-28-8)	1		
7	306-81827-10	. O-RING	2		
8	306-81893-10	. WASHER, special	1		
9	306-81828-10	. WASHER, thrust 1	1		
10	306-81826-10	. COVER, starting motor 2	1		
11	306-81829-10	. WASHER, thrust 2	2		
12	306-81862-10	. CAP	1		
13	306-81823-10	. SCREW, special	2		
14	98701-04010	. SCREW, flathead	2		
15	306-81840-10	. HOLDER, brush	1		
16	90109-08393	BOLT	2		
17	97321-08035	BOLT	2		
18	92901-08100	WASHER, spring	4		
19	92901-08200	WASHER, plain	4		

Fig. 9 OIL PUMP



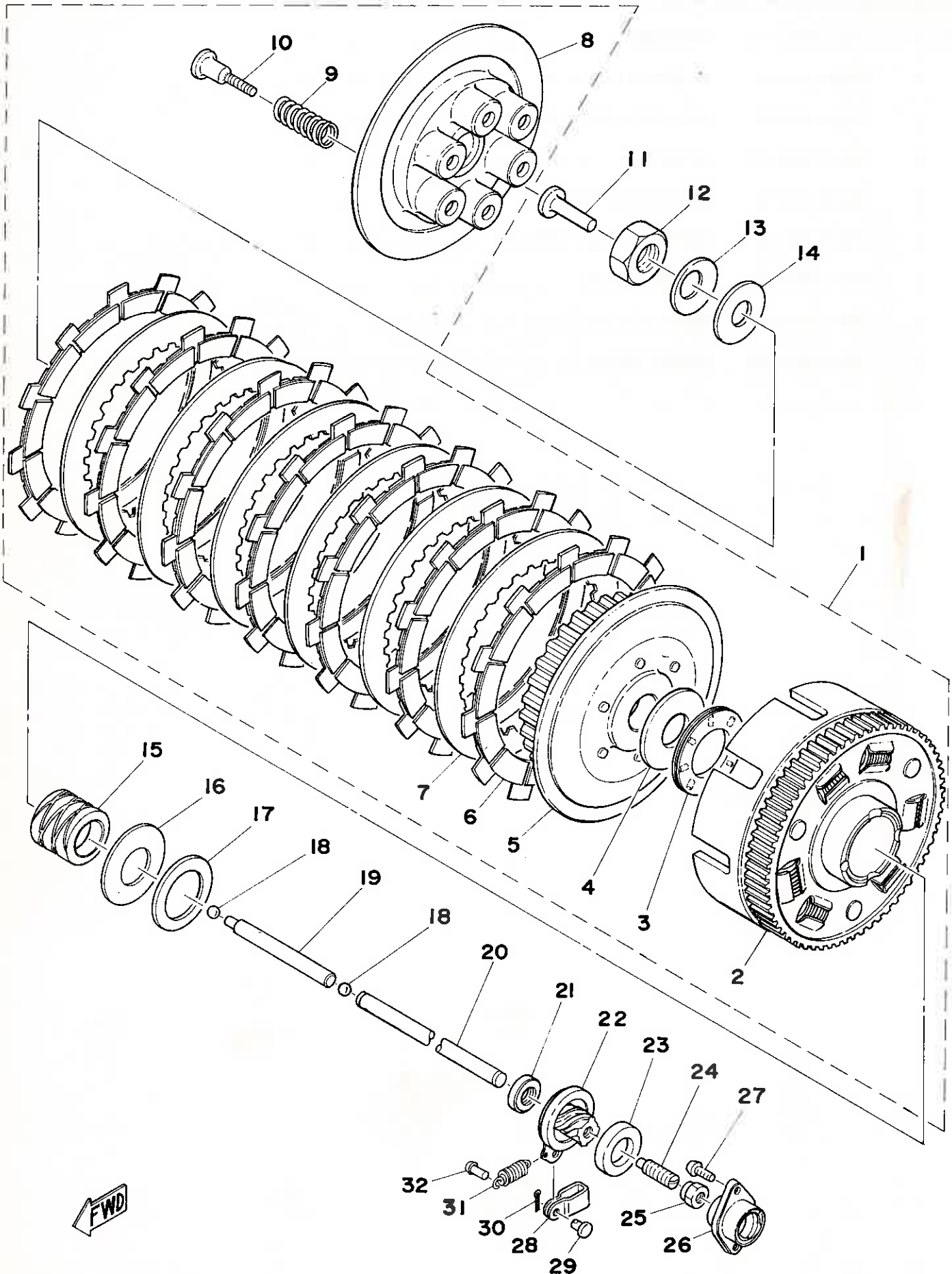
Ref. No.	Parts No.	Description	Qty	Applicable Machine No.	Remarks
9- 1	256-00001-01	ROTOR AND SHAFT ASS'Y	1s		
2	256-13316-02	. COVER, pump	1		
3	256-13310-02	. ROTOR ASS'Y	1		
4	256-13314-02	. SHAFT	1		
5	93603-17070	PIN, dowel (3-16.8)	1		
6	90280-03023	KEY, woodruff (256-13334-00)	1		
7	256-13325-00	GEAR, driven (43T)	1		
8	95301-06600	NUT	1		
9	92901-06100	WASHER, spring	1		
10	92501-06020	SCREW, panhead	3		
11	93604-12037	PIN, dowel (4-11.8)	2		
12	256-13414-00	GASKET, strainer	1		
13	256-13411-01	STRAINER	1		
14	256-13417-00	COVER, strainer	1		
15	97301-06045	BOLT	3		
16	92901-06100	WASHER, spring	3		
17	97301-06025	BOLT	6		
18	256-13441-00	ELEMENT, oil	1		
19	256-13445-00	GASKET, element	1		
20	256-13495-00	SCREW, element	1		
21	90501-07031	SPRING (256-13494-00)	1		
22	93501-04011	BALL (1/4 inch)	1		
23	90149-10019	SCREW (256-13493-00)	1		
24	256-13161-01	PIPE, delivery 1	1		
25	256-13165-01	BOLT, banjo 1	1		
26	90430-14043	GASKET (256-13167-00)	1		
27	90401-10004	BOLT (256-13166-00)	2		
28	90430-10027	GASKET (256-13168-00)	4		
29	256-15351-00	PLUG, drain	1		
30	256-15353-00	GASKET, drain plug	1		

Fig. 10 TACHOMETER GEAR



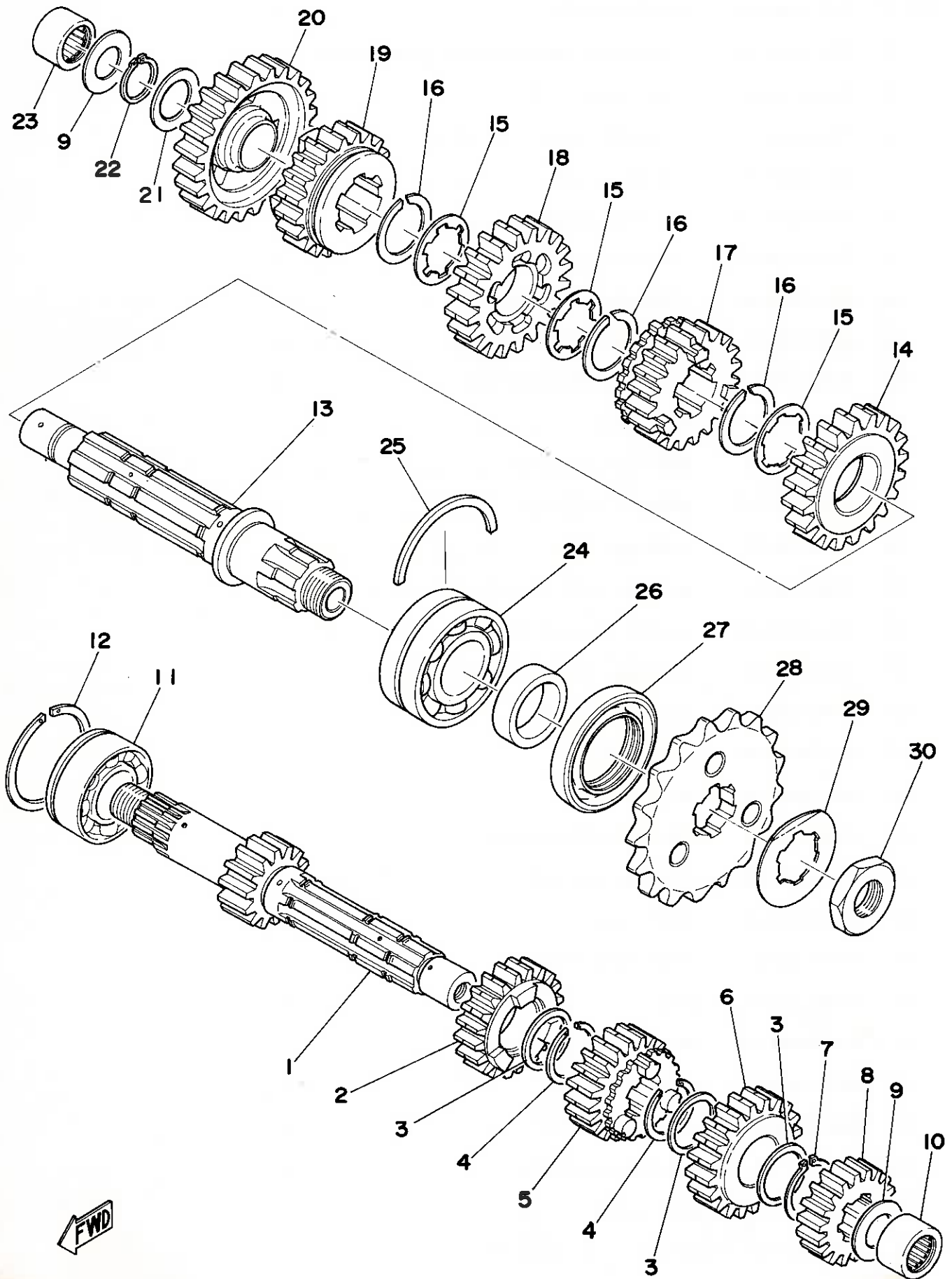
Ref. No.	Parts No.	Description	Q'ty	Applicable Machine No.	Remarks
10- 1	256-17811-01	HOUSING	1		
2	93210-12154	O-RING (1.3-11.5)	1		
3	93104-07036	OIL SEAL (SO-7-13-4)	1		
4	256-17848-00	ADAPTER	1		
5	90109-06076	BOLT (256-17867-00)	1		
6	90430-06014	GASKET (256-11396-00)	1		
7	256-17841-01	GEAR, driven	1		
8	256-17837-00	SHIM (8.2-12-1.0)	1		
9	256-17831-00	GEAR, drive	1		

Fig. 11 CLUTCH



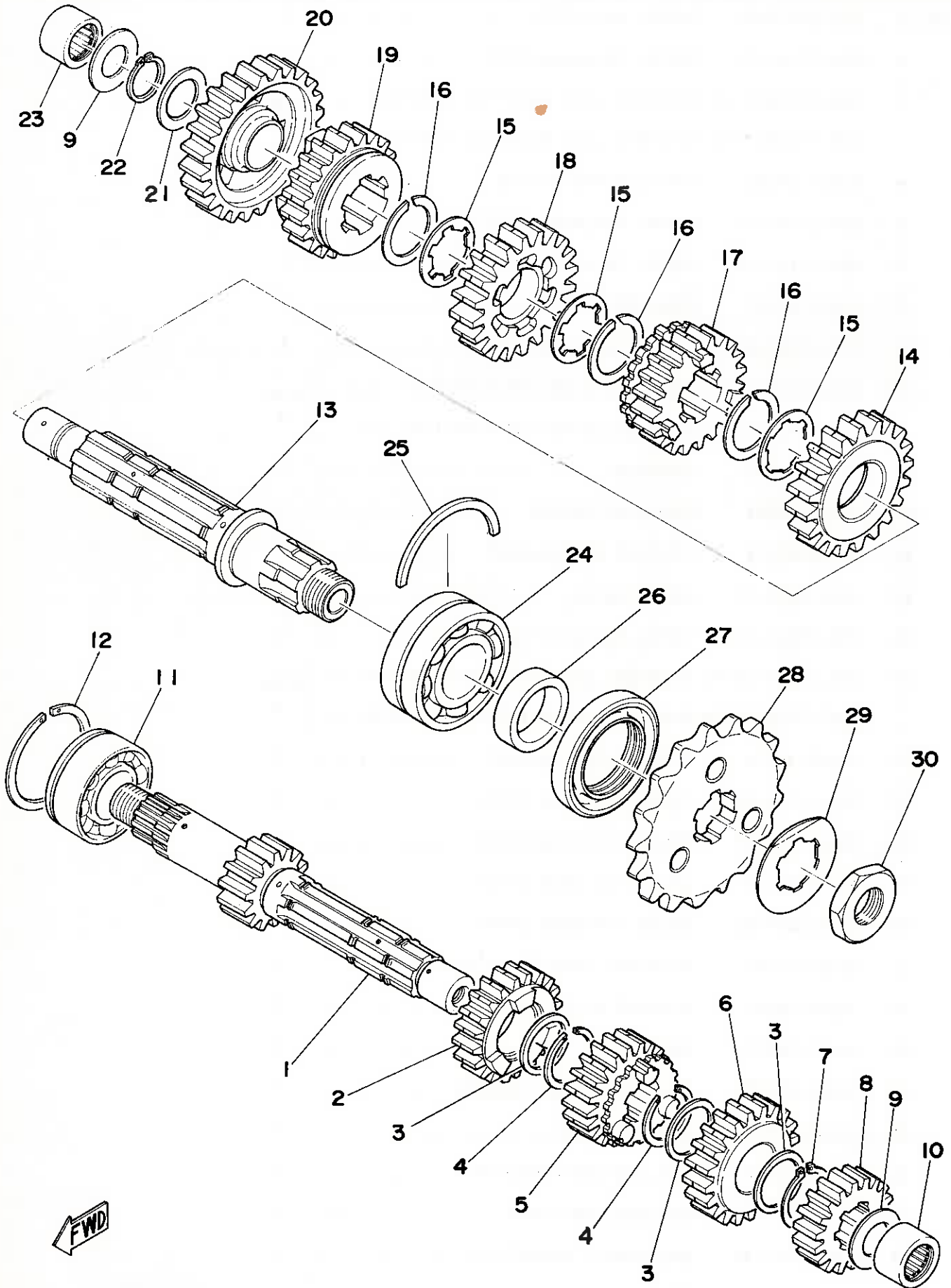
Ref. No.	Parts No.	Description	Qty	Applicable Machine No.	Remarks
11- 1	447-16301-00	CLUTCH ASS'Y	1		
2	256-16150-01	. PRIMARY DRIVEN GEAR COMP.(72T)	1		
3	93341-23504	. BEARING	1		
4	170-16164-00	. PLATE, thrust 2 (25-50-2)	1		
5	341-16371-01	. BOSS, clutch	1		
6	341-16321-13	. PLATE, friction 1	7		
7	341-16325-01	. PLATE, clutch	6		
8	341-16351-01	. PLATE, pressure	1		
9	90501-23142	. SPRING (256-16333-00)	6		
10	90149-06077	. SCREW (256-16337-00)	6		
11	256-16356-00	ROD, push 1	1		
12	90170-18089	NUT (156-16174-00)	1		
13	214-16119-00	SPRING, belleville	1		
14	92901-18200	WASHER, plain	1		
15	90560-25131	SPACER (256-16181-01)	1		
16	170-16164-00	PLATE, thrust 2 (25-50-2)	1		
17	90201-25290	WASHER, plate (131-15653-00)	1		
18	93505-16006	BALL (5/16 inch)	2		
19	447-16357-00	ROD, push 2	1		
20	341-16376-00	ROD, push 3	1		
21	93102-08118	OIL SEAL (SD-8-25-6)	1		
22	256-16340-01	PUSH LEVER ASS'Y	1		
23	214-16347-01	SEAL, dust	1		
24	90113-08021	BOLT (256-16343-01)	1		
25	90179-08179	NUT	1		
26	256-16396-01	HOUSING, push screw	1		
27	98501-05012	SCREW, panhead	2		
28	214-16389-00	JOINT	1		
29	90240-06005	PIN (214-16379-00)	1		
30	91401-10010	PIN, cotter	1		
31	90506-10023	SPRING (168-16345-00)	1		
32	132-16346-00	HOOK, spring	1		

Fig. 12 TRANSMISSION



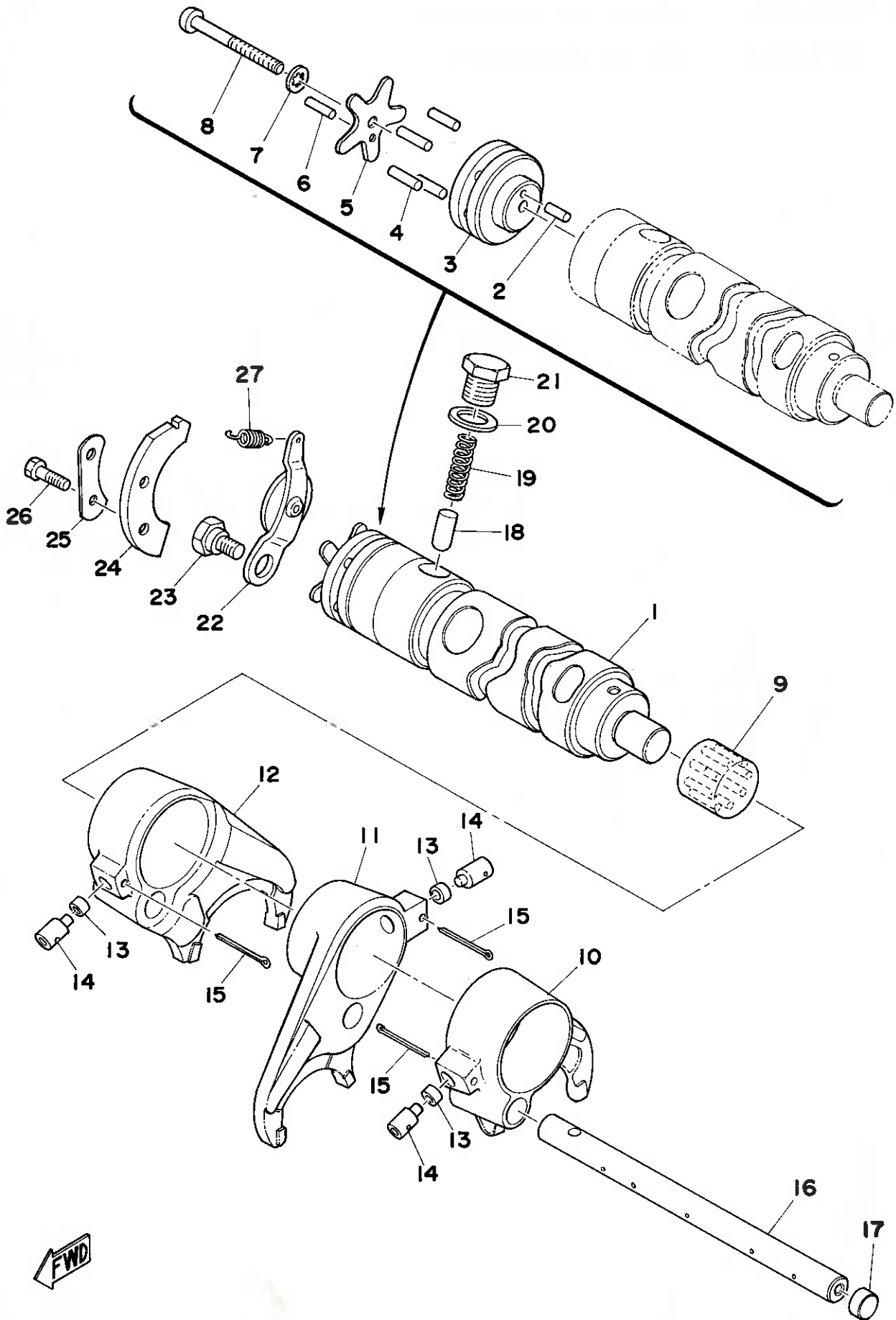
Ref. No.	Parts No.	Description	Q'ty	Applicable Machine No.	Remarks
12- 1	306-17411-00	AXLE, main (13T)	1		
2	256-17141-01	GEAR, 4th pinion (21T)	1		
3	256-17154-00-10	WASHER, gear hold 5 (25.2-30-1.0) ..	} U.R. 3		
	256-17154-00-12	WASHER, gear hold 5 (25.2-30-1.2) ..			
4	93440-25020	CIRCLIP (25 ϕ special)	2		
5	256-17131-01	GEAR, 3rd pinion (20T)	1		
6	341-17151-03	GEAR, 5th pinion (23T)	1		
7	93410-25017	CIRCLIP (S-25)	1		
8	256-17121-00	GEAR, 2nd pinion (17T)	1		
9	137-17427-00-06	SHIM, drive axle (20.2-33-0.6)	} U.R. 2		
	137-17427-00-10	SHIM, drive axle (20.2-33-1.0)			
10	93313-32007	BEARING	1		
11	93305-20504	BEARING (B5205)	1		
12	93440-52014	CIRCLIP (52 ϕ special)	1		
13	256-17421-00	AXLE, drive	1		
14	256-17221-01	GEAR, 2nd wheel (27T)	1		
15	256-17236-00-10	WASHER, gear hold 2 (26.2-34-1.0) ..	} U.R. 3		
	256-17236-00-12	WASHER, gear hold 3 (26.2-34-1.2) ..			
16	93440-30015	CIRCLIP (30 ϕ special)	3		
17	256-17251-03	GEAR, 5th wheel (22T)	1		
18	256-17231-03	GEAR, 3rd wheel (26T)	1		
19	256-17241-01	GEAR, 4th wheel (23T)	1		
20	306-17211-01	GEAR, 1st wheel (32T)	1		
21	90201-20266	WASHER, plate (132-17216-00)	1		
22	93410-20021	CIRCLIP (S-20)	1		
23	93313-32005	BEARING	1		
24	93305-20602	BEARING (B5206 special)	1		
25	168-17424-00	CIRCLIP	1		
26	90387-30200	COLLAR (256-17462-00)	1		
27	93105-40018	OIL SEAL (40-62-9)	1		
28	256-17461-70	SPROCKET, drive (17T)	1		

Fig. 12 TRANSMISSION



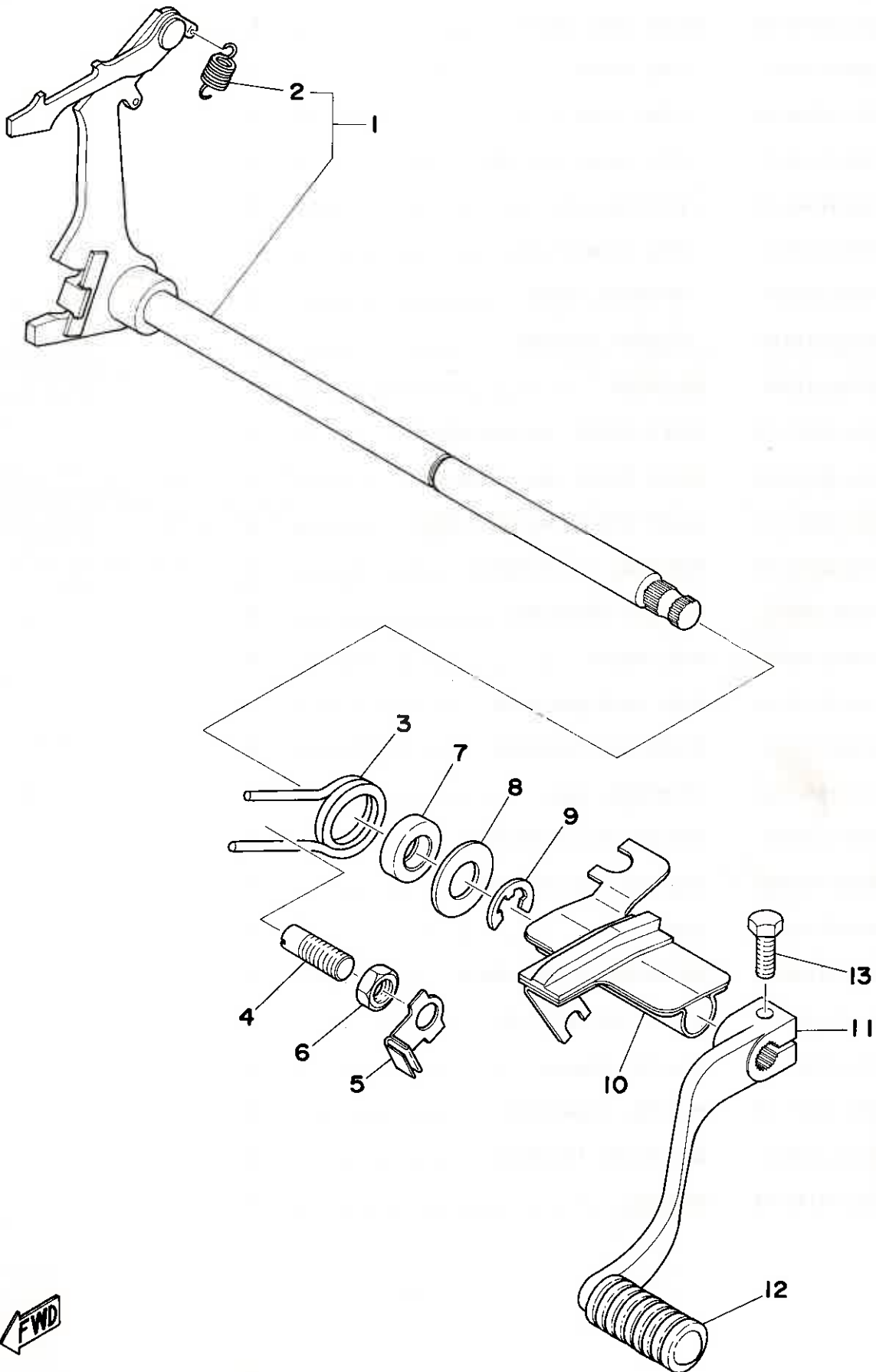
Ref. No.	Parts No.	Description	Q'ty	Applicable Machine No.	Remarks
12-29	90215-26024	WASHER, lock (256-17464-00) 1		
30	90179-22022	NUT, lock (256-17463-00) 1		

Fig.13 SHIFTER 1



Ref. No.	Parts No.	Description	Q'ty	Applicable Machine No.	Remarks
13- 1	306-18540-00	SHIFT CAM ASS'Y	1		
2	93604-10011	. PIN, dowel	2		
3	306-18546-00	. CAM, shift 2	1		
4	93604-14012	. PIN, dowel (4-13.8)	4		
5	168-18561-00	. PLATE, side	1		
6	93603-14026	. PIN, dowel (3-14)	1		
7	92901-05300	. WASHER, tooth	1		
8	98501-05045	. SCREW, panhead	1		
9	93320-31501	BEARING	1		
10	256-18511-00	SHIFT FORK, 5th gear wheel	1		
11	256-18512-00	SHIFT FORK, 3rd pinion gear	1		
12	256-18513-00	SHIFT FORK, 4th gear wheel	1		
13	136-18551-00	ROLLER, cam follower	3		
14	90249-08001	PIN (256-18552-00)	3		
15	91401-25025	PIN, cotter	3		
16	256-18531-00	BAR, shift fork guide	1		
17	90334-10007	PLUG (256-15439-00)	1		
18	136-18547-00	STOPPER, cam	1		
19	90501-10068	SPRING (306-18558-00)	1		
20	90430-16047	GASKET (256-18567-00)	1		
21	90109-16392	BOLT	1		
22	341-18140-00	STOPPER LEVER ASS'Y	1		
23	90109-06181	BOLT (256-18177-00)	1		
24	256-18562-00	PLATE, stopper	1		
25	256-18565-00	PLATE, screw lock	1		
26	90101-06091	BOLT (341-18594-00)	2		
27	256-18143-02	SPRING	1		

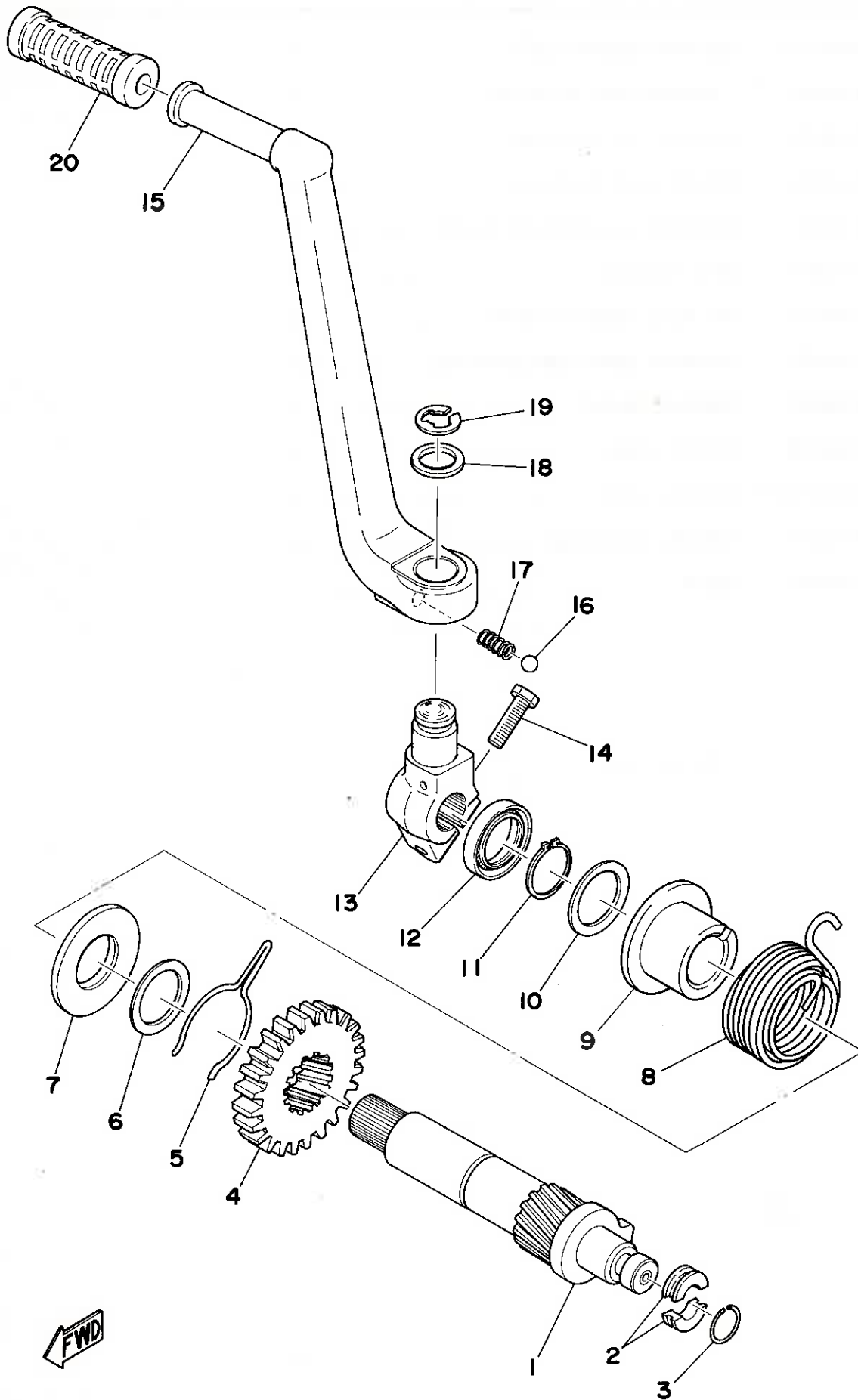
Fig. 14 SHIFTER 2



FWD

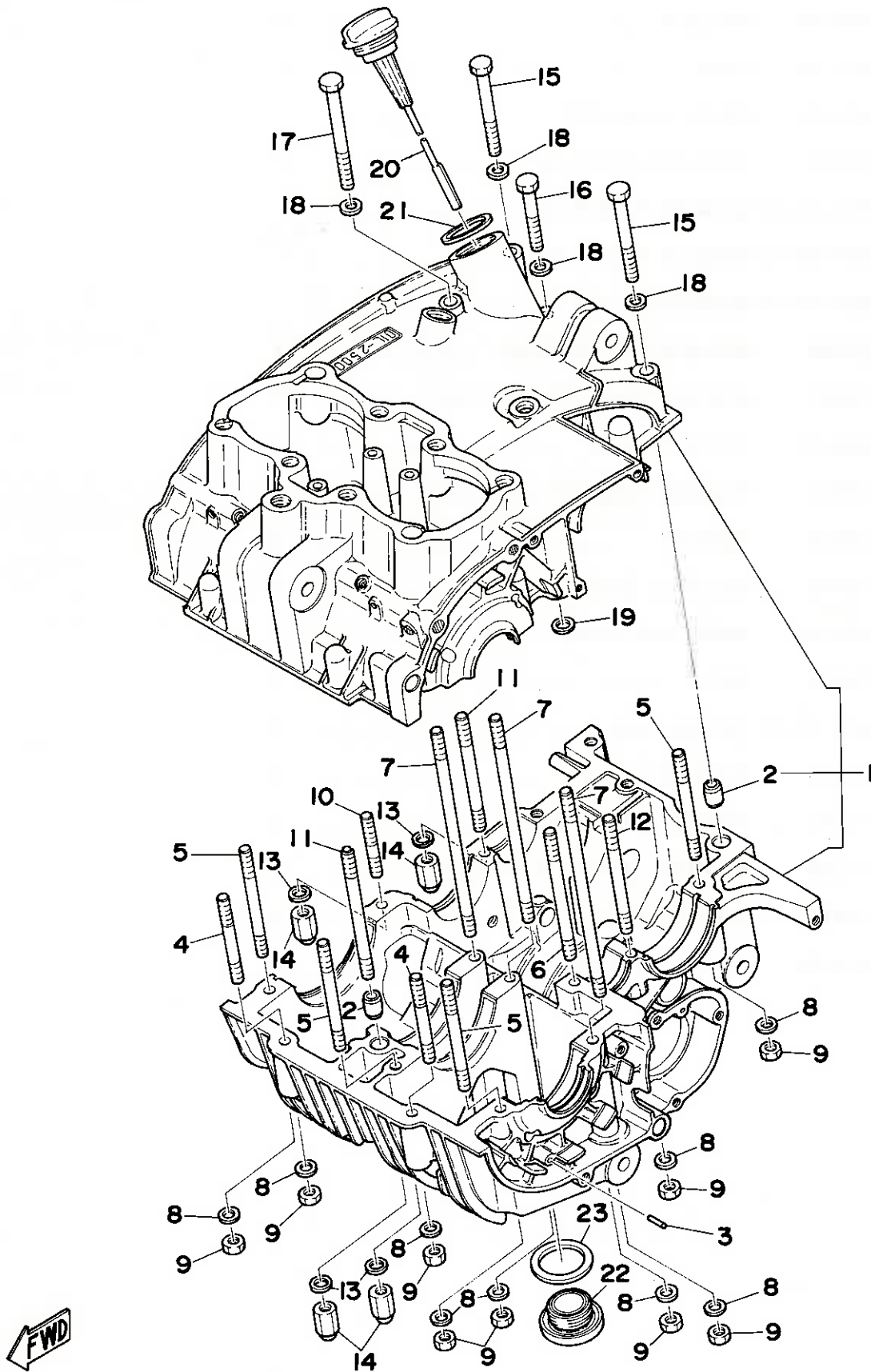
Ref. No.	Parts No.	Description	Q'ty	Applicable Machine No.	Remarks
14- 1	256-18101-02	CHANGE SHAFT ASS'Y	1		
2	90506-08007	. SPRING (168-18123-00)	1		
3	90508-32053	SPRING (168-18124-00)	1		
4	90149-10018	SCREW (168-18133-00)	1		
5	90215-10105	WASHER, lock (306-18139-00)	1		
6	95301-10700	NUT, hexagon	1		
7	93109-14010	OIL SEAL (SDD-14-24-6)	1		
8	90201-14220	WASHER, plate (248-18137-00)	1		
9	93430-12009	CIRCLIP (E-12)	1		
10	447-17467-02	GUIDE, chain	1		
11	256-18111-00-93	PEDAL, shift	1		
12	132-18113-01	COVER, shift pedal	1		
13	97301-06020	BOLT	1		

Fig. 15 KICK STARTER



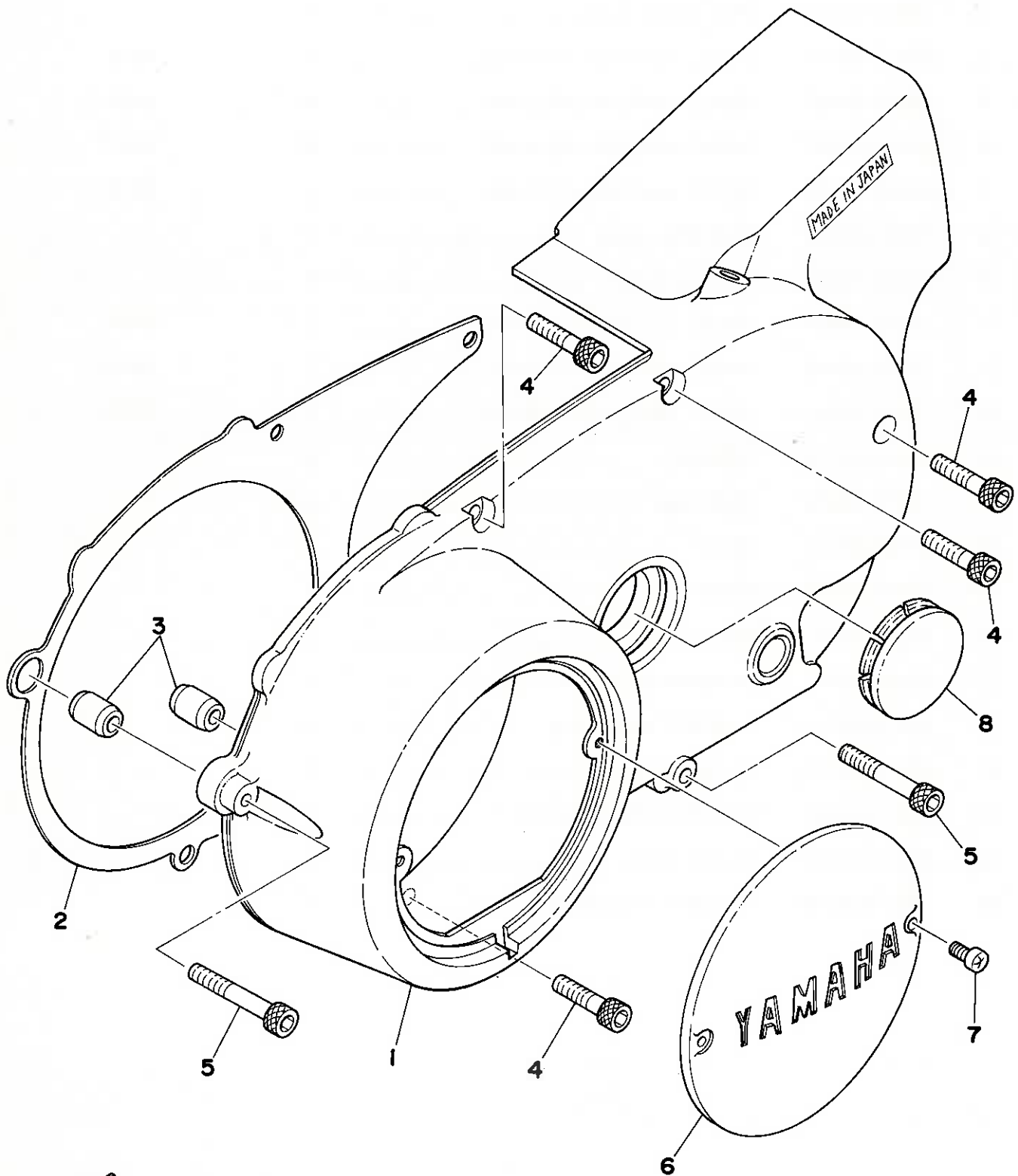
Ref. No.	Parts No.	Description	Q'ty	Applicable Machine No.	Remarks
15- 1	256-15660-02	KICK AXLE ASS'Y	1		
2	256-15654-00	HOLDER	2		
3	256-15673-00	CLIP	1		
4	306-15641-01	GEAR, kick (25T)	1		
5	90468-26044	CLIP (256-15687-00)	1		
6	611-45567-00-01	SHIM (25.5-35-0.1)	} U. R. 1		
	611-45567-00-03	SHIM (25.5-35-0.3)			
	611-45567-00-05	SHIM (25.5-35-0.5)			
7	90560-25048	SPACER (256-15666-00)	2		
8	90508-32062	SPRING, kick (256-15665-00)	1		
9	256-15664-01	GUIDE, spring	1		
10	90201-25290	WASHER, plate (131-15653-00)	2		
11	93410-25017	CIRCLIP	1		
12	93102-25064	OIL SEAL (SD-25-35-7)	1		
13	341-15621-00	BOSS, kick crank	1		
14	97321-08030	BOLT	1		
15	447-15611-00-93	CRANK, kick	1		
16	93505-16006	BALL (5/16 inch)	1		
17	90501-15091	SPRING (168-15622-01)	1		
18	90201-17256	WASHER, plate (256-15615-00)	1		
19	93430-12022	CIRCLIP (E-12)	1		
20	214-15618-00	COVER, kick lever	1		

Fig. 16 CRANKCASE



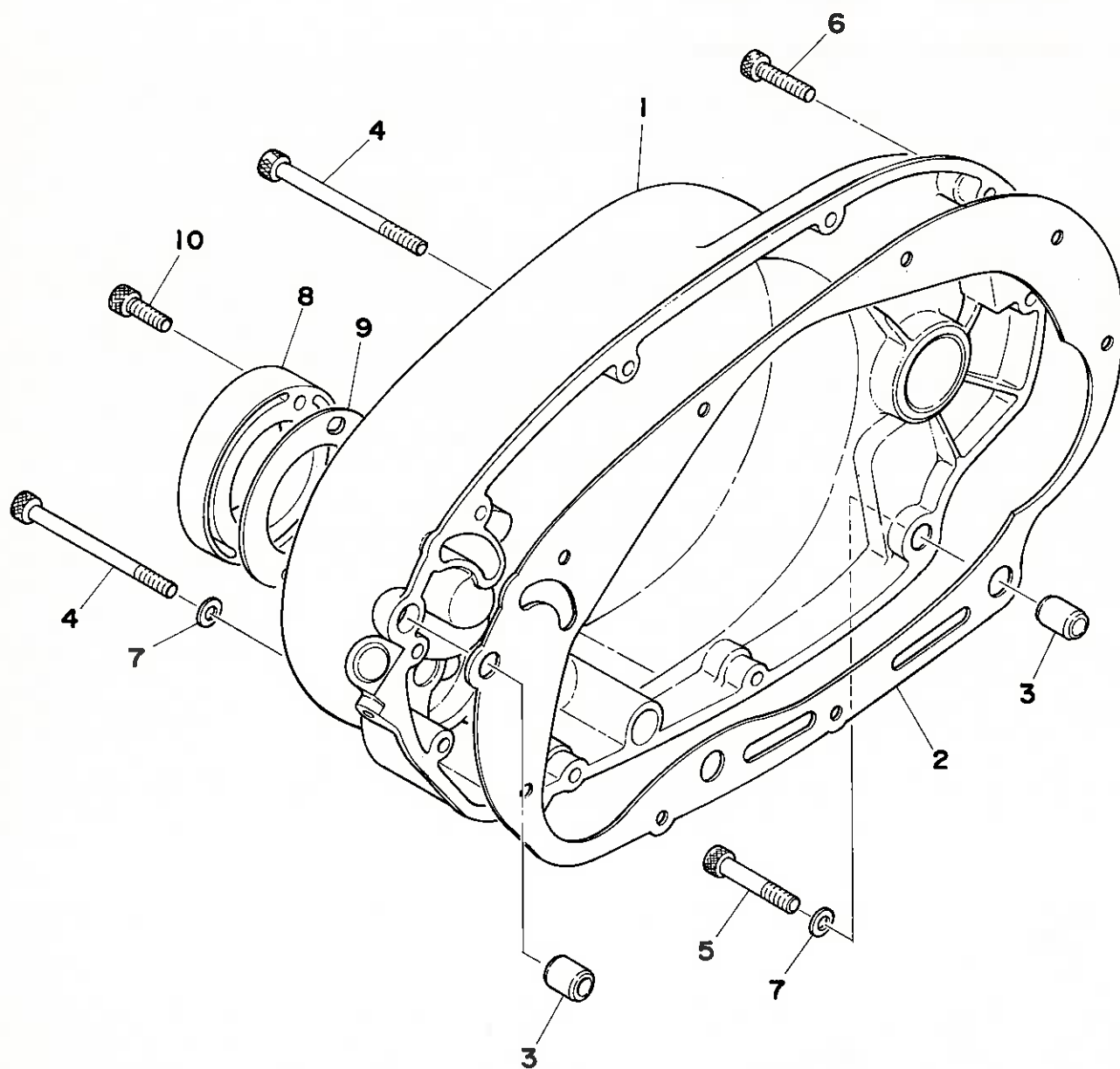
Ref. No.	Parts No.	Description	Q'ty	Applicable Machine No.	Remarks
16- 1	306-15100-03	CRANKCASE ASS'Y	1		
2	91810-05016	. PIN, dowel (8.4-12-16)	2		
3	93603-14026	PIN, dowel (3-14)	1		
4	90116-08196	BOLT, stud (256-15192-00)	2		M8-76L
5	90116-08198	BOLT, stud (256-15193-00)	4		M8-96L
6	90116-08197	BOLT, stud (256-15194-00)	1		M8-116L
7	90116-08199	BOLT, stud (256-15196-00)	3		M8-186L
8	92901-08200	WASHER, plain	8		
9	95301-08600	NUT, hexagon	8		
10	90116-08047	BOLT, stud (306-15192-00)	1		M8-54L
11	90116-08066	BOLT, stud (306-15193-00)	2		M8-103L
12	90116-08055	BOLT, stud (306-15197-00)	1		M8-68L
13	256-11198-00	GASKET	6		
14	90176-08019	NUT, cap	6		
15	97323-08075	BOLT	2		
16	97323-08055	BOLT	1		
17	97323-08090	BOLT	1		
18	92901-08200	WASHER, plain	4		
19	256-15395-00	GASKET, oil sealing	1		
20	256-15362-01	PLUG, oil level	1		
21	90430-29050	GASKET (256-15364-00)	1		
22	256-15351-00	PLUG, drain	1		
23	256-15353-00	GASKET, drain plug	1		

Fig. 17 CRANKCASE COVER LEFT



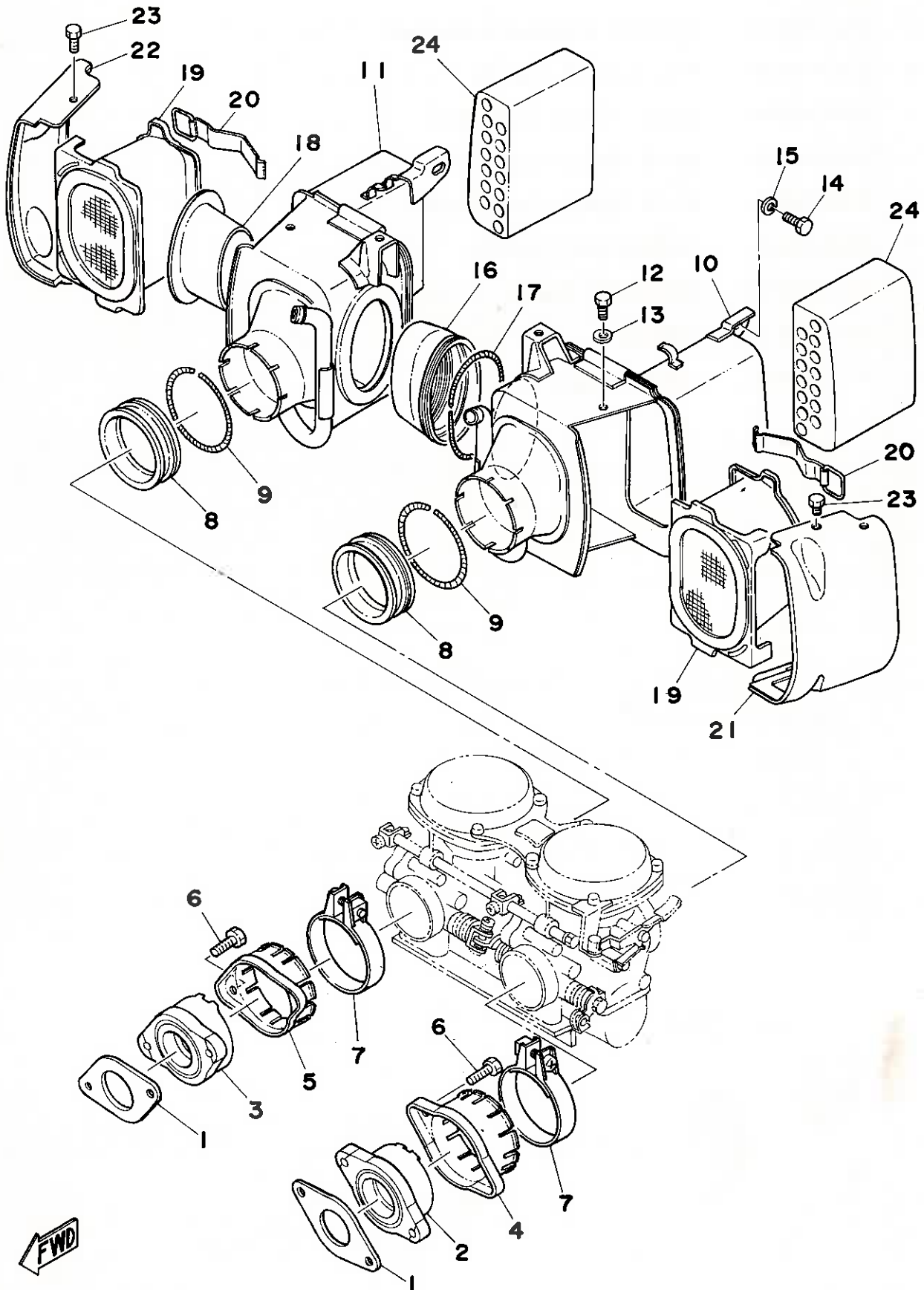
Ref. No.	Parts No.	Description	Q'ty	Applicable Machine No.	Remarks
17- 1	584-14511-00	COVER, crankcase left	1		
2	306-15461-00	GASKET, crankcase cover left	1		
3	91810-05016	PIN, dowel (8.4-12-16)	2		
4	91316-06025	BOLT, hexagon socket head	4		
5	91316-06040	BOLT, hexagon socket head	2		
6	256-15425-00	COVER, generator	1		
7	98503-05010	SCREW, panhead	2		
8	256-15417-01	COVER, adjust	1		

Fig. 18 CRANKCASE COVER RIGHT



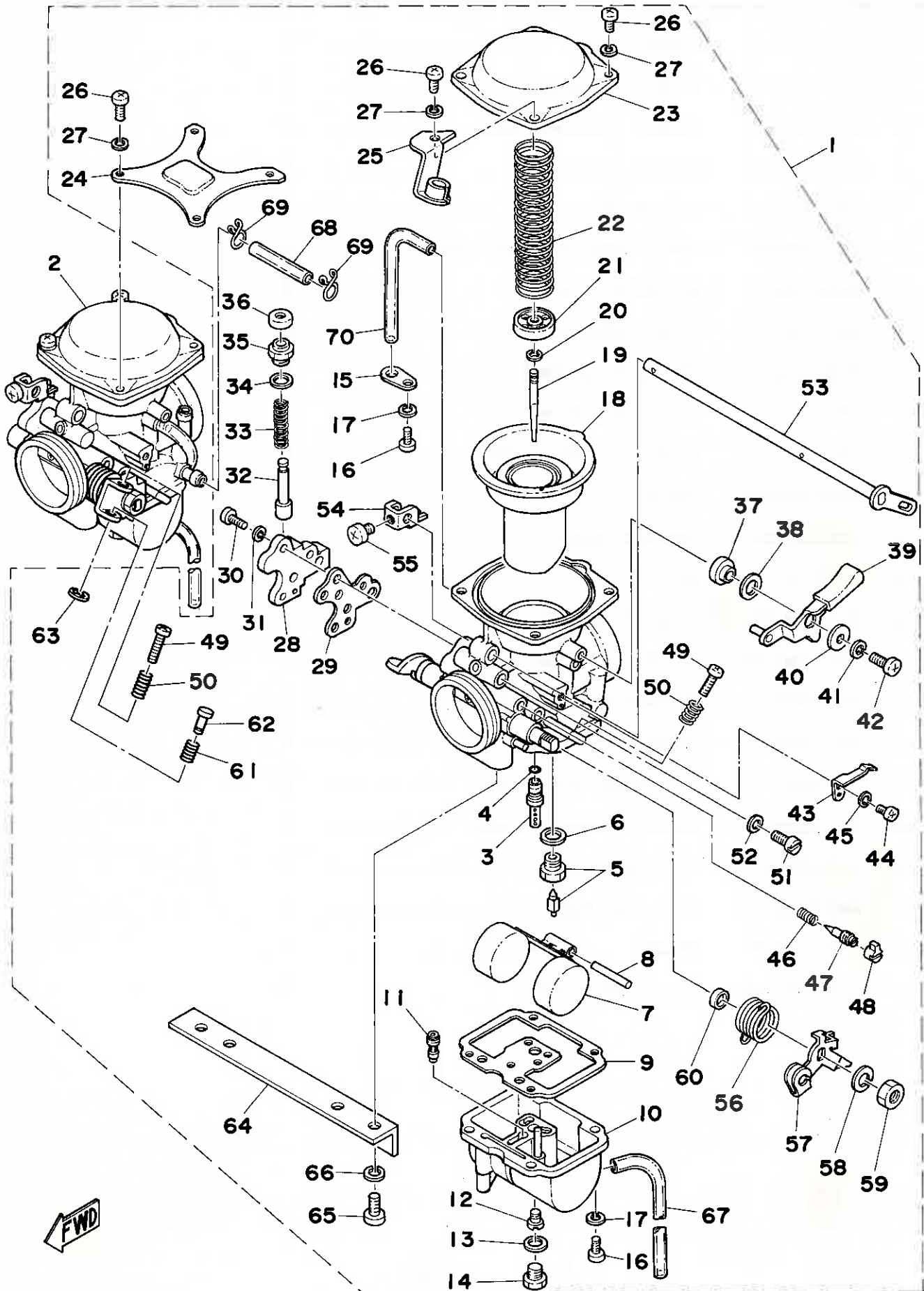
Ref. No.	Parts No.	Description	Q'ty	Applicable Machine No.	Remarks
18- 1	256-15421-03	COVER, crankcase right	1		
2	256-15451-00	GASKET, crankcase cover right	1		
3	91810-05016	PIN, dowel (8.4-12-16)	2		
4	91316-06075	BOLT, hexagon socket head	4		
5	91316-06040	BOLT, hexagon socket head	1		
6	91316-06025	BOLT, hexagon socket head	5		
7	90430-06014	GASKET (256-11396-00)	4		
8	256-15416-02	COVER, oil cleaner	1		
9	256-15456-00	GASKET	1		
10	91316-06025	BOLT, hexagon socket head	2		

Fig. 19 INTAKE



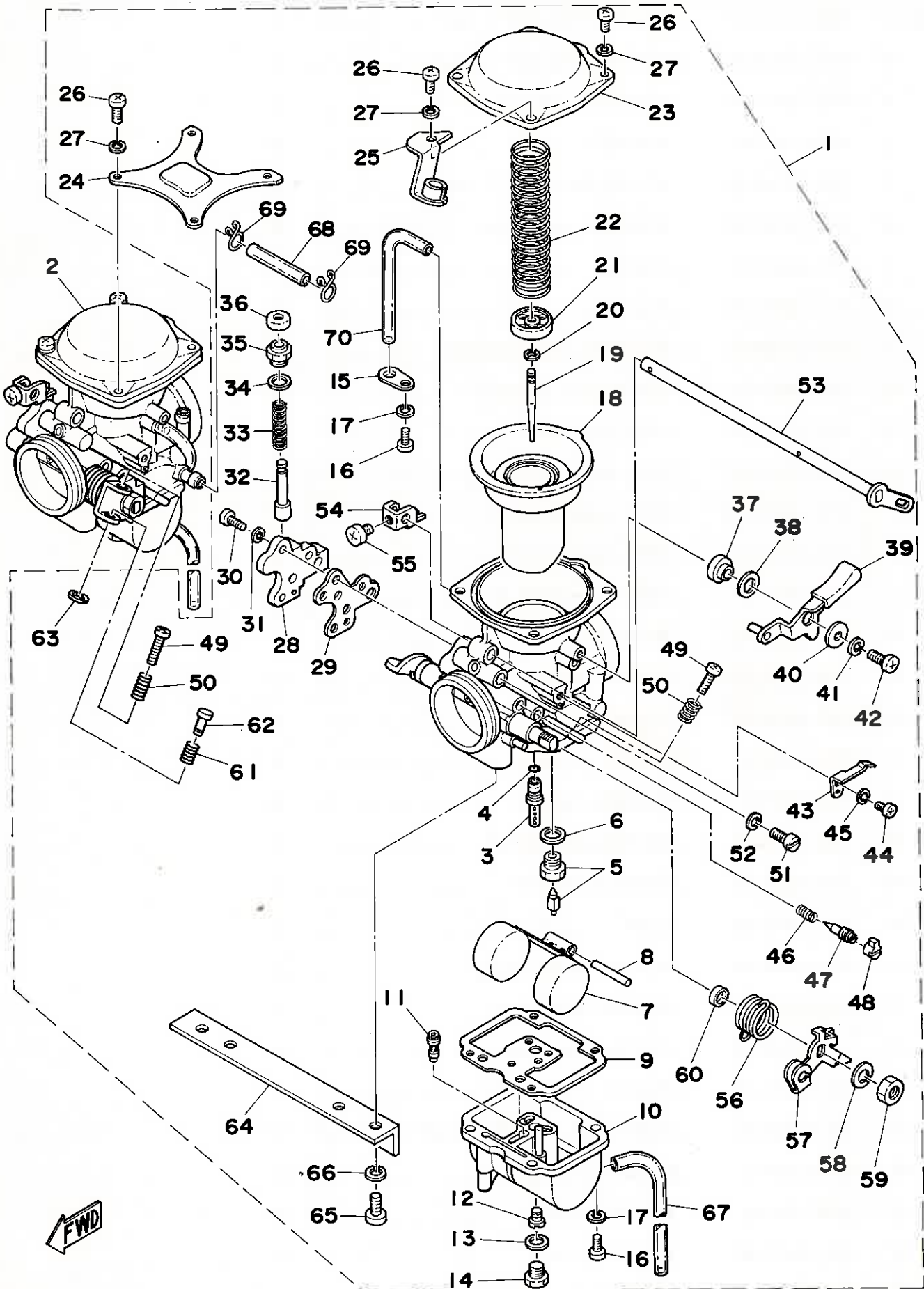
Ref. No.	Parts No.	Description	Qty	Applicable Machine No.	Remarks
19- 1	256-13556-00	GASKET, joint	2		
2	447-13555-01	JOINT, carburetor left	1		
3	447-13565-01	JOINT, carburetor right	1		
4	447-13564-00	COVER, joint left	1		
5	447-13584-00	COVER, joint right	1		
6	91316-06020	BOLT, hexagon socket head	4		
7	90460-58015	BAND (371-14456-00)	2		
8	341-14453-00	JOINT, cleaner	2		
9	90506-06006	SPRING (256-14487-00)	2		
10	584-14411-00	CASE, air cleaner left	1		
11	584-14421-00	CASE, air cleaner right	1		
12	97301-06015	BOLT	4		
13	92901-06200	WASHER, plain	4		
14	97301-06025	BOLT	2		
15	92901-06100	WASHER, spring	2		
16	447-14463-01	JOINT, air cleaner	1		
17	90506-06095	SPRING (288-14455-00)	1		
18	447-14454-00	JOINT	1		
19	533-14451-00	ELEMENT, air cleaner	2		
20	533-14468-02	SPRING, element fitting	2		
21	447-14412-01	CAP, case left	1		
22	447-14422-01	CAP, case right	1		
23	97301-06010	BOLT	2		
24	533-14441-00	SILENCER, intake	2		

Fig. 20 CARBURETOR



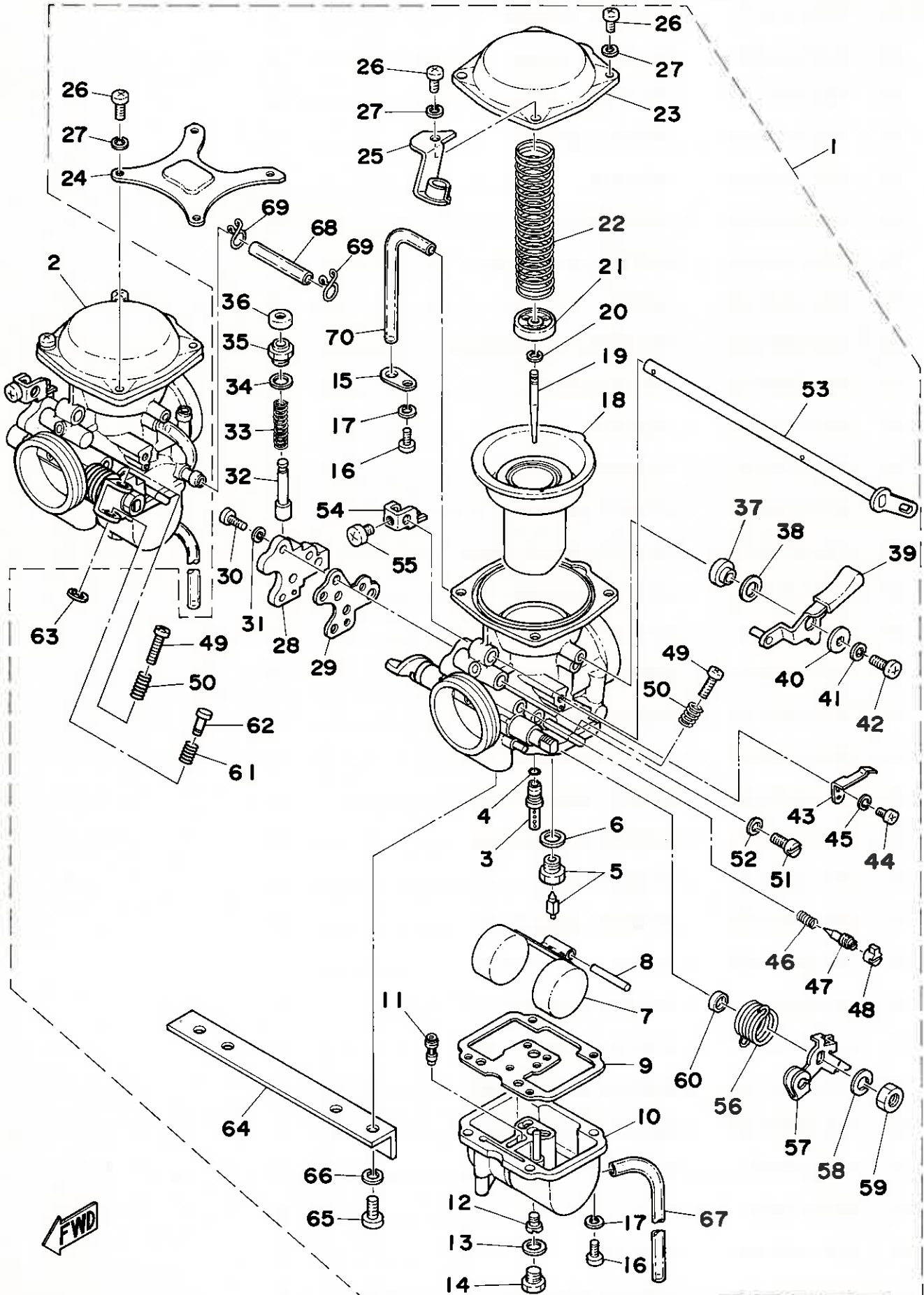
Ref. No.	Parts No.	Description	Q'ty	Applicable Machine No.	Remarks
20- 1	584-14901-00	CARBURETOR ASS'Y, left	1		
2	584-14902-00	CARBURETOR ASS'Y, right	1		
3	341-14941-88	. NOZZLE, main (Z-8)	2		
4	93210-03142	. O-RING	2		
5	168-14190-20	. VALVE SEAT ASS'Y (#20)	2		
6	214-14195-00	. WASHER, valve seat	2		
7	256-14985-00	. FLOAT	2		
8	127-14186-00	. PIN, float	2		
9	256-14984-00	. PACKING, float chamber	2		
10	584-14981-00	. BODY, float chamber	2		
11	584-14142-25	. JET, pilot (#25)	2		
12	256-14944-24	. JET, main (#120)	} U. R. 2		STD
	256-14944-75	. JET, main (#122.5)			
	256-14944-25	. JET, main (#125)			
	256-14944-76	. JET, main (#127.5)			
13	256-14956-01	. WASHER	2		
14	256-14991-00	. SCREW, plug	2		
15	256-14146-01	. PLATE	2		
16	98501-04012	. SCREW, panhead	8		
17	92901-04100	. WASHER, spring	8		
18	256-14940-01	. DIAPHRAGM ASS'Y	2		
19	584-14116-01	. NEEDLE (4M1-3)	2		
20	256-14919-00	. CLIP	2		
21	256-14946-00	. PLATE, needle fitting	2		
22	584-14933-00	. SPRING, diaphragm	2		
23	256-14958-00	. COVER, diaphragm	2		
24	584-14146-00	. PLATE	1		
25	447-14926-00	. THROTTLE BRACKET ASS'Y	1		
26	98501-05015	. SCREW, panhead	8		
27	92901-05100	. WASHER, spring	8		
28	584-14907-00	. BODY, starter	2		
29	447-14979-00	. GASKET, starter body	2		

Fig. 20 CARBURETOR



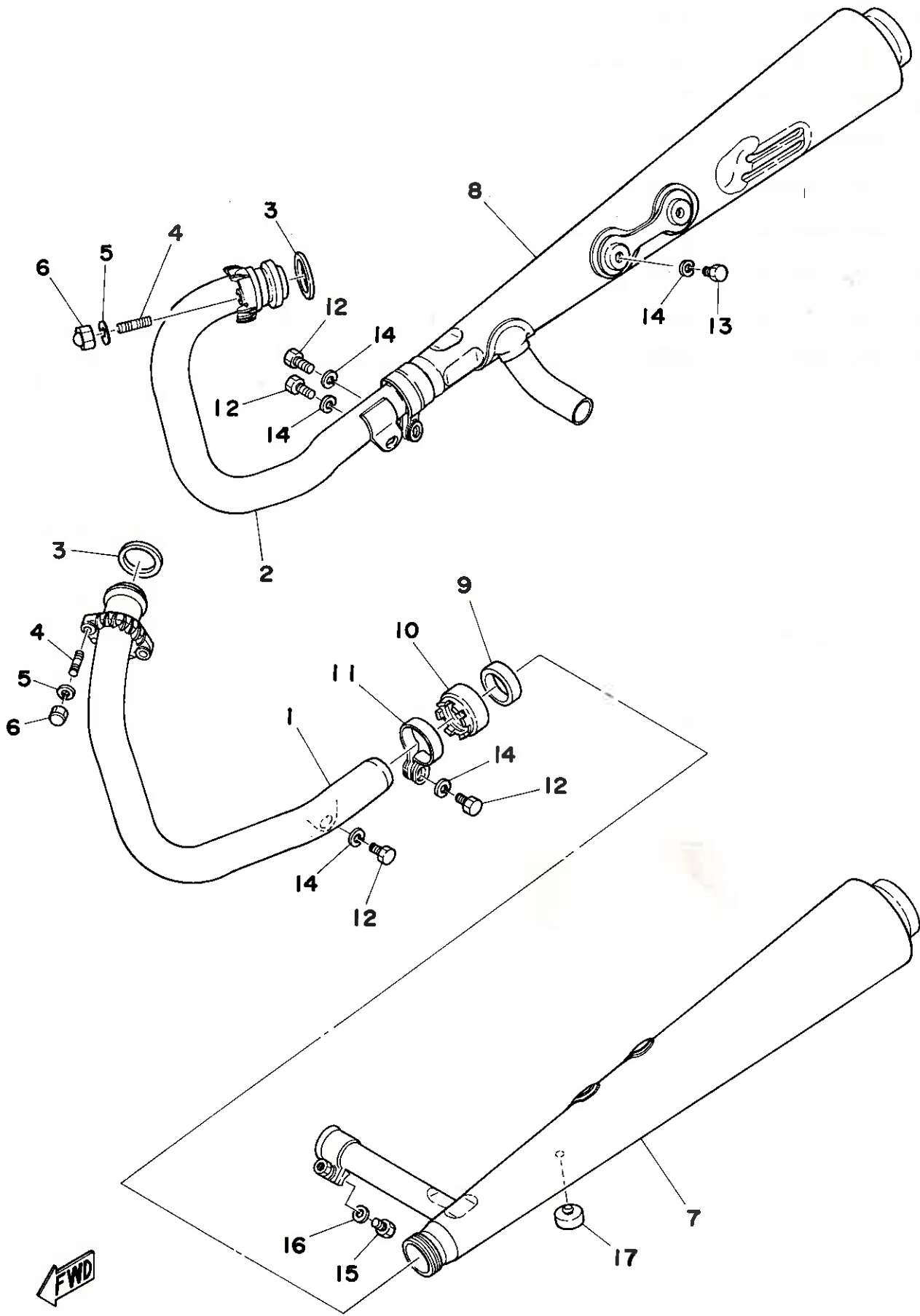
Ref. No.	Parts No.	Description	Q'ty	Applicable Machine No.	Remarks
20-30	98501-04012	. SCREW, panhead	6		
31	92901-04100	. WASHER, spring	6		
32	584-14171-00	. PLUNGER, starter	2		
33	256-14135-00	. SPRING, plunger	2		
34	256-14954-00	. WASHER	2		
35	584-14176-00	. CAP, plunger	2		
36	306-14173-00	. COVER, plunger cap	2		
37	256-14918-00	. RING	1		
38	584-14955-00	. WASHER, starter lever	1		
39	306-14905-02	. LEVER ASS'Y	1		
40	256-14952-00	. WASHER	1		
41	92901-04100	. WASHER, spring	1		
42	98501-04012	. SCREW, panhead	1		
43	584-14938-00	. SPRING, starter lever	1		
44	98501-04006	. SCREW, panhead	1		
45	92901-04100	. WASHER, spring	1		
46	127-14134-00	. SPRING, air adjusting	2		
47	584-14923-00	. SCREW, pilot	2		
48	584-14969-00	. CAP, pilot screw	2		
49	256-14922-01	. SCREW, throttle stop	3		
50	256-14934-01	. SPRING, throttle stop	3		
51	341-14991-00	. PLUG, screw	2		
52	584-14979-00	. WASHER, plug screw	2		
53	584-14977-00	. SHAFT, starter lever	1		
54	584-14905-00	. LEVER, starter 2	2		
55	584-14991-00	. SCREW, starter lever 2	2		
56	584-14931-00	. SPRING, throttle left	1		
57	306-14964-00	. LEVER, throttle left	1		
58	92902-08100	. WASHER, spring	2		
59	95301-12600	. NUT	2		
60	256-14997-00	. SEAL (8 ϕ)	1		
61	584-14934-00	. SPRING, adjusting	1		

Fig. 20 CARBURETOR



Ref. No.	Parts No.	Description	Q'ty	Applicable Machine No.	Remarks
20-62	584-14992-00	. ROD, push	1		
63	584-14937-00	. CLIP, push rod	1		
64	584-14243-00	. PLATE	1		
65	98501-06015	. SCREW, panhead	4		
66	92901-06100	. WASHER, spring	4		
67	256-14197-01	. PIPE	2		
68	306-14988-00	. PIPE	1		
69	341-14919-00	. CLIP	2		
70	256-14987-00	. PIPE	2		

Fig. 21 EXHAUST

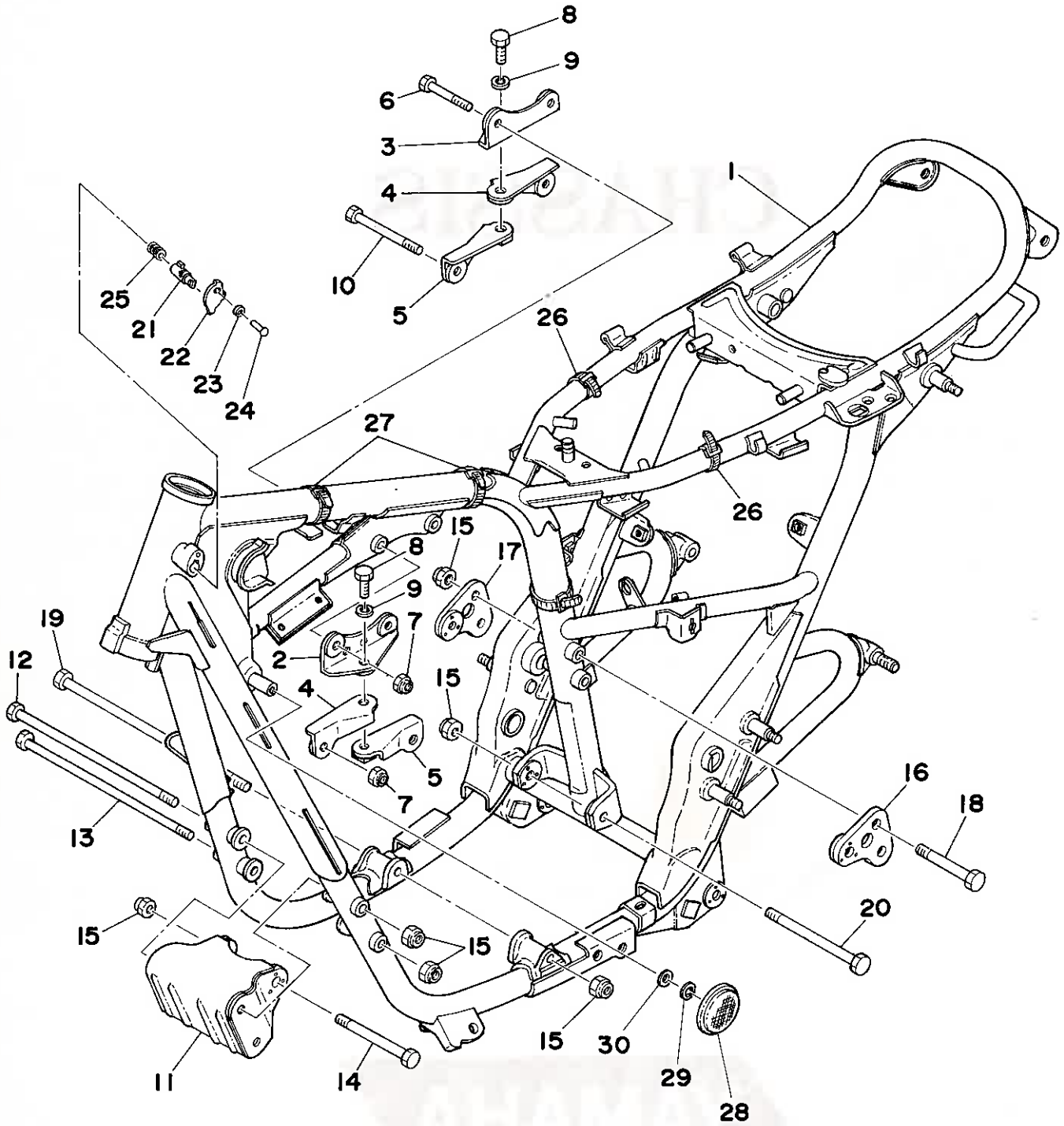


Ref. No.	Parts No.	Description	Q'ty	Applicable Machine No.	Remarks
21- 1	447-14611-02	PIPE, exhaust left	1		
2	447-14621-02	PIPE, exhaust right	1		
3	90430-38054	GASKET (256-14613-00)	2		
4	90116-10195	BOLT, stud (306-14651-00)	4		
5	92903-10100	WASHER, spring	4		
6	95303-10800	NUT, crown	4		
7	584-14711-00	MUFFLER, left	1		
8	584-14721-00	MUFFLER, right	1		
9	371-14714-03	GASKET, muffler joint	2		
10	371-14713-00	NUT, muffler joint	2		
11	90460-46057	BAND (447-14715-02)	2		
12	90105-10058	BOLT	4		
13	97301-10015	BOLT	4		
14	92901-10100	WASHER, spring	8		
15	97301-08025	BOLT	1		
16	90201-09116	WASHER, plate (806-77471-00)	1		
17	371-27114-00	STOPPER, main stand	1		

CHASSIS



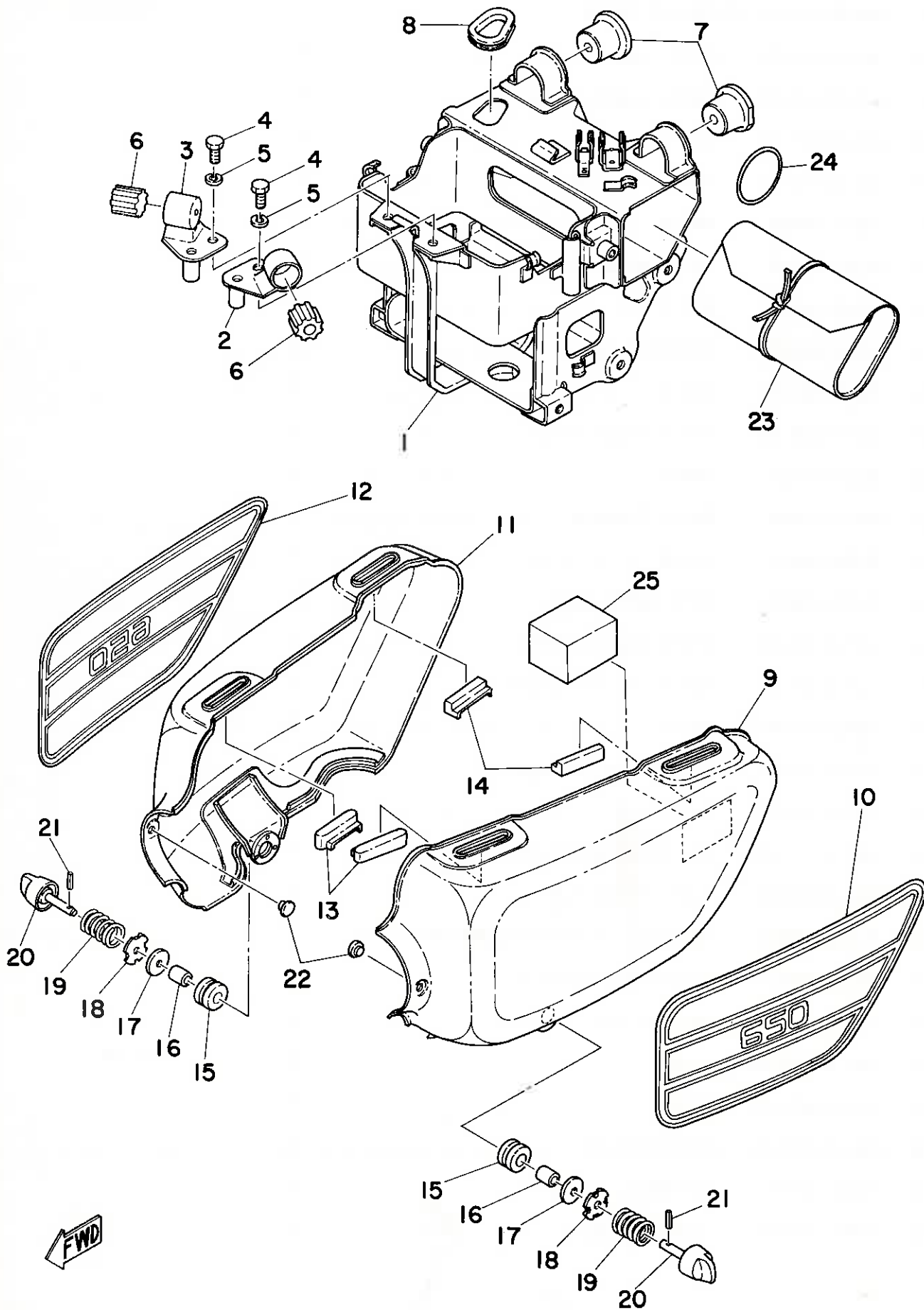
Fig. 22 FRAME



FWD

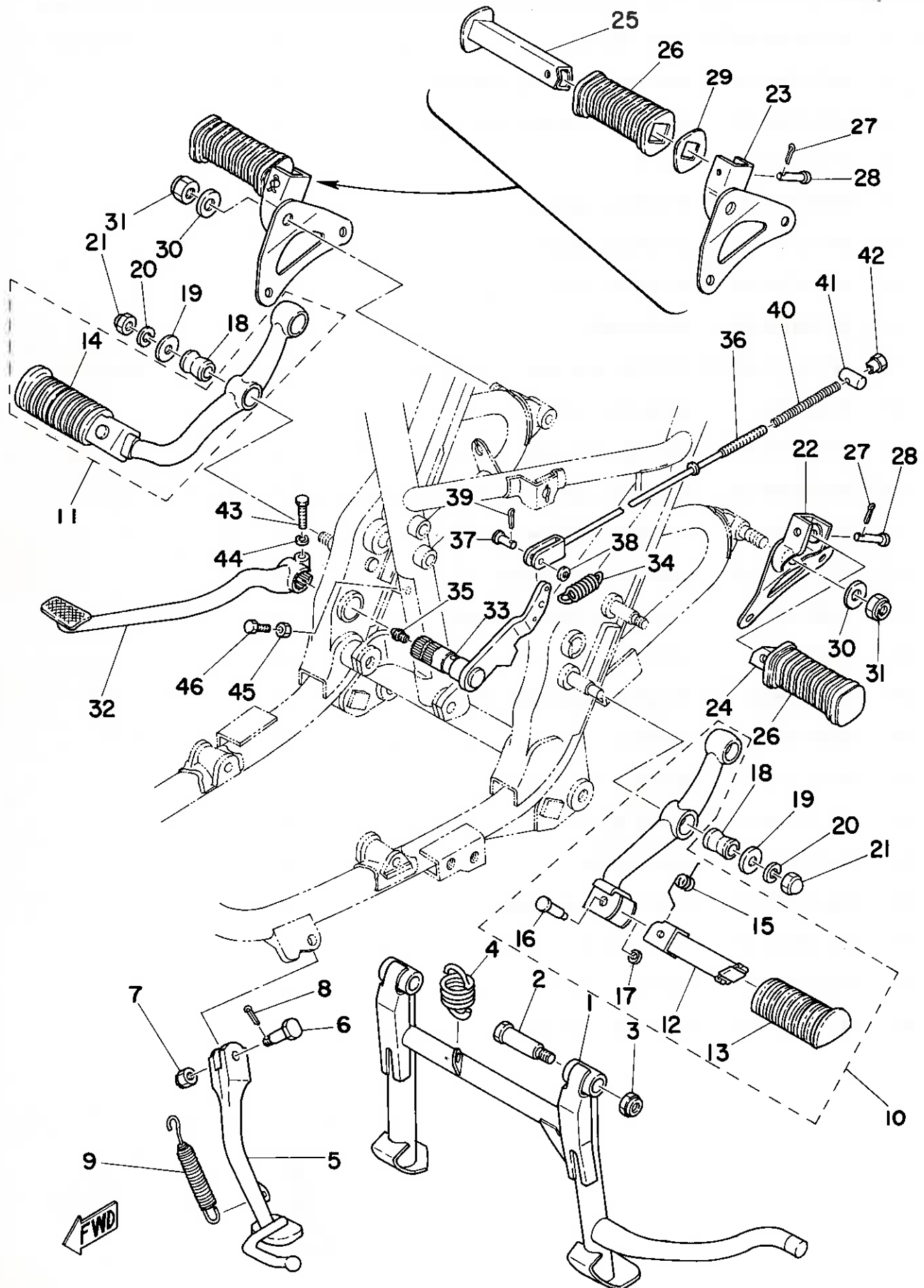
Ref. No.	Parts No.	Description	Q'ty	Applicable Machine No.	Remarks
22- 1	584-21110-00-33	FRAME COMP.	1		Yamaha Black
2	447-21314-00	STAY, engine 1 (left)	1		
3	447-21315-00	STAY, engine 2 (right)	1		
4	256-21317-01	STAY, engine 4	2		
5	256-21316-01	STAY, engine 3	2		
6	95821-08055	BOLT	2		
7	90185-08054	NUT, self locking	4		
8	95821-10025	BOLT	2		
9	92901-10100	WASHER, spring	2		
10	95821-08090	BOLT	2		
11	447-21318-00	STAY, engine front	1		
12	90105-10043	BOLT	1		
13	90105-10044	BOLT, hexagon	1		
14	90105-10039	BOLT	1		
15	90185-10035	NUT, self locking	8		
16	447-21319-00	STAY, engine 6 (left)	1		
17	447-21387-00	STAY, engine 7 (right)	1		
18	95821-10070	BOLT	3		
19	90109-10388	BOLT, round hexagon	1		
20	90105-10041	BOLT	1		
21	584-23408-00	STEERING LOCK ASS'Y	1		
22	584-23484-00	CAP, handle lock	1		
23	90206-04003	WASHER, wave (214-23488-00)	1		
24	90269-04003	RIVET (214-23483-00)	1		
25	90502-08005	SPRING (214-23485-00)	1		
26	447-82591-00	BAND	2		ℓ = 105
27	435-13474-00	BAND	2		
28	341-85111-00	REFLECTOR	2		
29	92901-05100	WASHER, spring	2		
30	92901-05200	WASHER, plain	2		

Fig. 23 BOX · SIDE COVER



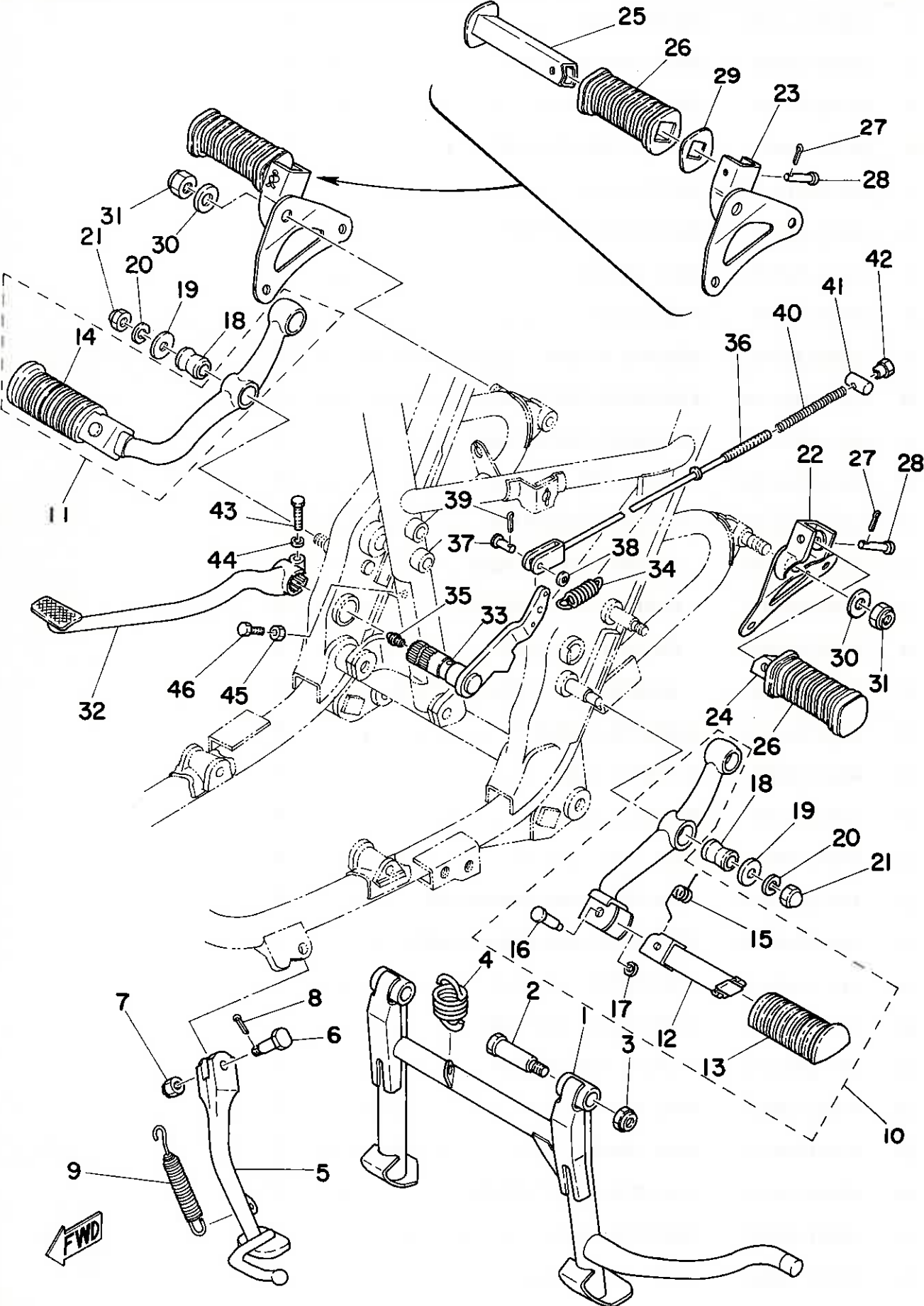
Ref. No.	Parts No.	Description	Q'ty	Applicable Machine No.	Remarks
23- 1	447-21170-02-33	BOX, battery	1		Yamaha Black
2	447-21149-00	BRACKET, battery box left	1		
3	447-21344-00	BRACKET, battery box right	1		
4	97301-06015	BOLT	2		
5	92901-06100	WASHER, spring	2		
6	256-21729-00	DAMPER, front	2		
7	256-21747-00	DAMPER, rear	2		
8	447-82128-00	GROMMET	1		
9	447-21711-01-G3	COVER, side left	1		French Blue
10	584-21784-10	EMBLEM, side cover left	1		
11	447-21721-01-G3	COVER, side right	1		French Blue
12	584-21786-10	EMBLEM, side cover right	1		
13	447-21717-00	DAMPER, side cover	2		
14	447-21747-00	DAMPER, side cover	2		
15	90480-14102	GROMMET (214-21717-00)	2		
16	90387-07390	COLLAR	2		
17	90201-06063	WASHER, plate (810-77318-00)	2		
18	90209-06044	WASHER, special	2		
19	90501-18205	SPRING, side cover	2		
20	447-21714-01	KNOB, side cover	2		
21	91609-25015	PIN, spring	2		
22	256-21717-00	DAMPER, side cover	2		
23	447-28100-12	TOOL ASS'Y	1		
24	93210-40040	O-RING (3-39.5)	1		
25	447-21746-00	DAMPER, tool box	1		

Fig. 24 STAND · FOOTREST · BRAKE PEDAL



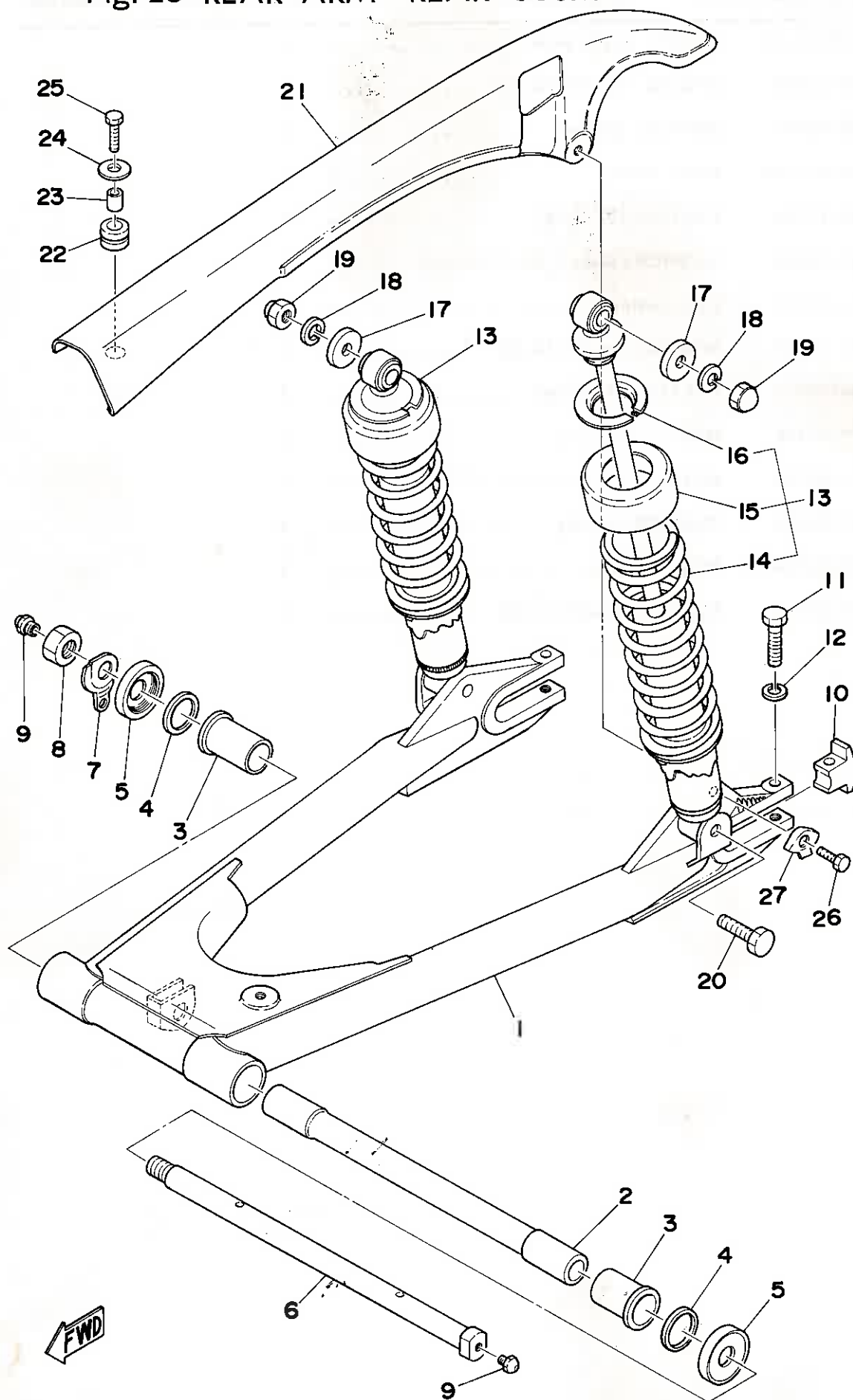
Ref. No.	Parts No.	Description	Q'ty	Applicable Machine No.	Remarks
24- 1	584-27111-00	STAND, main	1		
2	90109-10268	BOLT (447-27112-00)	2		
3	90185-10035	NUT, self locking	2		
4	90506-50064	SPRING (256-27116-00)	1		
5	584-27311-00	STAND, side	1		
6	90109-08185	BOLT (156-27317-00)	1		
7	95301-08900	NUT, slotted	1		
8	91401-20018	PIN, cotter	1		
9	90507-29009	SPRING, tension	1		
10	447-27410-00	FOOTREST ASS'Y, left	1		
11	447-27420-00	FOOTREST ASS'Y, right	1		
12	341-27451-00	. FOOTREST 3	2		
13	341-27423-00	. COVER, footrest left	1		
14	341-27413-00	. COVER, footrest right	1		
15	90508-20023	. SPRING (214-27426-00)	2		
16	90243-08006	. PIN (214-27418-00)	2		
17	90201-06042	. WASHER, plate (214-27417-00)	2		
18	256-27414-00	DAMPER, rubber 1	4		
19	90201-10437	WASHER, plate	4		
20	92901-10100	WASHER, spring	4		
21	90176-10013	NUT, cap	4		
22	584-27432-00	BRACKET, rear footrest left	1		
23	584-27442-00	BRACKET, rear footrest right	1		
24	447-27431-00	FOOTREST, rear left	1		
25	447-27441-00	FOOTREST, rear right	1		
26	447-27433-00	COVER, rear footrest	2		
27	91401-16012	PIN, cotter	2		
28	91501-06035	PIN, clevis	2		
29	90209-18070	WASHER (447-27437-00)	2		
30	90201-13502	WASHER, plate	2		
31	90185-12046	NUT, self locking	2		
32	533-27211-00-93	PEDAL, brake	1		

Fig. 24 STAND · FOOTREST · BRAKE PEDAL



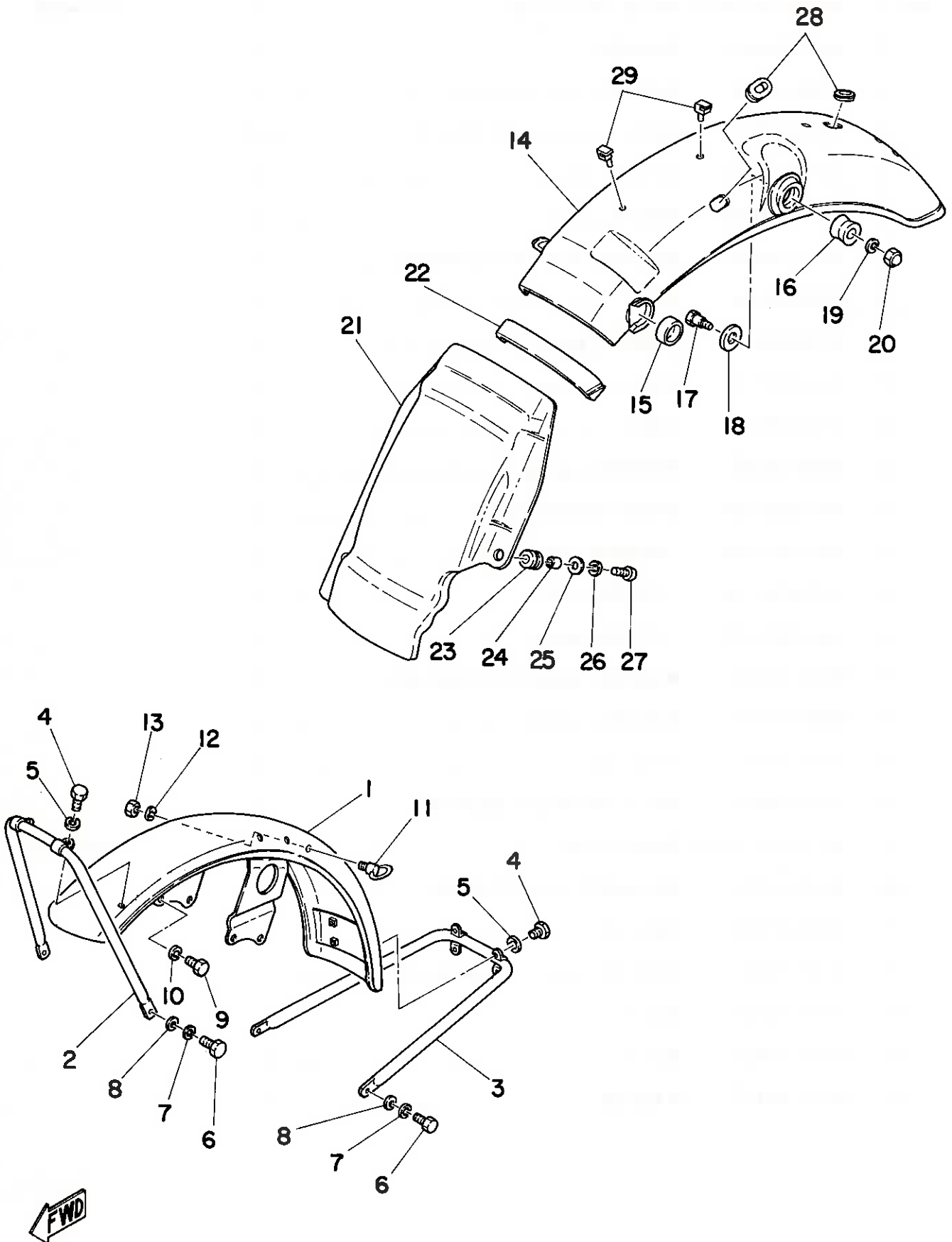
Ref. No.	Parts No.	Description	Q'ty	Applicable Machine No.	Remarks
24-33	533-27212-00	SHAFT, brake pedal	1		
34	90506-23046	SPRING (341-27216-00)	1		
35	93700-06001	NIPPLE, grease	1		
36	447-27231-02	ROD, brake	1		
37	90249-12008	PIN (156-27237-00)	1		
38	90201-08083	WASHER, plate (156-27226-00)	1		
39	91401-20012	PIN, cotter	1		
40	90501-10245	SPRING (180-27236-00)	1		
41	90240-08012	PIN (156-27229-00)	1		
42	90179-06176	NUT	1		
43	97323-06025	BOLT	1		
44	92903-06100	WASHER, spring	1		
45	90170-06184	NUT, hexagon	1		
46	90153-06008	SCREW (341-27217-00)	1		

Fig. 25 REAR ARM · REAR CUSHION · CHAIN CASE



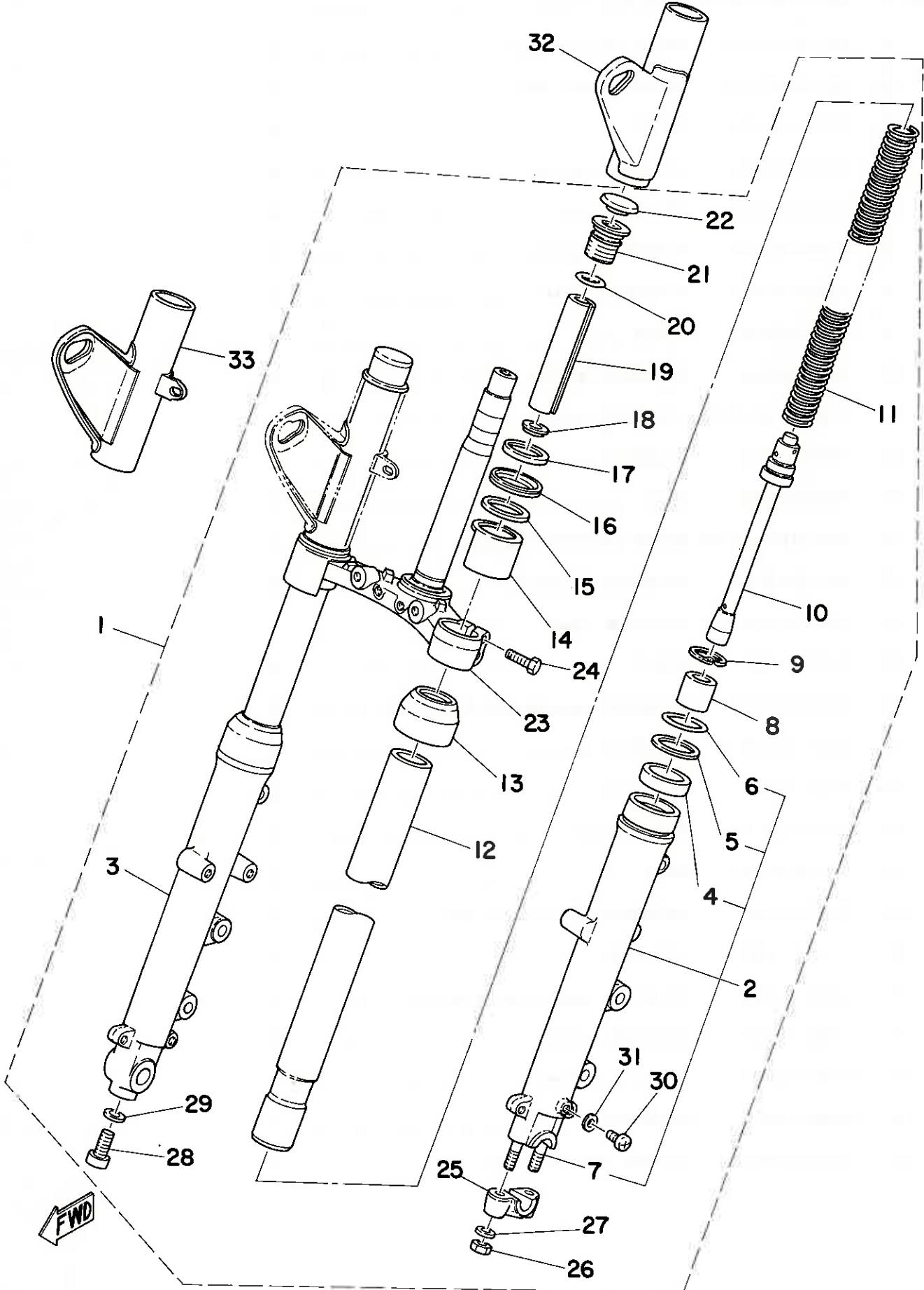
Ref. No.	Parts No.	Description	Q'ty	Applicable Machine No.	Remarks
25- 1	447-22110-00-33	REAR ARM COMP.	1		Yamaha Black
2	447-22184-00	BUSHING	1		
3	90386-22029	BUSHING (256-22123-01)	2		
4	240-22127-00	SHIM, rear arm (26-34-0.3)	U.R		
5	447-22128-00	COVER, thrust	2		
6	447-22141-00	SHAFT, pivot	1		
7	90215-14055	WASHER, lock (447-22149-00)	1		
8	90170-14174	NUT	1		
9	93700-06001	NIPPLE, grese	2		
10	341-22177-00	END, rear arm	2		
11	97301-08040	BOLT	2		
12	92901-08100	WASHER, spring	2		
13	584-22210-20	REAR CUSHION ASS'Y	2		
14	447-22212-20	. SPRING, rear cushion	2		
15	447-22211-20	. COVER, outer	2		
16	341-22213-20	. GUIDE, spring	2		
17	90201-10142	WASHER, plate (341-22243-00)	2		
18	92903-10100	WASHER, spring	2		
19	90176-10013	NUT, cap	2		
20	90106-10025	BOLT, round (214-22241-00)	2		
21	447-22311-02-98	CHAIN CASE	1		Frosting Black
22	90480-14102	GROMMET (214-21717-00)	1		
23	90387-07390	COLLAR	1		
24	90201-06066	WASHER, plate (101-28323-00)	1		
25	97301-06025	BOLT	1		
26	97303-06020	BOLT	1		
27	90215-06117	WASHER	1		

Fig. 26 FRONT FENDER - REAR FENDER



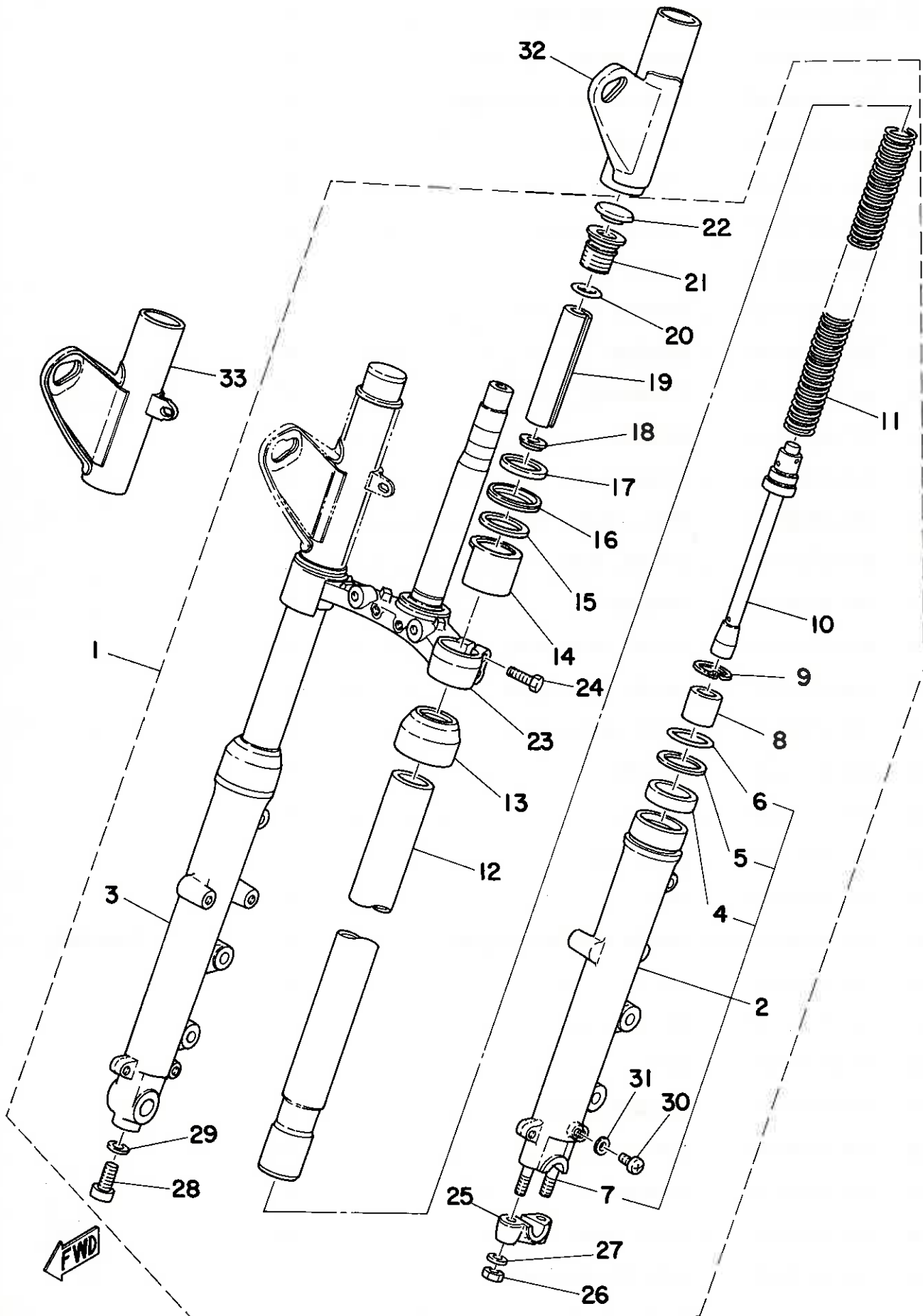
Ref. No.	Parts No.	Description	Q'ty	Applicable Machine No.	Remarks
26- 1	447-21511-00-93	FENDER, front	1		
2	341-21513-01	STAY, fender front	1		
3	341-21514-01	STAY, fender rear	1		
4	97323-06012	BOLT	6		
5	92903-06100	WASHER, spring	6		
6	97323-06018	BOLT	4		
7	92903-06100	WASHER, spring	4		
8	92903-06600	WASHER, plate	4		
9	97301-08020	BOLT	4		
10	92901-08100	WASHER, spring	4		
11	174-21518-00-93	HOLDER, wire	1		
12	92901-06100	WASHER, spring	1		
13	95301-06600	NUT	1		
14	447-21610-02-93	REAR FENDER COMP.	1		
15	447-21638-00	DAMPER, locating 1	2		
16	168-21639-00	DAMPER, rear	2		
17	90109-10349	BOLT	2		
18	90201-15239	WASHER, special (168-21615-00)	2		
19	92903-10100	WASHER, spring	2		
20	90176-10013	NUT, cap	2		
21	447-21629-01	MUD GUARD	1		
22	447-21268-01	SEAL	1		
23	90480-14102	GROMMET (214-21717-00)	3		
24	90387-07390	COLLAR	3		
25	90201-06067	WASHER, plate (116-28324-00)	3		
26	92901-06100	WASHER, spring	3		
27	92501-06025	SCREW, panhead	3		
28	90480-15061	GROMMET	2		
29	90464-04014	CLAMP (341-21637-00)	2		

Fig. 27 FRONT FORK



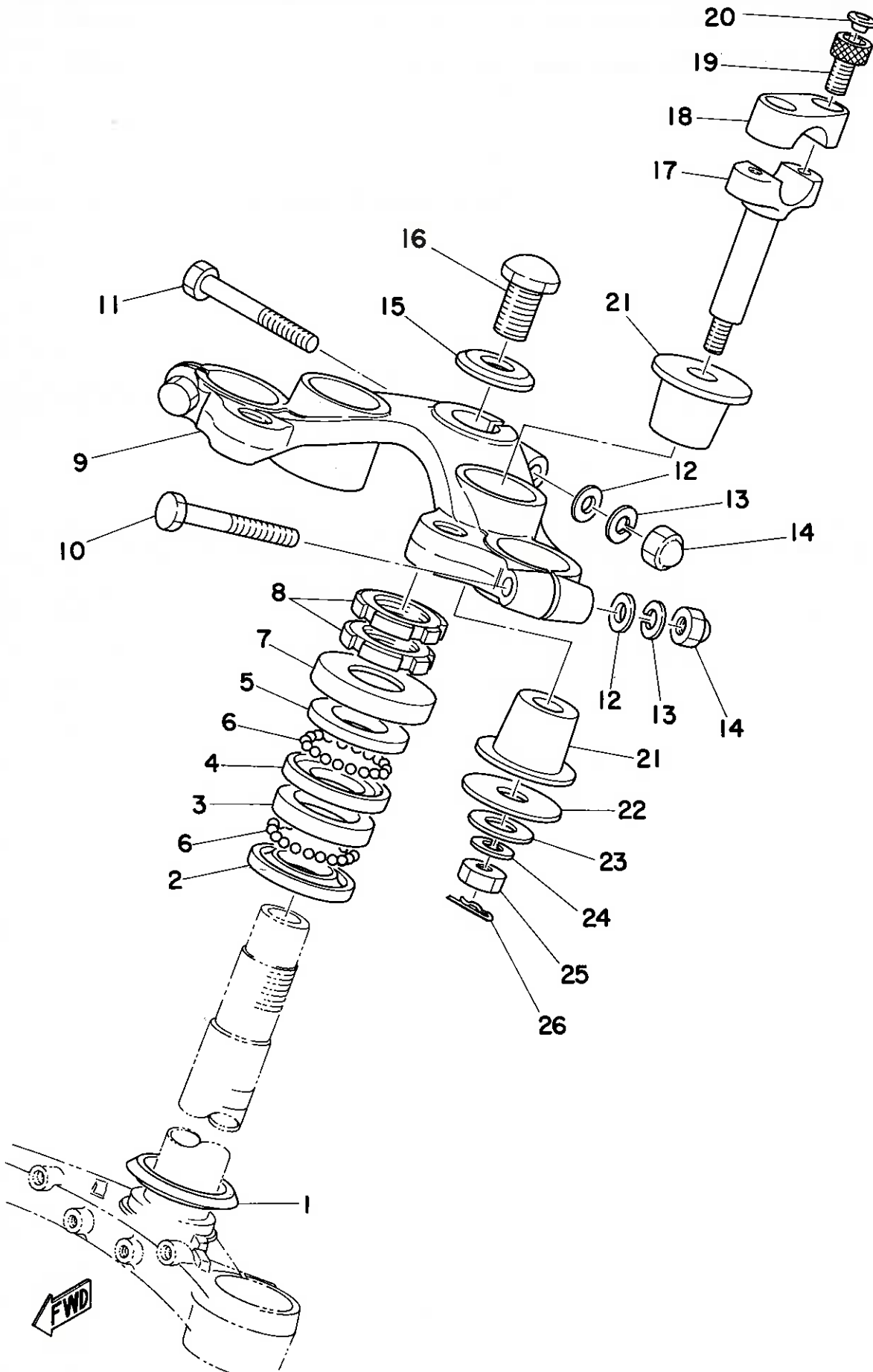
Ref. No.	Parts No.	Description	Q'ty	Applicable Machine No.	Remarks
27- 1	584-23101-51	FRONT FORK ASS'Y	1		
2	584-23126-50	. FORK TUBE, outer left	1		
3	584-23136-50	. FORK TUBE, outer right	1		
4	278-23145-51	. . OIL SEAL	2		
5	214-23146-00	. . WASHER, oil seal	2		
6	214-23156-00	. . CLIP, oil seal	2		
7	278-23128-50	. . BOLT	2		
8	371-23171-60	. PISTON, front fork	2		
9	371-23156-60	. CIRCLIP	2		
10	447-23170-51	. CYLINDER, front fork	1		
11	447-23141-51	. SPRING	2		
12	533-23124-31	. TUBE, inner	2		
13	584-23144-50	. SEAL, dust	2		
14	447-23122-52	. COVER, outer	2		
15	291-23163-61	. GASKET	2		
16	447-23116-52	. GUIDE, cover under	2		
17	168-23115-00	. GUIDE, cover upper	2		
18	304-23142-50	. SEAT, spring upper	2		
19	306-23118-60	. SPACER	2		
20	214-23114-00	. O-RING	2		
21	341-23111-51	. BOLT, cap	2		
22	371-23168-60	. CAP	2		
23	533-23340-00-33	. UNDER BRACKET COMP.	1		Yamaha Black
24	90119-08012	. BOLT	4		
25	341-23167-50	. HOLDER, axle	1		
26	90185-08054	. NUT	2		
27	90201-08544	. WASHER, plate	2		
28	278-23181-50	. BOLT	2		
29	278-23158-50	. GASKET	2		
30	122-23119-01	. PLUG, drain	2		
31	122-23129-00	. GASKET, drain plug	2		

Fig. 27 FRONT FORK



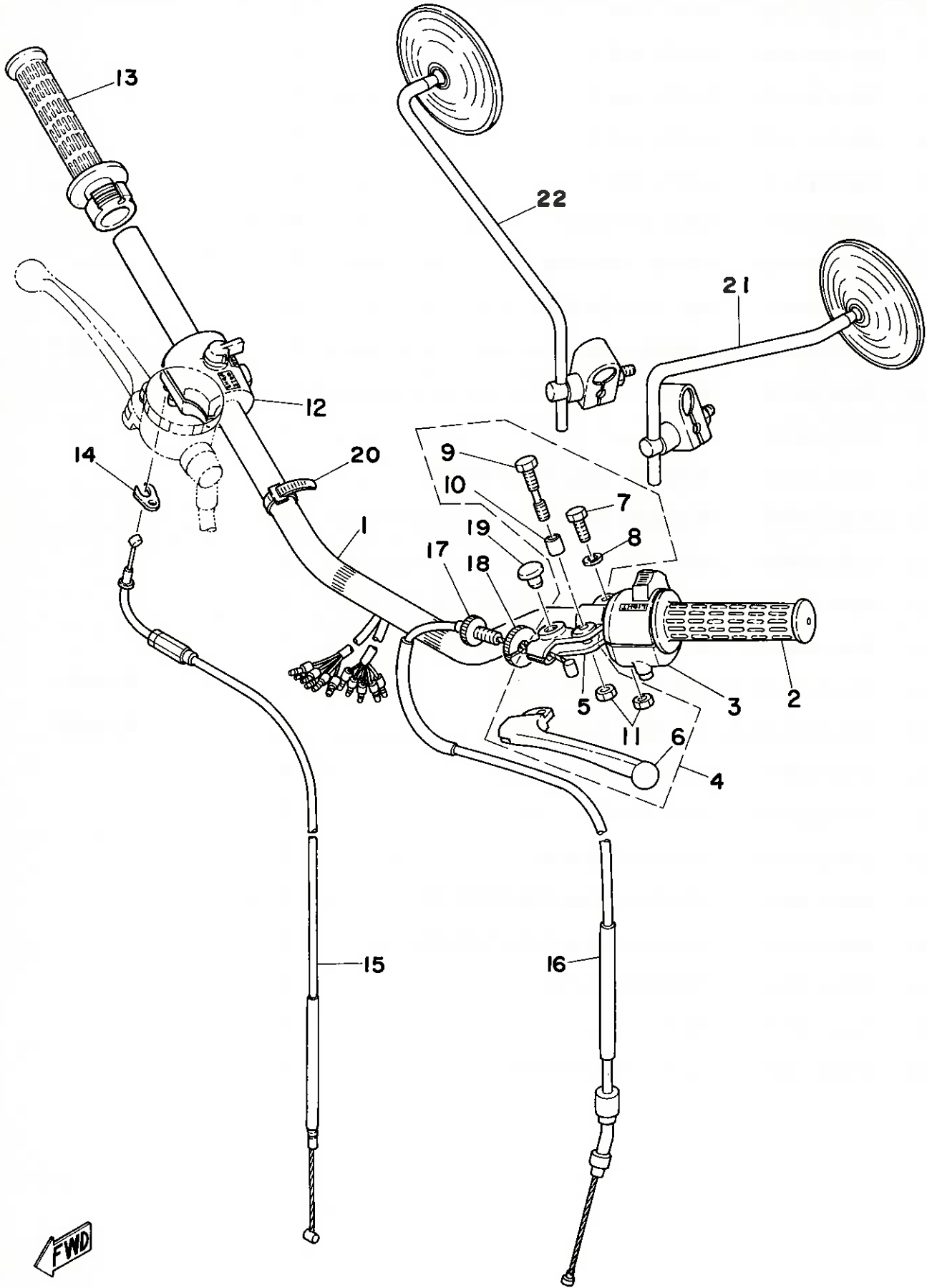
Ref. No.	Parts No.	Description	Q'ty	Applicable Machine No.	Remarks
27-32	447-23121-51-G3 COVER, upper left	1		French Blue
33	447-23131-51-G3 COVER, upper right	1		French Blue

Fig. 28 STEERING



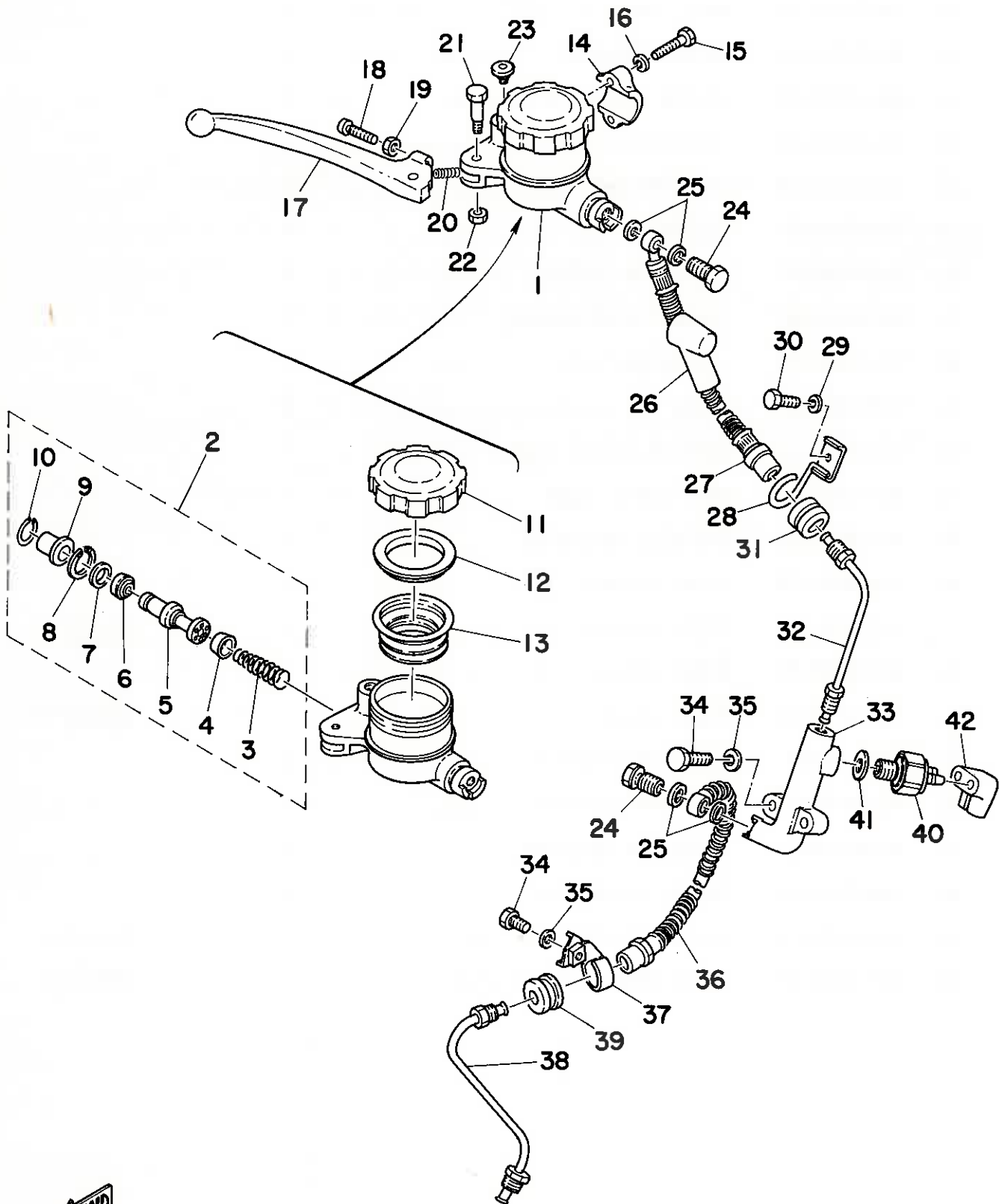
Ref. No.	Parts No.	Description	Q'ty	Applicable Machine No.	Remarks
28- 1	164-23462-00	SEAL, dust	1		
2	256-23411-00	RACE, ball 1	1		
3	256-23412-00	RACE, ball 2	1		
4	256-23413-00	RACE, ball 3	1		
5	256-23414-00	RACE, ball 4	1		
6	93501-04011	BALL (1/4 inch)	38		
7	136-23415-00	COVER, ball race	1		
8	90179-25033	NUT (137-23454-00)	2		
9	584-23435-00-98	CROWN, handle	1		Frosting Black
10	97323-08050	BOLT	2		
11	97323-08065	BOLT	1		
12	90201-08083	WASHER, plate (156-27226-00)	3		
13	92903-08100	WASHER, spring	3		
14	95303-08800	NUT, cap	3		
15	90209-14023	WASHER (341-23443-00)	1		
16	90106-14017	BOLT, round (341-23451-00)	1		
17	256-23442-00-98	HOLDER, handle under	2		Frosting Black
18	360-23441-00-98	HOLDER, handle upper	2		Frosting Black
19	90110-08010	BOLT, fitting	4		
20	341-23469-00	CAP, bolt	4		
21	256-23434-01	RUBBER, bushing	4		
22	90201-12196	WASHER, plate (256-92392-70)	2		
23	90201-10149	WASHER, plate (256-23444-00)	2		
24	92901-10100	WASHER, spring	2		
25	95301-10700	NUT	2		
26	90468-12006	CLIP (136-25375-00)	2		

Fig. 29 HANDLE · WIRE



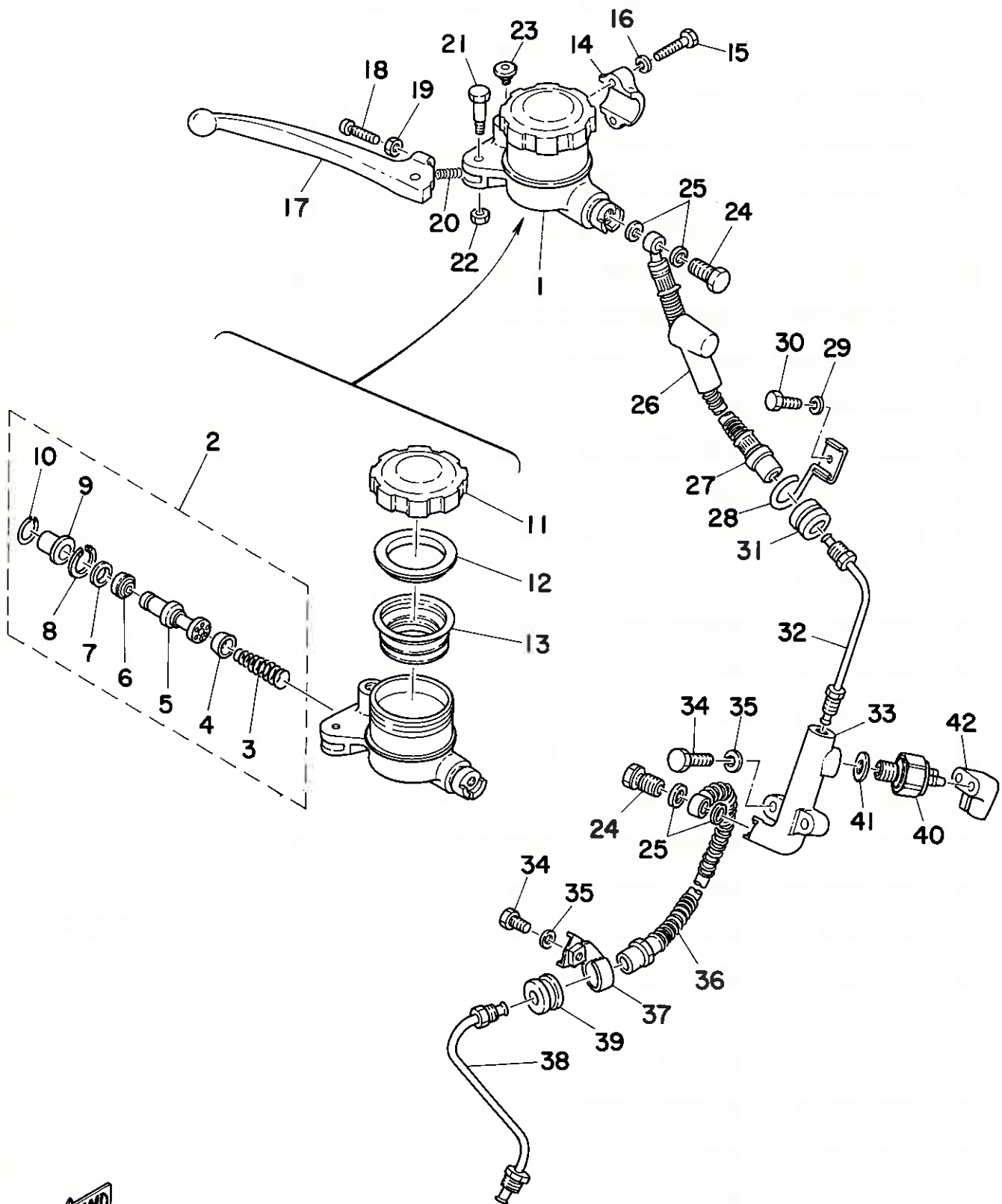
Ref. No.	Parts No.	Description	Q'ty	Applicable Machine No.	Remarks
29- 1	584-26111-00-93	HANDLE	1		
	533-26111-21	HANDLE	1		Alternate Parts Bar Handle
2	341-26241-20	GRIP, left	1		
3	584-83973-00	SWITCH, handle 3	1		
4	447-82910-00	LEVER HOLDER ASS'Y, left	1		
5	341-82911-00	. HOLDER, lever left	1		
6	214-83912-00	. LEVER, left	1		
7	97303-06020	. BOLT	1		
8	92903-06100	. WASHER, spring	1		
9	90109-06103	. BOLT (306-83925-00)	1		
10	214-83913-00	. COLLAR, lever	1		
11	95301-06700	. NUT	2		
12	584-83963-00	SWITCH, handle 3 right	1		
13	584-26240-20	GRIP ASS'Y, right	1		
14	584-26293-01	HOLDER, wire guide	1		
15	584-26311-00	WIRE, throttle	1		
	584-26311-20	WIRE, throttle	1		Alternate Parts Bar Handle
16	447-26335-00	WIRE, clutch	1		
	533-26335-20	WIRE, clutch	1		Alternate Parts Bar Handle
17	90123-08053	BOLT (214-26337-01)	1		
18	90179-08041	NUT (256-26344-00)	1		
19	90338-09012	PLUG (341-26329-00)	1		
20	168-83936-01	BAND, switch cord	2		
21	256-26290-10	BACK MIRROR ASS'Y, left	1		Convex Mirror
22	256-26290-00	BACK MIRROR ASS'Y, right	1		Optional Parts Convex Mirror

Fig. 30 MASTER CYLINDER · BRAKE HOSE



Ref. No.	Parts No.	Description	Q'ty	Applicable Machine No.	Remarks
30- 1	341-25850-30	MASTER CYLINDER ASS'Y	} U.R. 1		Niishin
	360-25850-31	MASTER CYLINDER ASS'Y			Aishin (ASCO)
2	341-20000-10	. CYLINDER KIT, master (No. 3 ~ 10)	} U.R. 1		
	360-20000-10	. CYLINDER KIT, master (No. 3 ~ 10)			
11	341-25852-30	. CAP, reservoir	} U.R. 1		
	360-25852-30	. CAP, reservoir			
12	341-25855-30	. BUSHING, diaphragm	} U.R. 1		
	360-25855-01	. BUSHING, diaphragm			
13	341-25854-00	. DIAPHRAGM, reservoir	} U.R. 1		
	360-25854-00	. DIAPHRAGM, reservoir			
14	341-25867-00	BRACKET, master	1		
15	97321-06025	BOLT	2		
16	92901-06100	WASHER, spring	2		
17	360-83922-01	LEVER, right	1		
18	90146-06005	SCREW (306-83928-01)	1		
19	90170-06010	NUT (306-83927-00)	1		
20	90501-10312	SPRING (306-83924-00)	1		
21	341-83925-00	BOLT	1		
22	95301-06700	NUT	1		
23	90338-09012	PLUG, blind (341-26329-00)	2		
24	90401-10034	BOLT, union	2		
25	90201-10118	WASHER, plate (306-25878-00)	4		
26	306-25862-00	BOOT, master cylinder	1		
	341-25862-20	BOOT, master cylinder	1		Alternate Parts Bar Handle
27	341-25872-06	HOSE, brake 1	1		
	341-25872-25	HOSE, brake 1	1		Alternate Parts Bar Handle
28	351-25887-01	HOLDER, brake hose 3	1		
29	92901-06100	WASHER, spring	1		
30	97301-06012	BOLT	1		
31	341-25881-00	RUBBER, brake hose	1		
32	371-25883-00	PIPE, brake 3	1		
33	341-25885-03	JOINT	1		

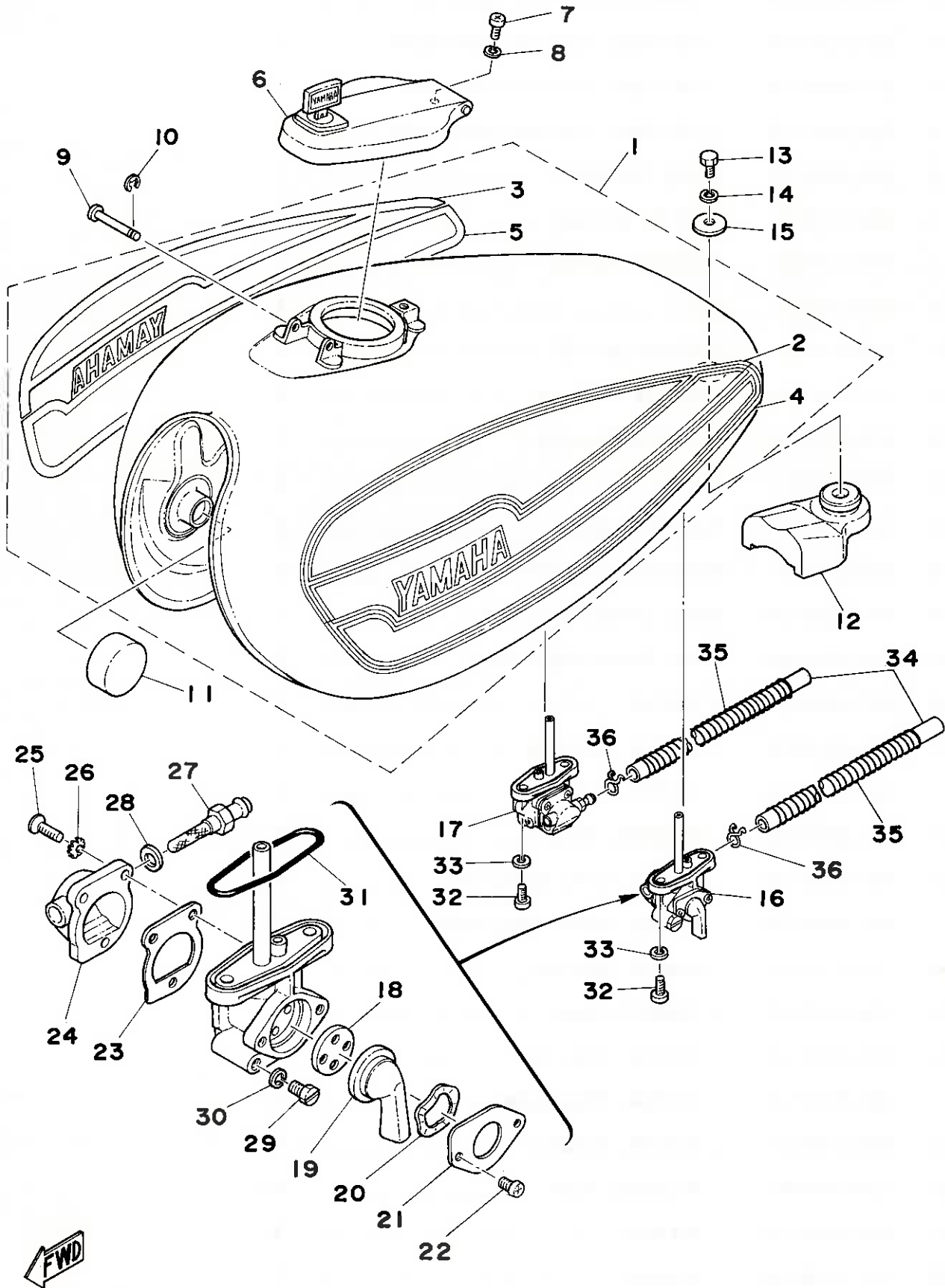
Fig. 30 MASTER CYLINDER BRAKE HOSE



Ref. No.	Parts No.	Description	Qty	Applicable Machine No.	Remarks
30-34	97301-06025	BOLT	3		
35	92901-06100	WASHER, spring	3		
36	341-25873-06	HOSE, brake 2	1		
37	533-25876-00	HOLDER, brake hose right	1		
38	533-25871-00	PIPE, brake 1	1		
39	306-25881-00	RUBBER, brake hose	1		
40	341-83980-30	FRONT STOP SWITCH ASS'Y	1		
41	90201-10128	WASHER, plate (341-83909-00)	1		
42	371-82549-00	COVER, stop switch	1		

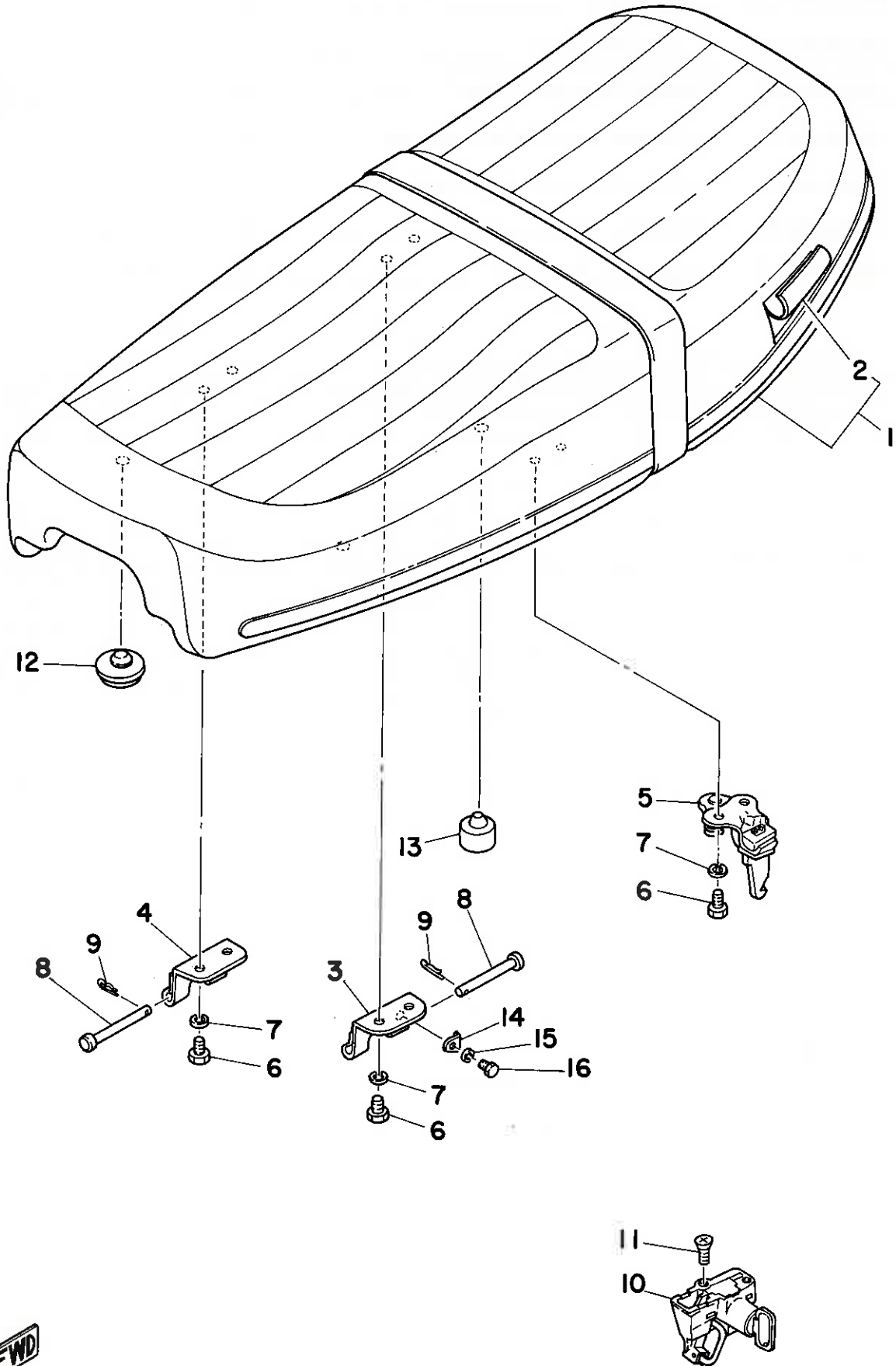
Ref. No.	Parts No.	Description	Q'ty	Applicable Machine No.	Remarks
31- 1	584-24110-00-02	FUEL TANK COMP.	1		French Blue
	2	584-24244-10 . GRAPHIC, fuel tank upper left	1		
	3	584-24245-10 . GRAPHIC, fuel tank upper right	1		
	4	584-24246-10 . GRAPHIC, fuel tank under left	1		
	5	584-24247-10 . GRAPHIC, fuel tank under right	1		
	6	584-24602-00 TANK CAP ASS'Y	1		
	7	98501-05008 SCREW, panhead	1		
	8	92901-05100 WASHER, spring	1		
	9	90249-03123 PIN	1		
	10	93430-02001 CIRCLIP (E-1.9)	1		
	11	156-24181-00 DAMPER, locating	2		
	12	256-24181-01 DAMPER, locating 1	1		
	13	97321-06015 BOLT	1		
	14	92901-06100 WASHER, spring	1		
	15	90201-06075 WASHER, plate (808-24186-00)	1		
	16	447-24500-02 FUEL COCK ASS'Y, left	1		
	17	447-24510-02 FUEL COCK ASS'Y, right	1		
	18	137-24523-00 . VALVE	2		
	19	447-24524-00 . LEVER, cock left	1		
		447-24524-10 . LEVER, cock right	1		
	20	132-24518-00 . WASHER, wave	2		
	21	447-24525-00 . PLATE, lever fitting left	1		
		447-24546-00 . PLATE, lever fitting right	1		
	22	98501-03008 . SCREW, panhead	4		
	23	256-24522-00 . GASKET, filter	2		
	24	447-24547-00 . COVER, filter left	1		
		447-24547-10 . COVER, filter right	1		
	25	98701-04010 . SCREW, flathead	6		
	26	92901-04500 . WASHER, tooth	6		
	27	256-24537-00 . NIPPLE	2		
	28	256-24528-00 . GASKET	2		
	29	256-24543-00 . PLUG, drain	2		

Fig. 31 FUEL TANK



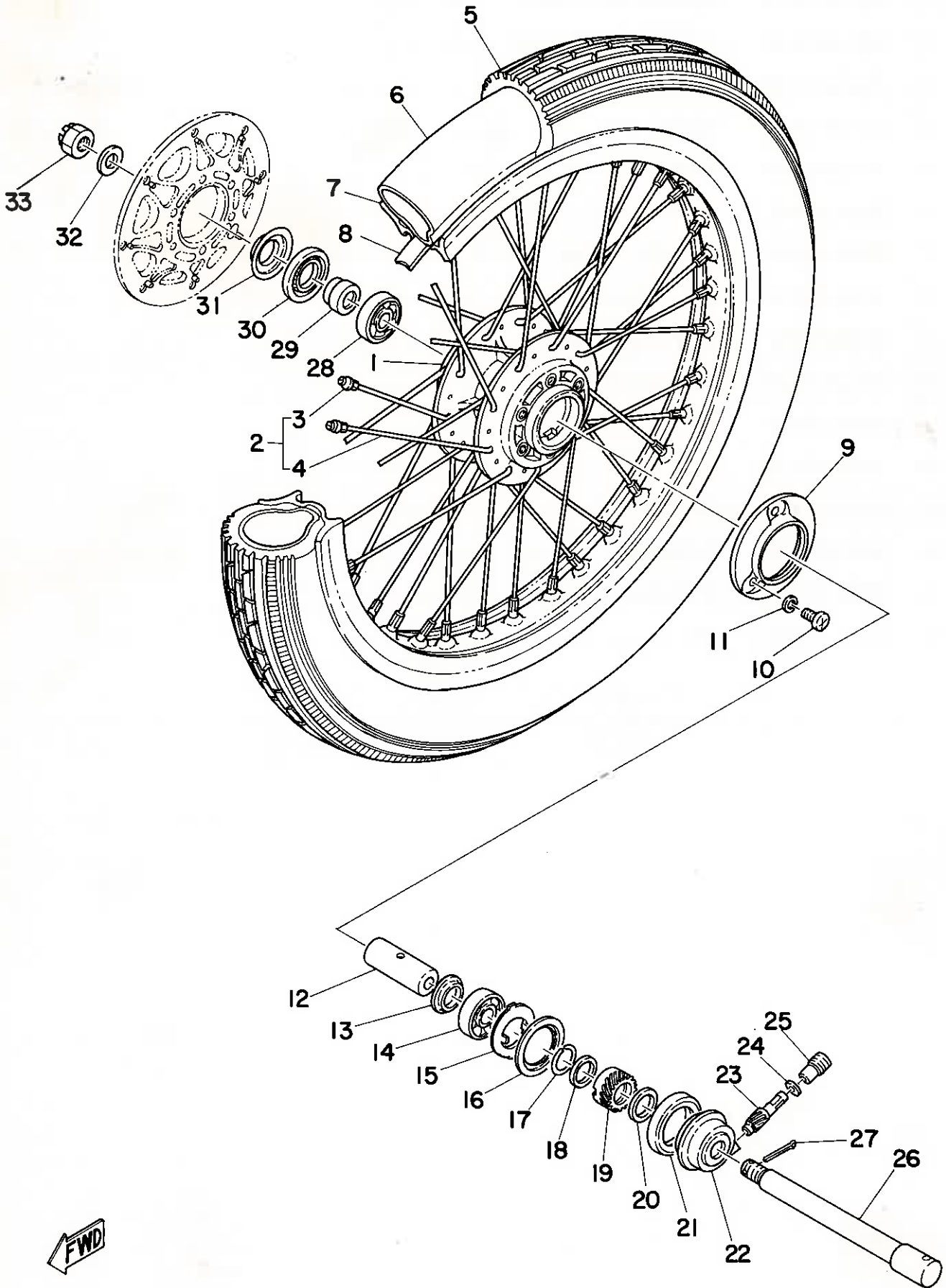
Ref. No.	Parts No.	Description	Q'ty	Applicable Machine No.	Remarks
31-30	801-24437-00	. GASKET	2		
31	256-24512-00	. GASKET, body	2		
32	90149-06011	SCREW (256-24143-00)	4		
33	90202-06010	WASHER, plate (178-14766-00)	4		
34	90445-09079	HOSE (170-24311-00 5-140)	1		
35	90501-06028	SPRING, compression	2		
36	90467-08003	CLIP (101-24356-00)	4		

Fig. 32 SEAT



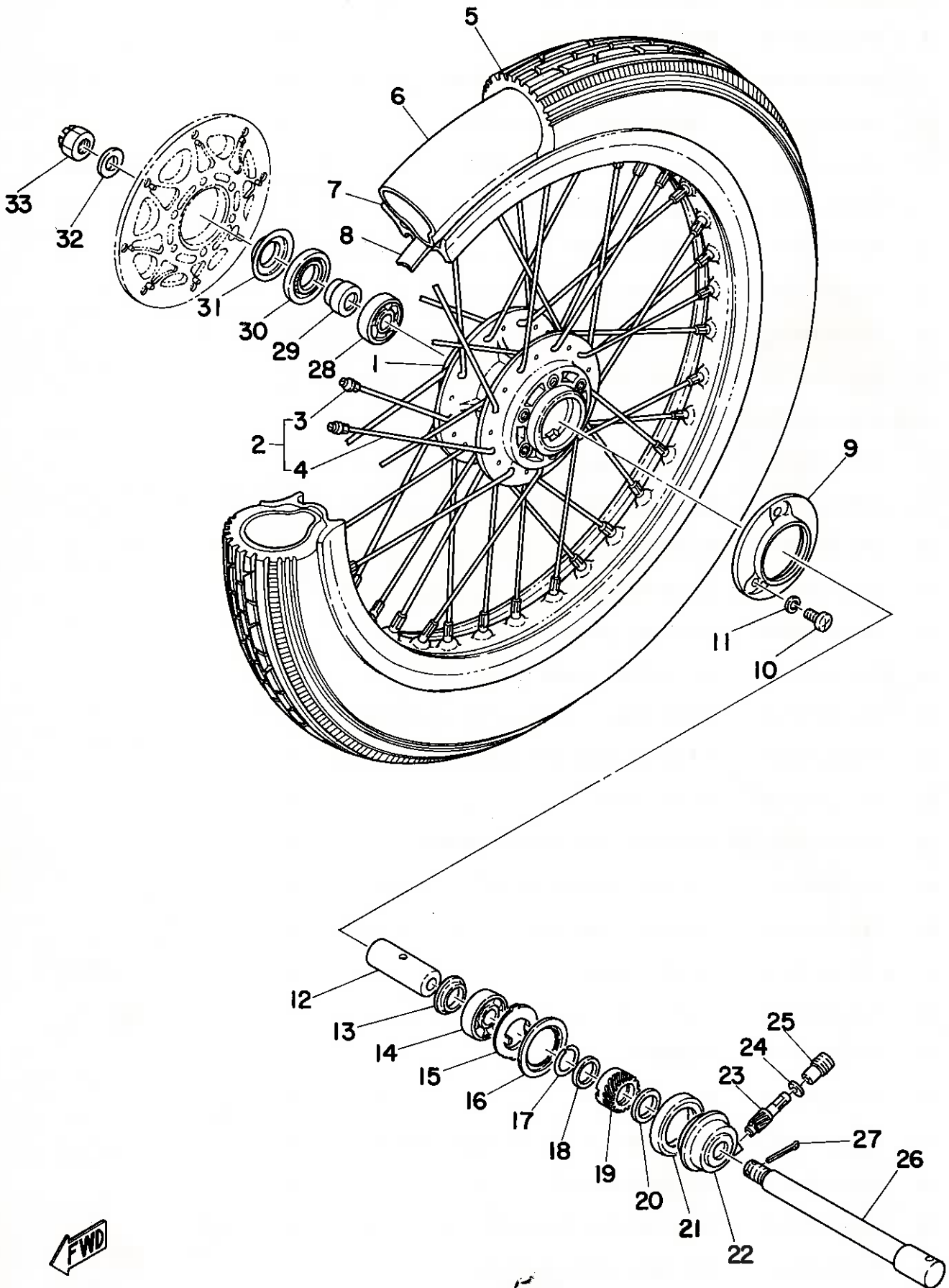
Ref. No.	Parts No.	Description	Q'ty	Applicable Machine No.	Remarks
32- 1	447-24730-02	DOUBLE SEAT ASS'Y	1		
2	447-24731-00	. COVER, double seat	1		
3	389-24726-00-33	HINGE, seat	1		Yamaha Black
4	371-24726-01	HINGE, seat	1		
5	371-24728-00	BRACKET, seat	1		
6	97301-06012	BOLT	6		
7	92901-06100	WASHER, spring	6		
8	91501-05055	PIN, clevis	2		
9	90468-10050	CLIP (156-83525-00)	2		
10	584-24708-00	SEAT LOCK ASS'Y	1		
11	92706-06012	SCREW, flathead	2		
12	174-24741-00	PAD, seat	4		
13	278-27114-00	PAD, seat	1		
14	389-24756-00	STOPPER	1		
15	92901-06100	WASHER, spring	1		
16	97301-06010	BOLT	1		

Fig. 33 FRONT WHEEL



Ref. No.	Parts No.	Description	Q'ty	Applicable Machine No.	Remarks
33- 1	341-25111-01	HUB, front	1		
2	341-25104-00	SPOKE SET	1s		
3	341-25196-90	. SPOKE SET, inner (10PCS)	1s		
4	341-25197-90	. SPOKE SET, outer (10PCS)	1s		
5	94135-19341	TIRE, front (3.50-19-4PR)	} U.R. 1		YOKOHAMA
	94135-19345	TIRE, front (3.50-19-4PR)			B.S
6	94235-19034	TUBE (3.50-19)	1		
7	94418-19145	RIM (1.8B-19)	1		
8	94335-19027	BAND, rim (2.50-19)	1		
9	371-25847-00	COVER, housing	1		
10	92501-08015	SCREW, panhead	3		
11	92901-08100	WASHER, spring	3		
12	90560-17126	SPACER (341-25117-01)	1		
13	152-25115-00	FLANGE, spacer	1		
14	93306-30306	BEARING (B6303RS)	1		
15	341-25149-00	CLUTCH, meter	1		
16	341-25846-00	RETAINER, meter clutch	1		
17	341-25137-00	RING, stop	1		
18	90201-25286	WASHER, plate (341-25147-00)	1		
19	341-25135-01	GEAR, drive	1		
20	90201-25490	WASHER, plate (152-17226-00)	1		
21	93102-28022	OIL SEAL (SD-28-47-7)	1		
22	341-25191-01	HOUSING, gear unit	1		
23	306-25138-00	GEAR, meter	1		
24	102-18416-00	SHIM (6.2-9.5-0.8)	1		
25	306-25136-00	BUSHING	1		
26	341-25181-01	SHAFT, wheel	1		
27	91401-30030	PIN, cotter	1		
28	93306-30307	BEARING (B6303)	1		
29	90387-17433	COLLAR (341-25183-00)	1		
30	93105-45017	OIL SEAL (SDO-45-56-6)	1		
31	341-25118-00	COVER, dust	1		

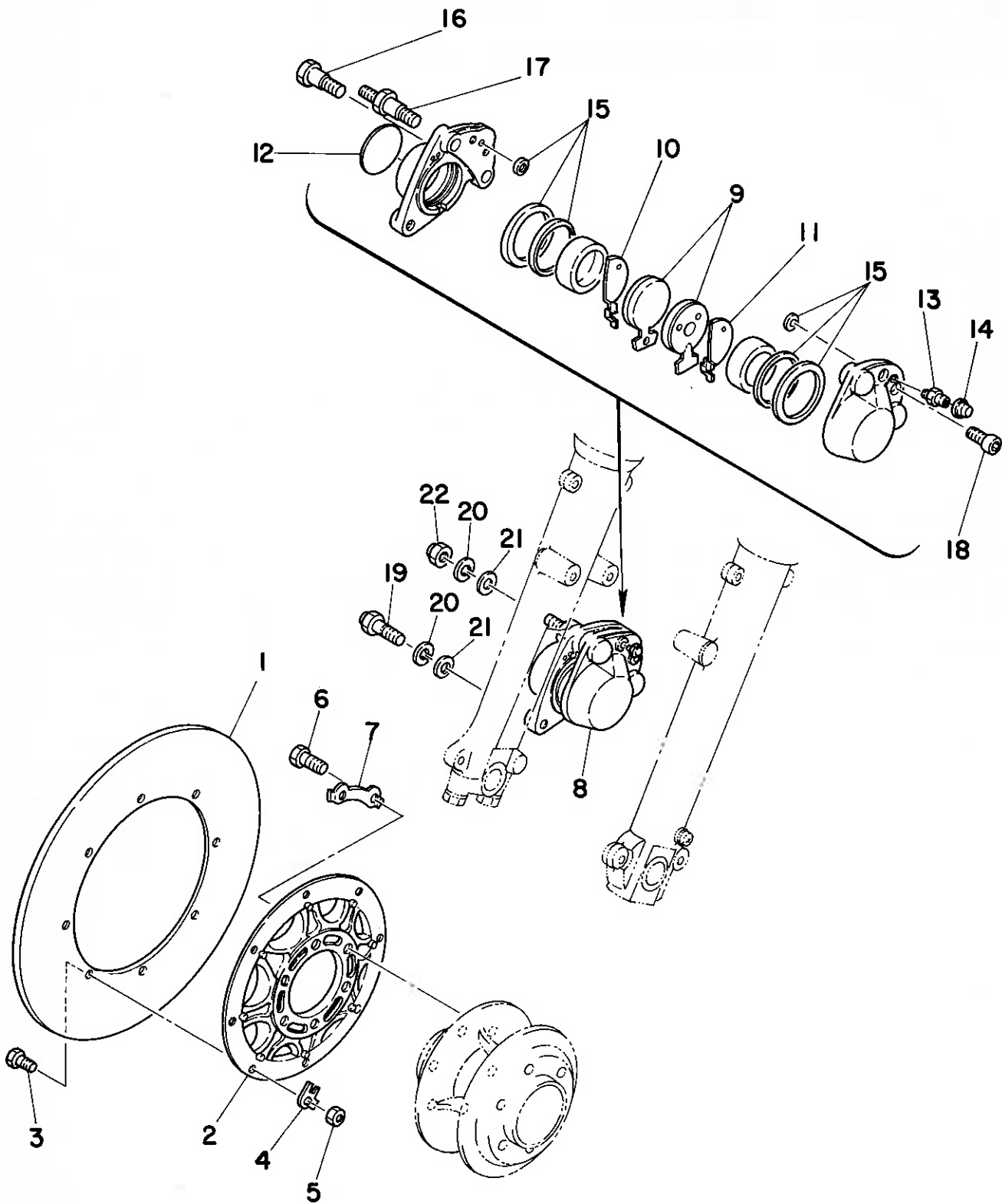
Fig. 33 FRONT WHEEL



FWD

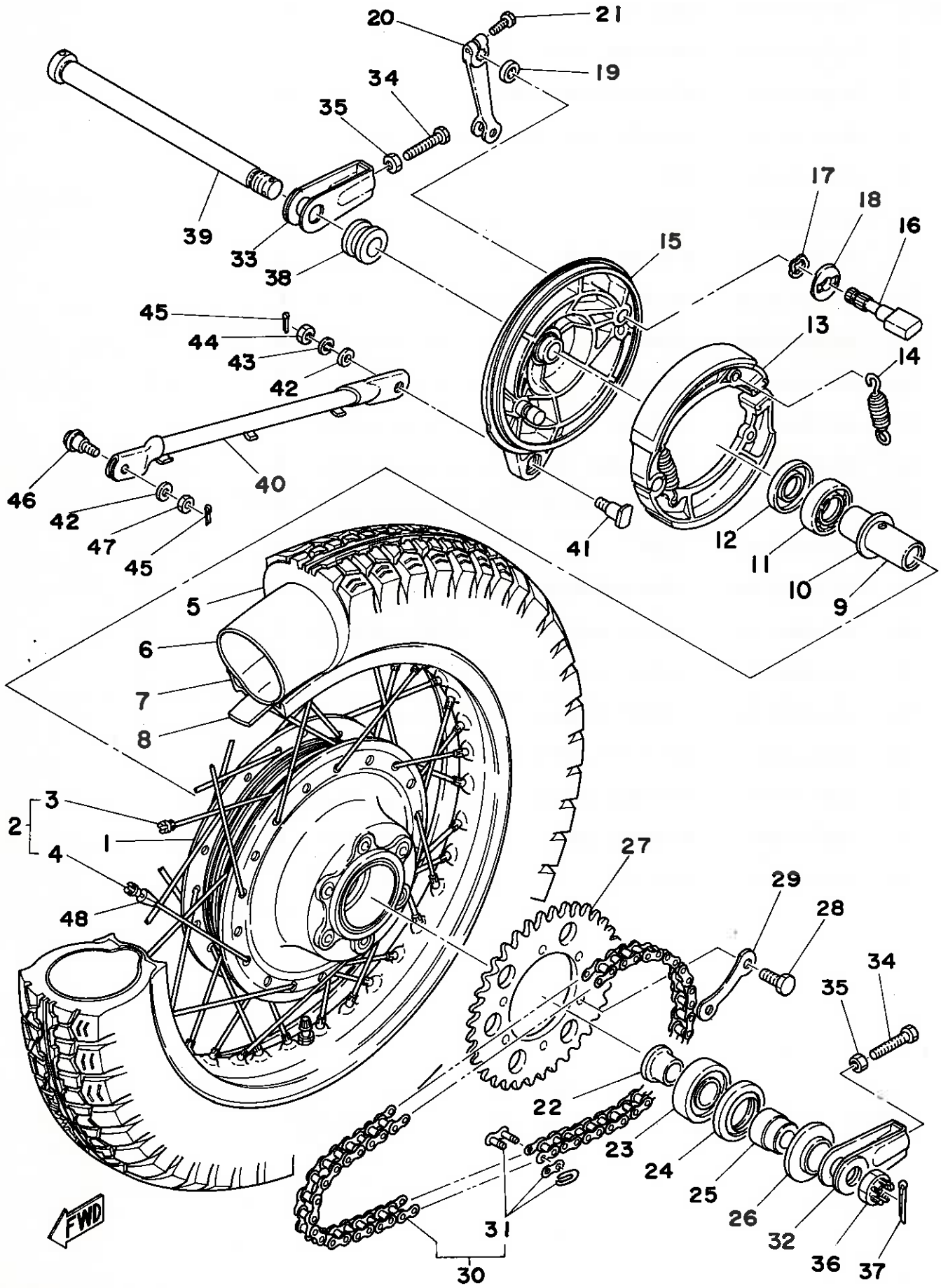
Ref. No.	Parts No.	Description	Q'ty	Applicable Machine No.	Remarks
33-32	92901-14200	WASHER, plain	1		
33	90171-14006	NUT, castle (214-25182-01)	1		

Fig. 34 DISK BRAKE · CALIPER



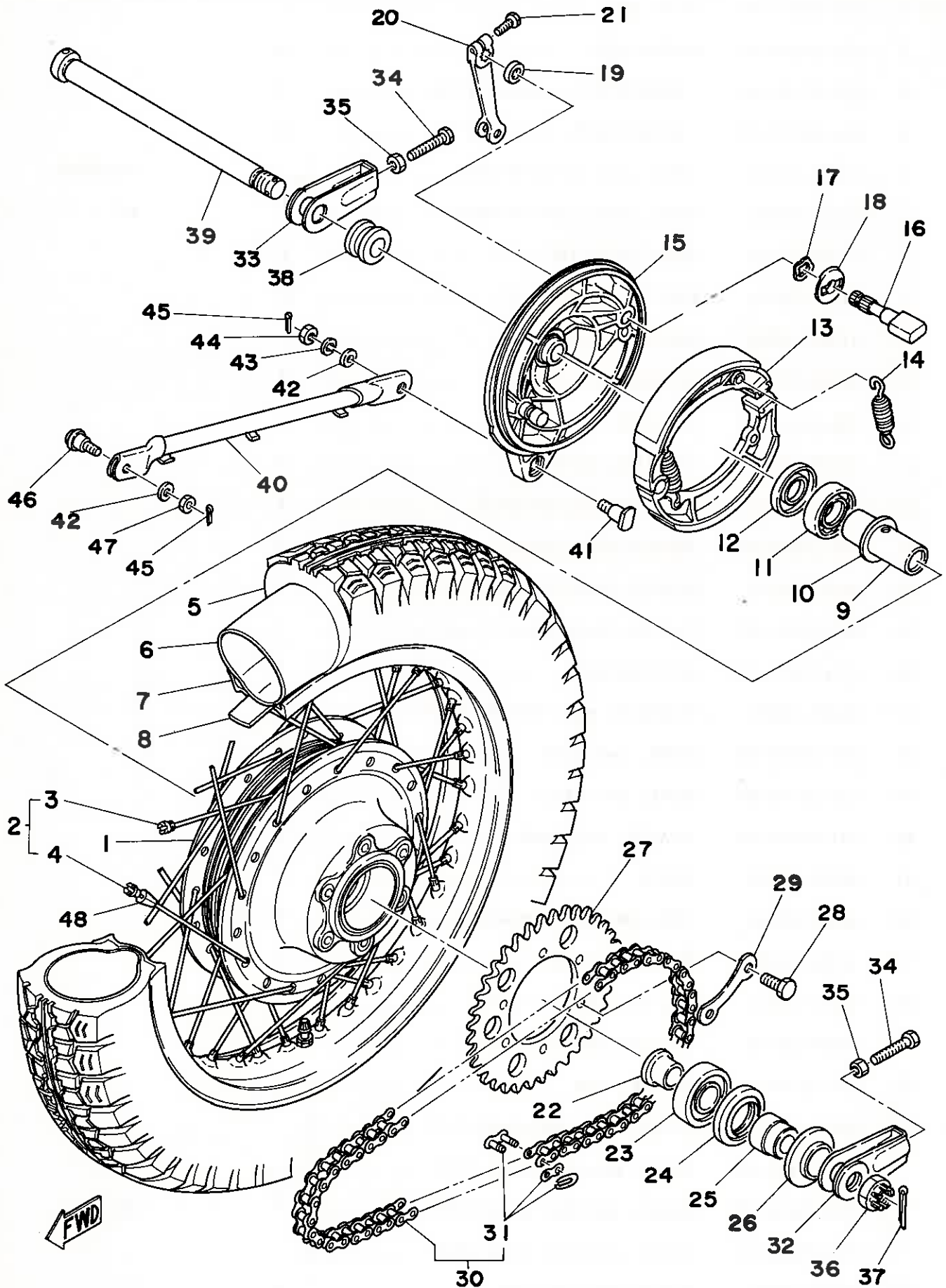
Ref. No.	Parts No.	Description	Q'ty	Applicable Machine No.	Remarks
34- 1	306-25831-00	DISK, brake	1		
2	341-25832-01	BRACKET, disk	1		
3	90109-06018	BOLT (306-25833-00)	8		
4	90215-06106	WASHER, lock (306-25834-00)	8		
5	95301-06600	NUT	8		
6	90109-08367	BOLT	6		
7	341-25412-00	WASHER, lock	3		
8	533-25810-10	CALIPER ASS'Y	1		
9	306-25811-05	. PAD, caliper	2		
10	409-25827-50	. SHIM 1	1		
11	409-25828-50	. SHIM 2	1		
12	306-25829-00	. EMBLEM, caliper	1		
13	306-25824-00	. SCREW, bleed	1		
14	306-25825-01	. CAP	1		
15	856-20000-50	. CALIPER SEAL KIT	1		
16	306-25821-01	. BOLT, bridge 1	1		
17	306-25822-01	. BOLT, bridge 2	1		
18	306-25826-01	. BOLT, bridge 3	2		
19	90109-10041	BOLT (306-25818-00)	1		
20	92901-10100	WASHER, spring	2		
21	92901-10200	WASHER, plain	2		
22	90176-10013	NUT, cap	1		

Fig. 35 REAR WHEEL



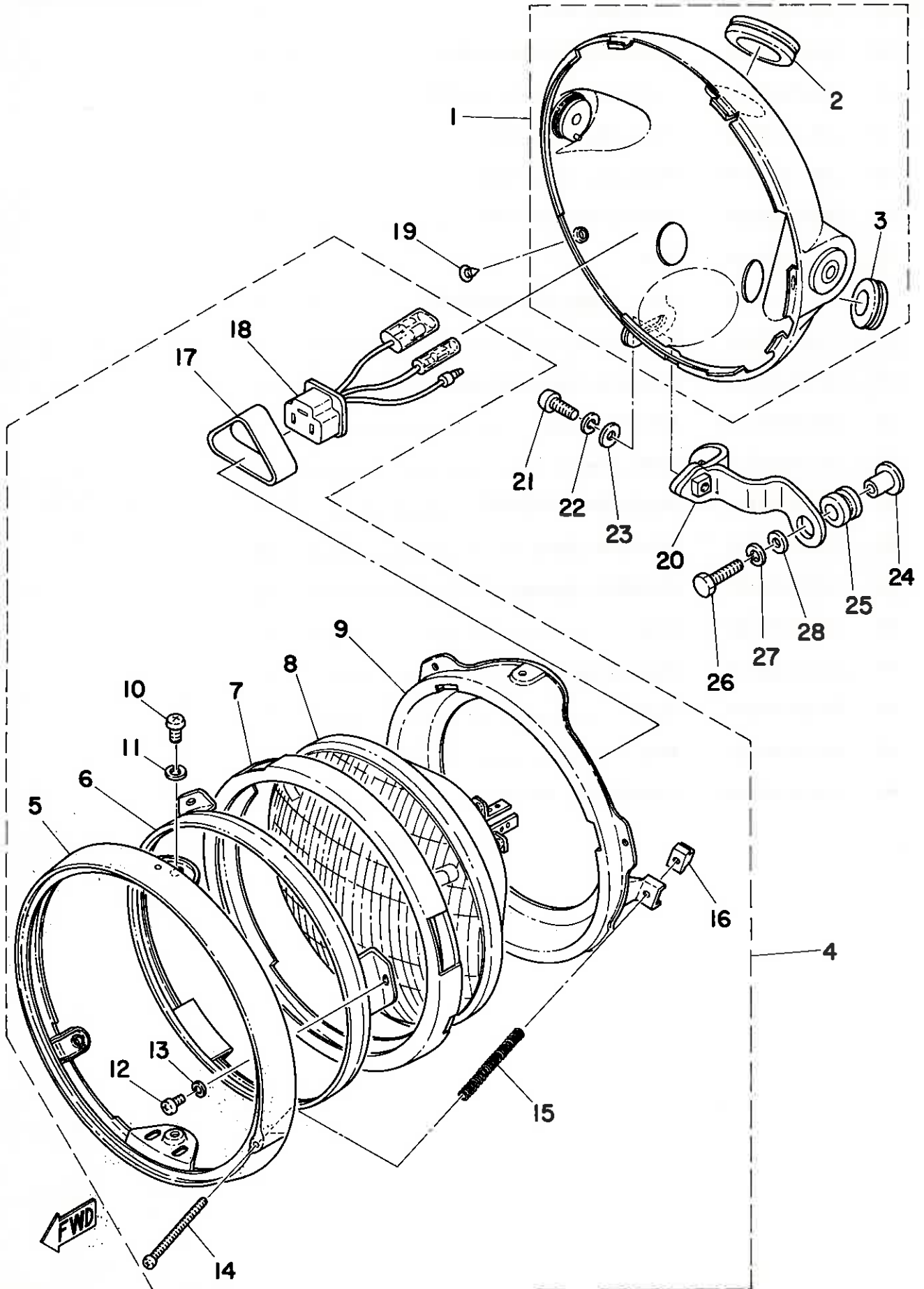
Ref. No.	Parts No.	Description	Q'ty	Applicable Machine No.	Remarks
35- 1	256-25311-00	HUB, rear	1		
2	256-25304-00	SPOKE SET	1s		
3	256-25396-90	. SPOKE SET, inner (10PCS)	1s		
4	256-25397-90	. SPOKE SET, outer (10PCS)	1s		
5	94140-18340	TIRE, rear (4.00-18-4PR)	} U.R. 1		YOKOHAMA
	94140-18346	TIRE, rear (4.00-18-4PR)			B.S
6	94240-18024	TUBE (4.00-18)	1		
7	94421-18126	RIM (2.15B-18)	1		
8	94340-18022	BAND, rim (4.00-18)	1		
9	90560-20135	SPACER (256-25317-00)	1		
10	256-25315-00	FLANGE, spacar	1		
11	93306-30404	BEARING (B6304Z)	1		
12	93104-27026	OIL SEAL (SO-27-52-5)	1		
13	447-25330-01	BRAKE SHOE COMP.	2		
14	90507-20002	SPRING (246-25333-00)	2		
15	447-25321-00	PLATE, brake shoe	1		
16	341-25351-00	CAM SHAFT	1		
17	90206-14020	WASHER, wave (648-42188-00)	1		
18	447-25353-00	SHIM, cam shaft	1		
19	148-25359-00	SEAL, cam shaft	1		
20	341-25355-00	LEVER, cam shaft	1		
21	90101-06225	BOLT	1		
22	90387-20166	COLLAR (256-25376-00)	1		
23	93306-30507	BEARING (B6305Z)	1		
24	93102-35065	OIL SEAL (SD-35-62-9)	1		
25	90387-20176	COLLAR (256-25377-00)	1		
26	256-25367-00	COVER, dust	1		
27	256-25432-20	GEAR, sprocket wheel (32T)	} U.R. 1		STD
	256-25433-20	GEAR, sprocket wheel (33T)			
	256-25434-20	GEAR, sprocket wheel (34T)			
	256-25436-20	GEAR, sprocket wheel (36T)			
28	90105-10007	BOLT (146-25411-00)	6		

Fig. 35 REAR WHEEL



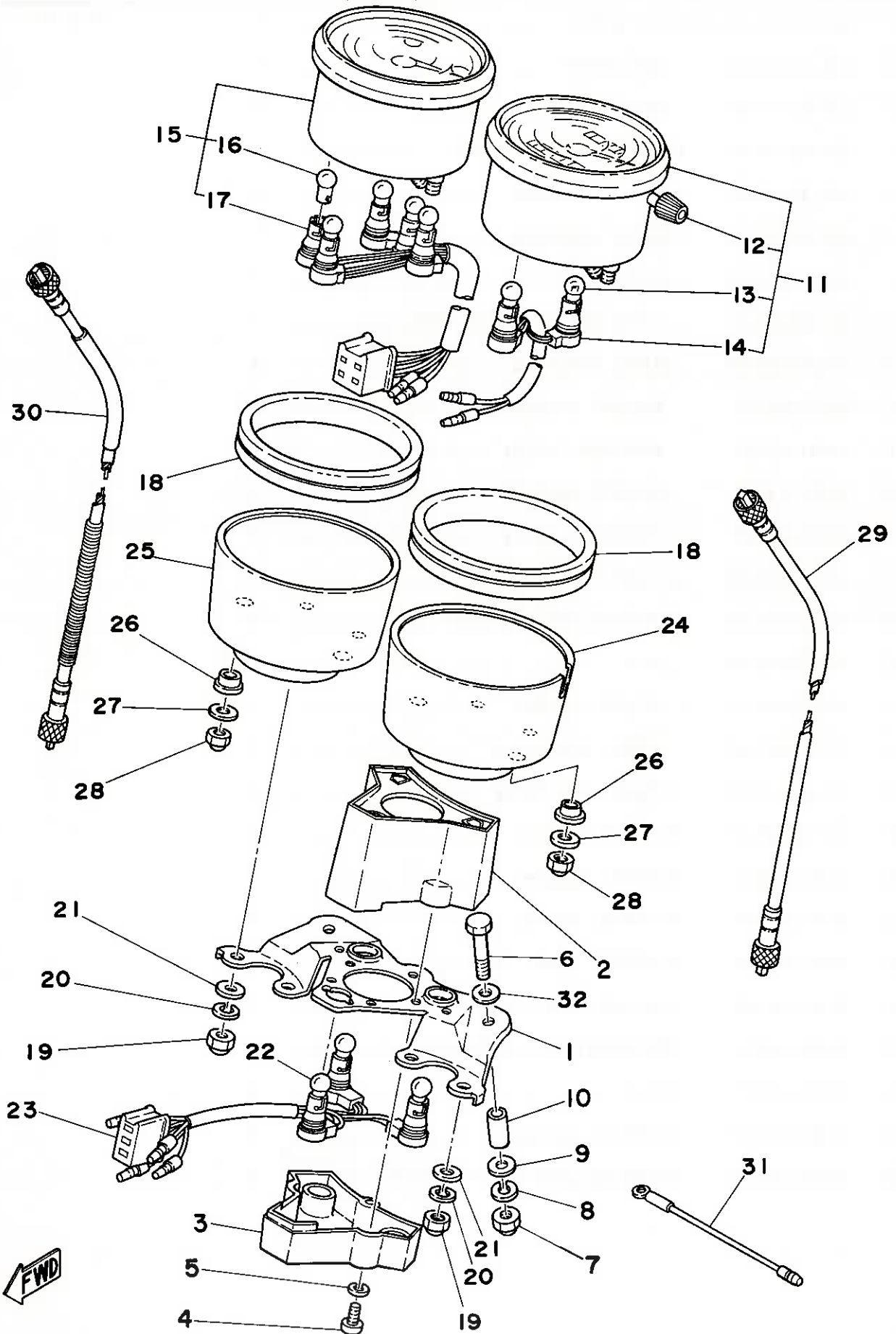
Ref. No.	Parts No.	Description	Q'ty	Applicable Machine No.	Remarks
35-29	256-25412-00	WASHER, lock	3		
30	94575-30104	CHAIN (DK530HDS-104L)	1		
31	94675-30011	. JOINT, chain (DK530HDS)	1		
32	341-25388-01	PULLER, chain left	1		
33	341-25389-00	PULLER, chain right	1		
34	90101-08034	BOLT (168-25479-00)	2		
35	90170-08158	NUT	2		
36	90171-18008	NUT, castle (256-25382-00)	1		
37	91401-40035	PIN, cotter	1		
38	90387-20444	COLLAR (341-25383-00)	1		
39	341-25381-00	SHAFT, wheel	1		
40	341-25371-00	BAR, tension	1		
41	90109-08338	BOLT (341-25378-00)	1		
42	90201-08600	WASHER, plate	2		
43	92901-08100	WASHER, spring	1		
44	90170-08158	NUT	1		
45	91401-20015	PIN, cotter	2		
46	90109-08374	BOLT	1		
47	90170-08157	NUT	1		
48	156-25398-00	BALANCER, wheel	U.N		

Fig. 36 HEAD LAMP



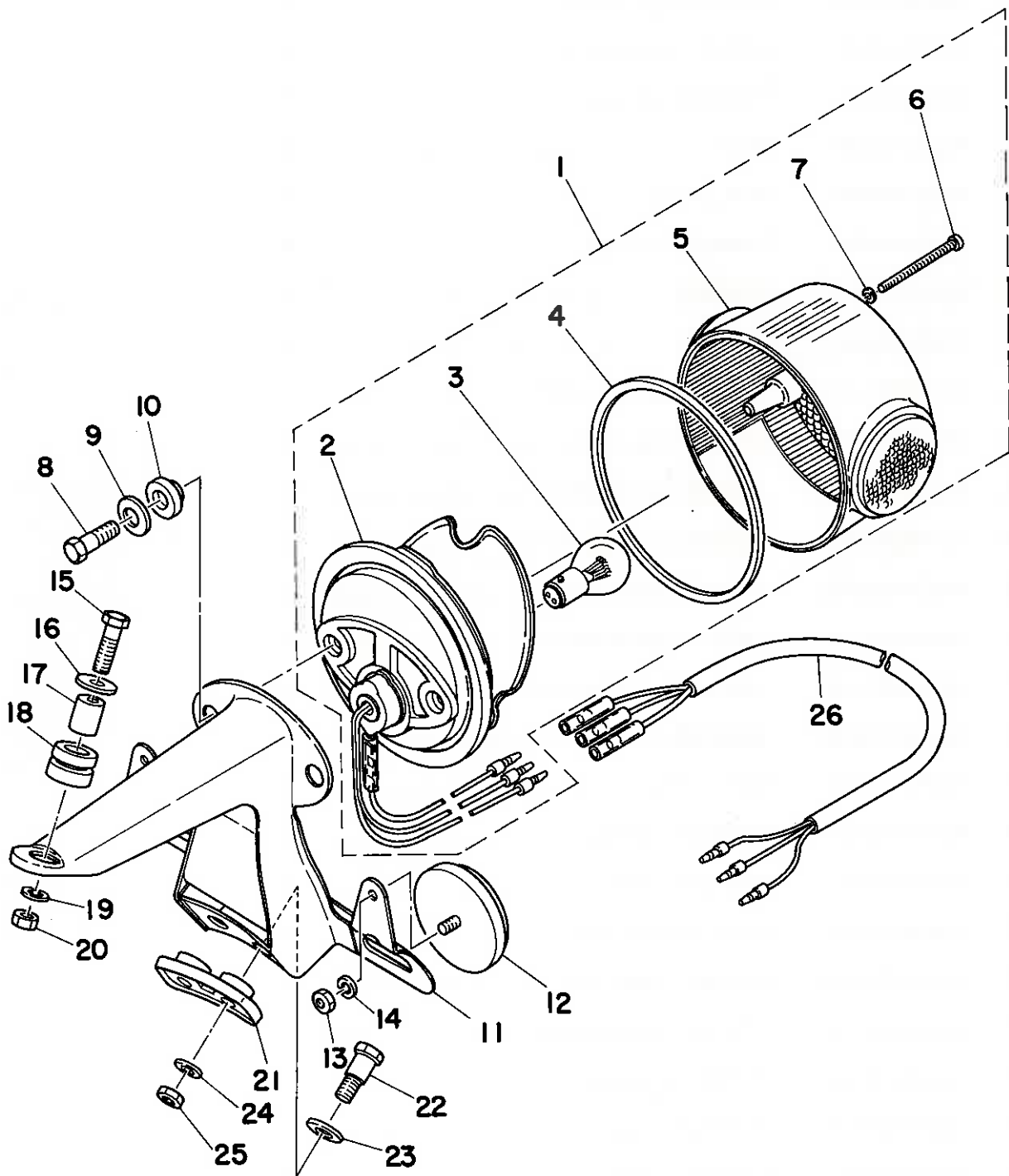
Ref. No.	Parts No.	Description	Q'ty	Applicable Machine No.	Remarks
36- 1	533-84330-40-G3	BODY ASS'Y	1		French Blue
2	214-84153-60	. GROMMET	1		
3	150-84153-00	. GROMMET	2		
4	584-84310-60	HEAD LAMP UNIT ASS'Y	1		
5	341-84315-40	. RIM, head lamp	1		
6	447-84395-60	. RING, retaining	1		
7	447-84322-60	. GASKET, lens	1		
8	341-84320-60	. LENS ASS'Y (12V-50/40W)	1		
9	533-84394-40	. RING, mounting	1		
10	98501-05010	. SCREW, panhead	2		
11	92901-05100	. WASHER, spring	2		
12	98501-04008	. SCREW, panhead	3		
13	92901-04100	. WASHER, spring	3		
14	341-84331-60	. SCREW, adjusting	1		
15	447-84332-60	. SPRING, compression	1		
16	198-84334-60	. NUT	1		
17	341-84397-61	. COVER, socket	1		
18	371-84312-60	. CORD, head lamp	1		
19	195-84325-00	SCREW, rim fitting	2		
20	447-84318-01	STAY, head lamp	1		
21	92501-06018	SCREW, panhead	1		
22	92901-06100	WASHER, spring	1		
23	92901-06200	WASHER, plain	1		
24	90387-06388	COLLAR (322-21544-00)	2		
25	90480-14102	GROMMET (214-21717-00)	2		
26	97323-06025	BOLT	2		
27	92901-06100	WASHER, spring	2		
28	90201-06066	WASHER, plate (101-28323-00)	2		

Fig. 37 SPEEDOMETER · TACHOMETER



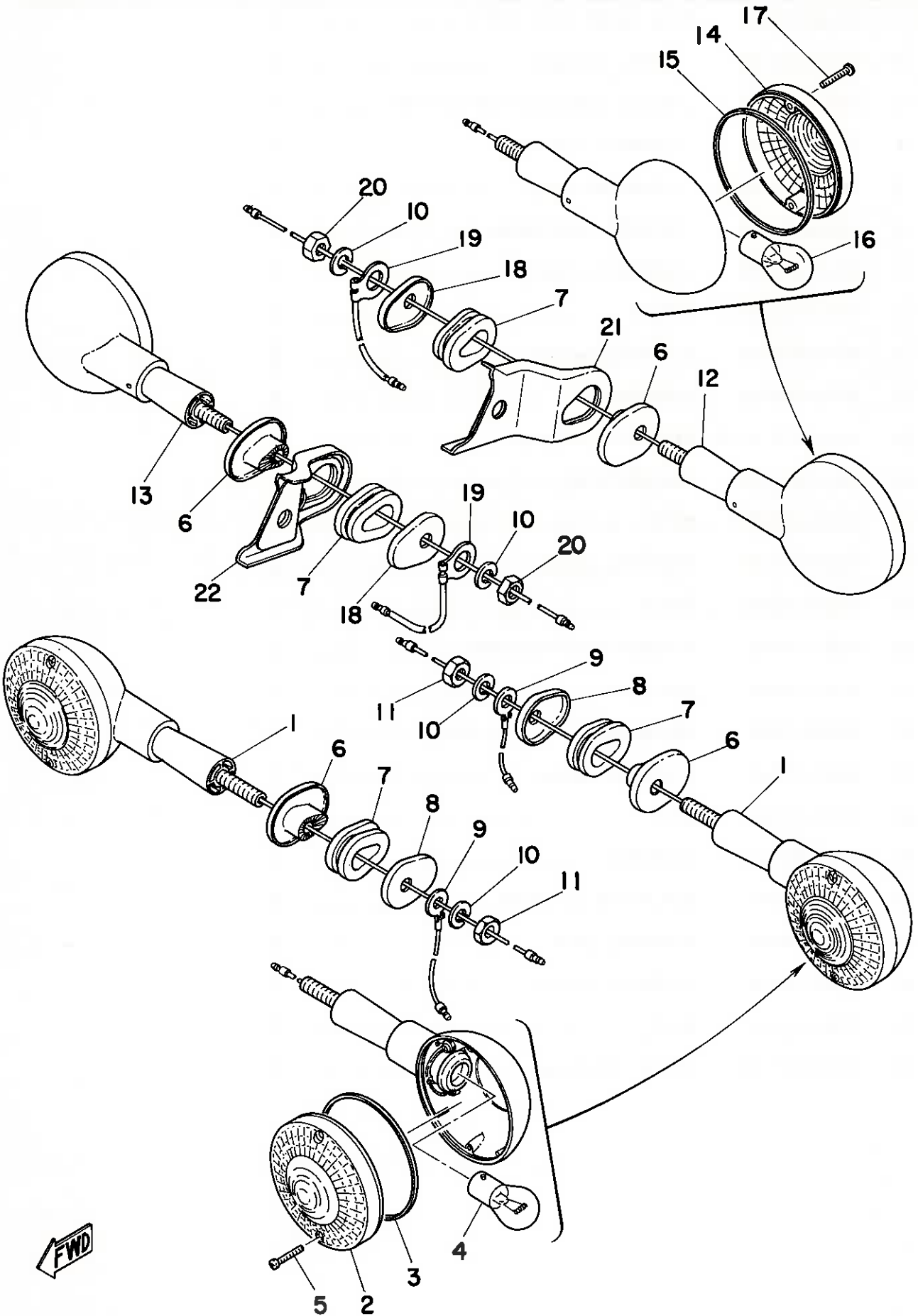
Ref. No.	Parts No.	Description	Q'ty	Applicable Machine No.	Remarks
37- 1	584-83519-00	BRACKET, meter	1		
2	584-83568-00	PILOT BOX, upper	1		
3	584-83569-00	PILOT BOX, under	1		
4	98501-04010	SCREW, panhead	3		
5	92901-04100	WASHER, spring	3		
6	97301-06040	BOLT	2		
7	95303-06800	NUT, crown	2		
8	92901-06100	WASHER, spring	2		
9	90201-06076	WASHER	2		
10	90387-06249	COLLAR	2		
11	584-83570-70	SPEEDOMETER ASS'Y	1		
12	584-83578-70	. KNOB, trip meter	1		
13	123-83516-20	. BULB (12V-3.4W)	2		
14	584-83571-00	. SOCKET CORD ASS'Y 1	1		
15	584-83540-70	TACHOMETER ASS'Y	1		
16	123-83516-20	. BULB (12V-3.4W)	5		
17	584-83573-00	. SOCKET CORD ASS'Y 3	1		
18	584-83513-00	DAMPER	2		
19	95303-06800	NUT, crown	4		
20	92901-06100	WASHER, spring	4		
21	92901-06200	WASHER, plain	4		
22	123-83516-20	BULB (12V-3.4W)	3		
23	584-83572-00	SOCKET CORD ASS'Y 2	1		
24	584-83507-00	COVER, speedometer	1		
25	584-83508-00	COVER, tachometer	1		
26	584-83523-00	DAMPER, meter	4		
27	92901-05200	WASHER, plain	4		
28	95303-05800	NUT, crown	4		
29	341-83550-00	SPEEDOMETER CABLE ASS'Y	1		
30	447-83560-00	TACHOMETER CABLE ASS'Y	1		
31	584-82519-00	WIRE, earth lead	1		
32	92901-06600	WASHER, plain	2		

Fig. 38 TAIL LAMP



Ref. No.	Parts No.	Description	Q'ty	Applicable Machine No.	Remarks
38- 1	371-84710-60	TAIL LAMP UNIT ASS'Y	1		
2	371-84711-60	. BASE, tail lamp	1		
3	256-84714-61	. BULB, tail lamp (12V-32/3CP)	1		
4	275-84523-60	. GASKET, tail lamp	1		
5	341-84721-60	. LENS, tail lamp	1		
6	341-84724-60	. SCREW, lens fitting	3		
7	341-84722-60	. GASKET, screw	3		
8	275-84526-60	SCREW	2		
9	437-84525-60	WASHER, special	2		
10	275-84527-60	DAMPER	2		
11	341-84751-61-93	BRACKET, license	1		
12	341-85111-60	REFLECTOR	2		
13	95303-05600	NUT	2		
14	92903-05100	WASHER, spring	2		
15	91203-06025	BOLT	1		
16	90209-06095	WASHER (102-28323-00)	1		
17	90387-07390	COLLAR	1		7-10-11.5
18	90480-14102	GROMMET (214-21717-00)	1		
19	92901-06100	WASHER, spring	1		
20	95301-06600	NUT	1		
21	214-84553-01	DAMPER	1		
22	90109-06017	BOLT (168-21738-00)	2		
23	92901-08200	WASHER, plain	2		
24	92901-06100	WASHER, spring	2		
25	95301-06600	NUT	2		
26	438-84517-00	CORD, tail lamp	1		

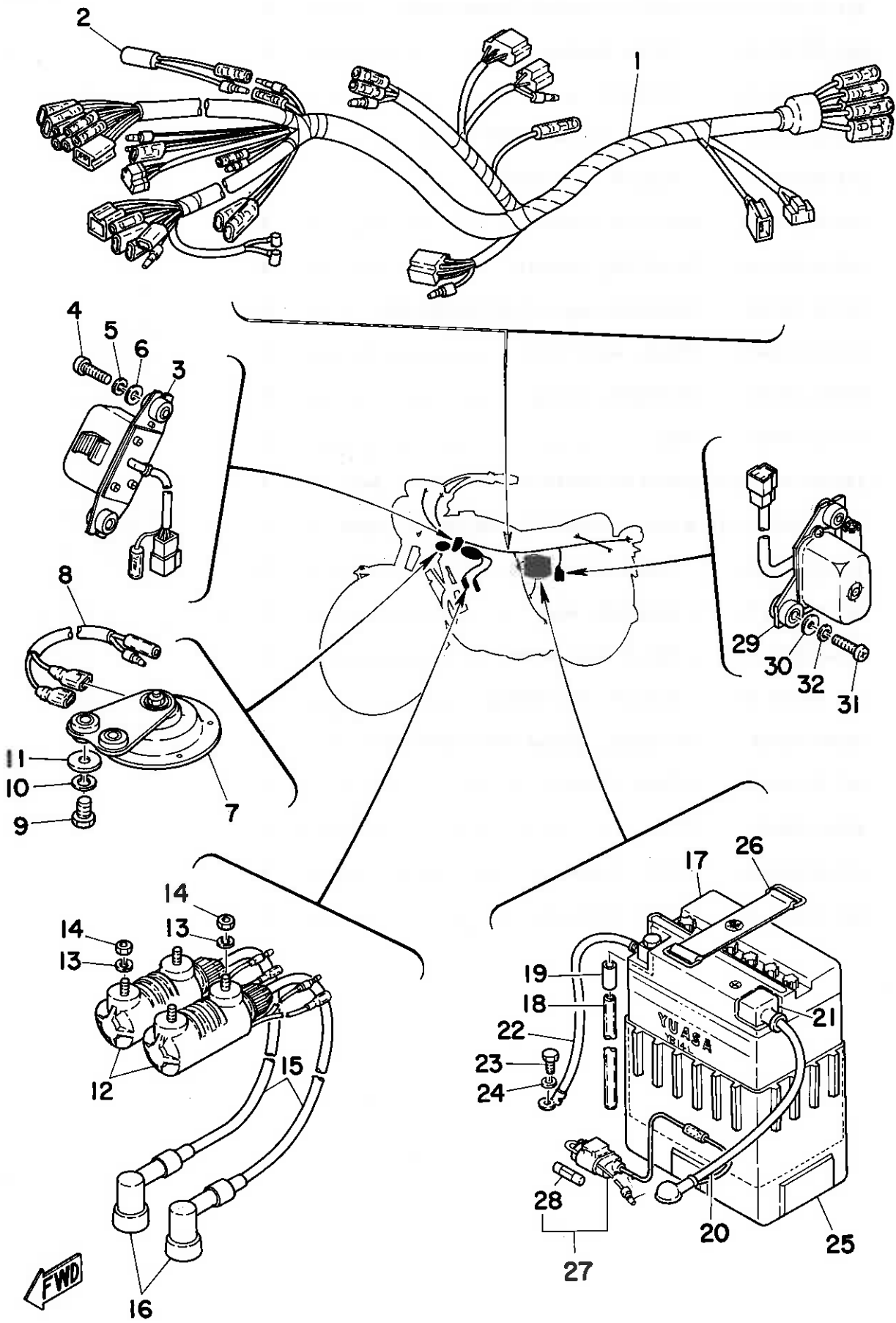
Fig. 39 FLASHER LAMP



FWD

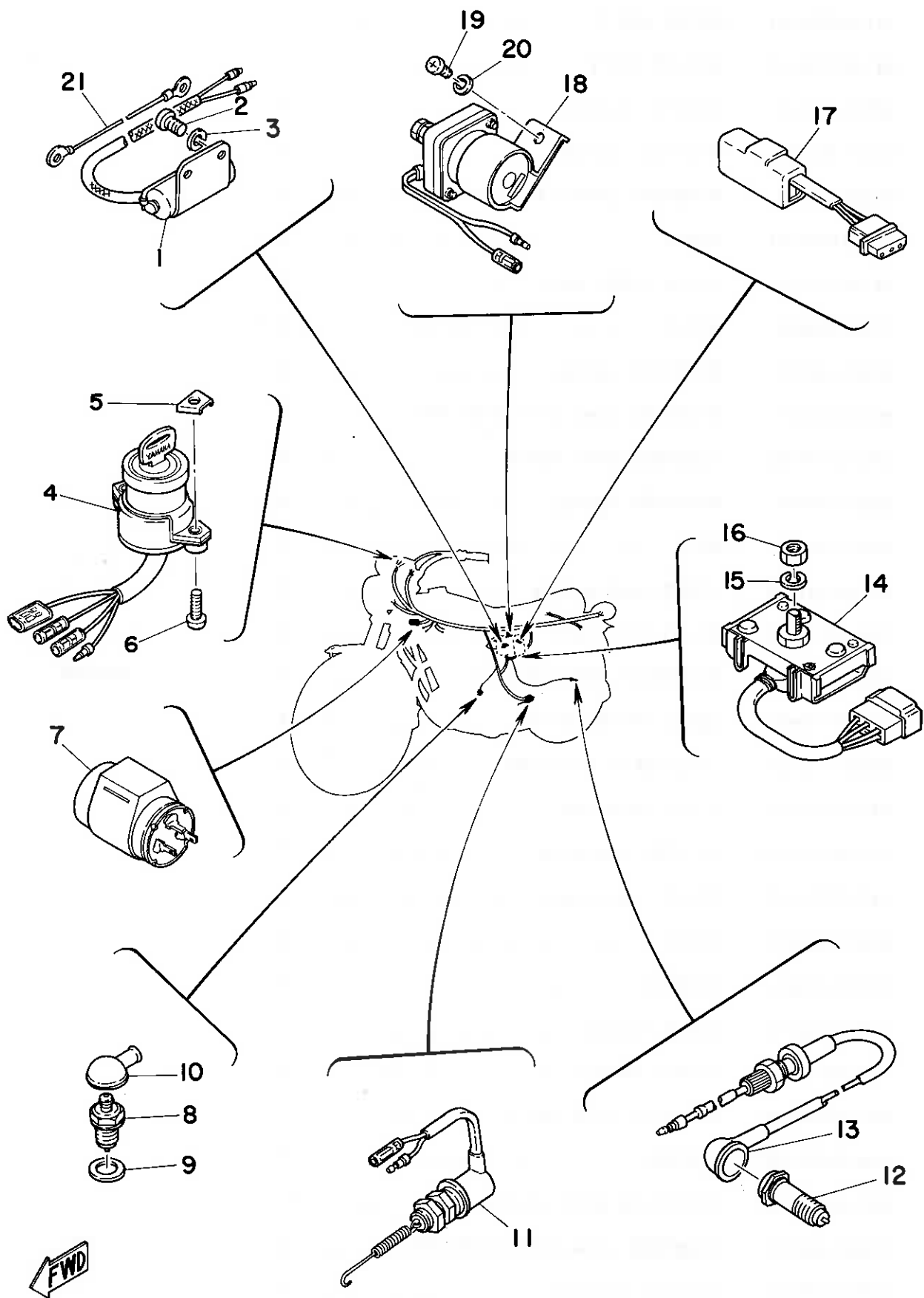
Ref. No.	Parts No.	Description	Q'ty	Applicable Machine No.	Remarks
39- 1	341-83310-72-93	FRONT FLASHER LAMP ASS'Y	2		
2	341-83312-70	. LENS, flasher	2		
3	341-83313-70	. GASKET, lens	2		
4	256-83311-70	. BULB, flasher (12V-32CP)	2		
5	341-83333-70	. SCREW, lens fitting	4		
6	366-83316-00	COLLAR, flasher	4		
7	256-83321-00	DAMPER, flasher	4		
8	90209-08028	WASHER, special (275-83359-00)	2		
9	371-82519-00	WIRE, earth lead	2		
10	92901-08100	WASHER, spring	4		
11	95301-08700	NUT	2		
12	447-83330-72-93	REAR FLASHER LAMP ASS'Y, left ..	1		
13	447-83340-72-93	REAR FLASHER LAMP ASS'Y, right ..	1		
14	341-83312-70	. LENS, flasher	2		
15	341-83313-70	. GASKET, lens	2		
16	256-83311-70	. BULB (12V-32CP)	2		
17	341-83333-70	. SCREW, lens fitting	4		
18	90209-08098	WASHER, special (341-83348-00)	2		
19	447-83336-01	CORD, flasher	2		
20	95301-08600	NUT	2		
21	447-83368-00	STAY, flasher 3	1		
22	447-83369-00	STAY, flasher 4	1		

Fig. 40 ELECTRICAL 1



Ref. No.	Parts No.	Description	Q'ty	Applicable Machine No.	Remarks
40- 1	584-82590-60	WIRE HARNESS ASS'Y	1		
2	341-81980-01	DIODE ASS'Y	1		
3	447-81950-10	RELAY ASS'Y	1		
4	92501-06025	SCREW, panhead	2		
5	92901-06100	WASHER, spring	2		
6	90201-06052	WASHER, plate (136-22316-00)	2		
7	366-83371-51	HORN	1		
8	447-83373-00	LEAD WIRE, horn	1		
9	97301-08025	BOLT	2		
10	92901-08100	WASHER, spring	2		
11	90201-08107	WASHER, plate (137-24186-00)	2		
12	254-82310-60	IGNITION COIL ASS'Y	2		
13	92901-06100	WASHER, spring	4		
14	95301-06600	NUT	4		
15	447-82341-00	CORD, high tension	2		
16	256-82370-00	PLUG CAP ASS'Y	2		
17	447-82110-80	BATTERY ASS'Y (YB14L)	1		12V-13AH
18	90445-08048	HOSE (341-82112-00)	1		
19	90386-07043	COLLAR (7.6-9.5-20)	1		
20	447-82115-01	WIRE, plus lead	1		
21	447-82119-00	COVER, lead wire	1		
22	447-82116-00	WIRE, minus lead	1		
23	97301-06012	BOLT	1		
24	92901-06100	WASHER, spring	1		
25	449-82122-00	SEAT, battery	1		
26	120-82131-00	BAND, battery	1		
27	447-82150-00	FUSE HOLDER ASS'Y	1		
28	148-82151-00	FUSE	2		
29	447-81910-10	VOLTAGE REGULATOR ASS'Y	1		
30	90201-06052	WASHER, plate (136-22316-00)	2		
31	92501-06025	SCREW, panhead	2		
32	92901-06100	WASHER, spring	2		

Fig. 41 ELECTRICAL 2



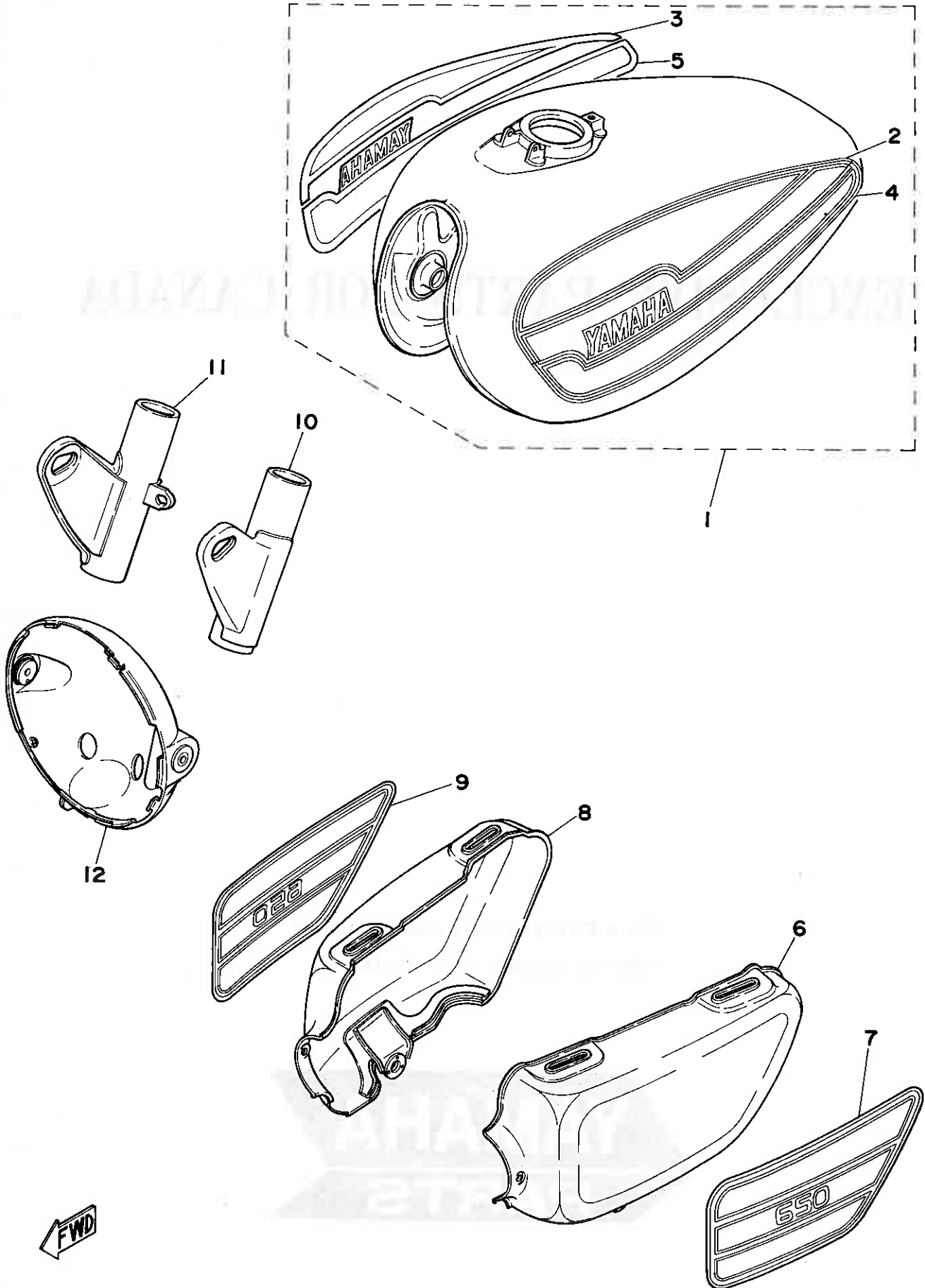
Ref. No.	Parts No.	Description	Q'ty	Applicable Machine No.	Remarks
41- 1	256-81625-10	CONDENSER	1		
2	92501-06008	SCREW, panhead	2		
3	92901-06100	WASHER, spring	2		
4	584-82508-40	MAIN SWITCH ASS'Y	1		
5	533-82517-00	WASHER, special	2		
6	98501-05015	SCREW, panhead	2		
7	447-83350-70	FLASHER RELAY ASS'Y	1		
8	168-82540-00	NEUTRAL SWITCH ASS'Y	1		
9	136-82543-00	GASKET	1		
10	168-82542-10	CAP	1		
11	533-82530-00	STOP SWITCH ASS'Y	1		
12	341-82503-01	SWITCH, alarm	1		
13	447-82531-00	WIRE, lead	1		
14	447-81970-10	RECTIFIER ASS'Y	1		
15	92901-08100	WASHER, spring	1		
16	95301-08700	NUT	1		
17	371-84708-01	CHECKER, lamp	1		
18	447-81940-10	STARTER SWITCH ASS'Y	1		
19	92501-06015	SCREW, panhead	1		
20	92901-06100	WASHER, spring	1		
21	256-81615-00	WIRE, lead	1		

EXCLUSIVE PARTS FOR CANADA

This Parts List is exclusive for
XS650C Canada specifications.



Fig. 42 EXCLUSIVE PARTS FOR CANADA

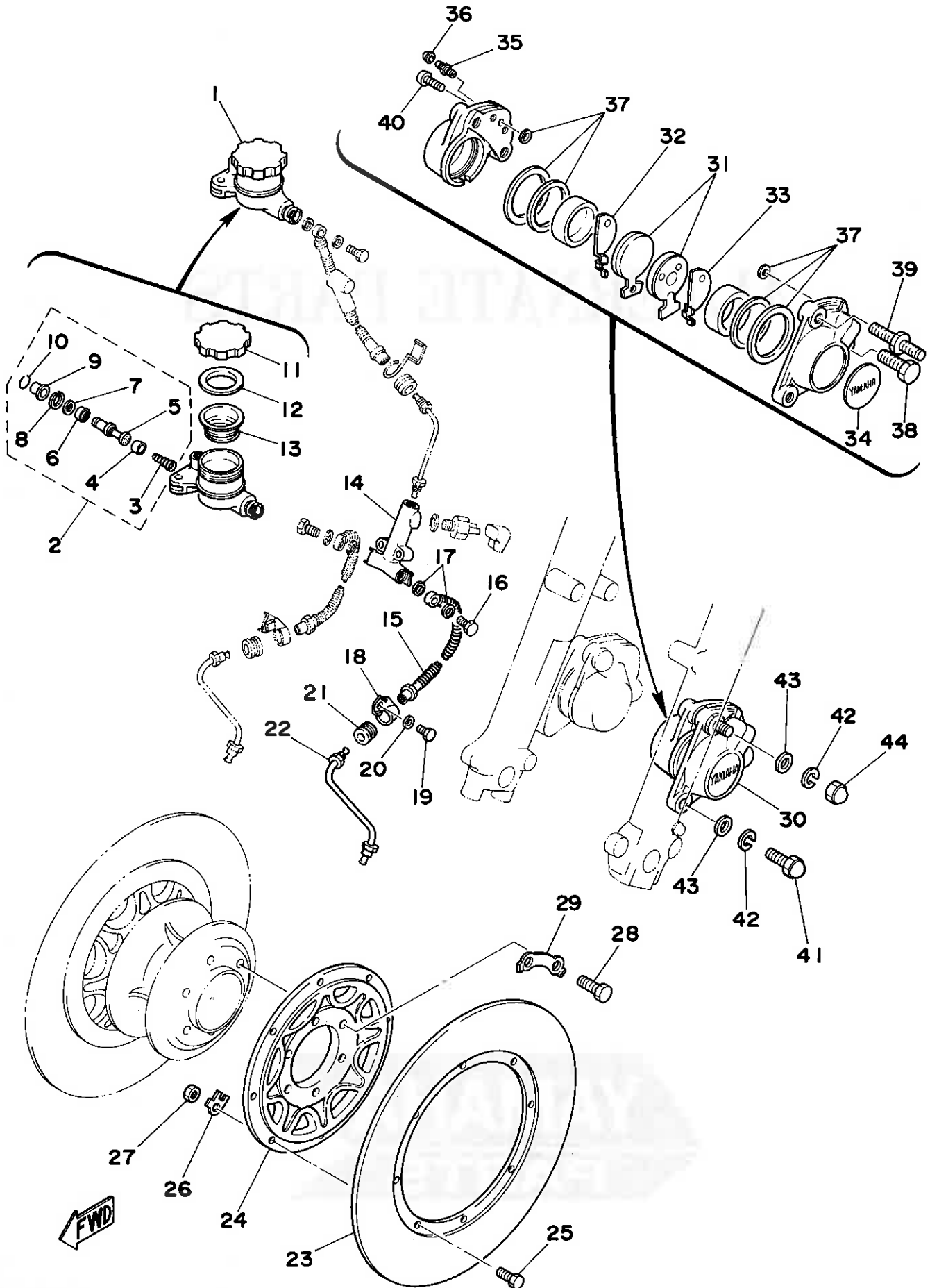


Ref. No.	Parts No.	Description	Q'ty	Applicable Machine No.	Remarks
42- 1	584-24110-00-01	FUEL TANK COMP.	1		Brilliant Red
2	584-24244-00	. GRAPHIC, fuel tank upper left	1		
3	584-24245-00	. GRAPHIC, fuel tank upper right	1		
4	584-24246-00	. GRAPHIC, fuel tank under left	1		
5	584-24247-00	. GRAPHIC, fuel tank under right	1		
6	447-21711-01-63	COVER, side left	1		Brilliant Red
7	584-21784-00	EMBLEM, side cover left	1		
8	447-21721-01-63	COVER, side right	1		Brilliant Red
9	584-21786-00	EMBLEM, side cover right	1		
10	447-23121-51-63	COVER, upper left	1		Brilliant Red
11	447-23131-51-63	COVER, upper right	1		Brilliant Red
12	533-84330-40-63	BODY ASS'Y	1		Brilliant Red

ALTERNATE PARTS

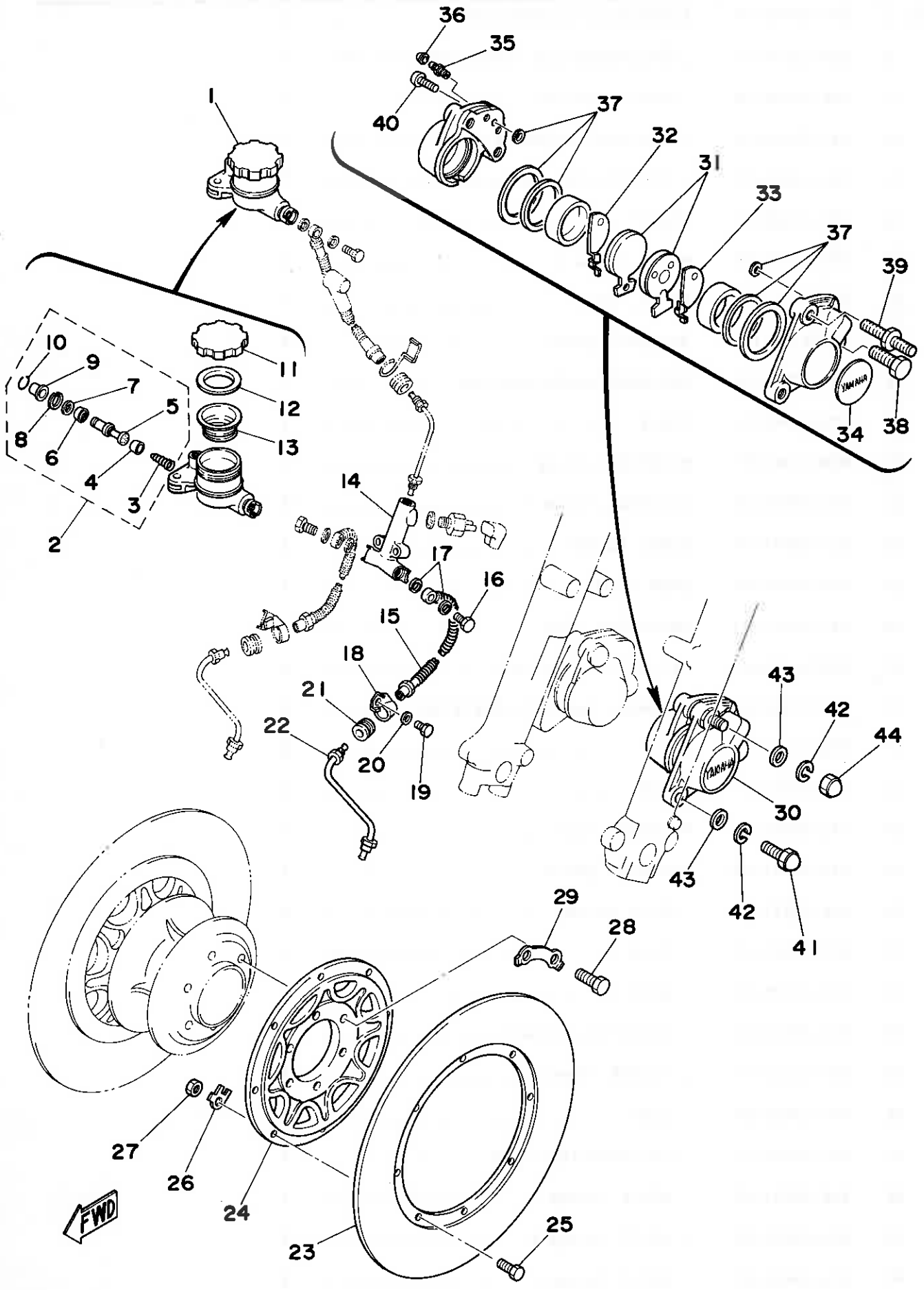


Fig. 43 DOUBLE DISK BRAKE



Ref. No.	Parts No.	Description	Q'ty	Applicable Machine No.	Remarks
43- 1	341-25850-10	MASTER CYLINDER ASS'Y	1		
2	341-20000-10	. CYLINDER KIT, master (No. 3 ~ 10)	1		
11	341-25852-30	. CAP, reservoir	1		
12	341-25855-30	. BUSHING, diaphragm	1		
13	341-25854-00	. DIAPHRAGM, reservoir	1		
14	341-25885-10	JOINT	1		
15	341-25873-06	HOSE, brake 2	1		
16	90401-10034	BOLT, union	1		
17	90201-10118	WASHER, plate	2		
18	533-25875-00	HOLDER, brake hose left	1		
19	97301-06025	BOLT	1		
20	92901-06100	WASHER, spring	1		
21	306-25881-00	RUBBER, brake 1	1		
22	533-25871-00	PIPE, brake 1	1		
23	306-25831-01	DISK, brake	1		
24	341-25832-01	BRACKET, disk	1		
25	90109-06018	BOLT (306-25833-00)	8		
26	90215-06106	WASHER, lock (306-25834-00)	8		
27	95301-06100	NUT	8		
28	90109-08367	BOLT	6		
29	341-25412-00	WASHER, lock	3		
30	533-25810-00	CALIPER ASS'Y	1		
31	306-25811-05	. PAD, caliper	2		
32	409-25827-50	. SHIM 1	1		
33	409-25828-50	. SHIM 2	1		
34	306-25829-00	. EMBLEM, caliper	1		
35	306-25824-01	. SCREW, bleed	1		
36	306-25825-01	. CAP	1		
37	856-20000-50	. CALIPER SEAL KIT	1		
38	306-25821-01	. BOLT, bridge 1	1		
39	306-25822-01	. BOLT, bridge 2	1		
40	306-25826-01	. BOLT, bridge 3	2		

Fig. 43 DOUBLE DISK BRAKE

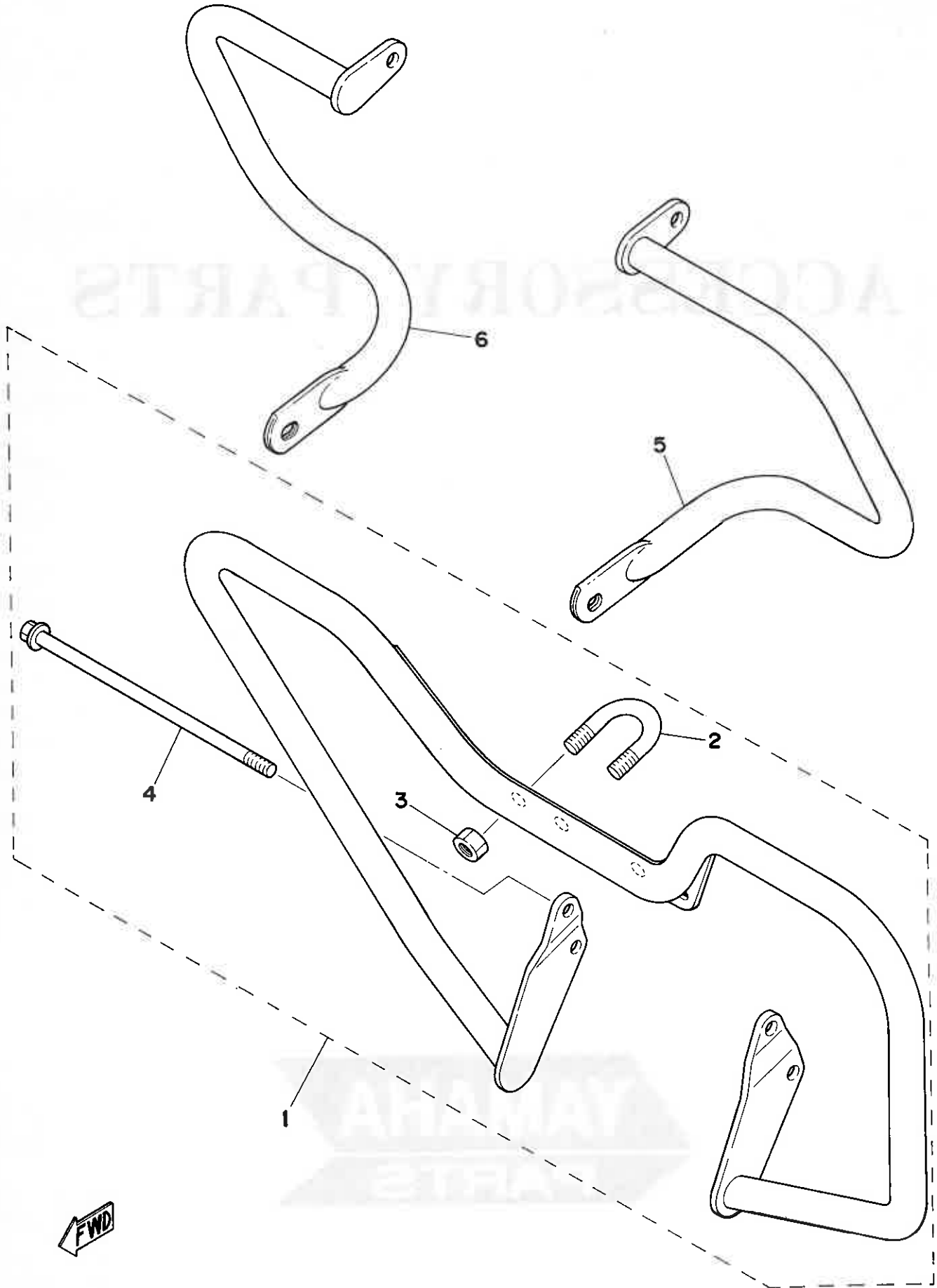


Ref. No.	Parts No.	Description	Q'ty	Applicable Machine No.	Remarks
43-41	90109-10041	BOLT (306-25818-00)	1		
42	92901-10100	WASHER, spring	2		
43	92901-10200	WASHER, plain	2		
44	90176-10013	NUT, cap	1		

ACCESSORY PARTS



Fig. 44 BUMPER



Ref. No.	Parts No.	Description	Q'ty	Applicable Machine No.	Remarks
44- 1	447-00000-10	FRONT BUMPER SET	1		
2	90109-12297	. BOLT	2		
3	90185-12046	. NUT, self locking	4		
4	90105-10045	. BOLT'	1		
5	447-26181-01	BUMPER, safety rear left	1		
6	447-26182-01	BUMPER, safety rear right	1		

NUMERICAL INDEX



NUMERICAL INDEX

Ref No.	Parts No.	Ref No.	Parts No.	Ref No.	Parts No.
33-24	102-18416-00	32-12	174-24741-00	4- 9	256-11681-00
40-26	120-82131-00	36-19	195-84325-00	3- 3	256-12116-01
		36-16	198-84334-60	3- 7	256-12117-00
27-30	122-23119-01	20- 6	214-14195-00	3-12	256-12156-01
27-31	122-23129-00	15-20	214-15618-00	5-25	256-12231-01
37-13	123-83516-20	11-13	214-16119-00	9-24	256-13161-01
37-16	123-83516-20	11-23	214-16347-01	9-25	256-13165-01
37-22	123-83516-20	11-28	214-16389-00	9- 3	256-13310-02
20-46	127-14134-00	27-20	214-23114-00	9- 4	256-13314-02
20- 8	127-14186-00	27- 5	214-23146-00	9- 2	256-13316-02
11-32	132-16346-00	27- 6	214-23156-00	4-28	256-13324-01
14-12	132-18113-01	29- 6	214-83912-00	9- 7	256-13325-00
31-20	132-24518-00	29-10	214-83913-00	9-13	256-13411-01
13-18	136-18547-00	36- 2	214-84153-60	9-12	256-13414-00
13-13	136-18551-00	38-21	214-84553-01	9-14	256-13417-00
28- 7	136-23415-00	25- 4	240-22127-00	9-18	256-13441-00
41- 9	136-82543-00	40-12	254-82310-60	9-19	256-13445-00
12- 9	137-17427-00-06	9- 1	256-00001-01	9-20	256-13495-00
12- 9	137-17427-00-10	1- 3	256-11133-11	19- 1	256-13556-00
31-18	137-24523-00	1- 3	256-11133-21	20-33	256-14135-00
35-19	148-25359-00	1- 4	256-11134-11	12-15	256-14146-01
40-28	148-82151-00	1- 4	256-11134-21	20-67	256-14197-01
36- 3	150-84153-00	1-25	256-11146-00	20-37	256-14918-00
33-13	152-25115-00	5- 2	256-11154-00	12-20	256-14919-00
35-48	156-25398-00	5- 3	256-11155-00	20-49	256-14922-01
28- 1	164-23462-00	5- 6	256-11156-00	20-50	256-14934-01
20- 5	168-14190-20	1-26	256-11157-02	12-18	256-14940-01
12-25	168-17424-00	1-31	256-11158-01	20-12	256-14944-24
13- 5	168-18561-00	1-36	256-11169-01	12-12	256-14944-25
26-16	168-21639-00	16-13	256-11198-00	20-12	256-14944-75
27-17	168-23115-00	1- 7	256-11199-00	12-12	256-14944-76
41- 8	168-82540-00	2- 5	256-11351-00	12-21	256-14946-00
41-10	168-82542-10	2-11	256-11395-02	20-40	256-14952-00
29-20	168-83936-01	4- 2	256-11412-01	20-34	256-14954-00
11- 4	170-16164-00	4- 3	256-11422-01	12-13	256-14956-01
11-16	170-16164-00	4- 4	256-11432-02	12-23	256-14958-00
26-11	174-21518-00-93	4-11	256-11561-00	20- 9	256-14984-00

NUMERICAL INDEX

Ref No.	Parts No.	Ref No.	Parts No.	Ref No.	Parts No.
20- 7	256-14985-00	12-28	256-17461-70	35- 4	256-25397-90
20-70	256-14987-00	10- 1	256-17811-01	35-29	256-25412-00
12-14	256-14991-00	10- 9	256-17831-00	35-27	256-25432-20
20-60	256-14997-00	10- 8	256-17837-00	35-27	256-25433-20
9-29	256-15351-00	10- 7	256-17841-01	35-27	256-25434-20
16-22	256-15351-00	10- 4	256-17848-00	35-27	256-25436-20
9-30	256-15353-00	14- 1	256-18101-02	29-22	256-26290-00
16-23	256-15353-00	14-11	256-18111-00-93	29-21	256-26290-10
16-20	256-15362-01	13-27	256-18143-02	24-18	256-27414-00
16-19	256-15395-00	13-10	256-18511-00	6- 7	256-81611-11
18- 8	256-15416-02	13-11	256-18512-00	6- 8	256-81612-11
17- 8	256-15417-01	13-12	256-18513-00	6- 9	256-81613-10
18- 1	256-15421-03	13-16	256-18531-00	6- 4	256-81614-10
17- 6	256-15425-00	13-24	256-18562-00	41-21	256-81615-00
18- 2	256-15451-00	13-25	256-18565-00	5-35	256-81615-10
18- 9	256-15456-00	22- 5	256-21316-01	5-33	256-81621-11
15- 2	256-15654-00	22- 4	256-21317-01	41- 1	256-81625-10
15- 1	256-15660-02	23-22	256-21717-00	5-34	256-81631-10
15- 9	256-15664-01	23- 6	256-21729-00	6- 2	256-81650-11
15- 3	256-15673-00	23- 7	256-21747-00	5-31	256-81651-10
4-26	256-16111-00	28- 2	256-23411-00	5-30	256-81653-10
11- 2	256-16150-01	28- 3	256-23412-00	40-16	256-82370-00
11-22	256-16340-01	28- 4	256-23413-00	39- 4	256-83311-70
11-11	256-16356-00	28- 5	256-23414-00	39-16	256-83311-70
11-26	256-16396-01	28-21	256-23434-01	39- 7	256-83321-00
12- 8	256-17121-00	28-17	256-23442-00-98	38- 3	256-84714-61
12- 5	256-17131-01	31-12	256-24181-01	38- 4	275-84523-60
12- 2	256-17141-01	31-31	256-24512-00	38- 8	275-84526-60
12- 3	256-17154-00-10	31-23	256-24522-00	38-10	275-84527-60
12- 3	256-17154-00-12	31-28	256-24528-00	27- 7	278-23128-50
12-14	256-17221-01	31-27	256-24537-00	27- 4	278-23145-51
12-18	256-17231-03	31-29	256-24543-00	27-29	278-23158-50
12-15	256-17236-00-10	35- 2	256-25304-00	27-28	278-23181-50
12-15	256-17236-00-12	35- 1	256-25311-00	32-13	278-27114-00
12-19	256-17241-01	35-10	256-25315-00	27-15	291-23163-61
12-17	256-17251-03	35-26	256-25367-00	27-18	304-23142-50
12-13	256-17421-00	35- 3	256-25396-90	1- 1	306-11110-05

NUMERICAL INDEX

Ref No.	Parts No.	Ref No.	Parts No.	Ref No.	Parts No.
2- 6	306-11181-00	43-38	306-25821-01	19- 8	341-14453-00
2- 1	306-11311-00	34-17	306-25822-01	20-69	341-14919-00
4- 5	306-11442-03	43-39	306-25822-01	20- 3	341-14941-88
4-10	306-11681-00	34-13	360-25824-00	20-51	341-14991-00
3- 9	306-12151-00	43-35	306-25824-01	15-13	341-15621-00
5-14	306-12213-01	34-14	306-25825-01	11- 6	341-16321-13
20-36	306-14173-00	43-36	306-25825-01	11- 7	341-16325-01
20-39	306-14905-02	34-18	306-25826-01	11- 8	341-16351-01
20-57	306-14964-00	43-40	306-25826-01	11- 5	341-16371-01
20-68	306-14988-00	34-12	306-25829-00	11-20	341-16376-00
16- 1	306-15100-03	43-34	306-25829-00	12- 6	341-17151-03
7-23	306-15431-00	34- 1	306-25831-00	13-22	341-18140-00
7-24	306-15452-00	43-23	306-25831-01	30- 2	341-20000-10
17- 2	306-15461-00	30-26	306-25862-00	43- 2	341-20000-10
7-20	306-15512-00	30-39	306-25881-00	26- 2	341-21513-01
7-12	306-15513-00	43-21	306-25881-00	26- 3	341-21514-01
7-11	306-15514-00	6- 1	306-81600-12	25-10	341-22177-00
7- 5	306-15515-00	6- 3	306-81610-11	25-16	341-22213-20
7-21	306-15517-00	8- 1	306-81800-12	27-21	341-23111-51
7-22	306-15521-00	8- 3	306-81811-10	27-25	341-23167-50
7-10	306-15522-00	8- 4	306-81812-10	28-20	341-23469-00
7- 1	306-15524-00	8-13	306-81823-10	33- 2	341-25104-00
7-18	306-15532-00	8- 5	306-81825-10	33- 1	341-25111-01
7- 7	306-15562-00	8-10	306-81826-10	33-31	341-25118-00
7- 8	306-15563-00	8- 7	306-81827-10	33-19	341-25135-01
7-19	306-15571-00	8- 9	306-81828-10	33-17	341-25137-00
15- 4	306-15641-01	8-11	306-81829-10	33-15	341-25149-00
12-20	306-17211-01	8-15	306-81840-10	33-26	341-25181-01
12- 1	306-17411-00	8- 2	306-81850-10	33-22	341-25191-01
13- 1	306-18540-00	8-12	306-81862-10	33- 3	341-25196-90
13- 3	306-18546-00	8- 8	306-81893-10	33- 4	341-25197-90
27-19	306-23118-60	3- 1	341-12111-02	35-16	341-25351-00
33-25	306-25136-00	3- 8	341-12118-00	35-20	341-25355-00
33-23	306-25138-00	3- 6	341-12119-02	35-40	341-25371-00
34- 9	306-25811-05	3- 2	341-12121-01	35-39	341-25381-00
43-31	306-25811-05	5-19	341-12217-03	35-32	341-25388-01
34-16	306-25821-01	5-21	341-12232-01	35-33	341-25389-00

NUMERICAL INDEX

Ref No.	Parts No.	Ref No.	Parts No.	Ref No.	Parts No.
34- 7	341-25412-00	30-21	341-83925-00	38- 1	371-84710-60
43-29	341-25412-00	30-40	341-83980-30	38- 2	371-84711-60
34- 2	341-25832-01	36- 5	341-84315-40	32- 3	389-24726-00-33
43-24	341-25832-01	36- 8	341-84320-60	32-14	389-24756-00
33-16	341-25846-00	36-14	341-84331-30	34-10	409-25827-50
43- 1	341-25850-10	36-17	341-84397-61	43-32	409-25827-50
30- 1	341-25850-30	38- 5	341-84721-60	34-11	409-25828-50
30-11	341-25852-30	38- 7	341-84722-60	43-33	409-25828-50
43-11	341-25852-30	38- 6	341-84724-60	22-27	435-13474-00
30-13	341-25854-00	38-11	341-84751-61-93	38- 9	437-84525-60
43-13	341-25854-00	22-28	341-85111-00	38-26	438-84517-00
30-12	341-25855-30	38-12	341-85111-60	44- 1	447-00000-10
43-12	341-25855-30	30-28	351-25887-01	1-41	447-11135-00
30-26	341-25862-20	30- 2	360-20000-10	1-19	447-11185-00
30-14	341-25867-00	28-18	360-23441-00-98	1-13	447-11186-00
30-27	341-25872-06	30- 1	360-25850-31	4- 1	447-11400-01
30-27	341-25872-25	30-11	360-25852-30	4-14	447-11549-01
30-36	341-25873-06	30-13	360-25854-00	4-17	447-11610-00
43-15	341-25873-06	30-12	360-25855-01	4-17	447-11610-10
30-31	341-25881-00	30-17	360-83922-01	4-17	447-11610-20
30-33	341-25885-03	4-18	363-11633-00	4-17	447-11610-30
43-14	341-25885-10	39- 6	366-83316-00	4-17	447-11610-40
29- 2	341-26241-20	40- 7	366-83371-51	4-33	447-11630-00
24-14	341-27413-00	21-10	371-14713-00	4-33	447-11630-10
24-13	341-27423-00	21- 9	371-14714-03	4-33	447-11630-20
24-12	341-27451-00	27- 9	371-23156-60	4-33	447-11630-30
40- 2	341-81980-01	27-22	371-23168-60	4-33	447-11630-40
41-12	341-82503-01	27- 8	371-23171-60	4-16	447-11631-01-96
29- 5	341-82911-00	32- 4	371-24726-01	4-16	447-11631-01-97
39- 1	341-83310-72-93	32- 5	371-24728-00	4-16	447-11635-01
39- 2	341-83312-70	33- 9	371-25847-00	4-16	447-11636-01
39-14	341-83312-70	30-32	371-25883-00	4-16	447-11637-01
39- 3	341-83313-70	21-17	371-27114-00	4-16	447-11638-01
39-15	341-83313-70	39- 9	371-82519-00	4-34	447-11650-00
39- 5	341-83333-70	30-42	371-82549-00	4-35	447-11650-10
39-17	341-83333-70	36-18	371-84312-60	4- 6	447-11651-00
37-29	341-83550-00	41-17	371-84708-01	5- 1	447-12170-00

NUMERICAL INDEX

Ref No.	Parts No.	Ref No.	Parts No.	Ref No.	Parts No.
5-10	447-12220-00	23-25	447-21746-00	23-23	447-28100-12
19- 2	447-13555-01	23-14	447-21747-00	5-32	447-81620-10
19- 4	447-13564-00	25- 1	447-22110-00-33	40-29	447-81910-10
19- 3	447-13565-01	25- 5	447-22128-00	41-18	447-81940-10
19- 5	447-13584-00	25- 6	447-22141-00	40- 3	447-81950-10
19-21	447-14412-01	25- 2	447-22184-00	41-14	447-81970-10
19-22	447-14422-01	25-15	447-22211-20	40-17	447-82110-80
19-18	447-14454-00	25-14	447-22212-20	40-20	447-82115-01
19-16	447-14463-01	25-21	447-22311-02-98	40-22	447-82116-00
21- 1	447-14611-02	27-16	447-23116-52	40-21	447-82119-00
21- 2	447-14621-02	27-32	447-23121-51-G3	23- 8	447-82128-00
12-25	447-14926-00	27-14	447-23122-52	40-27	447-82150-00
12-29	447-14979-00	27-33	447-23131-51-G3	40-15	447-82341-00
7- 4	447-15516-00	27-11	447-23141-51	41-13	447-82531-00
7-13	447-15531-00	27-10	447-23170-51	22-26	447-82591-00
15-15	447-15611-00-93	31-16	447-24500-02	29- 4	447-82910-00
11- 1	447-16301-00	31-17	447-24510-02	39-12	447-83330-72-93
11-19	447-16357-00	31-19	447-24524-00	39-19	447-83336-01
14-10	447-17467-02	31-19	447-24524-10	39-13	447-83340-72-93
23- 2	447-21149-00	31-21	447-24525-00	41- 7	447-83350-70
23- 1	447-21170-02-33	31-21	447-24546-00	39-21	447-83368-00
26-22	447-21268-01	31-24	447-24547-00	39-22	447-83369-00
22- 2	447-21314-00	31-24	447-24547-10	40- 8	447-83373-00
22- 3	447-21315-00	32- 1	447-24730-02	37-30	447-83560-00
22-11	447-21318-00	32- 2	447-24731-00	36-20	447-84318-01
22-16	447-21319-00	35-15	447-25321-00	36- 7	447-84322-60
23- 3	447-21344-00	35-13	447-25330-01	36-15	447-84332-60
22-17	447-21387-00	35-18	447-25353-00	36- 6	447-84395-60
26- 1	447-21511-00-93	44- 5	447-26181-01	40-25	449-82122-00
		44- 6	447-26182-01	19-24	533-14441-00
26-14	447-21610-02-93	29-16	447-26335-00	19-19	533-14451-00
26-21	447-21629-01	24-36	447-27231-02	19-20	533-14468-02
26-15	447-21638-00	24-10	447-27410-00	27-12	533-23124-31
23- 9	447-21711-01-G3	24-11	447-27420-00	27-23	533-23340-00-33
23-20	447-21714-01	24-24	447-27431-00	34- 8	533-25810-10
23-13	447-21717-00	24-26	447-27433-00	43-30	533-25810-00
23-11	447-21721-01-G3	24-25	447-27441-00	30-38	533-25871-00

NUMERICAL INDEX

Ref No.	Parts No.	Ref No.	Parts No.	Ref No.	Parts No.
43-22	533-25871-00	20-53	584-14977-00	37-18	584-83513-00
43-18	533-25875-00	20-52	584-14979-00	37- 1	584-83519-00
30-37	533-25876-00	20-10	584-14981-00	37-26	584-83523-00
29- 1	533-26111-21	20-55	584-14991-00	37-15	584-83540-70
29-16	533-26335-20	20-62	584-14992-00	37- 2	584-83568-00
24-32	533-27211-00-93	22- 1	584-21110-00-33	37- 3	584-83569-00
24-33	533-27212-00	23-10	584-21784-10	37-11	584-83570-70
41- 5	533-82517-00	23-12	584-21786-10	37-14	584-83571-00
41-11	533-82530-00	25-13	584-22210-20	37-23	584-83572-00
36- 1	533-84330-40-G3	27- 1	584-23101-51	37-17	584-83573-00
36- 9	533-84394-40	27- 2	584-23126-50	37-12	584-83578-70
1-35	584-11108-00	27- 3	584-23136-50	29-12	584-83963-00
1-38	584-11166-00	27-13	584-23144-50	29- 3	584-83973-00
5-15	584-12211-00	22-21	584-23408-00	36- 4	584-84310-60
12-19	584-14116-01	28- 9	584-23435-00-98	15- 6	611-45567-00-01
20-11	584-14142-25	22-22	584-23484-00	15- 6	611-45567-00-03
12-24	584-14146-00	31- 1	584-24110-00-02	15- 6	611-45567-00-05
20-32	584-14171-00	31- 2	584-24244-10	31-30	801-24437-00
20-35	584-14176-00	31- 3	584-24245-10	34-15	856-20000-50
20-64	584-14243-00	31- 4	584-24246-10	43-37	856-20000-50
19-10	584-14411-00	31- 5	584-24247-10	13-26	90101-06091
19-11	584-14421-00	31- 6	584-24602-00	35-21	90101-06225
17- 1	584-14511-00	32-10	584-24708-00	35-34	90101-08034
21- 7	584-14711-00	29- 1	584-26111-00-93	35-28	90105-10007
21- 8	584-14721-00	29-13	584-26240-20	22-14	90105-10039
20- 8	584-14901-00	29-14	584-26293-01	22-20	90105-10041
20- 2	584-14902-00	29-15	584-26311-00	22-12	90105-10043
20-54	584-14905-00	29-15	584-26311-20	22-13	90105-10044
12-28	584-14907-00	24- 1	584-27111-00	44- 4	90105-10045
20-47	584-14923-00	24- 5	584-27311-00	21-12	90105-10058
20-56	584-14931-00	24-22	584-27432-00	25-20	90106-10025
12-22	584-14933-00	24-23	584-27442-00	28-16	90106-14017
20-61	584-14934-00	41- 4	584-82508-40	38-22	90109-06017
20-63	584-14937-00	37-31	584-82519-00	34- 3	90109-06018
20-43	584-14938-00	40- 1	584-82590-60	43-25	90109-06018
20-38	584-14955-00	37-24	584-83507-00	5-17	90109-06019
20-48	584-14969-00	37-25	584-83508-00	10- 5	90109-06076

NUMERICAL INDEX

Ref No.	Parts No.	Ref No.	Parts No.	Ref No.	Parts No.
29- 9	90109-06103	3-10	90149-08098	40-30	90201-06052
13-23	90109-06181	14- 4	90149-10018	23-17	90201-06063
24- 6	90109-08185	9-23	90149-10019	25-24	90201-06066
35-41	90109-08338	24-46	90153-06008	36-28	90201-06066
34- 6	90109-08367	30-19	90170-06010	26-25	90201-06067
43-28	90109-08367	24-45	90170-06184	31-15	90201-06075
35-46	90109-08374	35-47	90170-08157	37- 9	90201-06076
8-16	90109-08393	35-35	90170-08158	24-38	90201-08083
34-19	90109-10041	35-44	90170-08158	28-12	90201-08083
43-41	90109-10041	3-11	90170-08173	40-11	90201-08107
24- 2	90109-10268	4-23	90170-12064	27-27	90201-08544
26-17	90109-10349	4-30	90170-14076	35-42	90201-08600
22-19	90109-10388	25- 8	90170-14174	21-16	90201-09116
44- 2	90109-12297	11-12	90170-18089	1-10	90201-10004
13-21	90109-16392	33-33	90171-14006	30-25	90201-10118
5-22	90109-18307	35-36	90171-18008	43-17	90201-10118
28-19	90110-08010	16-14	90176-08019	30-41	90201-10128
11-24	90113-08021	1- 8	90176-10008	1- 9	90201-10131
1-16	90116-06016	24-21	90176-10013	25-17	90201-10142
1-15	90116-06017	25-19	90176-10013	28-23	90201-10149
16-10	90116-08047	26-20	90176-10013	24-19	90201-10437
16-12	90116-08055	34-22	90176-10013	28-22	90201-12196
16-11	90116-08066	43-44	90176-10013	24-30	90201-13502
1-21	90116-08150	5-24	90176-18021	14- 8	90201-14220
16- 4	90116-08196	24-42	90179-06176	26-18	90201-15239
16- 6	90116-08197	29-18	90179-08041	15-18	90201-17256
16- 5	90116-08198	11-25	90179-08179	7- 6	90201-17257
16- 7	90116-08199	12-30	90179-22022	12-21	90201-20266
2- 3	90116-10108	28- 8	90179-25033	33-18	90201-25286
21- 4	90116-10195	22- 7	90185-08054	11-17	90201-25290
27-24	90119-08012	27-26	90185-08054	15-10	90201-25290
29-17	90123-08053	22-15	90185-10035	33-20	90201-25490
30-18	90146-06005	24- 3	90185-10035	31-33	90202-06010
1-28	90147-06001	24-31	90185-12046	22-23	90206-04003
5-11	90149-06009	44- 3	90185-12046	7-15	90206-12034
31-32	90149-06011	24-17	90201-06042	35-17	90206-14020
11-10	90149-06077	40- 6	90201-06052	23-18	90209-06044

NUMERICAL INDEX

Ref No.	Parts No.	Ref No.	Parts No.	Ref No.	Parts No.
38-16	90209-06095	33-29	90387-17433	13-19	90501-10068
39- 8	90209-08028	35-22	90387-20166	24-40	90501-10245
39-18	90209-08098	35-25	90387-20176	30-20	90501-10312
28-15	90209-14023	35-38	90387-20444	5-20	90501-14095
24-29	90209-18070	12-26	90387-30200	15-17	90501-15091
4- 8	90209-26014	9-27	90401-10004	7- 2	90501-16395
4-27	90214-16001	30-24	90401-10034	23-19	90501-18205
34- 4	90215-06106	43-16	90401-10034	11- 9	90501-23142
43-26	90215-06106	5-26	90430-06014	3- 5	90501-29284
25-27	90215-06117	10- 6	90430-06014	3- 4	90501-42286
14- 5	90215-10105	18- 7	90430-06014	22-25	90502-08005
25- 7	90215-14055	9-28	90430-10027	19- 9	90506-06006
12-29	90215-26024	2-12	90430-11033	19-17	90506-06095
11-29	90240-06005	9-26	90430-14043	14- 2	90506-08007
24-41	90240-08012	13-20	90430-16047	11-31	90506-10023
24-16	90243-08006	16-21	90430-29050	24-34	90506-23046
31- 9	90249-03123	21- 3	90430-38054	24- 4	90506-50064
13-14	90249-08001	40-18	90445-08048	35-14	90507-20002
24-37	90249-12008	31-34	90445-08079	24- 9	90507-29009
22-24	90269-04003	21-11	90460-46057	24-15	90508-20023
9- 6	90280-03023	19- 7	90460-58015	14- 3	90508-32053
4-24	90280-04005	26-29	90464-04014	15- 8	90508-32062
4-32	90282-07006	31-36	90467-08003	33-12	90560-17126
13-17	90334-10007	1-40	90467-14011	35- 9	90560-20135
29-19	90338-09012	32- 9	90468-10050	15- 7	90560-25048
30-23	90338-09012	28-26	90468-12006	11-15	90560-25131
1-33	90338-12044	15- 5	90468-26044		
3-14	90340-18017	7- 3	90468-29062	38-15	91203-06025
40-19	90386-07043	23-15	90480-14102	19- 6	91316-06020
25- 3	90386-22029	25-22	90480-14102	17- 4	91316-06025
37-10	90387-06249	26-23	90480-14102	18- 6	91316-06025
36-24	90387-06388	36-25	90480-14102	18-10	91316-06025
23-16	90387-07390	38-18	90480-14102	17- 5	91316-06040
25-23	90387-07390	26-28	90480-15061	18- 5	91316-06040
26-24	90387-07390	31-35	90501-06028	1-37	91316-06060
38-17	90387-07390	9-21	90501-07031	18- 4	91316-06075
7-16	90387-12093	1-39	90501-08046	11-30	91401-10010

NUMERICAL INDEX

Ref No.	Parts No.	Ref No.	Parts No.	Ref No.	Parts No.
24-27	91401-16012	37- 5	92901-04100	41-20	92901-06100
24-39	91401-20012	31-26	92901-04500	43-20	92901-06100
35-45	91401-20015	12-27	92901-05100	1-27	92901-06200
24- 8	91401-20018	22-29	92901-05100	5-18	92901-06200
13-15	91401-25025	31- 8	92901-05100	19-13	92901-06200
33-27	91401-30030	36-11	92901-05100	36-23	92901-06200
35-37	91401-40035	22-30	92901-05200	37-21	92901-06200
32- 8	91501-05055	37-27	92901-05200	1-29	92901-06500
24-28	91501-06035	13- 7	92901-05300	37-32	92901-06600
23-21	91609-25015	5- 9	92901-06100	8-18	92901-08100
16- 2	91810-05016	5-13	92901-06100	25-12	92901-08100
17- 3	91810-05016	6-14	92901-06100	26-10	92901-08100
18- 3	91810-05016	9- 9	92901-06100	33-11	92901-08100
1- 5	91810-16016	9-16	92901-06100	35-43	92901-08100
2- 2	91810-16016	19-15	92901-06100	39-10	92901-08100
1-32	91903-06020	20-66	92901-06100	40-10	92901-08100
41- 2	92501-06008	23- 5	92901-06100	41-15	92901-08100
5-12	92501-06015	26-12	92901-06100	1-12	92901-08200
41-19	92501-06015	26-26	92901-06100	8-19	92901-08200
7-17	92501-06018			16- 8	92901-08200
36-21	92501-06018	30-16	92901-06100	16-18	92901-08200
7-14	92501-06020	30-29	92901-06100	38-23	92901-08200
9-10	92501-06020	30-35	92901-06100	21-14	92901-10100
26-27	92501-06025	31-14	92901-06100	22- 9	92901-10100
40- 4	92501-06025	32- 7	92901-06100	24-20	92901-10100
40-31	92501-06025	32-15	92901-06100	28-24	92901-10100
6-13	92501-06075	36-22	92901-06100	34-20	92901-10100
33-10	92501-08015	36-27	92901-06100	43-42	92901-10100
1-30	92701-06015	37- 8	92901-06100	34-21	92901-10200
32-11	92706-06012	37-20	92901-06100	43-43	92901-10200
6- 6	92901-04100	38-19	92901-06100	4-22	92901-12100
6-11	92901-04100	38-24	92901-06100	4-29	92901-14100
12-17	92901-04100	40- 5	92901-06100	33-32	92901-14200
20-31	92901-04100	40-13	92901-06100	11-14	92901-18200
20-45	92901-04100	40-24	92901-06100	20-58	92902-08100
20-41	92901-04100	40-32	92901-06100	38-14	92903-05100
36-13	92901-04100	41- 3	92901-06100	24-44	92903-06100

