

# **YAMAHA**

## **PARTS LIST**

**MODEL XS1**

**MODEL XS1F**

**MODEL XS2**

**Andreas Clausnitzer**  
Lindener Straße 123  
44879 Bochum





**XS2**



**XS2**

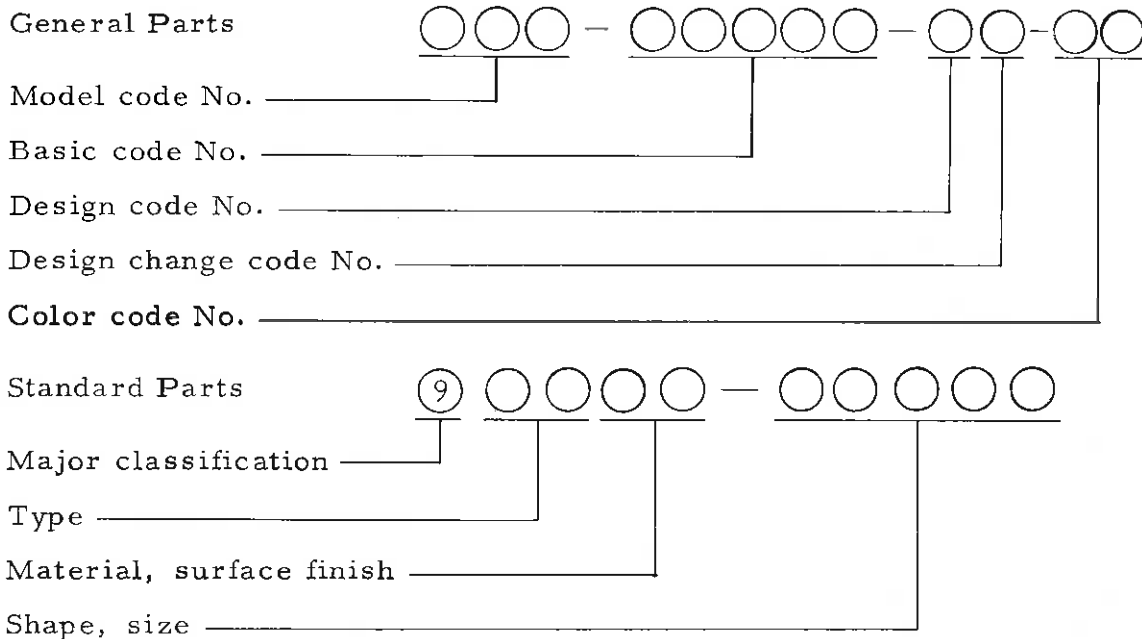


# FOREWORD

This Parts List relates to the parts in use for the Yamaha XS1/XS1F/XS2. When you are ordering replacement parts for the XS1/XS1F/XS2, refer to this Parts List and quote both part numbers and part names correctly.

## 1. Structure of Part No.

Yamaha parts are divided largely into two categories; general parts and standard parts, and each part No. has the following structure:



Note: Every standard No. begins with 9.

## 2. How to Use this Parts List

(1) Except for steel balls (whose size is indicated in inches), the size of all parts is indicated in millimeters in the following manner.

- Pipe (rubber or vinyl) . . . . Inside diameter - length
- O-ring . . . . . Section area - inside diameter
- Washer, shim, collar . . . . Inside diameter - outside diameter - thickness (length)

(2) Parts, which are to be supplied in the form of assemblies, are listed with an indentation of one letter's space, and a dot (.) is put

against the name of each part. If any two different assemblies (e.g., right and left side components) consist of almost the same type components, these two assemblies are listed in two lines, and then the names of component parts are listed in the subsequent lines with an indentation as mentioned earlier. The quantity of parts is given in the following manner; that is, in the case of parts being the same in type between the right and left, a total quantity of parts is given. On the other hand, if the right and left side parts are different in type, the quantity of part(s) on each side is given.

Example

Description	Q'ty
CARBURETOR ASS'Y, left	1
CARBURETOR ASS'Y, right	1
. JET, pilot	2
. NOZZLE, main	2
⋮	
. LEVER, starter, left	1
. LEVER, starter, right	1

(3) Key to Symbols

- U.R.   ⋯⋯⋯ Use size (thickness) and/or number as required
- T     ⋯⋯⋯ Number of teeth in a gear
- V     ⋯⋯⋯ Voltage for light bulbs
- S     ⋯⋯⋯ "S" type oil seal or "S" type circlip
- SD    ⋯⋯⋯ "SD" type oil seal
- SO    ⋯⋯⋯ "SO" type oil seal
- SW    ⋯⋯⋯ "SW" type oil seal
- E     ⋯⋯⋯ "E" type circlip
- R     ⋯⋯⋯ "R" type circlip
- F/No. ⋯⋯⋯ Frame No. (Applicable machine No.)

- (4) The right and left in relation to parts are determined on the basis of the rider facing toward the front.
- (5) This Parts List is based on the model in the production line on July 1, 1971. Accordingly, if any modifications which have been made to parts will be announced in the Yamaha Parts News. It is advisable that according to the Yamaha Parts News, You will make necessary corrections to the Parts List on hand to keep it up-to dated.





# CONTENTS

## ENGINE

Fig. 1	Cylinder Head · Cylinder Head Cover .....	1
Fig. 2	Cylinder · Decompression .....	7
Fig. 3	Crankcase .....	11
Fig. 4	Crankcase Cover (left) .....	15
Fig. 5	Crankcase Cover (right) .....	17
Fig. 6	Crank · Piston .....	19
Fig. 7	Gear Train (XS2) .....	25
Fig. 8	Cam Shaft · Chain Tensioner .....	29
Fig. 9	Valve .....	33
Fig. 10	Oil Pump .....	35
Fig. 11	Clutch .....	39
Fig. 12	Transmission .....	43
Fig. 13	Shifter A .....	47
Fig. 14	Shifter B .....	51
Fig. 15	Tachometer Gear .....	53
Fig. 16	Startor .....	55
Fig. 17	Intake .....	59
Fig. 18	Carburetor (XS1 · XS1F) .....	61
Fig. 19	Carburetor (XS2) .....	69
Fig. 20	Exhaust .....	75
Fig. 21	A. C. Generator .....	79

## CHASSIS

Fig. 22	Frame · Engine Bracket .....	83
Fig. 23	Side Cover · Box Comp. .....	87
Fig. 24	Rear Arm · Rear Cushion · Chain Case .....	91
Fig. 25	Stand · Footrest · Brake Pedal .....	95
Fig. 26	Front Fender · Rear Fender (XS1 · XS1F) .....	101

Fig. 27	Front Fender · Rear Fender (XS2)	105
Fig. 28	Front Fork (XS1)	109
Fig. 29	Front Fork (XS1F)	113
Fig. 30	Front Fork (XS2)	117
Fig. 31	Steering	121
Fig. 32	Handle · Wires	125
Fig. 33	Fuel Tank	133
Fig. 34	Seat	137
Fig. 35	Master Cylinder · Caliper (XS2)	139
Fig. 36	Front Wheel (XS1, XS1F)	145
Fig. 37	Front Wheel (XS2)	151
Fig. 38	Rear Wheel	155
Fig. 39	Head Lamp	159
Fig. 40	Speedometer · Tachometer	163
Fig. 41	Tail Lamp	165
Fig. 42	Flasher Lamp	167
Fig. 43	Electric Motor (XS2)	171
Fig. 44	Electrical	173

## NUMERICAL INDEX

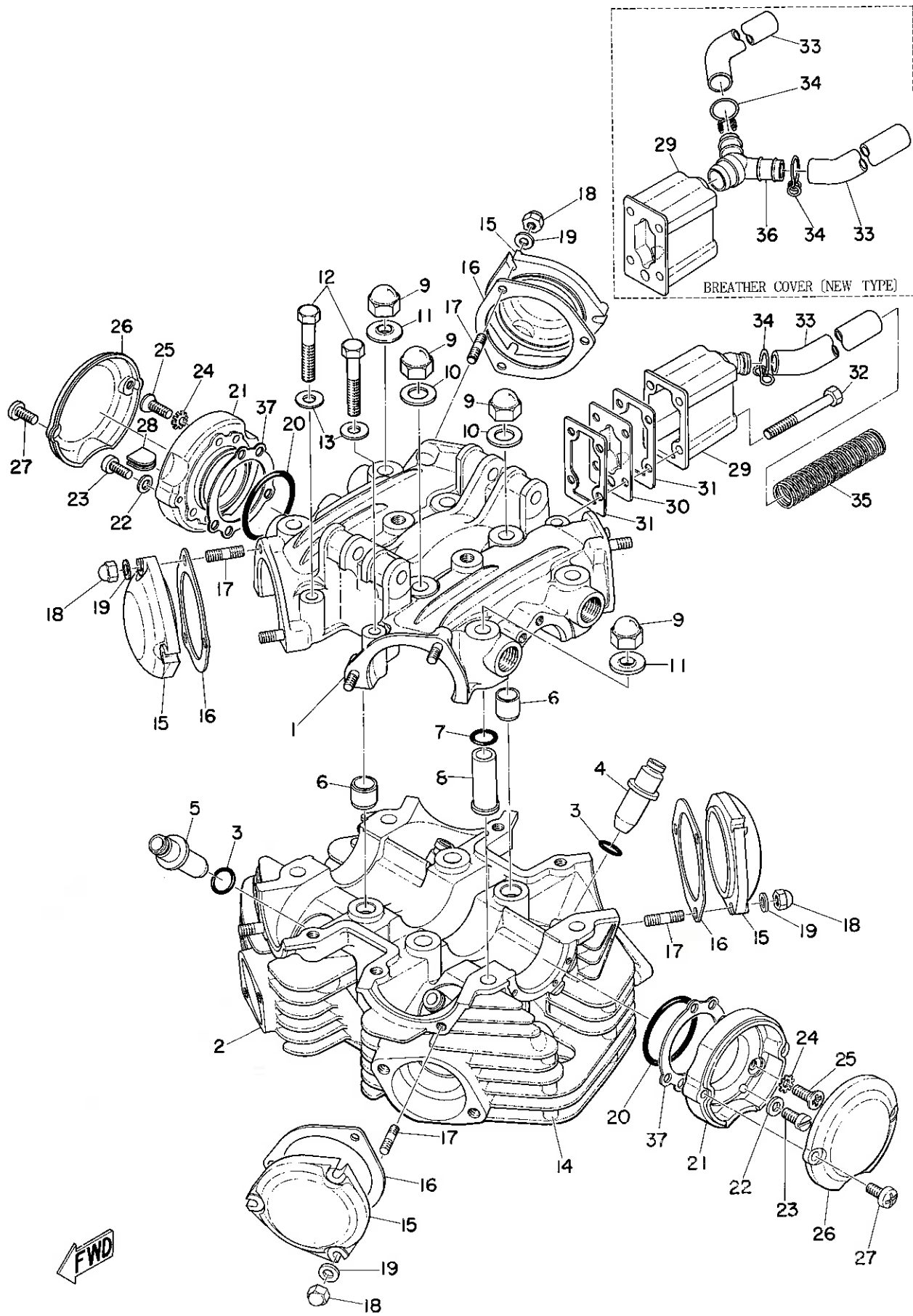
# ENGINE







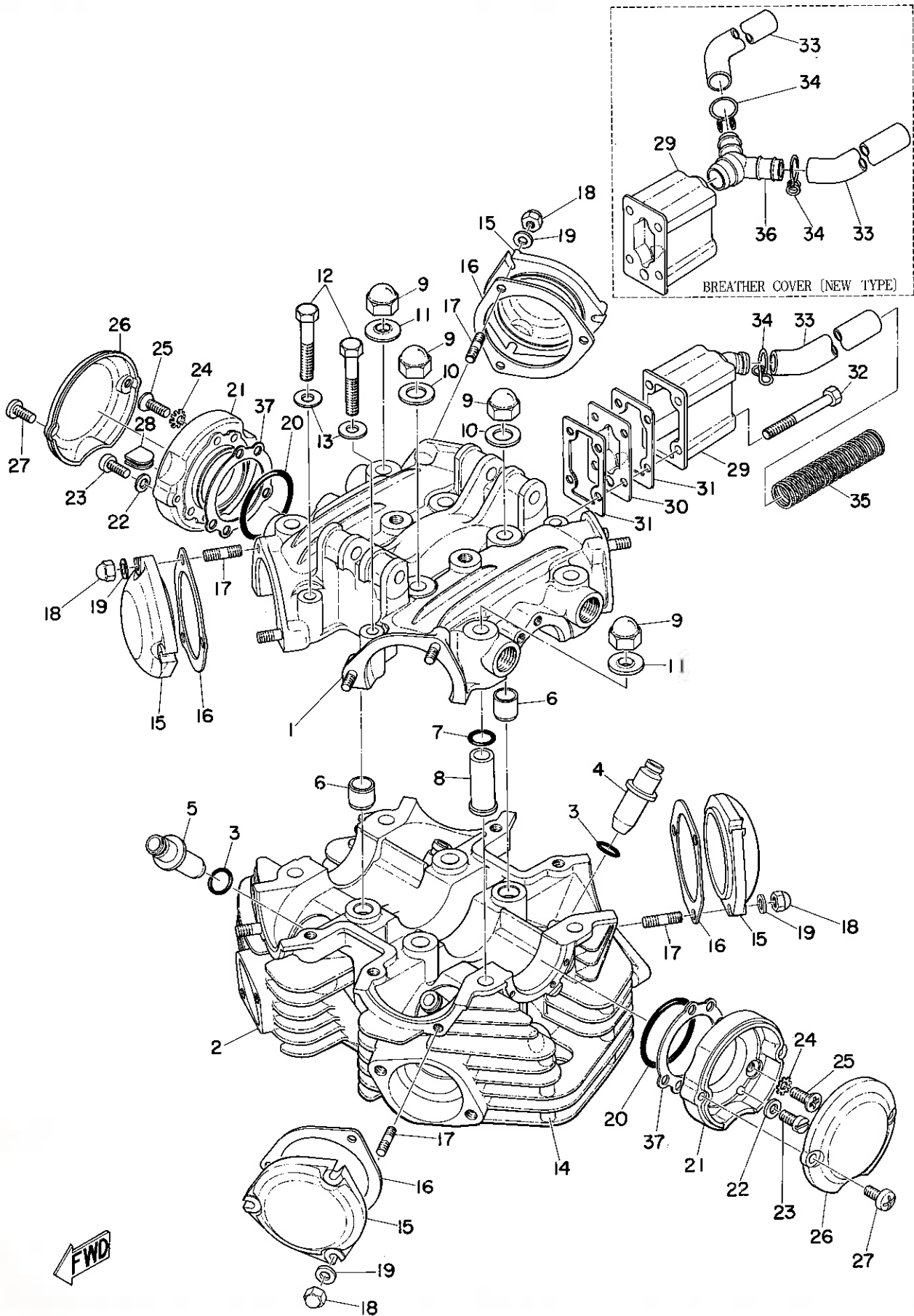
Fig. 1 CYLINDER HEAD · CYLINDER HEAD COVER



# CYLINDER HEAD · CYLINDER HEAD COVER

Ref. No.	Parts No.	Description	Q'ty			Applicable Machine No.	Remarks
			XS1	XS1F	XS2		
1- 0-1	256-11110-10	CYLINDER HEAD ASS'Y	....	1	1		Unified to 256-13
	256-11110-12	CYLINDER HEAD ASS'Y	....		1	015654~	Unified to 256-13
	256-11110-13	CYLINDER HEAD ASS'Y	....		1		
	306-11110-00-94	CYLINDER HEAD ASS'Y	....			1	
1- 1	256-11191-00	. COVER, cylinder head	....	1	1		Not for sale
	256-11191-01	. COVER, cylinder head	....		1	015654~	Not for sale
	306-11191-00-94	. COVER, cylinder head	....			1	Not for sale
1- 2	256-11111-10	. HEAD, cylinder	.....	1	1		Not for sale
	256-11111-12	. HEAD, cylinder	.....		1	015654~	Not for sale
	306-11111-00-94	. HEAD, cylinder	.....			1	Not for sale
1- 3	93210-15151	. . O-RING (1.5-14.5)	.....	4	4	4	
1- 4	256-11133-00	. . BUSHING, valve guide intake (STD)	.....	2	2	2	Not for sale
	256-11133-10	. . BUSHING, valve guide intake (1st O.S.)	.....	2	2	2	Alternate parts
	256-11133-20	. . BUSHING, valve guide intake (2nd O.S.)	.....	2	2	2	Alternate Parts
1- 5	256-11134-00	. . BUSHING, valve guide exhaust (STD)	.....	2	2	2	Not for sale
	256-11134-10	. . BUSHING, valve guide exhaust (1st O.S.)	.....	2	2	2	Alternate parts
	256-11134-20	. . BUSHING, valve guide exhaust (2nd O.S.)	.....	2	2	2	Alternate parts
1- 6	91800-16016	. PIN, dowel (12.3-15-16)	...	2	2	2	
1- 7	93210-12152	O-RING (1.8-15.1)	.....	4	4	4	
1- 8	256-11199-00	SLEEVE, cylinder head cover	....	4	4	4	
1- 9	256-11171-00	NUT, holding	.....	8	8	8	
1-10	92901-10200	WASHER, plain	.....	4	4	4	
1-11	256-11173-02	WASHER, sealing	.....	4	4	4	

Fig. 1 CYLINDER HEAD · CYLINDER HEAD COVER

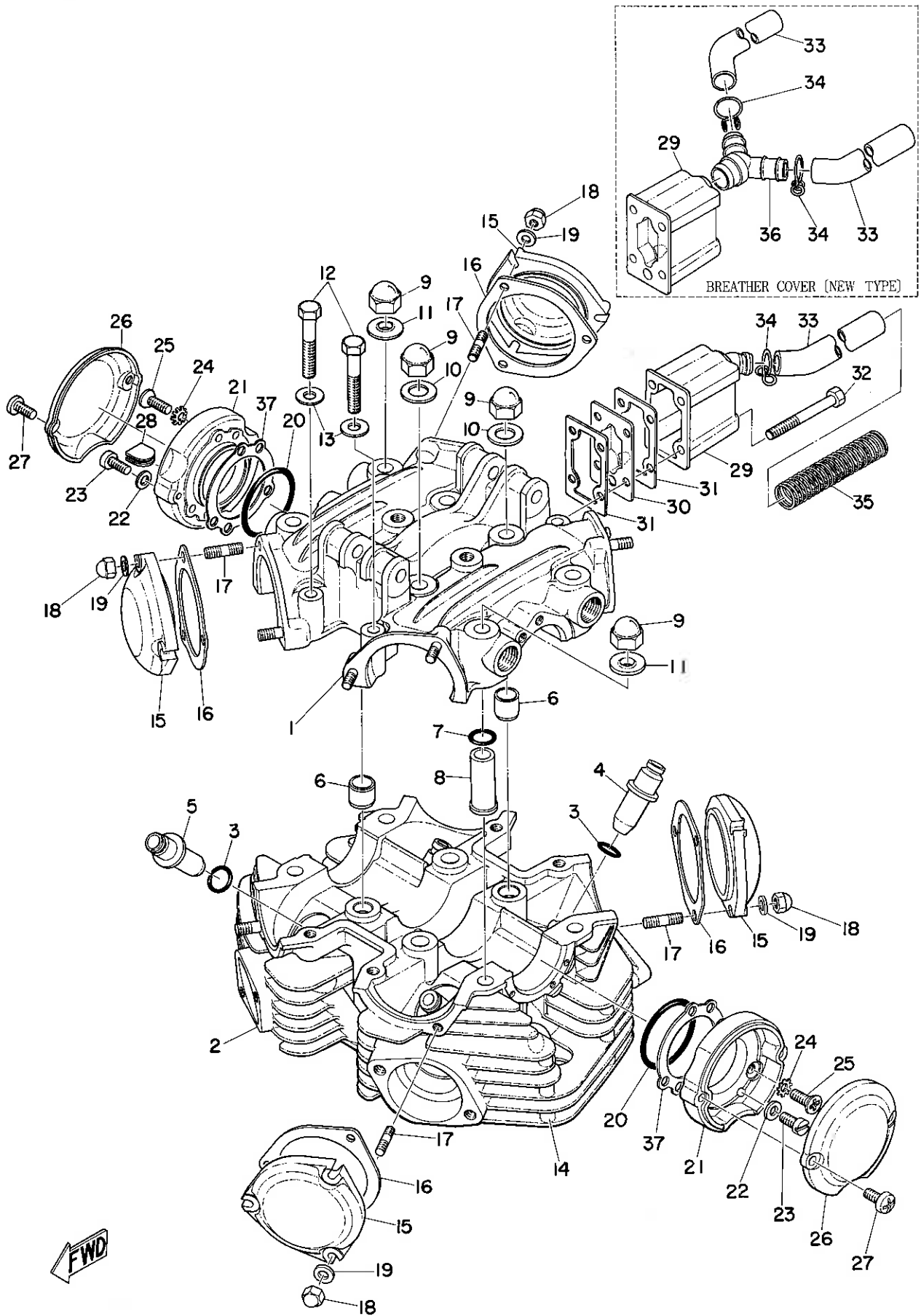




# CYLINDER HEAD · CYLINDER HEAD COVER

Ref. No.	Parts No.	Description	Q'ty			Applicable Machine No.	Remarks
			XS1	XS1F	XS2		
1-12	97203-08050	BOLT .....	4	4			
	97203-08060	BOLT .....			4		
1-13	92903-08200	WASHER, plain .....	4	4	4		
1-14	256-11161-00	ABSORBER 1 .....				] U.R. 2	
	256-11162-00	ABSORBER 2 .....					
1-15	256-11186-00	COVER, cylinder head side 1	4	4	3	447 4 SK.	
I-16 <sup>a</sup>	93210-62451	O-Ring Vanhilddeckel					
1-16	256-11196-01	GASKET, cover cylinder head side 1 .....	4	4	3		
1-17	256-11179-00	BOLT, stud .....	12	12	9		
1-18	98803-06700	NUT, crown .....	12	12	9		
1-19	92903-06200	WASHER, plain .....	12	12	9		
1-20	93210-45150	O-RING (2.3-45) .....	2	2	2		
1-21	256-11157-00	COVER, breaker 1 .....	2	2			
	256-11157-01	COVER, breaker 1 .....		2	2	016844~	
1-22	92901-06200	WASHER, plain .....	2	2	2		
1-23	256-11151-00	SCREW, breaker plate .....	2	2	2		
1-24	92901-06500	WASHER, tooth .....	6	6	6		
1-25	92701-06015	SCREW, flat head .....	6	6	6		
1-26	256-11158-00	COVER, breaker 2 .....	2			Interchangeable with new one	
	256-11158-01	COVER, breaker 2 .....	2	2	2		001587~
1-27	98903-06020	SCREW, blind .....	4	4	4		
1-28	256-11159-00	PLUG, blind .....	1	1	1		
1-29	256-11108-00	BREATHER COVER ASS'Y ...	1	1		Unified to 256-02	
	256-11108-01	BREATHER COVER ASS'Y ...		1			009685~
	256-11108-02	BREATHER COVER ASS'Y ...		1	1		

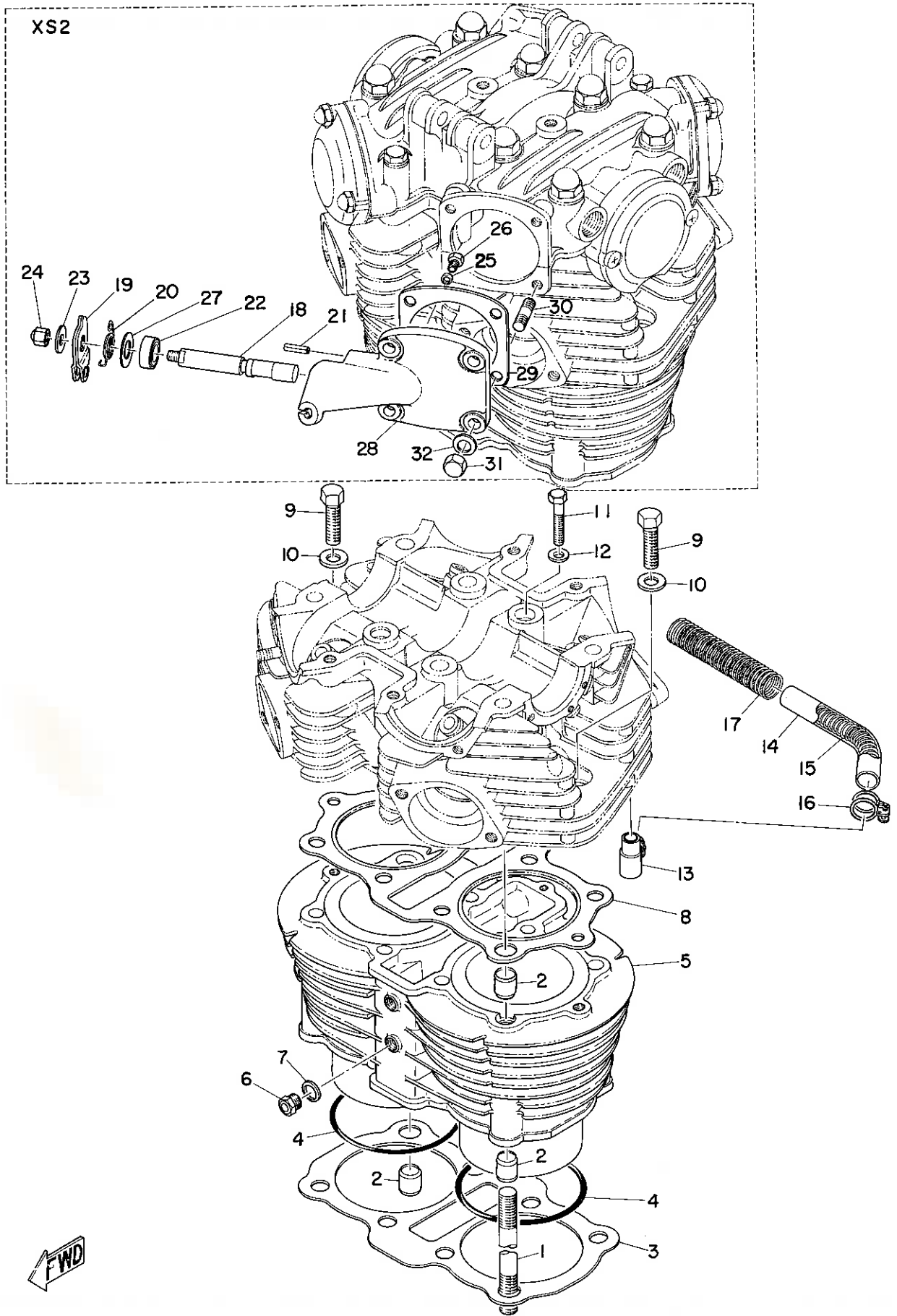
Fig. 1 CYLINDER HEAD · CYLINDER HEAD COVER



# CYLINDER HEAD · CYLINDER HEAD COVER

Ref. No.	Parts No.	Description	Q'ty			Applicable Machine No.	Remarks
			XS1	XS1F	XS2		
1-30	256-11165-00	PLATE, breather	1	1			
	256-11165-01	PLATE, breather	1	1		Not for sale	
1-31	256-11169-00	GASKET, breather cover	2	2			
	256-11169-00	GASKET, breather cover	1	1			
1-32	91201-06060	BOLT	4	4	4		
1-33	256-11166-00	PIPE, breather 1 (12-600)	1	1			
	256-11166-00	PIPE, breather 1 (12-600)	2	2		009685~	
1-34	256-11189-00	CLIP, pipe	1	1			
	256-11189-00	CLIP, pipe	2	2		009685~	
1-35	256-14474-00	SPRING, balance pipe outer	2			007344~	
1-36	256-11167-02	PIPE, breather 2	1	1		009685~	
1-37	256-11146-00	GASKET, breaker cover	2	2		016844~	

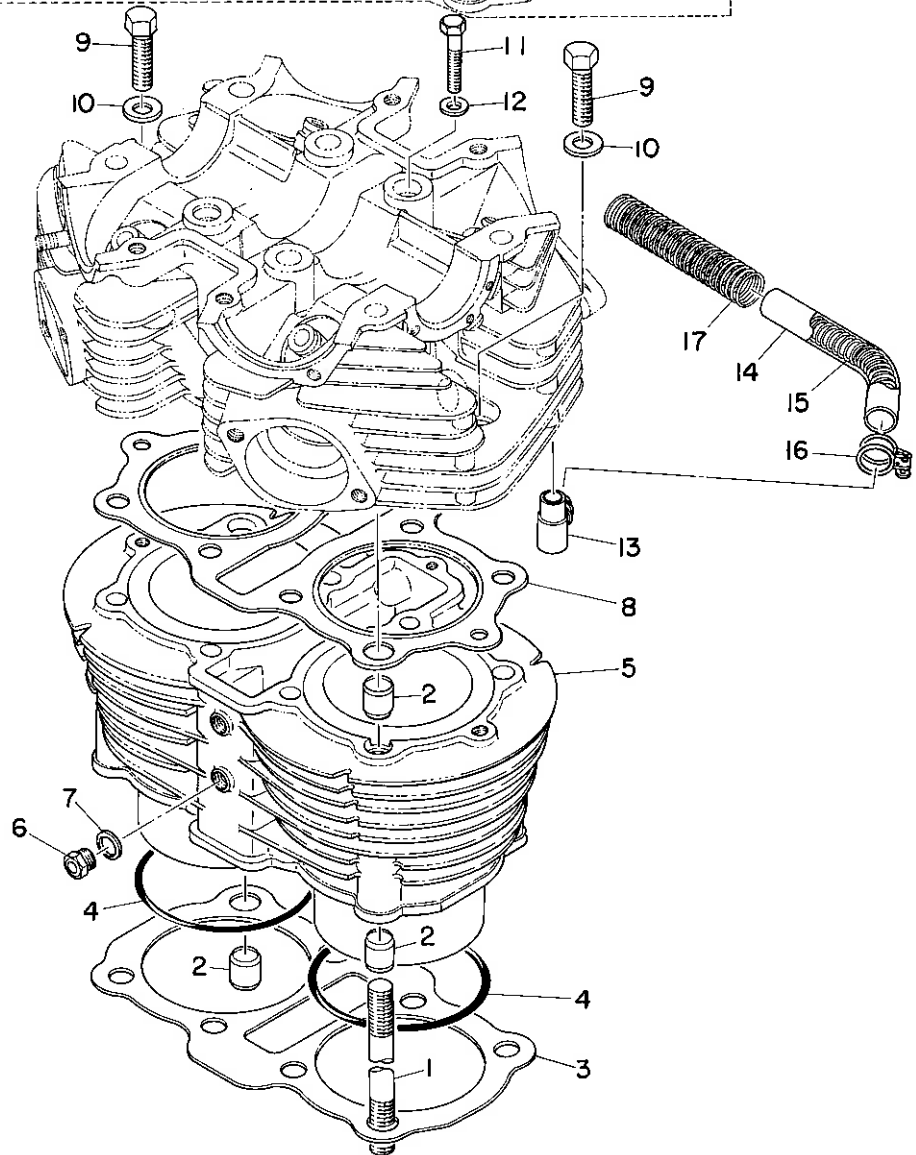
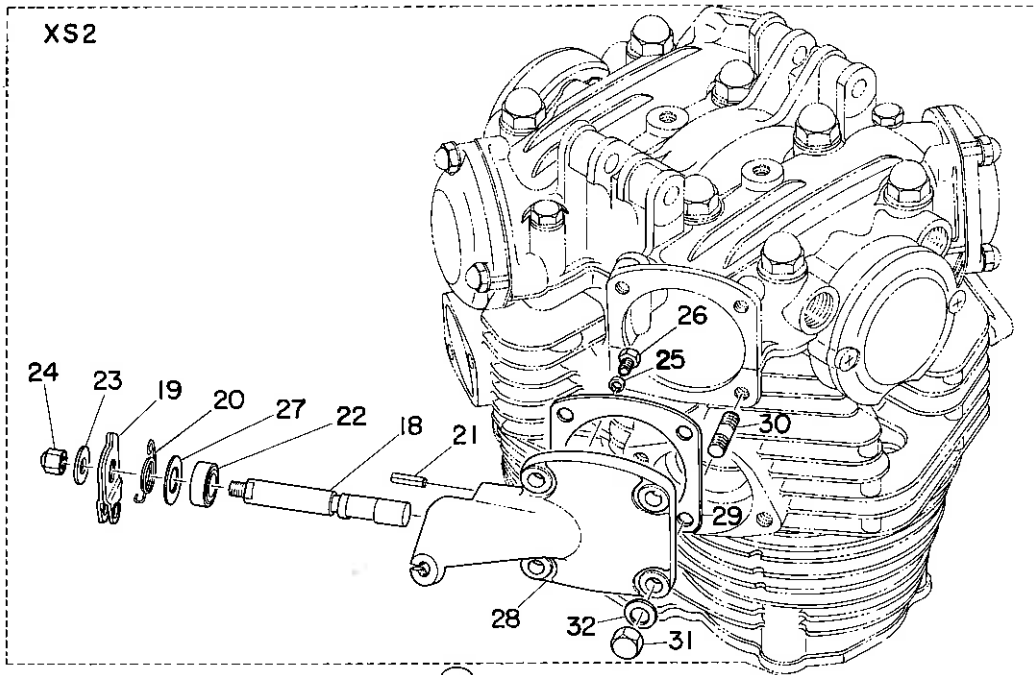
Fig. 2 CYLINDER · DECOMPRESSION



# CYLINDER · DECOMPRESSION

Ref. No.	Parts No.	Description	Q'ty			Applicable Machine No.	Remarks
			XS1	XS1F	XS2		
2- 1	256-11361-00	BOLT, cylinder holding	8	8	8		
2- 2	91800-16016	PIN, dowel (12.3-15-16)	4	4	4		
2- 3	256-11351-00	GASKET, cylinder	1	1	1		
2- 4	93210-82153	O-RING (1.9-81.5)	2	2	2		
2- 5	256-11311-00	CYLINDER	1			Interchangeable with new one	
	256-11311-01	CYLINDER	1	1	002487~		
	306-11311-00	CYLINDER			1		
2- 6	256-11395-00	HOLDER	2				
	256-11395-01	HOLDER	2	2	002487~		
	256-11395-02	HOLDER		2	2		
2- 7	256-11397-00	GASKET	2	2	2		
2- 8	256-11181-01	GASKET, cylinder head	1	1			
	306-11181-00	GASKET, cylinder head			1		
2- 9	97103-08035	BOLT	2	2	2		
2-10	92903-08200	WASHER, plain	2	2	2		
2-11	91103-06035	BOLT	1	1	1		
2-12	92903-06200	WASHER, plain	1	1	1		
2-13	256-14465-00	PIPE, balance 1	2	2			
2-14	256-14466-00	PIPE, balance 2 (12-120)	1	1			
2-15	256-14464-00	SPRING, balance pipe 2	1	1			
2-16	256-11188-00	CLIP, pipe	2	2			
2-17	256-14474-00	SPRING, balance pipe outer		1	1	007344~	
2-18	306-12288-00	CAM, decompression			1		
2-19	306-12282-00	LEVER, decompression			1		
2-20	306-12287-00	SPRING, decompression			1		

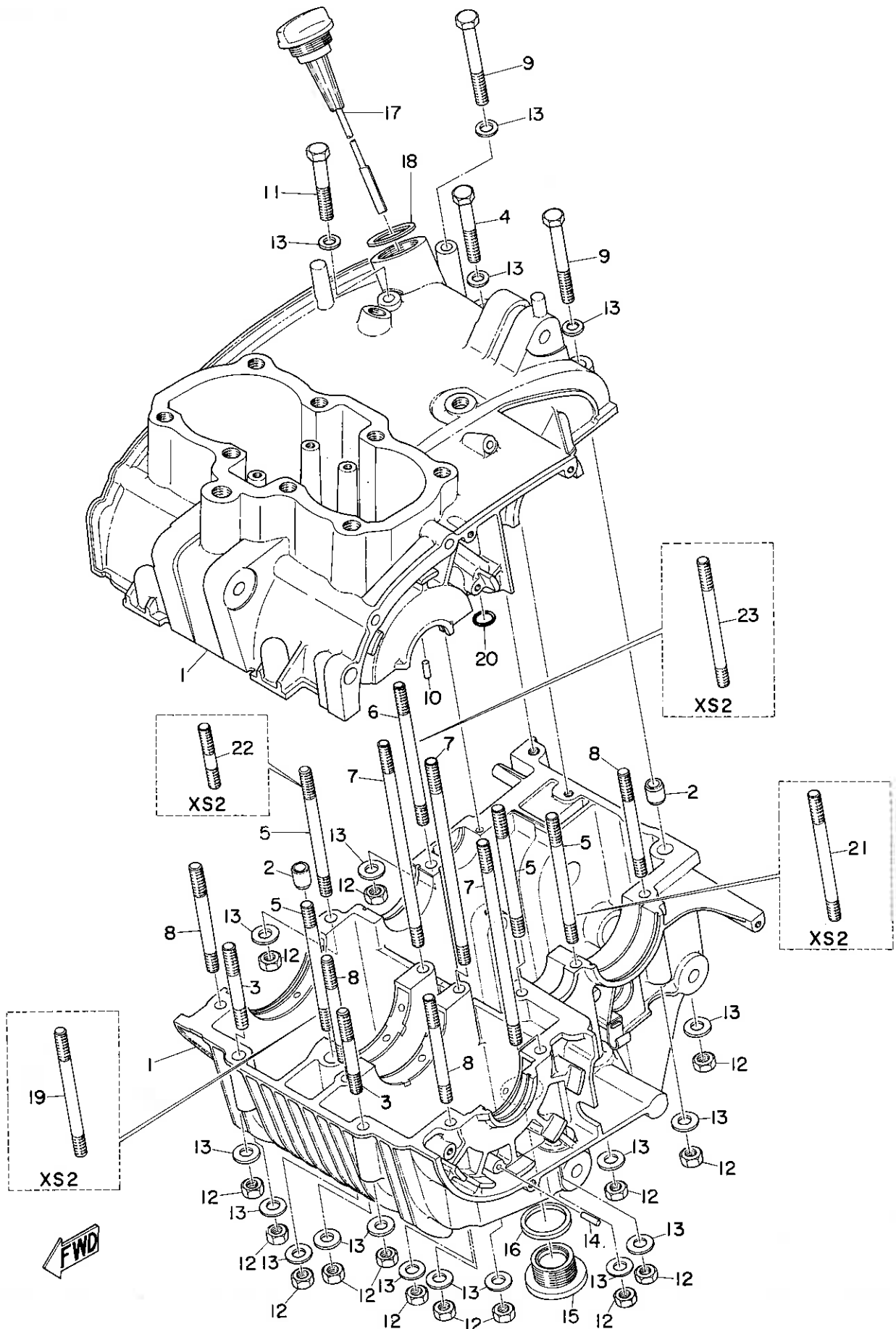
Fig. 2 CYLINDER · DECOMPRESSION



# CYLINDER · DECOMPRESSION

Ref. No.	Parts No.	Description	Q'ty			Applicable Machine No.	Remarks
			XS1	XS1F	XS2		
2-21	91608-40016	PIN, spring .....			1		
2-22	93102-12100	OIL SEAL (SD-12-22-7).....			1		
2-23	101-24187-00	WASHER (6.2-18-1.6) .....			1		
2-24	98803-06700	NUT, crown .....			1		
2-25	92903-06200	WASHER, plain .....			1		
2-26	306-12299-00	BOLT, stopper .....			1		
	306-12299-01	BOLT, stopper .....			1	needs no plain washer (Ref. No.2-25)	
2-27	306-12289-00	WASHER (12.5-25-0.5) .....			1		
2-28	306-11187-00	COVER, cylinder head side 2			1		
2-29	306-11198-00	GASKET .....			1		
2-30	802-13558-00	STUD .....			4		
2-31	98803-08700	NUT, crown .....			4		
2-32	92903-08200	WASHER, plain .....			4		

Fig. 3 CRANKCASE

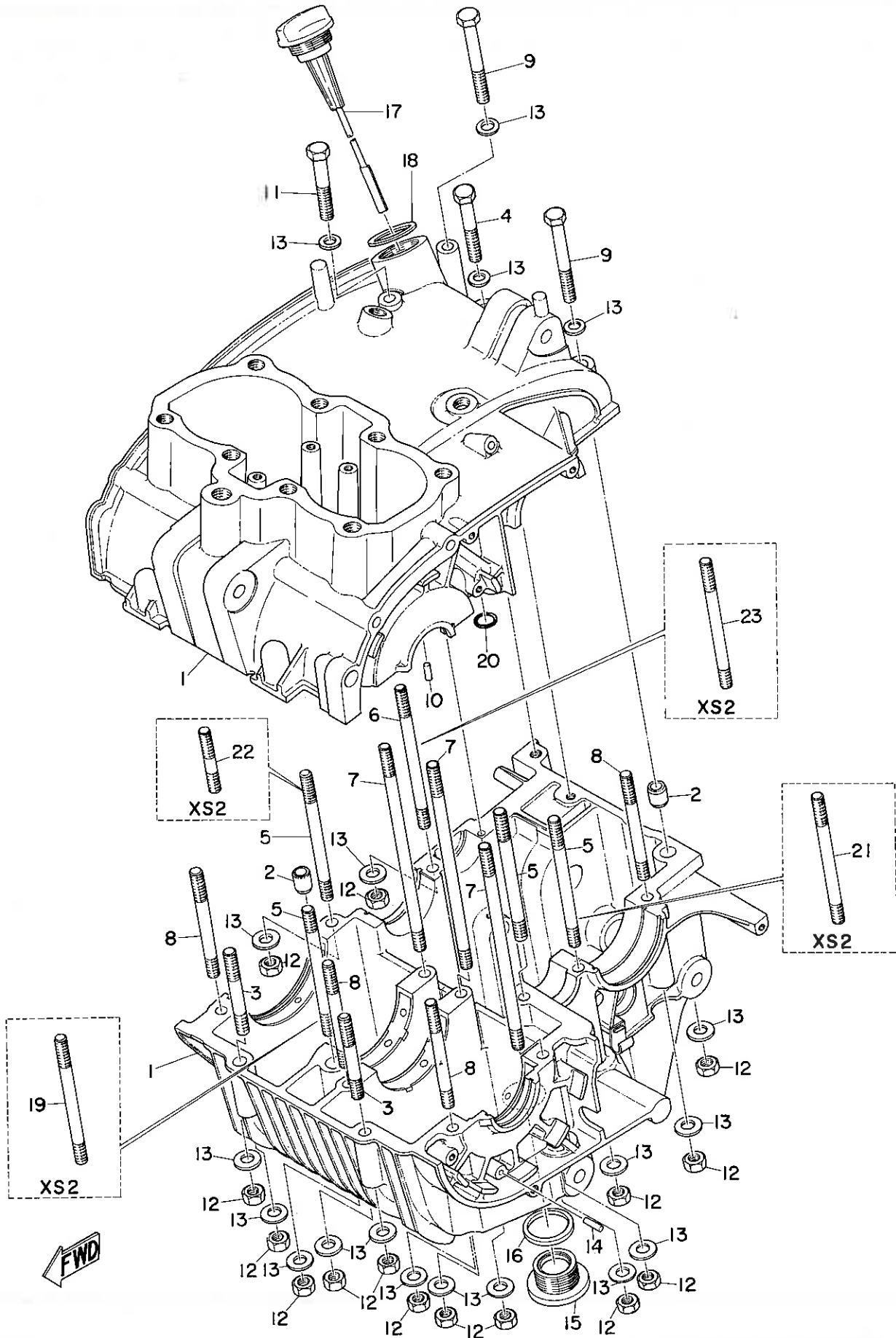




# CRANKCASE

Ref. No.	Parts No.	Description	Q'ty			Applicable Machine No.	Remarks
			XS1	XS1F	XS2		
3- 1	256-15100-00	CRANK CASE ASS'Y	1				Unified to 256-05
	256-15100-01	CRANK CASE ASS'Y	1			001235~	Unified to 256-05
	256-15100-02	CRANK CASE ASS'Y	1	1		003430~	Unified to 256-05
	256-15100-05	CRANK CASE ASS'Y		1		022833~	
	306-15100-00	CRANK CASE ASS'Y			1		
3- 2	91810-08016	. PIN, dowel (9.8-12-16)	2	2	2		
3- 3	256-15192-00	. BOLT, crank case stud 1	2	2	2		L=76
3- 4	97103-08055	. BOLT	1	1	1		
3- 5	256-15194-00	BOLT, crank case stud 3	3	3	1		L=116
3- 6	256-15195-00	BOLT, crank case stud 4	1	1			L=130
3- 7	256-15196-00	BOLT, crank case stud 5	3	3	3		L=186
3- 8	256-15193-00	BOLT, crank case stud 2	4	4	4		L=96
3- 9	97103-08075	BOLT	2	2	2		
3-10	93605-12069	PIN, dowel (4.5-11.8)	4	4	4		
3-11	97103-08090	BOLT	1	1	1		
3-12	98803-08200	NUT	14	14	14		
3-13	92901-08200	WASHER, plain	18	18	18		
3-14	93603-14026	PIN, dowel (3-14)	1	1	1		
3-15	256-15351-00	PLUG, drain	2	2	2		
3-16	256-15353-00	GASKET, drain plug	2	2	2		
3-17	256-15362-00	PLUG, oil level	1	1	1		
3-18	256-15364-00	GASKET, oil plug	1	1	1		
3-19	256-15197-00	BOLT, crank case stud 6	1	1	1		L=60
3-20	256-15395-00	GAKSET, oil sealing	1	1	1		

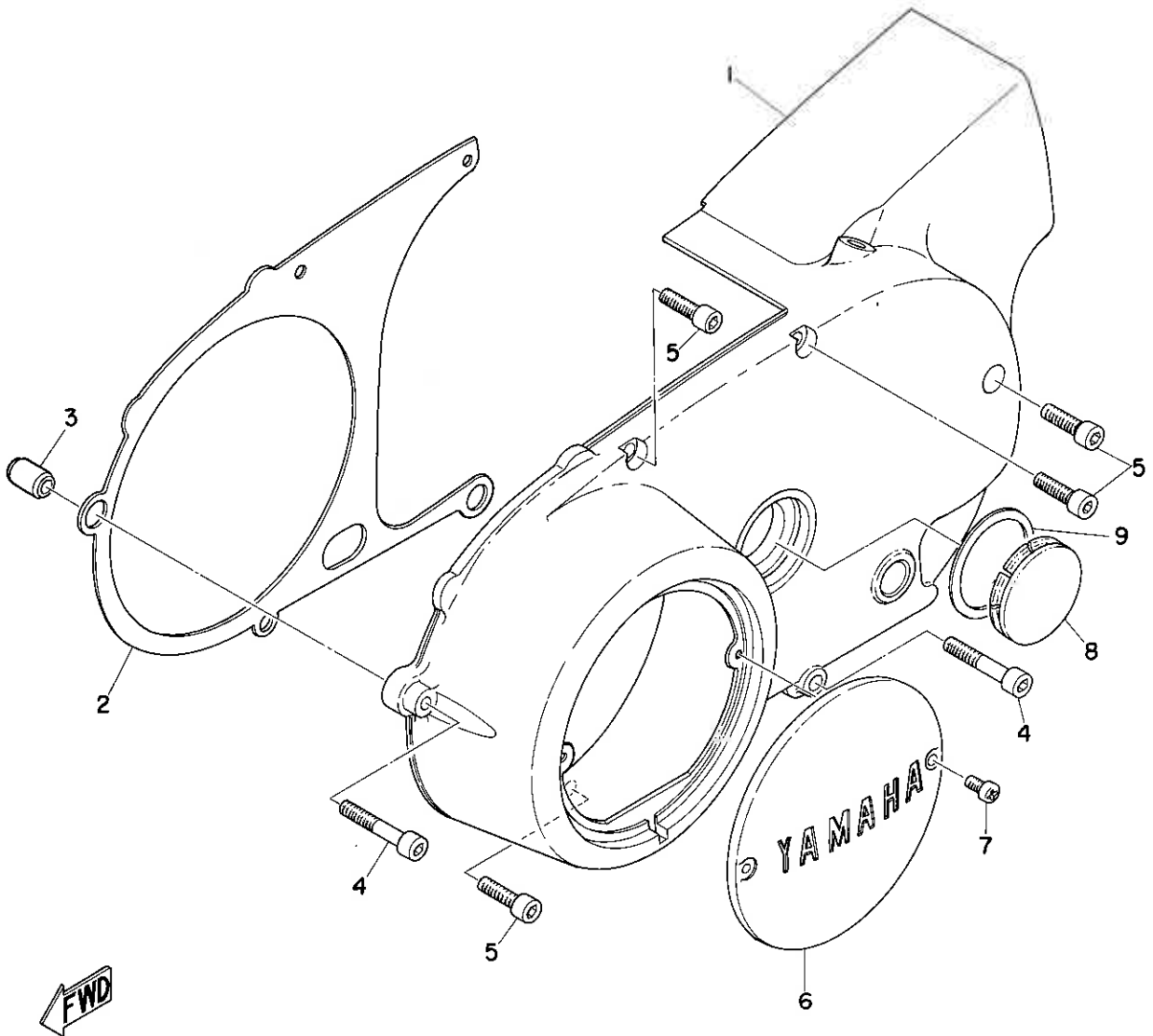
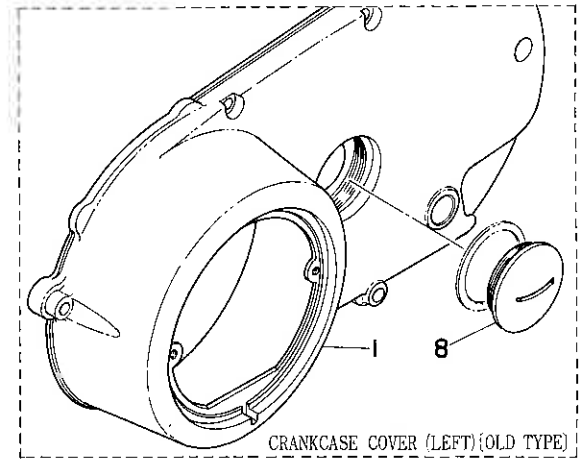
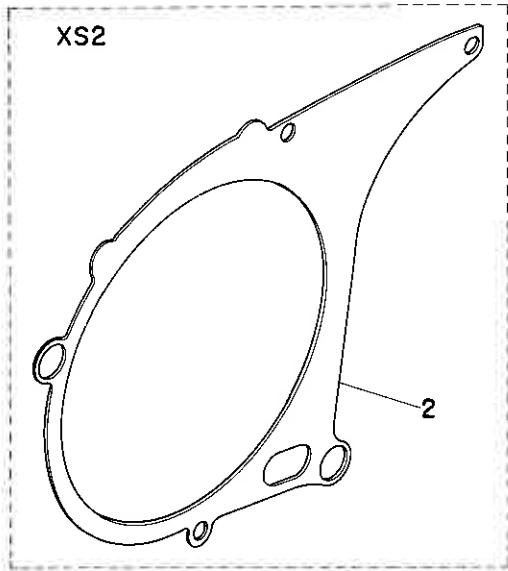
Fig. 3 CRANKCASE



# CRANKCASE

Ref. No.	Parts No.	Description	Q'ty			Applicable Machine No.	Remarks
			XS1	XS1F	XS2		
3-21	306-15197-00	BOLT, crank case stud 6 ....			1		L=61
3-22	306-15192-00	BOLT, crank case stud 1 ....			1		L=54
3-23	306-15193-00	BOLT, crank case stud 2 ....			1		L=103

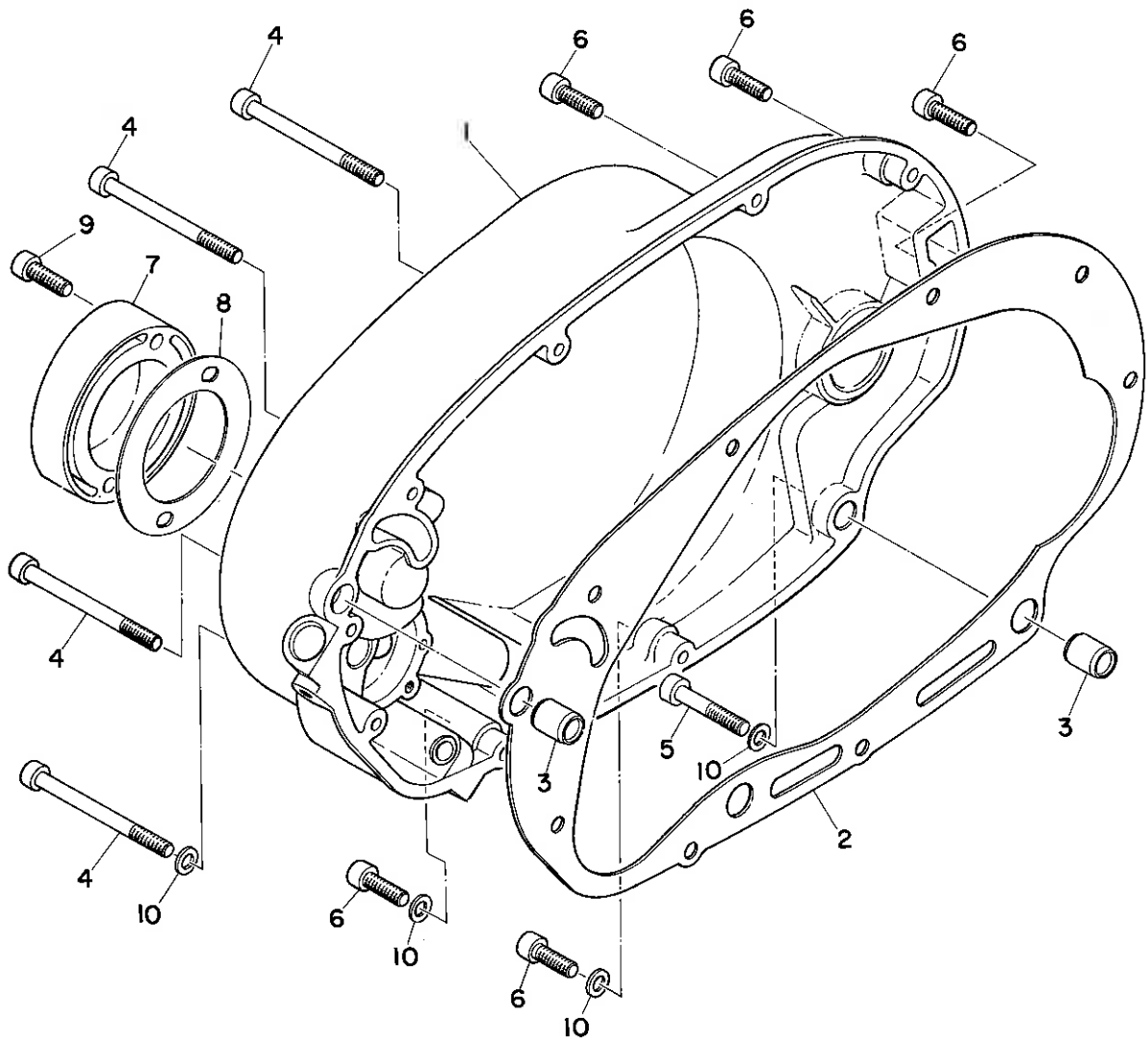
Fig. 4 CRANKCASE COVER (LEFT)



## CRANKCASE COVER (LEFT)

Ref. No.	Parts No.	Description	Q'ty			Applicable Machine No.	Remarks
			XS1	XS1F	XS2		
4- 1	256-15411-00	COVER, crank case left	....	1			
	256-15411-01	COVER, crank case left	....	1	1	001125~	
	306-15411-00	COVER, crank case left	....		1		
4- 2	256-15461-00	GASKET, crank case cover left	.....	1	1		
	306-15461-00	GASKET, crank case cover left	.....		1		
4- 3	91810-08016	PIN, dowel (9.8-12-16)	.....	2	2	2	
4- 4	91318-06035	BOLT	.....	2			
	91316-06040	BOLT	.....	2	2	2	003430~
4- 5	91318-06020	BOLT	.....	4			
	91316-06025	BOLT	.....	4	4	4	003430~
4- 6	256-15425-00	COVER, generator	.....	1	1	1	
4- 7	98503-05010	SCREW, pan head	.....	2	2	2	
4- 8	256-15417-00	COVER, adjust	.....	1			
	256-15417-01	COVER, adjust	.....	1	1	1	001125~
4- 9	256-15457-00	GASKET	.....	1	1	1	

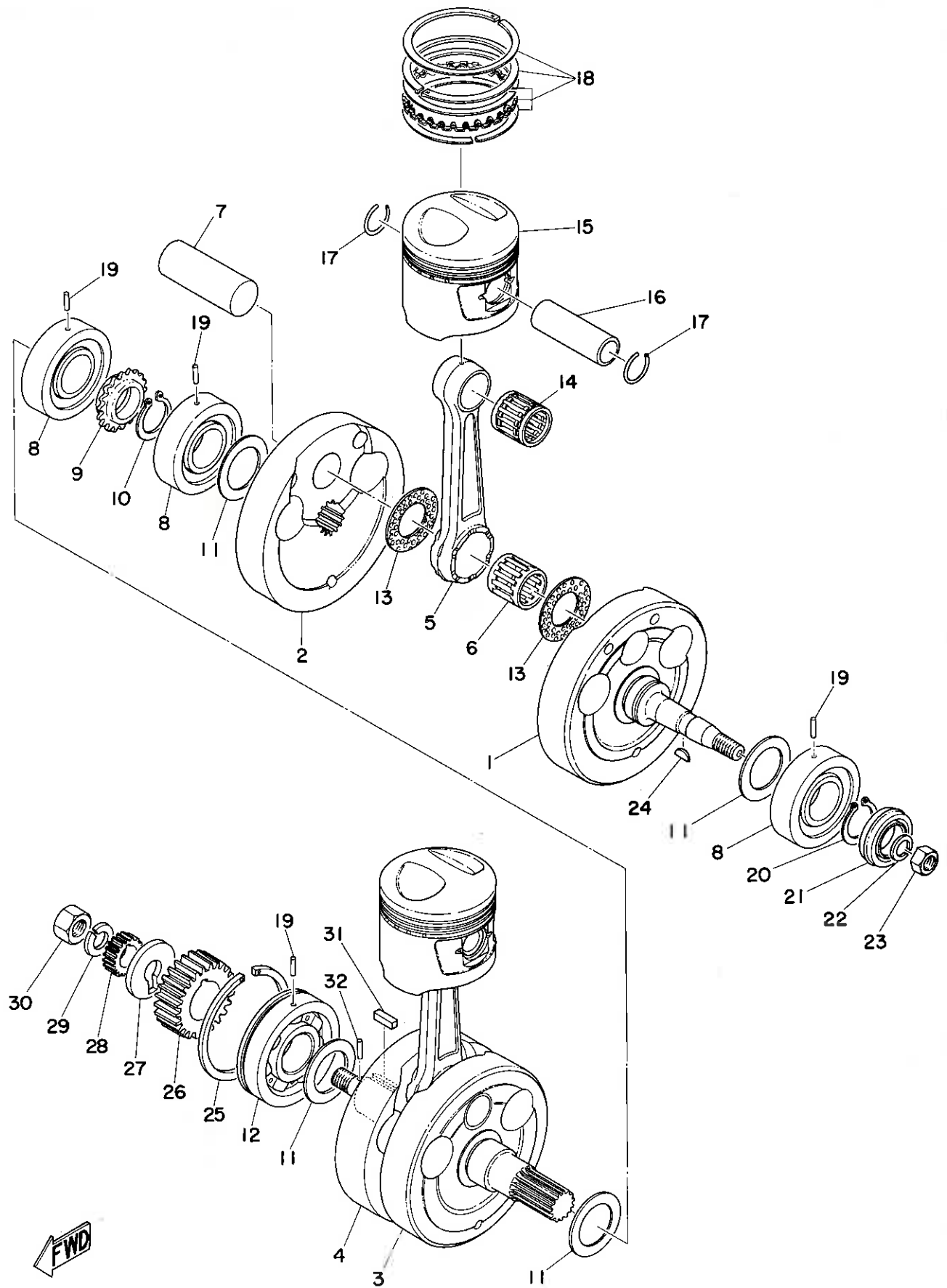
Fig. 5 CRANKCASE COVER (RIGHT)



# CRANKCASE COVER (RIGHT)

Ref. No.	Parts No.	Description	Q'ty			Applicable Machine No.	Remarks
			XS1	XS1F	XS2		
5- 1	256-15421-00	COVER, crank case right ...	1				Interchangeable with new one
	256-15421-01	COVER, crank case right ...	1	1	1		
	256-15421-02	COVER, crank case right ...			1		
5- 2	256-15451-00	GASKET, crank case cover right .....	1	1	1		
5- 3	91810-08016	PIN, dowel (9.8-12-16) ....	2	2	2		
5- 4	91318-06070	BOLT .....	4				
	91316-06075	BOLT .....	4	4	4	003430~	
5- 5	91318-06035	BOLT .....	1				
	91316-06040	BOLT .....	1	1	1	003430~	
5- 6	91318-06020	BOLT .....	5				
	91316-06025	BOLT .....	5	5	5	003430~	
5- 7	256-15416-00	COVER, oil cleaner .....	1				
	256-15416-01	COVER, oil cleaner .....	1	1	1	001125~	
	256-15416-02	COVER, oil cleaner .....			1		
5- 8	93210-50047	O-RING (3-49.5) .....	1				
	256-15456-00	GASKET .....	1	1	1	001125~	
5- 9	91316-06020	BOLT .....	2				
	91316-06025	BOLT .....	2	2	2	003430~	
5-10	256-11396-00	GASKET, holder (6.3-11-1.0)	4	4	4		

Fig. 6 CRANK · PISTON

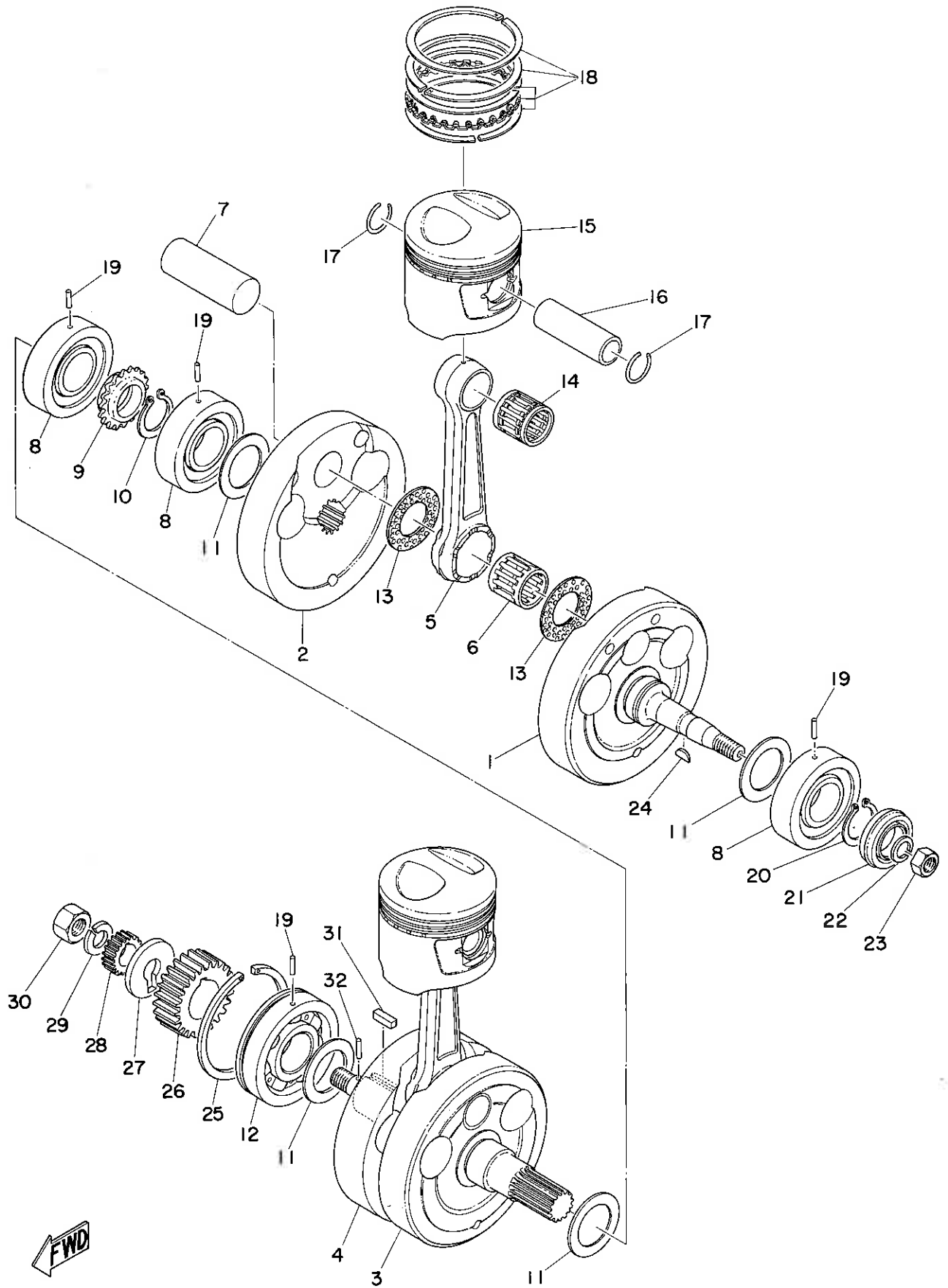




# CRANK · PISTON

Ref. No.	Parts No.	Description	Q'ty			Applicable Machine No.	Remarks
			XS1	XS1F	XS2		
6- 0-1	256-11400-00	CRANK ASS'Y	1				
	256-11400-01	CRANK ASS'Y		1			
	306-11400-00	CRANK ASS'Y			1		
6- 1	256-11412-00	. CRANK, 1 left	1	1		Unified to 256-01	
	256-11412-01	. CRANK, 1 left		1	1		
6- 2	256-11422-00	. CRANK, 1 right	1	1		Unified to 256-01	
	256-11422-01	. CRANK, 1 right		1	1		
6- 3	256-11432-00	. CRANK, 2 left	1	1		Unified to 256-01	
	256-11432-01	. CRANK, 2 left		1	1		
6- 4	256-11442-00	. CRANK, 2 right	1	1		Unified to 256-01	
	256-11442-01	. CRANK, 2 right		1			
	306-11442-00	. CRANK, 2 right			1		
6- 5	256-11651-00	. ROD, connecting	2			Unified to 256-01	
	256-11651-01	. ROD, connecting		2	2	003269~	
6- 6	93310-62650	. BEARING, con-rod big end	2	2	2		
6- 7	256-11681-00	. PIN, crank	2	2	2		
6- 8	93390-00003	. BEARING	3	3	3	Special	
6- 9	256-11549-00	. SPROCKET, cam chain (17T)	1	1	1		
6-10	93410-32019	. CIRCLIP (S-32)	1	1	1		
6-11	256-11561-00	. SHIM, crank (32.2-44-1.0)	4	4	4		
6-12	93306-30604	. BEARING (6306C3 special)	1	1	1		
6-13	256-11685-00	. WASHER, crank pin	4	4	4		
6-14	93310-22242	BEARING, con-rod small end	2			~003269	

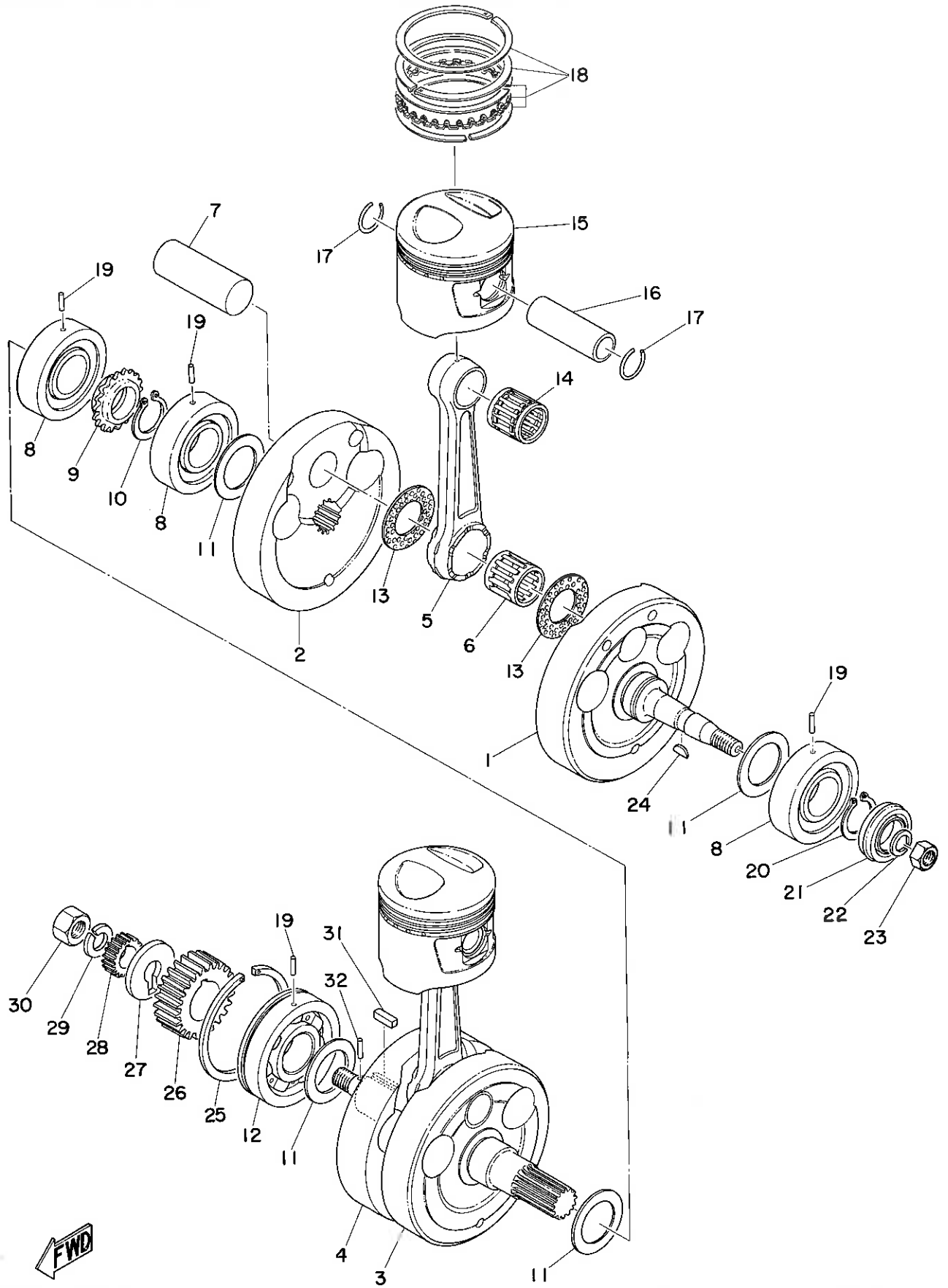
Fig. 6 CRANK · PISTON



# CRANK · PISTON

Ref. No.	Parts No.	Description	Q'ty			Applicable Machine No.	Remarks
			XS1	XS1F	XS2		
6-15	256-11631-01-95	PISTON (STD .95mm) .....	}	}	}	Interchangeable right and left with set.	
	256-11631-02-95	PISTON (STD .95mm) .....					
	256-11631-01-96	PISTON (STD .96mm) .....					
	256-11631-02-96	PISTON (STD .96mm) .....					
	256-11631-01-97	PISTON (STD .97mm) .....					
	256-11631-02-97	PISTON (STD .97mm) .....					
	256-11635-01	PISTON (1st O.S 0.25mm) ..	2	2		Alternate parts	
	256-11635-02	PISTON (1st O.S 0.25mm) ..		2	2	Alternate parts	
	256-11636-01	PISTON (2nd O.S 0.50mm) ..	2	2		Alternate parts	
	256-11636-02	PISTON (2nd O.S 0.50mm) ..		2	2	Alternate parts	
6-16	256-11633-00	PIN, piston .....	2	2	2		
6-17	256-11634-00	CLIP, piston pin .....	4	4	4		
6-18	256-11610-00	PISTON RING SET (STD) ....	2s	2s	2s		
	256-11610-10	PISTON RING SET (1st O.S)	2s	2s	2s	Alternate parts	
	256-11610-20	PISTON RING SET (1st O.S)	2s	2s	2s	Alternate parts	
6-19	93605-12069	PIN, dowel (4.5-11.8) .....	4	4	4		
6-20	93410-32019	CIRCLIP (S-32) .....	1	1	1		
6-21	93103-25057	OIL SEAL (SW-25-40-10) ...	1				
	93103-25059	OIL SEAL (SW-25-40-10.1)	1	1			
	93102-25093	OIL SEAL (SD-25-40-9) .....		1	1		
6-22	92901-12100	WASHER, spring .....	1	1	1		
6-23	256-11556-00	NUT, crank shaft 2 .....	1	1	1		
6-24	150-11545-00	KEY, woodruff .....	1	1	1		
6-25	93440-78011	CIRCLIP .....	1	1	1		
6-26	256-16111-00	GEAR, primary drive (27T)	1	1	1		

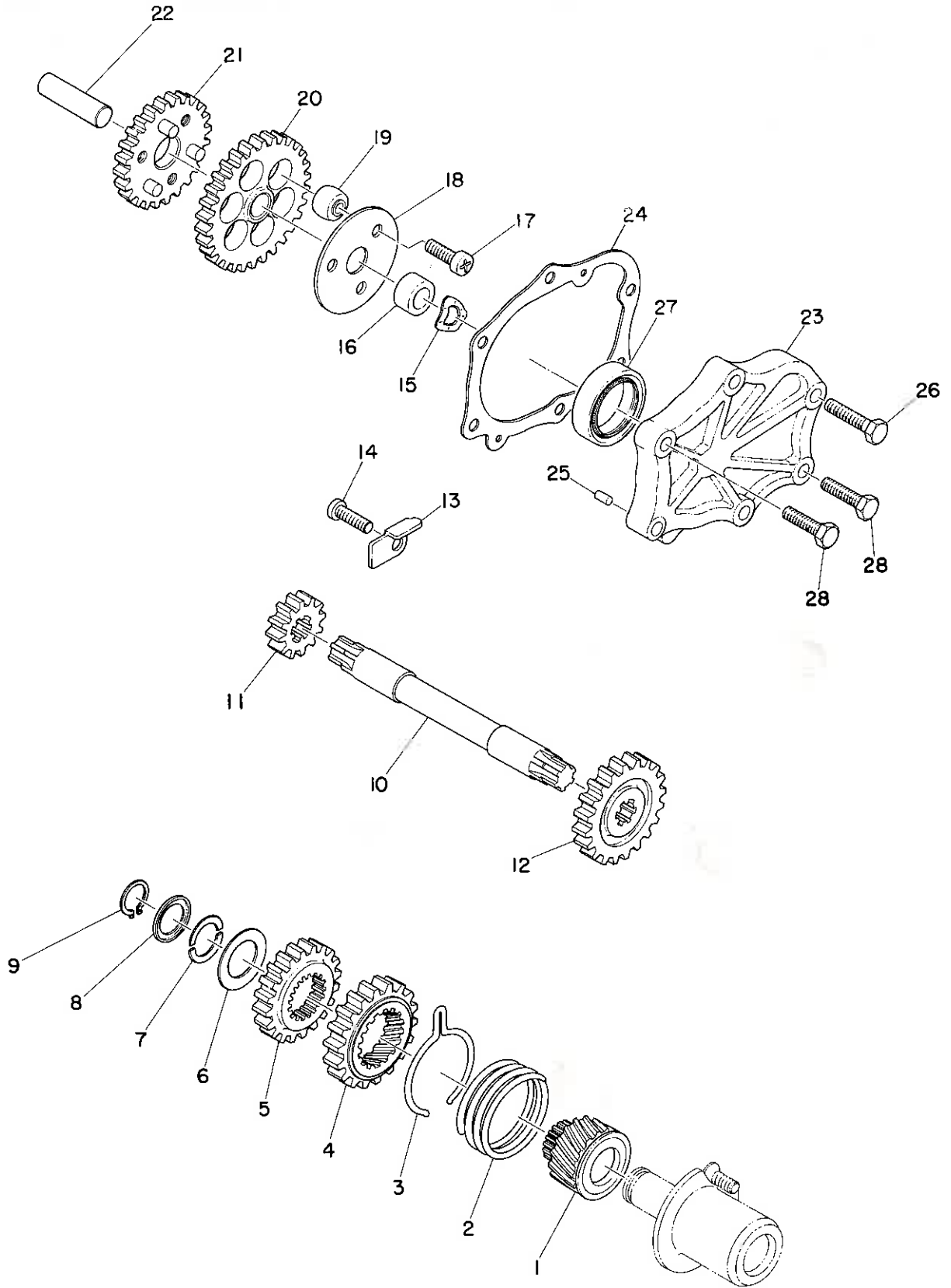
Fig. 6 CRANK · PISTON



# CRANK · PISTON

Ref. No.	Parts No.	Description	Q'ty			Applicable Machine No.	Remarks
			XS1	XS1F	XS2		
6-27	256-11587-00	WASHER, lock .....	1	1	1		
6-28	256-13324-00	GEAR, drive (17T) .....	1	1	1		
6-29	92901-14100	WASHER, spring .....	1	1	1		
6-30	256-11555-00	NUT, crank shaft 1 .....	1	1	1		
6-31	278-11546-00	KEY, woodruff .....	1	1	1		
6-32	93603-17070	PIN, dowel (3-16.8) .....	1	1	1		

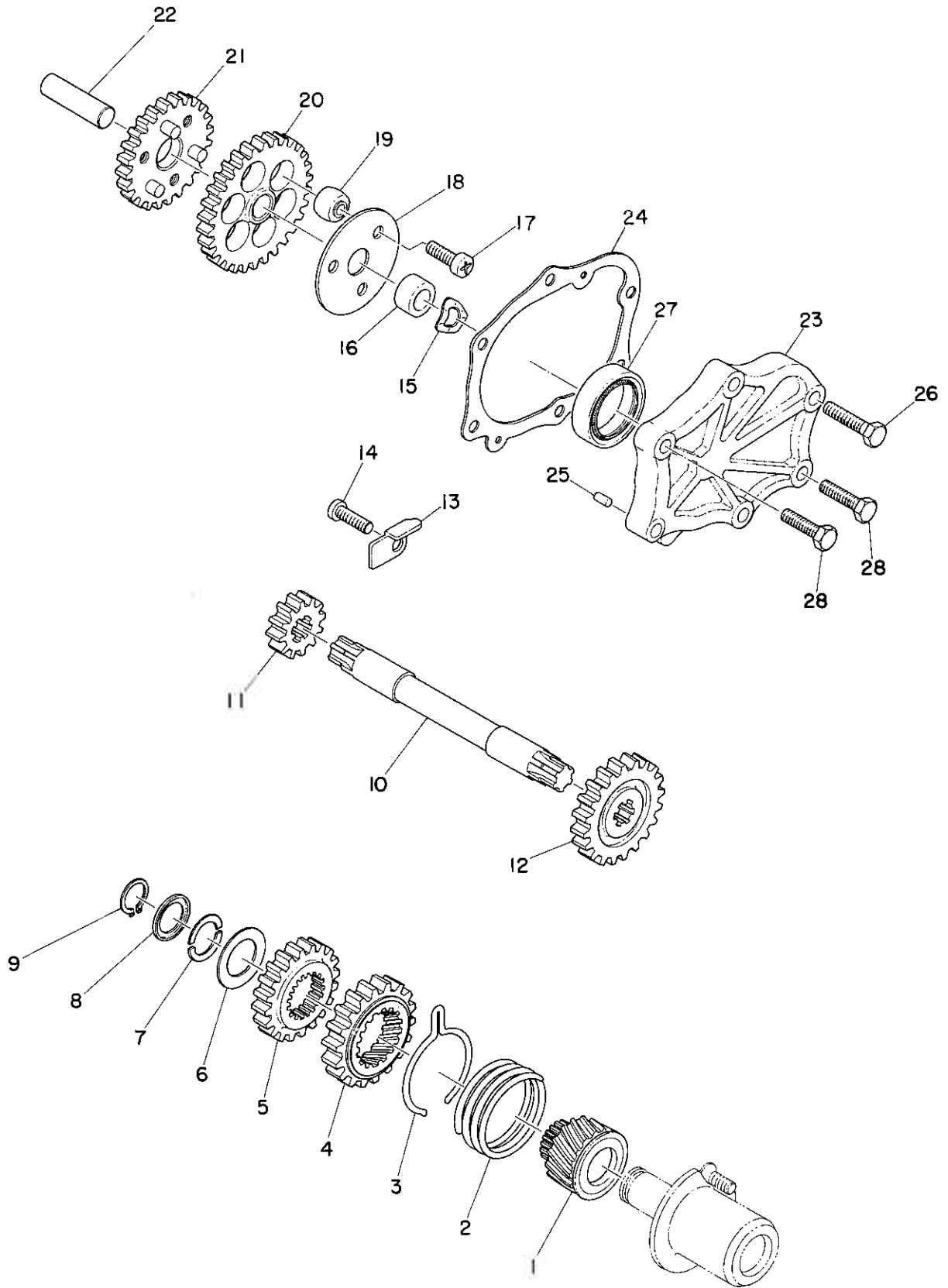
Fig. 7 GEAR TRAIN (XS2)



## GEAR TRAIN (XS2)

Ref. No.	Parts No.	Description	Q'ty			Applicable Machine No.	Remarks
			XS1	XS1F	XS2		
7- 1	306-15524-00	WHEEL, starter			1		
7- 2	306-15572-00	SPRING, return			1		
7- 3	306-15536-00	CLIP, starter			1		
7- 4	306-15516-00	GEAR 4 (25T)			1		
7- 5	306-15515-00	GEAR 3 (24T)			1		
7- 6	306-15561-00	WASHER (17.2-30-1.0)			1		
7- 7	306-15562-00	CLIP			2		
7- 8	306-15563-00	HOLDER, clip			1		
7- 9	93410-17008	CIRCLIP (S-17)			1		
7-10	306-15522-00	SHAFT 2			1		
7-11	306-15514-00	GEAR 2 (14T)			1		
7-12	306-15513-00	GEAR 1 (24T)			1		
7-13	306-15531-00	PLATE, stopper			1		
7-14	92501-06020	SCREW, pan head			1		
7-15	826-18195-00	WASHER, wave			1		
7-16	306-15541-00	COLLAR 1 (12-18-9.6)			1		
7-17	92501-06020	SCREW, pan head			3		
7-18	306-15532-00	PLATE, idle gear			1		
7-19	306-15571-00	ABSORBER			6		
7-20	306-15512-00	GEAR, idler 1 (36T)			1		
7-21	306-15517-00	GEAR, idler 2 (26T)			1		
7-22	306-15521-00	SHAFT 1			1		
7-23	306-15431-00	COVER, gear train			1		
7-24	306-15452-00	GASKET, gear train cover			1		

Fig. 7 GEAR TRAIN (XS2)

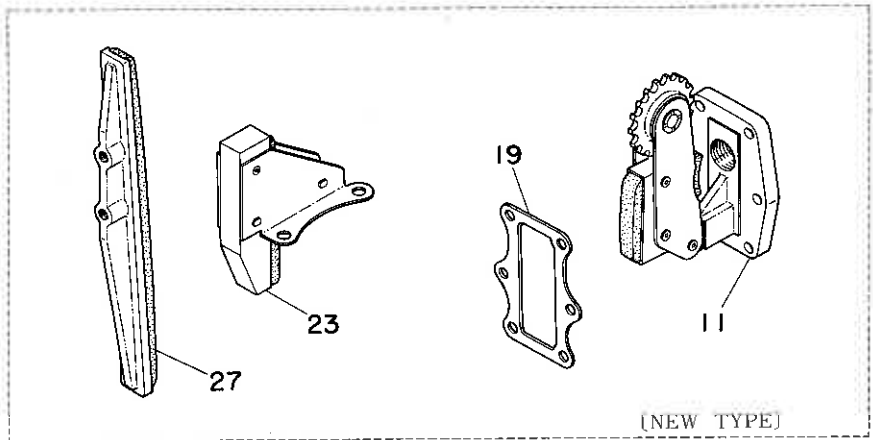
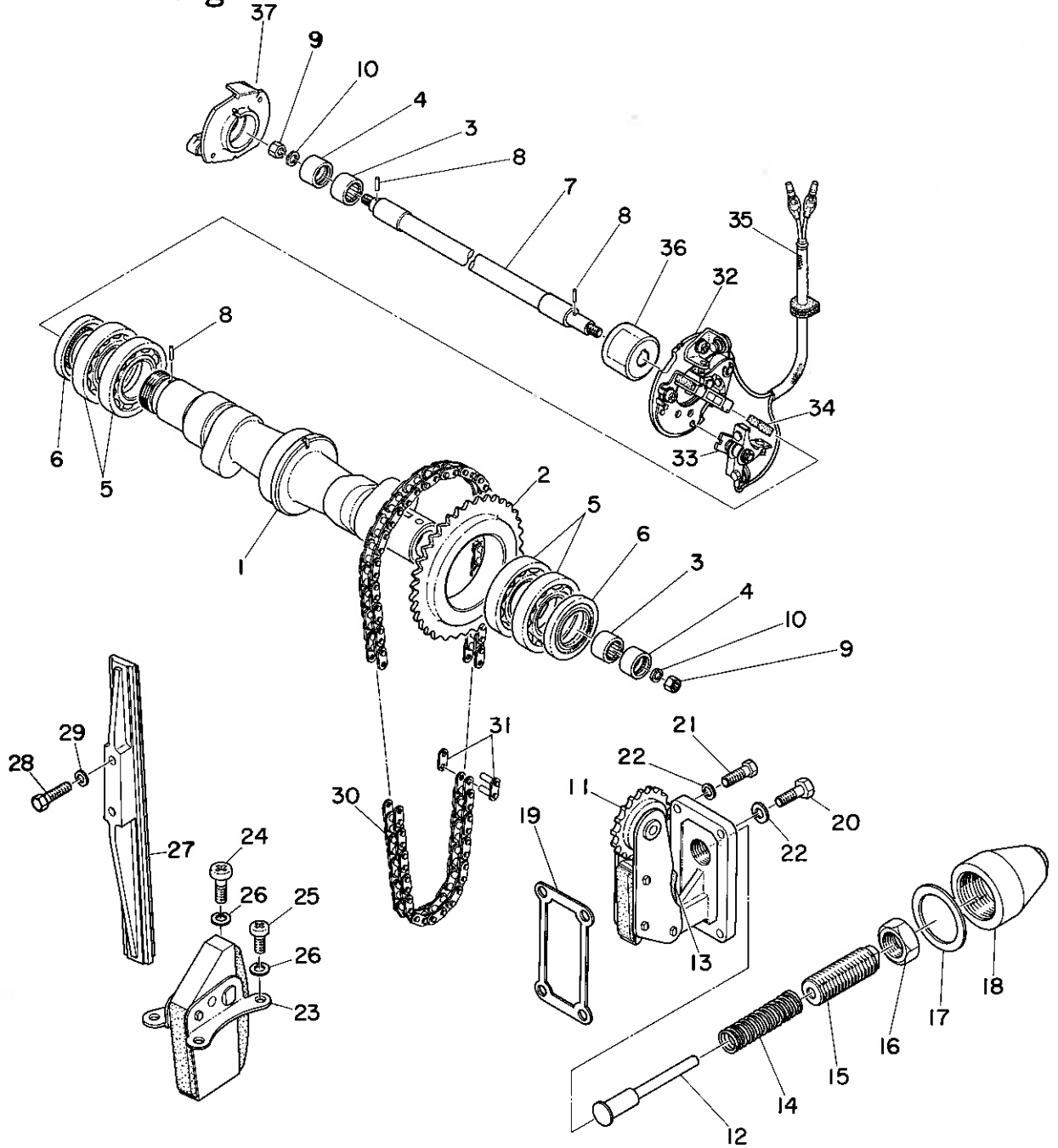




## GEAR TRAIN (XS2)

Ref. No.	Parts No.	Description	Q'ty			Applicable Machine No.	Remarks
			XS1	XS1F	XS2		
7-25	93604-08071	PIN, dowel (4-8) .....			2		
7-26	91201-06030	BOLT .....			4		
7-27	93102-34095	OIL SEAL (SD-34-46-10.5) ..			1		
7-28	91201-06025	BOLT .....			2		

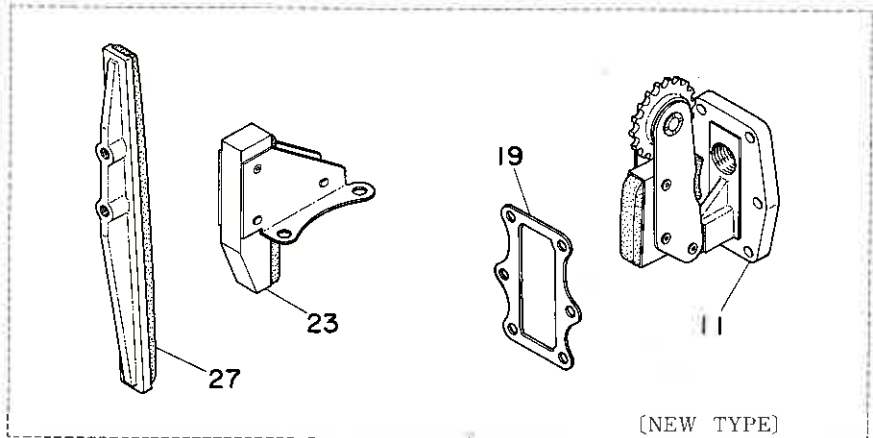
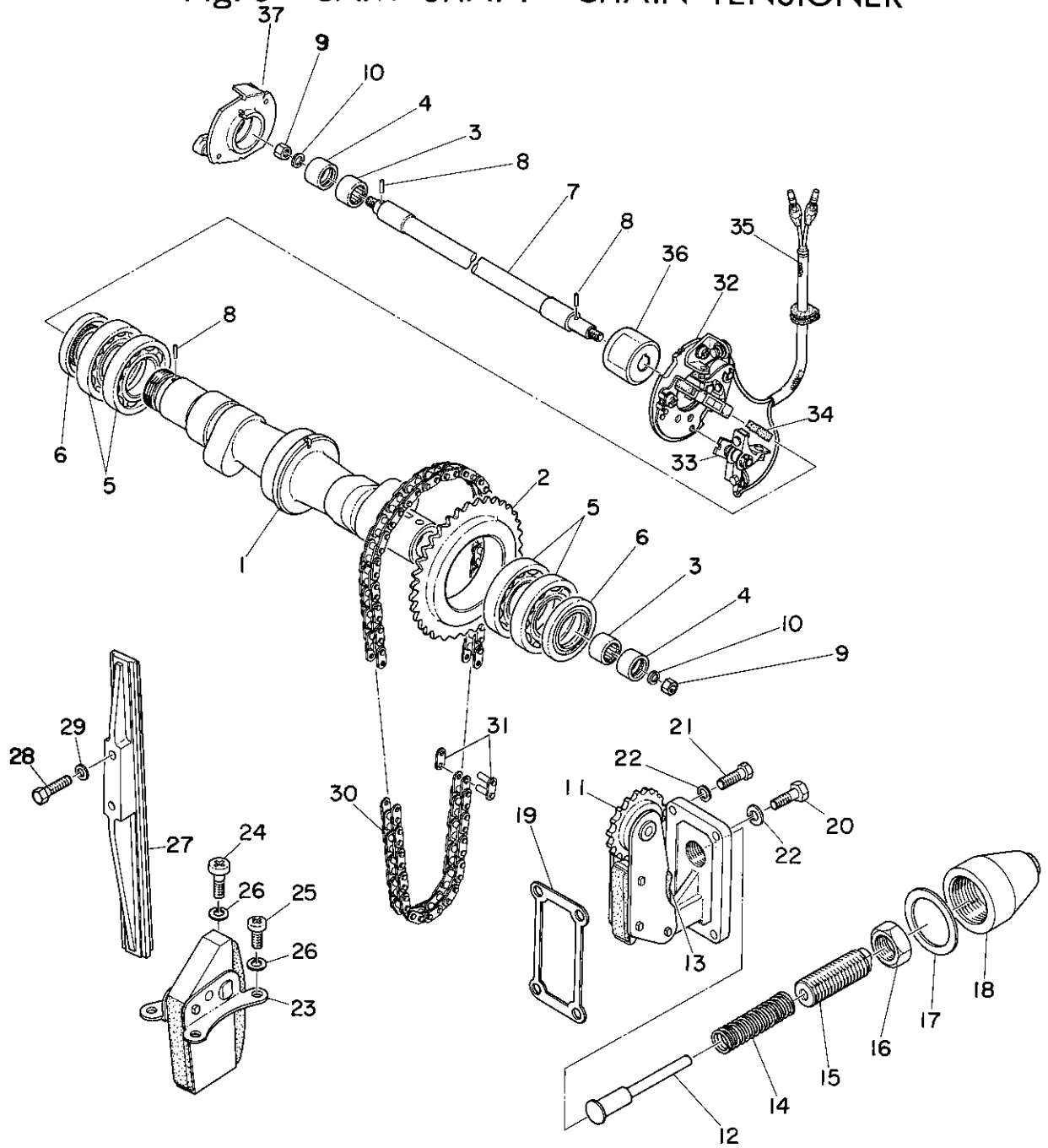
Fig. 8 CAM SHAFT · CHAIN TENSIONER



# CAM SHAFT · CHAIN TENSIONER

Ref. No.	Parts No.	Description	Q'ty			Applicable Machine No.	Remarks
			XS1	XS1B	XS2		
8- 0-1	256-12170-00	CAM SHAFT ASS'Y	1	1		Unified to 256-01	
	256-212170-01	CAM SHAFT ASS'Y	1	1			
8- 1	256-12171-00	. SHAFT, cam	1	1		Not for sale	
	256-12171-01	. SHAFT, cam	1	1		Not for sale	
8- 2	256-12176-00	. SPROCKET	1	1	1	Not for sale	
8- 3	93315-11206	. BEARING	2	2			
	256-11154-00	. BUSHING, breaker shaft	2	2			
8- 4	256-11155-00	. SEAL, labirynth	2	2	2		
8- 5	93316-00501	BEARING (16005 special)	4	4	4		
8- 6	93102-25090	OIL SEAL (SD-25-40-5)	2	2			
	93101-25044	OIL SEAL (S-25-40-6)	2	2	018608~		
8- 7	256-11156-00	SHAFT, breaker	1	1	1		
8- 8	93603-07073	PIN, dowel (3-7)	3	3	3		
8- 9	98801-06100	NUT	2	2	2		
8-10	92901-06100	WASHER, spring	2	2	2		
8-11	256-12220-01	TENSIONER ARM ASS'Y	1	1			
	256-12220-02	TENSIONER ARM ASS'Y	1	1			
8-12	256-12217-00	ROD	1	1	1		
8-13	256-12232-01	DAMPER	1	1			
8-14	256-12216-00	SPRING	1	1	1		
8-15	256-12228-00	BOLT	1	1	1		
8-16	256-12218-00	NUT, lock	1	1	1		
8-17	256-12214-00	GASKET (30.2-40-1.4)	1	1	1		
8-18	256-12212-00	CAP	1	1		Interchangeable with new one	
	256-12212-01	CAP	1	1			

Fig. 8 CAM SHAFT · CHAIN TENSIONER



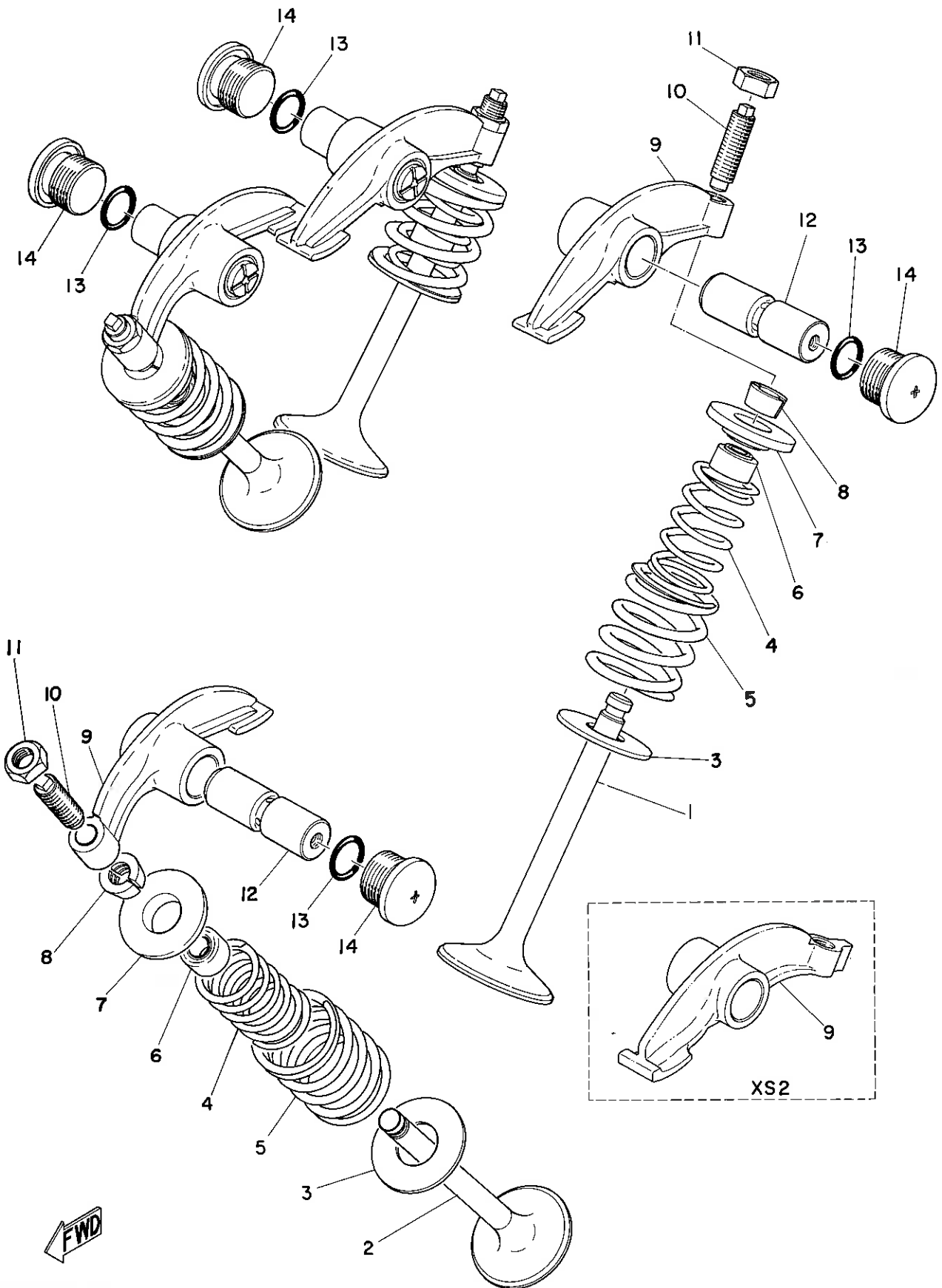
[NEW TYPE]



# CAM SHAFT · CHAIN TENSIONER

Ref. No.	Parts No.	Description	Q'ty			Applicable Machine No.	Remarks
			XS1	XS1F	XS2		
8-19	256-12213-00	GASKET, tensioner case	1	1			
	306-12213-00	GASKET, tensioner case			1		
8-20	256-12249-00	BOLT, reamer 2	2	2	2		
8-21	91203-06018	BOLT	2	2	2		
8-22	92901-06200	WASHER, plain	4	4	4		
8-23	256-12241-00	GUIDE, stopper 2	1	1			
	256-12241-01	GUIDE, stopper 2		1	1	018608~	
8-24	256-12248-00	BOLT, reamer 1	2	2	2		
8-25	92501-06015	SCREW, pan head	2	2	2		
8-26	92900-06100	WASHER, spring	4	4	4		
8-27	256-12231-00	GUIDE, stopper	1	1			
	256-12231-01	GUIDE, stopper		1	1	018608~	
8-28	91203-06020	BOLT	2	2	2		
8-29	256-11396-00	GASKET, holder	2	2	2		
8-30	94510-01102	CHAIN (BF05T-102L)	1	1	1		
8-31	94610-01001	. JOINT, chain	1	1	1		
8-32	256-81620-10	BREAKER PLATE ASS'Y	1	1	1		
8-33	256-81621-10	. CONTACT BREAKER	2	2	2		
8-34	256-81631-10	. LUBRICATOR	2	2	2		
8-35	256-81615-10	. WIRE, lead 1	1	1	1		
8-36	256-81651-10	CAM	1	1	1		
8-37	256-81653-10	GOVERNOER ASS'Y	1	1	1		

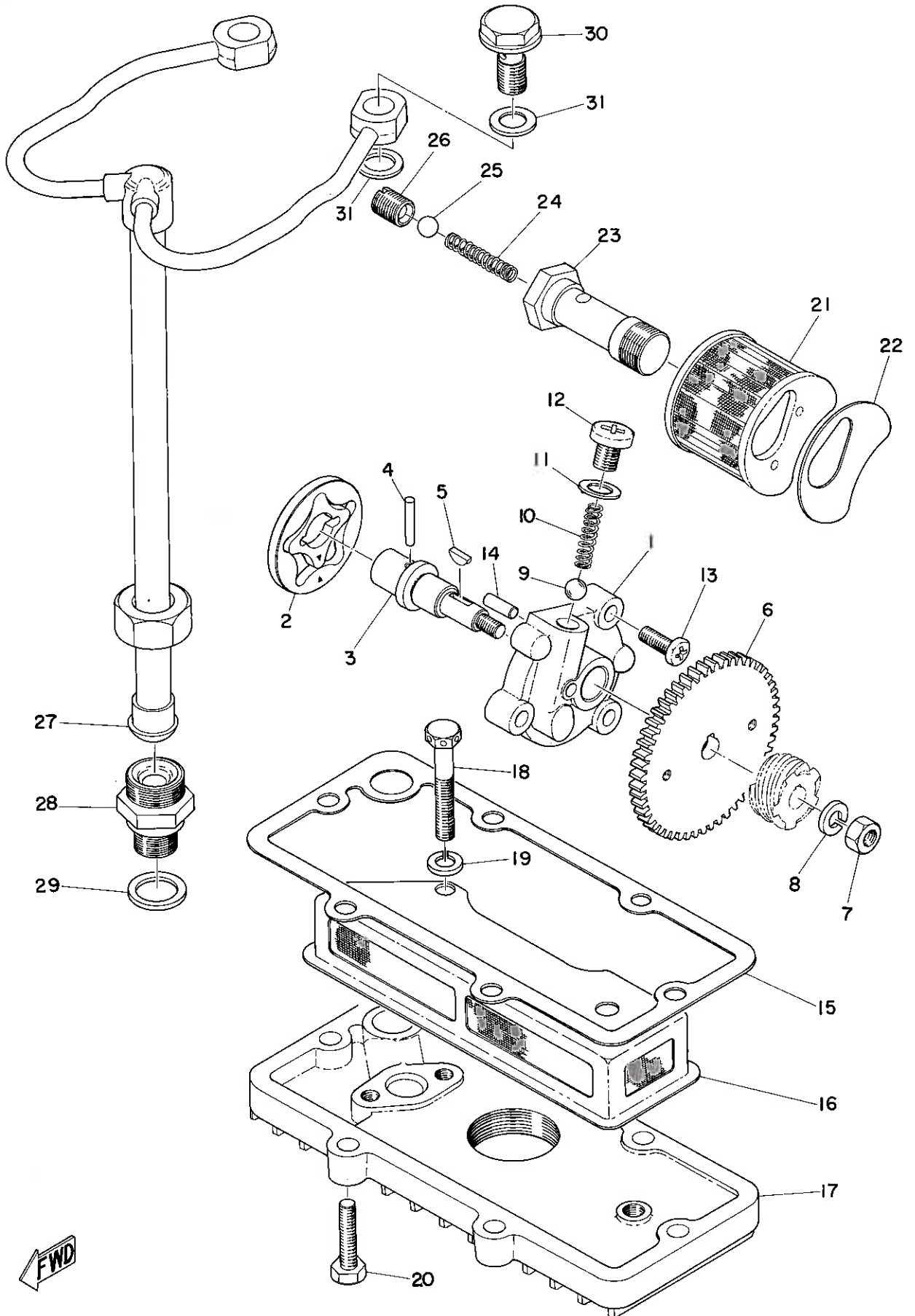
Fig. 9 VALVE



# VALVE

Ref. No.	Parts No.	Description	Q'ty			Applicable Machine No.	Remarks
			XS1	XS1F	XS2		
9- 1	256-12111-00	VALVE, intake	2	2	2		
9- 2	256-12121-00	VALVE, exhaust	2	2	2		
9- 3	256-12116-01	SEAT, valve spring	4	4	4		
9- 4	256-12113-00	SPRING, compression inner	4	4	4		
9- 5	256-12114-00	SPRING, compression outer	4	4	4		
9- 6	256-12119-01	SEAL, valve stem oil	4	4	4		
9- 7	256-12117-00	RETAINER, valve spring	4	4	4		
9- 8	256-12118-00	LOCK, valve spring retainer	8	8	8		
9- 9	256-12151-00	ARM, valve rocker	4	4			
	306-12151-00	ARM, valve rocker			4		
9-10	256-12159-00	SCREW, valve adjusting	4	4	4		
9-11	256-12158-00	NUT, lock	4	4	4		
9-12	256-12156-00	SHAFT, rocker	4	4			
	256-12156-01	SHAFT, rocker			4		
9-13	93210-17143	O-RING (2.5-17)	4	4	4		
9-14	256-11177-00	PLUG, rocker	4	4	4		

Fig. 10 OIL PUMP

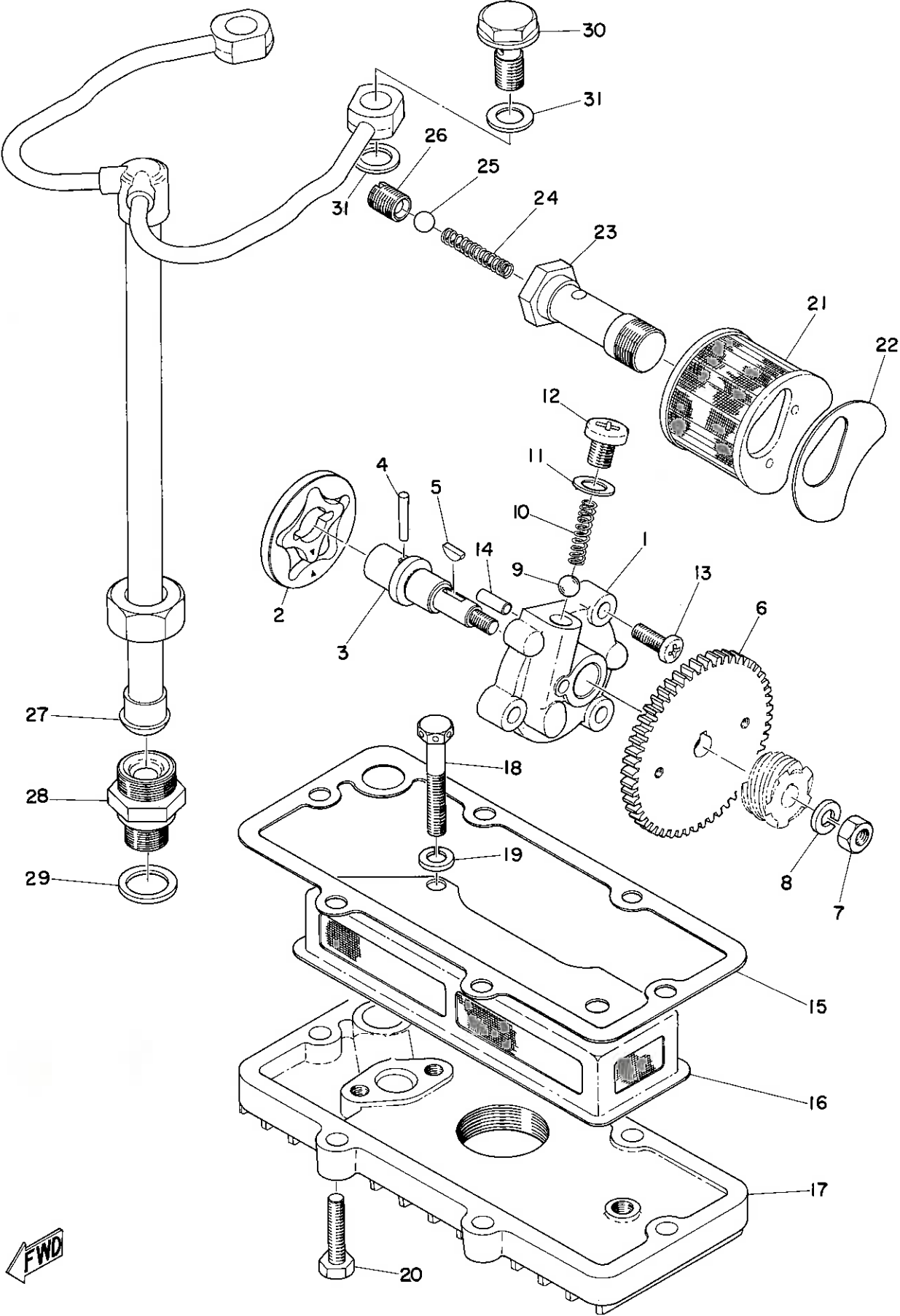




# OIL PUMP

Ref. No.	Parts No.	Description	Q'ty			Applicable Machine No.	Remarks
			XS1	XS1F	XS2		
10- 0-1	256-00001-00	ROTOR AND SHAFT ASS'Y ...	1s	1s		004130~	
	256-00001-01	ROTOR AND SHAFT ASS'Y ...		1s	1s		
10- 1	256-13316-01	. COVER, pump .....	1	1			
	256-13316-02	. COVER, pump .....		1	1		
10- 2	256-13310-01	. ROTOR ASS'Y .....	1	1			
	256-13310-02	. ROTOR ASS'Y .....		1	1		
10- 3	256-13314-01	. SHAFT .....	1	1			
	256-13314-02	. SHAFT .....		1	1		
10- 4	93603-17070	PIN, dowel (3-16.8) .....	1	1	1		
10- 5	256-13334-00	KEY, woodruff .....	1	1	1		
10- 6	256-13325-00	GEAR, driven (43T) .....	1	1	1		
10- 7	98801-06200	NUT .....	1	1	1		
10- 8	92902-06100	WASHER, spring .....	1	1	1		
10- 9	93501-04011	BALL (1/4") .....	1	1			
10-10	256-13484-00	SPRING, release .....	1	1			
10-11	103-16387-00	GASKET (8.5-12-1.0) .....	1				
	604-45342-00	SEAL .....	1	1			
10-12	92501-08010	SCREW, pan head .....	1	1			
10-13	92501-06020	SCREW, pan head .....	3	3	3		
10-14	93604-12037	PIN, dowel (4-11.8) .....	2	2	2		
10-15	256-13414-00	GASKET, strainer .....	1	1	1		
10-16	256-13411-00	STRAINER .....	1	1		Interchangeable with new one	
	256-13411-01	STRAINER .....		1	1		
10-17	256-13417-00	COVER, strainer .....	1	1	1		
10-18	95201-06040	BOLT .....	3	3	3		

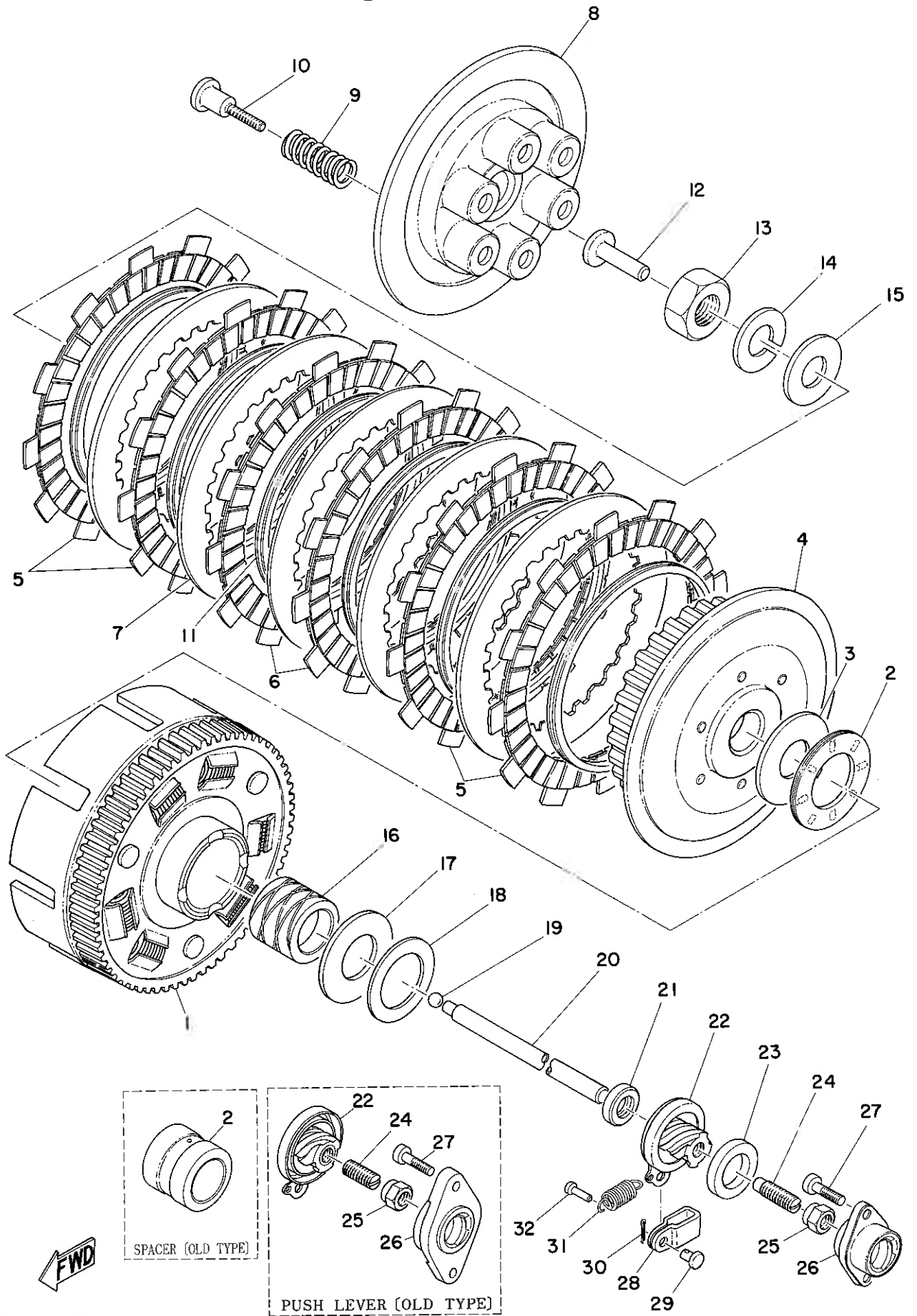
Fig. 10 OIL PUMP



# OIL PUMP

Ref. No.	Parts No.	Description	Q'ty			Applicable Machine No.	Remarks
			XS1	XS1F	XS2		
10-19	92901-06100	WASHER, spring	3	3	3		
10-20	91201-06025	BOLT	6	6	6		
10-21	256-13441-00	ELEMENT, oil	1	1	1		
10-22	256-13445-00	GASKET, element	1	1	1		
10-23	256-13495-00	SCREW, element	1	1	1		
10-24	256-13494-00	SPRING, bypass	1	1	1		
10-25	93501-04011	BALL (1/4")	1	1	1		
10-26	256-13493-00	SCREW, spring	1	1	1		
10-27	256-13161-00	PIPE, delivery 1	1	1	1		
10-28	256-13165-00	BOLT, banjo 1	1	1			
	256-13165-01	BOLT, banjo 1		1	1		
10-29	256-13167-00	GASKET, banjo bolt 1	1	1	1		
10-30	256-13166-00	BOLT, banjo 2	2	2	2		
10-31	256-13168-00	GASKET, banjo bolt 2	4	4	4		

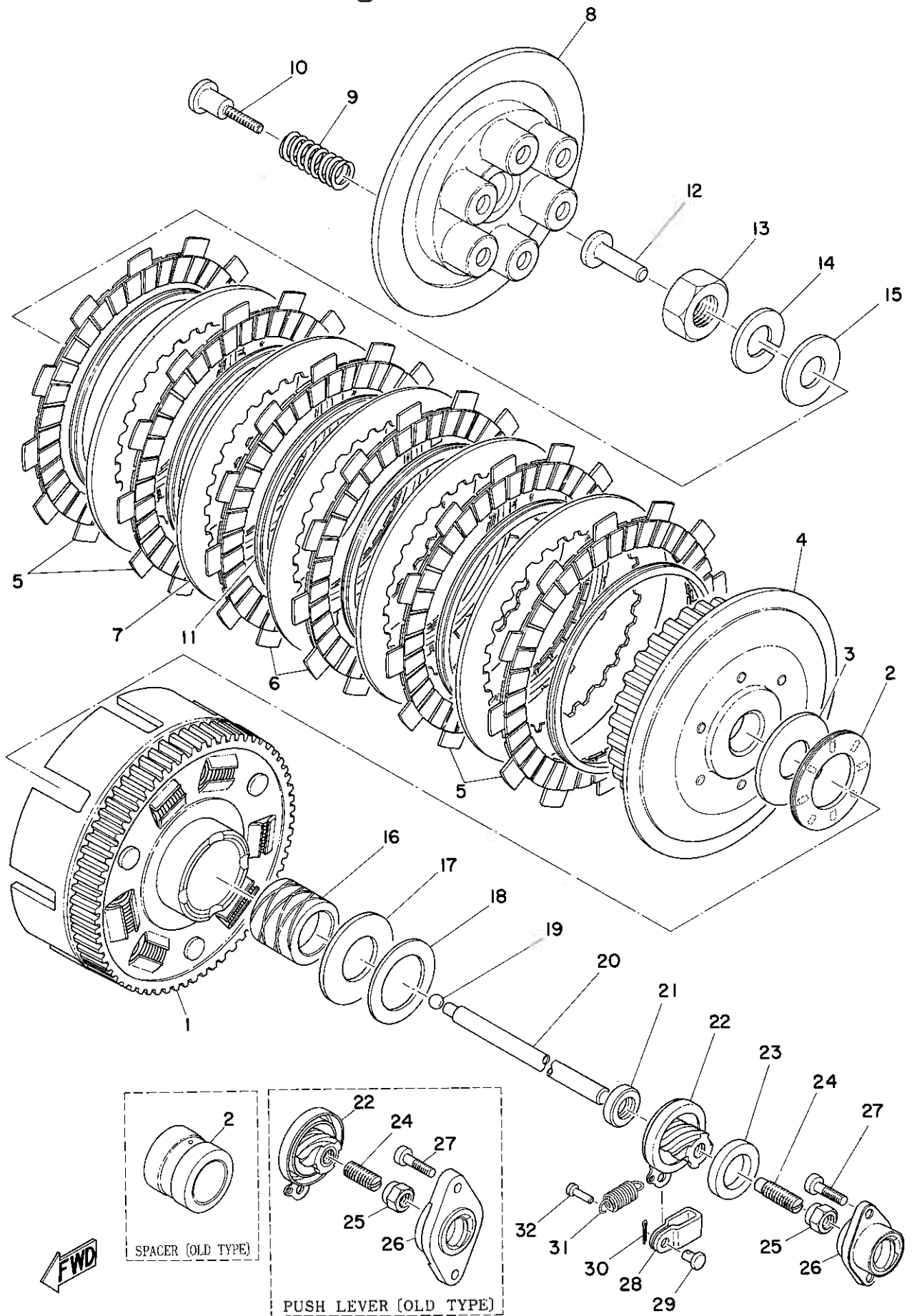
Fig. 11 CLUTCH



# CLUTCH

Ref. No.	Parts No.	Description	Q'ty			Applicable Machine No.	Remarks
			XS1	XS1F	XS2		
11- 0-1	256-16301-60	CLUTCH ASS'Y .....	1	1	1		
11- 1	256-16150-00	. DRIVEN GEAR COMP. (72T)	1	1	1		
11- 2	93341-23504	. BEARING .....	1	1	1		
11- 3	170-16164-00	. PLATE, thrust 2 (25-50-2) ..	1	1	1		
11- 4	256-16371-00	. BOSS, clutch .....	1	1	1		
11- 5	256-16331-00	. PLATE, friction 2 .....	4	4	4		
11- 6	256-16321-00	. PLATE, friction 1 .....	2	2	2		
11- 7	256-16325-00	. PLATE, clutch .....	5	5	5		
11- 8	256-16351-00	. PLATE, pressure .....	1	1	1		
11- 9	256-16333-00	. SPRING, clutch .....	6				
	256-16333-10	. SPRING, clutch .....	6	6	6	001080~	
11-10	256-16337-00	. SCREW, spring .....	6	6	6		
11-11	256-16367-00	. RING, cushion .....		6	6		
11-12	256-16356-00	ROD, push 1 .....	1	1	1		
11-13	156-16174-00	NUT, lock .....	1	1	1		
11-14	92900-18100	WASHER, spring .....	1	1	1		
11-15	92900-18200	WASHER, plain .....	1	1	1		
11-16	256-16181-00	SPACER .....	1			Interchangeable with new one	
	256-11181-01	SPACER .....	1	1	1	001841~	
11-17	170-16164-00	PLATE, thrust 2 (25-50-2) ...	1	1	1		
11-18	131-15653-00	WASHER (25.2-36-1.0) ....	1	1	1		
11-19	93505-16006	BALL (5/16") .....	1	1	1		
11-20	256-16357-00	ROD, push .....	1	1	1		
11-21	93102-08094	OIL SEAL (SD-8-25-6) .....	1	1	1		

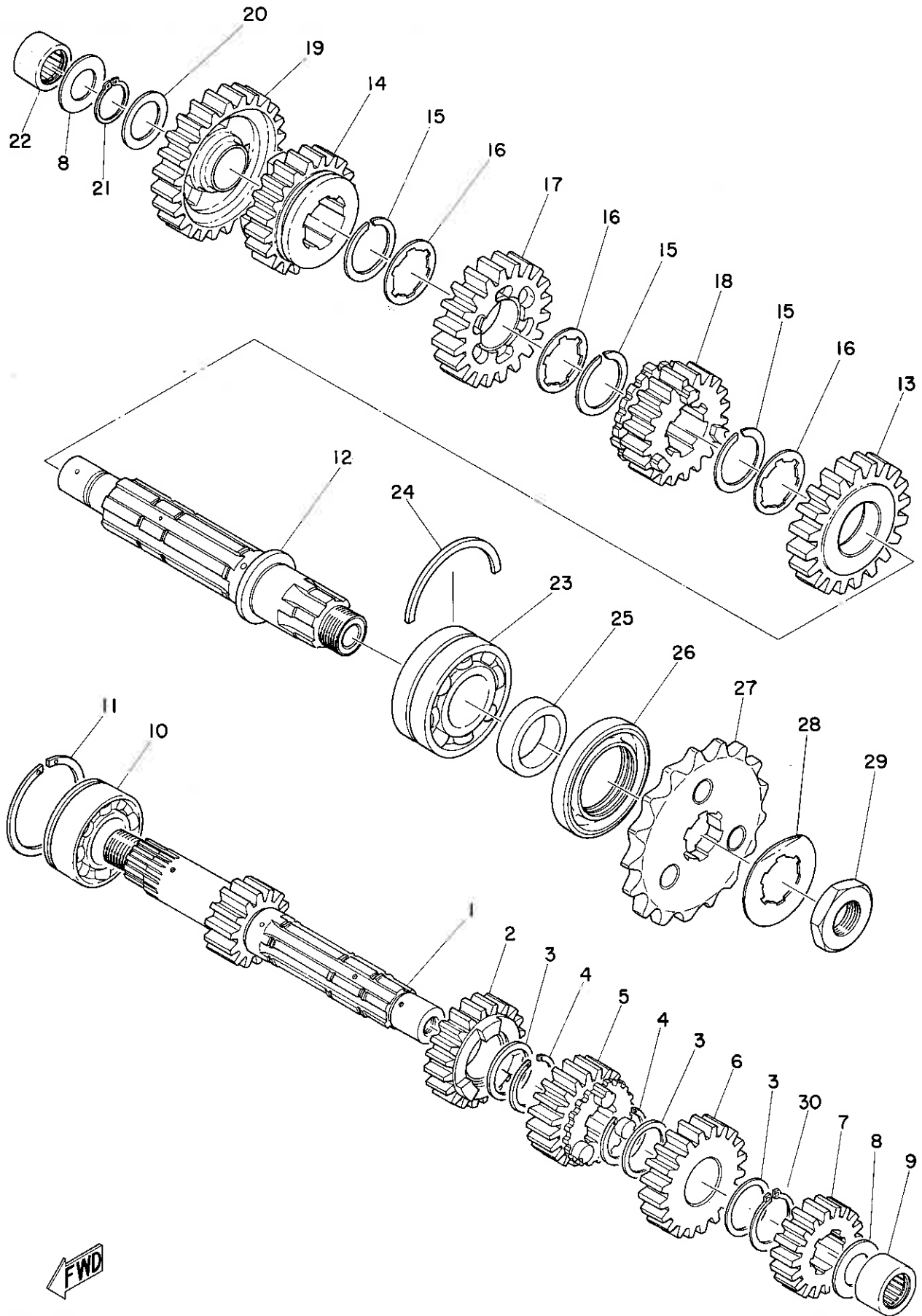
Fig. 11 CLUTCH



# CLUTCH

Ref. No.	Parts No.	Description	Q'ty			Applicable Machine No.	Remarks
			XS1	XS1F	XS2		
11-22	256-16340-00	PUSH LEVER ASS'Y	1				
	256-16340-01	PUSH LEVER ASS'Y	1	1	1	001125~	
11-23	214-16347-01	SEAL, dust	1	1	1	001125~	
11-24	214-16343-00	SCREW, adjusting	1				
	256-16343-01	SCREW, adjusting	1	1	1	001125~	
11-25	214-16344-00	NUT, adjusting	1	1	1		
11-26	256-16396-00	HOUSING, push screw	1				
	256-16396-01	HOUSING, push screw	1	1	1	001125~	
11-27	92501-06018	SCREW, pan head	2				
	98501-05012	SCREW, pan head	2	2	2	001125~	
11-28	214-16389-00	JOINT	1	1	1		
11-29	214-16379-00	PIN	1	1	1		
11-30	91401-10010	PIN, cotter	1	1	1		
11-31	137-16345-00	SPRING, return	1				
	168-16345-00	SPRING, return	1	1	1	001125~	
11-32	132-16346-00	HOOK, spring	1	1	1		

Fig.12 TRANSMISSION

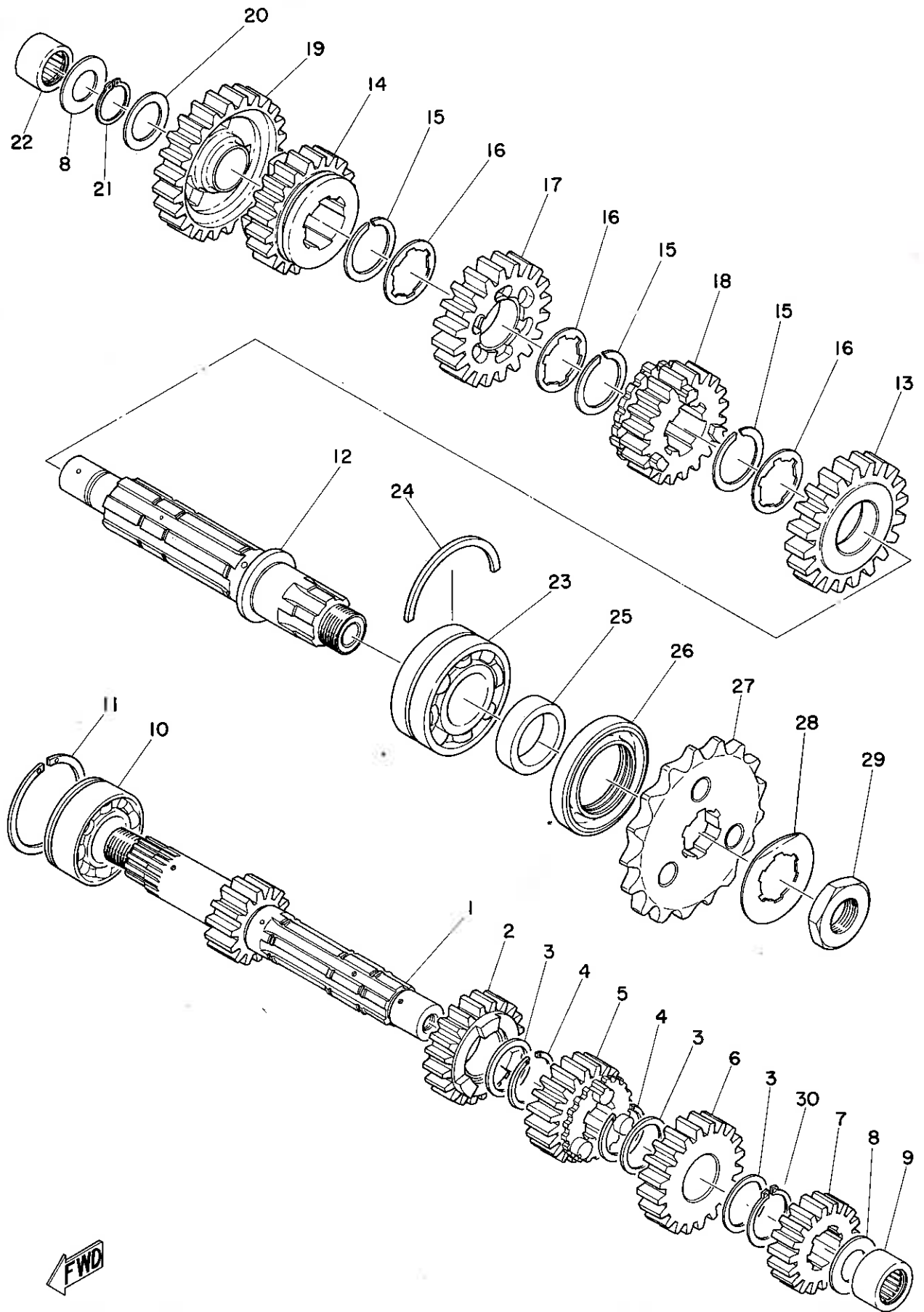




# TRANSMISSION

Ref. No.	Parts No.	Description	Q'ty			Applicable Machine No.	Remarks
			XS1	XS1F	XS2		
12- 1	256-17411-00	AXLE, main (14T) .....	1	1			
	306-17411-00	AXLE, main (13T) .....			1		
12- 2	256-17141-00	GEAR, 4th pinion (21T) ....	1	1	1		
12- 3	256-17154-00-10	WASHER, gear hold 5 (25.2-30-1.0) .....					
	256-17154-00-12	WASHER, gear hold 5 (25.2-30-1.2) .....					
			U.R	U.R	U.R		
			3	3	3		
12- 4	93440-25020	CIRCLIP .....	2	2	2		
12- 5	256-17131-00	GEAR, 3rd pinion (20T) ....	1	1	1		
12- 6	256-17151-00	GEAR, 5th pinion (23T) ....	1	1	1		
12- 7	256-17121-00	GEAR, 2nd pinion (17T) .....	1	1	1		
12- 8	137-17427-00-06	SHIM, drive axle (20.2-33-0.6) .....					
	137-17427-00-10	SHIM, drive axle (20.2-33-1.0) .....					
			U.R	U.R	U.R		
			2	2	2		
12- 9	93313-32006	BEARING .....	1				
	93313-32007	BEARING .....	1	1	1	001235~	
12-10	93305-20501	BEARING (5205) .....	1	1	1		
12-11	93440-52014	CIRCLIP .....	1	1	1		
12-12	256-17421-00	AXLE, drive .....	1	1	1		
12-13	256-17221-00	GEAR, 2nd wheel (27T) .....	1	1	1		
12-14	256-17241-00	GEAR, 4th wheel (23T) .....	1	1	1		
12-15	93440-30015	CIRCLIP .....	3	3	3		
12-16	256-17236-00-10	WASHER, gear hold 3 (26.2-34-1.0) .....					
	256-17236-00-12	WASHER, gear hold 3 (26.2-34-1.2) .....					
			U.R	U.R	U.R		
			3	3	3		
12-17	256-17231-00	GEAR, 3rd wheel (26T) .....	1	1	1		

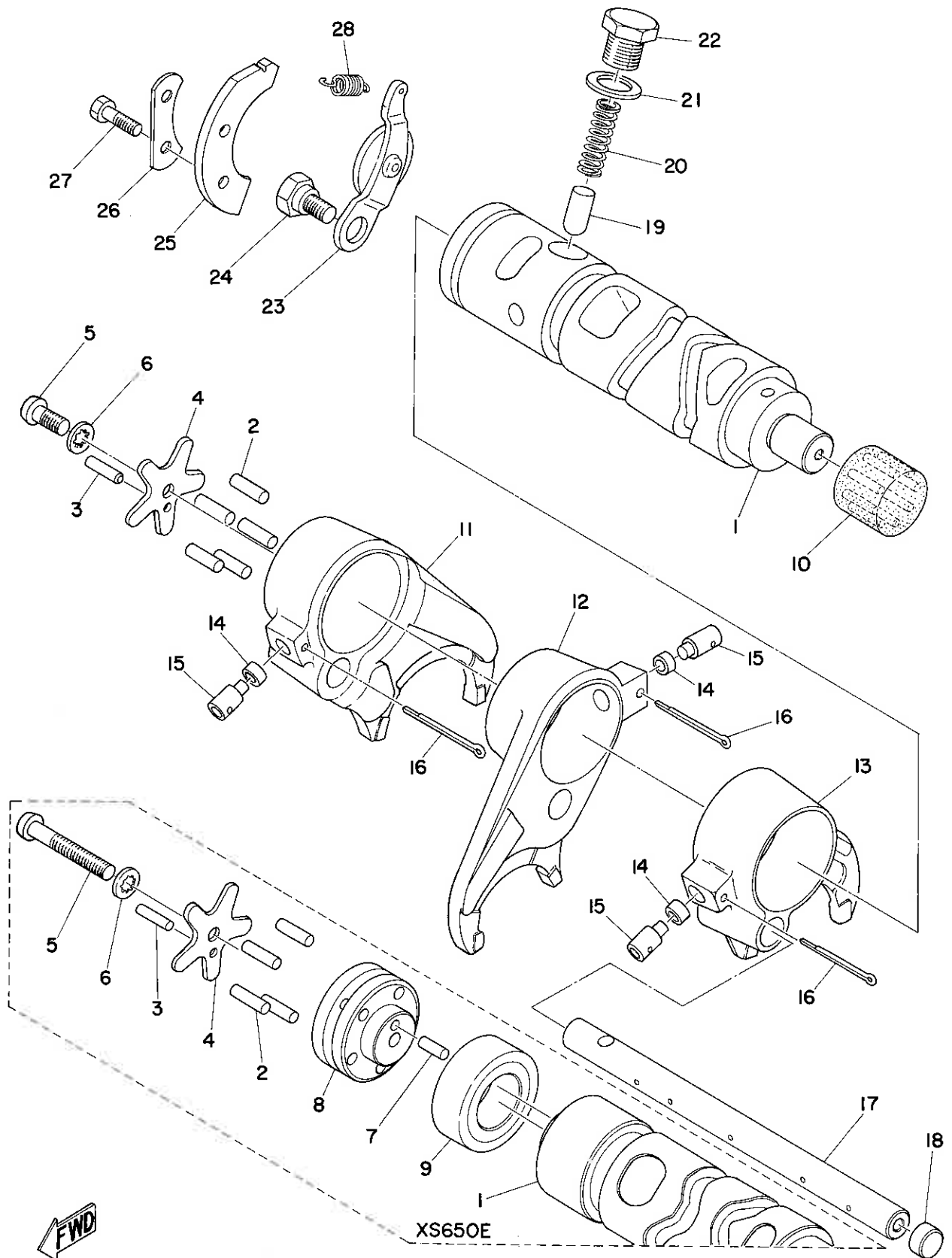
Fig.12 TRANSMISSION



# TRANSMISSION

Ref. No.	Parts No.	Description	Q'ty			Applicable Machine No.	Remarks
			XS1	XS1F	XS2		
12-18	256-17251-00	GEAR, 5th wheel (22T)	1	1	1		
12-19	256-17211-00	GEAR, 1st wheel (31T)	1	1			
	306-17211-00	GEAR, 1st wheel (32T)			1		
12-20	132-17216-00	WASHER, gear hold (20-25-1.0)	1	1	1		
12-21	93410-20021	CIRCLIP (S-20)	1	1	1		
12-22	93313-32005	BEARING	1	1	1		
12-23	93305-20601	BEARING (5206)	1	1	1		
12-24	168-17424-00	CIRCLIP	1	1	1		
12-25	256-17462-00	COLLAR, distance	1	1	1		
12-26	93105-40016	OIL SEAL (SDO-40-62-9)	1	1	1		
12-27	256-17461-70	SPROCKET, drive (17T)	1	1	1		
12-28	256-17464-00	WASHER, lock	1	1	1		
12-29	256-17463-00	NUT, lock	1	1	1		
12-30	93440-25020	CIRCLIP	1				
	93410-25017	CIRCLIP (S-25)	1	1	1		

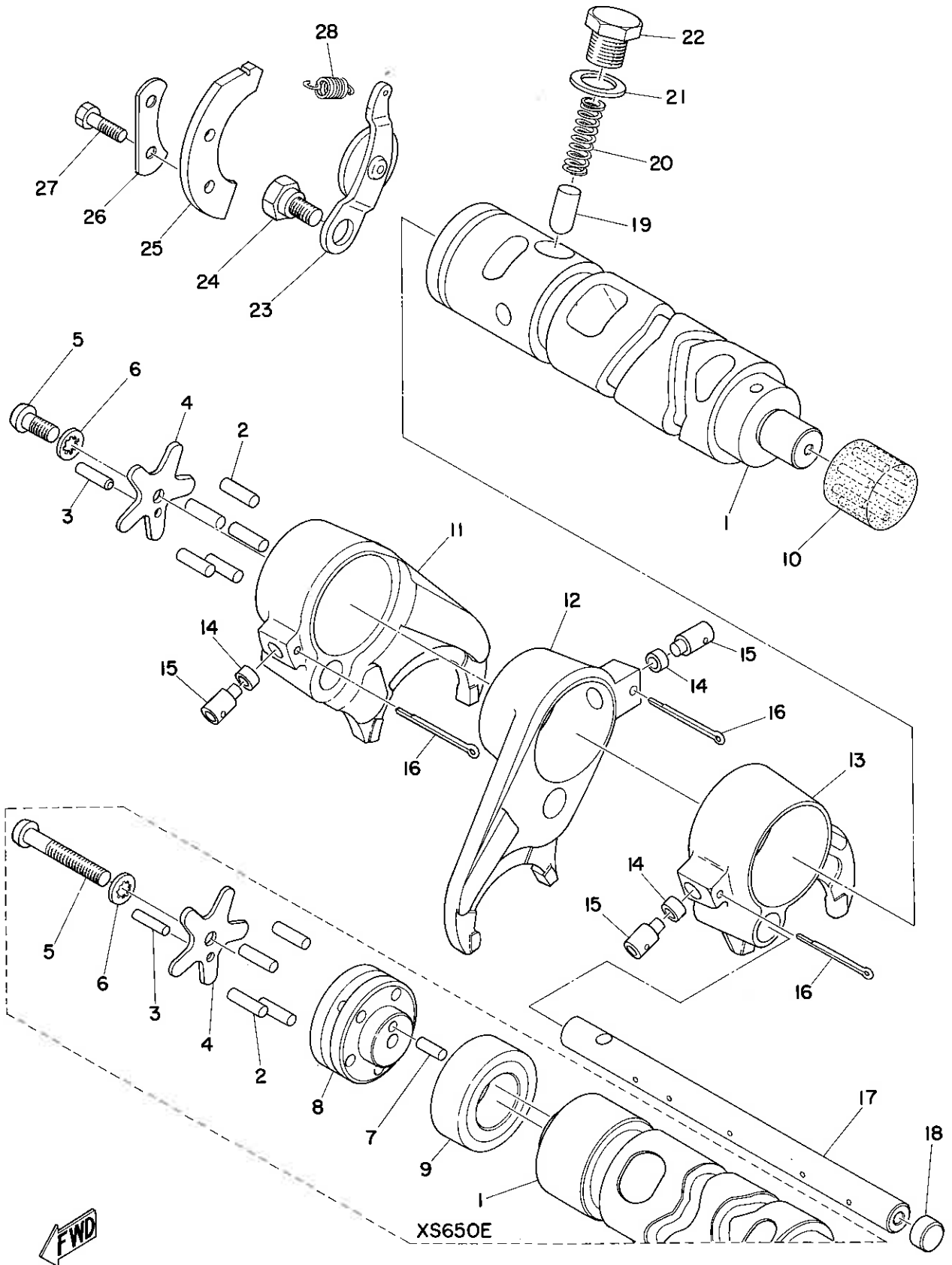
Fig. 13 SHIFTER A



# SHIFTER A

Ref. No.	Parts No.	Description	Q'ty			Applicable Machine No.	Remarks
			XS1	XS1F	XS2		
13- 0-1	256-18540-00	SHIFT CAM ASS'Y .....	1	1			
	306-18540-00	SHIFT CAM ASS'Y .....			1		
13- 1	256-18541-00	. CAM, shift .....	1	1		Not for sale	
	306-18541-00	. CAM, shift .....			1	Not for sale	
13- 2	93604-14012	. PIN, dowel (4-13.8) .....	5	5	4		
13- 3	93603-14026	. PIN, dowel (3-14) .....	1	1	1		
13- 4	168-18561-00	. PLATE, side .....	1	1	1		
13- 5	98501-05012	. SCREW, pan head .....	1	1			
	98501-05035	. SCREW, pan head .....			1		
13- 6	92901-05300	. WASHER, tooth .....	1	1	1		
13- 7	93604-10011	. PIN, dowel .....			2		
13- 8	306-18546-00	. CAM, shift 2 .....			1	Not for sale	
13- 9	93318-32003	. BEARING .....			1	Not for sale	
13-10	93320-31501	BEARING .....	1	1	1		
13-11	256-18513-00	FORK, shift 4th gear wheel	1	1	1		
13-12	256-18512-00	FORK, shift 3rd pinion .....	1	1	1		
13-13	256-18511-00	FORK, shift 5th gear wheel	1	1	1		
13-14	136-18551-00	ROLLER, cam follower ....	3	3	3		
13-15	168-18552-00	PIN, cam follower .....	3				
	256-18552-00	PIN, cam follower .....	3	3	3	001113~	
13-16	168-18553-00	PIN, cotter .....	3				
	91401-25025	PIN, cotter .....	3	3	3	001113~	
13-17	256-18531-00	BAR, shift fork guide .....	1	1	1		
13-18	150-18328-00	PLUG, blind .....	1				
	256-15439-00	PLUG, blind .....	1	1	1		
13-19	136-18547-00	STOPPER, cam .....	1	1	1		

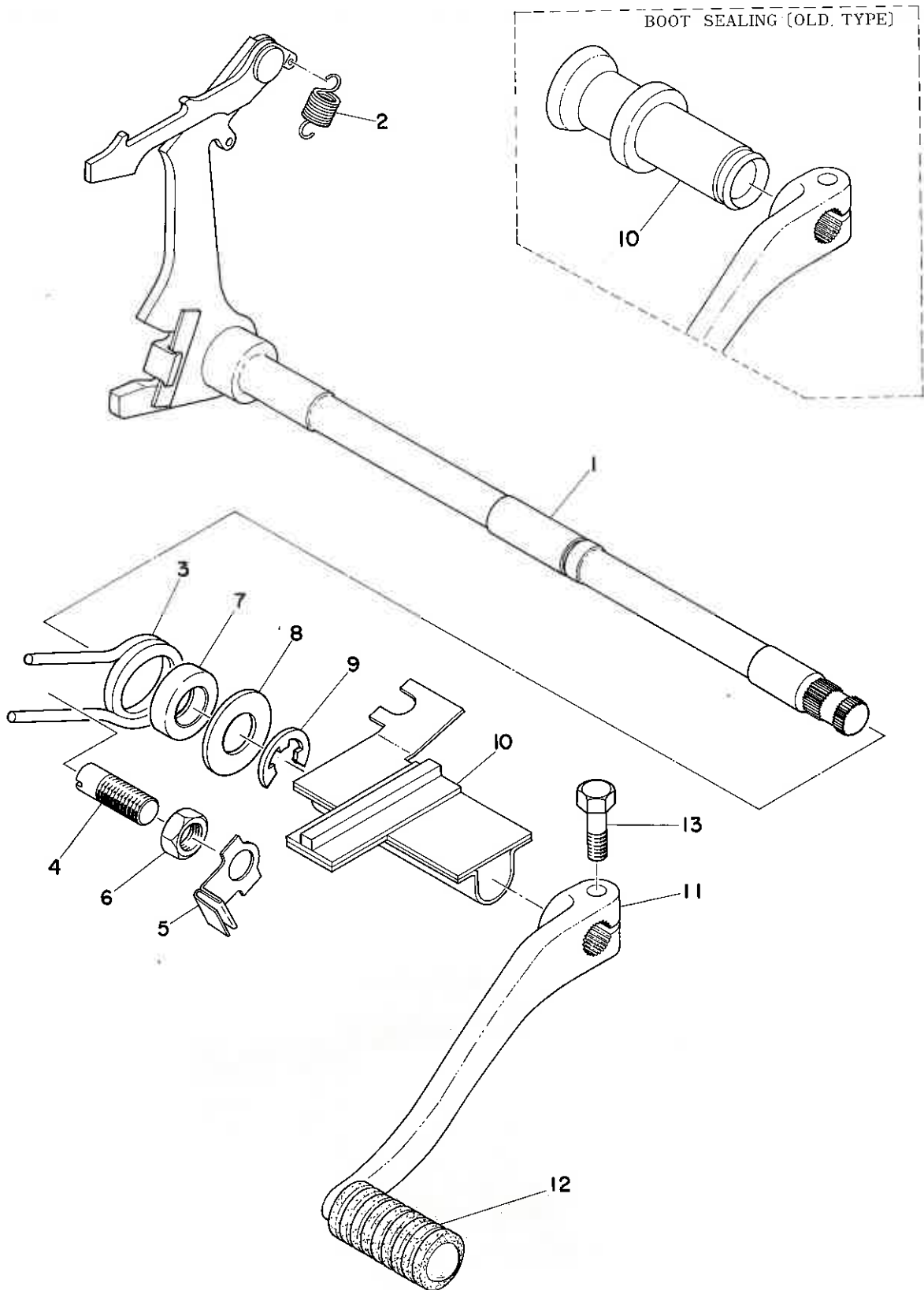
Fig.13 SHIFTER A



# SHIFTER A

Ref. No.	Parts No.	Description	Q'ty			Applicable Machine No.	Remarks
			XS1	XS1F	XS2		
13-20	168-18558-00	SPRING, neutral	1	1			
	306-18558-00	SPRING, neutral			1		
13-21	256-18567-00	GASKET (16.5-24-1.0)	1	1	1		
13-22	256-18577-00	SCREW, spring	1	1	1		
13-23	256-18140-00	STOPPER LEVER ASS'Y	1	1	1		
13-24	256-18177-00	BOLT, stopper	1	1	1		
13-25	256-18562-00	PLATE, stopper	1	1	1		
13-26	256-18565-00	PLATE, lock screw	1	1	1		
13-27	256-18594-00	BOLT	2	2	2		
13-28	256-18143-01	SPRING	1	1	1		

Fig. 14 SHIFTER B

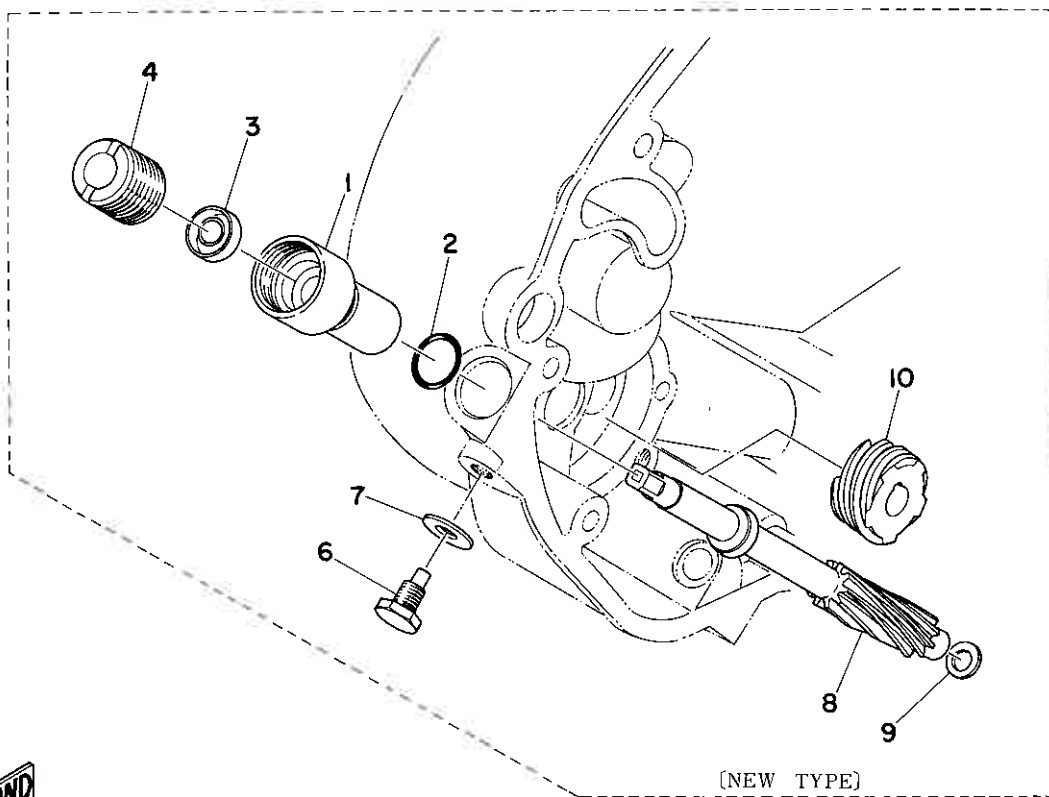
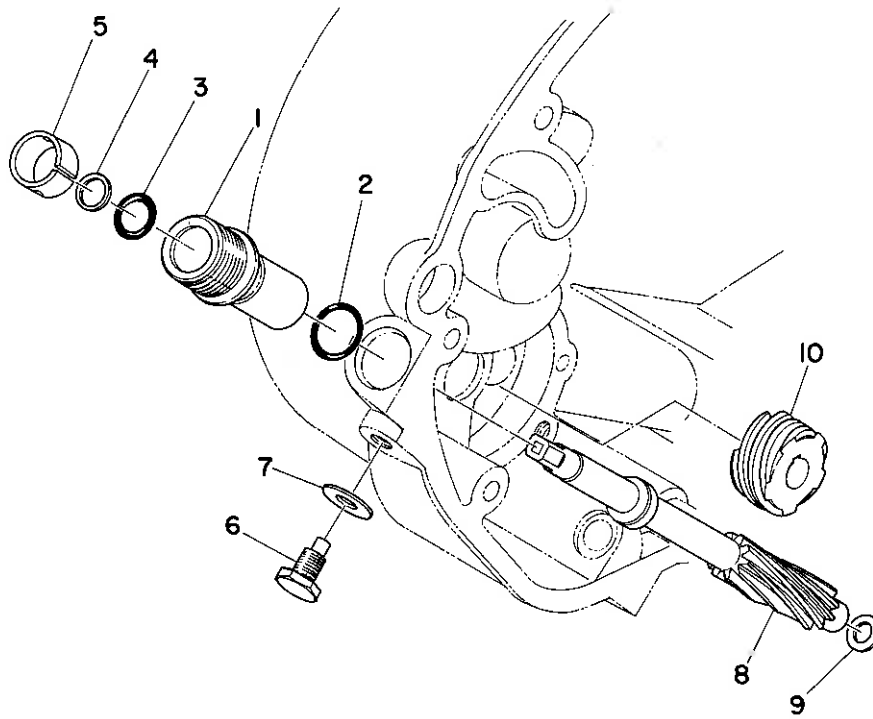




## SHIFTER B

Ref. No.	Parts No.	Description	Q'ty			Applicable Machine No.	Remarks
			XS1	XS1F	XS2		
14- 1	256-18101-00	CHANGE SHAFT ASS'Y	1	1	1		
14- 2	168-18123-00	. SPRING	1	1	1		
14- 3	168-18124-00	SPRING, shaft return	1	1	1		
14- 4	168-18133-00	SCREW, adjusting	1	1	1		
14- 5	256-18139-00	WASHER, lock	1	1			
	306-18139-00	WASHER, lock			1		
14- 6	169-26251-00	NUT, lock	1	1	1		
14- 7	93109-14010	OIL SEAL (SDO-14-24-6)	1	1	1		
14- 8	248-18137-00	WASHER, change axle	1	1	1		
14- 9	93430-12009	CIRCLIP (E-12)	1	1	1		
14-10	256-18131-00	BOOT, sealing	1				
	256-17466-00	GUIDE, chain	1	1	1	000136~	
14-11	150-18111-00	PEDAL, change	1				
	256-18111-00	PEDAL, change	1	1	1		
14-12	132-18113-01	COVER, change pedal	1	1	1		
14-13	91103-06020	BOLT	1	1	1		

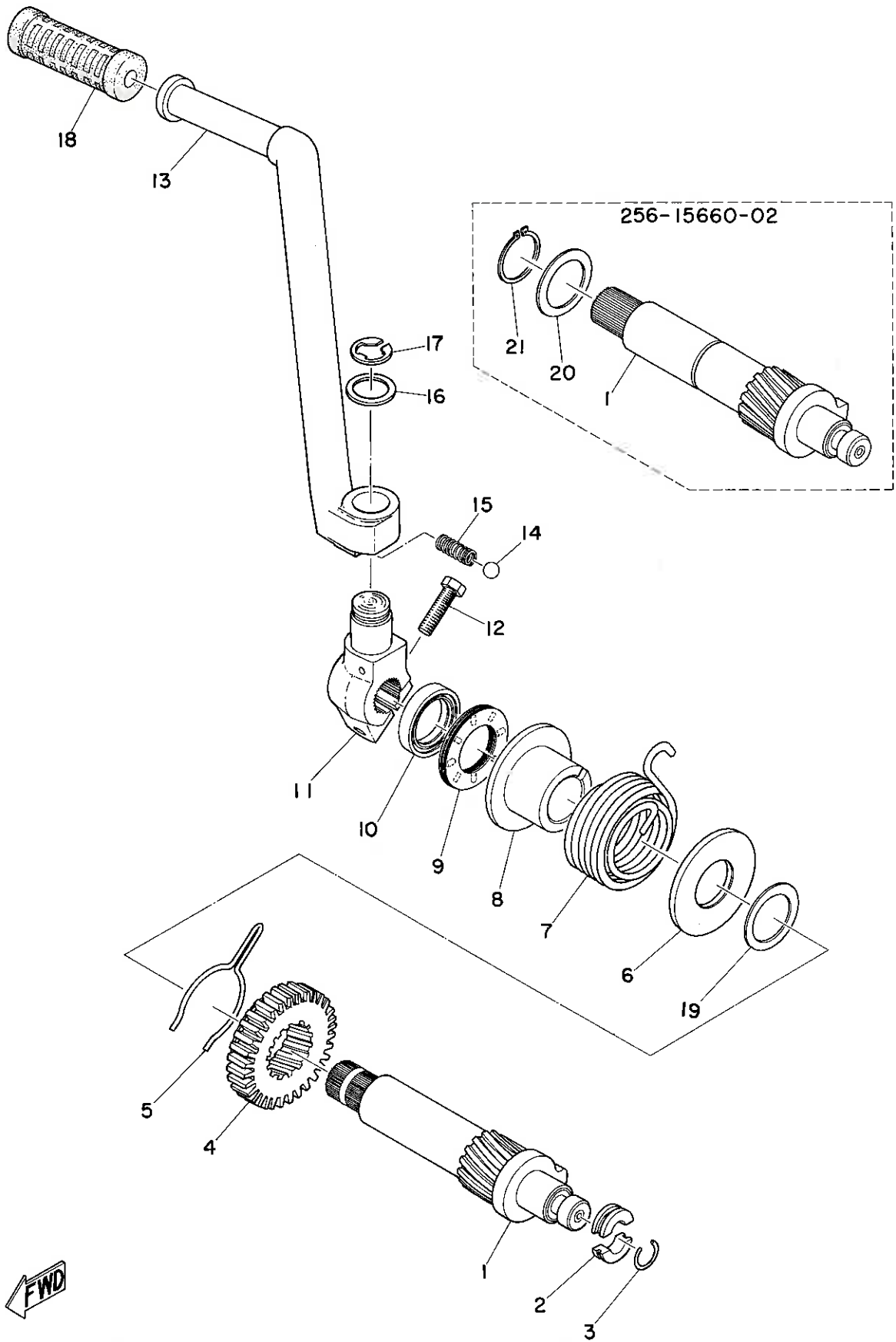
Fig. 15 TACHOMETER GEAR



# TACHOMETER GEAR

Ref. No.	Parts No.	Description	Q'ty			Applicable Machine No.	Remarks
			XS1	XS1F	XS2		
15- 1	256-17811-00	HOUSING .....	1	1			
	256-17811-01	HOUSING .....		1	1	017968~	
15- 2	93210-12154	O-RING (1.3-11.5) .....	1	1	1		
15- 3	93210-07135	O-RING (2.4-6.9) .....	1	1			
	93104-07036	OIL SEAL (SO-7-13-4) .....		1	1	017968~	
15- 4	214-17847-00	SHIM (7.5-10.8-0.4) .....	1	1			
	256-17848-00	ADAPTER .....		1	1	017968~	
15- 5	214-17815-00	BUSHING .....	1	1		Disused 017968~	
15- 6	256-17867-00	BOLT, stopper .....	1	1	1		
15- 7	256-11396-00	GASKET, holder (6.3-12.5-1.0) 1	1	1	1		
15- 8	256-17841-00	GEAR, driven .....	1	1			
	256-17841-01	GEAR, driven .....		1	1	017968~	
15- 9	256-17837-00	SHIM (8.2-12-1.0) .....	1	1	1		
15-10	256-17831-00	GEAR, drive .....	1	1	1		

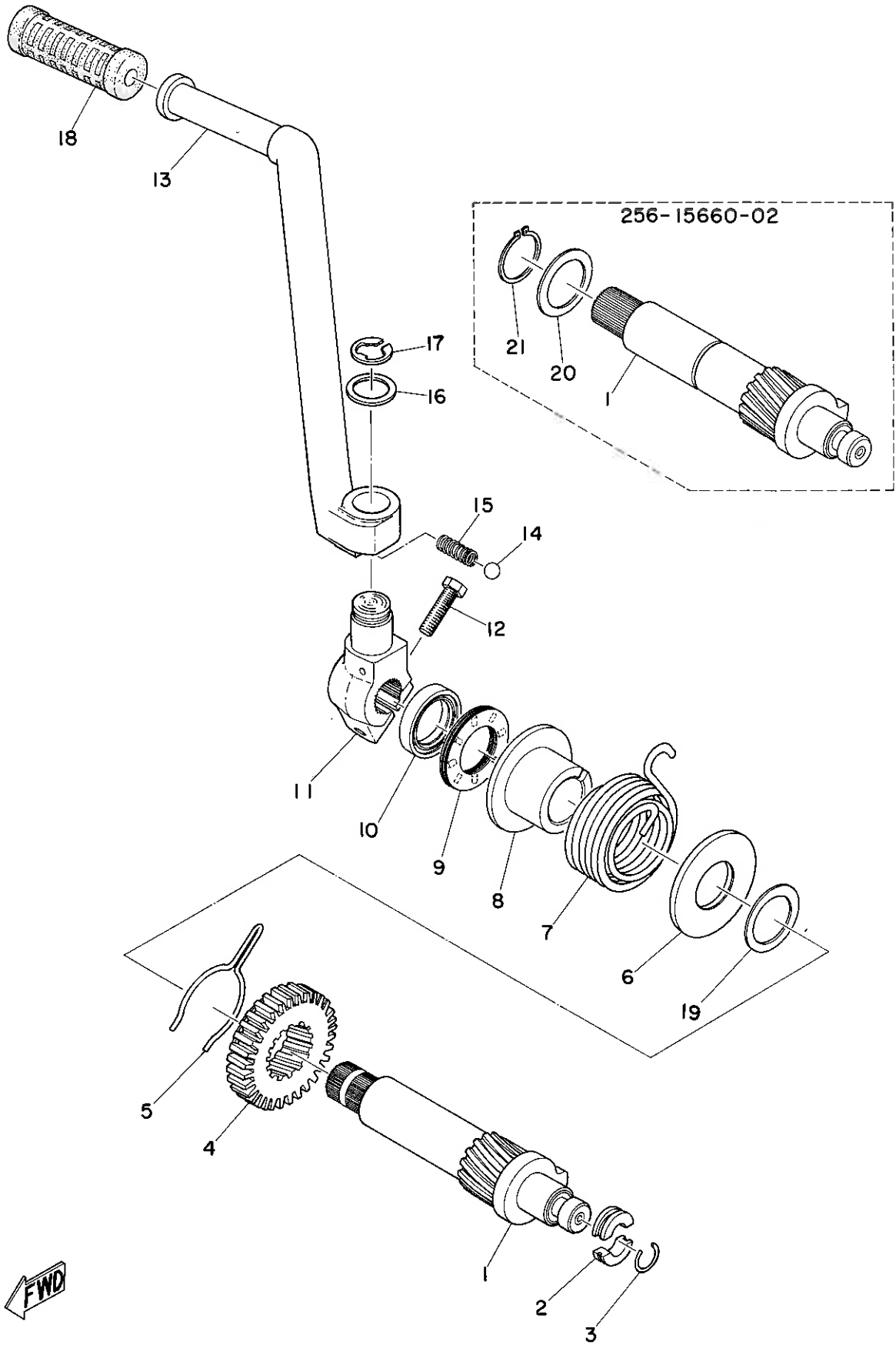
Fig. 16 STARTER



# STARTER

Ref. No.	Parts No.	Description	Q'ty			Applicable Machine No.	Remarks
			XS1	XS1F	XS2		
16- 1	256-15660-00	KICK AXLE ASS'Y	1				
	256-15660-01	KICK AXLE ASS'Y	1	1		005830~	
	256-15660-02	KICK AXLE ASS'Y	1	1		008422~	
16- 2	256-15654-00	HOLDER	2	2	2		
16- 3	256-15673-00	CLIP	1	1	1		
16- 4	256-15641-00	GEAR, kick (26T)	1			Interchangeable with new one	
	256-15641-01	GEAR, kick (26T)	1	1			005530~
	306-15641-00	GEAR, kick (25T)			1		
16- 5	256-15687-00	CLIP, kick	1	1	1		
16- 6	256-15666-00	SPACER (25.4-53-4)	1	1	1		
16- 7	256-15665-00	SPRING, kick	1	1	1		
16- 8	256-15664-00	GUIDE, spring	1	1	1		
16- 9	93342-22502	BEARING, thrust	1			Disused 008442~	
16-10	93102-25064	OIL SEAL (SD-25-35-7)	1	1	1		
16-11	256-15621-00	BOSS, kick crank	1	1	1		
16-12	97201-08030	BOLT	1	1	1		
16-13	256-15611-00-93	CRANK, kick	1	1	1		
16-14	93505-16006	BALL (5/16")	1	1	1		
16-15	168-15622-01	SPRING, boss stopper	1	1	1		
16-16	256-15615-00	WASHER	1	1	1		
16-17	93430-12022	CIRCLIP (E-12)	1	1	1		
16-18	214-15618-00	COVER, kick lever	1	1	1		

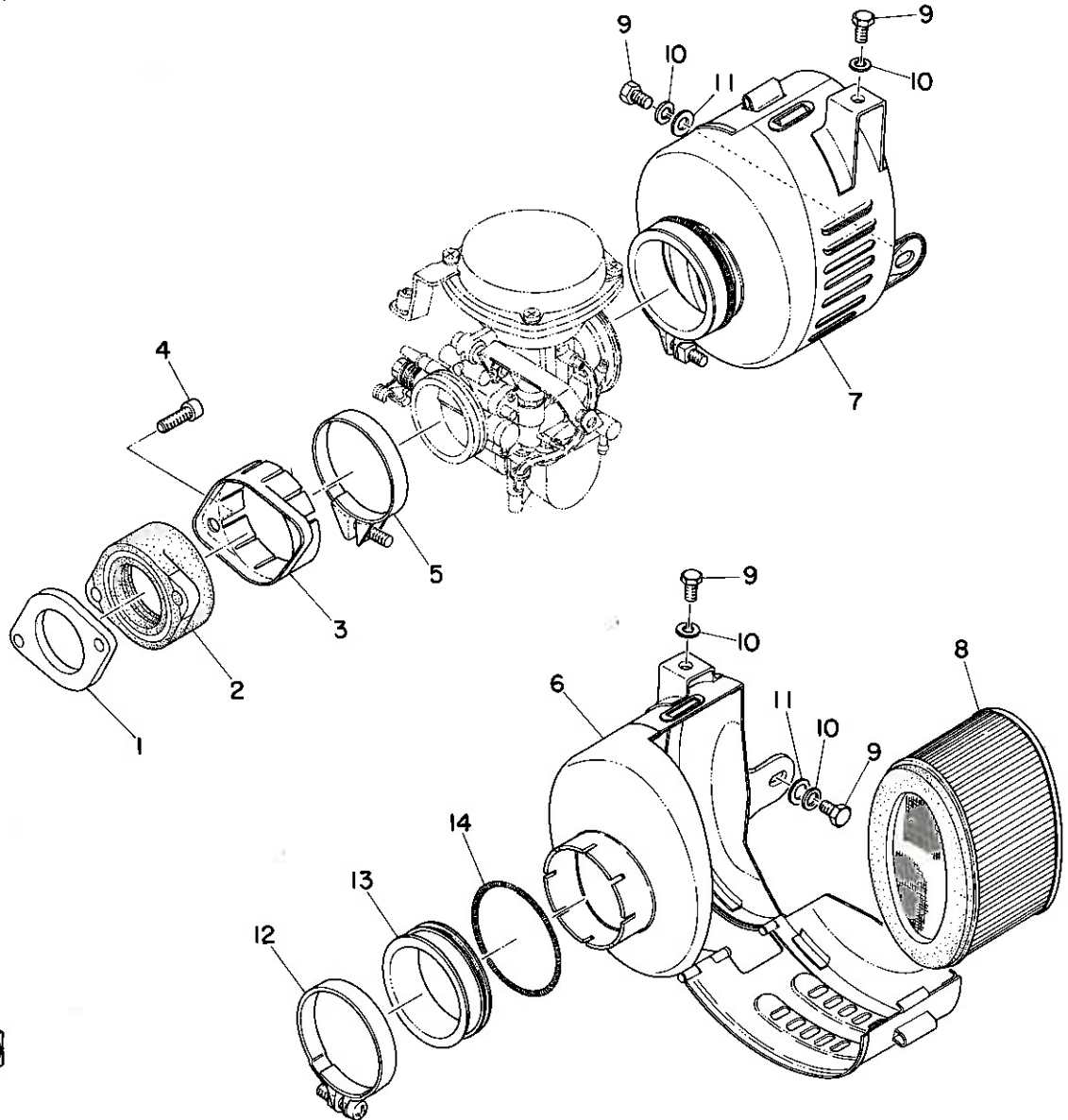
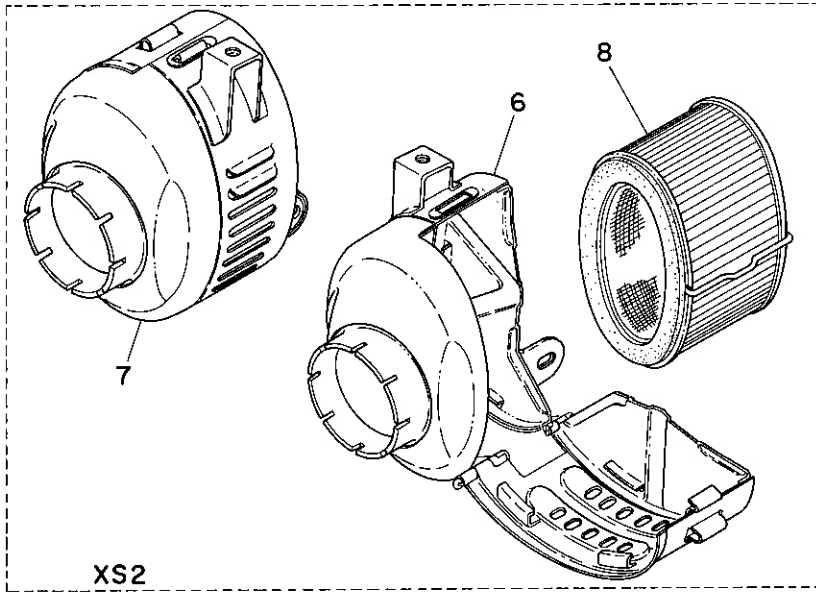
Fig. 16 STARTER



# STARTER

Ref. No.	Parts No.	Description	Q'ty			Applicable Machine No.	Remarks
			XS1	XS1F	XS2		
16-19	611-45567-00-05	SHIM (25.5-35-0.5) .....	1	1	1		
16-20	131-15653-00	SHIM (25.2-36-1.0) .....		2	2	008442~	
16-21	93410-25017	CIRCLIP (S-25) .....		1	1	008442~	

Fig. 17 INTAKE

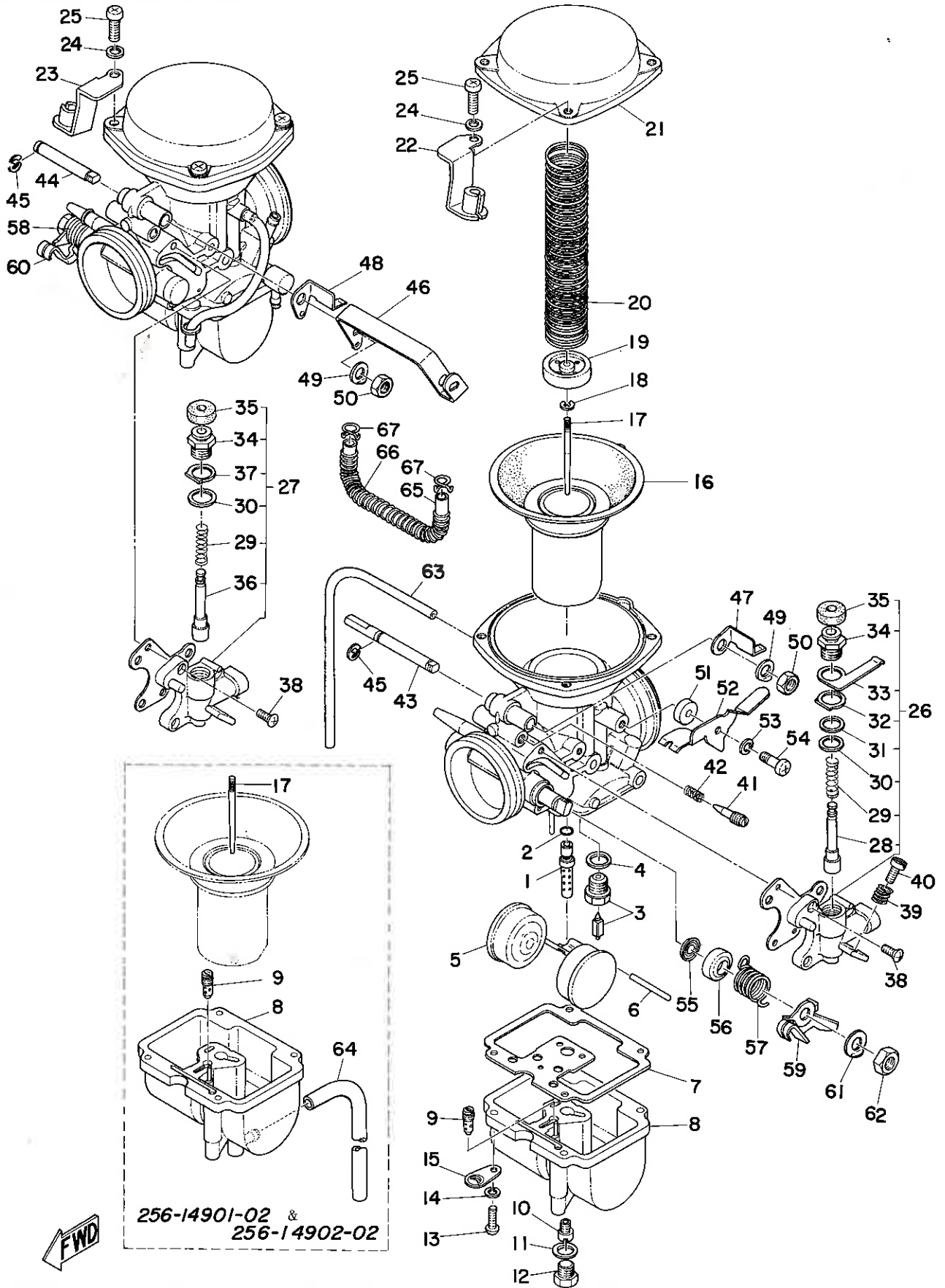




# INTAKE

Ref. No.	Parts No.	Description	Q'ty			Applicable Machine No.	Remarks
			XS1	XS1F	XS2		
17- 1	256-13556-00	GASKET, joint	2	2	2		
17- 2	256-13565-00	JOINT, carburetor 2	2	2	2		
17- 3	256-13564-00	COVER, joint	2	2	2		
17- 4	91316-06020	BOLT	4	4	4		
17- 5	256-14456-00	BAND	2	2	2		
17- 6	256-14411-00	CASE, air cleaner left	1	1			
	306-14411-00	CASE, air cleaner left			1		
17- 7	256-14421-00	CASE, air cleaner right	1	1			
	306-14421-00	CASE, air cleaner right			1		
17- 8	256-14451-00	ELEMENT	2	2			
	306-14451-00	ELEMENT			2		
	306-14451-60	ELEMENT			2	Destined for W. Germany	
17- 9	91201-06015	BOLT	4	4	4		
17-10	92900-06100	WASHER, spring	4	4	4		
17-11	92901-06200	WASHER, plain	2	2	2		
17-12	256-14455-00	BAND	2	2	2		
17-13	256-14453-00	JOINT, cleaner	2	2	2		
17-14	256-14487-00	SPRING	2	2	2		

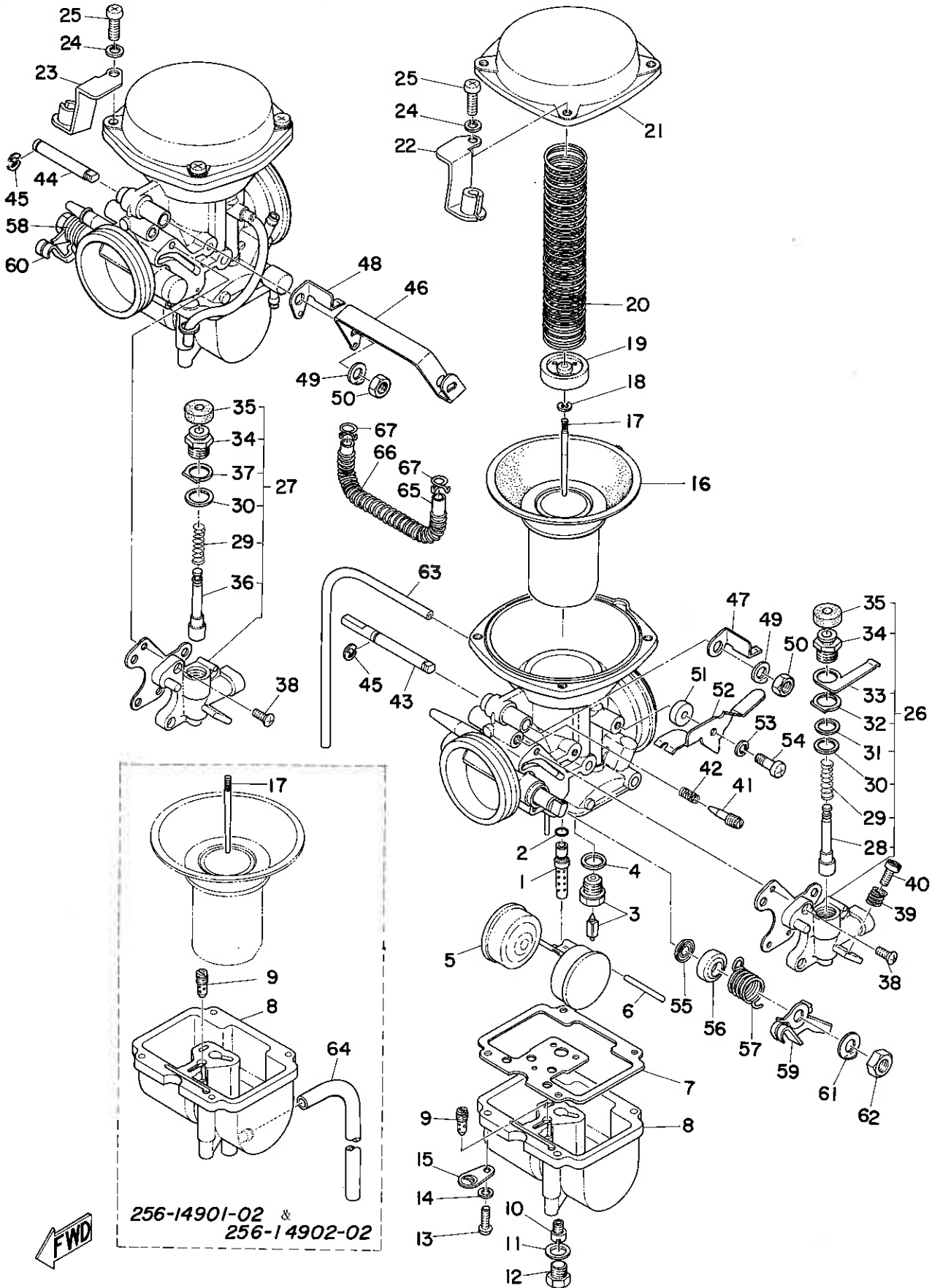
Fig. 18 CARBURETOR (XS1 · XS1F)



# CARBURETOR (XS1 · XS1F)

Ref. No.	Parts No.	Description	Q'ty			Applicable Machine No.	Remarks
			XS1	XS1F	XS2		
18- 0-1	256-14901-00	CARBURETOR ASS'Y, left ....	1				
	256-14901-01	CARBURETOR ASS'Y, left ...	1			002515~	
	256-14901-02	CARBURETOR ASS'Y, left ...	1	1		003629~	
18- 0-2	256-14902-00	CARBURETOR ASS'Y, right	1				
	256-14902-01	CARBURETOR ASS'Y, right	1			002515~	
	256-14902-02	CARBURETOR ASS'Y, right	1	1		003629~	
18- 1	256-14941-46	. NOZZLE, main (Z-6) ....	2	2	✓	2x	
18- 2	93210-03142	. O-RING .....	2	2	✓	4x	
18- 3	168-14190-15	. VALVE SEAT ASS'Y (#1.5)	2	2			
	168-14190-25	. VALVE SEAT ASS'Y (#2.5)	2	2			
18- 4	256-14955-00	. WASHER .....	2	2			
18- 5	256-14985-00	. FLOAT .....	2	2			
18- 6	137-14186-00	. PIN, float .....	2	2			
18- 7	256-14984-00	. PACKING, float chamber	2	2	✓	2x	
18- 8	256-14981-00	. BODY, float chamber ....	2	2			
	256-14981-01	. BODY, float chamber	2	2		003629~	
18- 9	256-14942-45	. JET, pilot (#45) .....	2	2			
	256-14942-42	. JET, pilot (#42.5) .....	2	2	✓	2x 003629~	
18-10	256-14944-24	. JET, main (#120) .....	2	2			
	256-14944-26	. JET, main (#130) .....	2	2			
	256-14944-28	. JET, main (#140) .....	2	2			
	256-14944-30	. JET, main (#150) .....	2	2			
18-11	256-14956-01	. WASHER .....	2	2			
18-12	256-14991-00	. SCREW, plug .....	2	2			
18-13	98503-04012	. SCREW, pan head .....	8	8			
18-14	92903-04100	. WASHER, spring .....	8	8			

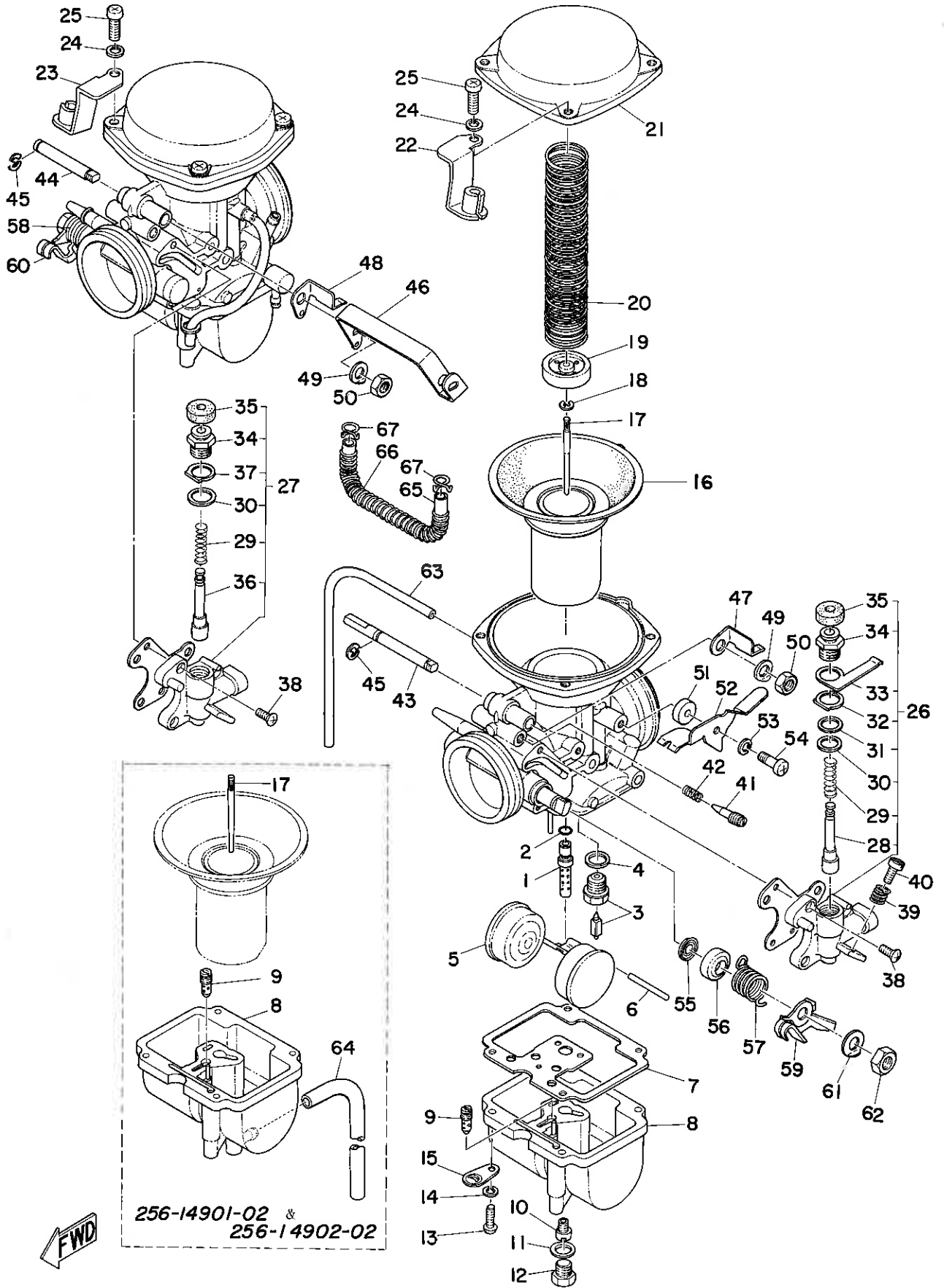
Fig. 18 CARBURETOR (XS1 · XS1F)



# CARBURETOR (XS1 · XS1F)

Ref. No.	Parts No.	Description	Q'ty			Applicable Machine No.	Remarks
			XS1	XS1F	XS2		
18-15	256-14146-01	. PLATE .....	2	2			
18-16	256-14940-00	. DIAPHRAGM ASS'Y .....	2	2			
18-17	256-14916-19	. NEEDLE .....	2	2		✓	
18-18	256-14919-00	. CLIP .....	2	2			
18-19	256-14946-00	. PLATE, set needle .....	2	2			
18-20	256-14933-00	. SPRING, diaphragm .....	2	2			
18-21	256-14958-00	. COVER, diaphragm .....	2	2			
18-22	256-14926-00	. BRACKET, throttle left ...	1	1			
18-23	256-14927-00	. BRACKET, throttle right ..	1	1			
18-24	92903-05100	. WASHER, spring .....	8	8			
18-25	98503-05012	. SCREW, pan head .....	8	8			
18-26	256-14971-00	. STARTER BODY ASS'Y, left	1	1			
18-27	256-14972-00	. STARTER BODY ASS'Y, right .....	1	1			
18-28	256-14993-00	. PLUNGER, starter .....	1	1		Left	
18-29	256-14135-00	. . SPRING, plunger .....	2	2			
18-30	256-14954-00	. . WASHER .....	2	2			
18-31	256-14995-00	. . BRACKET .....	1	1		Left	
18-32	256-14957-00	. . WASHER .....	1	1		Left	
18-33	256-14938-00	. . SPRING, set lever, starter	1	1		Left	
18-34	802-14174-00	. . CAP, plunger .....	2	2			
18-35	802-14173-00	. . COVER, plunger cap ....	2	2			
18-36	603-14171-00	. . PLUNGER, starter .....	1	1		Right	

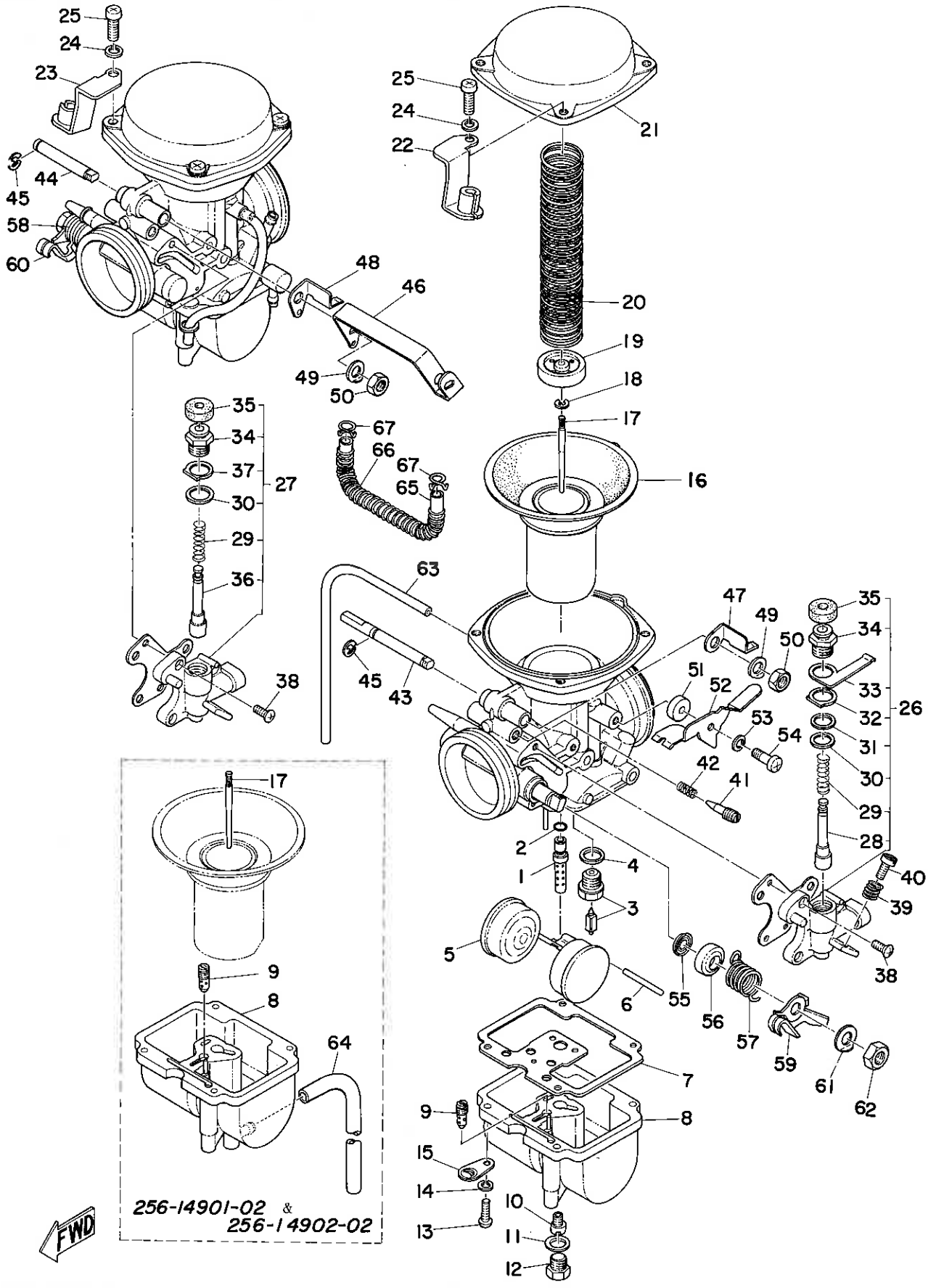
Fig. 18 CARBURETOR (XS1 · XS1F)



# CARBURETOR (XS1 · XS1F)

Ref. No.	Parts No.	Description	Q'ty			Applicable Machine No.	Remarks
			XS1	XS1F	XS2		
18-37	256-14962-00	. WASHER	1	1		Right	
18-38	98203-05010	. SCREW, flat head	6	6			
18-39	256-14934-01	. SPRING, throttle stop	2	2			
18-40	256-14922-00	. SCREW, throttle stop	2	2			
18-41	256-14923-00	. SCREW, pilot	2	2			
18-42	127-14134-00	. SPRING, pilot screw	2	2			
18-43	256-14977-00	. SHAFT, starter left	1	1			
18-44	256-14978-00	. SHAFT, starter right	1	1			
18-45	256-14937-00	. CLIP	2	2			
18-46	256-14974-00	. LEVER, connector	1	1			
18-47	256-14975-00	. LEVER, starter left	1	1			
18-48	256-14976-00	. LEVER, starter right	1	1			
18-49	256-14973-00	. WASHER	2	2			
18-50	92803-10300	. NUT	2	2			
18-51	256-14918-00	. RING	1	1			
18-52	256-14905-00	. LEVER ASS'Y	1	1			
18-53	92903-04100	. WASHER, spring	1	1			
18-54	98503-04012	. SCREW, pan head	1	1			
18-55	256-14997-00	. SEAL	4	4			
18-56	256-14969-00	. CAP	2	2			
18-57	256-14931-00	. SPRING, throttle left	1	1			
18-58	256-14932-00	. SPRING, throttle right	1	1			
18-59	256-14914-00	. LEVER, throttle left	1	1			
18-60	256-14915-00	. LEVER, throttle right	1	1			

Fig. 18 CARBURETOR (XS1 - XS1F)

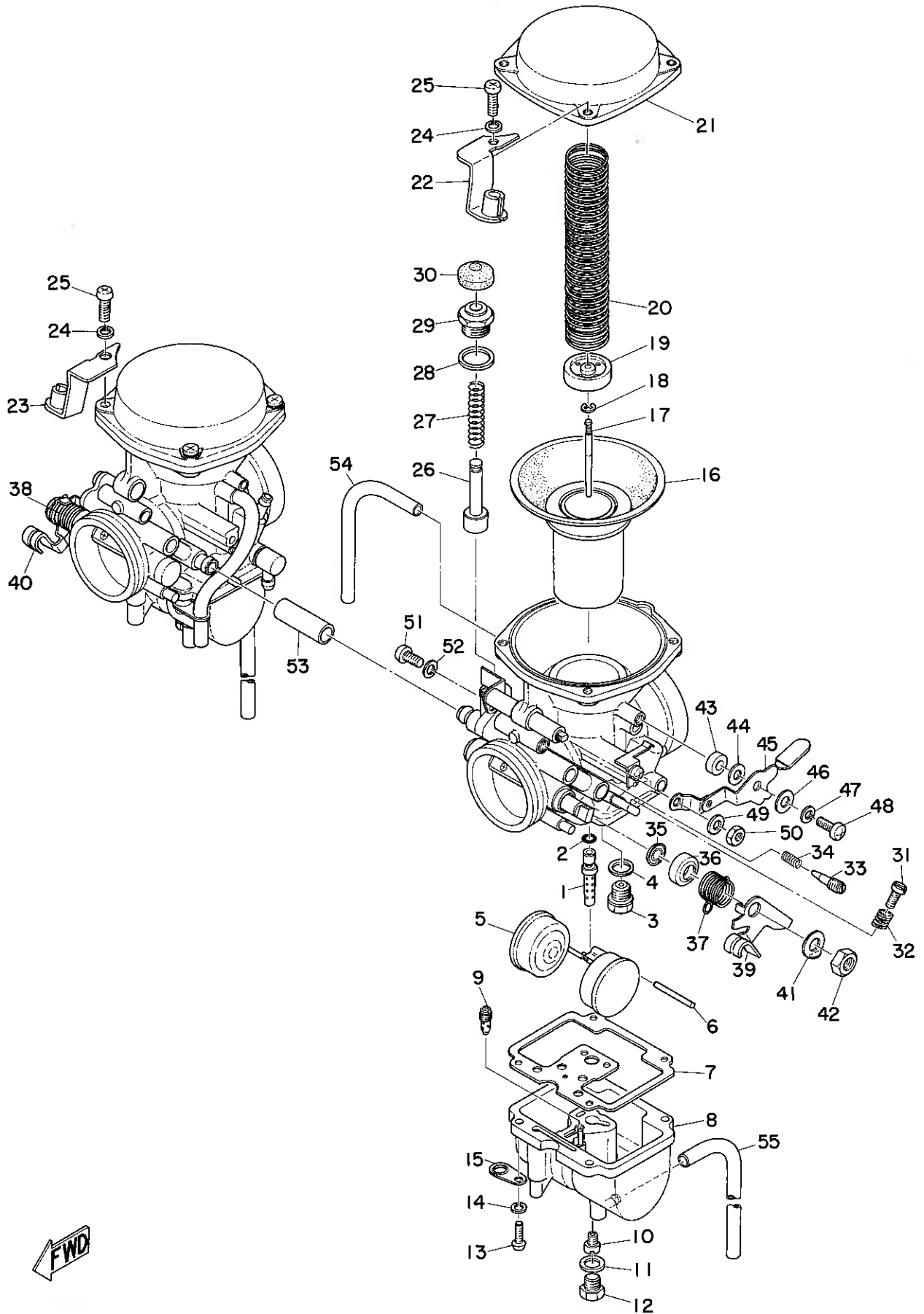




# CARBURETOR (XS1 · XS1F)

Ref. No.	Parts No.	Description	Q'ty		Applicable Machine No.	Remarks
			XS1	XS1F XS2		
18-61	256-14953-00	. WASHER .....	2	2		
18-62	98802-12200	. NUT .....	2	2		
18-63	183-14197-00	. PIPE, over flow (3-160) ..	2	2		
	256-14197-01	. PIPE, over flow .....		2		
18-64	256-14987-00	. PIPE .....	2	2		003629~
18-65	170-24311-00	PIPE, fuel (5-140) .....	1	1		
18-66	256-24333-00	SPRING .....	1	1		
18-67	101-24356-00	CLIP, pipe .....	2	2		

Fig. 19 CARBURETOR (XS2)

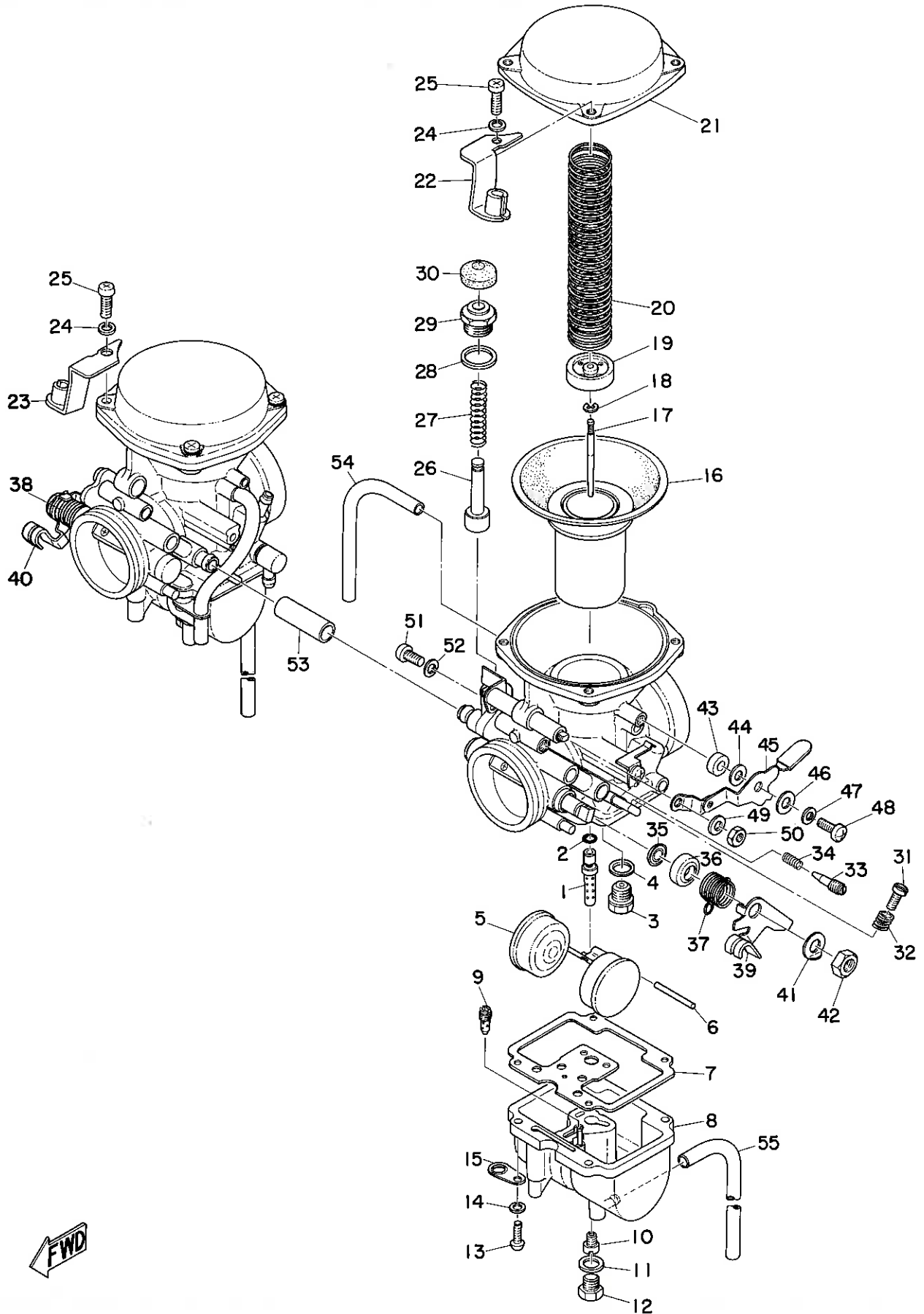


FWD

# CARBURETOR (XS2)

Ref. No.	Parts No.	Description	Q'ty			Applicable Machine No.	Remarks
			XS1	XS1F	XS2		
19- 0-1	306-14901-00	CARBURETOR ASS'Y, left			1		
	306-14901-90	CARBURETOR ASS'Y, left			1	Destined for W. Germany	
	306-14908-00	CARBURETOR ASS'Y, left			1	Destined for Europe	
19- 0-2	306-14902-00	CARBURETOR ASS'Y, right			1		
	306-14902-90	CARBURETOR ASS'Y, right			1	Destined for W. Germany	
	306-14909-00	CARBURETOR ASS'Y, right			1	Destined for Europe	
19- 1	256-14941-46	. NOZZLE, main (Z-6)			2		
19- 2	93210-03142	. O-RING			2		
19- 3	168-14190-20	. VALVE SEAT ASS'Y (#2.0)			2		
19- 4	214-14195-00	. WASHER			2		
19- 5	256-14985-00	. FLOAT			2		
19- 6	137-14186-00	. PIN, float			2		
19- 7	256-14984-00	. PACKING, float chamber			2		
19- 8	306-14981-00	. BODY, float chamber			2		
19- 9	256-14942-42	. JET, pilot (#42.5)			2		
19-10	256-14944-26	. JET, main (#130)			2		
	256-14944-18	. JET, main (#90)			2	Destined for W. Germany	
	256-14944-28	. JET, main (#140)			2	Destined for Europe	
19-11	256-14956-01	. WASHER			2		
19-12	256-14991-00	. SCREW, plug			2		
19-13	98501-04012	. SCREW, pan head			8		
19-14	92901-04100	. WASHER, spring			8		
19-15	256-14146-01	. PLATE			2		
19-16	256-14940-00	. DIAPHRAGM ASS'Y			2		
19-17	256-14916-19	. NEEDLE (4JN19-4)			2		

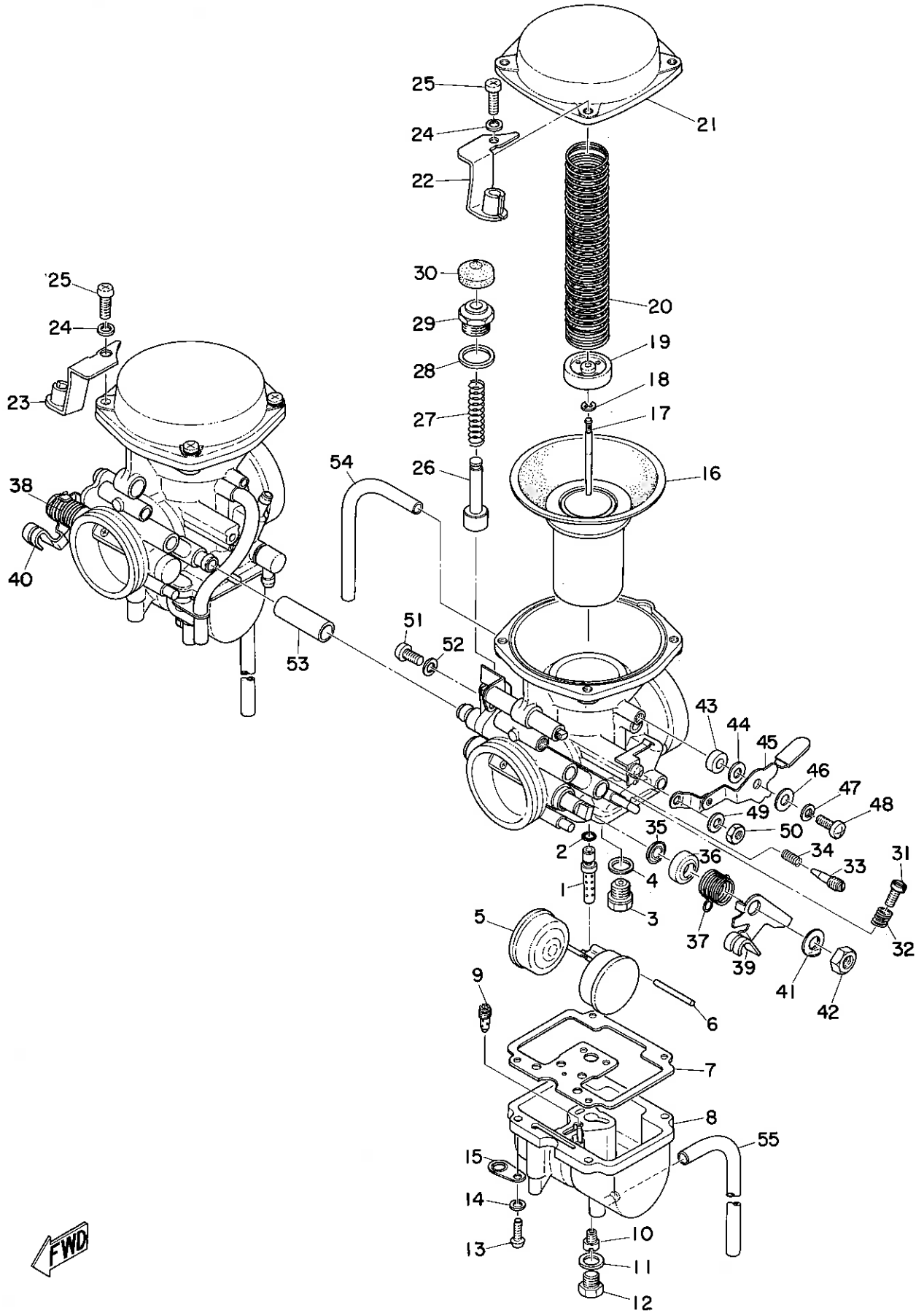
Fig. 19 CARBURETOR (XS2)



# CARBURETOR (XS2)

Ref. No.	Parts No.	Description	Q'ty			Applicable Machine No.	Remarks
			XS1	XS1F	XS2		
19-18	256-14919-00	. CLIP .....			2		
19-19	256-14946-00	. PLATE, set needle .....			2		
19-20	256-14933-00	. SPRING, diaphragm .....			2		
19-21	256-14958-00	COVER, diaphragm .....			2		
19-22	256-14926-00	. BRACKET THROTTLE ASS'Y left .....			1		
19-23	256-14927-00	. BRACKET THROTTLE ASS'Y right .....			1		
19-24	92901-05100	. WASHER, spring .....			8		
19-25	98501-05015	. SCREW, pan head .....			8		
19-26	306-14171-00	. PLUNGER, starter .....			1		
19-27	256-14135-00	. SPRING, plunger .....			1		
19-28	306-14954-00	. WASHER .....			1		
19-29	306-14174-00	. CAP, plunger .....			1		
19-30	306-14173-00	. COVER, plunger cap .....			1		
19-31	256-14922-00	. SCREW, throttle stop .....			2		
19-32	256-14934-01	. SPRING, throttle stop .....			2		
19-33	256-14923-00	. SCREW, pilot .....			2		
19-34	127-14134-00	. SPRING, pilot screw .....			2		
19-35	256-14997-00	. SEAL (8φ) .....			4		
19-36	306-14969-00	. CAP .....			2		
19-37	306-14931-00	. SPRING, throttle left .....			1		
19-38	306-14932-00	. SPRING, throttle right .....			1		
19-39	306-14914-00	. LEVER, throttle left .....			1		
19-40	306-14915-00	. LEVER, throttle right .....			1		

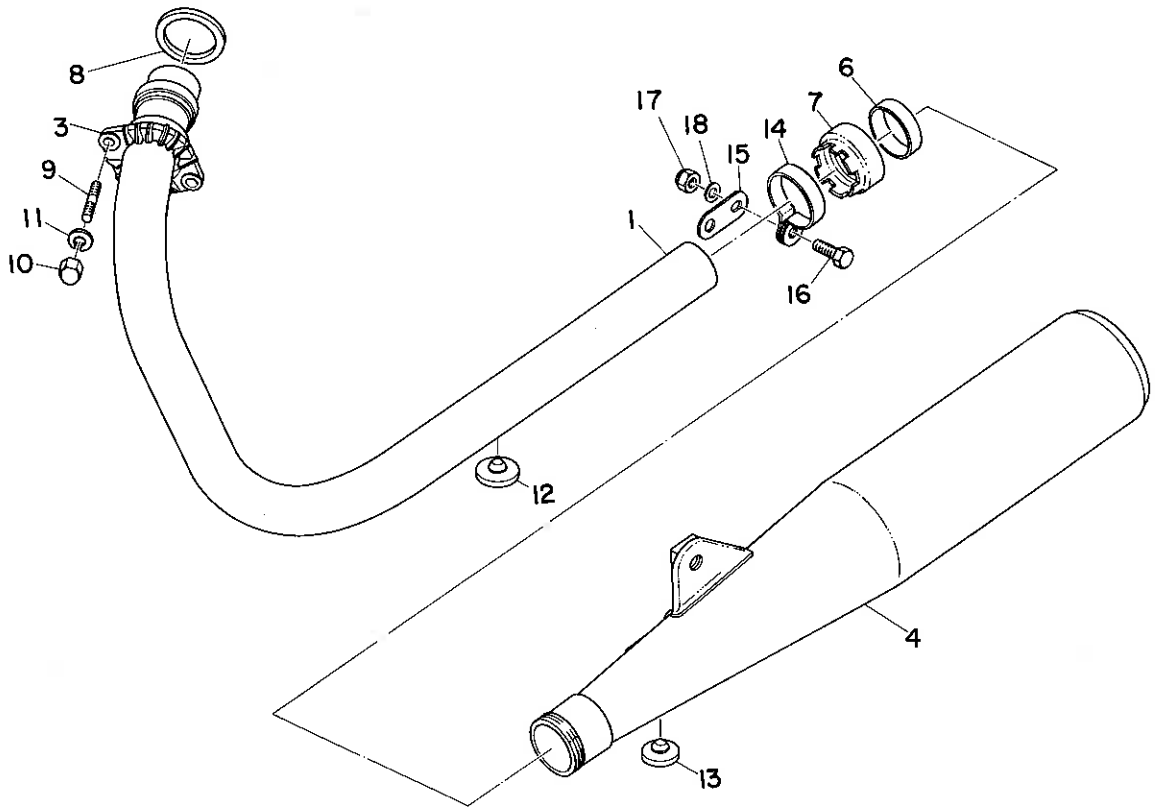
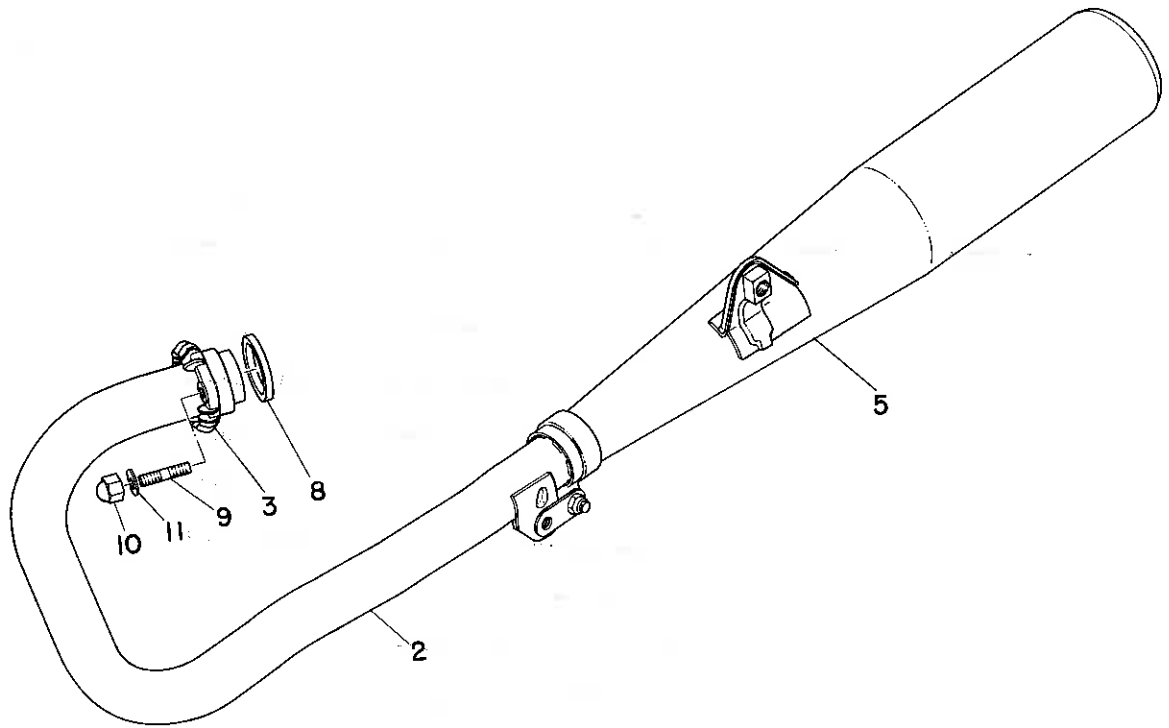
Fig. 19 CARBURETOR (XS2)



# CARBURETOR (XS2)

Ref. No.	Parts No.	Description	Q'ty			Applicable Machine No.	Remarks
			XS1	XS1F	XS2		
19-41	256-14953-00	. WASHER .....			2		
19-42	98802-12200	. NUT .....			2		
19-43	256-14918-00	. RING .....			1		
19-44	256-14955-00	. WASHER .....			1		
19-45	306-14905-00	. LEVER ASS'Y .....			1		
19-46	256-14952-00	. WASHER .....			1		
19-47	92901-04100	. WASHER, spring .....			1		
19-48	98501-04012	. SCREW, pan head .....			1		
19-49	256-14973-00	. WASHER .....			1		
19-50	92801-10300	. NUT .....			1		
19-51	98501-04012	. SCREW, pan head .....			3		
19-52	92901-04100	. WASHER, spring .....			3		
19-53	306-14988-00	. PIPE, starter connecting ..			1		
19-54	256-14197-01	. PIPE .....			2		
19-55	256-14987-00	. HOSE .....			2		

Fig. 20 EXHAUST

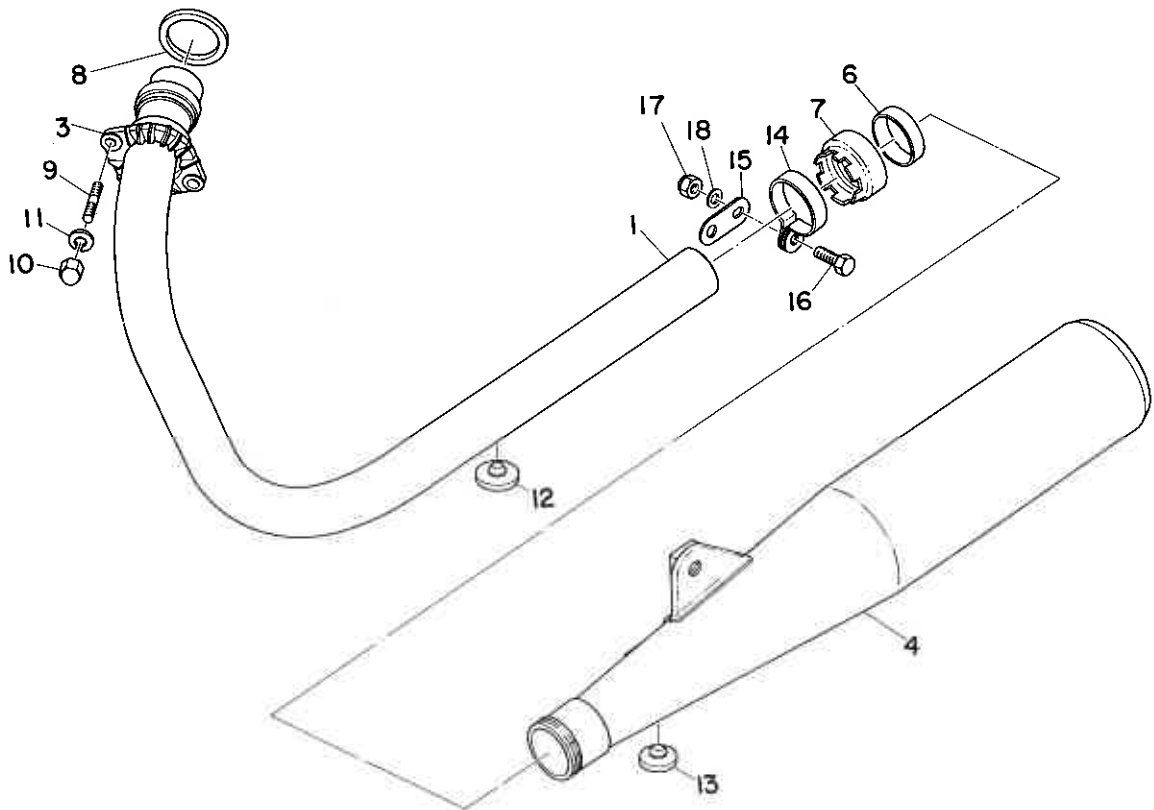
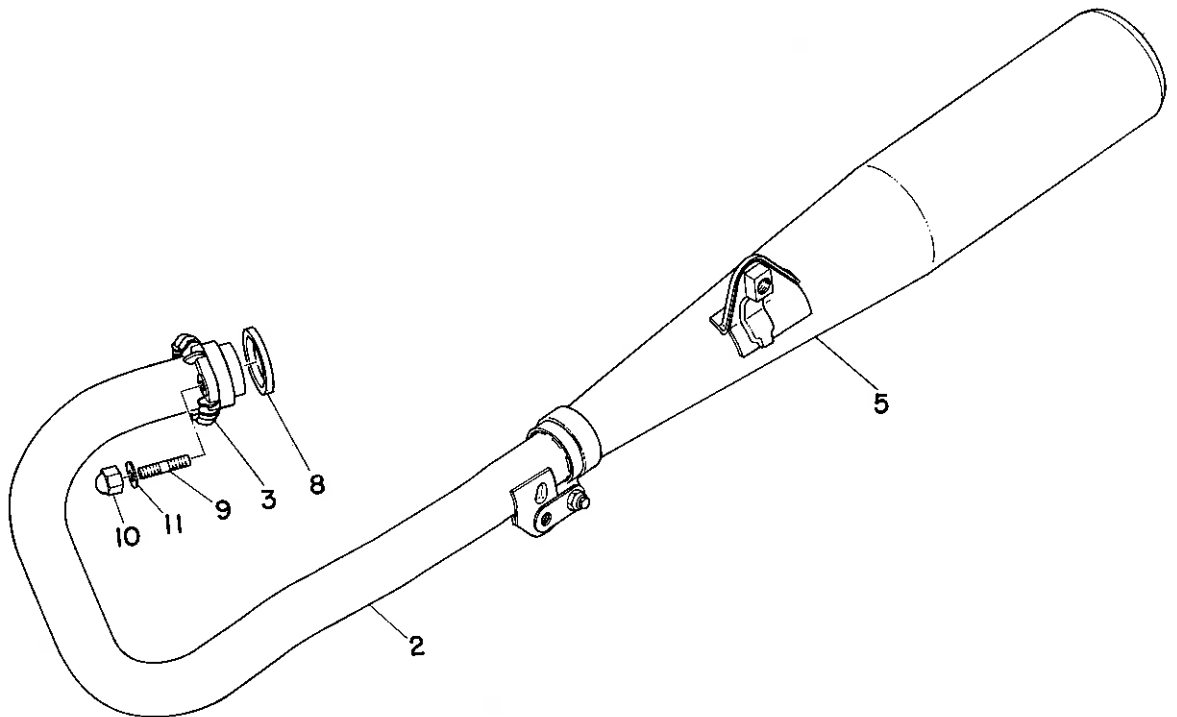




# EXHAUST

Ref. No.	Parts No.	Description	Q'ty			Applicable Machine No.	Remarks
			XS1	XS1F	XS2		
20- 1	256-14611-00	PIPE, exhaust left	1				Interchangeable with new one
	256-14611-01	PIPE, exhaust left	1			001420~	Interchangeable with new one
	256-14611-02	PIPE, exhaust left	1	1		003110~	
	306-14611-00	PIPE, exhaust left			1		
20- 2	256-14621-00	PIPE, exhaust right	1				Interchangeable with new one
	256-14621-01	PIPE, exhaust right	1			001420~	Interchangeable with new one
	256-14621-02	PIPE, exhaust right	1	1		003110~	
	306-14621-00	PIPE, exhaust right			1		
20- 3	256-14612-00	. NUT, ring	2	2			Not for sale
	306-14612-00	. NUT, ring			2		Not for Sale
20- 4	256-14711-01	MUFFLER, left	1				Interchangeable with new one
	256-14711-02	MUFFLER, left	1	1	1	002984~	
	256-14711-60	MUFFLER, left	1	1	1		Distined for W. Germany
20- 5	256-14721-01	MUFFLER, right	1				Interchangeable with new one
	256-14721-02	MUFFLER, right	1	1	1	002984~	
	256-14721-60	MUFFLER, right	1	1	1		Distined for W. Germany
20- 6	256-14714-00	GASKE T, muffler joint	2	2	2		
20- 7	256-14713-01	NUT, muffler joint	2	2	2		
20- 8	256-14613-00	GASKET, exhaust pipe	2	2	2		
20- 9	246-14651-00	STUD	4	4			
	306-14651-00	STUD			4		
20-10	256-14652-00	NUT, exhaust pipe jold	4	4			
	92803-10700	NUT, crown			4		
20-11	92903-08100	WASHER, spring	4	4			
	92903-10100	WASHER, spring			4		
20-12	256-27314-00	STOPPER, main stand	1	1	1		

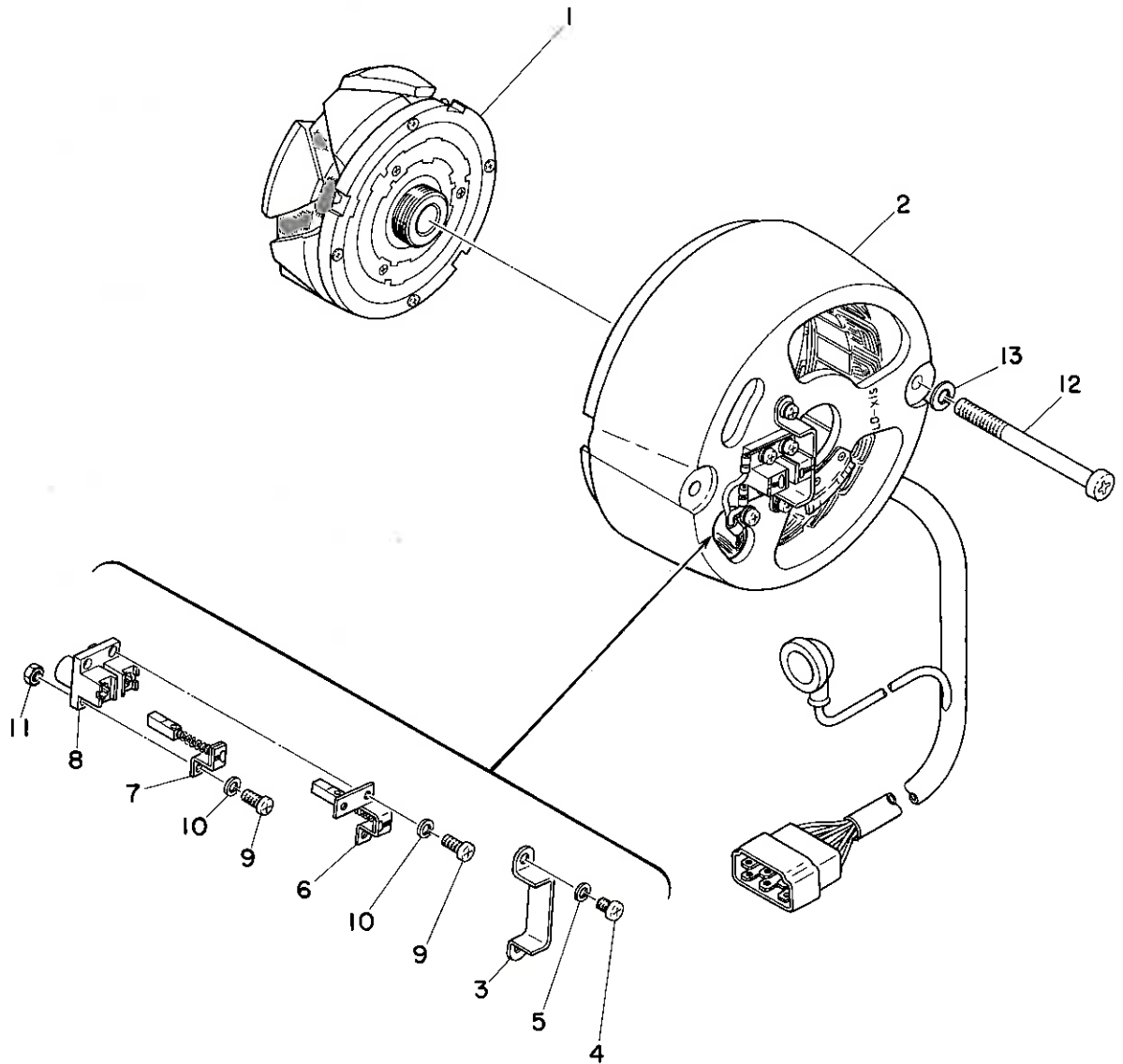
Fig. 20 EXHAUST



# EXHAUST

Ref. No.	Parts No.	Description	Q'ty			Applicable Machine No.	Remarks
			XS1	XS1F	XS2		
20-13	116-27114-00	STOPPER, main stand	1	1	1		
20-14	256-14715-01	BAND, muffler	2	2	2		
20-15	256-14772-00	STAY, muffler	2	2	2		
20-16	97201-08025	BOLT	2	2	2		
20-17	183-22143-00	NUT	2	2	2		
20-18	92901-08100	WASHER, spring	2	2	2		

Fig. 21 A. C. GENERATOR



# A. C. GENERATOR

Ref. No.	Parts No.	Description	Q'ty			Applicable Machine No.	Remarks
			XS1	XS1F	XS2		
21- 0-1	256-81600-10	A. C. GENERATOR ASS'Y	...	1	1		Hitachi
	306-81600-10	A. C. GENERATOR ASS'Y	...		1		
21- 1	256-81650-10	. ROTOR ASS'Y	.....	1	1	1	
21- 2	256-81610-10	. STATOR ASS'Y	.....	1	1		
	306-81610-10	. STATOR ASS'Y	.....		1		
21- 3	256-81614-10	. . PROTECTOR	.....	1	1	1	
21- 4	98501-04008	... SCREW, pan head	.....	2	2	2	
21- 5	92901-04100	... WASHER, spring	.....	2	2	2	
21- 6	256-81611-10	... BRUSH 1	.....	1	1	1	
21- 7	256-81612-10	. . BRUSH 2	.....	1	1	1	
21- 8	256-81613-10	... HOLDER, brush	.....	1	1	1	
21- 9	98501-04012	... SCREW, pan head	.....	4	4	4	
21-10	92901-04100	... WASHER, spring	.....	4	4	4	
21-11	98801-04200	... NUT	.....	1	1	1	
21-12	92501-06075	SCREW, pan head	.....	2	2	2	
21-13	92901-06100	WASHER, spring	.....	2	2	2	



# CHASSIS

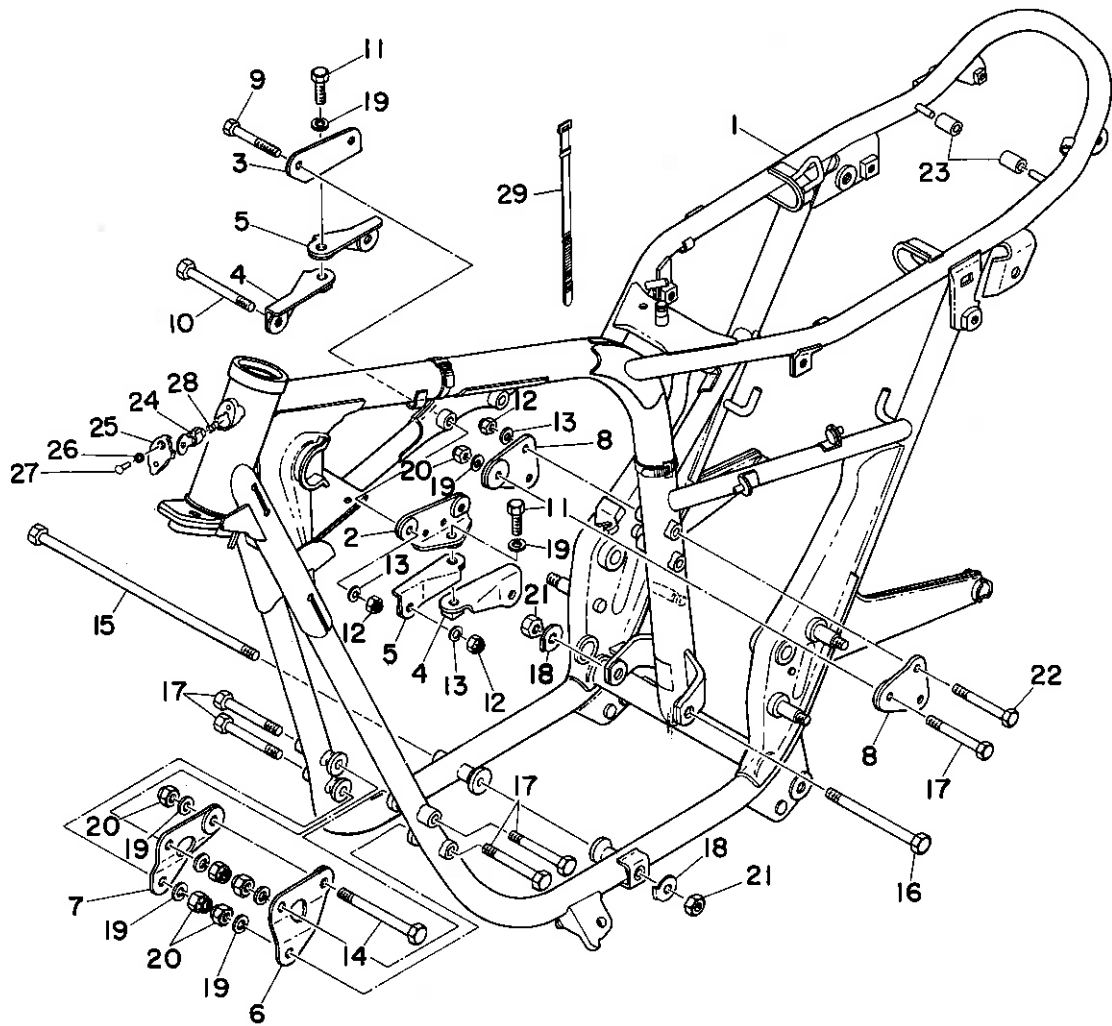








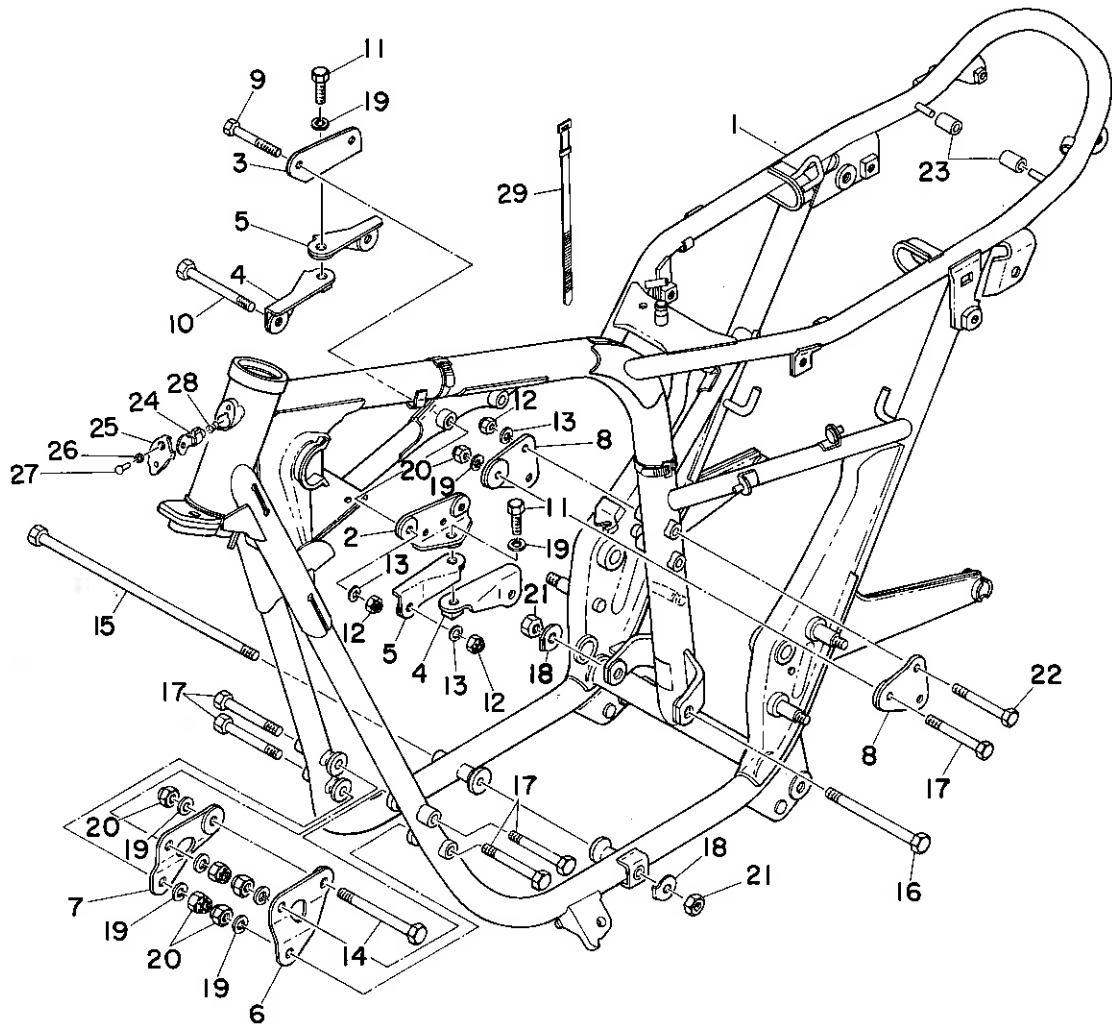
Fig. 22 FRAME · ENGINE BRACKET



# FRAME · ENGINE BRACKET

Ref. No.	Parts No.	Description	Q'ty			Applicable Machine No.	Remarks
			XS1	XS1F	XS2		
22- 1	256-21110-00-33	FRAME COMP. ....	1				
	256-21110-01-33	FRAME COMP. ....	1	1		006411~	
	256-21110-02-33	FRAME COMP. ....	1	1		008392~	
22- 2	256-21314-00	STAY, engine 1 left .....	1	1	1		
22- 3	256-21315-00	STAY, engine 2 right .....	1	1	1		
22- 4	256-21316-00	STAY, engine 3 .....	2	2	2		
22- 5	256-21317-00	STAY, engine 4 .....	2	2	2		
22- 6	256-21318-00	STAY, engine 5 left .....	1	1			
	256-21318-01	STAY, engine 5 left .....	1	1	1	022833~	
22- 7	256-21319-00	STAY, engine 6 right .....	1	1			
	256-21319-01	STAY, engine 6 right .....	1	1	1	022833~	
22- 8	256-21387-00	STAY, engine 7 .....	2	2	2		
22- 9	97101-08060	BOLT .....	2	2	2		
22-10	97101-08090	BOLT .....	2	2	2		
22-11	91101-10025	BOLT .....	2	2	2		
22-12	183-22143-00	NUT .....	6	6	6		
22-13	92901-08100	WASHER, spring .....	6	6	6		
22-14	256-21481-00	BOLT, engine mounting 1 ..	1	1	1		
22-15	256-21482-00	BOLT, engine mounting 2 ..	1	1	1		
22-16	256-21483-00	BOLT, engine mounting 3 ..	1	1	1		
22-17	256-21484-00	BOLT, engine mounting 4 ..	5	5	5		
22-18	256-21491-00	WASHER, lock .....	2	2	2		
22-19	92901-10100	WASHER, spring .....	8	8	8		
22-20	214-21494-00	NUT .....	6	6	6		

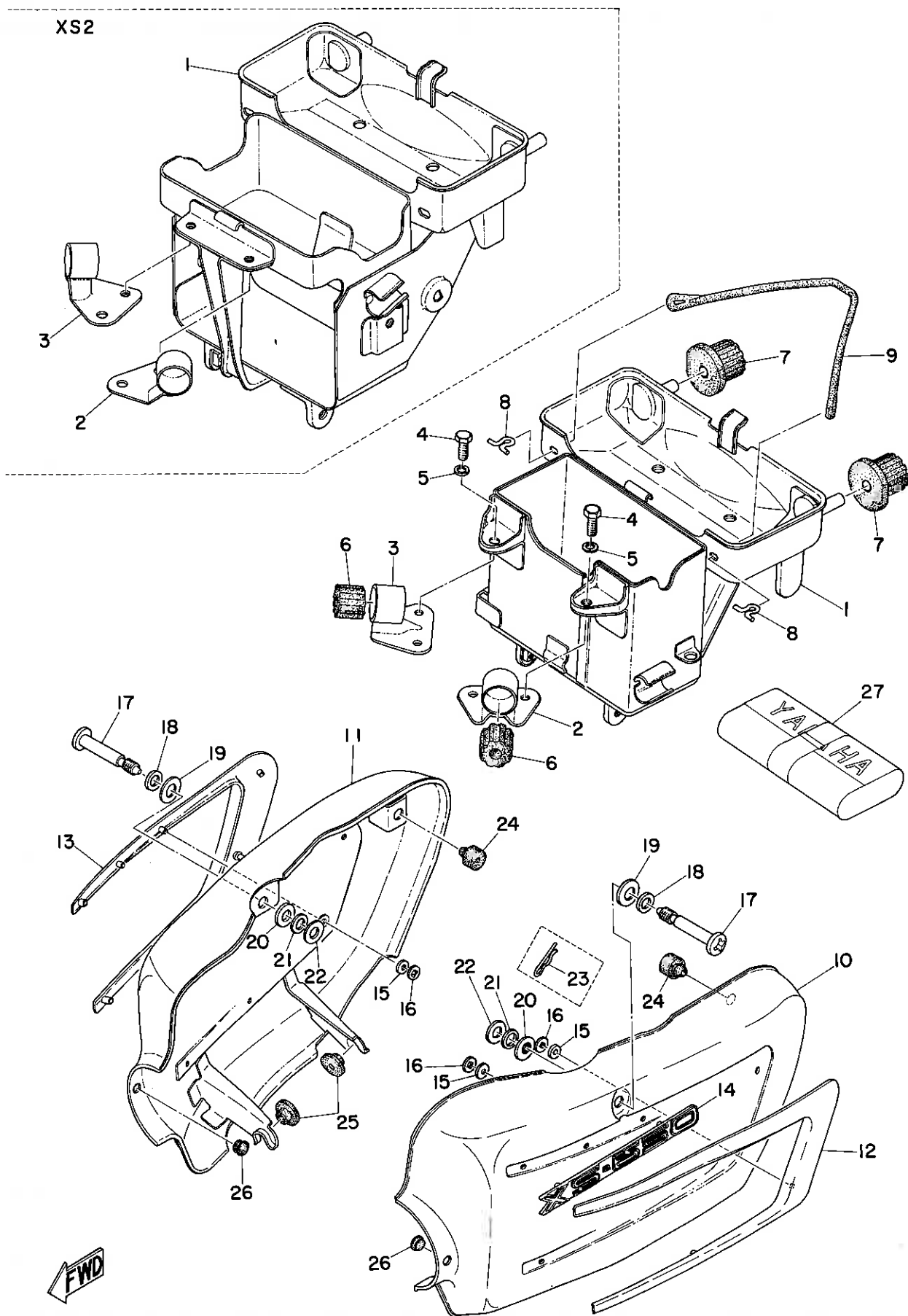
Fig. 22 FRAME · ENGINE BRACKET



# FRAME · ENGINE BRACKET

Ref. No.	Parts No.	Description	Q'ty			Applicable Machine No.	Remarks
			XS1	XS1F	XS2		
22-21	92801-10100	NUT .....	2	2	2		
22-22	97101-08070	BOLT .....	2	2	2		
22-23	256-21638-00	DAMPER 1 .....	2	2	2		
22-24	214-23480-00	STEERING LOCK ASS'Y ....	1	1	1		
22-25	134-23484-10	CAP, handle lock .....	1	1	1		
22-26	214-23488-00	WASHER, wave .....	1	1	1		
22-27	214-23483-00	RIVET .....	1	1	1		
22-28	214-23485-00	SPRING .....	1	1	1		
22-29	256-83936-00	BAND, switch cord .....	3	4	4		

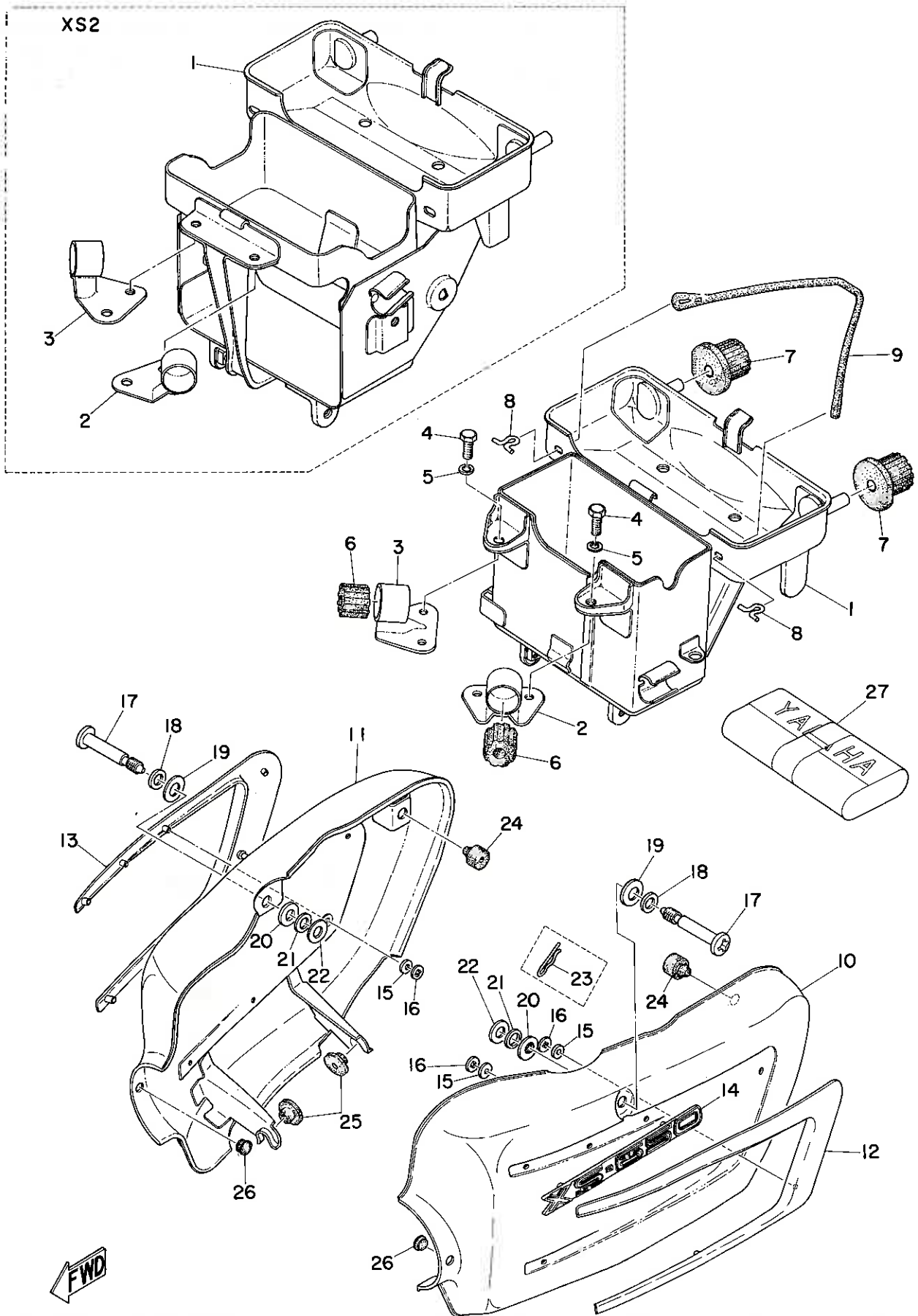
Fig. 23 SIDE COVER · BOX COMP



## SIDE COVER · BOX COMP

Ref. No.	Parts No.	Description	Q'ty			Applicable Machine No.	Remarks
			XS1	XS1F	XS2		
23- 1	256-21170-00-33	BOX COMP. ....	1	1			
	306-21170-01-33	BOX COMP. ....			1		
23- 2	256-21149-00	BRACKET, battery box left	1	1			
	306-21149-00	BRACKET, battery box left			1		
23- 3	256-21344-00	BRACKET, battery box right	1	1			
	306-21344-00	BRACKET, battery box right			1		
23- 4	91201-06015	BOLT .....	2	2	2		
23- 5	92901-06100	WASHER, spring .....	2	2	2		
23- 6	256-21729-00	DAMPER, front .....	2	2	2		
23- 7	256-21747-00	DAMPER, rear .....	2	2	2		
23- 8	256-21366-00	HOOK, tool band .....	2	2	2		
23- 9	256-21376-00	BAND, tool .....	1	1	1		
23-10	256-21711-01-64	COVER, side left .....	1			Candy Green	
	256-21711-01-52	COVER, side left .....		1		Candy Orange	
	256-21711-01-11	COVER, side left .....			1	Pearl Yellow Gold	
23-11	256-21721-01-64	COVER, side right .....	1			Candy Green	
	256-21721-01-52	COVER, side right .....		1		Candy Orange	
	256-21721-01-11	COVER, side right .....			1	Pearl Yellow Gold	
23-12	256-21781-00	MOLD, side cover left .....	1	1	1		
23-13	256-21782-00	MOLD, side cover right ...	1	1	1		
23-14	256-21786-00	EMBLEM .....	2			Candy Green	
	256-21786-01	EMBLEM .....		2		Candy Orange	
	306-21786-01	EMBLEM .....			2	Pearl Yellow Gold	
23-15	174-28316-00	DAMPER, emblem .....	18	18	18		

Fig. 23 SIDE COVER · BOX COMP





# SIDE COVER · BOX COMP

Ref. No.	Parts No.	Description	Q'ty			Applicable Machine No.	Remarks
			XSI	XS1F	XS2		
23-16	116-28317-00	NUT .....	18	18	18		
23-17	256-21712-01	BOLT, side cover .....	2				
	256-21712-02	BOLT, side cover .....	2	2	2	002254~	
23-18	168-21715-00	WASHER, special (8.5-16-1) .....	2				
	92903-08200	WASHER, plain .....	2			000472~	
	256-21715-01	WASHER, special 1 (10.5-18-1.6) .....	2	2	2	002254~	
23-19	256-21725-00	WASHER, special 2 (10-18-1.5) .....	2	2	2	002254~	
23-20	256-21718-00	WASHER, special 3 (8-16-2) .....	2	2	2	002254~	
23-21	92901-08100	WASHER, spring .....	2	2	2	002254~	
23-22	168-21713-00	NUT, latch clamp .....	2	2	2		
23-23	102-25375-00	CLIP, tension bar .....	2			Disused 002254~	
23-24	137-21778-00	DAMPER, oil tank .....	2	2	2		
23-25	256-21746-00	RUBBER, bushing .....	4	4	4		
23-26	256-21717-00	DAMPER, side cover .....	2	2	2		
23-27	256-28100-10	TOOL ASS'Y .....	1	1	1		



# REAR ARM · REAR CUSHION · CHAIN CASE

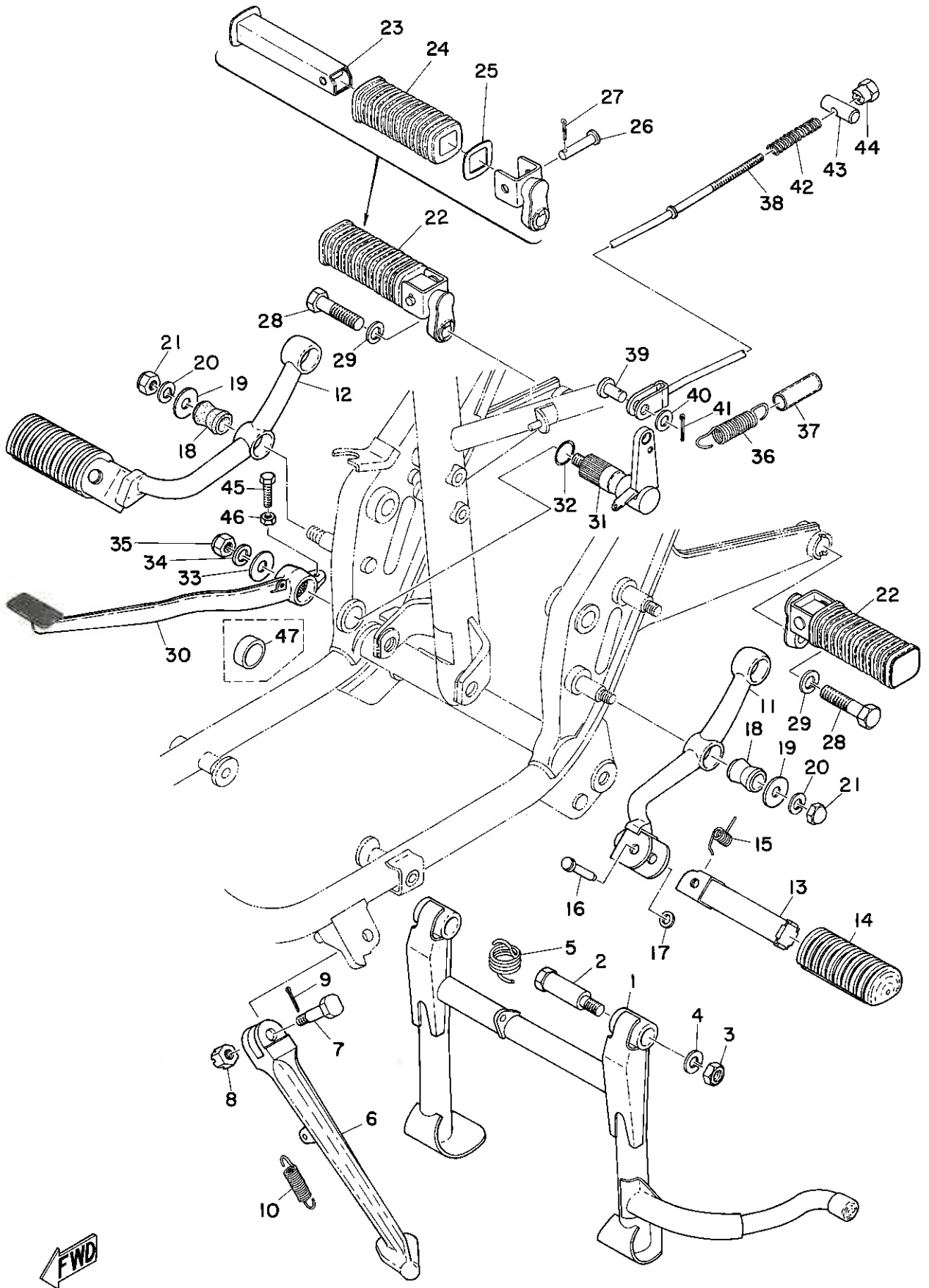
Ref. No.	Parts No.	Description	Q'ty			Applicable Machine No.	Remarks
			XS1	XS1F	XS2		
24- 1	256-22110-00-33	REAR ARM COMP.	1	1	1		
24- 2	256-22141-00	SHAFT, pivot	1	1			
	256-22141-01	SHAFT, pivot		1	1	008392~	
24- 3	150-22126-00	COLLAR, distance	1	1	1		
24- 4	148-22123-00	BUSHING, rear arm 1	2	2	2		
24- 5	150-22124-00	BUSHING 2	2	2	2		
24- 6	150-22128-00	COVER, thrust	2	2	2		
24- 7	156-22127-00	SHIM, rear arm (26-34-0.3)	U.R	U.R	U.R		
24- 8	256-22149-00	WASHER, lock	1	1	1		
24- 9	98804-14100	NUT	1	1	1		
24-10	93700-06001	NIPPLE, grease	2	2	2		
24-11	256-22210-01-64	REAR CUSHION ASS'Y	2			Candy Green	
	256-22210-01-52	REAR CUSHION ASS'Y		2		Candy Orange	
	306-22210-20	REAR CUSHION ASS'Y			2		
24-12	214-22241-00	BOLT, rear cushion	4	4	4		
24-13	92901-10100	WASHER, spring	4	4	4		
24-14	256-22311-00-93	CHAIN CASE, half	1	1	1		
24-15	256-22332-00	DAMPER, chain case	1	1	1		
24-16	256-21541-00	DAMPER, fender mount	1	1	1		
24-17	256-21544-00	COLLAR, fender mount	1	1	1		
24-18	256-21515-00	WASHER, special	1	1	1		
24-19	91203-06018	BOLT	1	1	1		



# REAR ARM · REAR CUSHION · CHAIN CASE

Ref. No.	Parts No.	Description	Q'ty			Applicable Machine No.	Remarks
			XS1	XS1F	XS2		
24-20	92901-06100	WASHER, spring .....	1	1	1		
24-21	91203-06015	BOLT .....	1	1	1		
24-22	256-22316-00	WASHER, lock .....	1	1	1		

Fig. 25 STAND · FOOT REST · BRAKE PEDAL

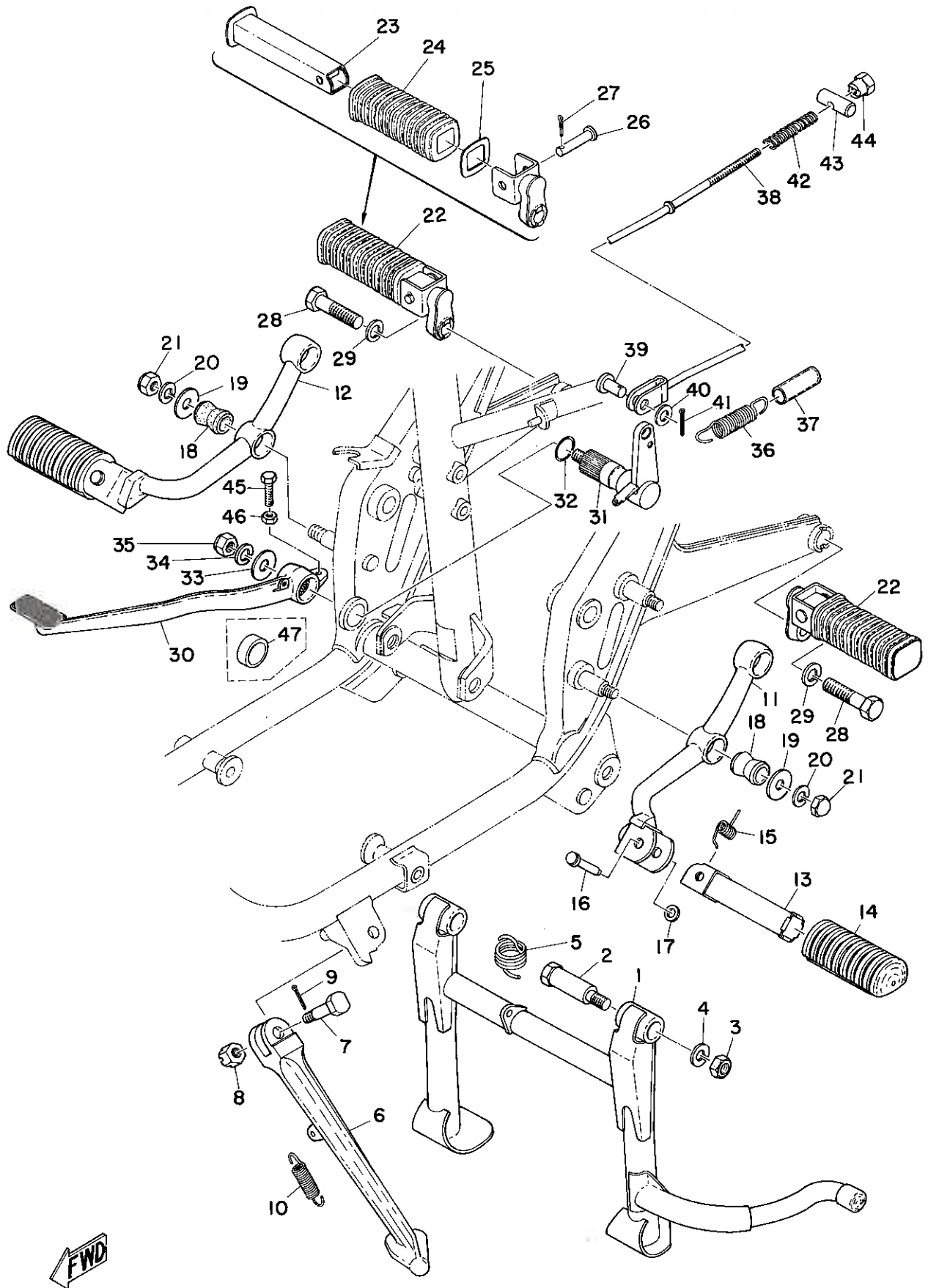


FWD

# STAND · FOOT REST · BRAKE PEDAL

Ref. No.	Parts No.	Description	Q'ty			Applicable Machine No.	Remarks
			XS1	XS1F	XS2		
25- 1	256-27111-00	STAND, main	1	1	1		
25- 2	256-27112-01	BOLT, main stand	2	2	2		
25- 3	98801-10100	NUT	2				
	214-21494-00	NUT	2	2	2		
25- 4	92901-10100	WASHER, spring	2	2	2		
25- 5	256-27116-00	SPRING, main stand	1	1	1		
25- 6	256-27311-00	STAND, side	1	1	1		
25- 7	156-27317-00	BOLT, side stand	1	1	1		
25- 8	98801-08500	NUT, slotted	1	1	1		
25- 9	91401-20018	PIN, cotter	1	1	1		
25-10	183-27316-00	SPRING, side stand	1	1	1		
25- 0-1	256-27410-00	FOOTREST ASS'Y, left	1	1	1		
	256-27420-00	FOOTREST ASS'Y, right	1	1	1		
25-11	256-27411-00	. FOOTREST, left	1	1	1	27410, Not for sale	
25-12	256-27421-00	. FOOTREST, right	1	1	1	27420, Not for sale	
25-13	256-27451-00	. FOOTREST 3	2	2	2		
25-14	256-27413-00	. COVER, footrest	2	2	2		
25-15	214-27426-00	. SPRING, return	2	2	2		
25-16	214-27418-00	. PIN, clevis	2	2	2		
25-17	214-27417-00	. WASHER, special (6.5-12-2.0)	2	2	2		
25-18	256-27414-00	DAMPER, rubber 1	4	4	4		
25-19	137-24186-00	WASHER, special (10.5-26-1.6)	4			006411~	
	135-22244-00	WASHER, special (10.5-25-2)	4	4	4		

Fig. 25 STAND · FOOT REST · BRAKE PEDAL

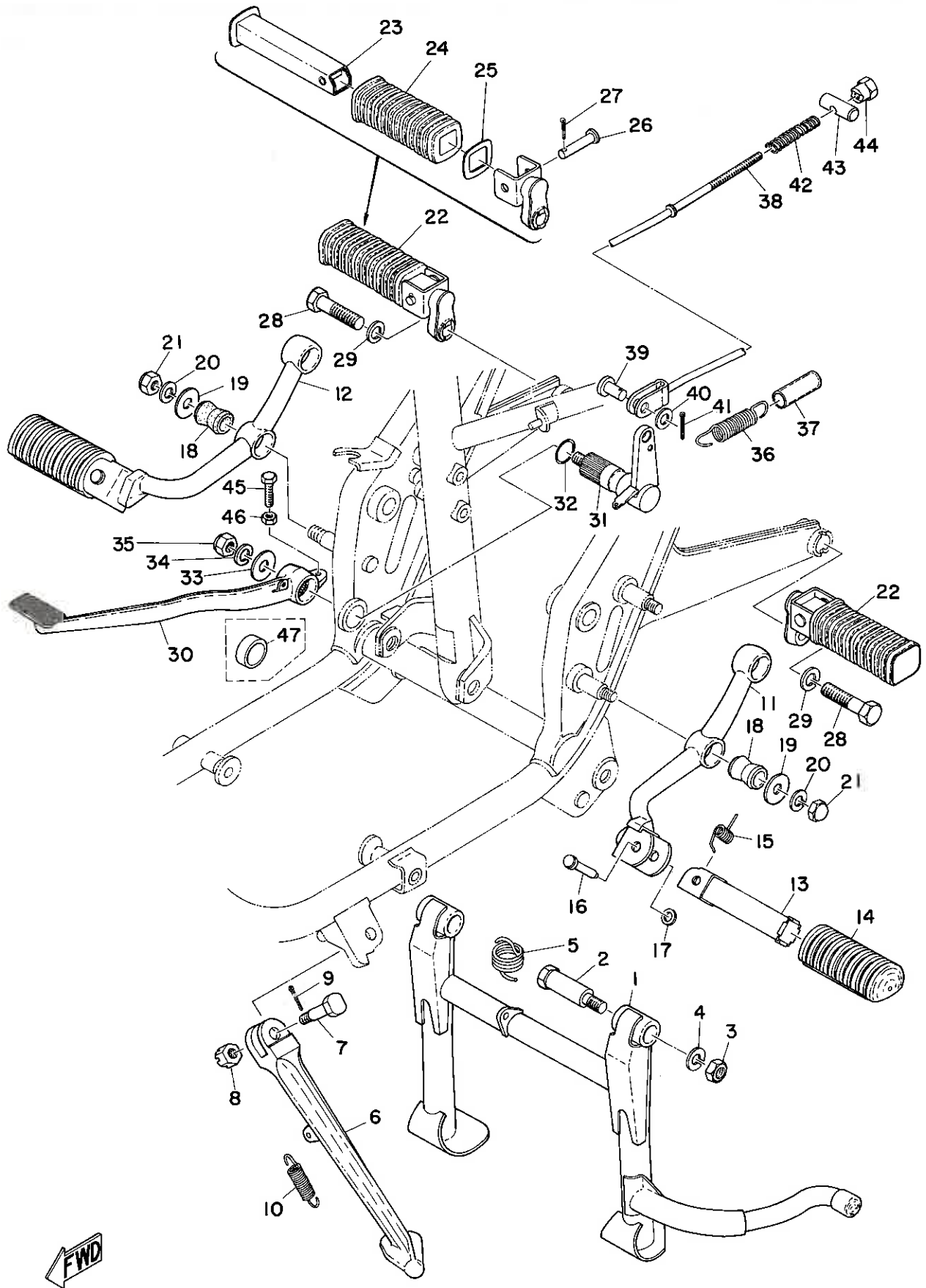




# STAND · FOOT REST · BRAKE PEDAL

Ref. No.	Parts No.	Description	Q'ty			Applicable Machine No.	Remarks
			XS1	XS1F	XS2		
25-20	92901-08100	WASHER, spring	4				
	92901-10100	WASHER, spring	4	4	4	006411~	
25-21	98803-08700	NUT, crown	4				
	98803-10700	NUT, crown	4	4	4	006411~	
25-22	256-27430-00	REAR FOOTREST ASS'Y	2	2	2		
25-23	168-27431-10	. FOOTREST, rear	2	2	2		
25-24	168-27433-10	. COVER, footrest rear	2	2	2		
25-25	168-27437-10	. WASHER, special	2	2	2		
25-26	91501-06035	. PIN, clevis	2	2	2		
25-27	91401-16012	. PIN, cotter	2	2	2		
25-28	97201-12060	BOLT	2	2	2		
25-29	92901-12100	WASHER, spring	2	2	2		
25-30	256-27211-00-93	PEDAL, brake	1	1	1		
25-31	256-27212-00	SHAFT, brake pedal	1				
	256-27212-01	SHAFT, brake pedal	1	1	1	006411~	
25-32	93210-18113	O-RING (2.2-17.6)	1	1	1		
25-33	256-27219-00	WASHER, special (10.5-26-1.6)	1				
	102-22243-00	WASHER, special	1	1	1		
25-34	92901-10100	WASHER, spring	1	1	1		
25-35	92803-10700	NUT, crown	1	1	1		
25-36	137-27216-00	SPRING, brake pedal	1	1	1		
25-37	256-27244-00	COVER, spring	1	1	1		
25-38	256-27231-00	ROD, brake	1	1	1		
25-39	168-27237-00	PIN, clevis	1	1	1		

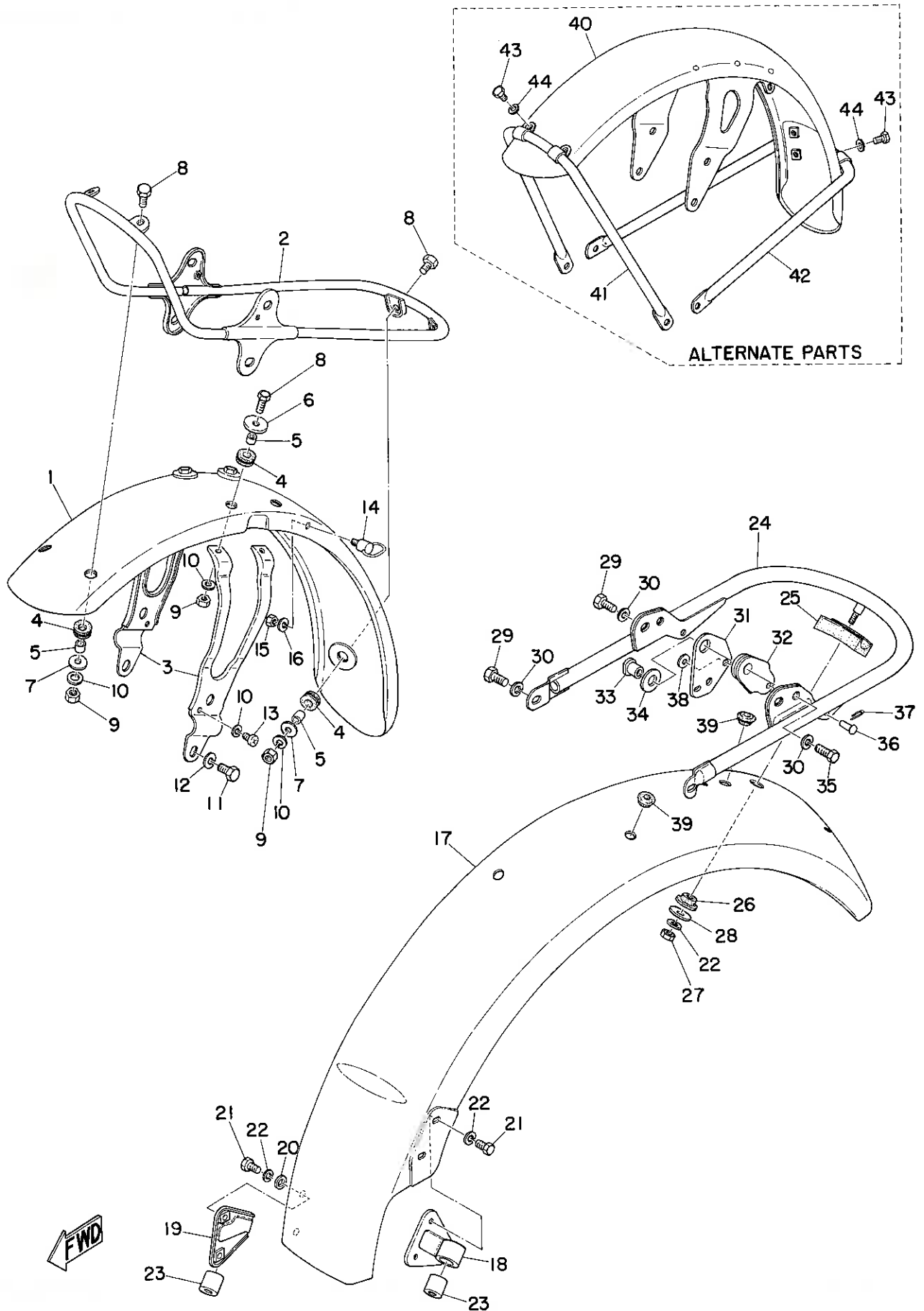
Fig. 25 STAND · FOOT REST · BRAKE PEDAL



# STAND · FOOT REST · BRAKE PEDAL

Ref. No.	Parts No.	Description	Q'ty			Applicable Machine No.	Remarks
			XS1	XS1F	XS2		
25-40	156-27226-00	WASHER, pedal link	1	1	1		
25-41	91401-20012	PIN, cotter	1	1	1		
25-42	168-27236-00	SPRING, rod	1	1	1		
25-43	156-27229-00	PIN, link joint	1	1	1		
25-44	168-27238-00	NUT, adjusting	1	1	1		
25-45	91203-06025	BOLT	1	1	1		
25-46	98803-06300	NUT	1				
	256-27218-00	NUT	1	1	1		
25-47	256-27213-09	COLLAR, shaft brake (20-28-10)	1	1	1		
		(Use for 256-27212-01 with 256-21110-00-33)					

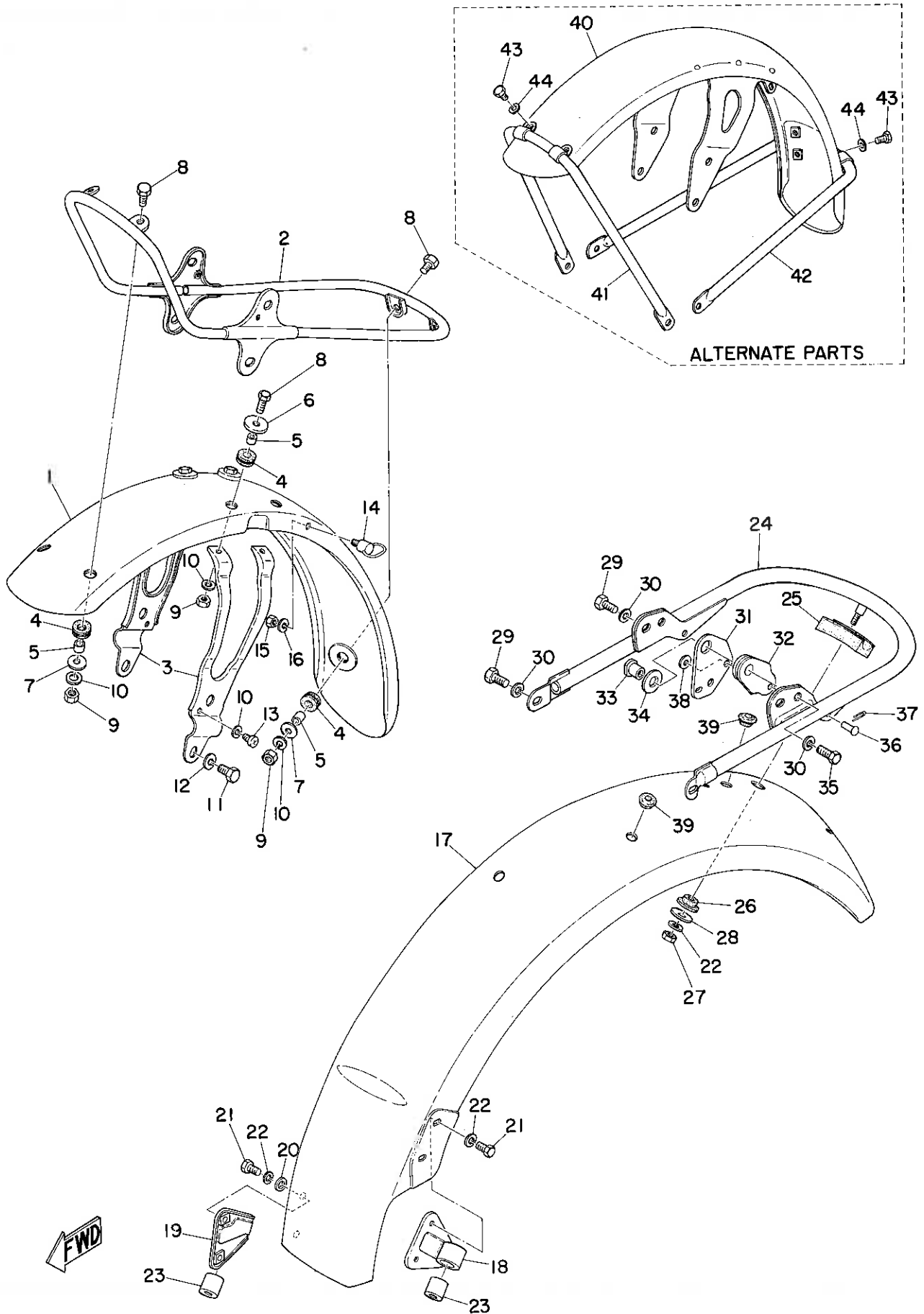
Fig. 26 FRONT FENDER · REAR FENDER (XS1 · XS1F)



# FRONT FENDER · REAR FENDER (XS1 · XS1F)

Ref. No.	Parts No.	Description	Q'ty			Applicable Machine No.	Remarks
			XS1	XS1F	XS2		
26- 1	256-21511-00-93	FENDER, front	1	1			
26- 2	256-21512-00	BRACKET, front fender	1	1			
26- 3	256-21513-00	STAY, front fender	2	2			
26- 4	256-21541-00	DAMPER, fender mount	8	8			
26- 5	256-21544-00	COLLAR, fender mount	8	8			
26- 6	256-21515-00	WASHER, special	4	4			
26- 7	101-24187-00	WASHER, special (6.2-18-1.6)	4	4			
26- 8	91203-06018	BOLT	8	8			
26- 9	98801-06100	NUT	8	8			
26-10	92901-06100	WASHER, spring	10	10			
26-11	97201-08012	BOLT	4	4			
26-12	92901-08100	WASHER, spring	4	4			
26-13	92501-06008	SCREW, pan head	2	2			
26-14	174-21518-00	HOLDER, wire	1	1			
26-15	98801-06100	NUT	1	1			
26-16	92901-06100	WASHER, spring	1	1			
26-17	256-21611-00-93	FENDER, rear	1	1			
26-18	256-21613-00	STAY, fender 1	1	1			
26-19	256-21614-00	STAY, fender 2	1	1			
26-20	101-24187-00	WASHER, special (6.2-18-1.6)	2	2			
26-21	91203-06012	BOLT	4	4			
26-22	92901-06100	WASHER, spring	5	5			

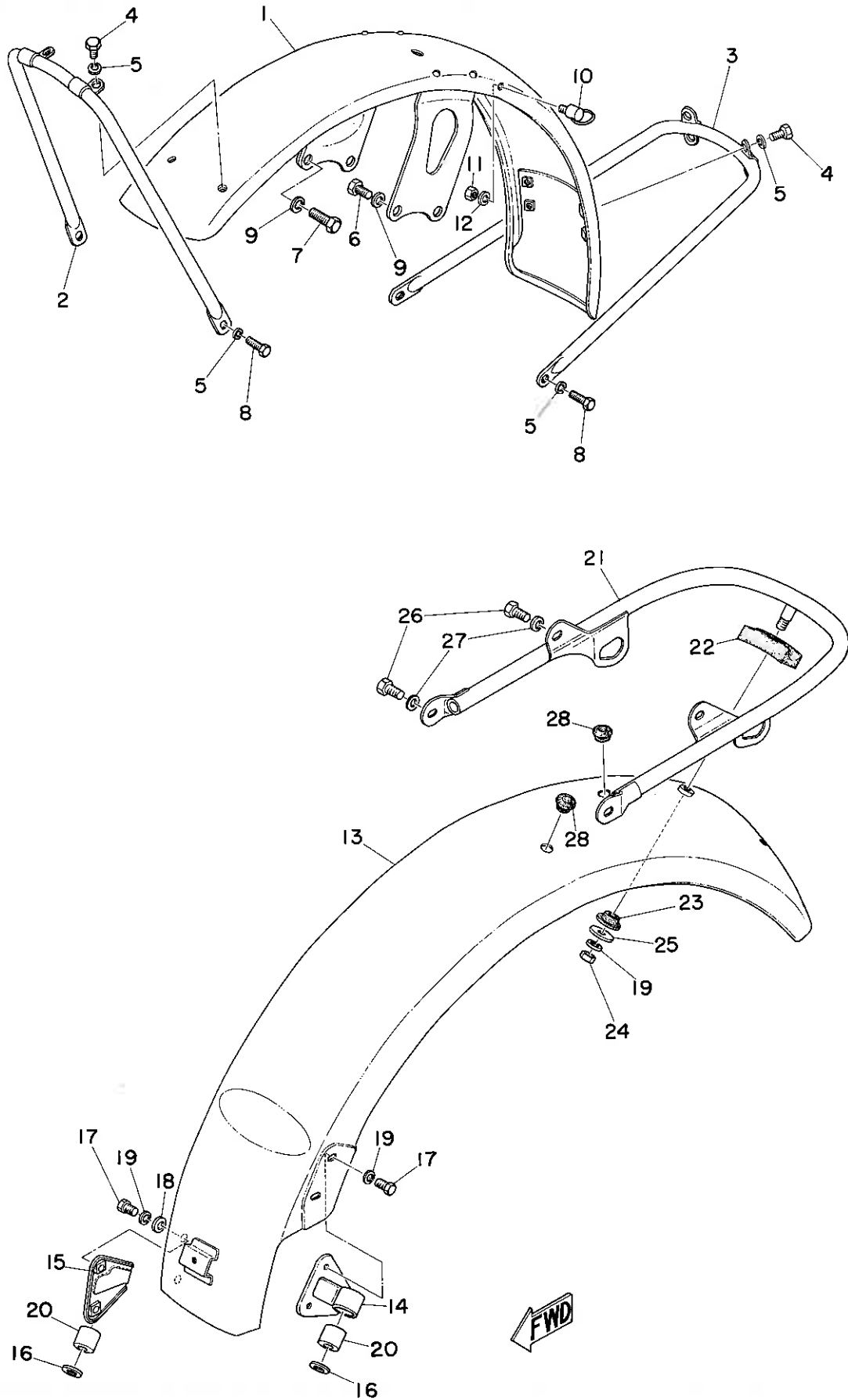
Fig. 26 FRONT FENDER · REAR FENDER (XS1 · XS1F)



# FRONT FENDER · REAR FENDER (XS1 · XS1F)

Ref. No.	Parts No.	Description	Q'ty			Applicable Machine No.	Remarks
			XS1	XS1F	XS2		
26-23	256-21638-00	DAMPER 1 .....	4	4			
26-24	256-21645-00	STAY, fender 5 .....	1				
	256-21645-01	STAY, fender 5 .....		1			
26-25	256-21639-00	DAMPER 2 .....	1	1			
26-26	256-21649-00	DAMPER 3 .....	1	1			
26-27	98801-06300	NUT .....	1	1			
26-28	137-24187-00	WASHER, special (6.5-23-2.0) .....	1	1			
26-29	97203-08015	BOLT .....	4	4			
26-30	92901-08100	WASHER, spring .....	4	4			
26-31	256-83318-00	STAY, flasher .....	2	2			
26-32	256-83341-00	DAMPER, rear flasher .....	2	2			
26-33	248-21635-00	NUT, rear fender .....	2	2			
26-34	122-22243-00	WASHER, rear cushion (12-27-2.0) .....	2	2			
26-35	97203-08018	BOLT .....	2	2			
26-36	91503-06018	PIN, clevis .....	2	2			
26-37	102-25375-00	CLIP, tension bar .....	2	2			
26-38	101-24187-00	WASHER, special (6.5-18-1.6) .....	2	2			
26-39	152-84518-00	GROMMET, tail lamp .....		2			
<b>ALTERNATE PARTS</b>							
26-40	256-21511-10-93	FENDER, front .....	1	1		Available 011584~	
26-41	256-21513-10-93	PIPE, stay front .....	1	1			
26-42	256-21514-10-93	PIPE, stay rear .....	1	1			
26-43	91103-06012	BOLT .....	6	6			
26-44	92901-06100	WASHER, spring .....	6	6			

Fig. 27 FRONT FENDER · REAR FENDER (XS2)

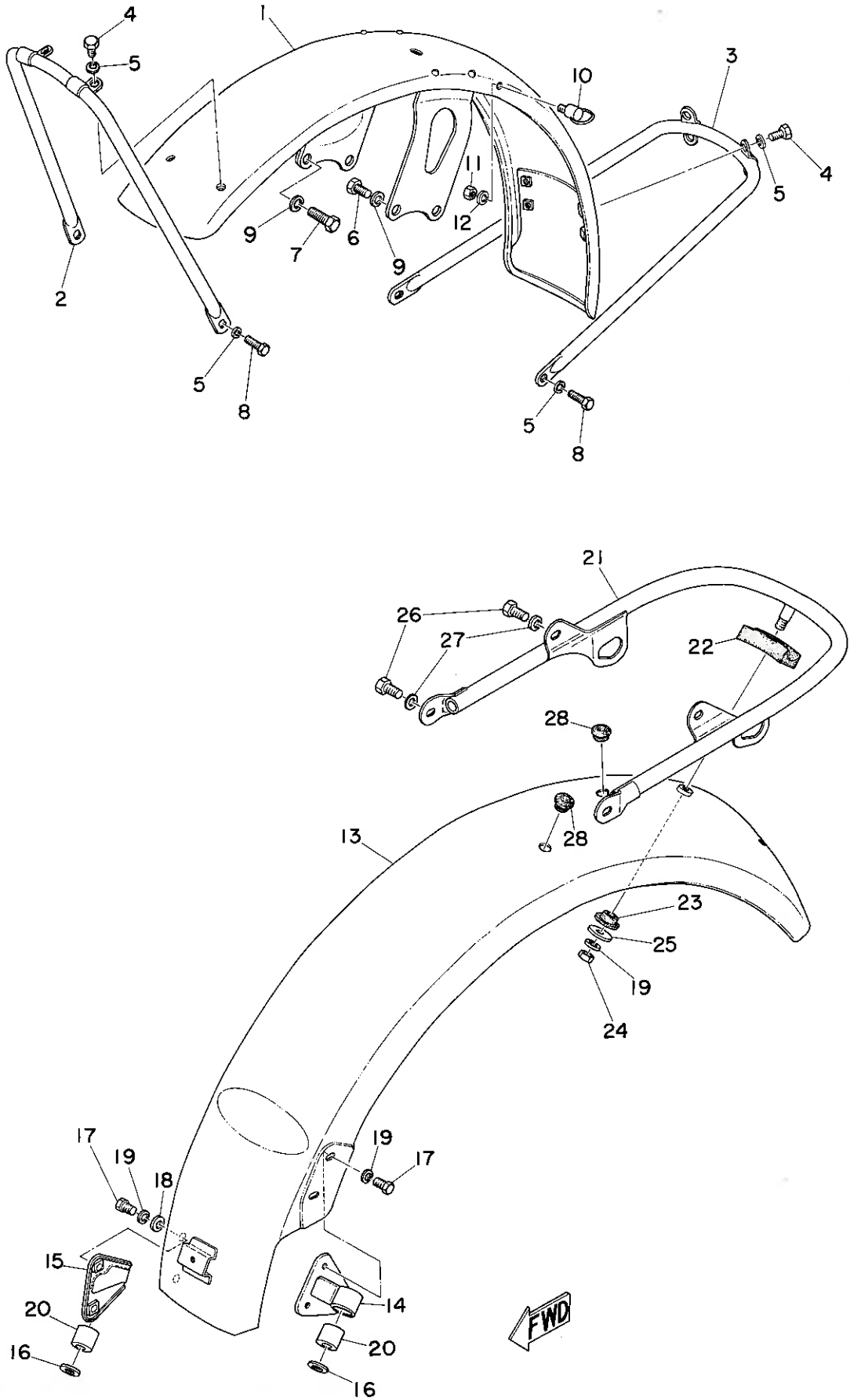




# FRONT FENDER · REAR FENDER (XS2)

Ref. No.	Parts No.	Description	Q'ty			Applicable Machine No.	Remarks
			XS1	XS1F	XS2		
27- 1	306-21511-00-93	FENDER, front			1	XS21	
27- 2	306-21513-00	PIPE, stay front			1	368-21511-00-93	
27- 3	306-21514-00	PIPE, stay rear			1	476-21511-00-93	
27- 4	91103-06012	BOLT			6		- (10) -
27- 5	92901-06100	WASHER, spring			10		
27- 6	97201-08020	BOLT			2		
27- 7	97201-08025	BOLT			2		
27- 8	91103-06015	BOLT			4		
27- 9	92901-08100	WASHER, spring			4		
27-10	174-21518-00	HOLDER, wire			1		
27-11	98801-06100	NUT			1		
27-12	92901-06100	WASHER, spring			1		
27-13	306-21611-00-93	FENDER, rear			1		
27-14	256-21613-00	STAY, fender 1			1		
27-15	256-21614-00	STAY, fender 2			1		
27-16	101-24187-00	WASHER, special (6.2-18-1.6)			2		
27-17	91203-06012	BOLT			4		
27-18	101-24187-00	WASHER, special (6.2-18-1.6)			2		
27-19	92901-06100	WASHER, spring			5		
27-20	256-21638-00	DAMPER 1			4		
27-21	256-21645-01	STAY, fender 5			1		
27-22	256-21639-00	DAMPER 2			1		
27-23	256-21649-00	DAMPER 3			1		

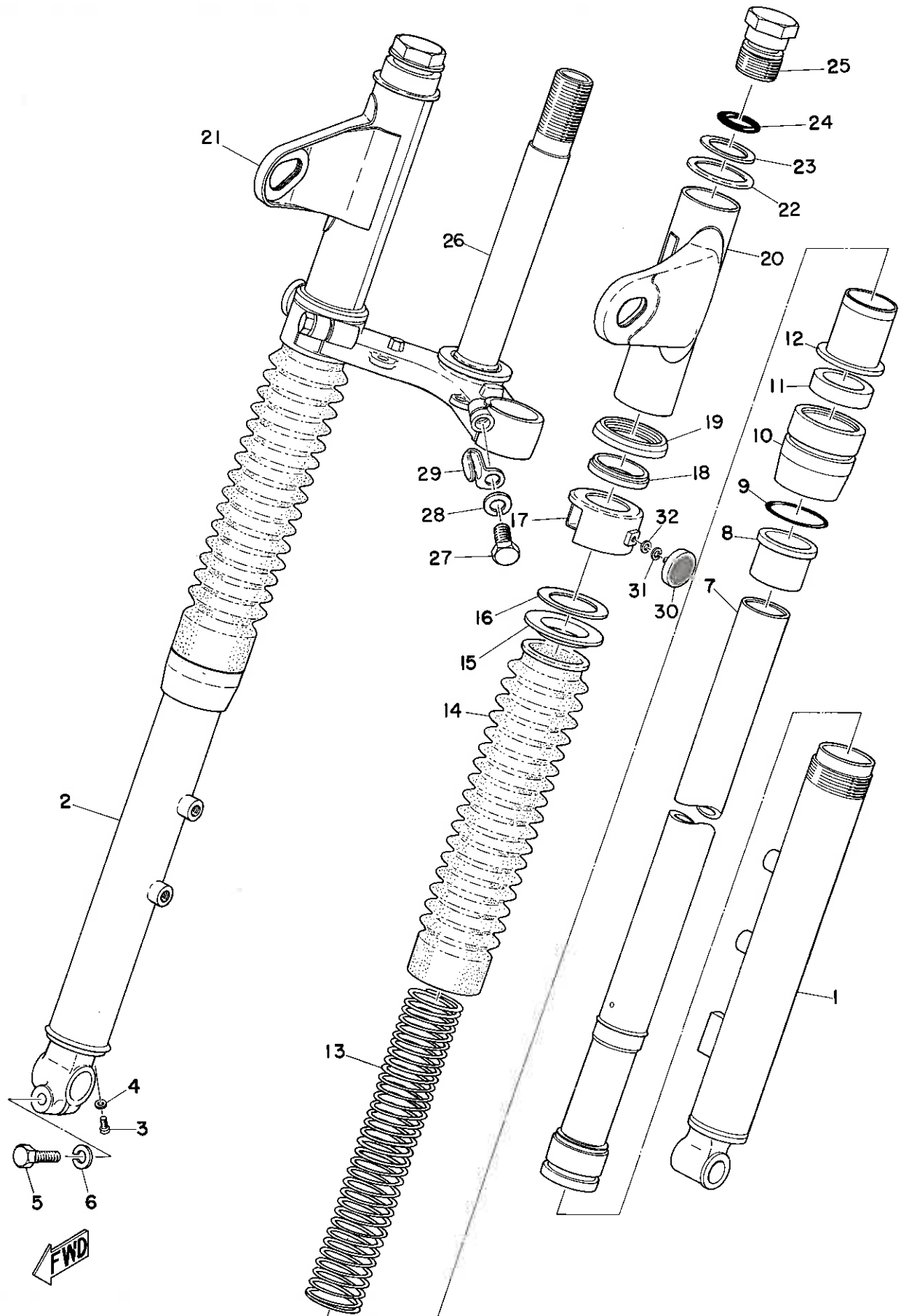
Fig. 27 FRONT FENDER · REAR FENDER (XS2)



## FRONT FENDER · REAR FENDER (XS2)

Ref. No.	Parts No.	Description	Q'ty			Applicable Machine No.	Remarks
			XS1	XS1F	XS2		
27-24	92801-06300	NUT .....			1		
27-25	137-24187-00	WASHER, special (6.5-23-2.0) .....			1		
27-26	97203-08015	BOLT .....			4		
27-27	92901-08100	WASHER, spring .....			4		
27-28	152-84518-00	GROMMET, tail lamp .....			2		

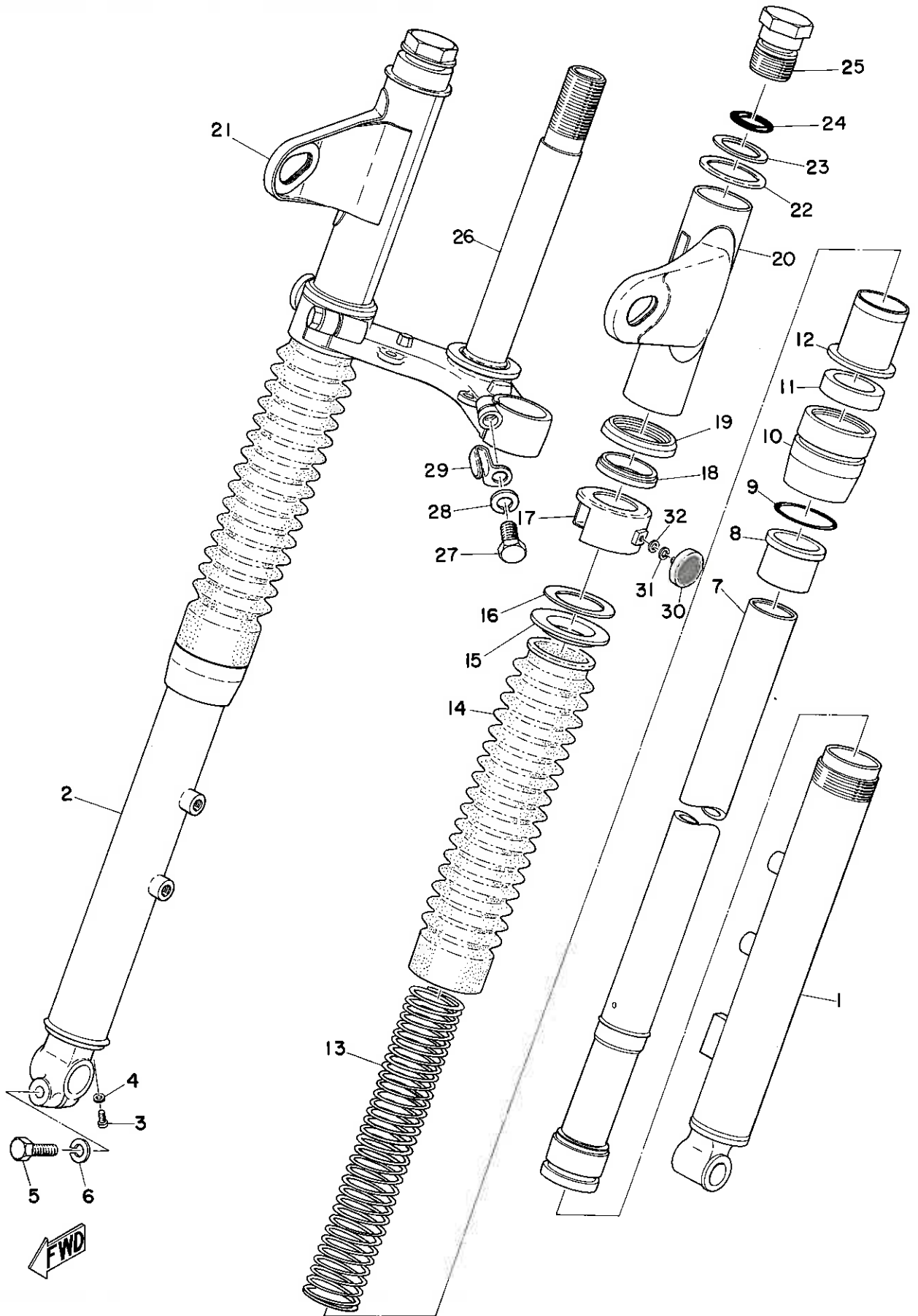
Fig. 28 FRONT FORK (XS1)



# FRONT FORK (XS1)

Ref. No.	Parts No.	Description	Q'ty			Applicable Machine No.	Remarks
			XS1	XS1F	XS2		
28- 0-1	256-23100-61-64	FRONT FORK ASS'Y	1				Candy Green
28- 1	256-23126-60	. TUBE, outer left	1				
28- 2	256-23136-60	. TUBE, outer right	1				
28- 3	122-23119-01	. PLUG, drain	2				
28- 4	122-23129-00	. GASKET, drain plug	2				
28- 5	97201-08030	. BOLT	1				
28- 6	92901-08100	. WASHER, spring	1				
28- 7	256-23124-60	. TUBE, inner	2				
28- 8	168-23125-01	. METAL, slide	2				
28- 9	156-23147-00	. O-RING	2				
28-10	211-23150-40	. OUTER NUT COMP.	2				
28-11	168-23145-00	. . OIL SEAL	2				
28-12	168-23143-00	. SEAT, spring under	2				
28-13	256-23141-60	. SPRING, fork	2				
28-14	211-23191-40	. BOOT	2				
28-15	211-23142-40	. SEAT, spring upper	2				
28-16	168-23146-00	. WASHER, oil seal	2				
28-17	256-23122-60	. COVER, outer	2				
28-18	256-23163-60	. PACKING, lamp stay	2				
28-19	256-23116-60	. GUIDE, cover under	2				
28-20	256-23121-60-64	. COVER, upper left	1				Candy Green
28-21	256-23131-60-64	. COVER, upper right	1				Candy Green
28-22	168-23115-00	. GUIDE, cover upper	2				
28-23	256-23112-60	. WASHER, cap (28, 5-39-1.6)	2				

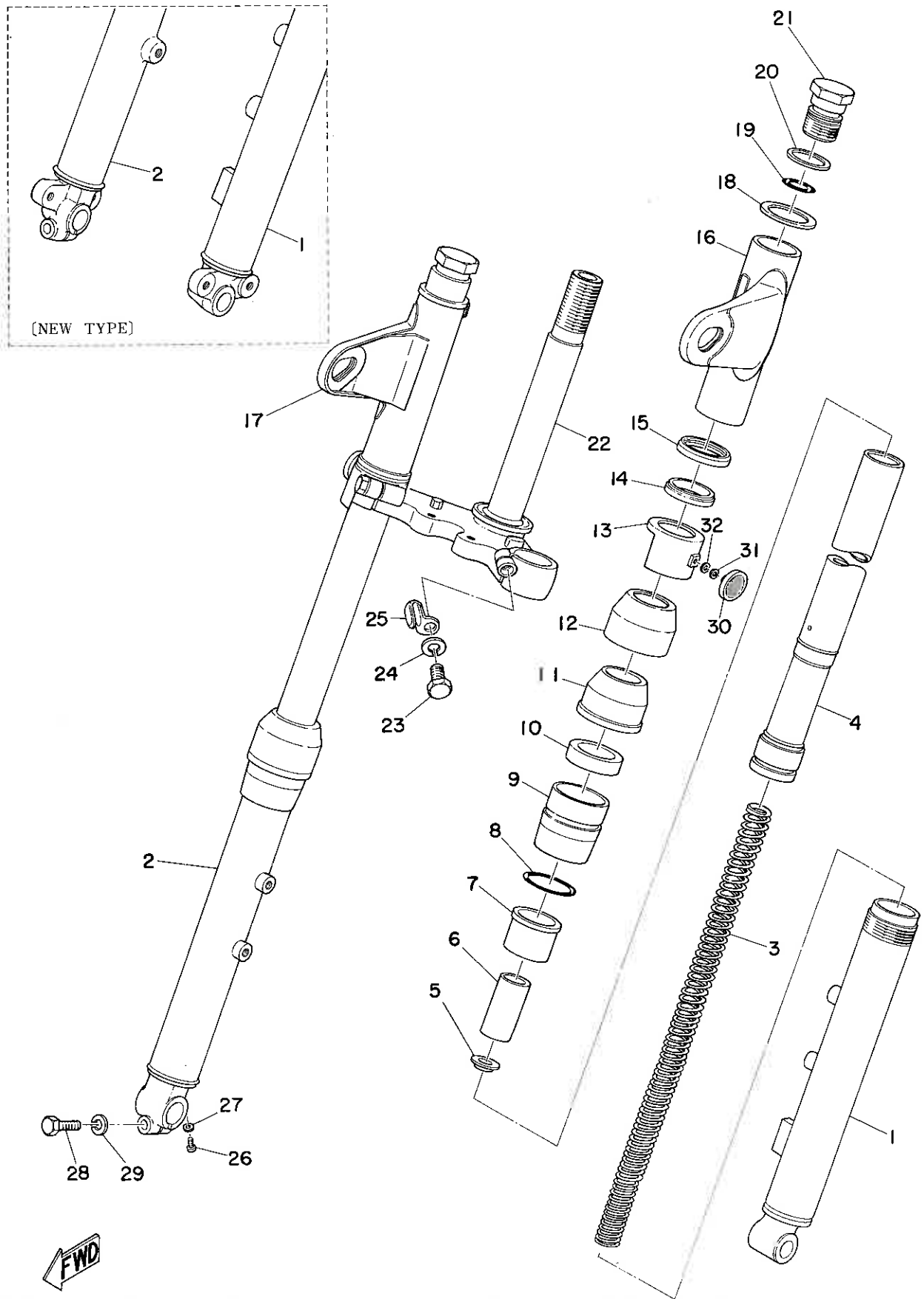
Fig. 28 FRONT FORK (XS1)



# FRONT FORK (XS1)

Ref. No.	Parts No.	Description	Q'ty		Applicable Machine No.	Remarks
			XS1	XS2		
28-24	214-23114-00	. O-RING .....		2		
28-25	256-23111-60	. BOLT, cap .....		2		
28-26	256-23340-61-33	. UNDER BRACKET COMP.		1		
28-27	122-23346-00	. BOLT, under bracket ....		2		
28-28	92901-10100	. WASHER, spring .....		2		
28-29	256-23318-60	. HOLDER, wire .....		1		
28-30	256-85111-10	REFLECTOR 1 .....		2		
28-31	92901-05100	WASHER, spring .....		2		
28-32	92901-05200	WASHER, plain .....		2		

Fig. 29 FRONT FORK (XS1F)

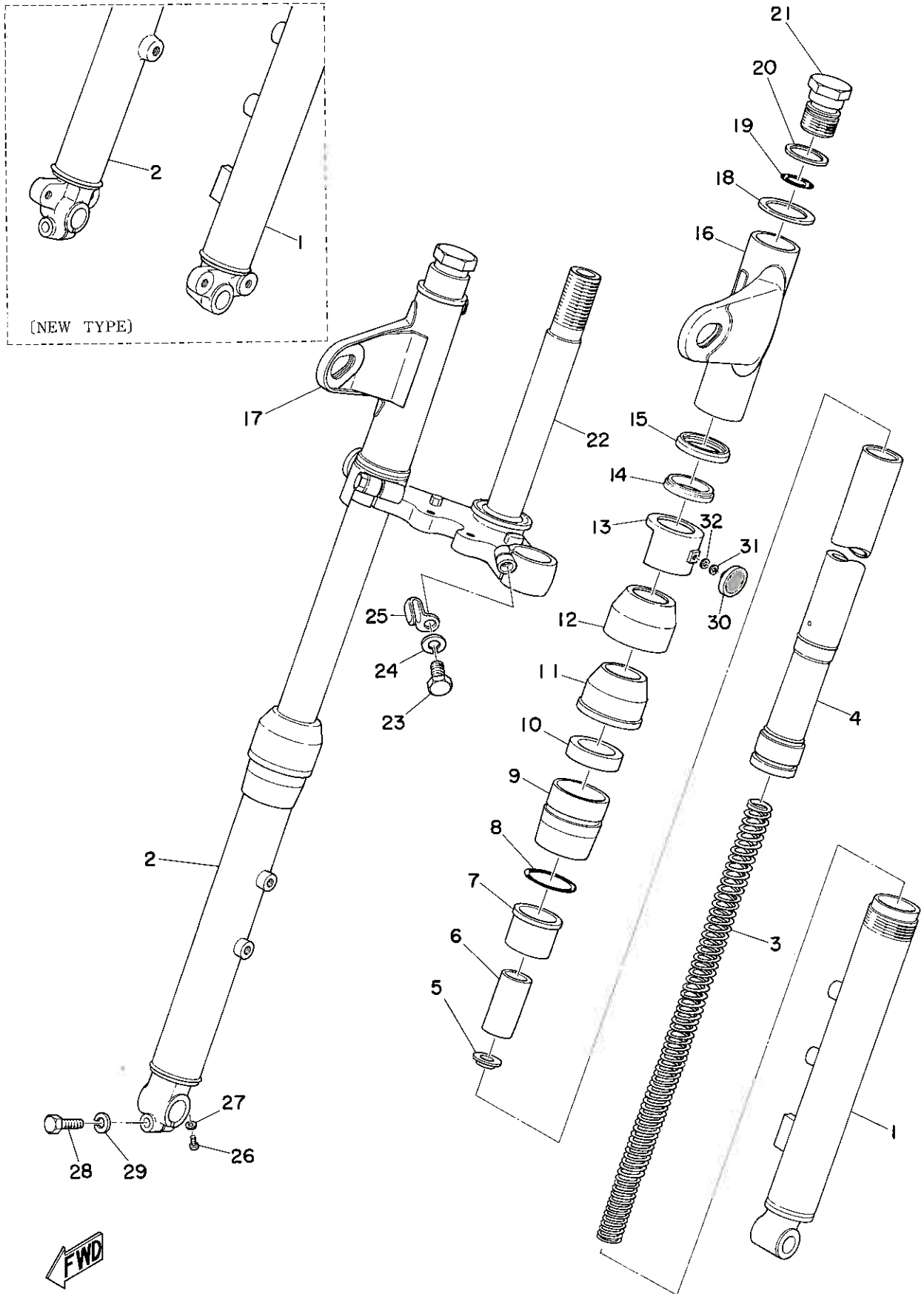




# FRONT FORK (XS1F)

Ref. No.	Parts No.	Description	Q'ty			Applicable Machine No.	Remarks
			XS1	XS1F	XS2		
29- 0-1	256-23100-50-52	FRONT FORK ASS'Y		1		Candy Orange	
	256-23100-51-52	FRONT FORK ASS'Y		1	011584~	Candy Orange	
29- 1	256-23126-61	. TUBE, outer left		1		Interchangeable with new one	
	256-23126-62-93	. TUBE, outer left		1	011584~		
29- 2	256-23136-61	. TUBE, outer right		1		Interchangeable with new one	
	256-23136-62-93	. TUBE, outer right		1	011584~		
29- 3	256-23141-62	. SPRING, fork		2			
29- 4	256-23124-60	. TUBE, inner		2			
29- 5	256-23142-60	. SEAT, spring upper		2			
29- 6	256-23118-60	. SPACER		2			
29- 7	168-23125-01	. METAL, slide		2			
29- 8	156-23147-00	. O-RING		2			
29- 9	256-23150-60	. OUTER NUT COMP.		2			
29-10	278-23145-50	. OIL SEAL		2			
29-11	278-23144-50	. SEAL, dust		2			
29-12	278-23148-50	. COVER, dust seal		2			
29-13	256-23122-60	. COVER, outer		2			
29-14	256-23163-60	. PACKING (lamp stay)		2			
29-15	256-23116-61	. GUIDE, cover under		2			
29-16	256-23121-61-52	. COVER, upper left		2		Candy Orange	
29-17	256-23131-61-52	. COVER, upper right		2		Candy Orange	
29-18	168-23115-00	. GUIDE, cover upper		2			
29-19	214-23114-00	. PACKING		2			
29-20	256-23112-61	. WASHER, cap		2			

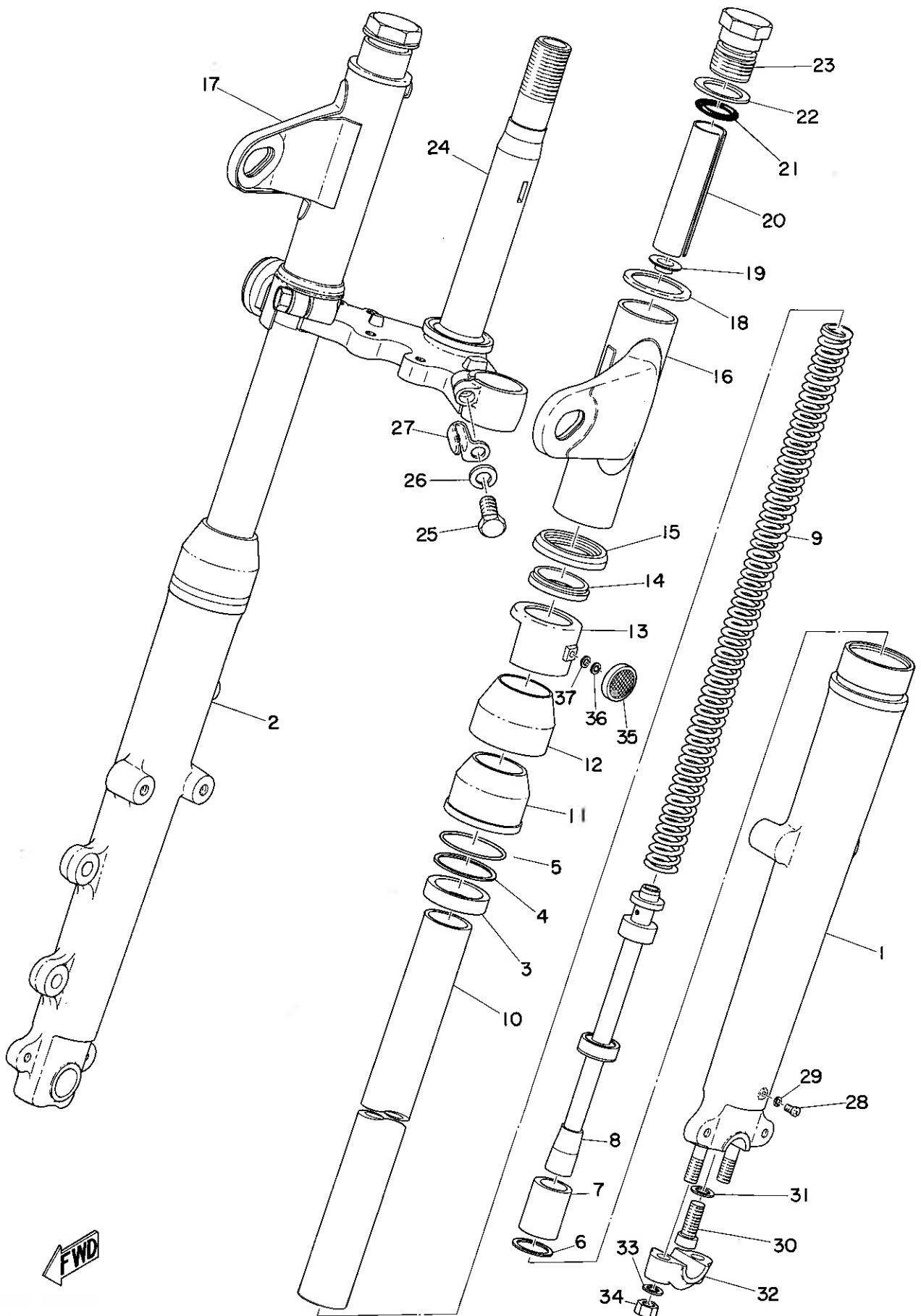
Fig. 29 FRONT FORK (XS1F)



# FRONT FORK (XS1F)

Ref. No.	Parts No.	Description	Q'ty			Applicable Machine No.	Remarks
			XS1	XS1F	XS2		
29-21	256-23111-60	. BOLT, cap .....			2		
29-22	256-23340-61-33	. UNDER BRACKET COMP. ...			1	Interchangeable with new one	
	256-23340-62-33	. UNDER BRACKET COMP. ...			1		
29-23	122-23346-00	. BOLT, under bracket .....			2		
29-24	92901-10100	. WASHER, spring .....			2		
29-25	256-23318-60	. HOLDER, wire .....			1		
29-26	122-23119-01	. PLUG, drain .....			2		
29-27	122-23129-00	. GASKET, drain plug .....			2		
29-28	97201-08030	. BOLT .....			1		
29-29	92901-08100	. WASHER, spring .....			1		
29-30	256-85111-10	REFLECTOR .....			2		
29-31	92901-05100	WASHER, spring .....			2		
29-32	92901-05200	WASHER, palin .....			2		

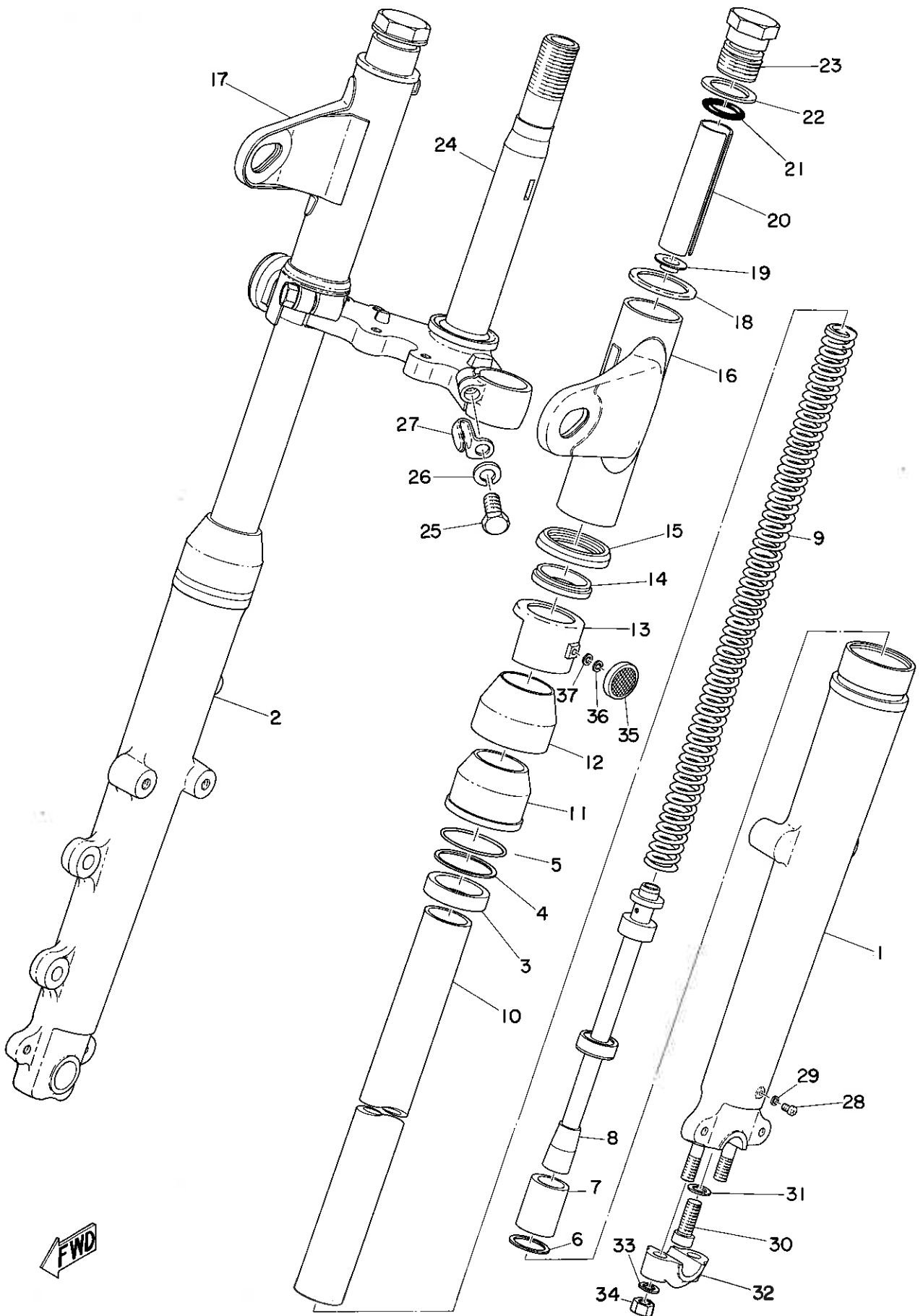
Fig. 30 FRONT FORK (XS2)



# FRONT FORK (XS2)

Ref. No.	Parts No.	Description	Q'ty			Applicable Machine No.	Remarks
			XS1	XS1F	XS2		
30- 0-1	306-23100-90-11	FRONT FORK ASS'Y			1		Pearl Yellow Gold
30- 1	306-23126-60	. TUBE, outer left			1		
30- 2	306-23136-60	. TUBE, outer right			1		
30- 3	278-23145-50	. . OIL SEAL			2		
30- 4	214-23146-00	. . WASHER, oil seal			2		
30- 5	214-23156-00	. . CLIP, oil seal			2		
30- 6	93420-28025	. CIRCLIP			2		
30- 7	278-23171-50	. PISTON, front fork			2		
30- 8	306-23170-60	. CYLINDER COMP.			2		
30- 9	256-23141-62	. SPRING, fork			2		
30-10	306-23124-60	. TUBE, inner			2		
30-11	278-23144-50	. SEAL, dust			2		
30-12	278-23148-50	. COVER, dust seal			2		
30-13	275-23122-60	. COVER, outer			2		
30-14	256-23163-60	. PACKING			2		
30-15	256-23116-61	. GUIDE, cover under			2		
30-16	256-23121-61-11	. COVER, upper left			1		Pearl Yellow Gold
30-17	256-23131-61-11	. COVER, upper right			1		Pearl Yellow Gold
30-18	168-23115-00	. GUIDE, cover upper			2		
30-19	256-23142-60	. SEAT, spring upper			2		
30-20	306-23118-60	. SPACER			2		
30-21	214-23114-00	. PACKING			2		
30-22	256-23112-61	. WASHER, cap			2		
30-23	256-23111-60	. BOLT, cap			2		

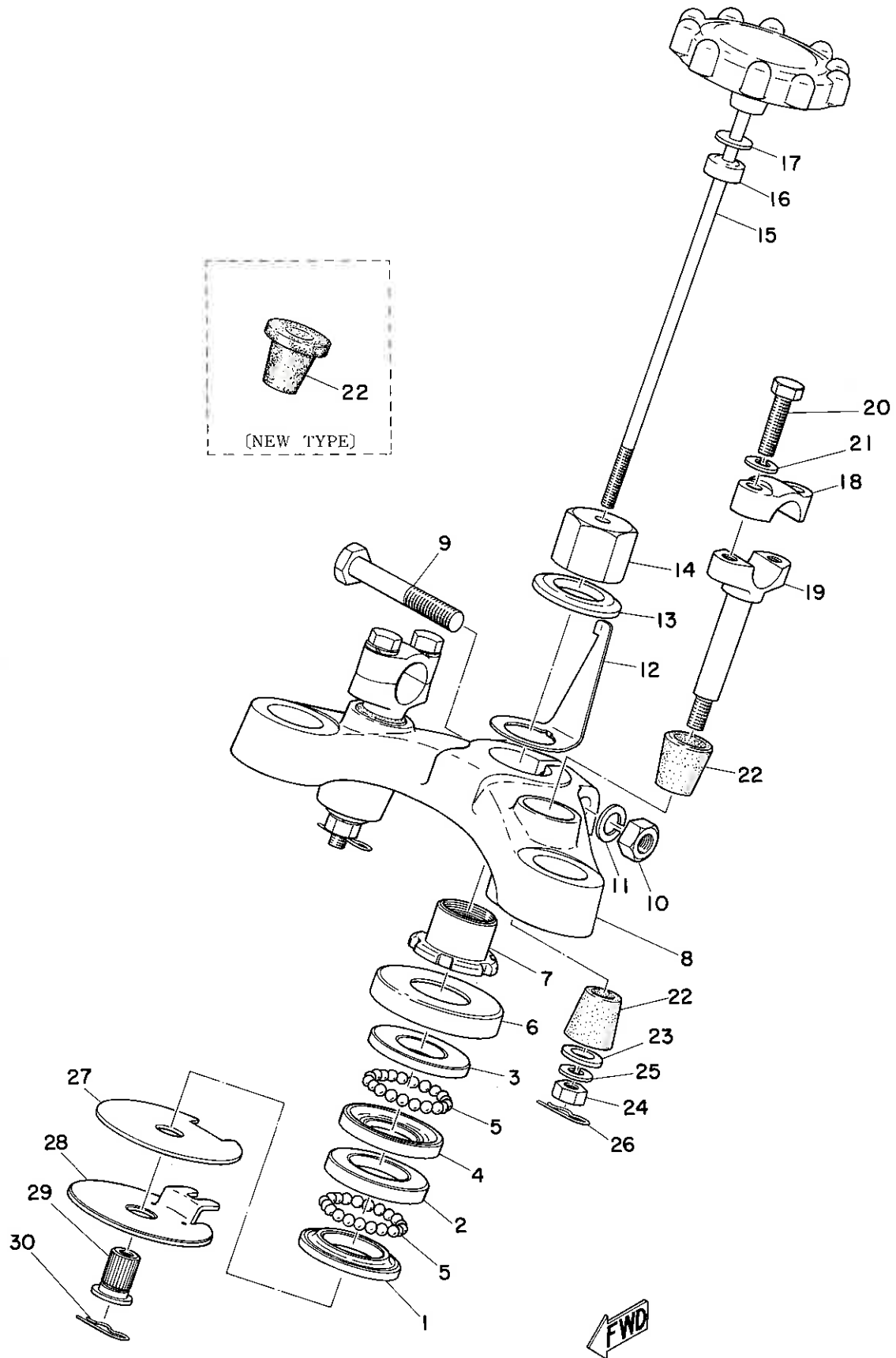
Fig. 30 FRONT FORK (XS2)



# FRONT FORK (XS2)

Ref. No.	Parts No.	Description	Q'ty			Applicable Machine No.	Remarks
			XS1	XS1F	XS2		
30-24	306-23340-60-33	. UNDER BRACKET COMP.			1		
30-25	306-23346-60	. BOLT, under bracket			2		
30-26	92901-12100	. WASHER, spring			2		
30-27	306-23318-60	. HOLDER, wire			1		
30-28	122-23119-01	. PLUG, drain			2		
30-29	122-23129-00	. GASKET, drain plug			2		
30-30	278-23181-50	. BOLT			2		
30-31	278-23158-50	. PACKING			2		
30-32	306-23167-60	. HOLDER, axle			1		
30-33	92901-08100	. WASHER, spring			2		
30-34	98801-08100	. NUT			2		
30-35	256-85111-10	REFLECTOR			2		
30-36	92901-05100	WASHER, spring			2		
30-37	92901-05200	WASHER, plain			2		

Fig. 31 STEERING

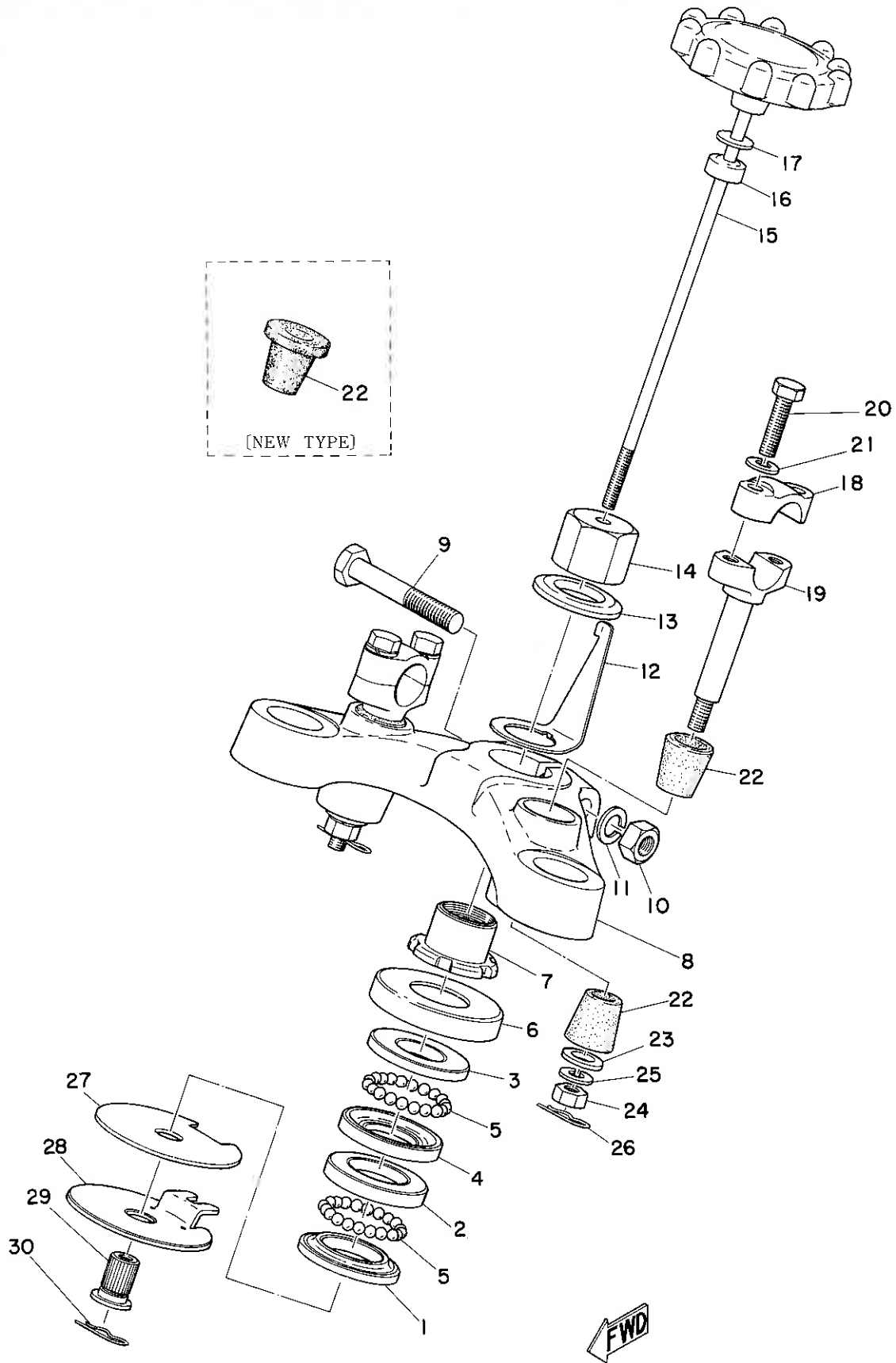




# STEERING

Ref. No.	Parts No.	Description	Q'ty			Applicable Machine No.	Remarks
			XS1	XS1F	XS2		
31- 1	256-23411-00	RACE, ball 1 .....	1	1	1		
31- 2	256-23412-00	RACE, ball 2 .....	1	1	1		
31- 3	256-23413-00	RACE, ball 3 .....	1	1	1		
31- 4	256-23414-00	RACE, ball 4 .....	1	1	1		
31- 5	93501-04011	BALL (1/4") .....	38	38	38		
31- 6	136-23415-00	COVER, ball race .....	1	1	1		
31- 7	256-23454-00	NUT, fitting 2 .....	1	1	1		
31- 8	256-23435-00	CROWN, handle .....	1			Frosting Black	
	256-23435-01	CROWN, handle .....	1	1	1	Frosting Black	
31- 9	91203-10065	BOLT .....	1	1	1		
31-10	92803-10200	NUT .....	1	1	1		
31-11	93901-10100	WASHER, spring .....	1	1	1		
31-12	256-23428-00	SPRING, damper .....	1	1	1		
31-13	256-23443-00	WASHER, crown .....	1	1	1		
31-14	256-23453-00	NUT, fitting 1 .....	1	1	1		
31-15	256-23419-00	SHAFT, damper .....	1	1	1		
31-16	141-23427-00	WASHER .....	1	1	1		
31-17	156-23418-00	WASHER, special (6.5-18-0.6) .....	1	1	1		
31-18	256-23441-00	HOLDER, handle upper ....	2	2	2	Frosting Black	
31-19	256-23442-00	HOLDER, handle under ....	2	2	2	Frosting Black	
31-20	97103-08030	BOLT .....	4	4	4		
31-21	92901-08100	WASHER, spring .....	4	4	4		

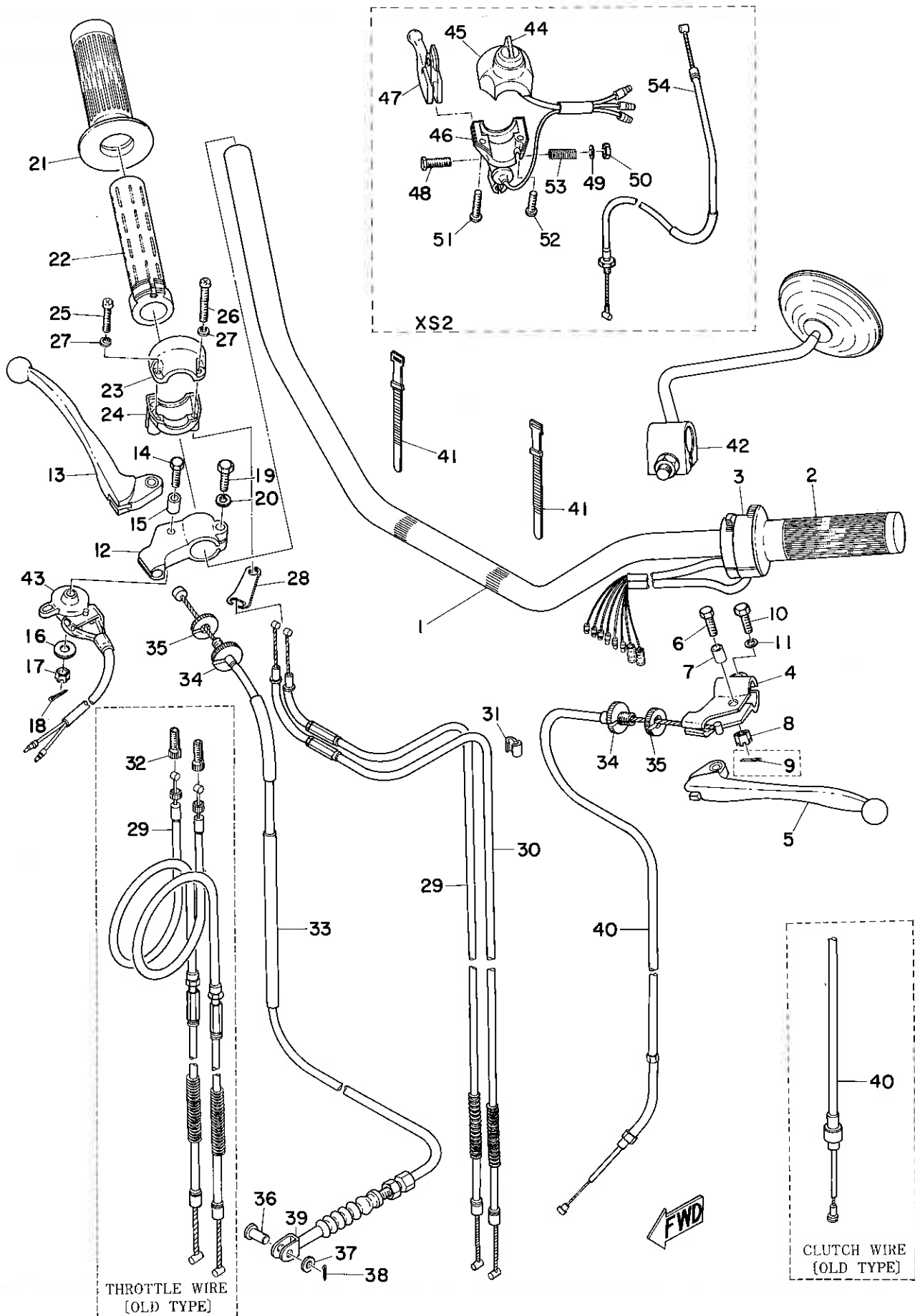
Fig. 31 STEERING



# STEERING

Ref. No.	Parts No.	Description	Q'ty			Applicable Machine No.	Remarks
			XS1	XS1F	XS2		
31-22	256-23434-00	RUBBER, bushing	4	4			
	256-23434-01	RUBBER, bushing	4	4		017354~	
31-23	135-22244-00	WASHER, special (10.5-25-2.0)	2	2			
	256-23444-00	WASHER, special	2	2		017354~	
31-24	98801-10300	NUT	2	2	2		
31-25	92901-10100	WASHER, spring	2	2	2		
31-26	136-25375-00	CLIP, tension bar	2	2	2		
31-27	256-23425-00	DAMPER, friction	1	1	1		
31-28	256-23422-00	PLATE, damper 2	1	1	1		
31-29	256-23424-00	GUIDE, damper	1	1	1		
31-30	156-83525-00	CLIP	1	1	1		

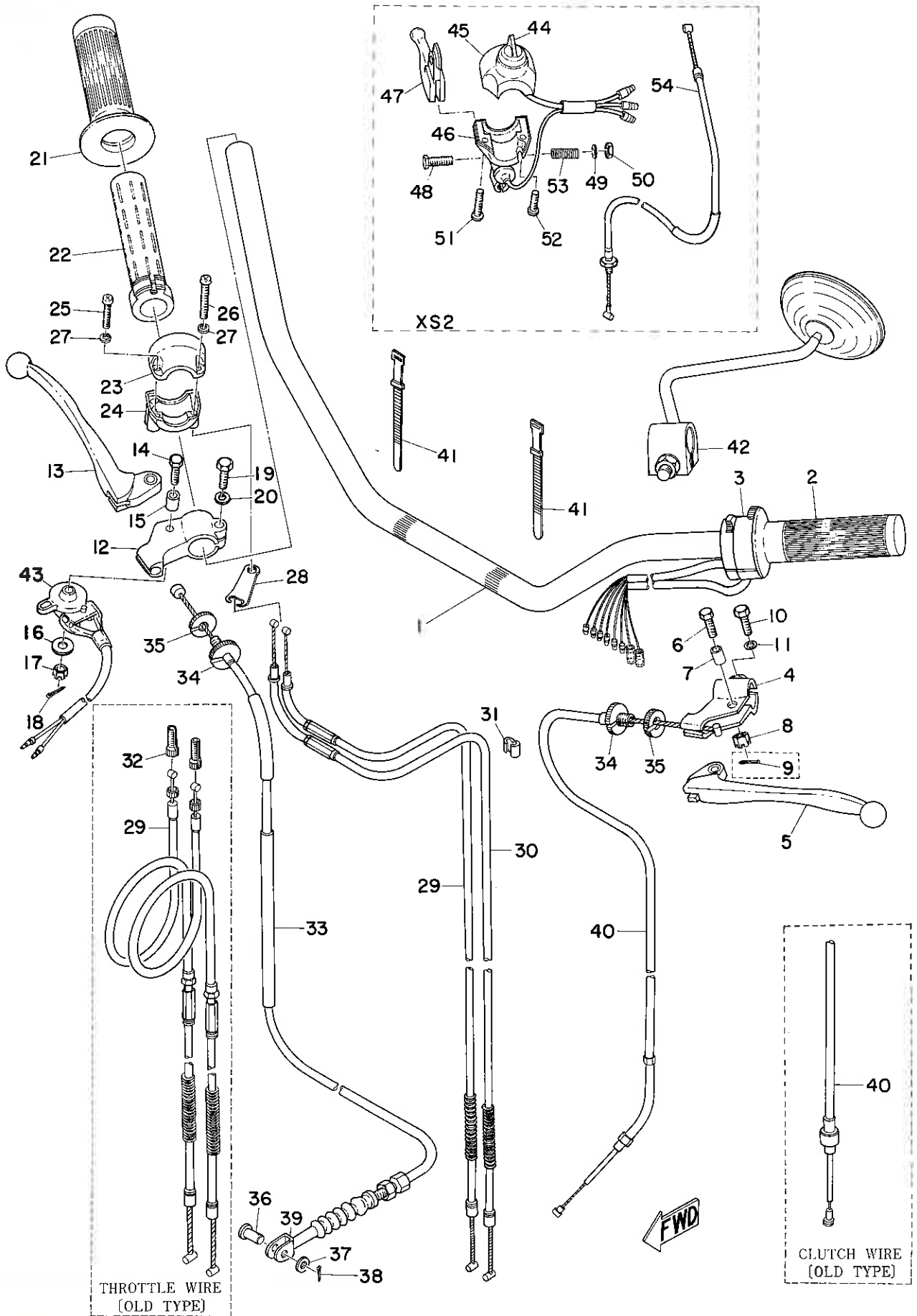
Fig. 32 HANDLE · WIRE



# HANDLE · WIRE

Ref. No.	Parts No.	Description	Q'ty			Applicable Machine No.	Remarks
			XS1	XS1F	XS2		
32- 1	256-26111-00	HANDLE .....	1	1	1		
	306-26111-20	HANDLE .....	1	1	1	Bar	
32- 2	235-26241-10	GRIP, left .....	1	1	1		
32- 3	235-83972-10	SIWTCH, handle 4 .....	1	1			
	256-83972-20	SIWTCH, handle 4 .....	1	1	1	Bar	
	306-83972-00-98	SWITCH, handle 4 .....			1	Frosting Black	
32- 0-1	214-82910-01	LEVER HOLDER ASS'Y, left	1				
	214-82910-03	LEVER HOLDER ASS'Y, left	1	1			
	306-82910-00	LEVER HOLDER ASS'Y, left			1		
32- 4	214-82911-00	. HOLDER, lever left .....	1				
	214-82911-01	. HOLDER, lever left .....	1	1			
	306-82911-00-98	. HOLDER, lever left .....			1	Frosting Black	
32- 5	214-83912-01	. LEVER, left .....	1	1	1		
32- 6	214-83915-00	. SCREW, lever fitting .....	1				
	91203-06020	. BOLT .....	1	1	1		
32- 7	214-83913-00	. COLLAR, lever .....	1	1	1		
32- 8	92802-06500	. NUT, slotted .....	1				
	98801-06300	. NUT .....	1	1	1		
32- 9	91401-12015	. PIN, cotter .....	1				
32-10	91203-06020	. BOLT .....	1	1	1		
32-11	92901-06100	. WASHER, spring .....	1	1	1		
32- 0-2	233-82920-31	LEVER HOLDER ASS'Y, right	1				
	233-82920-33	LEVER HOLDER ASS'Y, right	1	1			
32-12	233-82921-30	. HOLDER, lever right .....	1				
	233-82921-31	. HOLDER, lever right .....	1	1			
32-13	233-83922-31	. LEVER, right .....	1	1			

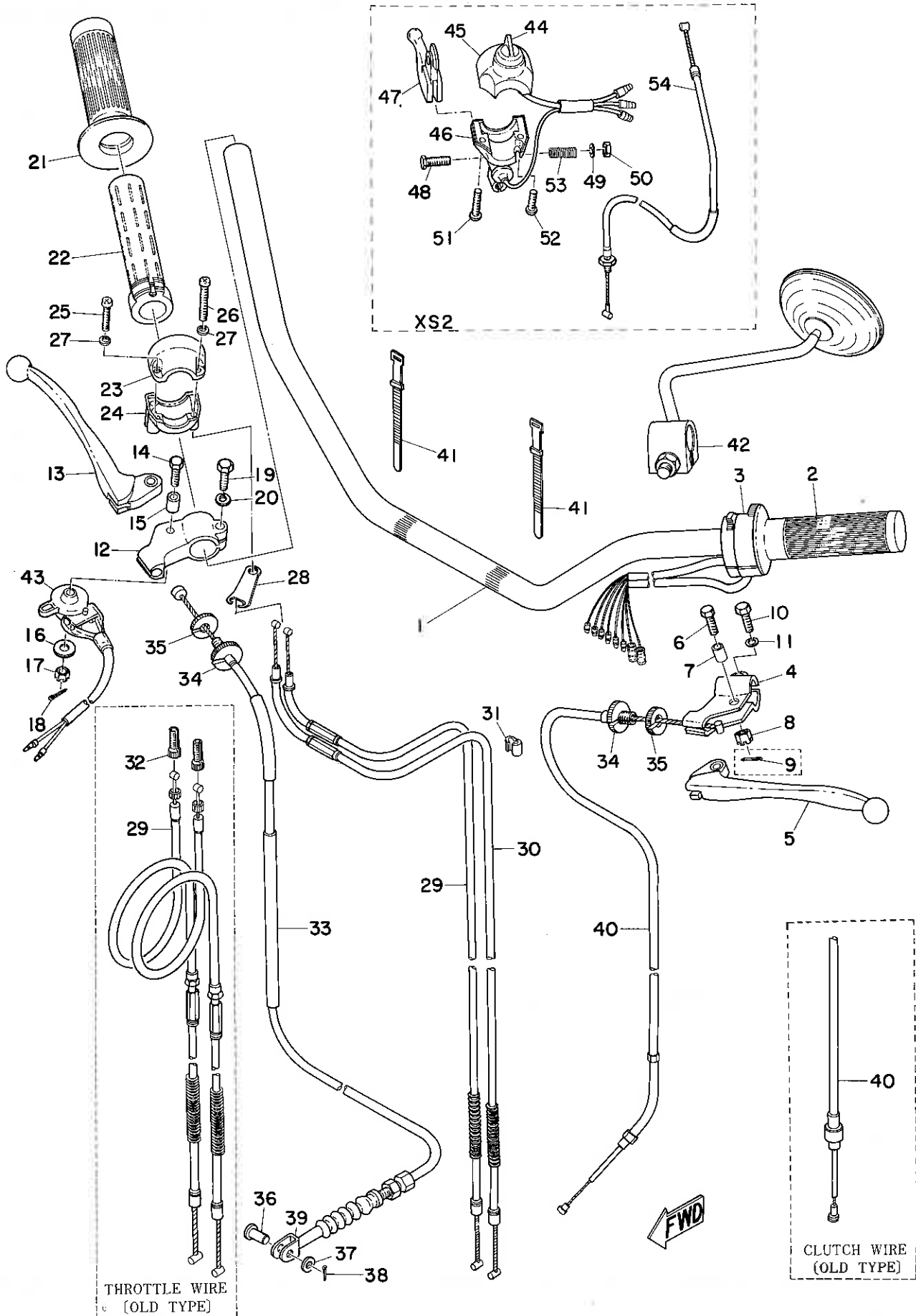
Fig. 32 HANDLE · WIRE



# HANDLE · WIRE

Ref. No.	Parts No.	Description	Q'ty			Applicable Machine No.	Remarks
			XS1	XS1F	XS2		
32-14	233-83915-01	. SCREW, lever fitting	1	1			
32-15	214-83913-00	. COLLAR, lever	1	1			
32-16	92901-06200	. WASHER, plain	1	1			
32-17	92802-06500	. NUT, slotted	1	1			
32-18	91401-12015	. PIN, cotter	1	1			
32-19	91203-06020	. BOLT	1	1			
32-20	92901-06100	. WASHER, spring	1	1			
32-21	235-26242-10	GRIP, right	1	1			
	306-26242-10	GRIP, right			1		
32-22	256-26243-00	TUBE, guide	1	1	1		
32-23	256-26281-00	CAP, grip upper	1	1			
32-24	177-26282-01	CAP, grip under	1				
	256-26282-00	CAP, grip under	1	1			
32-25	98503-05030	SCREW, pan head	1	1			
32-26	98503-05045	SCREW, pan head	1	1			
32-27	92903-05100	WASHER, spring	2	2			
32-28	256-26393-00	HOLDER, wire guide	1	1			
	306-296393-00	HOLDER, wire guide			1		
32-29	256-26311-00	WIRE, throttle 1	2				
	256-26311-01	WIRE, throttle 1	1	1	1		
	306-26311-20	WIRE, throttle 1	1	1	1	Bar	
32-30	256-26312-00	WIRE, throttle 2	1	1	1		
	306-26312-20	WIRE, throttle 2	1	1	1	Bar	
32-31	256-26391-00	CLIP, wire 1	2	2	2		

Fig. 32 HANDLE · WIRE

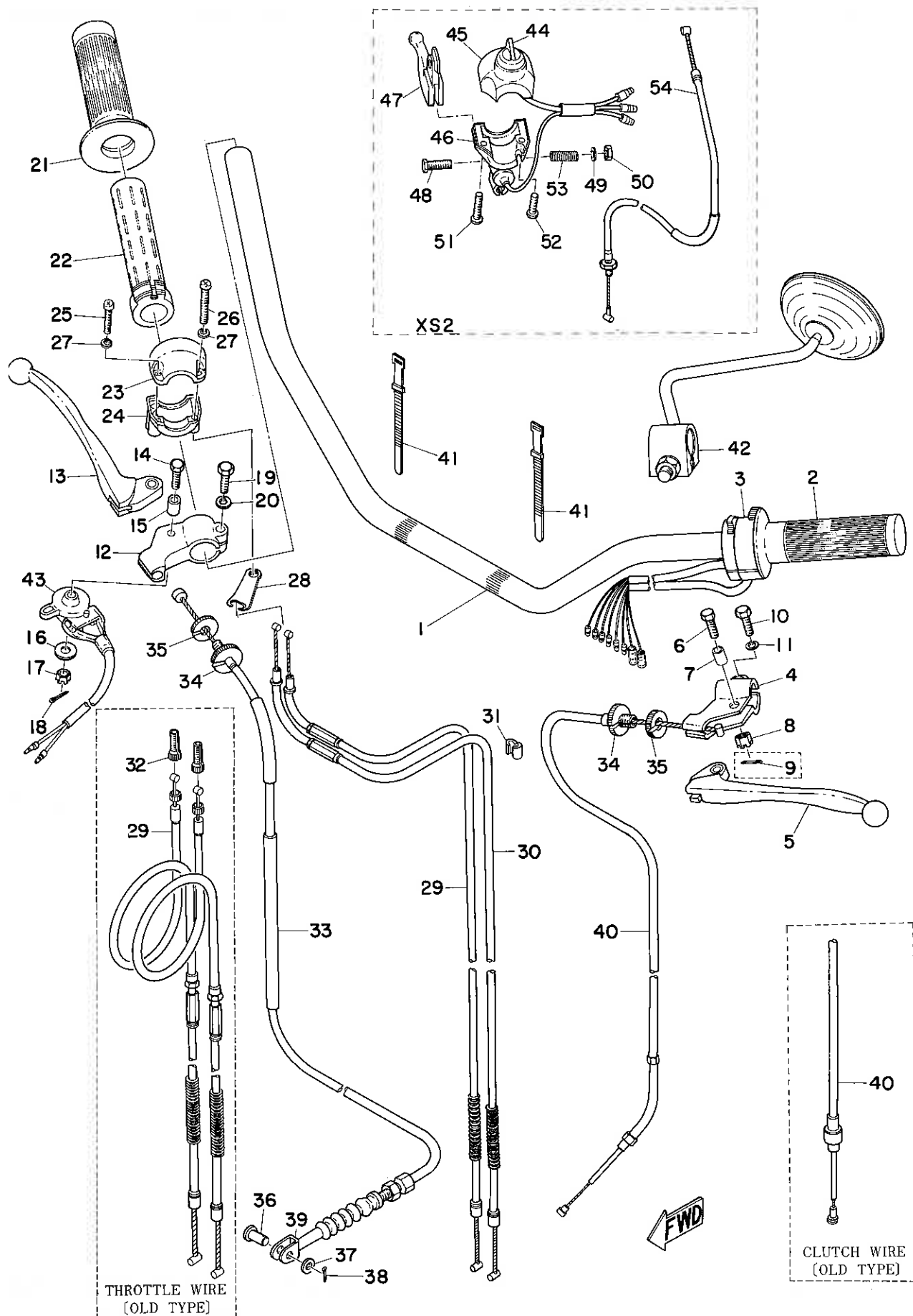




# HANDLE · WIRE

Ref. No.	Parts No.	Description	Q'ty			Applicable Machine No.	Remarks
			XS1	XS1F	XS2		
32-32	177-26253-01	BOLT, wire adjusting			2		
32-33	256-26341-00	WIRE, brake front			1	1	
32-34	214-26337-00	BOLT, adjusting 1			2	2	1
32-35	256-26344-00	NUT, wire adjusting			2	2	1
32-36	156-27229-00	PIN, link joint 2			1	1	
32-37	156-27226-00	WASHER, pedal link			1	1	
32-38	91401-20012	PIN, cotter			1	1	
32-39	156-26347-00	JOINT, wire			1	1	
32-40	256-26335-00	WIRE, clutch			1		
	256-26335-01	WIRE, clutch			1	1	1 001125~
	306-26335-20	WIRE, clutch			1	1	1 Bar
32-41	168-83936-01	BAND, switch cord			2	2	2
32-42	256-26290-10	BACK MIRROR ASS'Y, left			1	1	1
	256-26290-00	BACK MIRROR ASS'Y, right			1	1	1 Alternate Parts
32-43	233-83980-30	FRONT STOP SWITCH ASS'Y			1	1	
	306-83980-30	FRONT STOP SWITCH ASS'Y				1	
32-44	306-83975-00	SWITCH, handle 2				1	1 Frosting Black
32-45	306-83986-00	. CASE, switch upper				1	1 Not for sale
32-46	306-83987-00	. CASE, switch under				1	1 Not for sale
32-47	306-83981-00	. LEVER, decompression				1	
32-48	91203-06020	. BOLT				1	
32-49	92901-06100	. WASHER, spring				1	
32-50	98801-06300	. NUT				1	

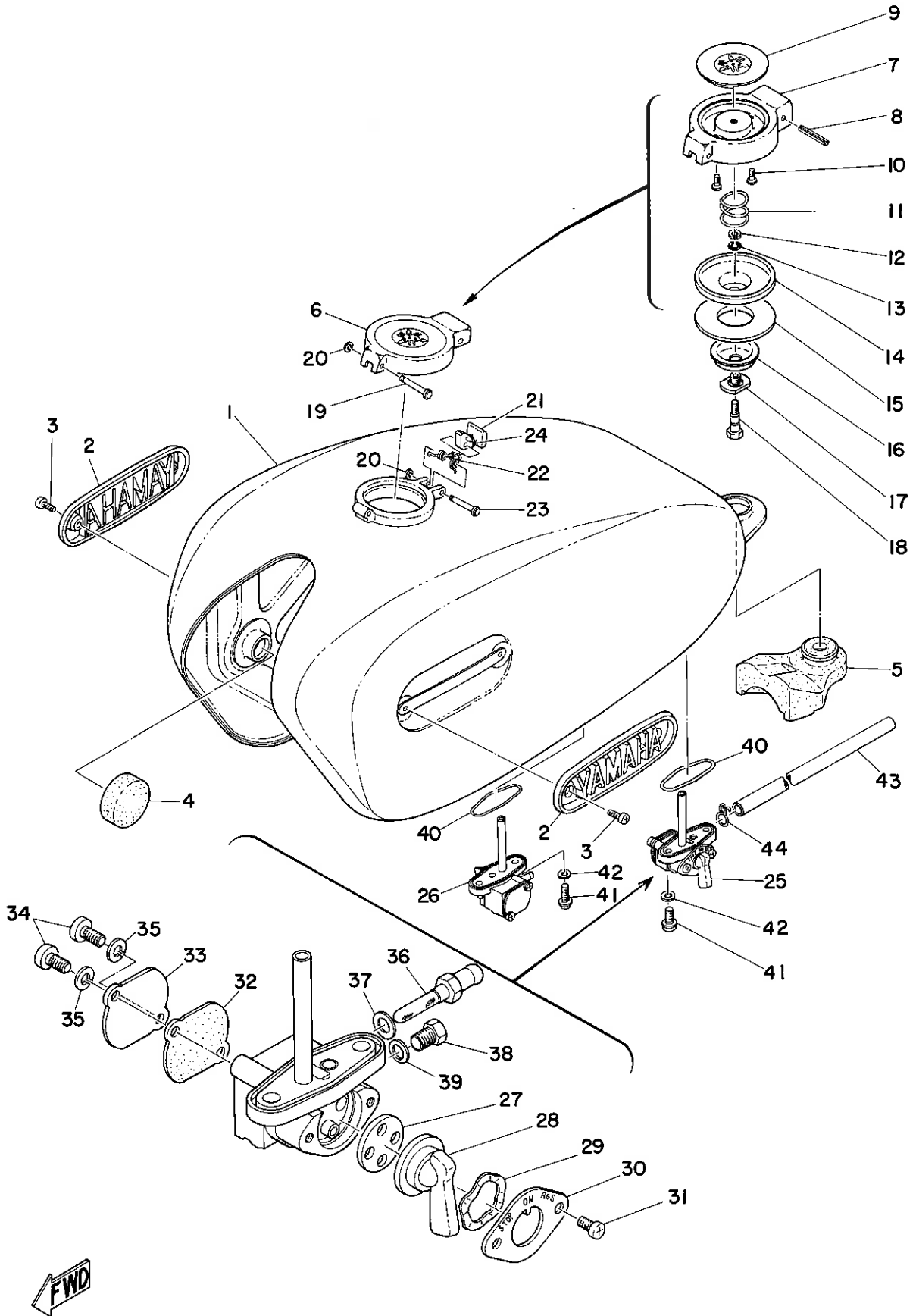
Fig. 32 HANDLE · WIRE



# HANDLE · WIRE

Ref. No.	Parts No.	Description	Q'ty		Applicable Machine No.	Remarks
			XS1	XS1F XS2		
32-51	98501-05035	. SCREW, pan head	.....	1		
32-52	98501-05020	. SCREW, pan head	.....	1		
32-53	306-83924-00	. SPRING, lever return	.....	1		
32-54	306-26371-00	WIRE, decompression	.....	1		
	306-26371-20	WIRE, decompression	.....	1		Bar

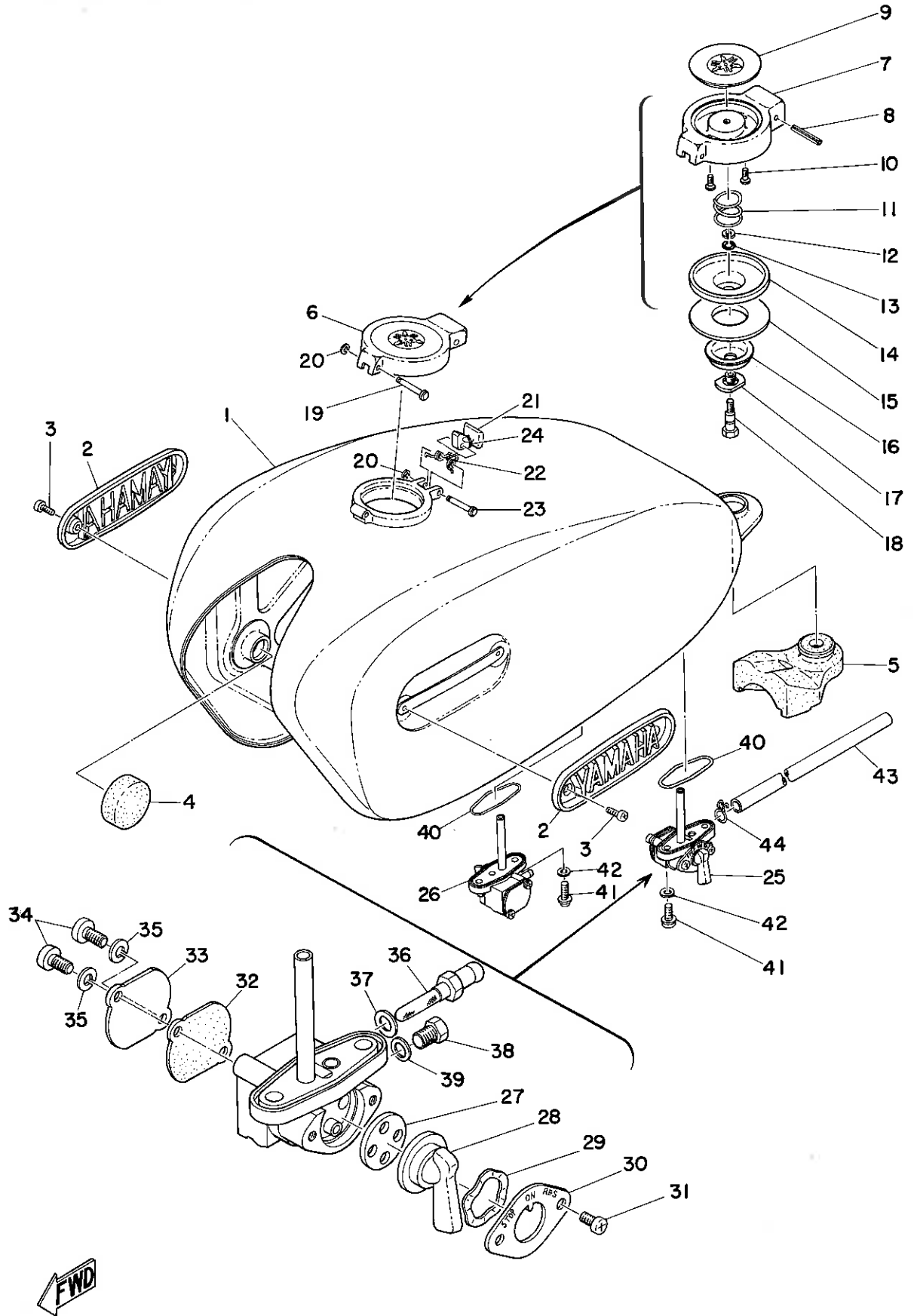
Fig. 33 FUEL TANK



# FUEL TANK

Ref. No.	Parts No.	Description	Q'ty			Applicable Machine No.	Remarks
			XS1	XS1F	XS2		
33- 1	256-24110-00-01	FUEL TANK COMP. ....	1			Candy Green	
	256-24110-00-02	FUEL TANK COMP. ....		1		Candy Orange	
	256-24110-00-05	FUEL TANK COMP. ....			1	Pearl Yellow Gold	
33- 2	214-24161-00	EMBLEM, fuel tank .....	2				
	211-24161-00	EMBLEM, fuel tank .....		2	2		
33- 3	98501-04008	SCREW, pan head .....	4	4	4		
33- 4	156-24181-00	DAMPER, tank locating .....	2	2	2		
33- 5	256-24181-01	DAMPER, locating .....	1	1	1		
33- 6	256-24610-00	CAP ASS'Y .....	1	1	1	Not for sale	
33- 7	256-24611-00	BODY, cap .....	1	1	1		
33- 8	91609-25032	SPRING PIN .....	1	1	1		
33- 9	256-24614-00	PLATE, cap .....	1	1	1		
33-10	98701-03008	SCREW, flat head .....	2	2	2		
33-11	256-24621-00	SPRING, cap .....	1	1	1		
33-12	92901-04100	WASHER, spring .....	1	1	1		
33-13	93210-04122	O-RING (1.2-4.0) .....	1	1	1		
33-14	256-24613-00	DISC, cap .....	1	1	1		
33-15	256-24612-00	PACKING, cap .....	1	1	1		
33-16	256-24615-00	GASKET, plate .....	1	1	1		
33-17	256-24626-00	BOLT, cap .....	1	1	1		
33-18	256-24625-00	GUIDE, cap .....	1	1	1		
33-19	256-24623-00	PIN 1 .....	1	1	1		
33-20	93430-02001	CIRCLIP (E-2) .....	2	2	2		
33-21	256-24628-00	HOOK .....	1	1	1		
33-22	256-24637-00	SPRING .....	1	1	1		

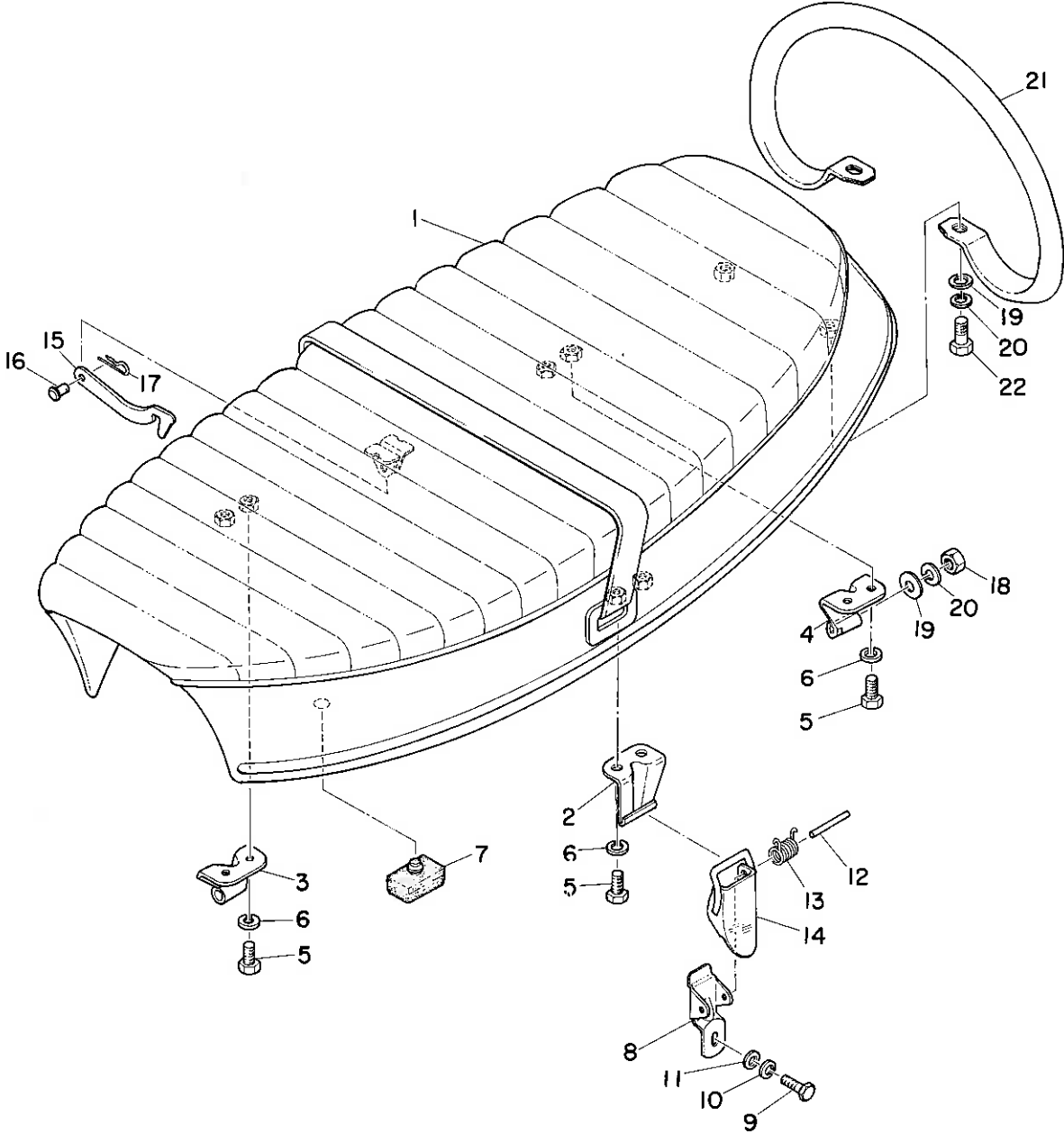
# Fig. 33 FUEL TANK



# FUEL TANK

Ref. No.	Parts No.	Description	Q'ty			Applicable Machine No.	Remarks
			XS1	XS1F	XS2		
33-23	256-24624-00	PIN 2 .....	1	1	1		
33-24	93210-06125	O-RING (1.9-5.8) .....	1	1	1		
33-25	256-24500-00	FUEL COCK ASS'Y, left ....	1	1	1		
33-26	256-24510-00	FUEL COCK ASS'Y, right ...	1	1	1		
33-27	137-24523-00	. VALVE .....	2	2	2		
33-28	256-24524-00	. LEVER, cock .....	2	2	2		
33-29	132-24518-00	. WASHER, wave .....	2	2	2		
33-30	132-24525-00	. PLATE, lever fitting ....	2	2	2		
33-31	98501-03006	. SCREW, pan head .....	4	4	4		
33-32	256-24522-00	. PACKING, filter .....	2	2	2		
33-33	256-24521-00	. COVER, filter .....	2	2	2		
33-34	98501-04008	. SCREW, pan head .....	4	4	4		
33-35	92901-04100	. WASHER, spring .....	4	4	4		
33-36	256-24537-00	. NIPPLE .....	2	2	2		
33-37	256-24528-00	. GASKET .....	2	2	2		
33-38	256-24543-00	. PLUG, drain .....	2	2	2		
33-39	801-24437-00	. GASKET .....	2	2	2		
33-40	256-24512-00	. GASKET, body .....	2	2	2		
33-41	256-24143-00	BOLT, cock connecting ....	4	4	4		
33-42	178-14766-00	WASHER, protector (6.2-12-1.5) .....	4	4	4		
33-43	170-24312-00	PIPE, fuel 2 (5-170) .....	2	2			
	170-24311-00	PIPE, fuel 1 (5-140) .....			2		
33-44	101-24356-00	CLIP, pipe .....	6	6	6		

Fig. 34 SEAT



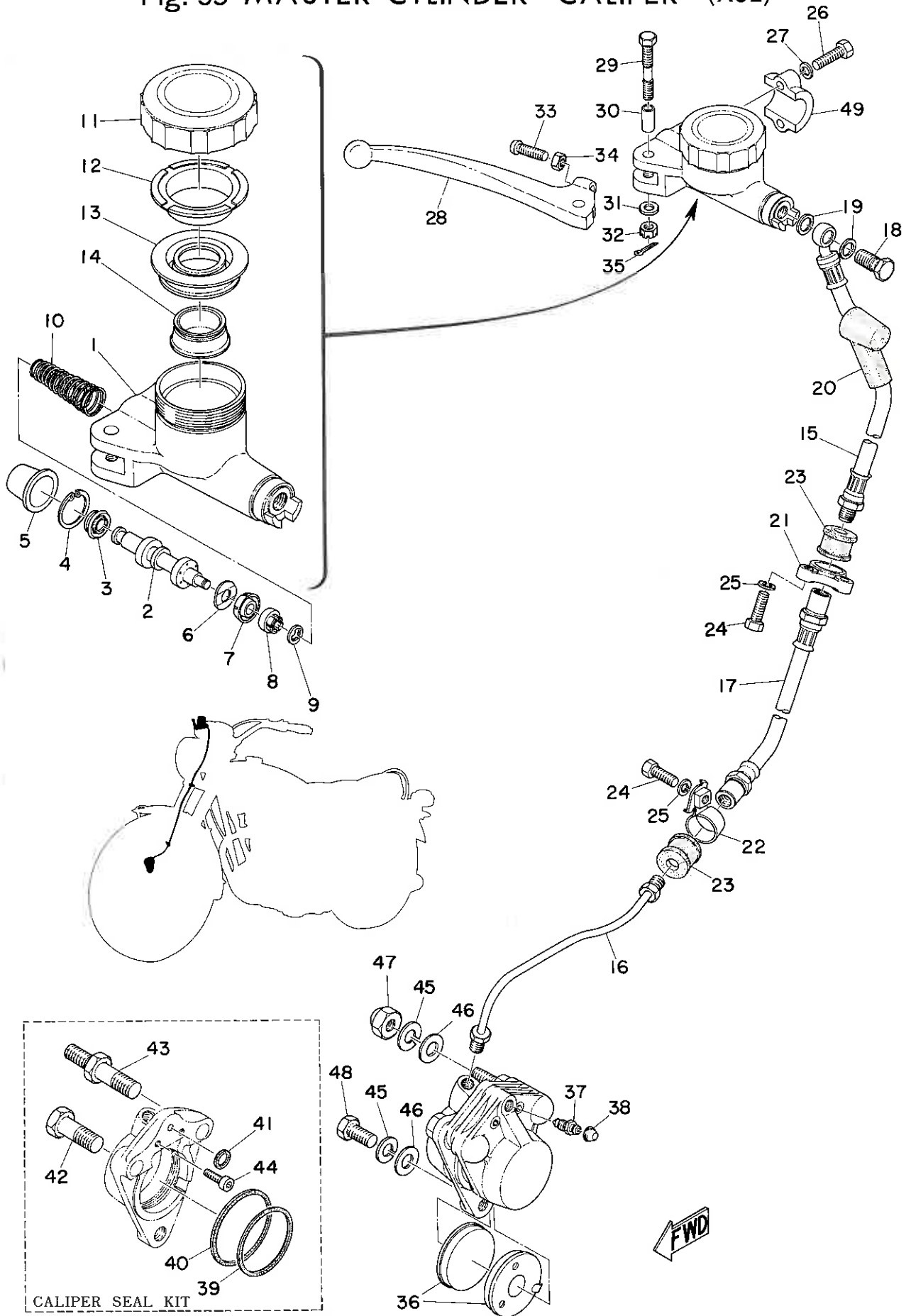
FWD



# SEAT

Ref. No.	Parts No.	Description	Q'ty			Applicable Machine No.	Remarks
			XS1	XS1F	XS2		
34- 1	256-24730-10	DOUBLE SEAT ASS'Y	1	1			
	306-24730-10	DOUBLE SEAT ASS'Y			1		
34- 2	256-24728-00-33	BRACKET, seat 1	1	1	1		
34- 3	256-24738-00-33	BRACKET, seat 2	1	1	1		
34- 4	256-24748-00-33	BRACKET, seat 3	1	1	1		
34- 5	91201-06012	BOLT	6	6	6		
34- 6	92901-06100	WASHER, spring	6	6	6		
34- 7	214-24724-00	DAMPER, seat	5	5	5		
34- 8	256-24718-00	BRACKET, seat under	1	1	1		
34- 9	91201-06010	BOLT	1	1	1		
34-10	92901-06100	WASHER, spring	1	1	1		
34-11	92901-06200	WASHER, plain	1	1	1		
34-12	214-24727-00	PIN, seat fitting	1	1	1		
34-13	214-24758-00	SPRING, seat	1	1	1		
34-14	214-24776-00	LEVER, seat	1	1	1		
34-15	256-24754-00	HOOK	1	1	1		
34-16	91501-06010	PIN, clevis	1	1	1		
34-17	156-83525-00	CLIP	1	1	1		
34-18	98803-08100	NUT	1	1	1		
34-19	92901-08200	WASHER, plain	3	3	3		
34-20	92901-08100	WASHER, spring	3	3	3		
34-21	256-24734-00	HANDLE, seat	1	1	1		
34-22	97201-08018	BOLT	2	2	2		

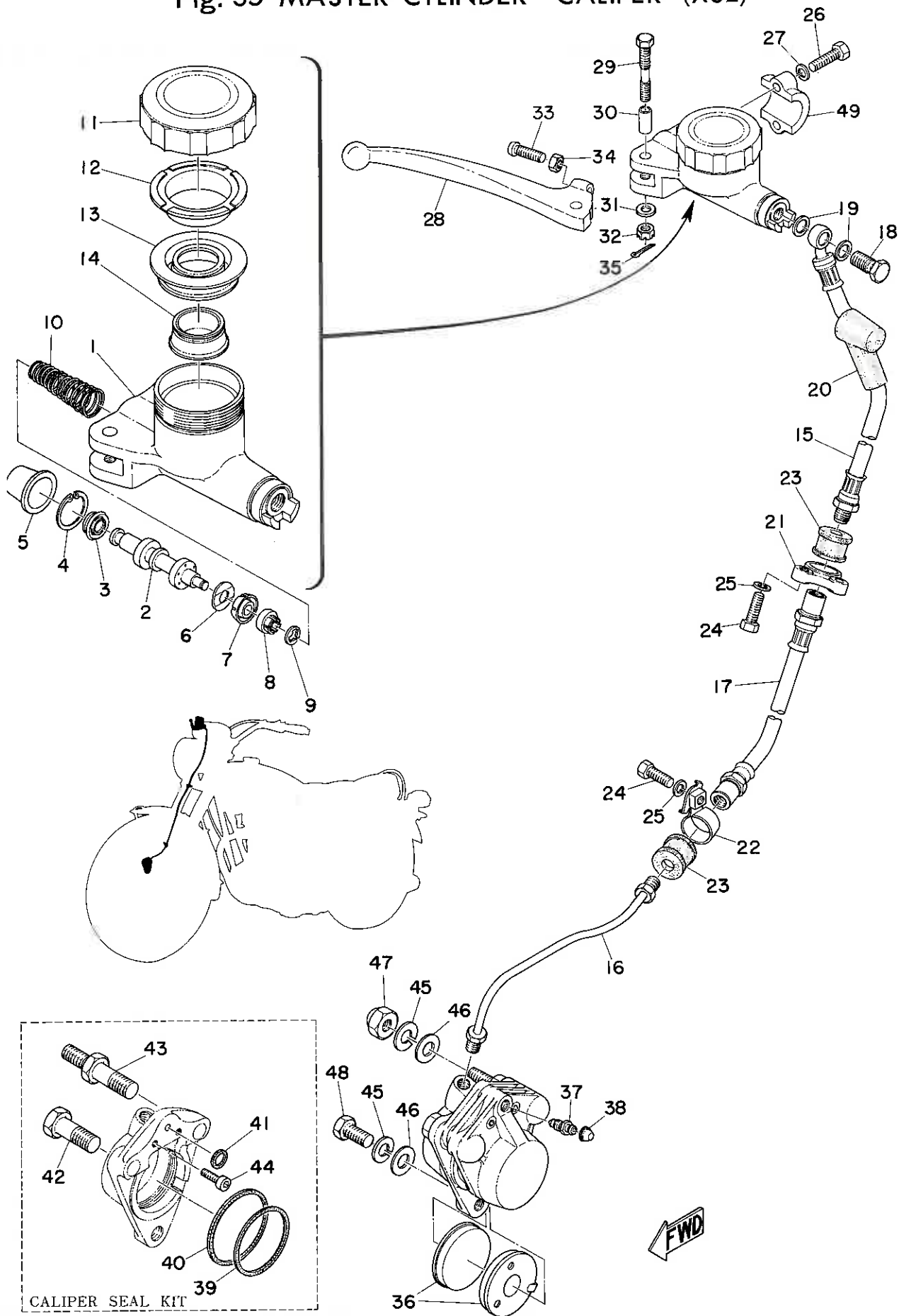
Fig. 35 MASTER CYLINDER · CALIPER (XS2)



## MASTER CYLINDER · CALIPER (XS2)

Ref. No.	Parts No.	Description	Q'ty			Applicable Machine No.	Remarks
			XS1	XS1F	XS2		
35- 0-1	306-25850-00-98	MASTER CYLINDER COMP.			1		
35- 1	306-25851-00	. BODY, master cylinder			1		Not for sale
35- 0-2	306-20000-10	. CYLINDER KIT			1		
35- 2	306-25856-00	. PISTON, master cylinder 2			1		Not for sale
35- 3	306-25859-00	. . CUP, cylinder 2			1		Not for sale
35- 4	93420-18027	. RING, snap			1		Not for sale
35- 5	306-25862-00	. BOOT, master cylinder			1		Not for sale
35- 6	306-25857-00	. SPACER, piston cup			1		Not for sale
35- 7	306-25858-00	. CUP, cylinder 1			1		Not for sale
35- 8	306-25865-00	. RETAINER, spring			1		Not for sale
35- 9	93430-04002	. E-RING			1		Not for sale
35-10	306-25863-00	. SPRING, conical			1		Not for sale
35- 0-3	306-20000-20	. CUP KIT			1		
35- 3	306-25859-00	. . CUP, cylinder 2			1		Not for sale
35- 4	93420-18027	. RING, snap			1		Not for sale
35- 5	306-25862-00	. BOOT, master cylinder			1		Not for sale
35- 6	306-25857-00	. . SPACER, piston cup			1		Not for sale
35- 7	306-25858-00	. . CUP, cylinder 1			1		Not for sale
35- 9	93430-04002	. . E-RING			1		Not for sale
35- 0-4	306-20000-30	. RESERVER KIT			1		
35-11	306-25852-00	. CAP, reserver			1		Not for sale
35-12	306-25855-00	. BUSHING, diaphragm			1		Not for sale
35-13	306-25854-00	. . DIAPHRAGM, reserver			1		Not for sale
35-14	306-25853-00	. . FLOAT, reserver			1		Not for sale

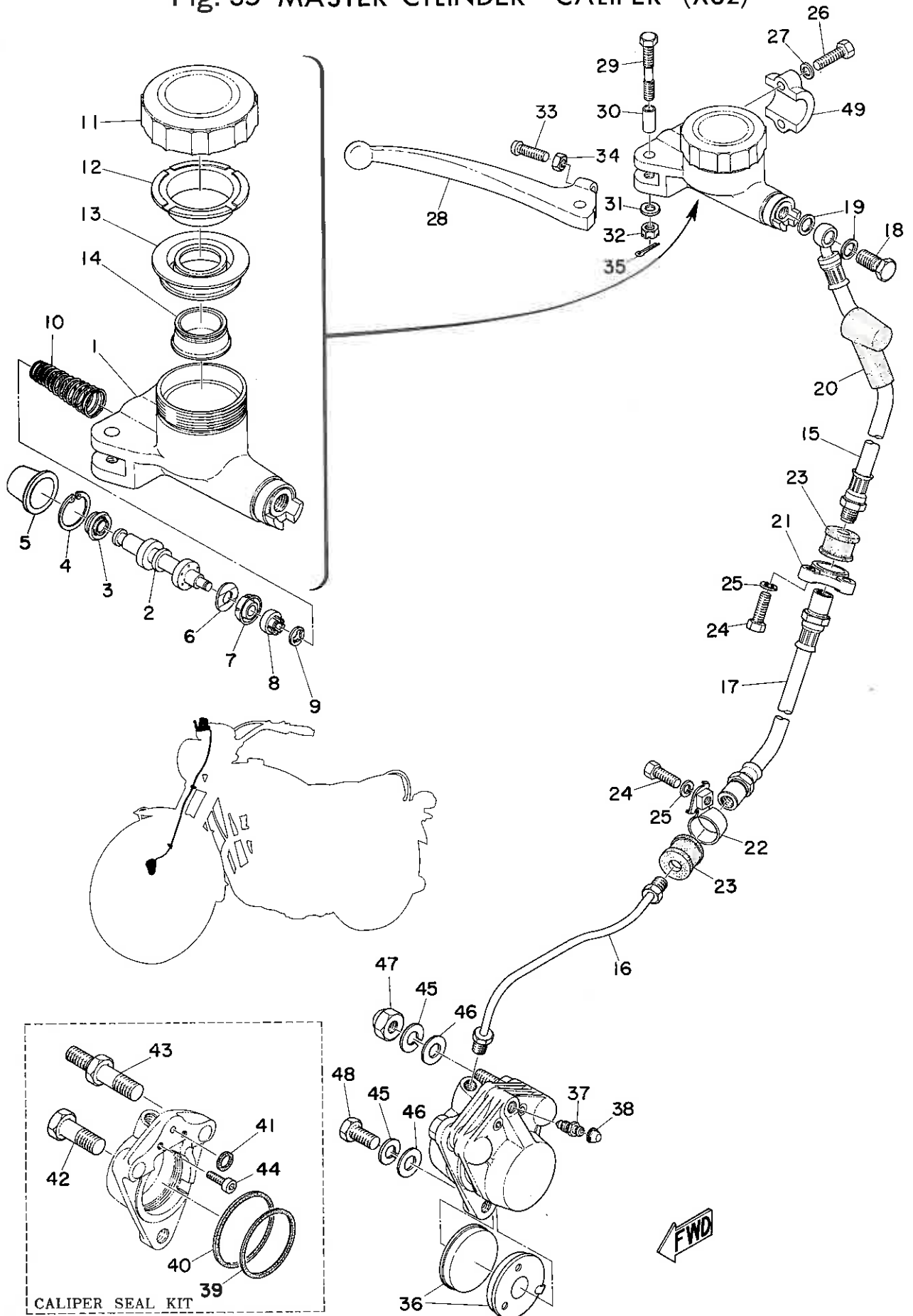
Fig. 35 MASTER CYLINDER · CALIPER (XS2)



## MASTER CYLINDER · CALIPER (XS2)

Ref. No.	Parts No.	Description	Q'ty			Applicable Machine No.	Remarks
			XS1	XS1F	XS2		
35-15	306-25872-00	HOSE, brake 1 .....			1		
	306-25872-20	HOSE, brake 1 .....			1	for Bar Handle	
35-16	306-25871-00	PIPE, brake .....			1		
35-17	306-25873-00	HOSE, brake 2 .....			1		
35-18	306-25877-00	BOLT, oil .....			1		
35-19	306-25878-00	WASHER, oil bolt (10.2-14-1.0) .....			2		
35-20	306-25862-00	BOOT, master cylinder .....			1		
35-21	306-25875-00	HOLDER, brake hose 1 .....			1		
35-22	306-25876-00	HOLDER, brake hose 2 .....			1		
35-23	306-25881-00	RUBBER, brake hose .....			2		
35-24	91201-06020	BOLT .....			3		
35-25	92901-06100	WASHER, spring .....			3		
35-26	91101-06025	BOLT .....			2		
35-27	92901-06100	WASHER, spring .....			2		
35-28	306-83922-00	LEVER, right .....			1		
35-29	306-83925-00	SCREW, lever fitting .....			1		
35-30	306-83923-00	COLLAR, lever .....			1		
35-31	92901-05200	WASHER, plain .....			1		
35-32	98801-05500	NUT, slotted .....			1		
35-33	306-83928-00	SCREW, adjusting .....			1		
35-34	98801-06300	NUT .....			1		
35-35	91401-12015	PIN, cotter .....			1		
35- 0-5	306-25810-00-98	CALIPER ASS'Y .....			1		

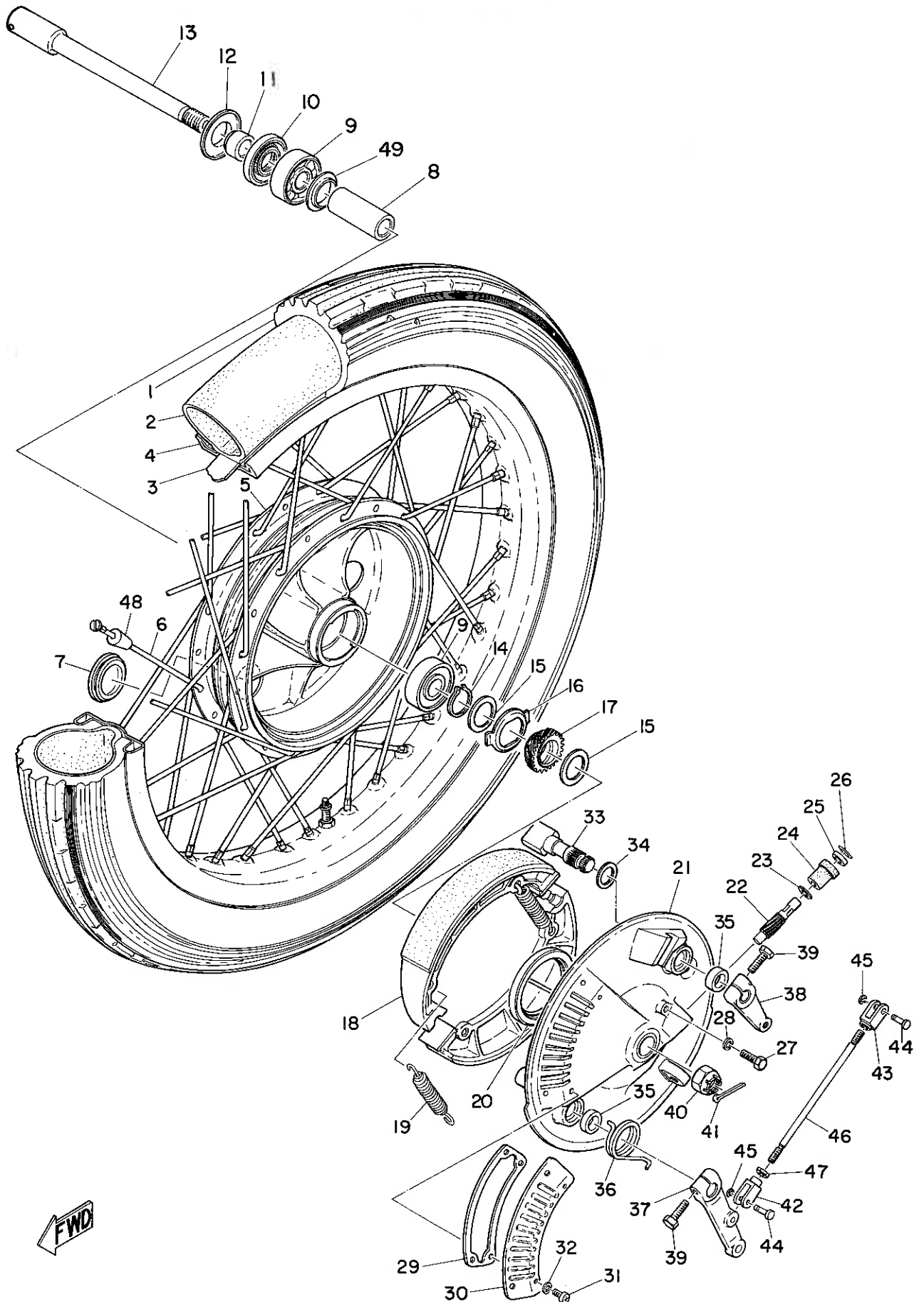
Fig. 35 MASTER CYLINDER · CALIPER (XS2)



# MASTER CYLINDER · CALIPER (XS2)

Ref. No.	Parts No.	Description	Q'ty			Applicable Machine No.	Remarks
			XS1	XS1F	XS2		
35-36	306-25811-00	. PAD .....			2		
35-37	306-25824-00	. SCREW, bleed .....			1		
35-38	306-25825-01	. CAP .....			2		
35- 0-6	306-20000-50	. CALIPER SEAL KIT .....			1		
35-39	306-25816-00	. SEAL, dust .....			2	Not for sale	
35-40	306-25815-00	. . SEAL, piston .....			2	Not for sale	
35-41	306-25817-00	. . SEAL, caliper .....			1	Not for sale	
35-42	306-25821-00	. . BOLT, bridge 1 .....			1	Not for sale	
35-43	306-25822-00	. . BOLT, bridge 2 .....			1	Not for sale	
35-44	306-25826-00	. . BOLT, bridge 3 .....			2	Not for sale	
35-45	92901-10100	WASHER, spring .....			2		
35-46	92901-10200	WASHER, plain .....			2		
35-47	92803-10700	NUT, crown .....			1		
35-48	306-25818-00	BOLT, fitting .....			1		
35-49	306-25867-00-98	BRACKET, master .....			1	Frosting Black	

Fig. 36 FRONT WHEEL (XS1 · XS1F)

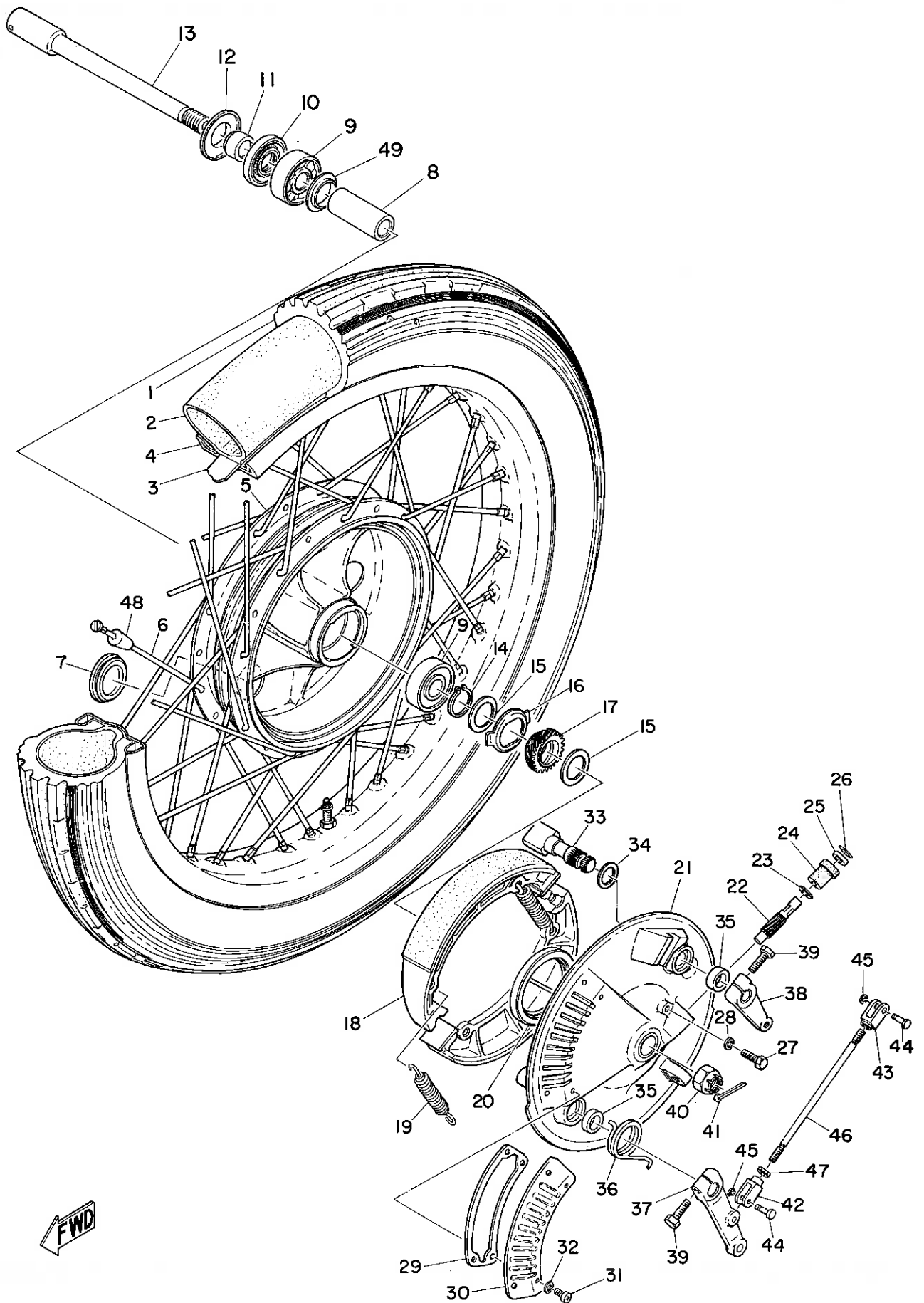




## FRONT WHEEL (XS1 · XS1F)

Ref. No.	Parts No.	Description	Q'ty		Applicable Machine No.	Remarks
			XS1	XS1F XS2:		
36- 1	94135-19081	TIRE (3.50-19-4PR) . . . . .	1	1		
36- 2	94235-19034	TUBE (3.50-19) . . . . .	1	1		
36- 3	94335-19026	BAND, rim (3.50-19) . . . . .	1	1		
36- 4	94418-19048	RIM (1.85B-19) . . . . .	1	1		
36- 5	256-25111-00	HUB . . . . .	1	1		
36- 6	256-25104-00	SPOKE SET . . . . .	1s	1s		
36- 7	256-25139-00	PLUG, blind . . . . .	6	6		
36- 8	152-25117-00	SPACER, bearing . . . . .	1	1		
36- 9	93306-30304	BEARING (6303Z) . . . . .	2	2		
36-10	93102-25044	OIL SEAL (SD-25-47-7) . . . . .	1	1		
36-11	256-25183-00	COLLAR, wheel shaft . . . . .	1	1		
36-12	256-25118-00	COVER, hub dust . . . . .	1	1		
36-13	256-25181-00	SHAFT, wheel . . . . .	1	1		
36-14	93410-25010	CIRCLIP (S-25) . . . . .	1	1		
36-15	152-17226-00	WASHER, thrust 2 (25-32-1.0) . . . . .	2	2		
36-16	256-25149-00	CLUTCH, meter . . . . .	1	1		
36-17	256-25135-00	GEAR, drive . . . . .	1	1		
36-18	256-25130-00	BRAKE SHOE COMP. . . . .	2	2		
36-19	246-25333-00	SPRING, shoe return . . . . .	2	2		
36-20	93102-60066	OIL SEAL (SD-60-72-7) . . . . .	1	1		
36-21	256-25121-00	PLATE, brake shoe . . . . .	1	1		
36-22	214-25138-00	GEAR, meter . . . . .	1	1		
36-23	183-25146-00	WASHER, thrust 1 (7-12-0.8) . . . . .	1	1		
36-24	109-25136-00	BUSHING . . . . .	1	1		

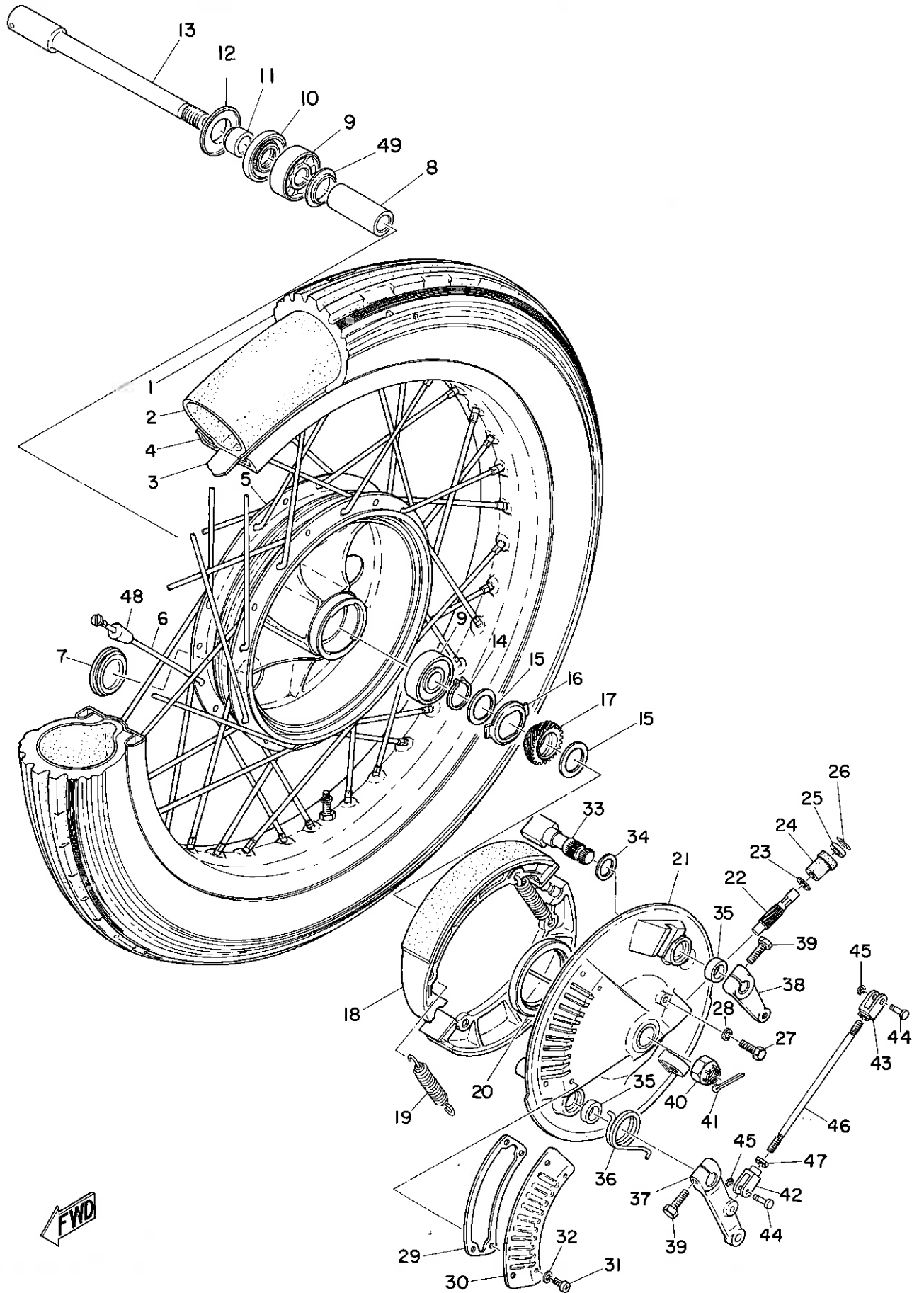
Fig. 36 FRONT WHEEL (XS1 · XS1F)



# FRONT WHEEL (XS1 · XS1F)

Ref. No.	Parts No.	Description	Q'ty			Applicable Machine No.	Remarks
			XS1	XS1F	XS2		
36-25	93104-07003	OIL SEAL (SO-7-14-4)	1	1			
36-26	93210-14104	O-RING (2.4-13.8)	1	1			
36-27	91201-06020	BOLT	1	1			
36-28	92901-06100	WASHER, spring	1	1			
36-29	256-25129-00	SEAL, plate dust	1	1			
36-30	256-25127-00	COVER, plate dust	1	1			
36-31	98503-04010	SCREW, pan head	4	4			
36-32	92901-04100	WASHER, spring	4	4			
36-33	256-25151-00	CAM SHAFT	2	2			
36-34	148-25353-00	SHIM, cam shaft (14.2-24-0.5)	2	2			
36-35	148-25359-00	SEAL, cam shaft	2	2			
36-36	256-25157-00	SPRING, lever return	1	1			
36-37	256-25155-00	LEVER, cam shaft 1	1	1			
36-38	256-25156-00	LEVER, cam shaft 2	1	1			
36-39	91203-06020	BOLT	2	2			
36-40	214-25182-01	NUT, shaft	1	1			
36-41	91401-30025	PIN, cotter	1	1			
36-42	152-25163-00	END, rod 1	1	1			
36-43	152-25164-00	END, rod 2	1	1			
36-44	152-25165-00	PIN, rod end	2	2			
36-45	93430-04002	CIRCLIP (E-4)	2	2			

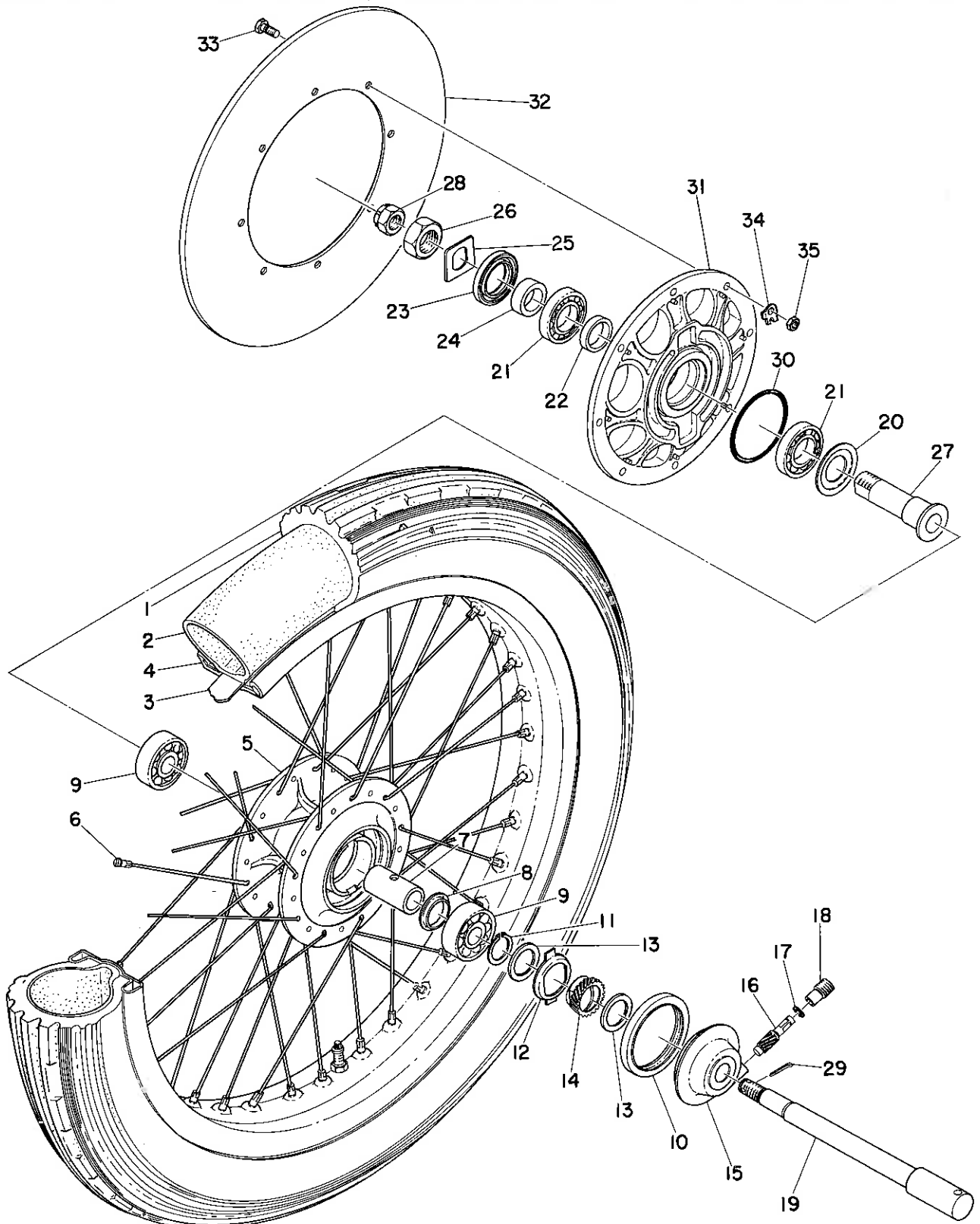
Fig. 36 FRONT WHEEL (XS1 · XS1F)



## FRONT WHEEL (XS1 · XS1F)

Ref. No.	Parts No.	Description	Q'ty			Applicable Machine No.	Remarks
			XS1	XS1F	XS2		
36-46	256-25161-00	ROD, connecting .....	1	1			
36-47	98803-06300	NUT .....	1	1			
36-48	156-25398-00	BALANCER, wheel .....	U.R	U.R			
36-49	152-25115-00	FLANGE, spacer .....	1	1			

Fig. 37 FRONT WHEEL (XS2)

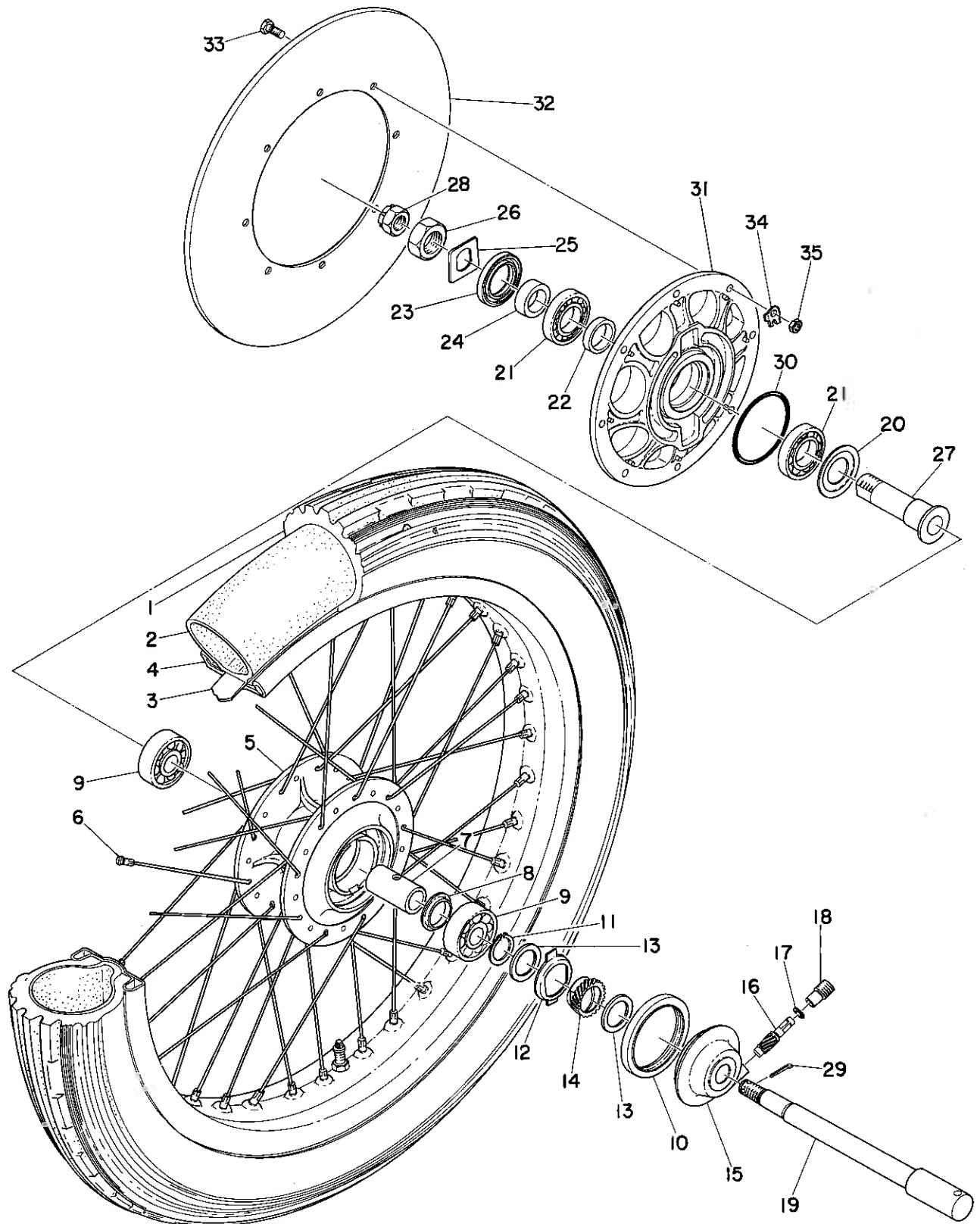


FWD

## FRONT WHEEL (XS2)

Ref. No.	Parts No.	Description	Q'ty			Applicable Machine No.	Remarks
			XS1	XS1F	XS2		
37- 1	94135-19081	TIRE, front (3.50-19-4PR)			1		
37- 2	94235-19034	TUBE (3.50-19)			1		
37- 3	94335-19026	BAND, rim (3.50-19)			1		
37- 4	94418-19059	RIM (1.85B-19)			1		
37- 5	306-25111-00	HUB, front			1		
37- 6	306-25104-00	SPOKE SET			1s		
37- 7	306-25117-00	SPACER, bearing			1		
37- 8	152-25115-00	FLANGE, spacer			1		
37- 9	93306-30304	BEARING (6303Z)			2		
37-10	93102-60066	OIL SEAL (SD-60-72-7)			1		
37-11	93410-25010	CIRCLIP (S-25)			1		
37-12	256-25149-00	CLUTCH, meter			1		
37-13	152-17226-00	WASHER, thrust (25-32-1.6)			2		
37-14	306-25135-00	GEAR, drive			1		
37-15	306-25191-00	HOUSING, gear unit			1		
37-16	306-25138-00	GEAR, meter			1		
37-17	102-18416-00	WASHER (6.2-9.5-0.8)			1		
37-18	306-25136-00	BUSHING			1		
37-19	306-25181-00	SHAFT, wheel			1		
37-20	306-25836-00	COVER, dust			1		
37-21	93316-00501	BEARING (16005)			2		
37-22	306-25317-00	SPACER, bearing (25-32-6)			1		
37-23	93106-30008	OIL SEAL (DD-30-47-5)			1		
37-24	306-25177-00	COLLAR, shaft (22-30-10)			1		

Fig. 37 FRONT WHEEL (XS2)



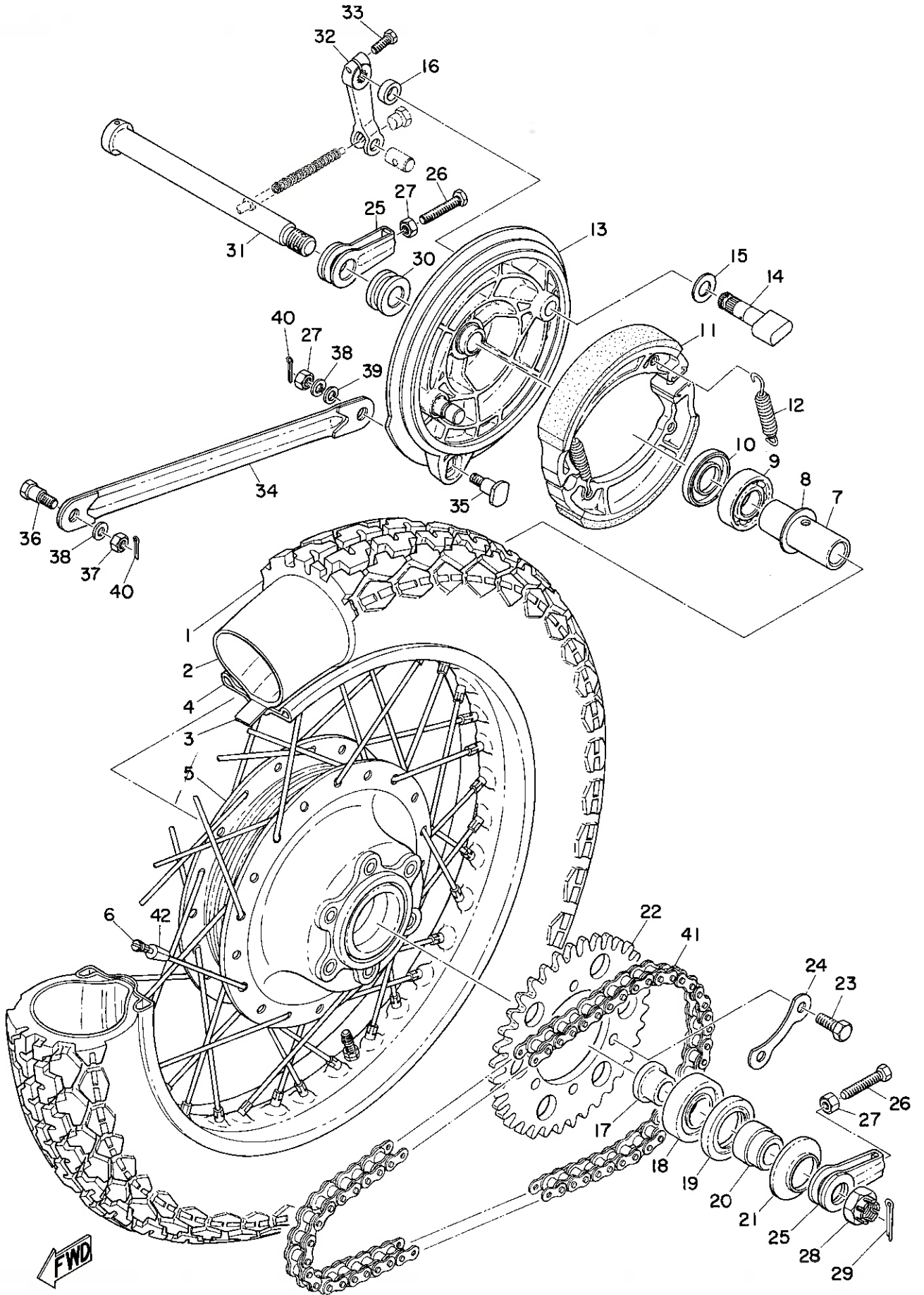
FWD



## FRONT WHEEL (XS2)

Ref. No.	Parts No.	Description	Q'ty			Applicable Machine No.	Remarks
			XS1	XS1F	XS2		
37-25	306-25384-00	WASHER, special			1		
37-26	168-25385-00	NUT, shaft			1		
37-27	306-25835-00	SHAFT, disc			1		
37-28	214-25182-01	NUT, shaft			1		
37-29	91401-30028	PIN, cotter			1		
37-30	93210-56052	O-RING (3.0-56.2)			1		
37-31	306-25832-00	BRACKET, disc			1		
37-32	306-25831-00	DISC, brake			1		
37-33	306-25833-00	BOLT, fitting			8		
37-34	306-25834-00	WASHER, lock			8		
37-35	98801-06100	NUT			8		

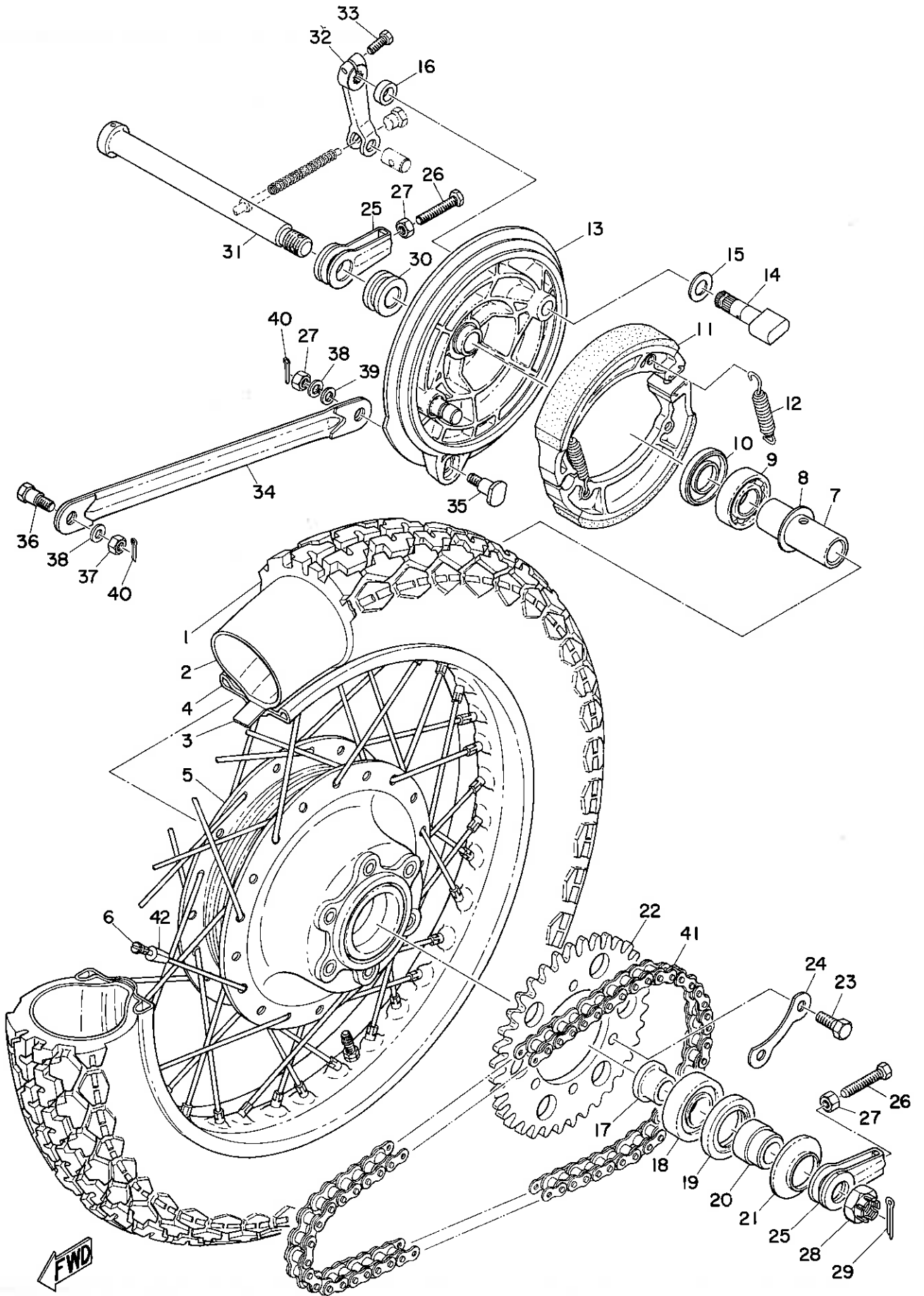
# Fig. 38 REAR WHEEL



# REAR WHEEL

Ref. No.	Parts No.	Description	Q'ty			Applicable Machine No.	Remarks
			XS1	XS1F	XS2		
38- 1	94140-18082	TIRE (4.00-18-4PR) .....	1	1	1		
38- 2	94240-18024	TUBE (4.00-18) .....	1	1	1		
38- 3	94340-18022	BAND, rim (4.00-18) .....	1	1	1		
38- 4	94421-18049	RIM (2.15B-18) .....	1	1	1		
38- 5	256-25311-00	HUB .....	1	1	1		
38- 6	256-25304-00	SPOKE SET .....	1s	1s	1s		
38- 7	256-25317-00	SPACER, bearing .....	1	1	1		
38- 8	256-25315-00	FLANGE, spacer .....	1	1	1		
38- 9	93306-30404	BEARING (6304Z) .....	1	1	1		
38-10	93104-27026	OIL SEAL (SO-27-52-5) .....	1	1	1		
38-11	256-25330-00	BRAKE SHOE COMP. ....	2	2	2		
38-12	246-25333-00	SPRING, return .....	2	2	2		
38-13	256-25321-00	PLATE, brake shoe .....	1	1	1		
38-14	168-25351-00	CAM SHAFT .....	1	1	1		
38-15	148-25353-00	SHIM, cam shaft (14.2-24-0.5) 1	1	1	1		
38-16	148-25359-00	SEAL, cam shaft .....	1	1	1		
38-17	256-25376-00	COLLAR .....	1	1	1		
38-18	93306-30507	BEARING (6305Z) .....	1	1	1		
38-19	93102-35065	OIL SEAL (SD-35-62-9) ....	1	1	1		
38-20	256-25377-00	COLLAR, shaft .....	1	1	1		
38-21	256-25367-00	COVER, dust .....	1	1	1		
38-22	256-25434-10	GEAR, sprocket wheel (34T) 1	1	1	1		
38-23	146-25411-00	BOLT, fitting .....	6	6	6		
38-24	256-25412-00	WASHER, lock .....	3	3	3		

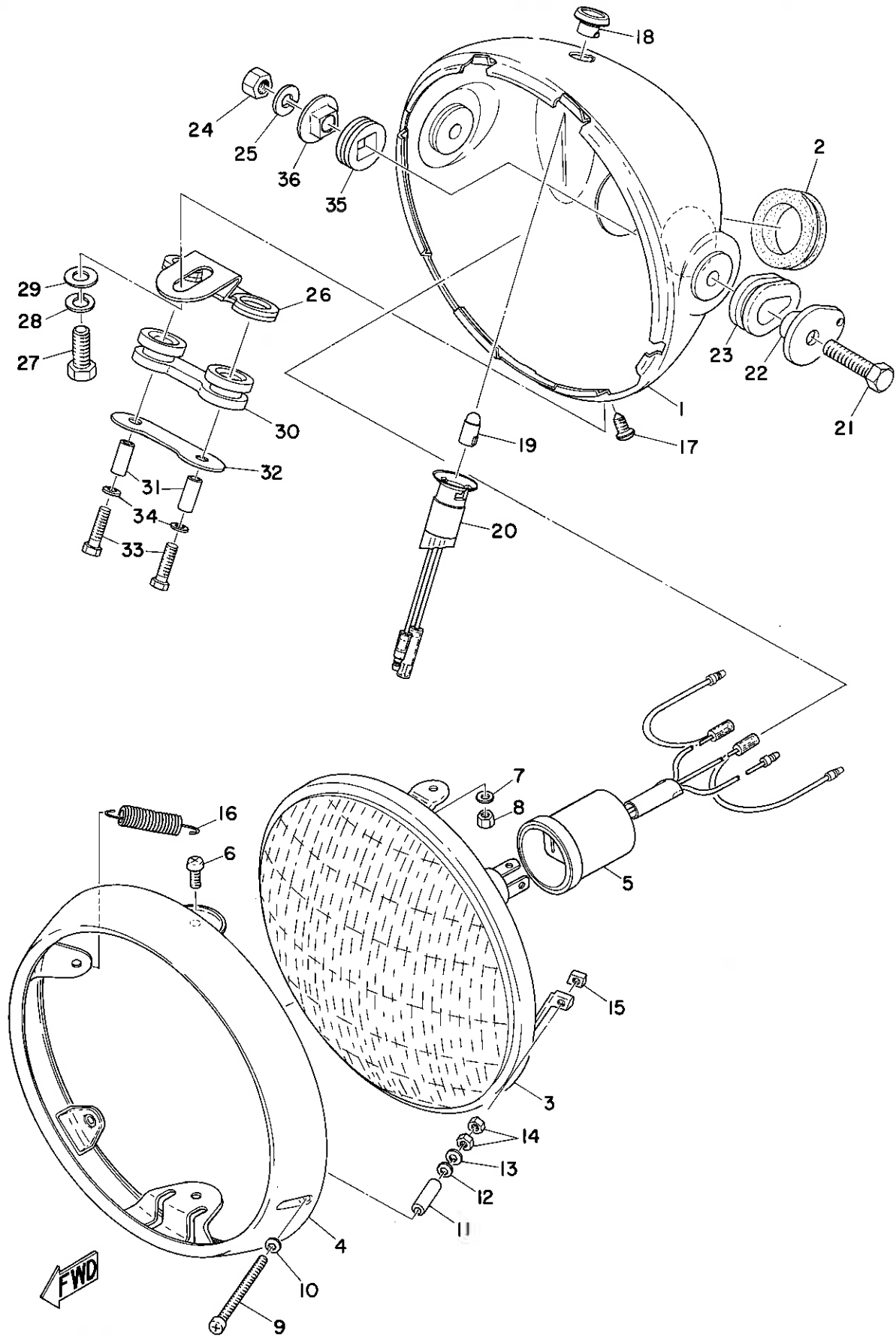
Fig. 38 REAR WHEEL



# REAR WHEEL

Ref. No.	Parts No.	Description	Q'ty			Applicable Machine No.	Remarks
			XS1	XS1F	XS2		
38-25	256-25388-00	PULLER, chain	2	2	2		
38-26	168-25379-00	BOLT, chain puller	2	2	2		
38-27	98801-08300	NUT	3	3	3		
38-28	256-25382-00	NUT, shaft	1	1	1		
38-29	91401-40035	PIN, cotter	1	1	1		
38-30	256-25383-00	COLLAR, wheel shaft	1	1	1		
38-31	256-25381-00	SHAFT, wheel	1	1	1		
38-32	214-25355-00	LEVER, cam shaft	1	1	1		
38-33	91203-06020	BOLT	1	1	1		
38-34	256-25371-00	BAR, tension	1	1	1		
38-35	168-25378-00	BOLT, tension bar 2	1	1	1		
38-36	168-25373-00	BOLT, tension bar	1	1	1		
38-37	98801-08100	NUT	1	1	1		
38-38	92901-08100	WASHER, spring	1	1	1		
38-39	92901-08200	WASHER, plain	2	2	2		
38-40	91401-20015	PIN, cotter	2	2	2		
38-41	94535-30098	CHAIN (530HD-98L)	1	1	1		
38-41-1	94645-30001	. JOINT, chain	1	1	1		
38-42	156-25398-00	BALANCER, wheel	U.R	U.R	U.R		

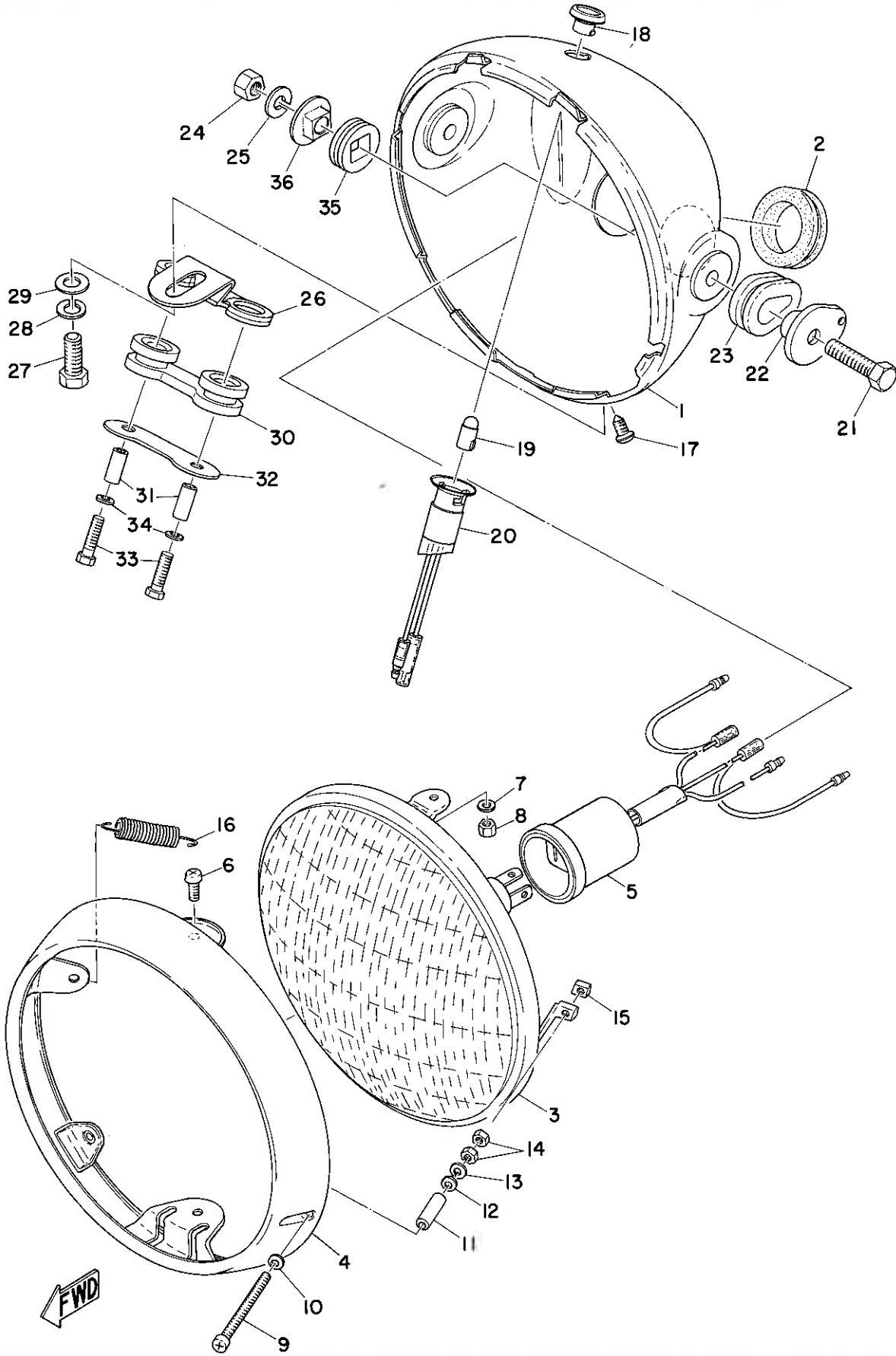
Fig. 39 HEAD LAMP



# HEAD LAMP

Ref. No.	Parts No.	Description	Q'ty			Applicable Machine No.	Remarks
			XS1	XS1F	XS2		
39- 1	256-84330-60-64	BODY ASS'Y .....	1				Candy Green
	256-84330-60-52	BODY ASS'Y .....		1			Candy Orange
	256-84330-60-11	BODY ASS'Y .....			1		Pearl Yellow Gold
39- 2	256-84353-60	. GROMMET .....	2	2	2		
39- 0-1	256-84310-00	HEAD LAMP UNIT ASS'Y ...	1	1	1		
39- 3	256-84320-00	. LENS ASS'Y (12V, 50/40W).	1	1	1		
39- 4	256-84315-60	. RIM, head lamp .....	1	1	1		
39- 5	256-84312-60	. SOCKET .....	1	1	1		
39- 6	98501-05012	. SCREW, pan head .....	2	2	2		
39- 7	92901-05100	. WASHER, spring .....	2	2	2		
39- 8	98801-05200	. NUT .....	2	2	2		
39- 9	256-84331-60	. SCREW, rim adjuster ....	1	1	1		
39-10	233-84127-60	. WASHER, special .....	1	1	1		
39-11	233-84133-60	. SPACER .....	1	1	1		
39-12	92901-04200	. WASHER, plain .....	1	1	1		
39-13	132-84328-60	. SPACER .....	1	1	1		
39-14	802-84126-00	. NUT, lens fitting .....	2	2	2		
39-15	198-84334-60	. NUT, adjust .....	1	1	1		
39-16	214-84135-60	. SPRING, lens adjust .....	1	1	1		
39-17	195-84325-00	. SCREW, rim fitting .....	2	2	2		
39- 0-2	256-84301-61	PILOT LAMP ASS'Y .....	1	1	1		
39-18	256-84357-61	. BODY, pilot lamp .....	1	1	1		
39-19	256-84347-00	. BULB (12V 2W) .....	1	1	1		
39-20	256-84350-61	. SOCKET CORD ASS'Y ....	1	1	1		

Fig. 39 HEAD LAMP

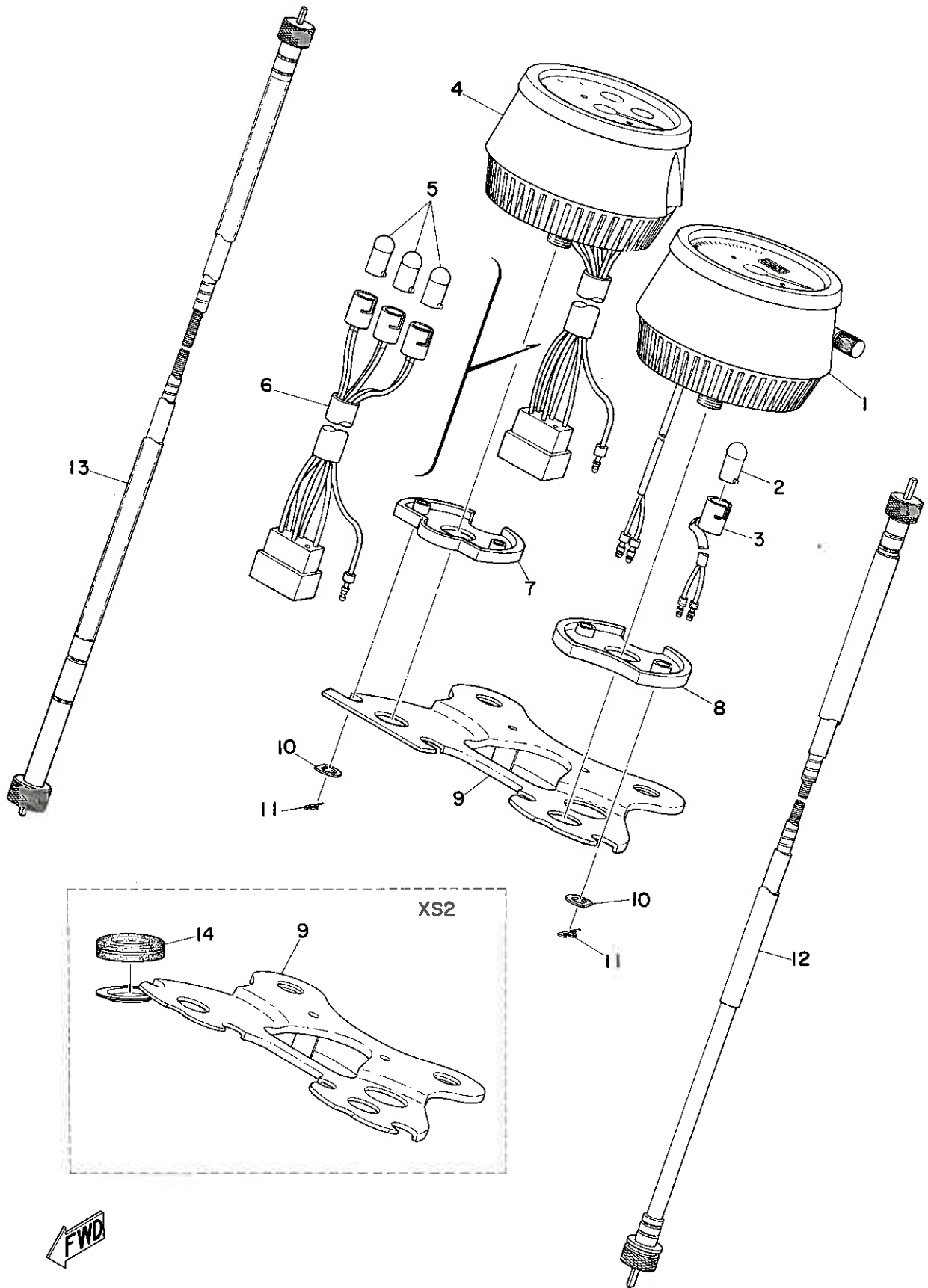




# HEAD LAMP

Ref. No.	Parts No.	Description	Q'ty			Applicable Machine No.	Remarks
			XS1	XS1F	XS2		
39-21	97204-08035	BOLT .....	2				
39-22	256-83316-00	COLLAR, flasher .....	2	2	2		
39-23	256-83321-00	DAMPER, front flasher ...	2	2	2		
39-24	98801-08100	NUT .....	2	2	2		
39-25	92901-08100	WASHER, spring .....	2	2	2		
39-26	256-84318-01	STAY, head lamp .....	1	1	1		
39-27	97201-08015	BOLT .....	1	1	1		
39-28	92901-08100	WASHER, spring .....	1	1	1		
39-29	92901-08200	WASHER, plain .....	1	1	1		
39-30	256-84336-00	DAMPER, head lamp .....	1	1	1		
39-31	256-84757-00	COLLAR, licence bracket ..	2	2	2		
39-32	256-84344-00	WASHER, special .....	1	1			
	156-24187-00	WASHER, special (6.5-26-2)		2	2	017354~	
39-33	91201-06025	BOLT .....	2	2	2		
39-34	92901-06100	WASHER, spring .....	2	2	2		
39-35	256-84345-60	DAMPER, head lamp .....	2	2	2		
39-36	214-84145-60	COLLAR, body fitting .....	2	2	2		

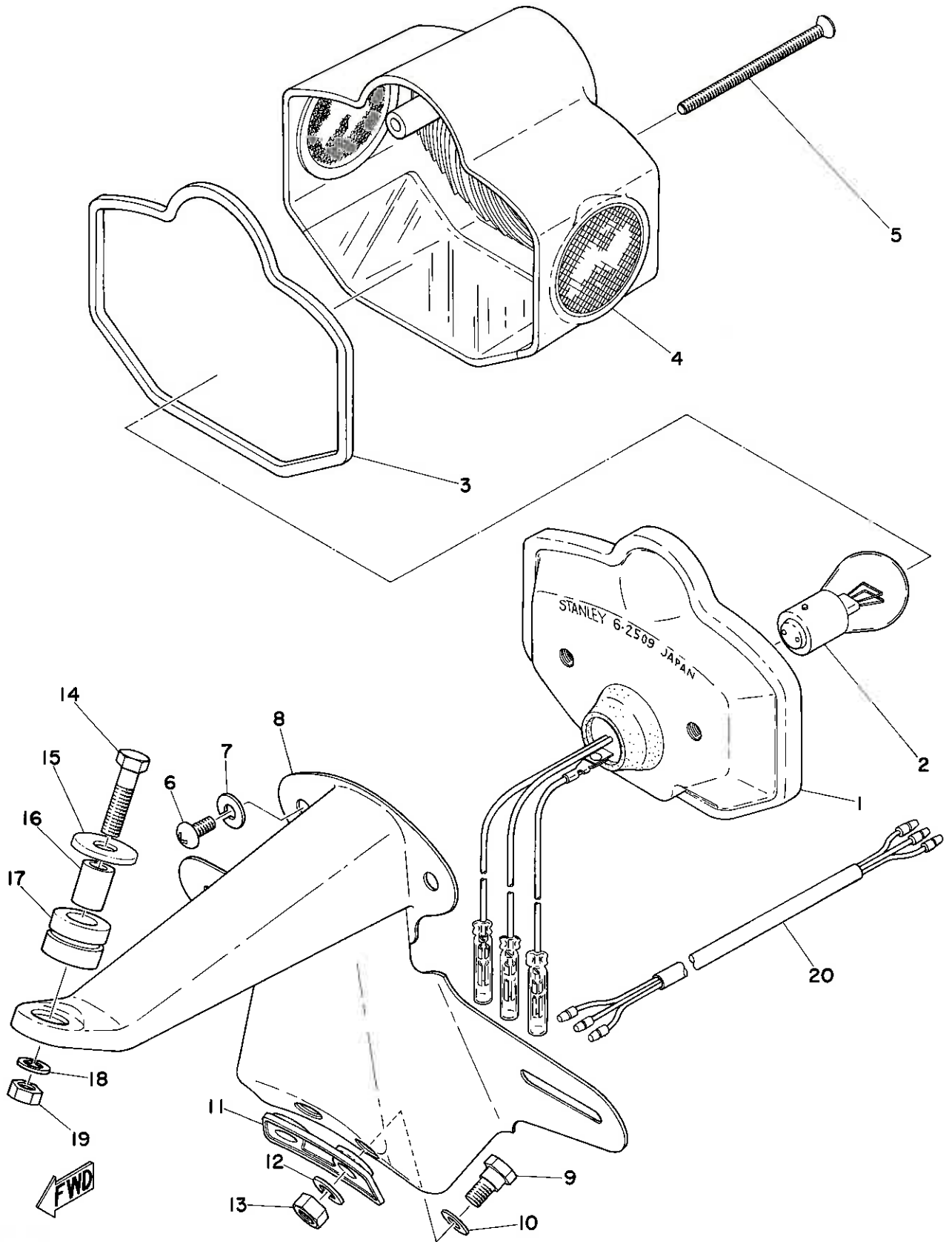
Fig. 40 SPEEDOMETER · TACHOMETER



# SPEEDOMETER · TACHOMETER

Ref. No.	Parts No.	Description	Q'ty			Applicable Machine No.	Remarks
			XS1	XS1F	XS2		
40- 1	256-83570-20	SPEEDOMETER ASS'Y	1	1		Km/h	
	256-83570-40	SPEEDOMETER ASS'Y	1	1		MPH	
	306-83570-20	SPEEDOMETER ASS'Y			1	Km/H	
	306-83570-40	SPEEDOMETER ASS'Y			1	MPH	
40- 2	123-83516-20	. BULT, pilot (12V 3 W)	1	1	1		
40- 3	256-83536-20	. SOCKET, meter	1	1	1		
40- 4	256-83540-00	TACHOMETER ASS'Y	1	1			
	306-83540-00	TACHOMETER ASS'Y			1		
40- 5	123-83516-20	. BULB, pilot (12V 3W)	3	3	3		
40- 6	256-83520-00	. SOCKET ASS'Y	1	1	1		
40- 7	237-83523-00	DAMPER, tachometer	1	1	1		
40- 8	256-83523-00	DAMPER, meter	1	1			
	248-83523-00	DAMPER, meter			1		
40- 9	256-83519-00	BRACKET, meter	1	1			
	256-83519-01-33	BRACKET, meter			1	017354~	
	306-83519-00	BRACKET, meter			1		
40-10	214-83524-00	WASHER, special	4	4	4		
40-11	156-83525-00	CLIP	4	4	4		
40-12	256-83550-00	SPEEDOMETER CABLE ASS'Y	1	1			
	306-83550-00	SPEEDOMETER CABLE ASS'Y			1		
40-13	256-83560-00	TACHOMETER CABLE ASS'Y	1	1	1		
40-14	306-26289-00	GROMMET			1		

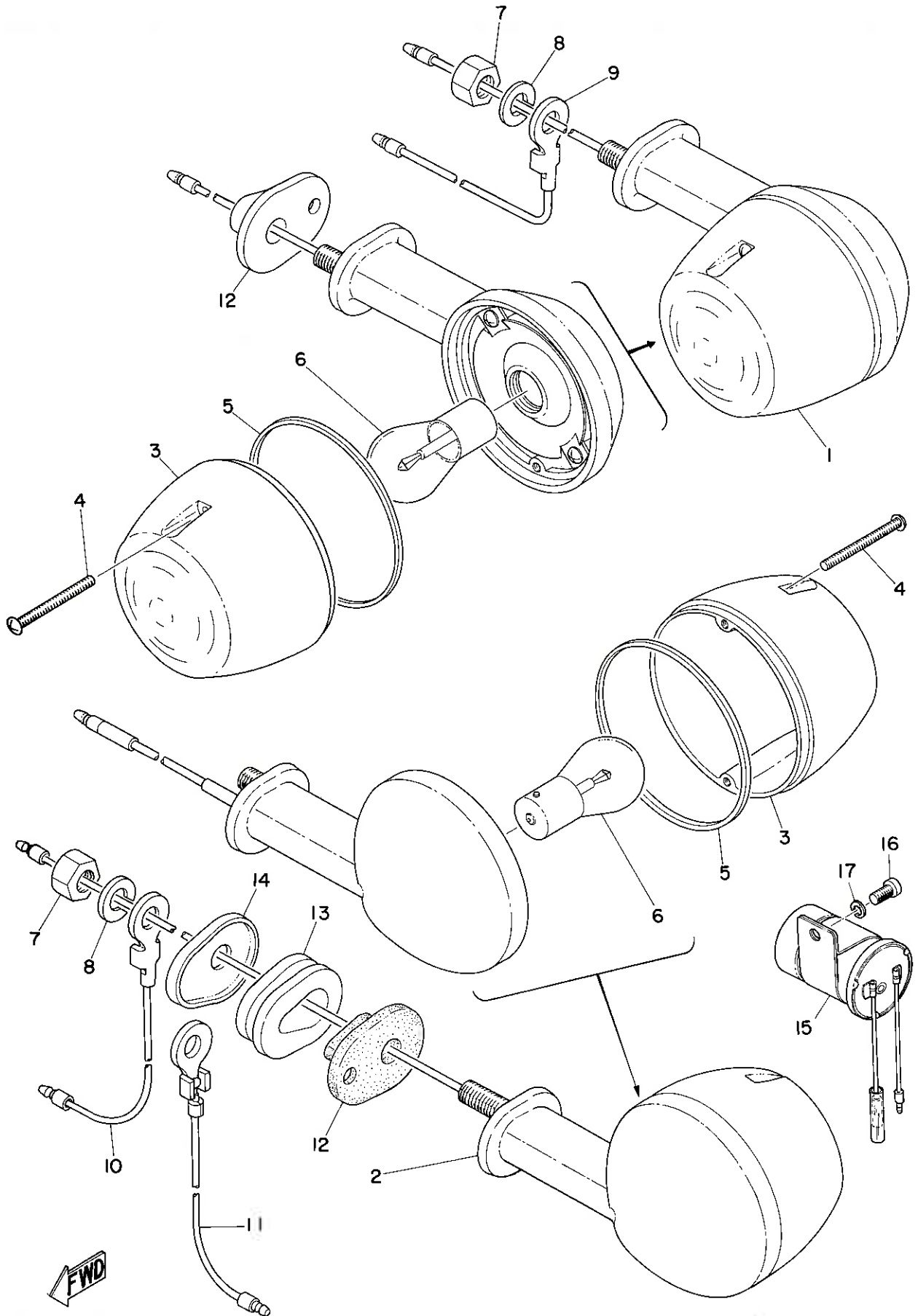
Fig. 41 TAIL LAMP



# TAIL LAMP

Ref. No.	Parts No.	Description	Q'ty			Applicable Machine No.	Remarks
			XS1	XS1F	XS2		
41- 0-1	256-84710-00	TAIL LAMP UNIT ASS'Y	....	1	1		
	306-84710-00	TAIL LAMP UNIT ASS'Y	.....		1		
41- 1	256-84711-60	. BASE, tail lamp	.....	1	1		
	306-84711-00	. BASE, tail lamp	.....		1		
41- 2	137-84714-60	. BULB, tail lamp (12V, 23/8W)	.....	1	1	1	
41- 3	256-84723-60	. GASKET, tail lens	.....	1	1	1	
41- 4	256-84721-00	. LENS, tail lamp	.....	1	1	1	
41- 5	256-84724-60	. SCREW, lens fitting (4-65)	.....	1	1	1	
41- 6	92503-06010	. SCREW, pan head	.....	2	2	2	
41- 7	92901-06100	. WASHER, spring	.....	2	2	2	
41- 8	256-84751-60-35	BRACKET, licence	.....	1	1	1	Silver
41- 9	168-21738-00	BOLT A	.....	2	2	2	
41-10	92901-08200	WASHER, plain	.....	2	2	2	
41-11	214-84553-01	DAMPER	.....	1	1	1	
41-12	92901-06100	WASHER, spring	.....	2	2	2	
41-13	98801-06100	NUT	.....	2	2	2	
41-14	91203-06025	BOLT	.....	1	1	1	
41-15	102-28323-00	WASHER, leg shield	.....	1	1	1	
41-16	256-84757-00	COLLAR, licence bracket	...	1	1	1	
41-17	214-21717-00	DAMPER, battery box	.....	1	1	1	
41-18	92901-06100	WASHER, spring	.....	1	1	1	
41-19	98801-06100	NUT	.....	1	1	1	
41-20	256-84717-60	CORD, tail lamp	.....	1	1	1	

Fig. 42 FLASHER LAMP

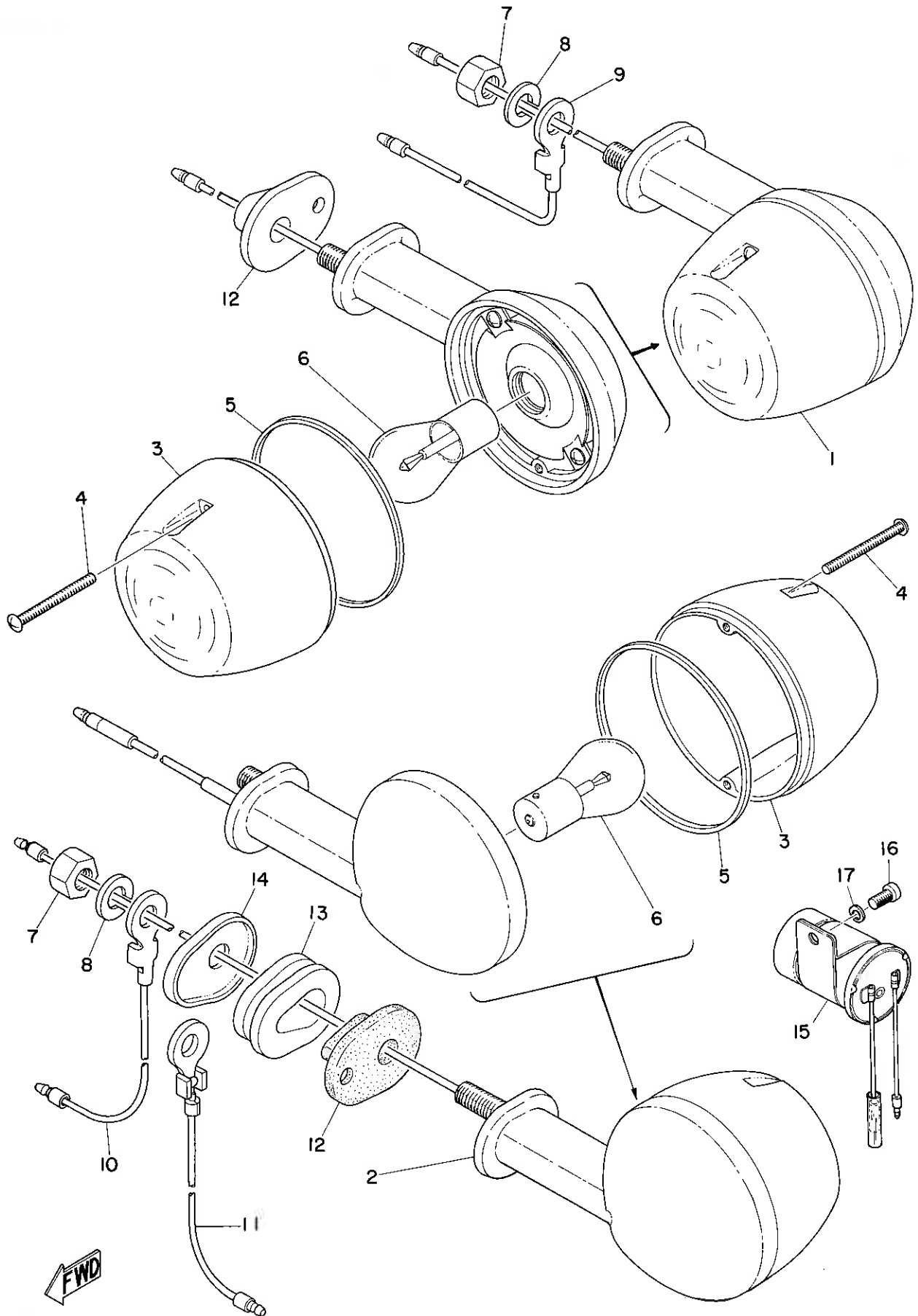


FWD

# FLASHER LAMP

Ref. No.	Parts No.	Description	Q'ty			Applicable Machine No.	Remarks
			XS1	XS1F	XS2		
42- 1	256-83310-70-93	FRONT FLASHER LAMP ASS'Y	2	2			
	306-83310-70-93	FRONT FLASHER LAMP ASS'Y			2		
42- 2	256-83330-70-93	REAR FLASHER LAMP ASS'Y	1	1		Left	
	256-83330-40-93	REAR FLASHER LAMP ASS'Y			1	Left	
	256-83340-70-93	REAR FLASHER LAMP ASS'Y	1	1		Right	
	256-83340-40-93	REAR FLASHER LAMP ASS'Y			1	Right	
42- 3	183-83312-70	. LENS, flasher	4	4	4		
42- 4	183-83333-71	. SCREW, lens fitting	8	8	8		
42- 5	183-83313-70	. GASKET, flasher lens	4	4	4		
42- 6	183-83311-70	. BULB, flasher (12V, 25W)	4	4	4		
42- 7	98802-08100	NUT	4	4	4		
42- 8	92901-08100	WASHER, spring	4	4	4		
42- 9	256-84313-00	WIRE, earth (160L)	2	2			
	256-84313-01	WIRE, earth (210L)			2		
	256-84313-02	WIRE, earth		2	2		
42-10	256-83336-00	CORD, flasher (350L)	1	1		Left	
	256-83336-01	CORD, flasher		1	1	Left	
42-11	256-83346-00	CORD, flasher (550L)	1	1		Right	
	256-83346-01	CORD, flasher		1	1	Right	
42-12	256-83316-00	COLLAR, flasher			4		
42-13	256-83321-00	DAMPER, front flasher			2		
42-14	275-83359-00	WASHER, special			2		
42-15	173-83350-70	FLASHER RELAY ASS'Y	1	1			
	278-83350-70	FLASHER RELAY ASS'Y			1		

Fig.42 FLASHER LAMP

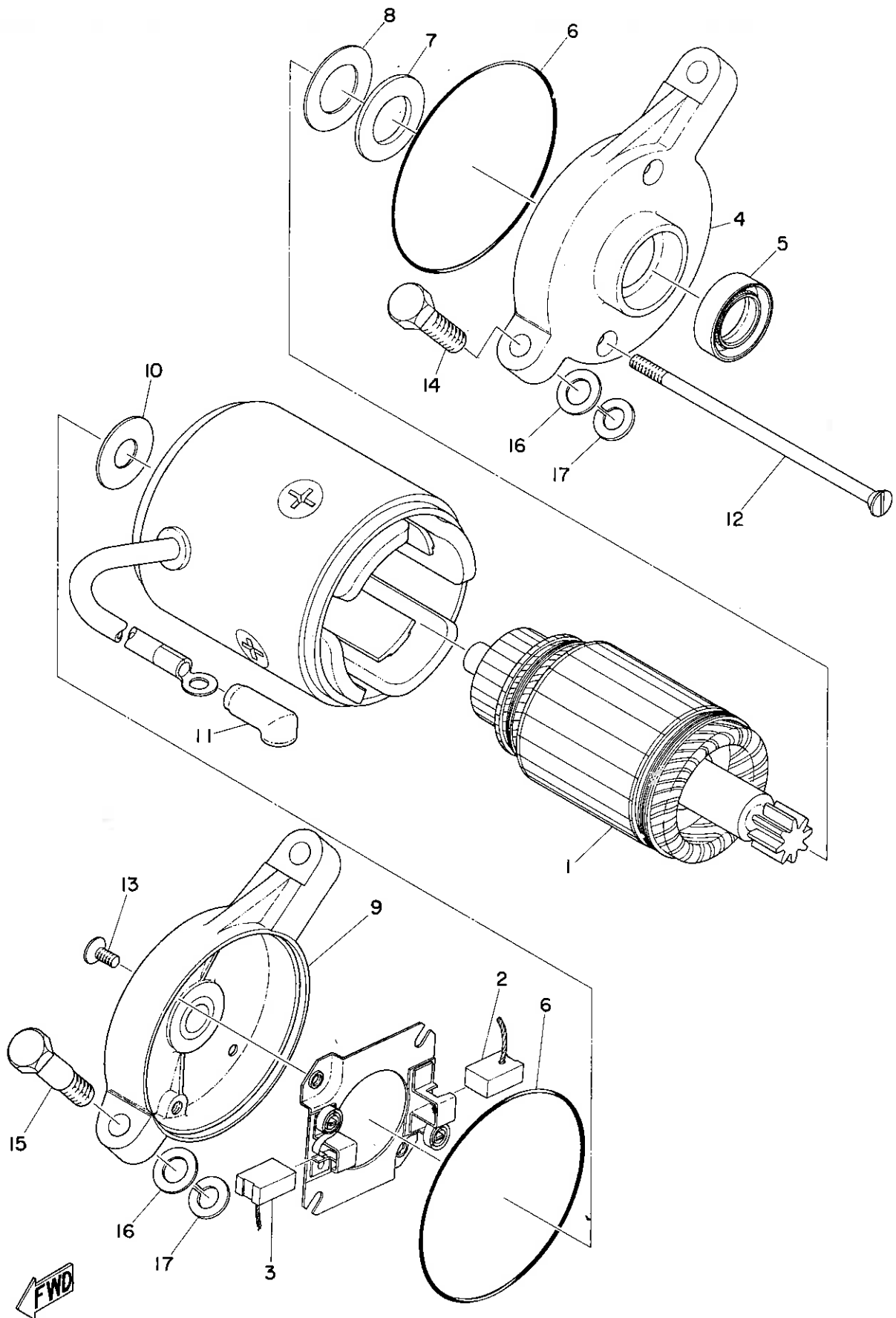




# FLASHER LAMP

Ref. No.	Parts No.	Description	Q'ty			Applicable Machine No.	Remarks
			XS1	XS1F	XS2		
42-16	92501-06010	SCREW, pan head	1	1			
	92501-06012	SCREW, pan head			1		
42-17	92901-06100	WASHER, spring	1	1	1		

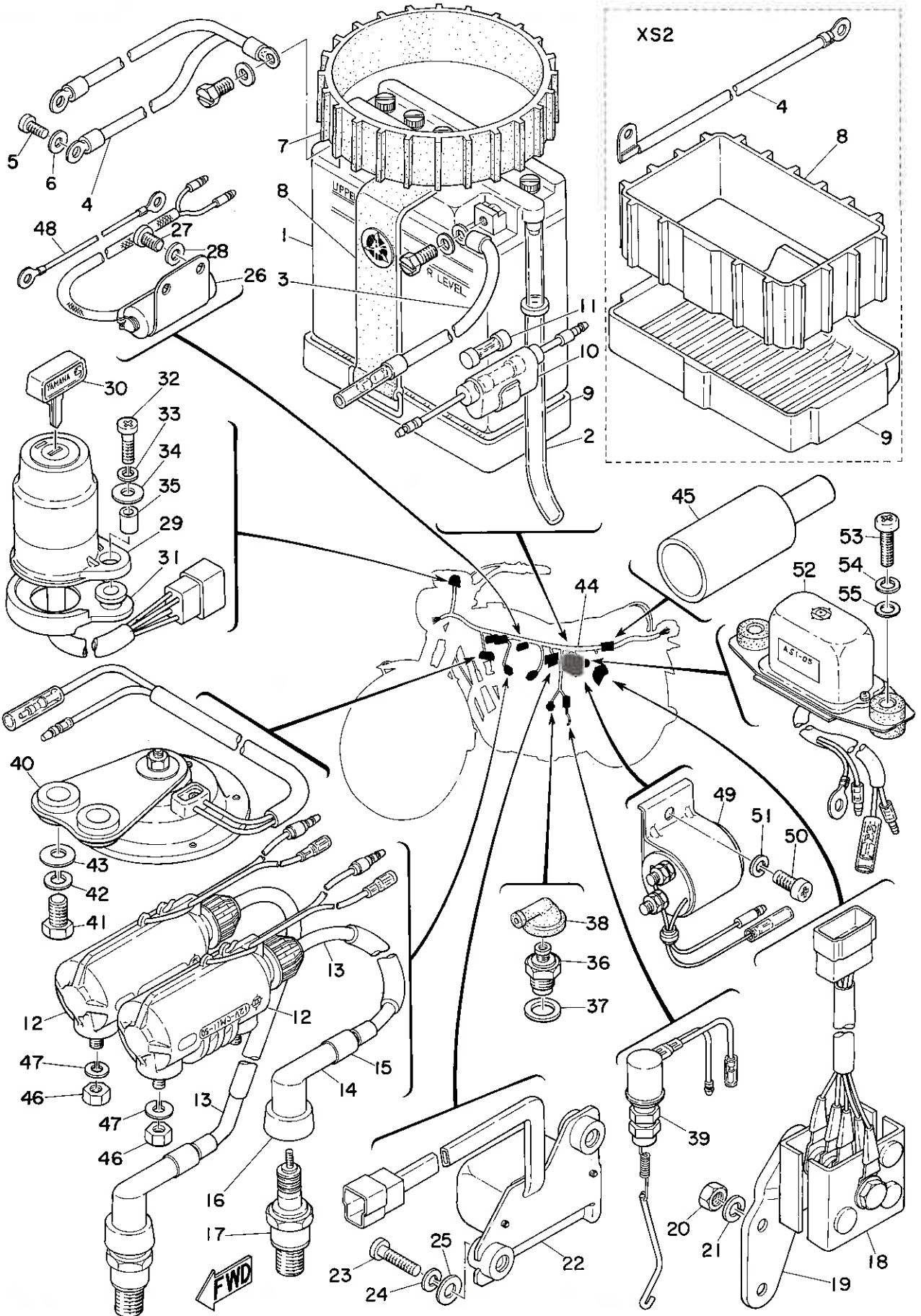
Fig. 43 ELECTRIC MOTOR (XS2)



# ELECTRIC MOTOR (XS2)

Ref. No.	Parts No.	Description	Q'ty			Applicable Machine No.	Remarks
			XS1	XS1F	XS2		
43- 0-1	306-81800-10	ELECTRIC MOTOR ASS'Y			1		
43- 1	306-81850-10	. ARMATURE			1		
43- 2	306-81811-10	. BRUSH 1 (+)			1		
43- 3	306-81812-10	. BRUSH 2 (-)			1		
43- 4	306-81825-10	. COVER, electric motor 1			1		
43- 5	93101-17047	. OIL SEAL			1		
43- 6	306-81827-10	. O-RING			2		
43- 7	306-81893-10	. WASHER, special			1		
43- 8	306-81828-10	. WASHER, thrust 1			1		
43- 9	306-81826-10	. COVER, electric motor 2			1		
43-10	306-81829-10	. WASHER, thrust 2			2		
43-11	306-81862-10	. CAP			1		
43-12	306-81823-10	. SCREW, special			2		
43-13	98701-04010	. SCREW, flat head			2		
43-14	306-15551-00	BOLT, reamer			2		
43-15	97101-08035	BOLT			2		
43-16	92901-08200	WASHER, plain			4		
43-17	92901-08100	WASHER, spring			4		

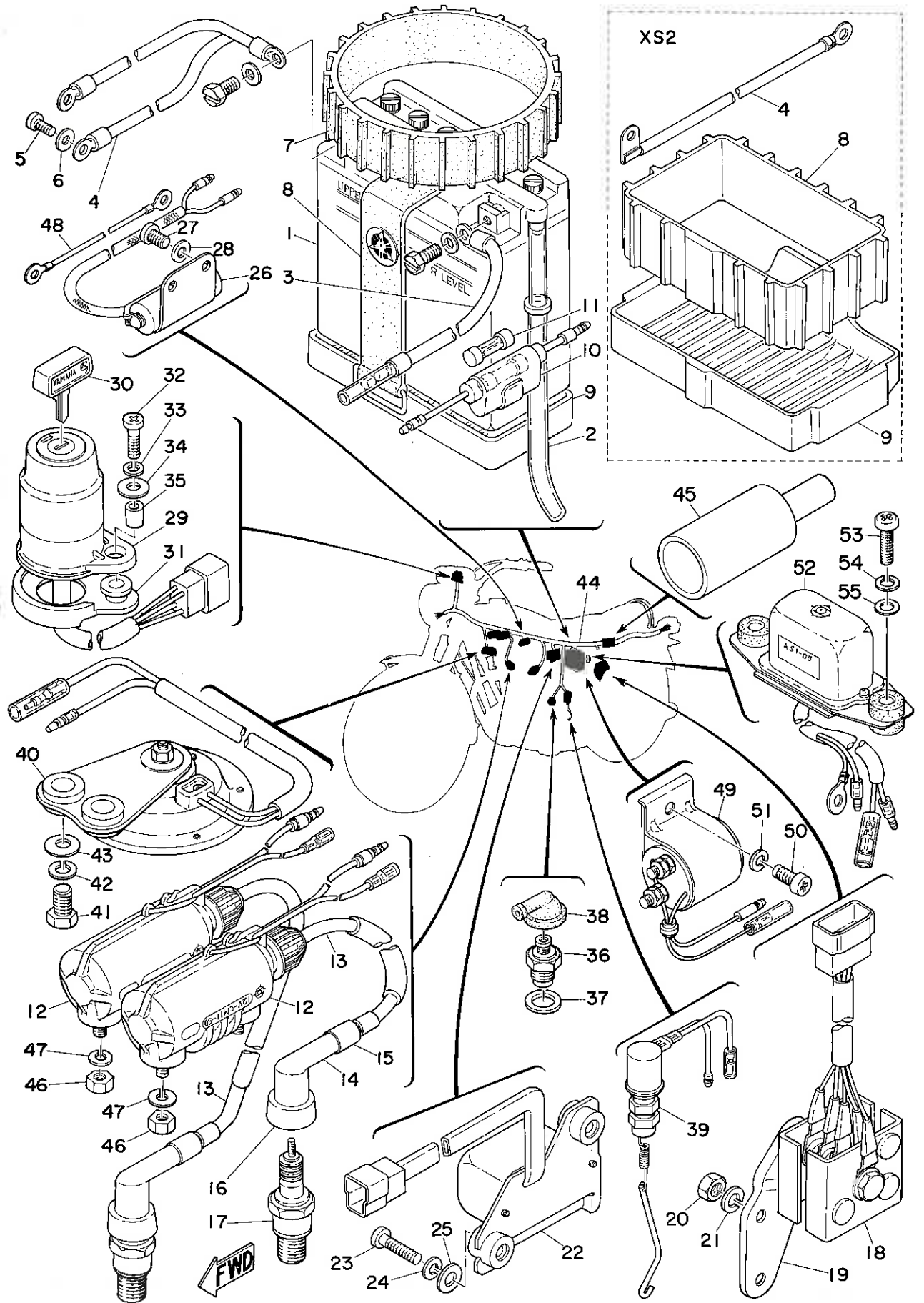
Fig. 44 ELECTRICAL



# ELECTRICAL

Ref. No.	Parts No.	Description	Q'ty			Applicable Machine No.	Remarks
			XS1	XS1F	XS2		
44- 1	131-82110-60	BATTERY ASS'Y	.....	U.R	U.R		
	131-82110-70	BATTERY ASS'Y	.....	1	1		
	306-82110-70	BATTERY ASS'Y	.....		1	12N12A-4A-1.	
44- 2	168-82112-00	PIPE, breather	.....	1	1	1	
44- 3	256-82115-00	WIRE, plus lead	.....	1	1		
	306-82115-00	WIRE, plus lead	.....		1		
44- 4	256-82116-00	WIRE, minus lead	.....	1	1		
	306-82116-00	WIRE, minus lead	.....		1		
44- 5	92501-06010	SCREW, pan head	.....	1	1	1	
44- 6	92901-06200	WASHER, plain	.....	1	1	1	
44- 7	256-82124-00	BAND, battery	.....	1	1	1	
44- 8	133-82131-00	BAND, battery	.....	1	1		
	306-82124-00	BAND, battery	.....		1		
44- 9	256-82122-00	SEAT, battery	.....	1	1		
	306-82122-00	SEAT, battery	.....		1		
44-10	164-82150-00	FUSE HOLDER ASS'Y	.....	1	1	1	
44-11	148-82151-00	. FUSE	.....	2	2	2	
44-12	227-82310-60	IGNITION COIL ASS'Y	.....	2	2	2	
44-13	256-82341-00	CORD, high tension	.....	2	2	2	
44-14	256-82370-00	PLUG CAP ASS'Y	.....	2	2	2	
44-15	256-82373-00	. SEAL, high tension cord	.....	2	2	2	
44-16	256-82372-00	. SEAL, plug cap	.....	2	2	2	
44-17	94701-00045	PLUG, spark (B-8ES)	.....	2	2	2	
44-18	256-81970-10	RECTIFIER ASS'Y	.....	1	1	1	
44-19	256-81975-00	PLATE, rectifier fitting	.....	1	1		

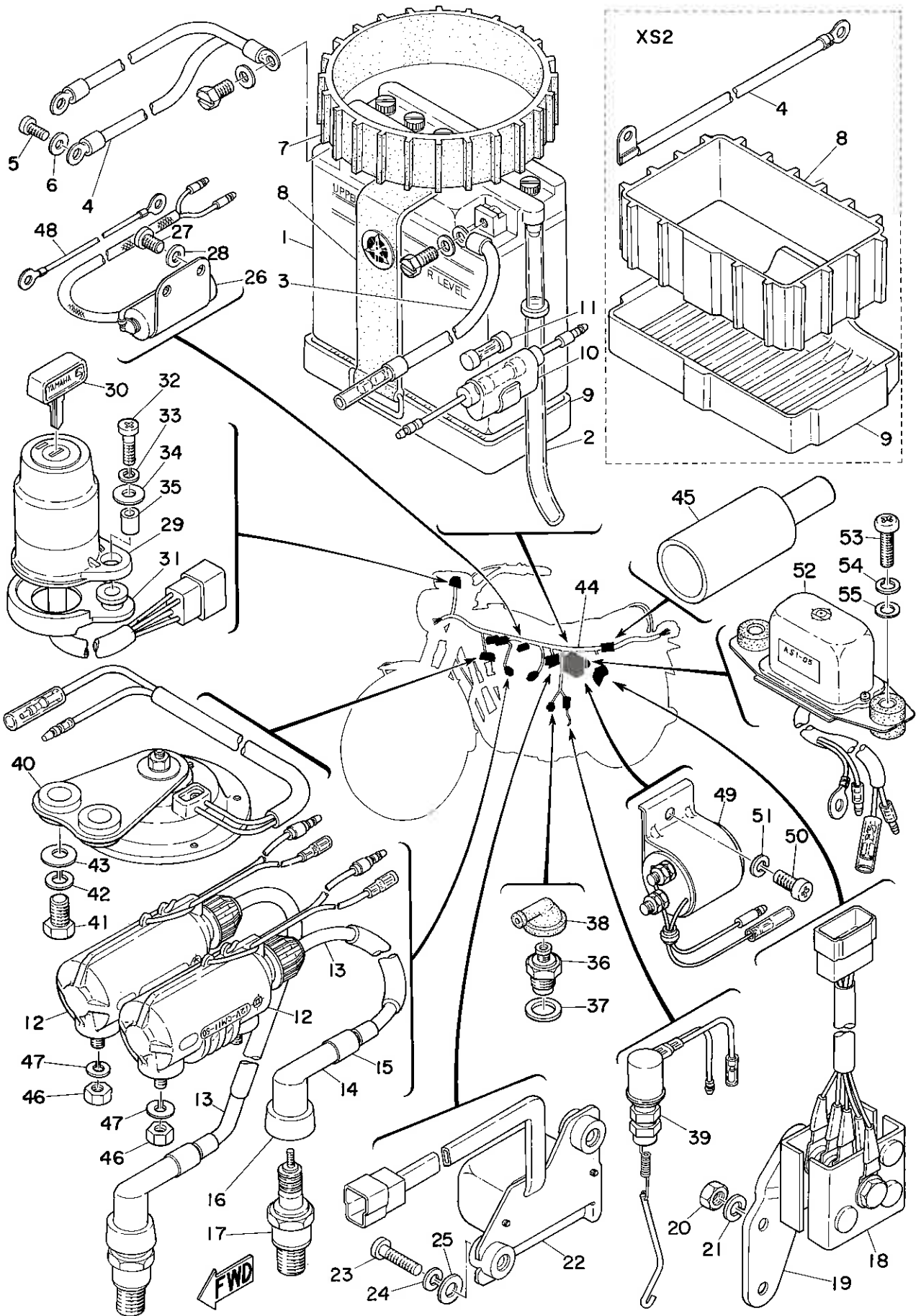
Fig.44 ELECTRICAL



# ELECTRICAL

Ref. No.	Parts No.	Description	Q'ty			Applicable Machine No.	Remarks
			XS1	XS1F	XS2		
44-20	98801-08300	NUT .....	1	1			
44-21	92901-08100	WASHER .....	1	1			
44-22	256-81910-10	VOLTAGE REGULATOR ASS'Y	1	1	1		
44-23	92501-06025	SCREW, pan head .....	2	2	2		
44-24	92901-06100	WASHER, spring .....	2	2	2		
44-25	136-22316-00	WASHER, special (6.5-12-1.2)	2	2	2		
44-26	256-81625-10	CONDENSER .....	1	1	1		
44-27	92501-06010	SCREW, pan head .....	2	2	2		
44-28	92901-06100	WASHER, spring .....	2	2	2		
44-29	256-82508-30	MAIN SWITCH ASS'Y .....	1	1	1		
44-30	256-82511-30	. KEY, main switch .....	3	3	3	Not for sale	
44-31	256-82515-00	DAMPER, main switch .....	1	1	1		
	256-82515-80	DAMPER, main switch .....	1	1	1	for Bar Handle	
44-32	98503-05020	SCREW, pan head .....	2	2	2		
	98503-05035	SCREW, pan head .....	2	2	2	for Bar Handle	
44-33	92901-05100	WASHER, spring .....	2	2	2		
44-34	256-82517-00	WASHER, special (5.5-15-1.0)	2	2	2		
44-35	256-82516-00	COLLAR, main switch .....	2	2	2		
	256-82516-80	COLLAR, main switch .....	2	2	2	for Bar Handle	
44-36	168-82540-00	NEUTRAL SWITCH ASS'Y .....	1	1	1		
44-37	168-82543-00	GASKET .....	1				
	256-82543-00	GASKET .....	1	1	1	001139~	
44-38	168-82542-10	CAP .....	1	1	1		
44-39	256-82530-00	STOP SWITCH ASS'Y .....	1	1	1		

Fig. 44 ELECTRICAL





# ELECTRICAL

Ref. No.	Parts No.	Description	Q'ty			Applicable Machine No.	Remarks
			XS1	XS1F	XS2		
44-40	256-83371-20	HORN .....	1	1	1		
44-41	97201-08025	BOLT .....	2	2	2		
44-42	92901-08100	WASHER, spring .....	2	2	2		
44-43	137-24186-00	WASHER, special (8.5-23-2.0)	2	2	2		
44-44	256-82590-10	WIRE HARNESS ASS'Y .....	1	1			
	306-82590-30	WIRE HARNESS ASS'Y .....			1		
44-45	214-82599-00	COVER, connector .....	1	1	1		
44-46	92801-06100	NUT .....	4	4	4		
44-47	92901-06100	WASHER, spring .....	4	4	4		
44-48	256-81615-00	WIRE, lead .....	1	1			
44-49	306-81940-11	STARTER SWITCH ASS'Y .....			1		
44-50	92501-06015	SCREW, pan head .....			1		
44-51	92901-06100	WASHER, spring .....			1		
44-52	306-81950-10	RELAY ASS'Y .....			1		
44-53	92501-06025	SCREW, pan head .....			2		
44-54	92901-06100	WASHER, spring .....			2		
44-55	136-22316-00	WASHER, special (6.5-12-1.2)			2		

