

MODEL TX650

Handwritten signature

NOTICE

ALL PART NUMBERS CONTAINED IN THIS CATALOGUE ARE COMPRISED OF TEN DIGITS. WHEN ORDERING, PLEASE ADD TWO ZEROS TO THE END OF EACH PART NUMBER REQUIRED TO CONVERT THE TEN DIGITS INTO THE NEW TWELVE DIGIT NUMBERS.

This Parts List is for the exclusive parts for the TX650.

Please refer to XS2 Parts List for the parts not listed in this publication.

MOORE JAMES

THE UNIVERSITY OF CHICAGO
LIBRARY

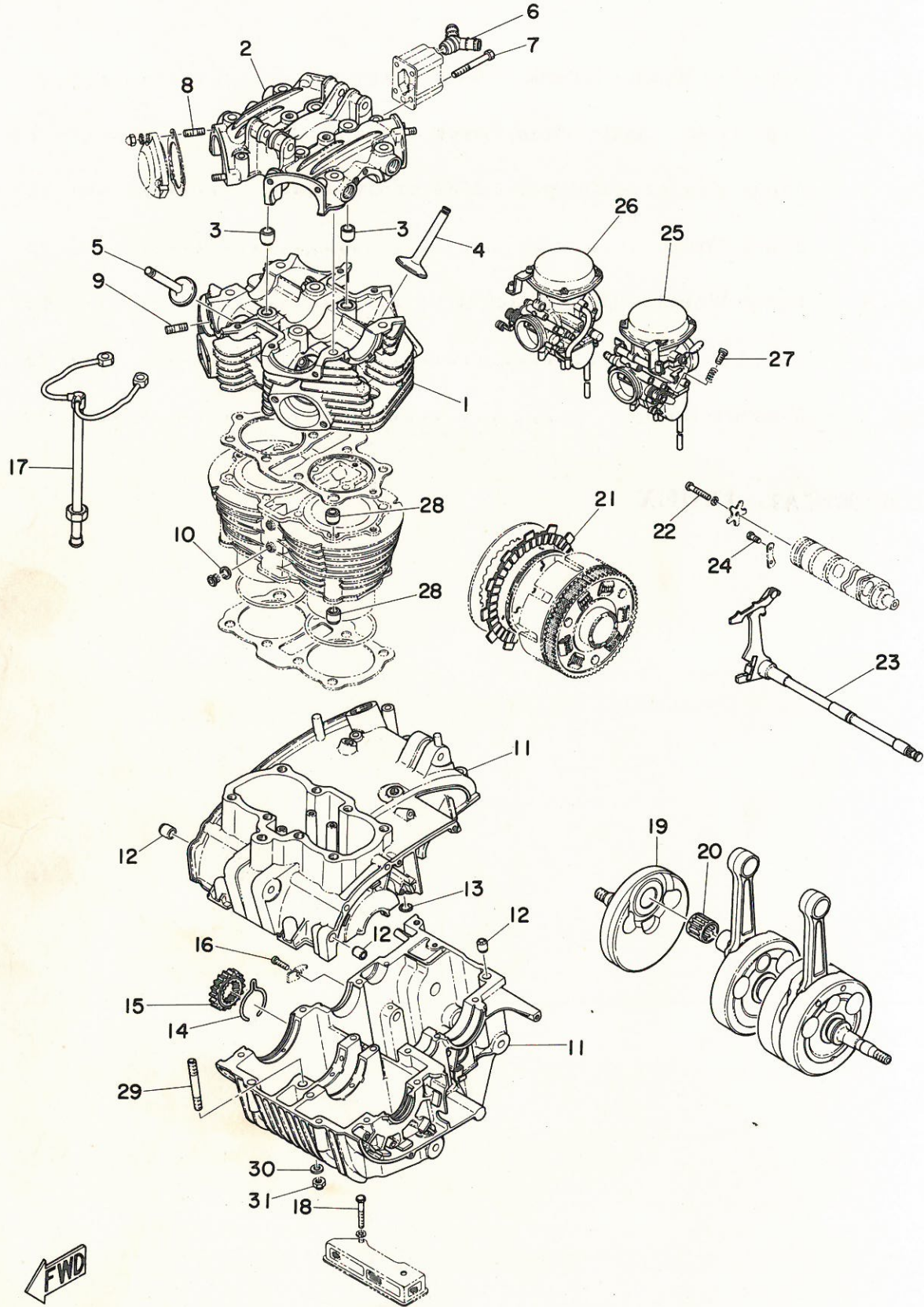


CONTENTS

Fig. 1	Cylinder Head · Crank · Crankcase	1
Fig. 2	Fuel Tank · Seat · Side Cover	5
Fig. 3	Front Fender · Caliper · Master Cylinder	11
Fig. 4	Front Fork	15
Fig. 5	Front Wheel · Disc Bracket	19
Fig. 6	Tail Lamp	23
Fig. 7	Flasher Lamp	25

NUMERICAL INDEX

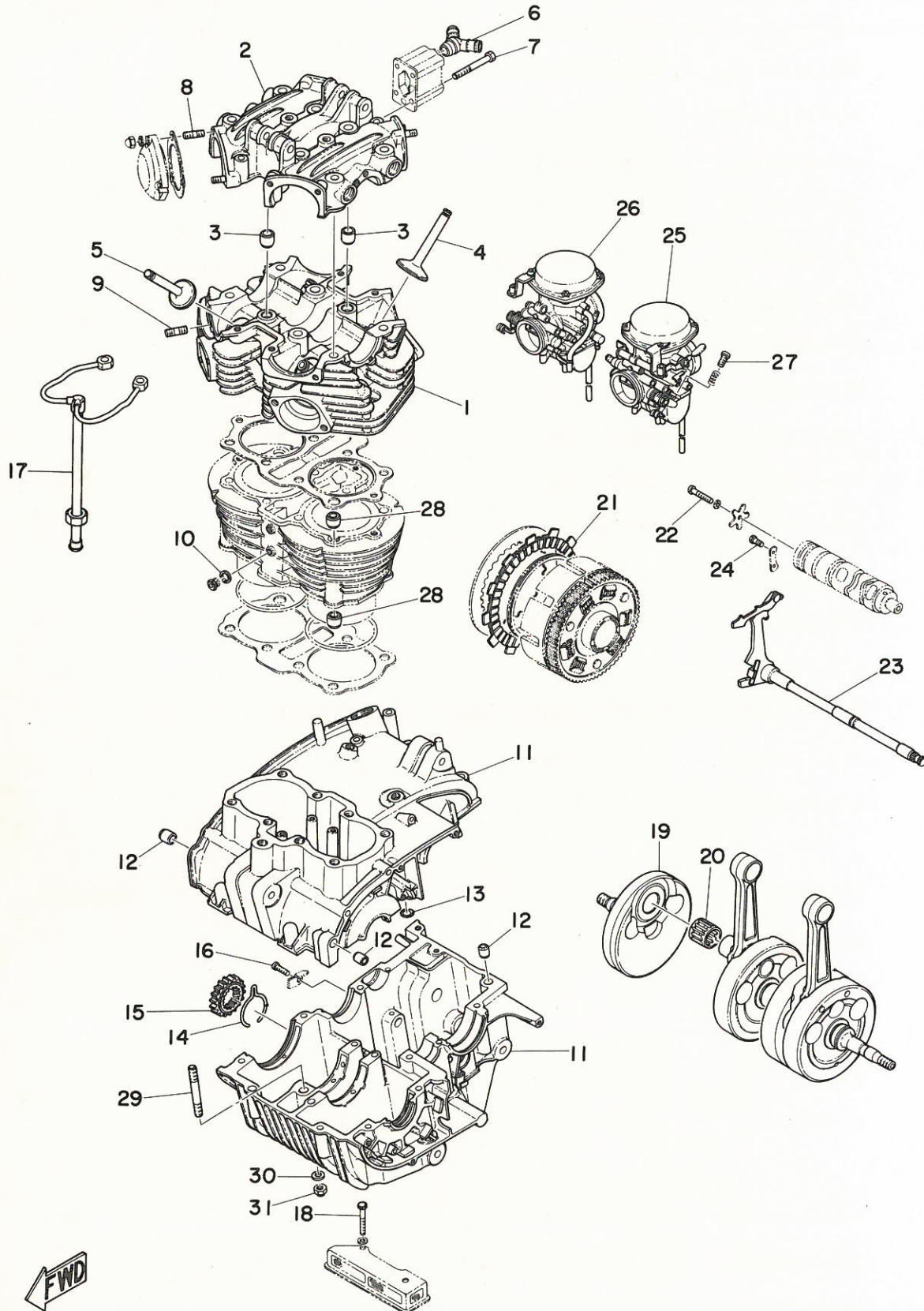
Fig. 1 CYLINDER HEAD · CRANK · CRANKCASE



CYLINDER HEAD · CRANK · CRANKCASE

Ref. No.	Parts No.	Description	Q'ty	Applicable Machine No.	Remarks
1- 1	306-11110-02	CYLINDER HEAD ASS'Y	1		
1- 2	306-11191-02-94	. COVER, cylinder head	1		Not for sale
1- 3	91810-16016	. PIN, dowel	2		
1- 4	341-12111-00	VALVE, intake	2	E/N ~ 216613 (NOT AVAILABLE)	
1- 5	341-12121-00	VALVE, exhaust	2	E/N 216614 ~	
	341-12111-01			E/N ~ 216613 (NOT AVAILABLE)	
	341-12121-01			E/N ~ 216614 ~	
1- 6	256-11167-03	PIPE, breather 2	1		
1- 7	91316-06060	BOLT	4		
1- 8	306-11179-00	BOLT, stud	6		
1- 9	256-11179-00	BOLT, stud	3		
1-10	256-11397-01	GASKET	2		
1-11	306-15100-01	CRANK CASE ASS'Y	1		
1-12	91810-05016	PIN, dowel	6		
1-13	256-15395-00	GASKET, oil sealing	1		
1-14	306-15536-01	CLIP, starter	1		
1-15	306-15516-01	GEAR 4 (25T)	1		
1-16	92501-06018	SCREW, panhead	1		
1-17	256-13161-01	PIPE, delivery 1	1		
1-18	91201-06040	BOLT	3		
1- 0-1	306-11400-01	CRANK ASS'Y	1		
1-19	306-11442-01	. CRANK, 2 right	1		
1-20	93310-62660	. BEARING, con-rod big end	2		
1- 0-2	256-16301-60	CLUTCH ASS'Y	1		
1-21	341-16321-00	. PLATE, friction 1	2		
1-22	98501-05045	SCREW, panhead	1		

Fig. 1 CYLINDER HEAD · CRANK · CRANKCASE



CYLINDER HEAD · CRANK · CRANKCASE

Ref. No.	Parts No.	Description	Q'ty	Applicable Machine No.	Remarks
1-23	256-18101-01	CHANGE SHAFT ASS'Y	1		
1-24	341-18594-00	BOLT	2		
1-25	306-14901-02	CARBURETOR ASS'Y, left	1		
1-26	306-14902-02	CARBURETOR ASS'Y, right ...	1		
1-27	256-14922-01	. SCREW, throttle stop	2		
1-28	91810-16016	PIN, dowel	4		
1-29	306-15193-00	BOLT, crankcase stud 2	1		L=103
1-30	256-11198-00	GASKET (8.5-13-1.6)	4		} for cover, strainer
1-31	256-14652-00	NUT, exhaust pipe hold	4		

FUEL TANK · SEAT · SIDE COVER

Ref. No.	Parts No.	Description	Q'ty	Applicable Machine No.	Remarks
2- 1	366-24110-01-01	FUEL TANK COMP.	1		Metallic Flake Blue
2- 0-1	341-24653-00	CAP ASS'Y	1		
2- 2	308-24642-00	. GASKET, cap 2	1		
2- 3	308-24641-00	. GASKET, cap 1	1		
2- 4	341-24612-00	. PACKING, cap	1		
2- 5	93430-06005	. CIRCLIP (E-6)	1		
2- 6	308-24623-00	PIN 1	1		
2- 7	93430-02001	CIRCLIP (E-2)	1		
2- 8	341-24628-00	HOOK	1		
2- 9	341-24637-00	SPRING	1		
2-10	308-24624-00	PIN 2	1		
2-11	93430-02001	CIRCLIP (E-2)	1		
2-12	341-24602-01	KEY COMP.	1		
2-13	92501-04018	SCREW, panhead	1		
2-14	341-24161-02	EMBLEM, fuel tank left	1		
2-15	341-24162-02	EMBLEM, fuel tank right	1		
2-16	360-24143-00	NUT	4		
2-17	366-24730-01	DOUBLE SEAT ASS'Y	1		
2-18	366-21711-00-F5	COVER, side left	1		Metallic Flake Blue
2-19	366-21721-00-F5	COVER, side right	1		Metallic Flake Blue
2-20	366-21787-00	EMBLEM, OHC 650	2		
2-21	341-21785-00	EMBLEM, electric	2		
2-22	341-22184-00	BUSHING	1		

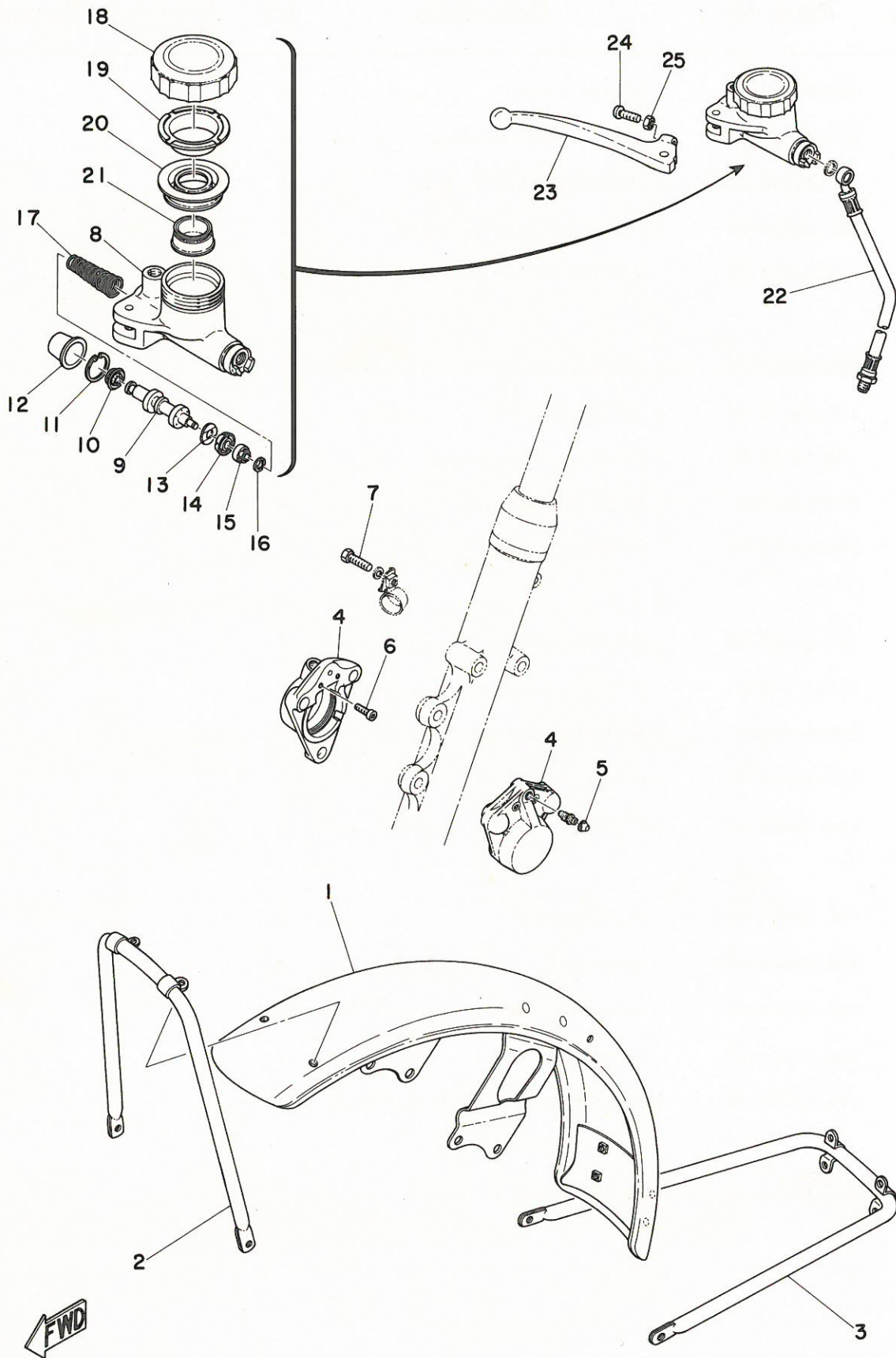
FUEL TANK · SEAT · SIDE COVER

Ref. No.	Parts No.	Description	Q'ty	Applicable Machine No.	Remarks
2-23	256-22123-01	BUSHING, rear arm	2		
2-24	341-22128-00	COVER, thrust	2		
2-25	306-92282-90	BOLT, rear cushion	2		
2-26	214-22241-00	BOLT, rear cushion	2		
2-27	102-22243-00	WASHER, rear cushion	4		
2-28	366-85112-01	BRACKET, reflector	1		
2-29	256-23162-60	COVER, reflector stay	2		
2-30	92901-05100	WASHER, spring	2		
2-31	341-85111-00	REFLECTOR	2		
2-32	366-82508-30	MAIN SWITCH ASS'Y	1		
2-33	256-84330-60-F5	BODY ASS'Y	1		Metallic Flake Blue
2-34	306-81940-11	STARTER SWITCH ASS'Y	1		
2-35	341-82112-00	PIPE, breather (5-680)	1		
2-36	341-23480-00	STEERING LOCK ASS'Y	1		
2-37	256-26335-02	WIRE, clutch	1		
2-38	366-83550-00	SPEEDOMETER CABLE ASS'Y ..	1		
2-39	306-82599-00	COVER, connector	1		
2-40	366-83371-20	HORN	1		
2-41	97201-08025	BOLT	2		
2-42	92901-08100	WASHER, spring	2		
2-43	137-24186-00	WASHER (8.5-23-2)	2		
2-44	366-82591-00	BAND	2		
2-45	94575-30097	CHAIN (DK530HDS, 97L)	1		

FUEL TANK · SEAT · SIDE COVER

Ref. No.	Parts No.	Description	Q'ty	Applicable Machine No.	Remarks
2-46	94675-30011	. JOINT, chain	1		
2-47	366-24143-00	BOLT, cock connecting	4		
2-48	366-24500-00	FUEL COCK ASS'Y, left	1		
2-49	366-24510-00	FUEL COCK ASS'Y, right	1		
2-50	137-24523-00	. VALVE	2		
2-51	256-24524-00	. LEVER, cock	2		
2-52	132-24518-00	. WASHER, wave	2		
2-53	132-24525-00	. PLATE, lever fitting	2		
2-54	98501-03006	. SCREW, panhead	4		
2-55	256-24522-00	. PACKING, filter	2		
2-56	256-24521-00	. COVER, filter	2		
2-57	98501-04008	. SCREW, panhead	4		
2-58	92901-04100	. WASHER, spring	4		
2-59	256-24537-00	. nipple	2		
2-60	256-24528-00	. GASKET	2		
2-61	256-24543-00	. PLUG, drain	2		
2-62	801-24437-00	. GASKET	2		
2-63	256-24512-00	. GASKET, body	2		
2-64	366-24545-00	. SPACER	2		
2-65	178-14766-00	WASHER, protector (6.2-12-1.5)	2		
2-66	366-82110-70	BATTERY ASS'Y	1		

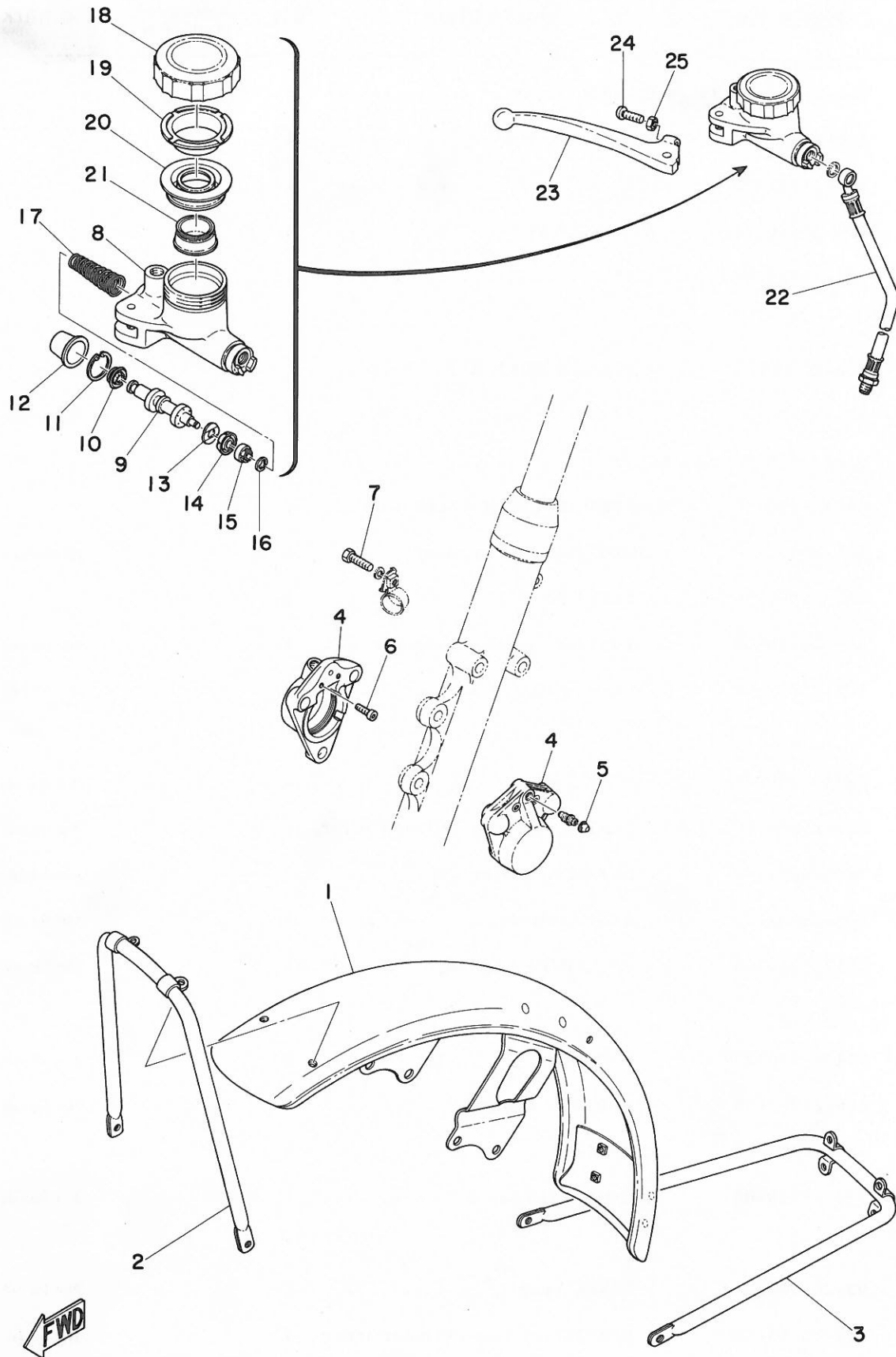
Fig. 3 FRONT FENDER - CALIPER - MASTER CYLINDER



FRONT FENDER · CALIPER · MASTER CYLINDER

Ref. No.	Parts No.	Description	Q'ty	Applicable Machine No.	Remarks
3- 1	366-21511-00-93	FENDER, front	1		
3- 2	366-21513-00	PIPE, stay front	1		
3- 3	366-21514-00	PIPE, stay rear	1		
3- 4	306-25810-01	CALIPER ASS'Y	1		
3- 5	306-25825-01	. CAP	1		
3- 0-1	306-20000-51	. CALIPER SEAL KIT	1		
3- 6	306-25826-01	. . BOLT, bridge 3	2		Not for sale
3- 7	91201-06025	BOLT	1		
3- 0-2	366-25850-00	MASTER CYLINDER ASS'Y ...	1		
3- 8	366-25851-00	. BODY, master cylinder	1		Not for sale
3- 0-3	360-20000-10	. CYLINDER KIT	1		
3- 9	360-25856-00	. . PISTON, master cylinder ...	1		Not for sale
3-10	306-25859-00	. . CUP, cylinder 2	1		Not for sale
3-11	93420-18027	. . RING, snap	1		Not for sale
3-12	306-25868-00	. . BOOTS, master cylinder inner	1		Not for sale
3-13	360-25857-00	. . SPACER, piston cup	1		Not for sale
3-14	306-25858-00	. . CUP, cylinder 1	1		Not for sale
3-15	306-25865-00	. . RETAINER, spring	1		Not for sale
3-16	93430-04002	. . E-RING	1		Not for sale
3-17	306-25863-00	. . SPRING, conical	1		Not for sale
3- 0-4	360-20000-20	. CUP KIT	1		
3-10	306-25859-00	. . CUP, cylinder 2	1		Not for sale
3-11	93420-18027	. . RING, snap	1		Not for sale
3-12	306-25868-00	. . BOOTS, master cylinder inner	1		Not for sale

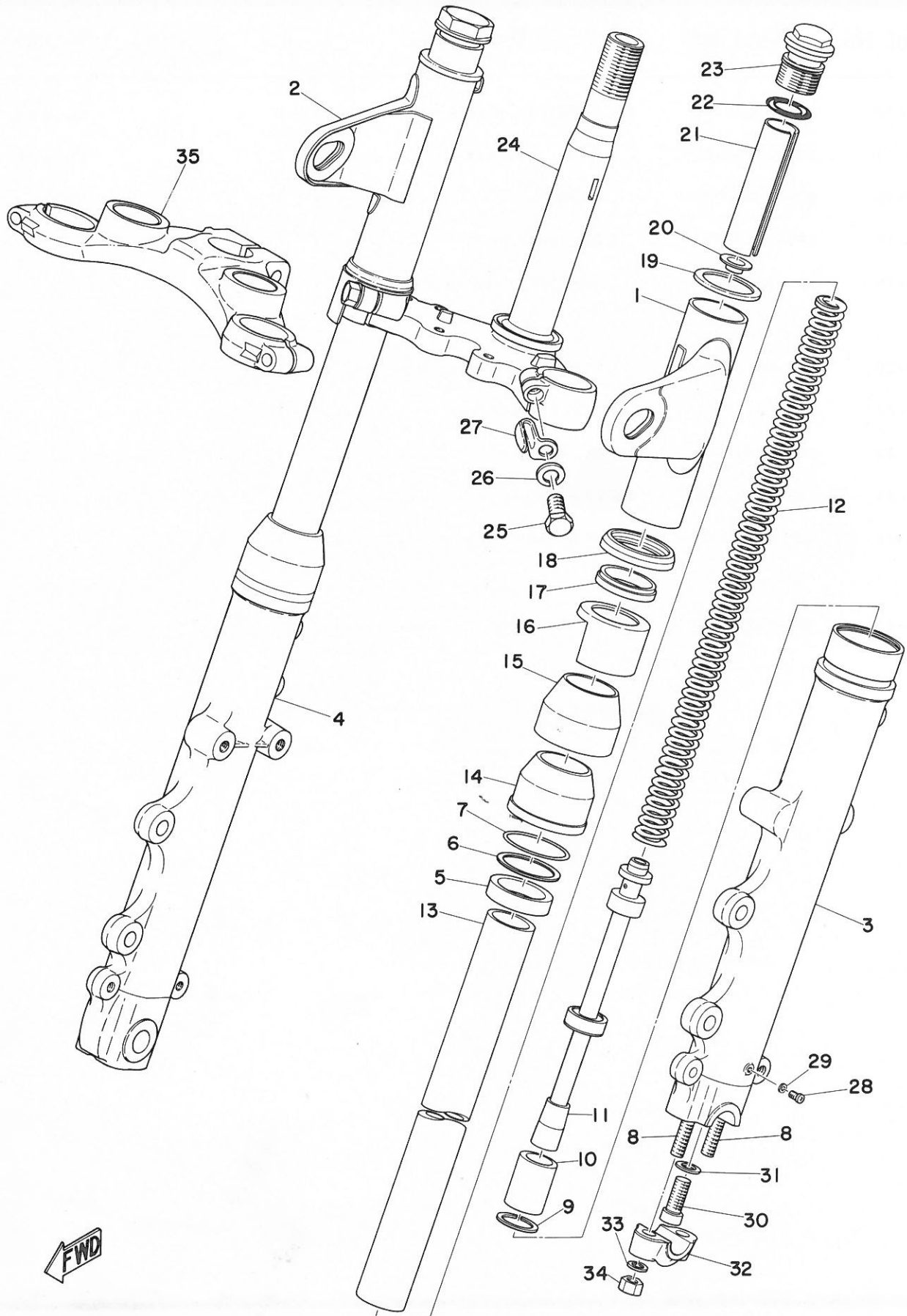
Fig. 3 FRONT FENDER - CALIPER - MASTER CYLINDER



FRONT FENDER · CALIPER · MASTER CYLINDER

Ref. No.	Parts No.	Description	Q'ty	Applicable Machine No.	Remarks
3-13	360-25857-00	. . SPACER, piston cup	1		Not for sale
3-14	306-25858-00	. . CUP, cylinder 1	1		Not for sale
3-16	93430-04002	. . E-RING	1		Not for sale
3-18	360-25852-00	. CAP, reserver	1		
3-19	360-25855-00	. BUSHING, diaphragm	1		
3-20	360-25854-00	. DIAPHRAGM, resrver	1		
3-21	360-25853-00	. FLOAT, reserver	1		
3-22	306-25872-01	HOSE, brake 1	1		
3-23	306-83922-01	LEVER, right	1		
3-24	306-83928-01	SCREW, adjusting	1		
3-25	306-83927-00	NUT, adjusting	1		

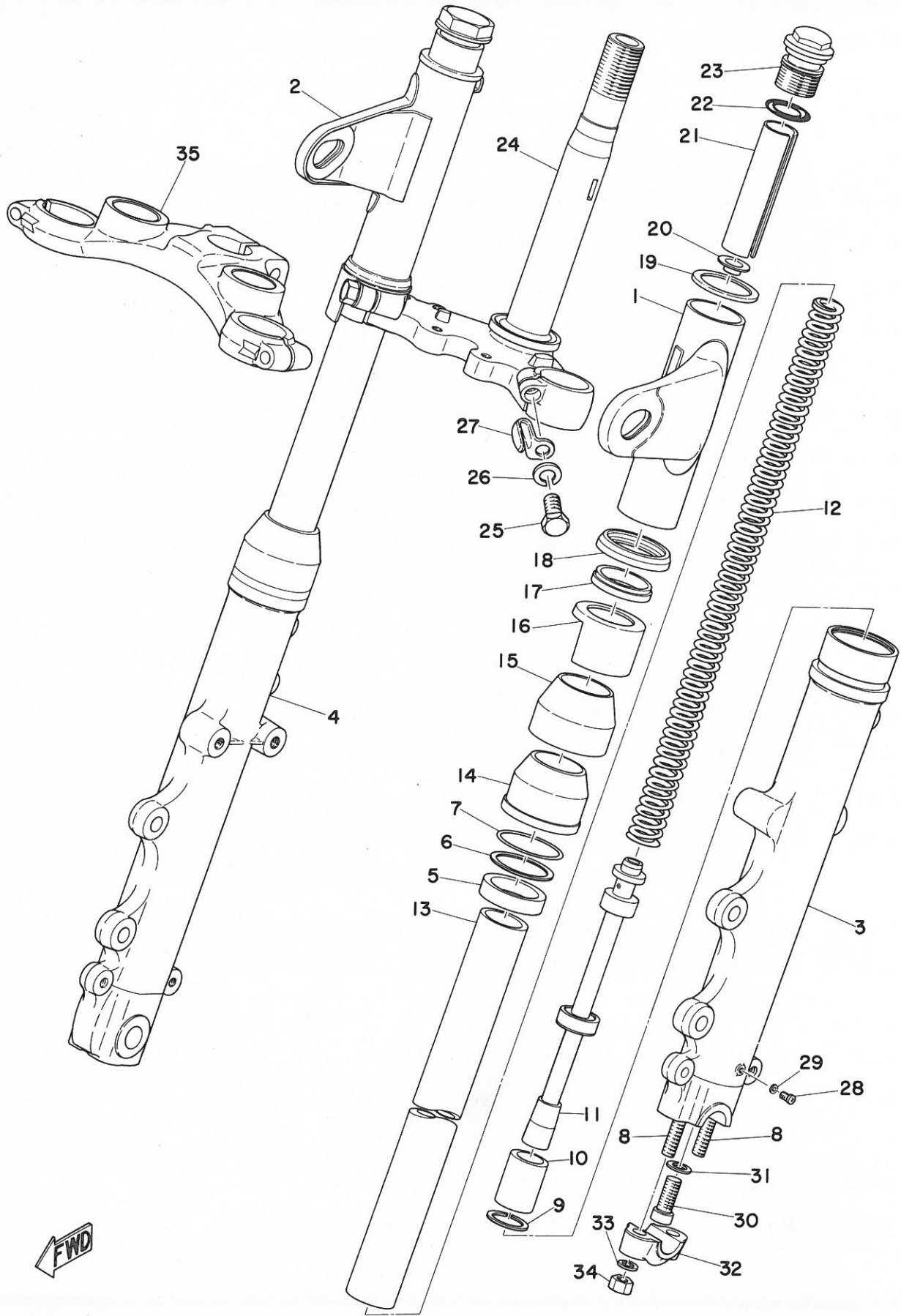
Fig. 4 FRONT FORK



FRONT FORK

Ref. No.	Parts No.	Description	Q'ty	Applicable Machine No.	Remarks
4- 1	366-23121-60-F5	COVER, upper left	1		Metallic Flake Blue
4- 2	366-23131-60-F5	COVER, upper right	1		Metallic Flake Blue
4- 0-1	366-23101-60	FRONT FORK ASS'Y	1		
4- 3	366-23126-60	. TUBE, outer left	1		
4- 4	366-23136-60	. TUBE, outer right	1		
4- 5	278-23145-50	. . OIL SEAL	2		
4- 6	214-23146-00	. . WASHER, oil seal	2		
4- 7	214-23156-00	. . CLIP, oil seal	2		
4- 8	278-23128-50	. . BOLT	2		Left side only
4- 9	93420-28025	. CIRCLIP	2		
4-10	278-23171-50	. PISTON, front fork	2		
4-11	306-23170-60	. CYLINDER COMP.	2		
4-12	256-23141-62	. SPRING, fork	2		
4-13	306-23124-60	. TUBE, inner	2		
4-14	278-23144-50	. SEAL, dust	2		
4-15	278-23148-50	. COVER, dust seal	2		
4-16	286-23122-50	. COVER, outer	2		
4-17	256-23163-60	. PACKING	2		
4-18	256-23116-61	. GUIDE, cover under	2		
4-19	168-23115-00	. GUIDE, cover upper	2		
4-20	256-23142-60	. SEAT, spring upper	2		
4-21	366-23118-60	. SPACER	2		
4-22	214-23114-00	. PACKING	2		

Fig. 4 FRONT FORK



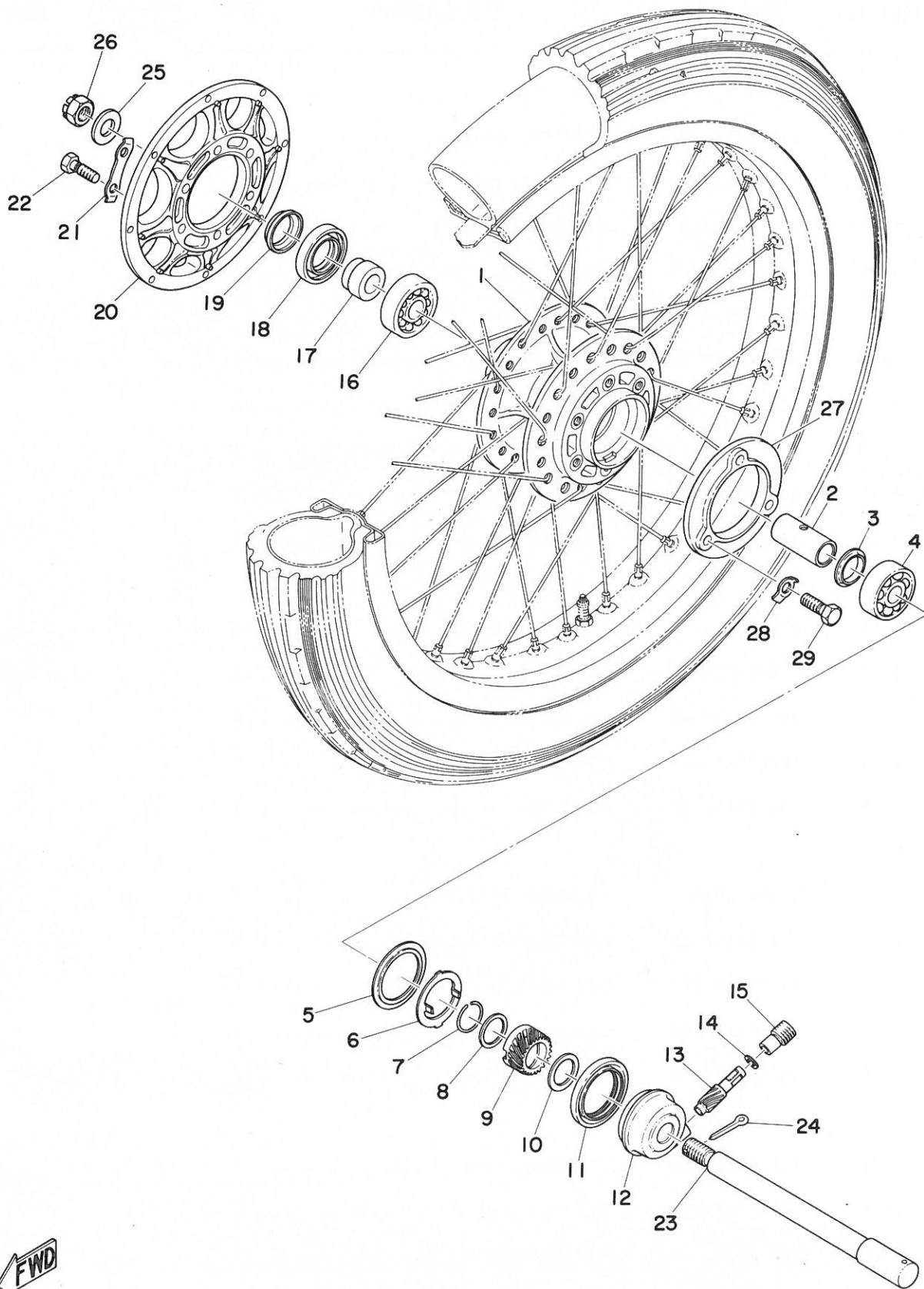
FRONT FORK

Ref. No.	Parts No.	Description	Q'ty	Applicable Machine No.	Remarks
4-23	366-23111-60	. BOLT, cap	2		
4-24	366-23340-60-33	. UNDER BRACKET COMP. ...	1		
4-25	306-23346-60	. BOLT, under bracket	2		
4-26	92901-12100	. WASHER, spring	2		
4-27	306-23318-60	. HOLDER, wire	1		
4-28	122-23119-01	. PLUG, drain	2		
4-29	122-23129-00	. GASKET, drain plug	2		
4-30	278-23181-50	. BOLT	2		
4-31	278-23158-50	. PACKING	2		
4-32	341-23167-50	. HOLDER, axle	1		
4-33	92901-08100	. WASHER, spring	2		
4-34	98801-08100	. NUT	2		
4-35	366-23435-00-98	CROWN, handle	1		Frosting Black
4-36	97203-08050	Bolt	2		
4-37	97203-08065	Bolt	1		

FRONT WHEEL · DISC BRACKET

Ref. No.	Parts No.	Description	Q'ty	Applicable Machine No.	Remarks
5- 1	341-25111-01	HUB, front	1		
5- 2	341-25117-01	SPACER, bearing	1		
5- 3	152-25115-00	FLANGE, spacer	1		
5- 4	93306-30304	BEARING (6303Z)	1		
5- 5	341-25846-00	RETAINER, clutch meter	1		
5- 6	341-25149-00	CLUTCH, meter	1		
5- 7	341-25137-00	RING, stop	1		
5- 8	341-25147-00	WASHER, thrust (25-29-1.0)	1		
5- 9	341-25135-01	GEAR, drive	1		
5-10	152-17226-00	WASHER, thrust (25-32-1.6)	1		
5-11	93105-45017	OIL SEAL (SDD45-56-6)	1		
5-12	341-25191-01	HOUSING, gear unit	1		
5-13	306-25138-00	GEAR, meter	1		
5-14	102-18416-00	WASHER (6.2-9.5-0.8)	1		
5-15	306-25136-00	BUSHING	1		
5-16	93306-30301	BEARING (6303)	1		
5-17	341-25183-00	COLLAR, wheel shaft	1		
5-18	93102-28022	OIL SEAL (SD28-47-7)	1		
5-19	341-25118-00	COVER, hub dust	1		
5-20	341-25832-01	BRACKET, disc	1		
5-21	341-25412-00	WASHER, lock	3		
5-22	341-25411-00	BOLT, fitting	6		
5-23	341-25181-01	SHAFT, wheel	1		
5-24	91401-30028	PIN, cotter	1		

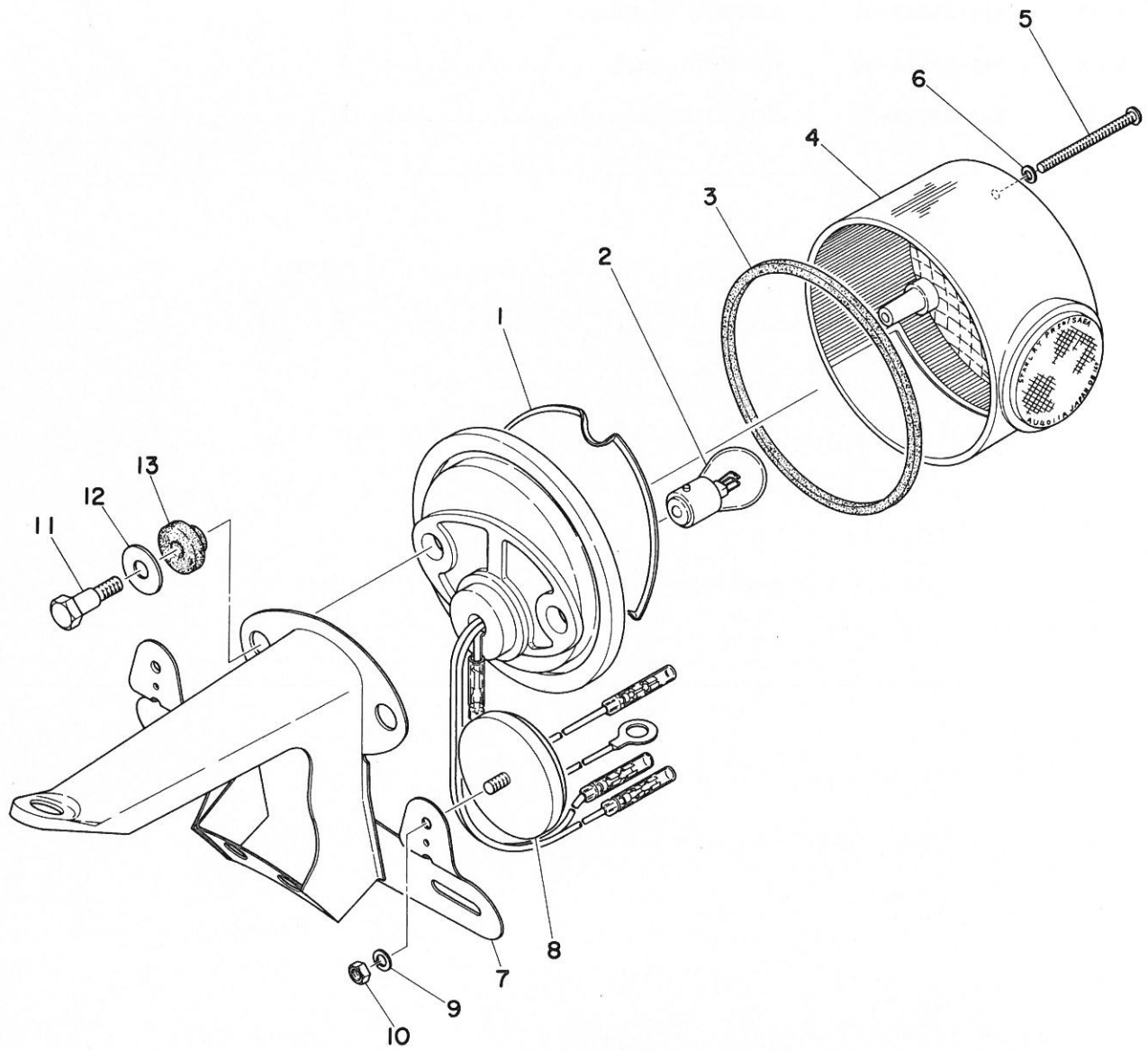
Fig. 5 FRONT WHEEL · DISC BRACKET



FRONT WHEEL - DISC BRACKET

Ref. No.	Parts No.	Description	Q'ty	Applicable Machine No.	Remarks
5-25	92901-14200	WASHER, plain	1		
5-26	214-25182-01	NUT, shaft	1		
5-27	341-25847-01	COVER, housing	1		
5-28	341-25844-00	WASHER, lock	3		
5-29	341-25411-00	BOLT, fitting	3		

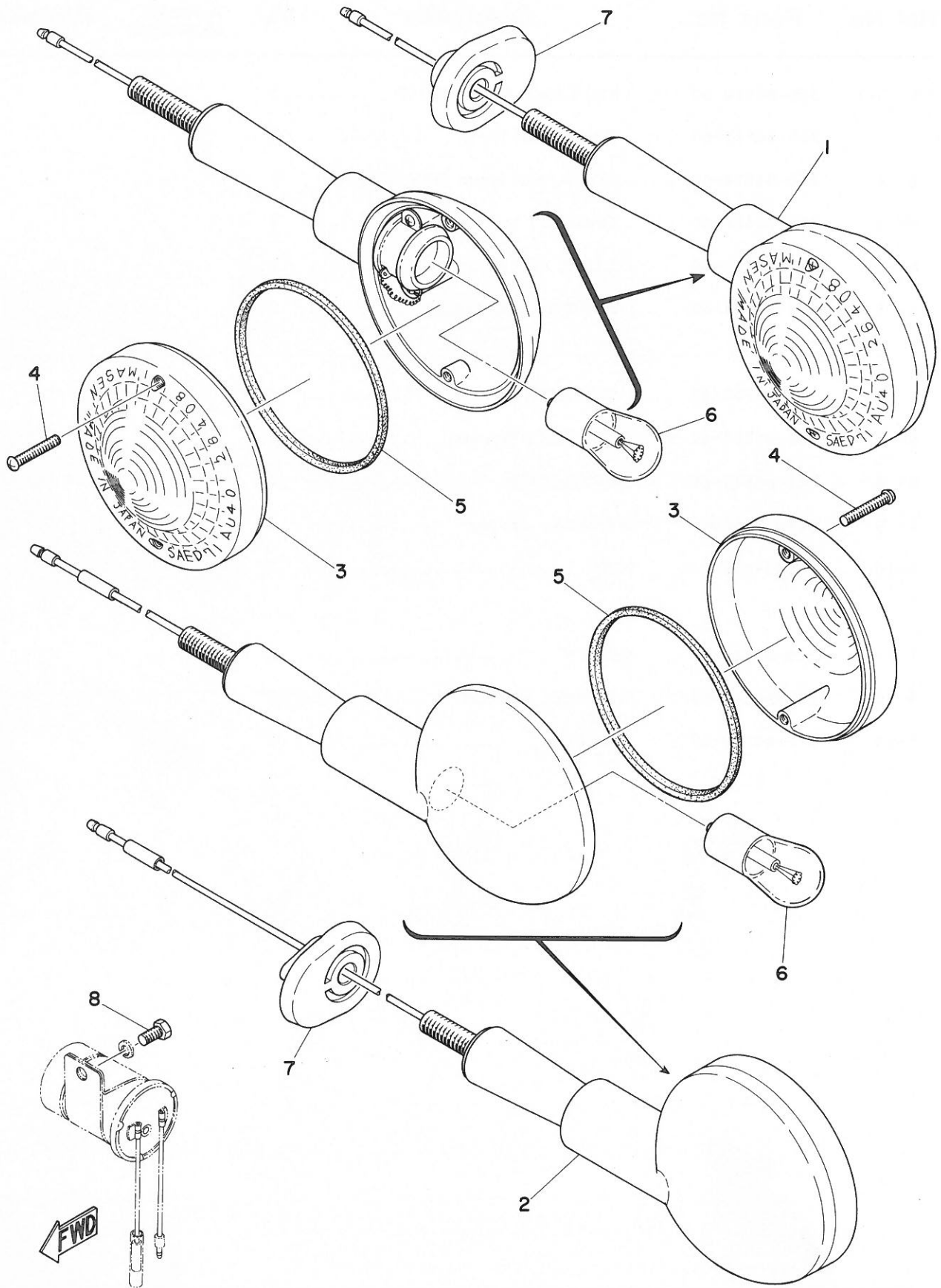
Fig. 6 TAIL LAMP



TAIL LAMP

Ref. No.	Parts No.	Description	Q'ty	Applicable Machine No.	Remarks
6- 0-1	366-84710-60	TAIL LAMP UNIT ASS'Y	1		
6- 1	366-84711-60	. BASE, tail lamp	1		
6- 2	256-84714-60	. BULB, tail lamp (12V 32/3CP)	1		
6- 3	275-84523-60	. GASKET, tail lens	1		
6- 4	341-84721-60	. LENS, tail lamp	1		
6- 5	341-84724-60	. SCREW, lens fitting	3		
6- 6	341-84722-60	. WASHER, special	3		
6- 7	341-84751-61-93	BRACKET, license	1		
6- 8	341-85111-60	REFLECTOR	2		
6- 9	92903-05100	WASHER, spring	2		
6-10	98803-05100	NUT	2		
6-11	275-84526-60	SCREW	2		
6-12	275-84525-60	WASHER, special	2		
6-13	275-84527-60	DAMPER	2		

Fig. 7 FLASHER LAMP



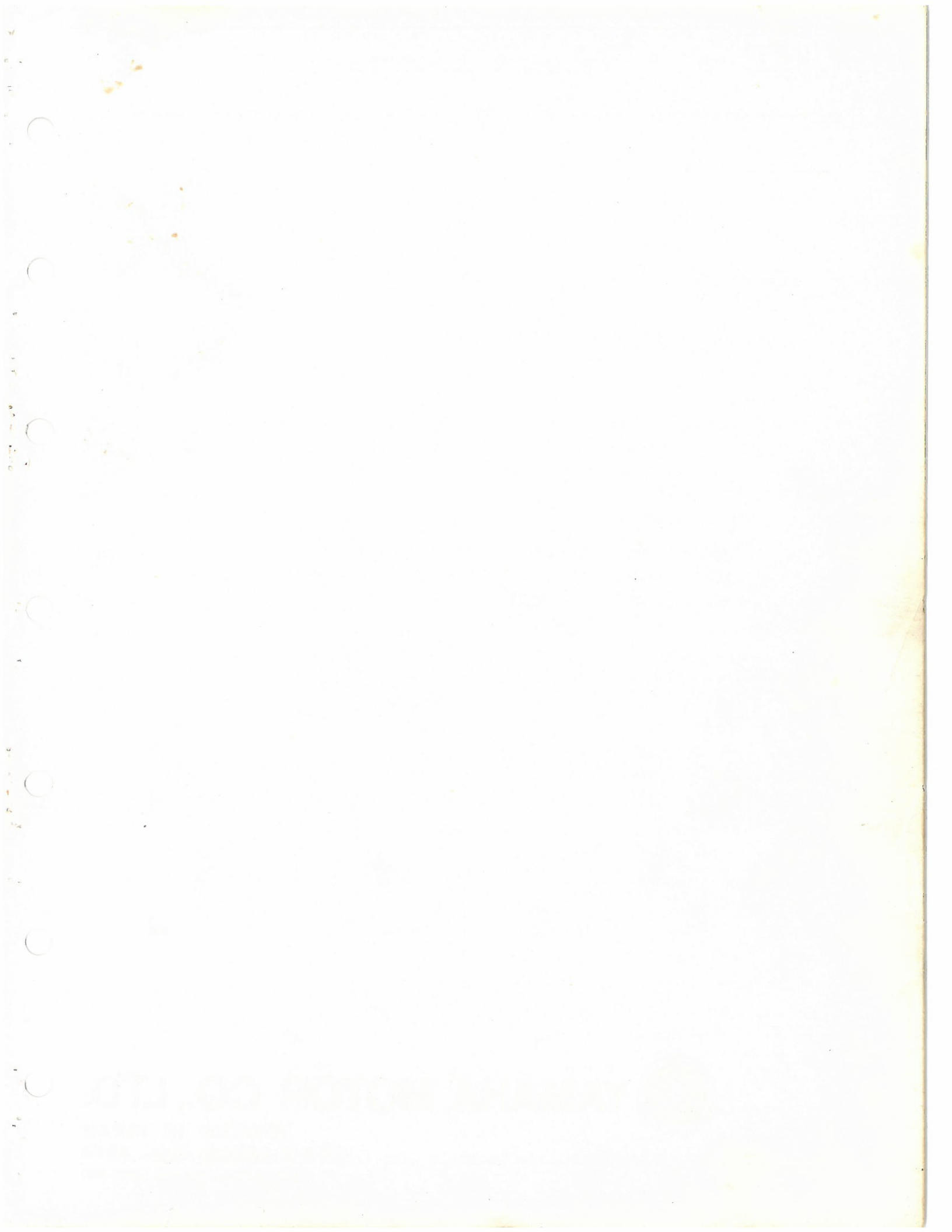
FWD

FLASHER LAMP

Ref. No.	Parts No.	Description	Q'ty	Applicable Machine No.	Remarks
7- 1	360-83310-70-93	FRONT FLASHER LAMP ASS'Y ..	2		Amber
7- 2	366-83330-70-93	REAR FLASHER LAMP ASS'Y, left	1		Red
	366-83340-70-93	REAR FLASHER LAMP ASS'Y, right	1		Red
7- 3	341-83312-70	. LENS, flasher	2		Amber
	341-83332-70	. LENS, flasher	2		Red
7- 4	341-83333-70	. SCREW, lens fitting	8		
7- 5	341-83313-70	. GASKET, flasher lens	4		
7- 6	256-83311-70	. BULB (12V 32CP)	4		
7- 7	366-83316-00	COLLAR, flasher	4		
7- 8	91201-06012	BOLT	1		

NUMERICAL INDEX

Ref No.	Parts No.	Ref No.	Parts No.	Ref No.	Parts No.
5- 8	341-25147-00	2-20	366-21787-00	2-13	92501-04018
5- 6	341-25149-00	4- 0-1	366-23101-60	1-16	92501-06018
5-23	341-25181-01	4-23	366-23111-60	2-58	92901-04100
5-17	341-25183-00	4-21	366-23118-60	2-30	92901-05100
5-12	341-25191-01	4- 1	366-23121-60-F5	2-42	92901-08100
5-22	341-25411-00	4- 3	366-23126-60	4-33	92901-08100
5-29	341-25411-00	4- 2	366-23131-60-F5	4-26	92901-12100
5-21	341-25412-00	4- 4	366-23136-60	5-25	92901-14200
5-20	341-25832-01	4-24	366-23340-60-33	6- 9	92903-05100
5-28	341-25844-00	4-35	366-23435-00-98	5-18	93102-28022
5- 5	341-25846-00	2- 1	366-24110-01-01	5-11	93105-45017
5-27	341-25847-01	2-47	366-24143-00	5-16	93306-30301
2-35	341-82112-00	2-48	366-24500-00	5- 4	93306-30304
7- 3	341-83312-70	2-49	366-24510-00	1-20	93310-62660
7- 5	341-83313-70	2-64	366-24545-00	3-11	93420-18027
7- 3	341-83332-70	2-17	366-24730-01	4- 9	93420-28025
7- 4	341-83333-70	3- 0-2	366-25850-00	2- 7	93430-02001
6- 4	341-84721-60	3- 8	366-25851-00	2-11	93430-02001
6- 6	341-84722-60	2-66	366-82110-70	3-16	93430-04002
6- 5	341-84724-60	2-32	366-82508-30	2- 5	93430-06005
6- 7	341-84751-61-93	2-44	366-82591-00	2-45	94575-30097
2-31	341-85111-00	7- 7	366-83316-00	2-46	94675-30011
6- 8	341-85111-60	7- 2	366-83330-70-93	2-41	97201-08025
3- 0-3	360-20000-10	7- 2	366-83340-70-93	2-54	98501-03006
3- 0-4	360-20000-20	2-40	366-83371-20	2-57	98501-04008
2-16	360-24143-00	2-38	366-83550-00	1-22	98501-05045
3-18	360-25852-00	6- 0-1	366-84710-60	4-34	98801-08100
3-21	360-25853-00	6- 1	366-84711-60	6-10	98803-05100
3-20	360-25854-00	2-28	366-85112-01		
3-19	360-25855-00	2-62	801-24437-00		
3- 9	360-25856-00	7- 8	91201-06012		
3-13	360-25857-00	3- 7	91201-06025		
7- 1	360-83310-70-93	1-18	91201-06040		
3- 1	366-21511-00-93	1- 7	91316-06060		
3- 2	366-21513-00	5-24	91401-30028		
3- 3	366-21514-00	1-12	91810-05016		
2-18	366-21711-00-F5	1- 3	91810-16016		
2-19	366-21721-00-F5	1-28	91810-16016		





YAMAHA MOTOR CO., LTD.

PRINTED IN JAPAN
First edition Aug., 1972
(LIT-10013-66-00) (366-80)