

# MODEL XS1-B

This Parts List is for the exclusive parts for the XS1-B. Please refer to XS1 Parts List for the parts not listed in this publication.

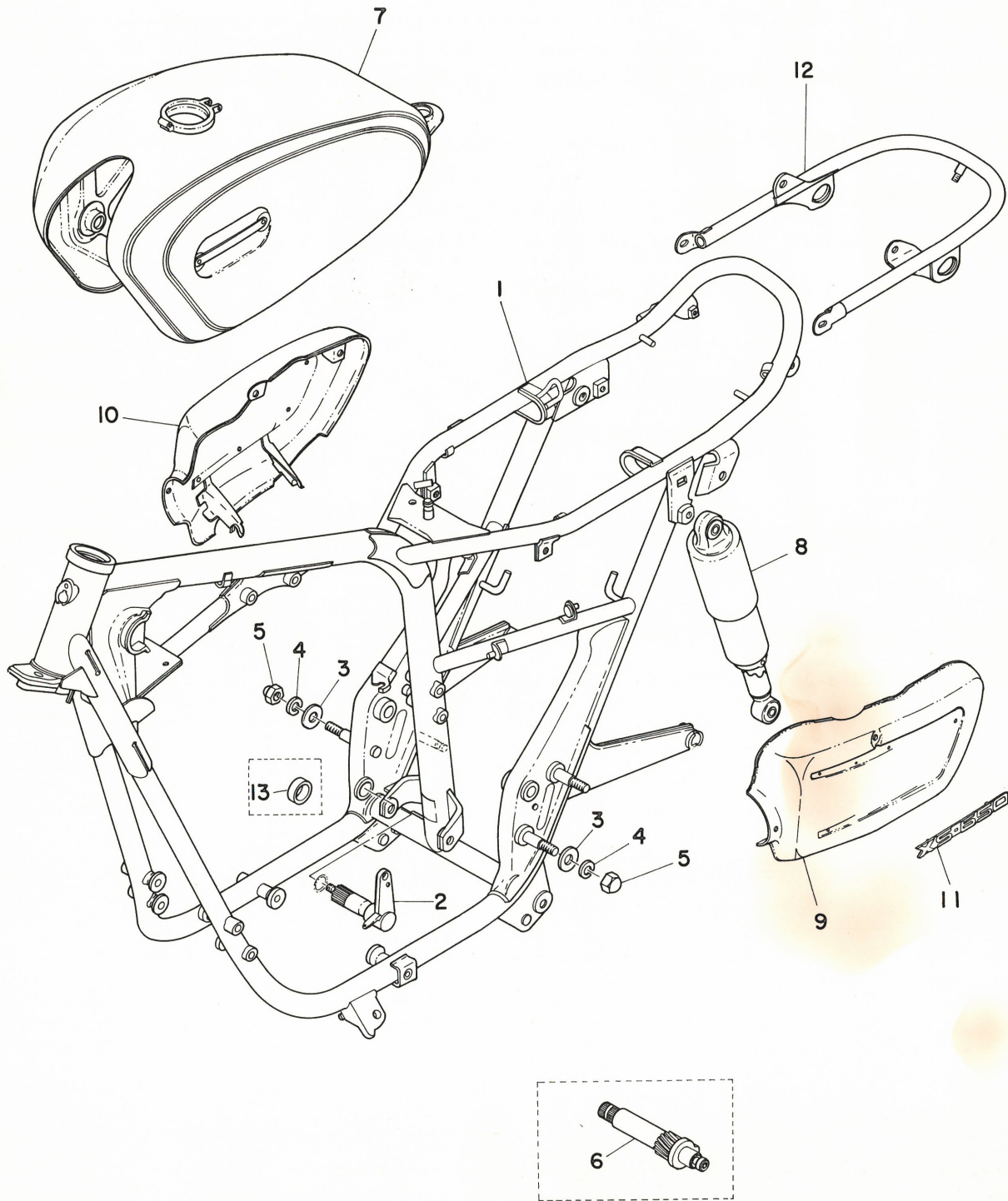


# CONTENTS

|        |                       |       |   |
|--------|-----------------------|-------|---|
| Fig. 1 | Frame                 | ..... | 1 |
| Fig. 2 | Front Fork            | ..... | 3 |
| Fig. 3 | Head Lamp & Tail Lamp | ..... | 7 |
| Fig. 4 | Flasher Lamp          | ..... | 9 |

## NUMERICAL INDEX

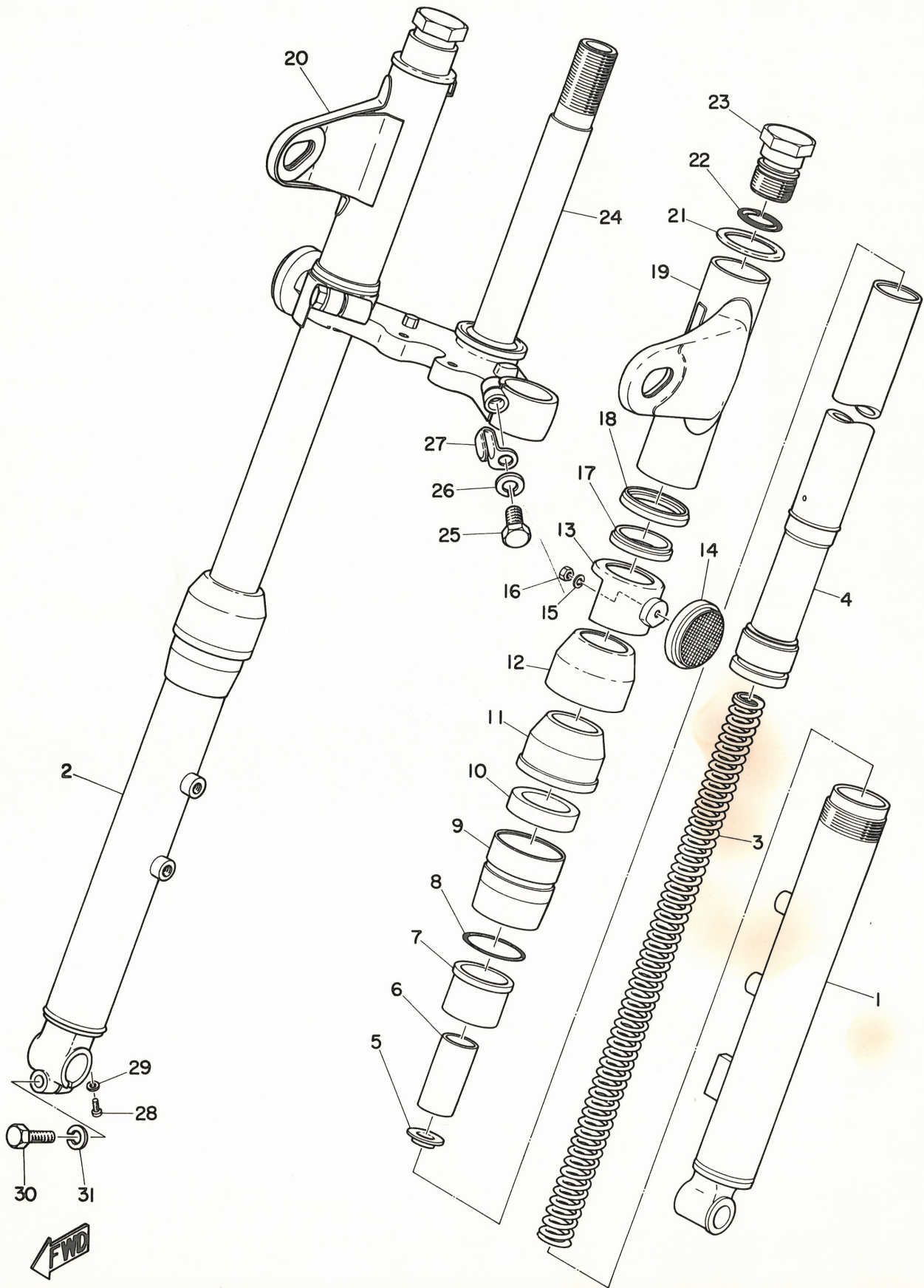
Fig. 1 FRAME



# FRAME

| Ref. No.              | Part No.        | Description               | Q'ty | Applicable<br>Machine No. | Remarks      |
|-----------------------|-----------------|---------------------------|------|---------------------------|--------------|
| 1- 1                  | 256-21110-01-33 | FRAME COMP. ....          | 1    |                           |              |
| 1- 2                  | 256-27212-01    | SHAFT, brake pedal .....  | 1    |                           |              |
| 1- 3                  | 256-27219-00    | WASHER, special .....     | 4    |                           |              |
| 1- 4                  | 92901-10100     | WASHER, spring .....      | 4    |                           |              |
| 1- 5                  | 92803-10700     | NUT, crown .....          | 4    |                           |              |
| 1- 6                  | 256-15660-01    | KICK AXLE ASS'Y .....     | 1    |                           |              |
| 1- 7                  | 256-24110-00-02 | FUEL TANK COMP. ....      | 1    |                           | Candy Orange |
| 1- 8                  | 256-22210-00-52 | REAR CUSHION ASS'Y .....  | 2    |                           | Candy Orange |
| 1- 9                  | 256-21711-01-52 | COVER, side left .....    | 1    |                           | Candy Orange |
| 1-10                  | 256-21721-01-52 | COVER, side right .....   | 1    |                           | Candy Orange |
| 1-11                  | 256-21786-00-52 | EMBLEM .....              | 2    |                           | Candy Orange |
| 1-12                  | 256-21645-01    | STAY, fender 5 .....      | 1    |                           |              |
| <b>ALTERNATE PART</b> |                 |                           |      |                           |              |
| 1-13                  | 256-27213-09    | COLLAR, brake shaft ..... | 1    |                           |              |

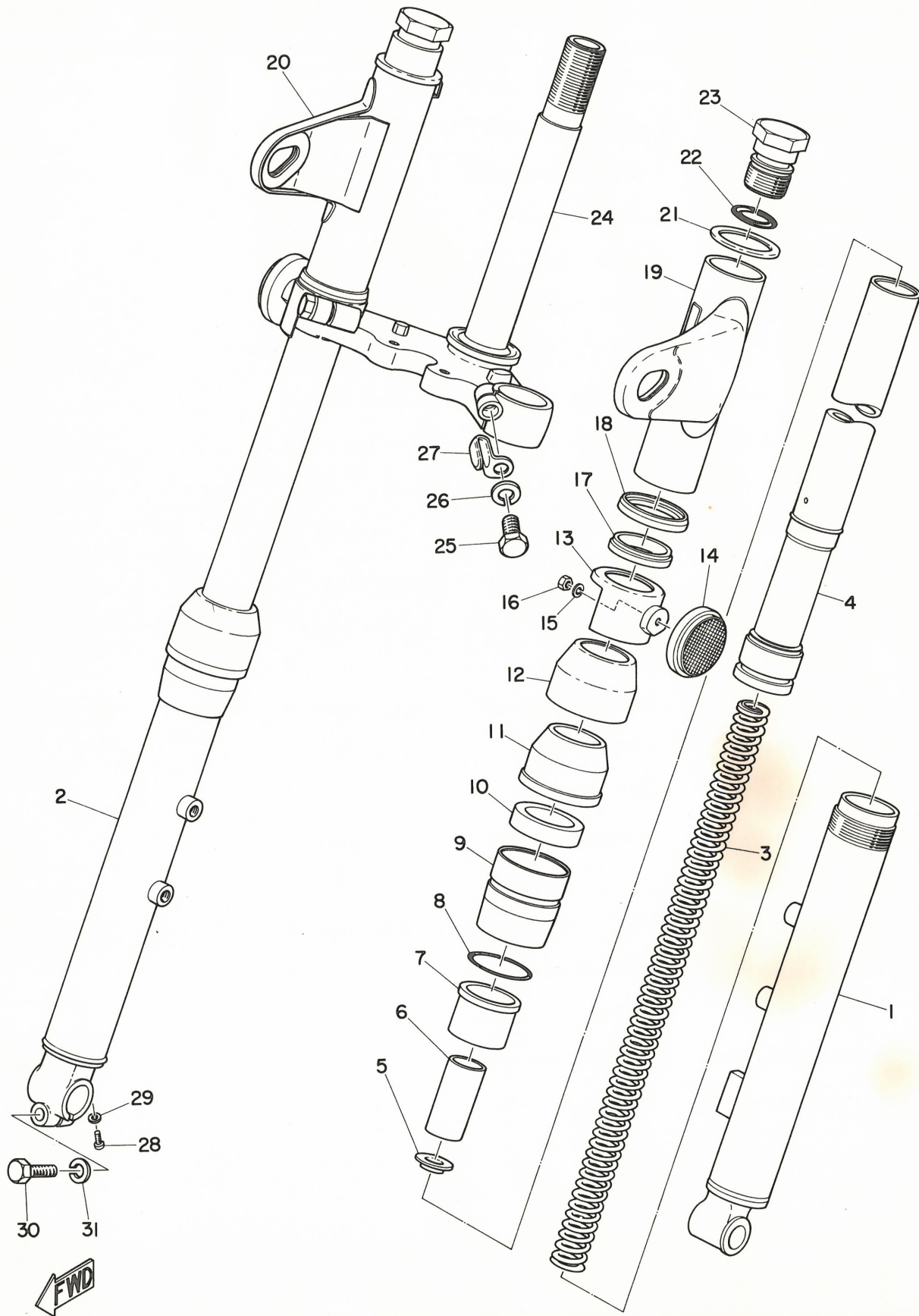
Fig. 2 FRONT FORK



# FRONT FORK

| Ref. No. | Part No.        | Description                 | Q'ty | Applicable<br>Machine No. | Remarks      |
|----------|-----------------|-----------------------------|------|---------------------------|--------------|
| 2- 0-1   | 256-23100-62-52 | FRONT FORK ASS'Y .....      | 1    |                           | Candy Orange |
| 2- 1     | 256-23126-61    | . TUBE, outer left .....    | 1    |                           |              |
| 2- 2     | 256-23136-61    | . TUBE, outer right .....   | 1    |                           |              |
| 2- 3     | 256-23141-61    | . SPRING, fork .....        | 2    |                           |              |
| 2- 4     | 256-23124-60    | . TUBE, inner .....         | 2    |                           |              |
| 2- 5     | 256-23142-60    | . SEAT, spring upper .....  | 2    |                           |              |
| 2- 6     | 256-23118-60    | . SPACER .....              | 2    |                           |              |
| 2- 7     | 168-23125-01    | . METAL, slide .....        | 2    |                           |              |
| 2- 8     | 156-23147-00    | . O-RING .....              | 2    |                           |              |
| 2- 9     | 256-23150-60    | . OUTER NUT COMP. ....      | 2    |                           |              |
| 2-10     | 278-23145-50    | . . OIL SEAL .....          | 2    |                           |              |
| 2-11     | 278-23144-50    | . SEAL, dust .....          | 2    |                           |              |
| 2-12     | 278-23148-50    | . COVER, dust seal .....    | 2    |                           |              |
| 2-13     | 256-23122-61    | . COVER, outer .....        | 2    |                           |              |
| 2-14     | 256-85111-00    | . REFLECTOR .....           | 2    |                           |              |
| 2-15     | 92901-05100     | . WASHER, spring .....      | 2    |                           |              |
| 2-16     | 98801-05100     | . NUT .....                 | 2    |                           |              |
| 2-17     | 256-23163-60    | . PACKING (lamp stay) ..... | 2    |                           |              |
| 2-18     | 256-23116-61    | . GUIDE, cover under .....  | 2    |                           |              |
| 2-19     | 256-23121-61-52 | . COVER, upper left .....   | 1    |                           | Candy Orange |
| 2-20     | 256-23131-61-52 | . COVER, upper right .....  | 1    |                           | Candy Orange |
| 2-21     | 168-23115-00    | . GUIDE, cover upper .....  | 2    |                           |              |
| 2-22     | 214-23114-00    | . PACKING .....             | 2    |                           |              |
| 2-23     | 256-23111-60    | . BOLT, cap .....           | 2    |                           |              |

Fig. 2 FRONT FORK

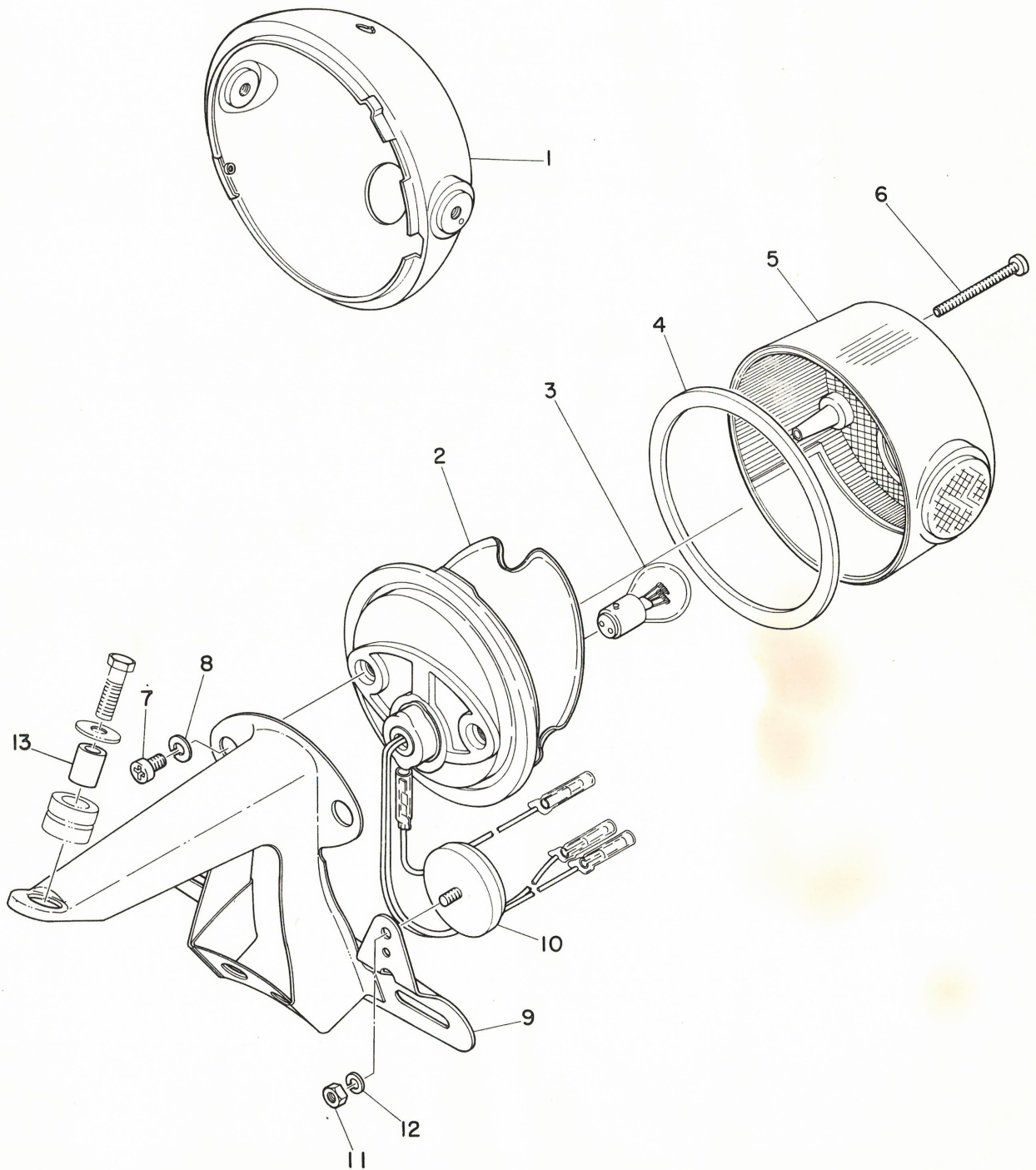




# FRONT FORK

| Ref. No. | Part No.        | Description                 | Q'ty | Applicable<br>Machine No. | Remarks |
|----------|-----------------|-----------------------------|------|---------------------------|---------|
| 2-24     | 256-23340-61-33 | . UNDER BRACKET COMP. ....  | 1    |                           |         |
| 2-25     | 122-23346-00    | . BOLT, under bracket ..... | 2    |                           |         |
| 2-26     | 92901-10100     | . WASHER, spring .....      | 2    |                           |         |
| 2-27     | 256-23318-60    | . HOLDER, wire .....        | 1    |                           |         |
| 2-28     | 122-23119-01    | . PLUG, drain .....         | 2    |                           |         |
| 2-29     | 122-23129-00    | . GAKSET, drain plug .....  | 2    |                           |         |
| 2-30     | 97201-08030     | . BOLT .....                | 1    |                           |         |
| 2-31     | 92901-08100     | . WASHER, spring .....      | 1    |                           |         |

Fig. 3 HEAD LAMP & TAIL LAMP



# HEAD LAMP & TAIL LAMP

| Ref. No. | Part No.        | Description                      | Q'ty | Applicable<br>Machine No. | Remarks      |
|----------|-----------------|----------------------------------|------|---------------------------|--------------|
| 3- 1     | 256-84330-60-52 | BODY ASS'Y .....                 | 1    |                           | Candy Orange |
| 3- 0-1   | 256-84710-61    | TAIL LAMP UNIT ASS'Y .....       | 1    |                           |              |
| 3- 2     | 256-84711-61    | . BASE, tail lamp .....          | 1    |                           |              |
| 3- 3     | 256-84714-60    | . BULB, tail lamp (12V 32/3CP) . | 1    |                           |              |
| 3- 4     | 275-84523-60    | . GASKET, tail lens .....        | 1    |                           |              |
| 3- 5     | 275-84521-60    | . LENS, tail lamp .....          | 1    |                           |              |
| 3- 6     | 275-84524-60    | . SCREW, lens fitting .....      | 3    |                           |              |
| 3- 7     | 92503-06010     | . SCREW, pan head .....          | 2    |                           |              |
| 3- 8     | 92901-06100     | . WASHER, spring .....           | 2    |                           |              |
| 3- 9     | 256-84751-61-93 | BRACKET, license .....           | 1    |                           |              |
| 3-10     | 278-85111-00    | REFLECTOR .....                  | 1    |                           |              |
| 3-11     | 98801-05100     | NUT .....                        | 2    |                           |              |
| 3-12     | 92901-05100     | WASHER, spring .....             | 2    |                           |              |
| 3-13     | 214-21633-00    | COLLAR, fender mount .....       | 1    |                           |              |



# NUMERICAL INDEX

| Ref No. | Parts No.       | Ref No. | Parts No.       | Ref No. | Parts No.   |
|---------|-----------------|---------|-----------------|---------|-------------|
| 2-28    | 122-23119-01    | 1- 3    | 256-27219-00    | 2-26    | 92901-10100 |
| 2-29    | 122-23129-00    | 4- 1    | 256-83310-71-93 | 2-30    | 97201-08030 |
| 2-25    | 122-23346-00    | 4- 6    | 256-83311-70    | 2-16    | 98801-05100 |
| 2- 8    | 156-23147-00    | 4-11    | 256-83316-00    | 3-11    | 98801-05100 |
| 2-21    | 168-23115-00    | 4- 1    | 256-83320-71-93 | 4- 7    | 98801-08100 |
| 2- 7    | 168-23125-01    | 4-10    | 256-83321-00    |         |             |
| 4- 3    | 183-83312-70    | 4- 2    | 256-83330-76-93 |         |             |
| 4- 5    | 183-83313-70    | 4-15    | 256-83336-01    |         |             |
| 4- 4    | 183-83333-71    | 4- 2    | 256-83340-76-93 |         |             |
| 4- 3    | 211-83332-75    | 4-16    | 256-83346-01    |         |             |
| 3-13    | 214-21633-00    | 4-12    | 256-83368-00    |         |             |
| 2-22    | 214-23114-00    | 4-13    | 256-83369-00    |         |             |
| 1- 6    | 256-15660-01    | 4-14    | 256-84313-02    |         |             |
| 1- 1    | 256-21110-01-33 | 3- 1    | 256-84330-60-52 |         |             |
| 1-12    | 256-21645-01    | 3- 0-1  | 256-84710-61    |         |             |
| 1- 9    | 256-21711-01-52 | 3- 2    | 256-84711-61    |         |             |
| 1-10    | 256-21721-01-52 | 3- 3    | 256-84714-60    |         |             |
| 1-11    | 256-21786-00-52 | 3- 9    | 256-84751-61-93 |         |             |
| 1- 8    | 256-22210-00-52 | 2-14    | 256-85111-00    |         |             |
| 2- 0-1  | 256-23100-62-52 | 4- 9    | 275-83359-00    |         |             |
| 2-23    | 256-23111-60    | 3- 5    | 275-84521-60    |         |             |
| 2-18    | 256-23116-61    | 3- 4    | 275-84523-60    |         |             |
| 2- 6    | 256-23118-60    | 3- 6    | 275-84524-60    |         |             |
| 2-19    | 256-23121-61-52 | 2-11    | 278-23144-50    |         |             |
| 2-13    | 256-23122-61    | 2-10    | 278-23145-50    |         |             |
| 2- 4    | 256-23124-60    | 2-12    | 278-23148-50    |         |             |
| 2- 1    | 256-23126-61    | 4-17    | 278-83350-70    |         |             |
| 2-20    | 256-23131-61-52 | 3-10    | 278-85111-00    |         |             |
| 2- 2    | 256-23126-61    | 4-18    | 92501-06010     |         |             |
| 2- 3    | 256-23141-61    | 3- 7    | 92503-06010     |         |             |
| 2- 5    | 256-23142-60    | 1- 5    | 92803-10700     |         |             |
| 2- 9    | 256-23150-60    | 2-15    | 92901-05100     |         |             |
| 2-17    | 256-23163-60    | 3-12    | 92901-05100     |         |             |
| 2-27    | 256-23318-60    | 3- 8    | 92901-06100     |         |             |
| 2-24    | 256-23340-61-33 | 4-19    | 92901-06100     |         |             |
| 1- 7    | 256-24110-00-02 | 2-31    | 92901-08100     |         |             |
| 1- 2    | 256-27212-01    | 4- 8    | 92901-08100     |         |             |
| 1-13    | 256-27213-09    | 1- 4    | 92901-10100     |         |             |



**YAMAHA MOTOR CO., LTD.**

**PRINTED IN JAPAN**  
**First edition, Aug., 1970**