



YAMAHA

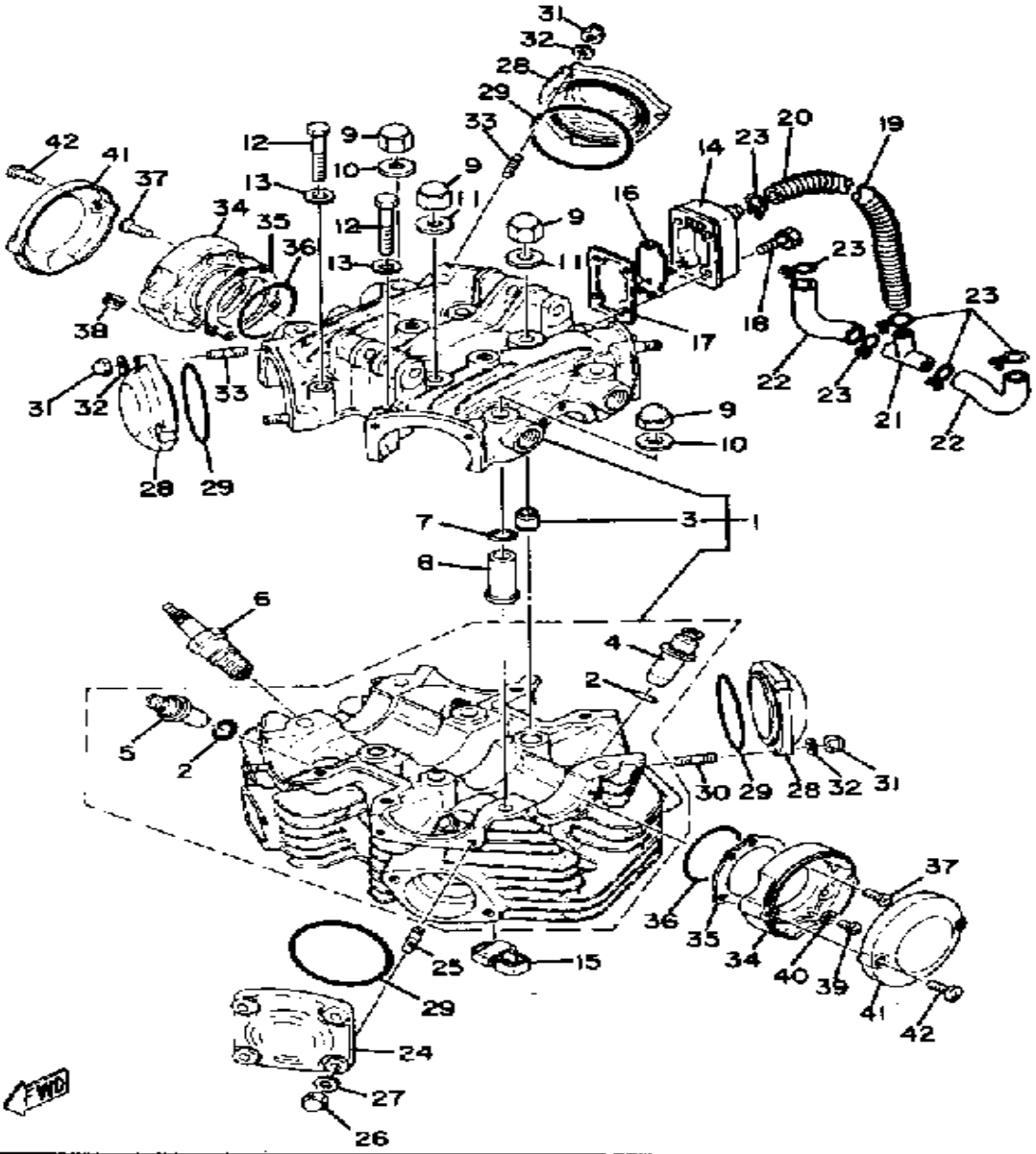
GENUINE

PARTS CATALOGUE

MOTORCYCLE

CYLINDER HEAD-CYLINDER HEAD COVE

Ref. No.	Part Number	Description	Qty	Remarks
1	(2M0-11110-00-00)	CYLINDER HEAD ASSEMBLY	1	
2	93210-15151-00	O-RING	4	
3	341-11133-11-00	GDE, INTK VLV 1 O/S	2	ALT. PART
	341-11133-11-00	GDE, INTK VLV 1 O/S	2	
4	341-11134-11-00	GDE, EXST VLV 1 O/S	2	ALT PART
	341-11134-11-00	GDE, EXST VLV 1 O/S	2	
5	99530-14016-00	PIN, DOWEL	2	
6	93210-12152-00	O-RING	4	
7	256-11199-00-00	SLEEVE, CYLINDER HD COVR	4	
8	90176-10008-00	NUT, CROWN	8	
9	90201-10131-00	WASHER, PLATE	4	
10	90210-10004-00	WASHER, SEAL	4	
11	97013-08060-00	BOLT (663)	4	
12	92990-08200-00	WASHER, PLAIN	4	
13	447-11186-00-00	COVER, CYLINDER.HEAD 2	3	
14	93210-62451-00	O-RING	3	
15	90116-06017-00	BOLT, STUD	3	M6-26L
16	90116-06238-00	BOLT, STUD	6	
17	92990-06600-00	WASHER, PLATE	9	
18	95303-06800-00	NUT (CROWN)	9	
19	447-11185-00-00	CVR, CYLINDER HD SIDE 1	1	
20	93210-62451-00	O-RING	1	
21	90116-08150-00	BOLT, STUD	4	
22	92901-08600-00	WASHER, PLATE	4	
23	95303-08800-00	NUT (CROWN) (95301-08800)	4	
24	93210-45150-00	O-RING	2	
25	256-11146-00-00	GASKET, BREAKER CVR	2	
26	256-11157-03-00	COVER, BREAKER 1	2	
27	92990-06200-00	WASHER, PLAIN	2	

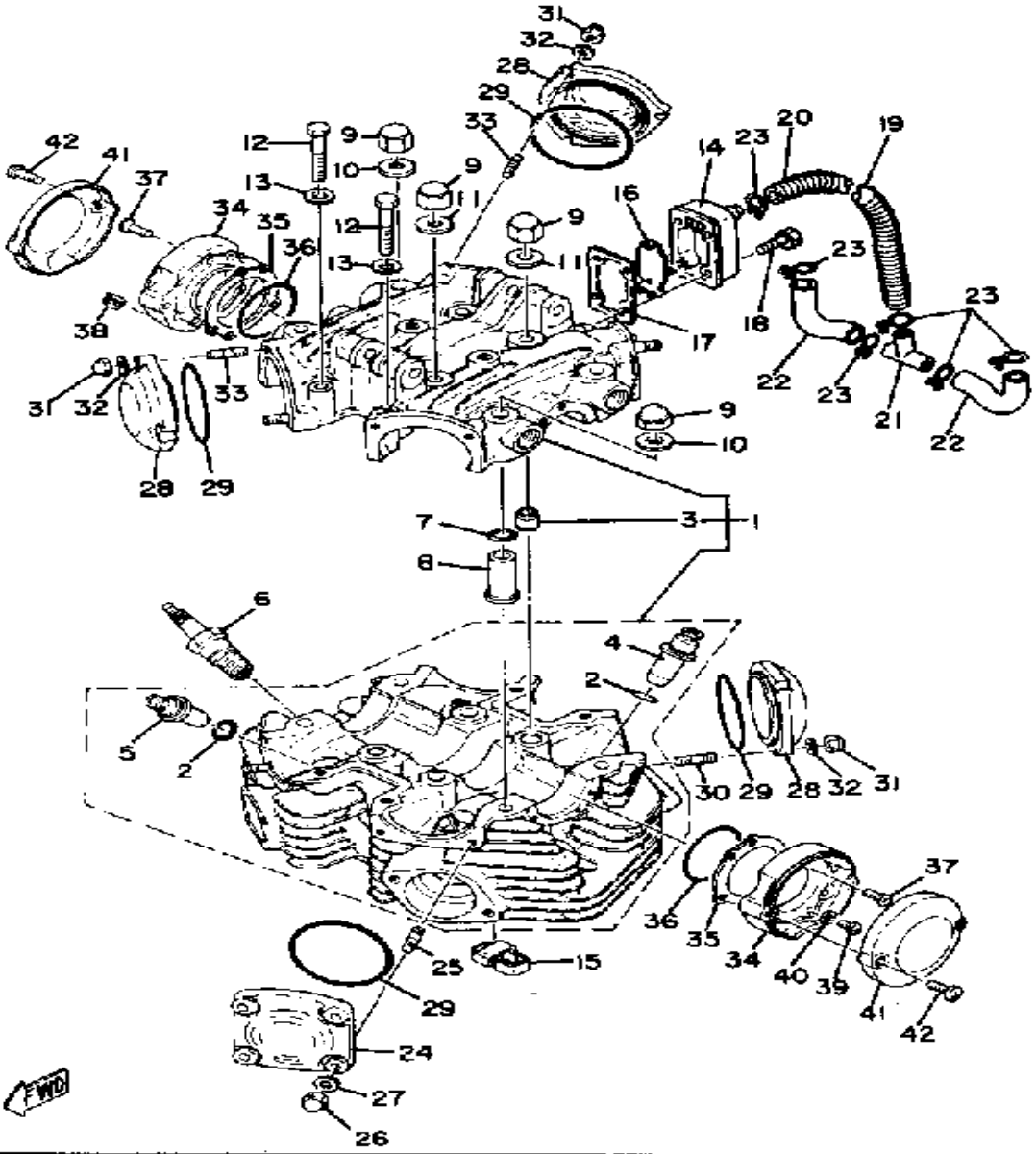


Spark Plug Type	NGK BP7ES or Champion NTY
Spark Plug Gap / Torque / Cap Ω	0.7 ~ 0.8mm / 2.0m·kg / 10K Ω
Cylinder Head Cover	8 x 1.25: 2.1 m·kg
Cylinder Head:	10 x 1.25: 3.7 m·kg
	6 x 1.0: 0.8 m·kg

CONTINUED ON NEXT FRAME ➤

CYLINDER HEAD-CYLINDER HEAD COVER

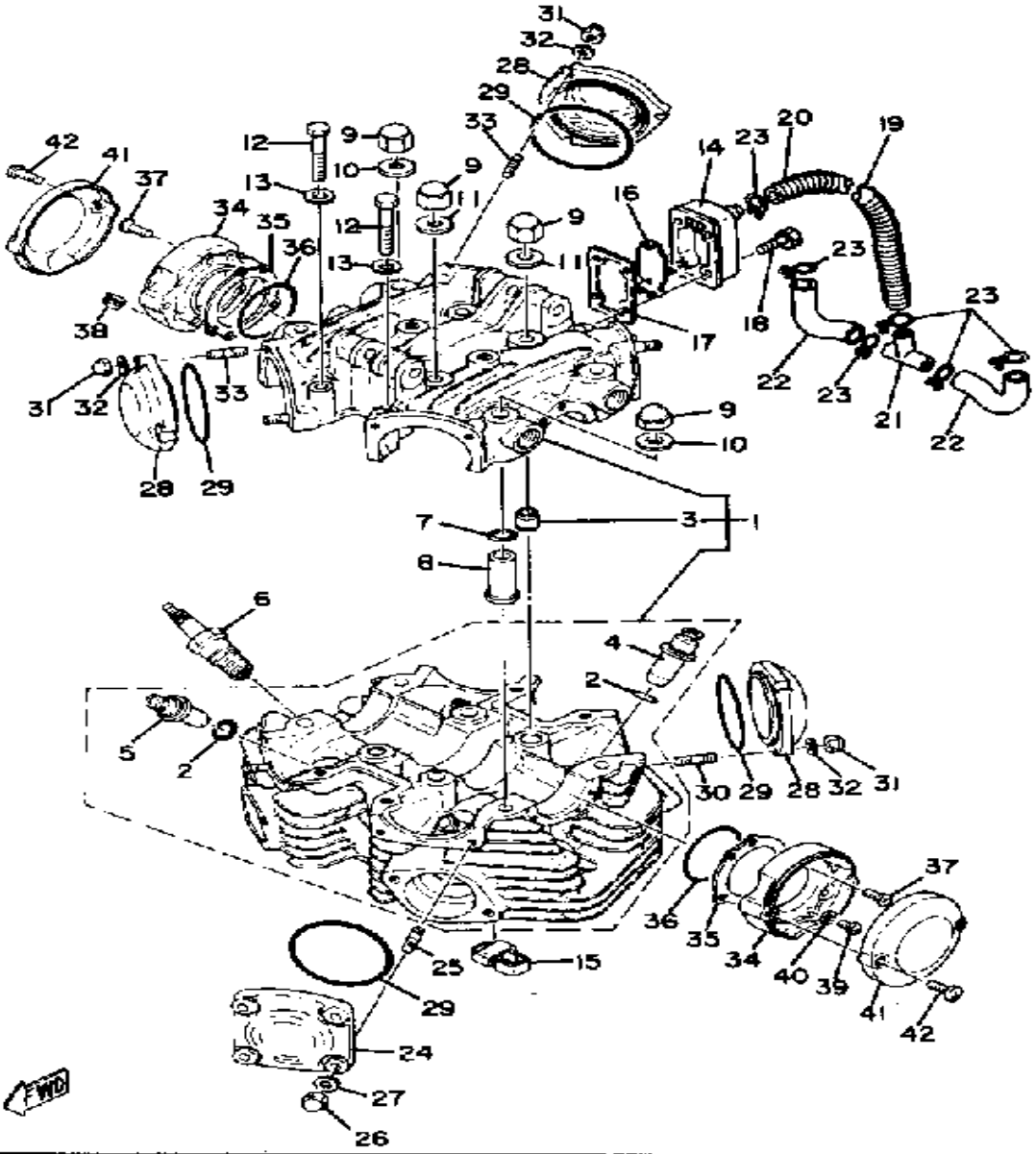
Ref. No.	Part Number	Description	Qty	Remarks
28	98503-06014-00	SCREW, PAN HEAD	2	
29	92990-06500-00	WASHER	6	
30	98701-06014-00	SCREW, FLAT HEAD	6	
31	256-11158-01-00	COVER, BREAKER 2	2	
33	90338-12044-00	PLUG, SPECL SHAPE	1	
34	CMP-N7YC0-00-00	CHAMPION N7YC 4PK	2	UR CHAMPION
	NGK-BP7ES-00-00	PLUG, SPARK (NGK BP-7ES)	2	U.R. NGK
35	584-11108-00-00	BREATHER COVER ASSEMBLY	1	
36	256-11169-01-00	GASKET, BRTHR COVER	1	
37	91316-06060-00	BOLT	4	
38	584-11166-00-00	PIPE, BREATHER 1	2	
39	90501-08046-00	SPRING, COMPRESSION	2	
40	90467-14015-00	CLIP	4	
41	(447-11135-00-00)	PLATE, BREATHER 3	1	



Spark Plug Type	NGK BP7ES or Champion N7Y
Spark Plug Gap / Torque / Cap Ω	0.7 ~ 0.8mm / 2.0m·kg / 10K Ω
Cylinder Head Cover	8 x 1.25: 2.1 m·kg
Cylinder Head:	10 x 1.25: 3.7 m·kg
	6 x 1.0: 0.8 m·kg

CYLINDER HEAD-CYLINDER HEAD COVE

Ref. No.	Part Number	Description	Qty	Remarks
1	(2M0-11110-00-00)	CYLINDER HEAD ASSEMBLY	1	
2	93210-15151-00	O-RING	4	
3	99530-14016-00	PIN, DOWEL	2	
4	341-11133-11-00	GDE, INTK VLV 1 O/S	2	
5	341-11134-11-00	GDE, EXST VLV 1 O/S	2	
6	CMP-N7YC0-00-00	CHAMPION N7YC 4PK	2	U.R.
	NGK-BP7ES-00-00	PLUG, SPARK (NGK BP-7ES)	2	U.R.
7	93210-12152-00	O-RING	4	
8	256-11199-00-00	SLEEVE, CYLINDER HD COVR	4	
9	90176-10008-00	NUT, CROWN	8	
10	90210-10004-00	WASHER, SEAL	4	
11	97013-08060-00	BOLT (663)	4	
12	92990-08200-00	WASHER, PLAIN	4	
13	447-11186-00-00	COVER, CYLINDER.HEAD 2	3	
14	93210-62451-00	O-RING	3	
15	90116-06017-00	BOLT, STUD	3	M6-26L
16	90116-06238-00	BOLT, STUD	6	
17	92990-06600-00	WASHER, PLATE	9	
18	95303-06800-00	NUT (CROWN)	9	
19	447-11185-00-00	CVR, CYLINDER HD SIDE 1	1	
20	93210-62451-00	O-RING	1	
21	90116-08150-00	BOLT, STUD	4	
22	92990-08200-00	WASHER, PLAIN	4	
23	95303-08800-00	NUT (CROWN) (95301-08800)	4	
24	93210-45150-00	O-RING	2	
25	256-11146-00-00	GASKET, BREAKER CVR	2	
26	256-11157-03-00	COVER, BREAKER 1	2	
27	92990-06200-00	WASHER, PLAIN	2	
28	98503-06014-00	SCREW, PAN HEAD	2	

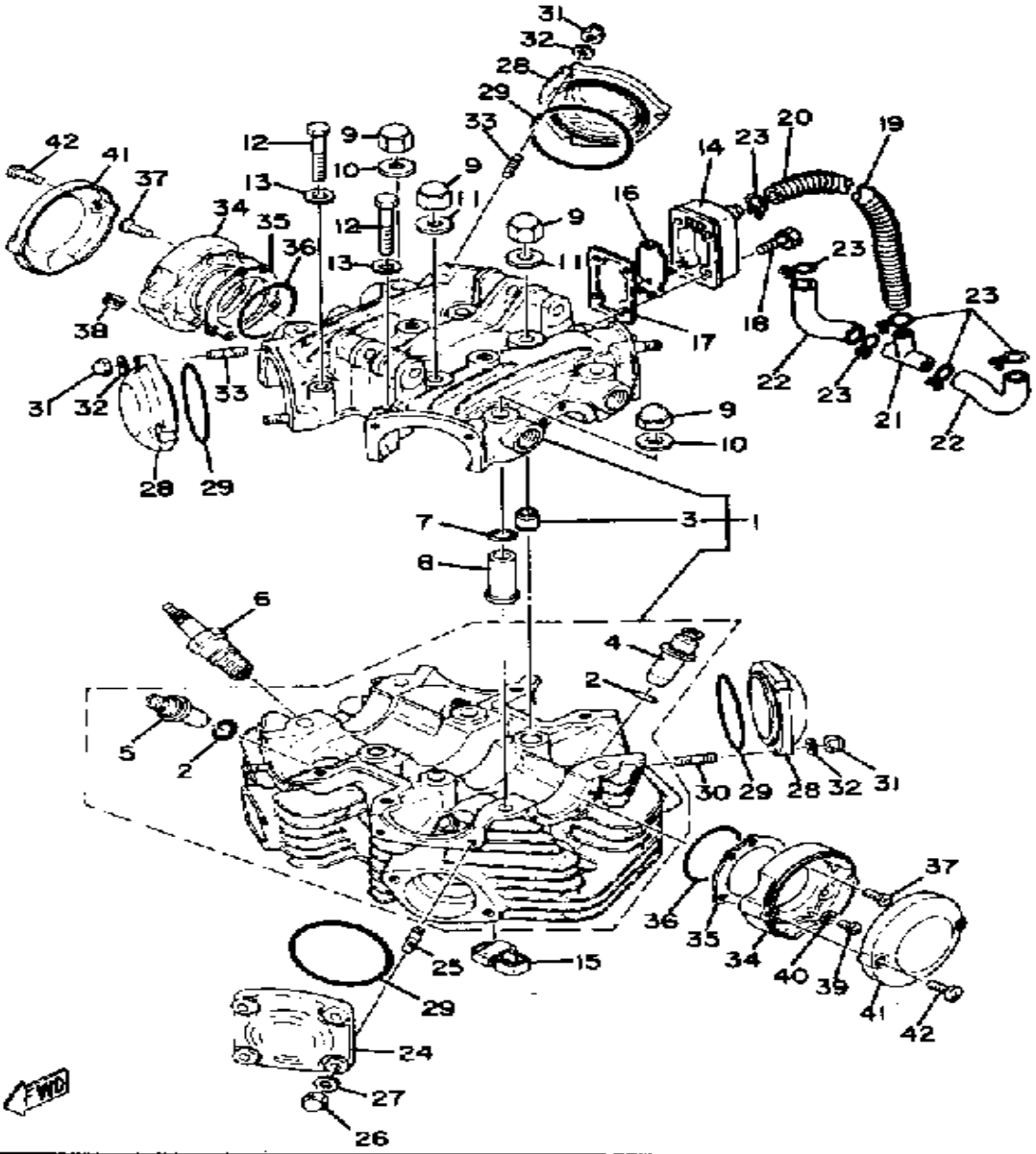


Spark Plug Type	NGK BP7ES or Champion N7Y
Spark Plug Gap / Torque / Cap Ω	0.7 ~ 0.8mm / 2.0m·kg / 10K Ω
Cylinder Head Cover	8 x 1.25: 2.1 m·kg
Cylinder Head:	10 x 1.25: 3.7 m·kg
	6 x 1.0: 0.8 m·kg

CONTINUED ON NEXT FRAME ➤

CYLINDER HEAD-CYLINDER HEAD COVER

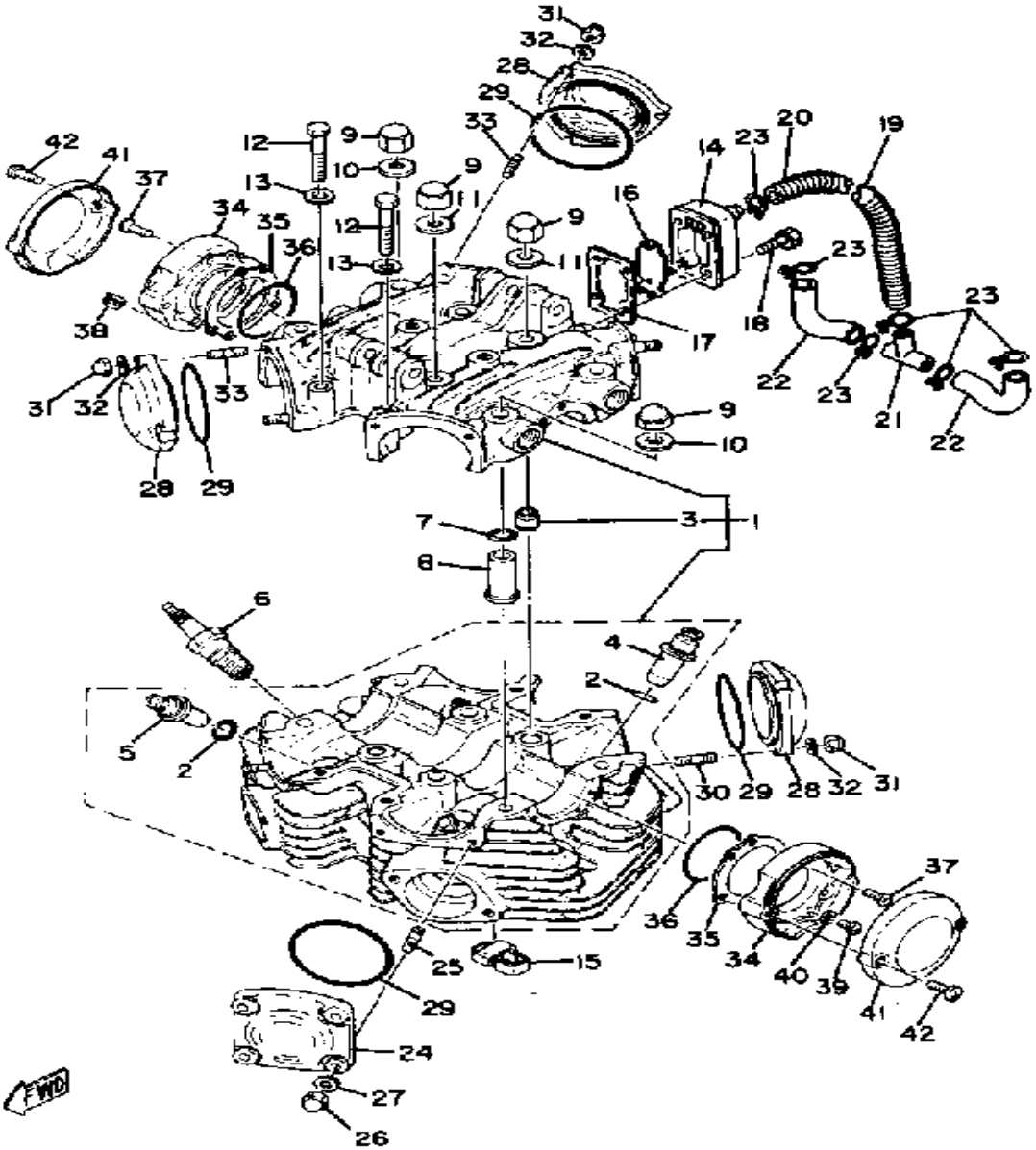
Ref. No.	Part Number	Description	Qty	Remarks
29	92990-06500-00	WASHER	6	
30	98701-06014-00	SCREW, FLAT HEAD	6	
31	256-11158-01-00	COVER, BREAKER 2	2	
32	98980-06020-00	SCREW, BIND	4	
33	90338-12044-00	PLUG, SPECL SHAPE	1	
34	CMP-N7YC0-00-00	CHAMPION N7YC 4PK	2	UR CHAMPION
	NGK-BP7ES-00-00	PLUG, SPARK (NGK BP-7ES)	2	U.R.
35	584-11108-00-00	BREATHER COVER ASSEMBLY	1	
36	256-11169-01-00	GASKET, BRTHR COVER	1	
37	91316-06060-00	BOLT	4	
38	584-11166-00-00	PIPE, BREATHER 1	2	
39	90501-08046-00	SPRING, COMPRESSION	2	
40	90467-14015-00	CLIP	4	
41	(3G1-W0001-90-00)	GASKT KIT TE XS6 0	1	SEE GRID K-1 FOR KIT COMP PRTS
	(447-11135-00-00)	PLATE, BREATHER 3	1	



Spark Plug Type	NGK BP7ES or Champion N7Y
Spark Plug Gap / Torque / Cap Ω	0.7 ~ 0.8mm / 2.0m·kg / 10K Ω
Cylinder Head Cover	8 x 1.25: 2.1 m·kg
Cylinder Head:	10 x 1.25: 3.7 m·kg
	6 x 1.0: 0.8 m·kg

CYLINDER HEAD-CYLINDER HEAD COVER

Ref. No.	Part Number	Description	Qty	Remarks
1	(2M0-11110-00-00)	CYLINDER HEAD ASSEMBLY	1	
2	93210-15151-00	. O-RING	4	
3	99530-14016-00	. PIN, DOWEL	2	
4	341-11133-11-00	GDE, INTK VLV 1 O/S	2	
5	341-11134-11-00	. GDE, EXST VLV 1 O/S	2	
6	CMP-N7YC0-00-00	CHAMPION N7YC 4PK	2	U.R.
	NGK-BP7ES-00-00	PLUG, SPARK (NGK BP-7ES)	2	U.R.
7	93210-12152-00	O-RING	4	
8	256-11199-00-00	SLEEVE, CYLINDER HD COVR	4	
9	90176-10008-00	NUT, CROWN	8	
10	90210-10004-00	WASHER, SEAL	4	
11	90201-10131-00	WASHER, PLATE	4	
12	97013-08060-00	BOLT (663)	4	
13	92990-08200-00	WASHER, PLAIN	4	
14	3G1-11168-01-00	COVER, BREATHER	1	
15	(447-11135-00-00)	PLATE, BREATHER 3	1	
16	3G1-11165-00-00	PLATE, BREATHER	1	
17	256-11169-01-00	GASKET, BRTHR COVER	1	
18	91316-06025-00	BOLT	4	
19	90445-16416-00	HOSE	1	
20	90501-08545-00	SPRING, COMPRESSION	1	
21	90413-13006-00	WAY, 3	1	
22	3G1-11166-00-00	PIPE, BREATHER 1	2	
23	90467-14015-00	CLIP	6	
24	447-11185-00-00	CVR, CYLINDER HD SIDE 1	1	
25	90116-08150-00	BOLT, STUD	4	
26	95303-08800-00	NUT (CROWN) (95301-08800)	4	
27	92901-08600-00	WASHER, PLATE	4	
28	447-11186-00-00	COVER, CYLINDER.HEAD 2	3	

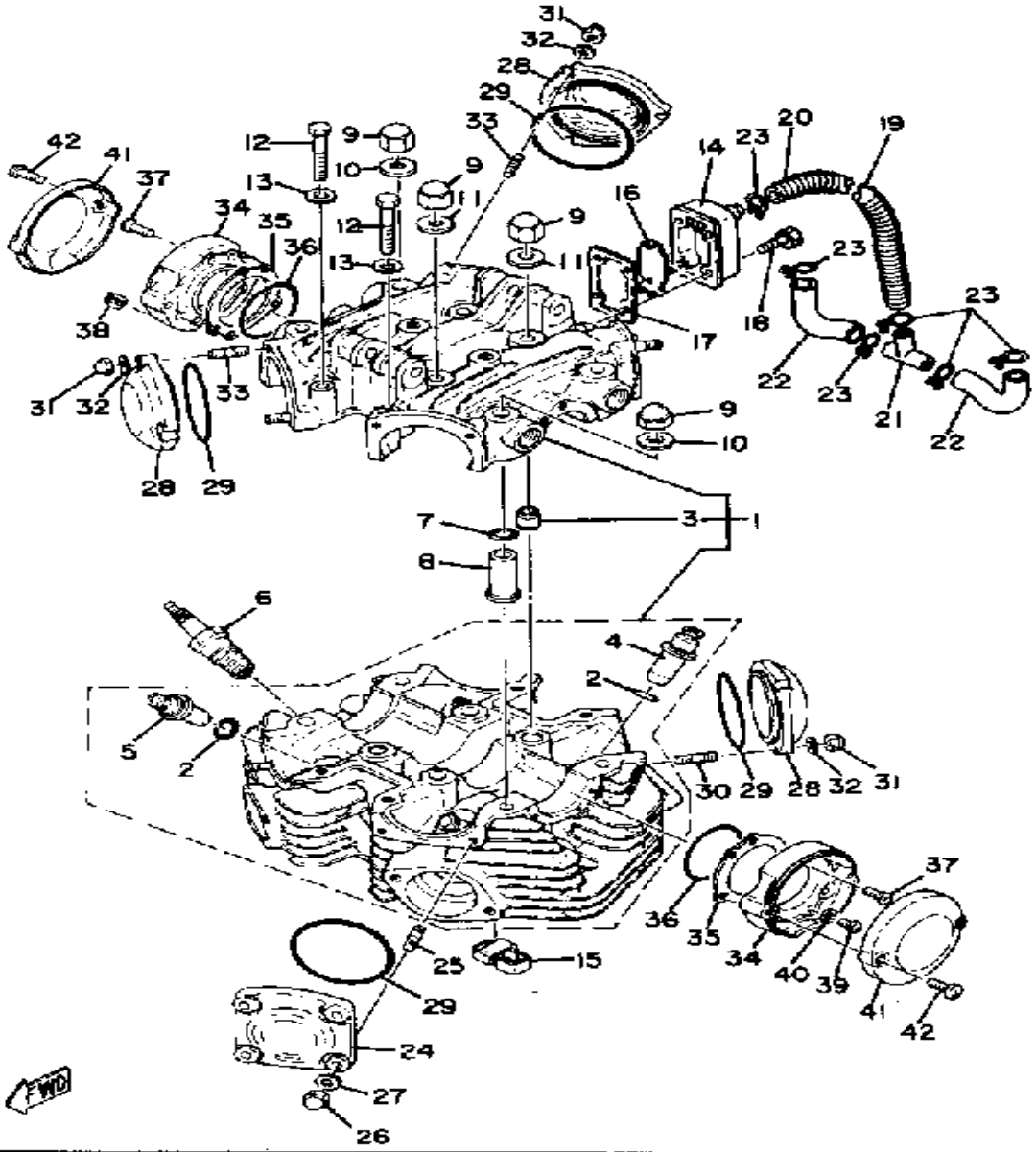


Spark Plug Type	NGK BP7ES or Champion N7Y
Spark Plug Gap / Torque / Cap Ω	0.7 ~ 0.8mm / 2.0m·kg / 10K Ω
Cylinder Head Cover	8 x 1.25: 2.1 m·kg
Cylinder Head:	10 x 1.25: 3.7 m·kg
	6 x 1.0: 0.8 m·kg

CONTINUED ON NEXT FRAME ➤

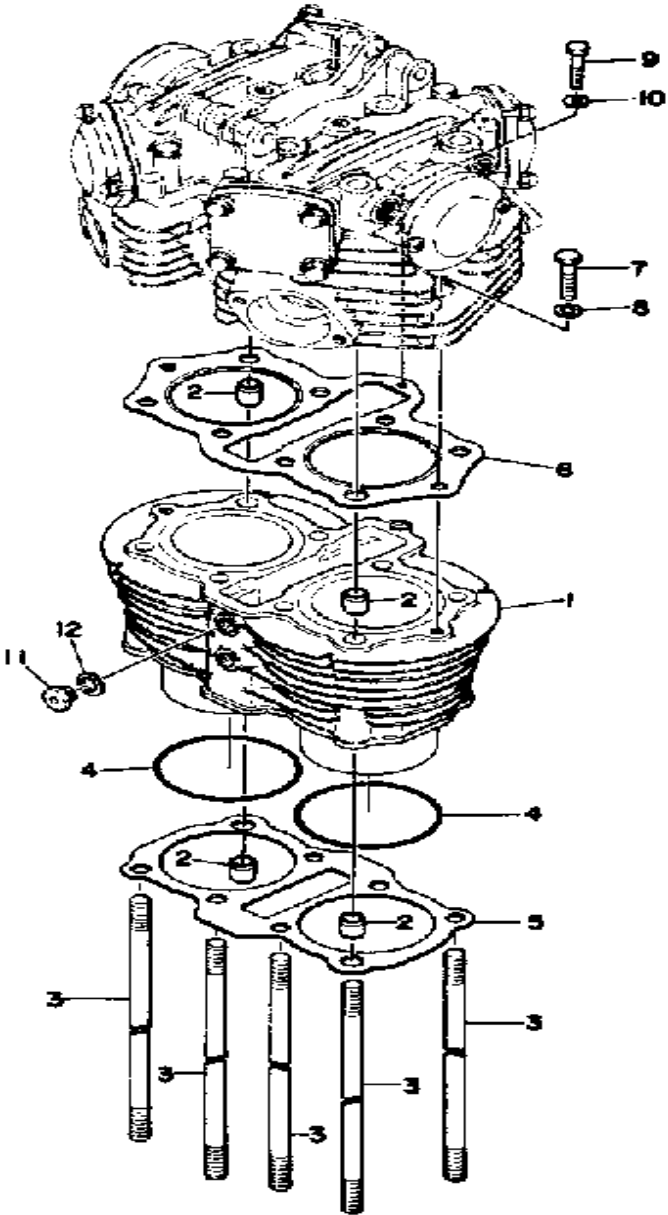
CYLINDER HEAD-CYLINDER HEAD COVER

Ref. No.	Part Number	Description	Qty	Remarks
29	93210-62451-00	O-RING	4	
30	90116-06017-00	BOLT, STUD	3	
31	95303-06800-00	NUT (CROWN)	9	
32	92901-06600-00	WASHER, PLATE	9	
33	90116-06238-00	BOLT, STUD	6	
34	256-11157-03-00	COVER, BREAKER 1	2	
35	256-11146-00-00	GASKET, BREAKER CVR	2	
36	93210-45150-00	O-RING	2	
37	98701-06014-00	SCREW, FLAT HEAD	6	
38	90338-12044-00	PLUG, SPECL SHAPE	2	
39	98503-06014-00	SCREW, PAN HEAD	2	
40	92990-06200-00	WASHER, PLAIN	2	
41	256-11158-01-00	COVER, BREAKER 2	2	
42	98980-06020-00	SCREW, BIND	4	



Spark Plug Type	NGK BP7ES or Champion NTY
Spark Plug Gap / Torque / Cap Ω	0.7 ~ 0.8mm / 2.0m·kg / 10K Ω
Cylinder Head Cover	8 x 1.25: 2.1 m·kg
Cylinder Head:	10 x 1.25: 3.7 m·kg
	6 x 1.0: 0.8 m·kg

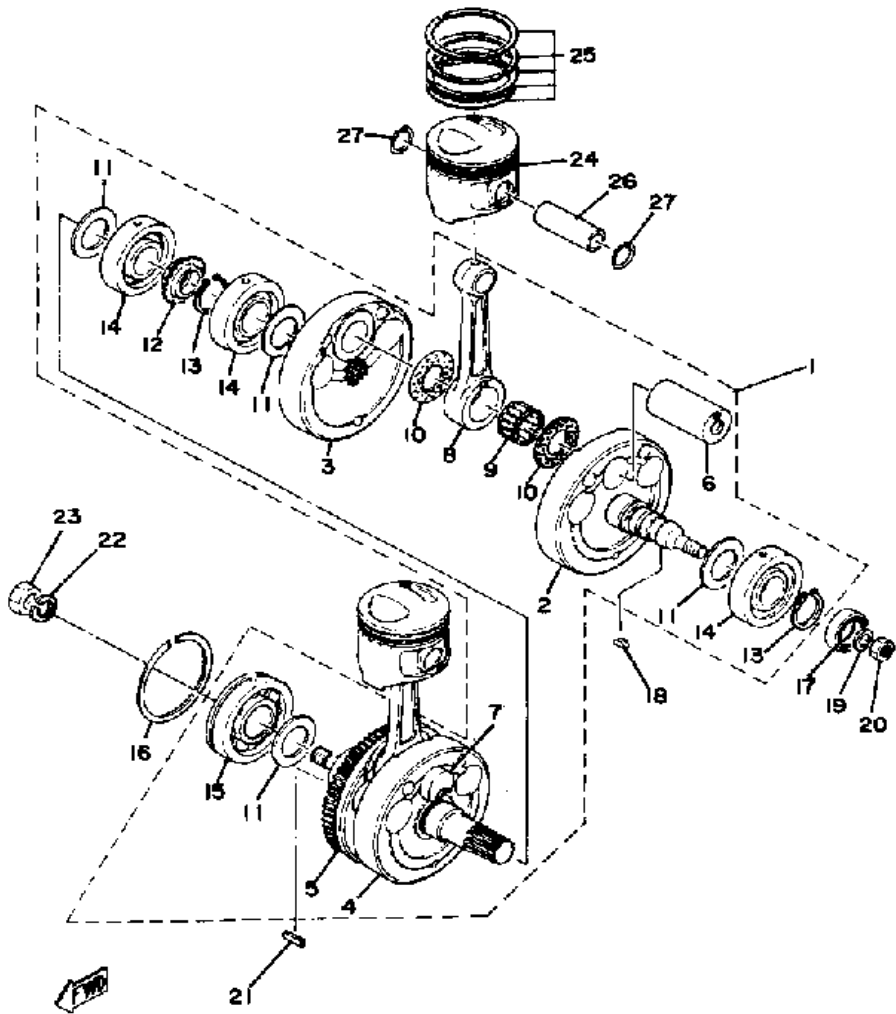
CYLINDER



Ref. No.	Part Number	Description	Qty	Remarks
1	(2M0-11310-00-00)	CYLINDER	1	
2	99530-14016-00	PIN, DOWEL	4	
3	90116-10108-00	BOLT, STUD	8	M10-280L
4	93210-81731-00	O-RING	2	
5	256-11351-01-00	GASKET, CYLINDER	1	
6	306-11181-09-00	GASKET, CYLH 1	1	
7	97313-08035-00	BOLT, HEXAGON	2	
8	92990-08200-00	WASHER, PLAIN	2	
9	97013-06035-00	BOLT	1	
10	92990-06200-00	WASHER, PLAIN	1	
11	256-11395-02-00	HOLDER	2	
12	90430-11033-00	GASKET	2	

ENGINE TYPE	4-stroke, SOHC, air-cooled
Bore/Stroke/Number Cylinders/Displacement (cc)	75mm / 74mm / 2 / 663cc
Compression Ratio/Compression Pressure min. ~ max.	8.5:1 / 128~156 psi

CRANKSHAFT-PISTON

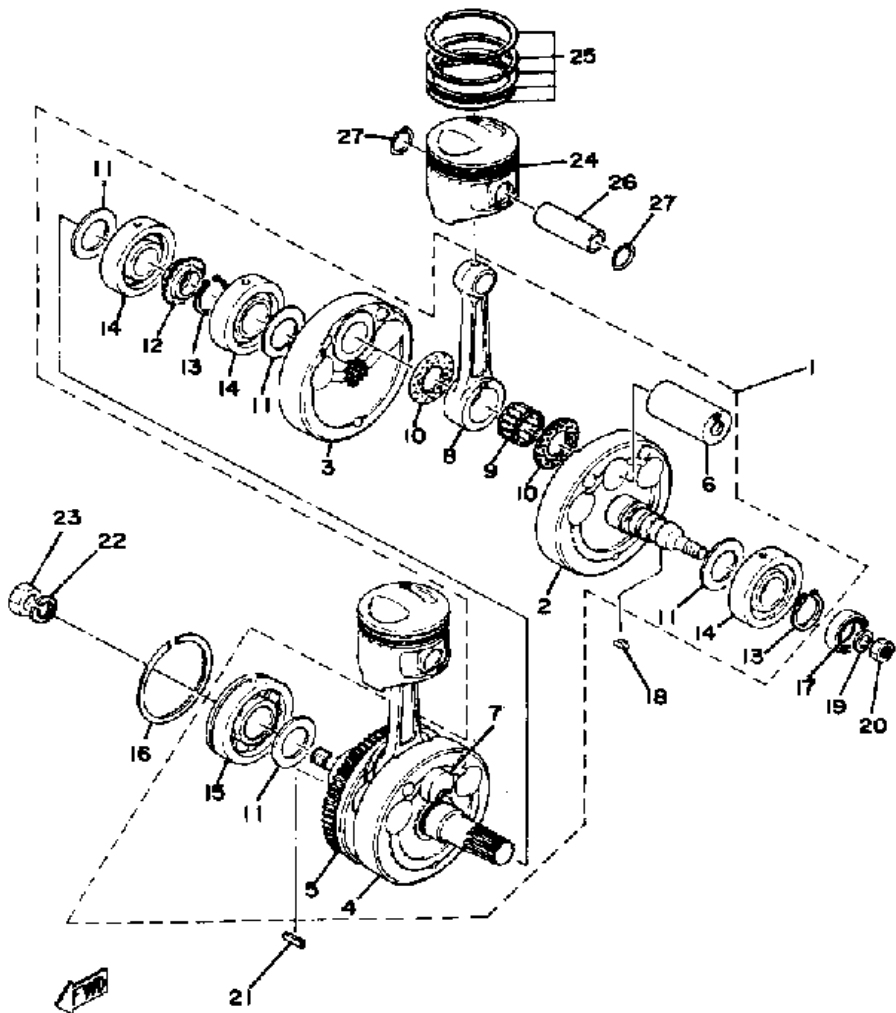


Piston Skirt Clearance new/max.	0.050 ~ 0.055mm / 0.1mm
Ring End Gap top/2nd/3rd	0.2 ~ 0.4mm / 0.2 ~ 0.4mm / 0.3 ~ 0.9mm

Ref. No.	Part Number	Description	Qty	Remarks
1	447-11400-01-00	CRANKSHAFT ASSEMBLY	1	
2	(256-11412-01-00)	CRANK 1	1	
3	(256-11422-01-00)	CRANK 2	1	
4	(256-11432-02-00)	CRANK 3	1	
5	(306-11442-03-00)	CRANK 4	1	
6	447-11651-00-00	. ROD, CONNECTING	2	
7	93310-62660-00	. BEARING, CYLINDER.# 0	2	
8	90209-26014-00	. WASHER, SPEC'L SHAP	4	
9	306-11681-00-00	. PIN, CRANK 1	1	
10	306-11681-00-00	. PIN, CRANK 1	1	
11	256-11561-00-00	. SHIM, CRANK 1	4	
12	93390-00003-00	. BEARING, CYLINDER. # 0	3	
13	93410-32052-00	. CIRCLIP	2	
14	447-11549-01-00	. SPROCKET, CAM CHAIN	1	
15	93306-30604-00	. BEARING	1	
16	(447-11630-00-00)	PISTON KIT STD	1	
	(447-11630-10-00)	PISTON KIT 1ST	1	ALT. PART
	(447-11630-20-00)	PISTON KIT 2ND	1	ALT. PART
	(447-11630-30-00)	PISTON KIT 3RD	1	ALT. PART
	(447-11630-40-00)	PISTON KIT 4TH	1	ALT. PART
	447-11631-01-96	PISTON STD (447-11631-01-97)	2	
	447-11635-01-00	PISTON 1 O/S 0.5	2	ALT. PART
	447-11636-01-00	PISTON 2 O/S 0.0	2	ALT. PART
	447-11637-01-00	PISTON 3 O/S 0.5	2	ALT. PART
	447-11638-01-00	PISTON 4 O/S 1.0	2	ALT. PART
17	447-11610-00-00	PISTON RINGSET STD	2	
	447-11610-10-00	PISTON RINGSET 1ST	2	ALT. PART
	447-11610-20-00	PISTON RINGSET 2ND	2	ALT. PART
	447-11610-30-00	PISTON RINGSET 3RD	2	ALT. PART

CONTINUED ON NEXT FRAME ➤

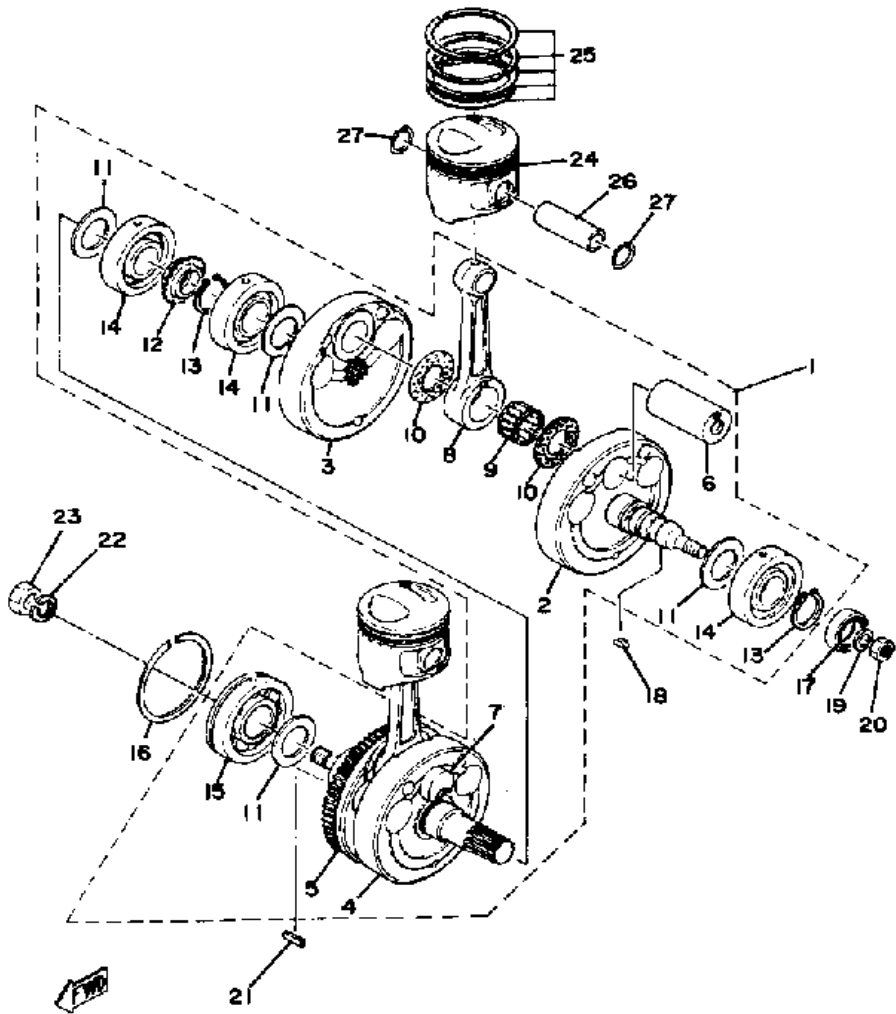
CRANKSHAFT-PISTON



Ref. No.	Part Number	Description	Qty	Remarks
17	447-11610-40-00	PISTON RINGSET 4TH	2	ALT. PART
18	447-11633-00-00	PIN, PISTON	2	
19	93450-22027-00	CIRCLIP	4	
20	93605-12069-00	PIN, DOWEL	4	
21	93102-25121-00	OIL SEAL, SD-TYPE	1	
22	92901-12100-00	WASHER, SPRING	1	
23	90170-12064-00	NUT, HEXAGON	1	
24	90280-04005-00	KEY, WOODRUFF	1	
25	93440-78011-00	CIRCLIP, OUTER	1	
26	(256-16111-00-00)	GEAR, PRI DRIVE	1	
27	90201-16579-00	WASHER, PLATE	1	
28	(256-13324-01-00)	GEAR, PUMP DRIVE	1	
29	92901-14100-00	WASHER, SPRING	1	
30	90170-14076-00	NUT, HEXAGON	1	
31	93603-17070-00	PIN, DOWEL	1	
32	90282-07023-00	KEY, STRAIGHT	1	

Piston Skirt Clearance new/max.	0.050 ~ 0.055mm / 0.1mm
Ring End Gap top/2nd/3rd	0.2 ~ 0.4mm / 0.2 ~ 0.4mm / 0.3 ~ 0.9mm

CRANKSHAFT-PISTON

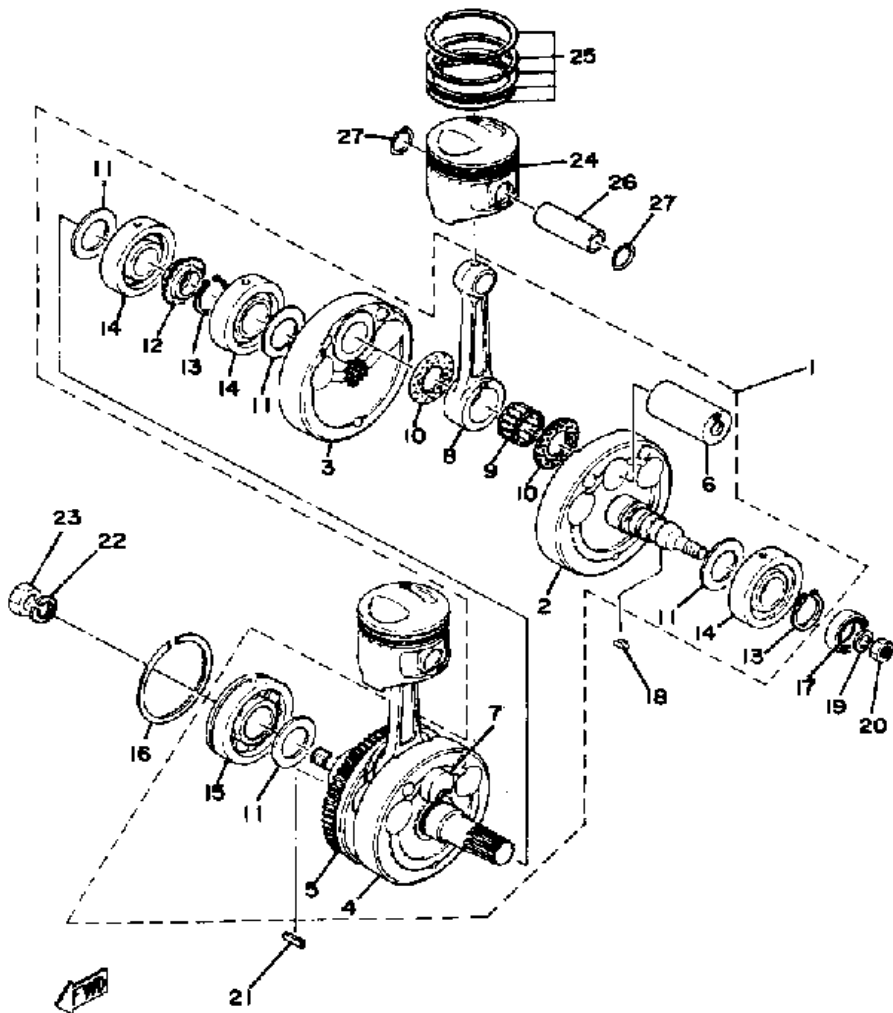


Piston Skirt Clearance new/max.	0.050 ~ 0.055mm / 0.1mm
Ring End Gap top/2nd/3rd	0.2 ~ 0.4mm / 0.2 ~ 0.4mm / 0.3 ~ 0.9mm

Ref. No.	Part Number	Description	Qty	Remarks
1	447-11400-01-00	CRANKSHAFT ASSEMBLY	1	
2	(256-11412-01-00)	CRANK 1	1	
3	(256-11422-01-00)	CRANK 2	1	
4	(256-11432-02-00)	CRANK 3	1	
5	(306-11442-03-00)	CRANK 4	1	
6	306-11681-00-00	. PIN, CRANK 1	1	
7	306-11681-00-00	. PIN, CRANK 1	1	
8	447-11651-00-00	. ROD, CONNECTING	2	
9	93310-62660-00	. BEARING, CYLINDER.# 0	2	
10	90209-26014-00	. WASHER, SPEC'L SHAP	4	
11	256-11561-00-00	. SHIM, CRANK 1	4	
12	447-11549-01-00	. SPROCKET, CAM CHAIN	1	
13	93410-32052-00	. CIRCLIP	2	
14	93390-00003-00	. BEARING, CYLINDER. # 0	3	
15	93306-30604-00	. BEARING	1	
16	93440-78011-00	CIRCLIP, OUTER	1	
17	93102-25121-00	OIL SEAL, SD-TYPE	1	
18	90280-04005-00	KEY, WOODRUFF	1	
19	92901-12100-00	WASHER, SPRING	1	
20	90170-12064-00	NUT, HEXAGON	1	
21	90282-07023-00	KEY, STRAIGHT	1	
22	92901-14100-00	WASHER, SPRING	1	
23	90170-14076-00	NUT, HEXAGON	1	
24	447-11631-01-96	PISTON STD (447-11631-01-97)	2	
	447-11635-01-00	PISTON 1 O/S 0.5	2	ALT. PART
	447-11636-01-00	PISTON 2 O/S 0.0	2	ALT. PART
	447-11637-01-00	PISTON 3 O/S 0.5	2	ALT. PART
	447-11638-01-00	PISTON 4 O/S 1.0	2	ALT. PART
25	447-11610-00-00	PISTON RINGSET STD	2	STD

CONTINUED ON NEXT FRAME ➤

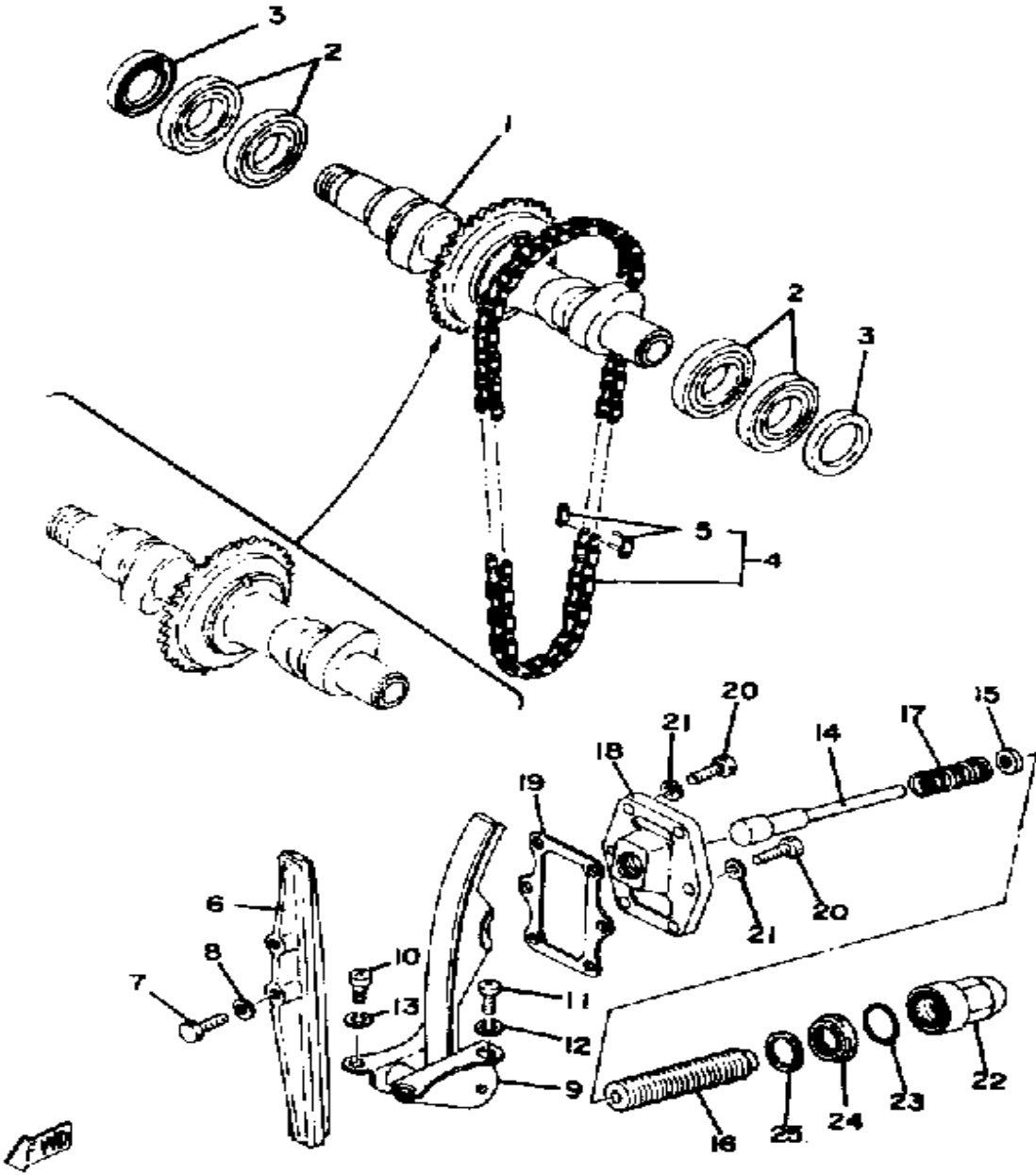
CRANKSHAFT-PISTON



Ref. No.	Part Number	Description	Qty	Remarks
25	447-11610-10-00	PISTON RINGSET 1ST	2	ALT. PART
	447-11610-20-00	PISTON RINGSET 2ND	2	ALT. PART
	447-11610-30-00	PISTON RINGSET 3RD	2	ALT. PARTS
	447-11610-40-00	PISTON RINGSET 4TH	2	ALT. PART
26	447-11633-00-00	PIN, PISTON	2	
27	93450-22027-00	CIRCLIP	4	

Piston Skirt Clearance new/max.	0.050 ~ 0.055mm / 0.1mm
Ring End Gap top/2nd/3rd	0.2 ~ 0.4mm / 0.2 ~ 0.4mm / 0.3 ~ 0.9mm

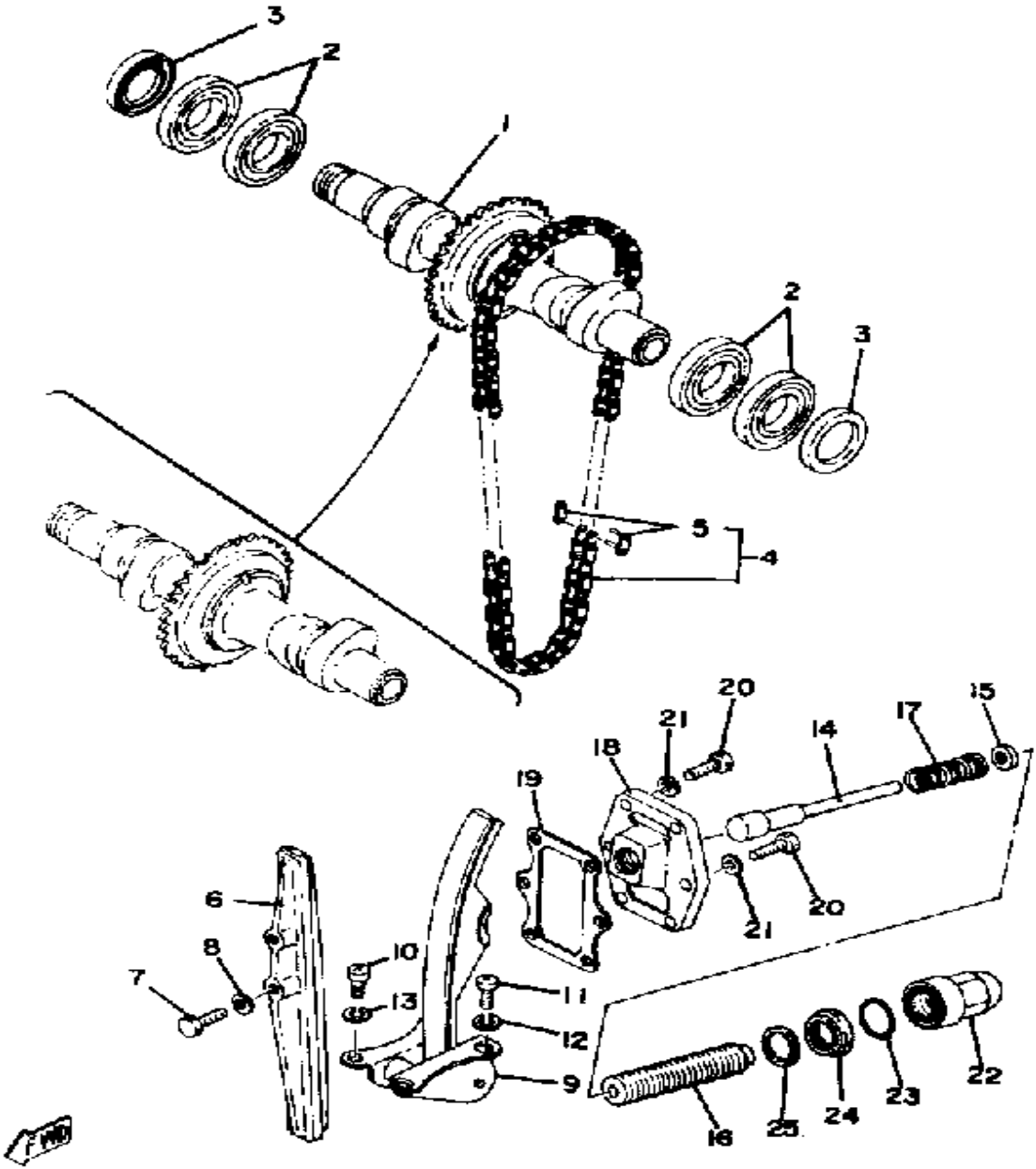
CAMSHAFT-CHAIN TENSIONER



Ref. No.	Part Number	Description	Qty	Remarks
1	447-12170-00-00	CAMSHAFT ASSEMBLY 1	1	
2	90386-12093-00	. BUSH	2	
3	256-11155-00-00	. SEAL, LABYRINTH	2	
4	93316-00503-00	BEARING, CYLINDER.#16 (93316-00504)	4	
5	93101-25044-00	OIL SEAL, S-TYPE	2	
6	256-11156-00-00	SHAFT, BREAKER	1	
7	93603-07073-00	PIN, DOWEL	3	
8	95380-06600-00	NUT, HEXAGON	2	
9	92995-06100-00	WASHER, SPRING	2	
10	447-12220-00-00	GUIDE, STOPPER 2	1	
11	90149-06009-00	SCREW, SPEC'L SHAPE	2	
12	98503-06014-00	SCREW, PAN HEAD	2	
14	306-12213-02-00	GASKET, TENSNR CASE	1	
	92995-06100-00	WASHER, SPRING	4	
15	584-12211-00-00	HOLDER, TENSIONER	1	
16	97023-06020-00	BOLT (3XF)	6	
17	92990-06200-00	WASHER, PLAIN	6	
18	341-12217-03-00	ROD, CHN TENSIONER	1	
19	90501-14095-00	SPRING, COMPRESSION	1	
20	341-12232-01-00	DAMPER	1	
21	(99999-01144-00)	BOLT (3G1)	1	
	2H0-12232-00-00	. DAMPER	1	
	90109-18580-00	. BOLT	1	
22	93210-21190-00	O-RING	1	SE 114241-
	93210-22366-00	O-RING	1	SE -114240
23	90176-18021-00	NUT, CROWN	1	
24	256-12231-01-00	GUIDE, STOPPER 1	1	
25	90430-06014-00	GASKET	2	

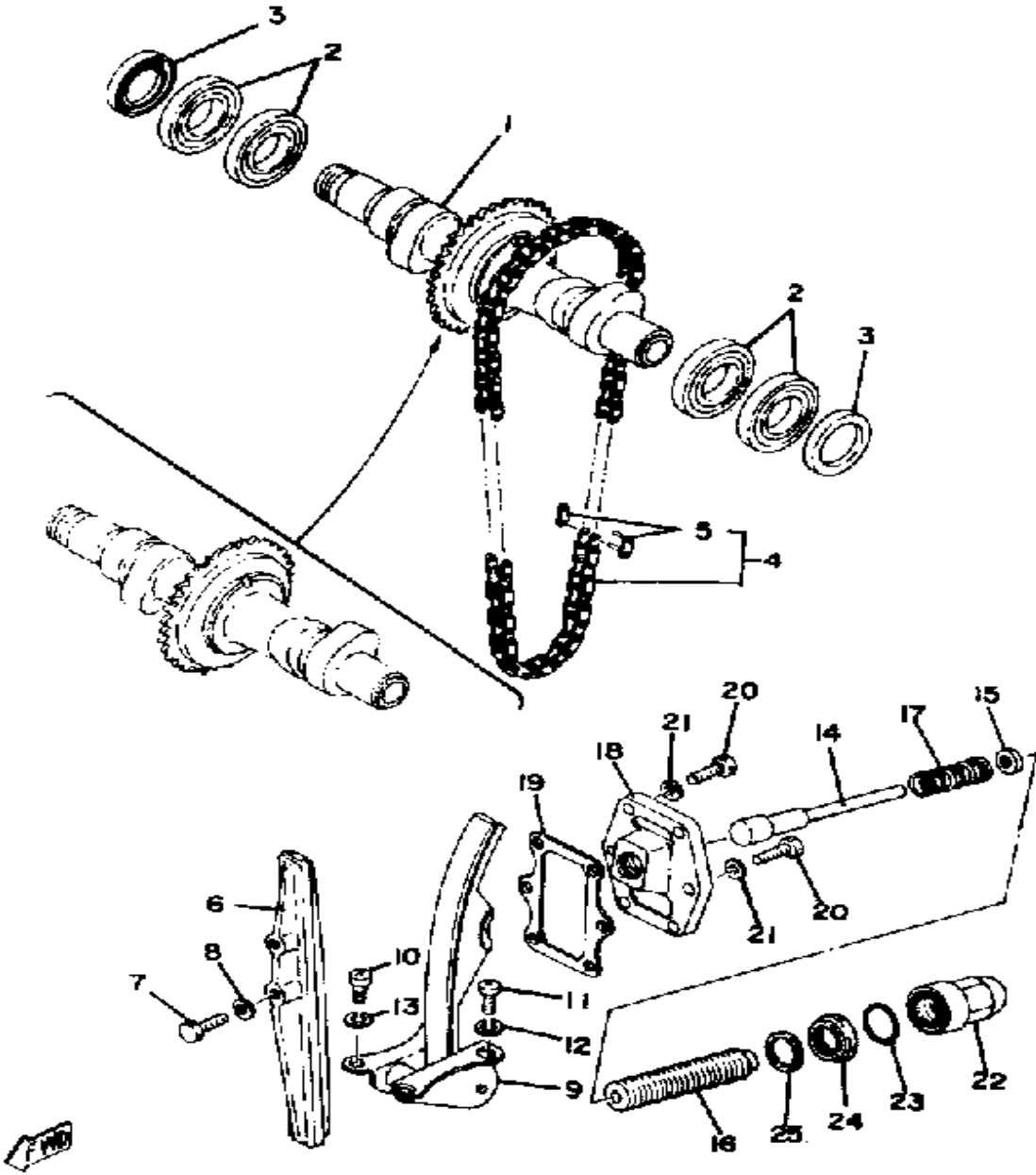
CONTINUED ON NEXT FRAME ►

CAMSHAFT-CHAIN TENSIONER



Ref. No.	Part Number	Description	Qty	Remarks
26	97023-06020-00	BOLT (3XF)	2	
27	94500-02106-00	CHAIN	1	TSUBAKIMOTO
	94562-19106-00	CHAIN	1	DAIDO
28	94600-02001-00	. JOINT, CHAIN (BF05M)	1	TSUBAKIMOTO
	94662-19001-00	. JOINT CHAIN	1	DAIDO
29	256-81653-10-00	GOVERNOR ASSEMBLY	1	
30	256-81651-10-00	CAM	1	
31	447-81620-10-00	BREAKER PLATE ASSEMBLY	1	
32	256-81621-11-00	. CONTACT BRKR ASSEMBLY	2	
33	256-81631-10-00	. LUBRICATOR	2	
34	256-81615-10-00	. WIRE, LEAD	1	
35	97601-04106-00	. SCREW, PN/HD.W/WSHR	6	
36	92901-04100-00	. WASHER, SPRING	6	SE -114240
37	92990-04200-00	. WASHER	6	SE 114241-

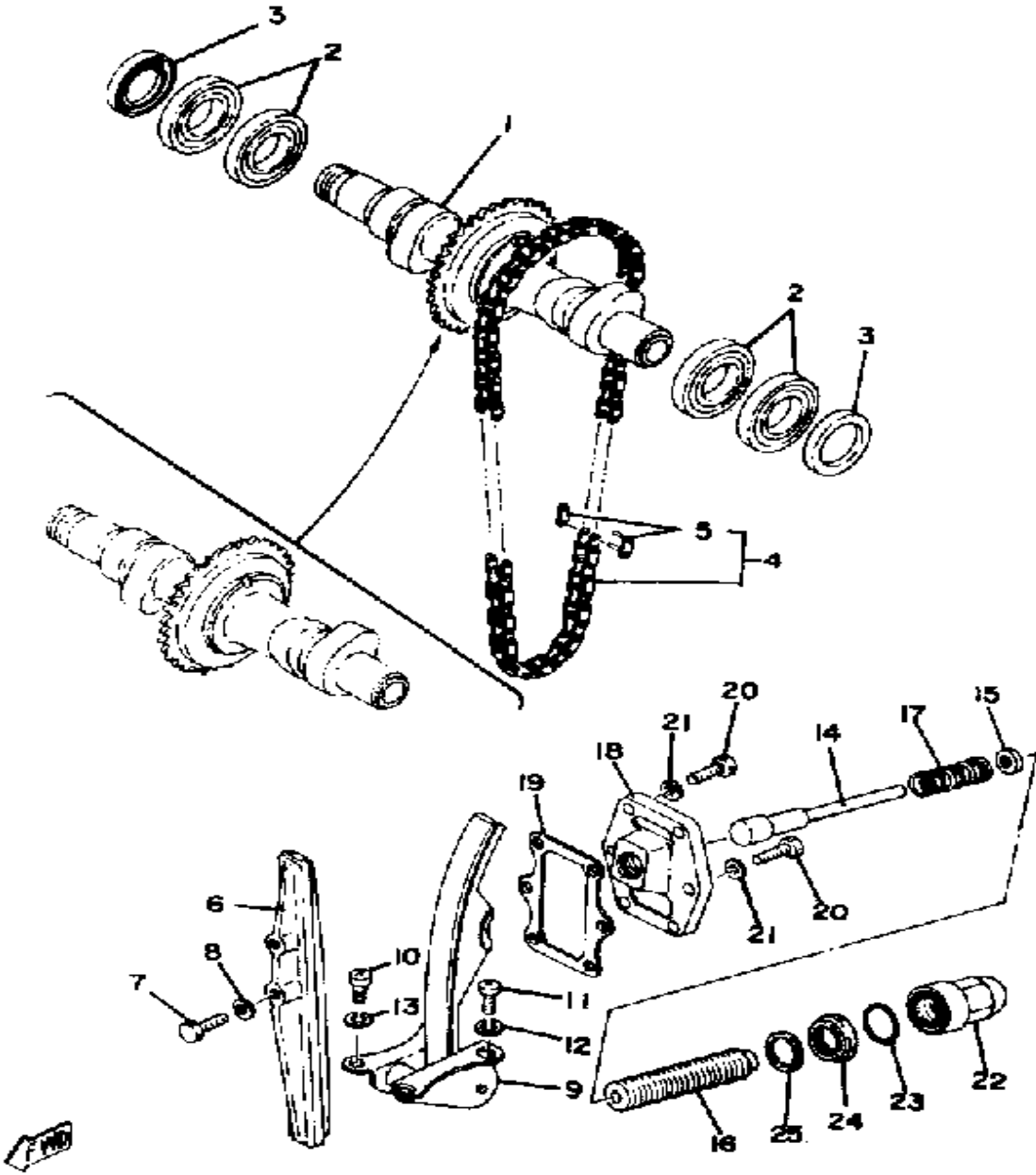
CAMSHAFT-CHAIN TENSIONER



Ref. No.	Part Number	Description	Qty	Remarks
1	3G1-12170-00-00	CAMSHAFT ASSEMBLY 1	1	
2	93316-00503-00	BEARING, CYLINDER.#16 (93316-00504)	4	
3	93101-25044-00	OIL SEAL, S-TYPE	2	
4	94500-02106-00	CHAIN	1	U.R.
	94562-19106-00	CHAIN	1	U.R. STD
5	94600-02001-00	. JOINT, CHAIN (BF05M)	1	U.R.
	94662-19001-00	. JOINT CHAIN	1	U.R. STD
6	256-12231-01-00	GUIDE, STOPPER 1	1	
7	97023-06020-00	BOLT (3XF)	2	
8	90430-06014-00	GASKET	2	
9	447-12220-00-00	GUIDE, STOPPER 2	1	
10	90149-06009-00	SCREW, SPEC'L SHAPE	2	
11	98503-06014-00	SCREW, PAN HEAD	2	
12	92995-06100-00	WASHER, SPRING	2	
13	92995-06100-00	WASHER, SPRING	2	
14	341-12217-04-00	ROD, CHN TENSIONER	1	
15	341-12232-01-00	DAMPER	1	
16	(99999-01144-00)	BOLT (3G1)	1	
	2H0-12232-00-00	. DAMPER	1	
	90109-18580-00	. BOLT	1	
17	90501-14095-00	SPRING, COMPRESSION	1	
18	584-12211-00-00	HOLDER, TENSIONER	1	
19	306-12213-02-00	GASKET, TENSNR CASE	1	
20	97023-06020-00	BOLT (3XF)	6	
21	92990-06200-00	WASHER, PLAIN	6	
22	90176-18021-00	NUT, CROWN	1	
23	93210-21190-00	O-RING	1	
24	90179-18274-00	NUT, SPEC'L SHAPE	1	

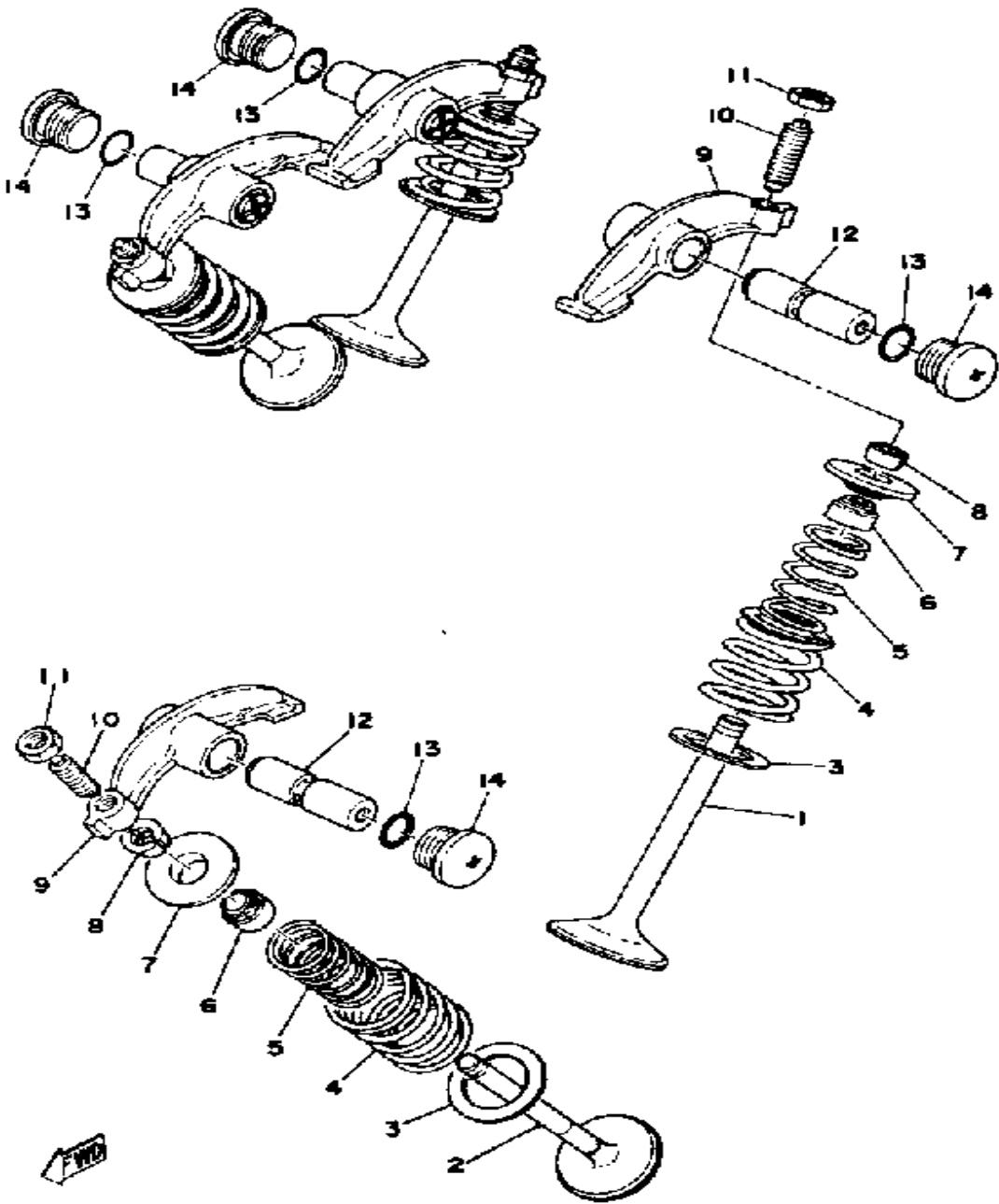
CONTINUED ON NEXT FRAME ►

CAMSHAFT-CHAIN TENSIONER



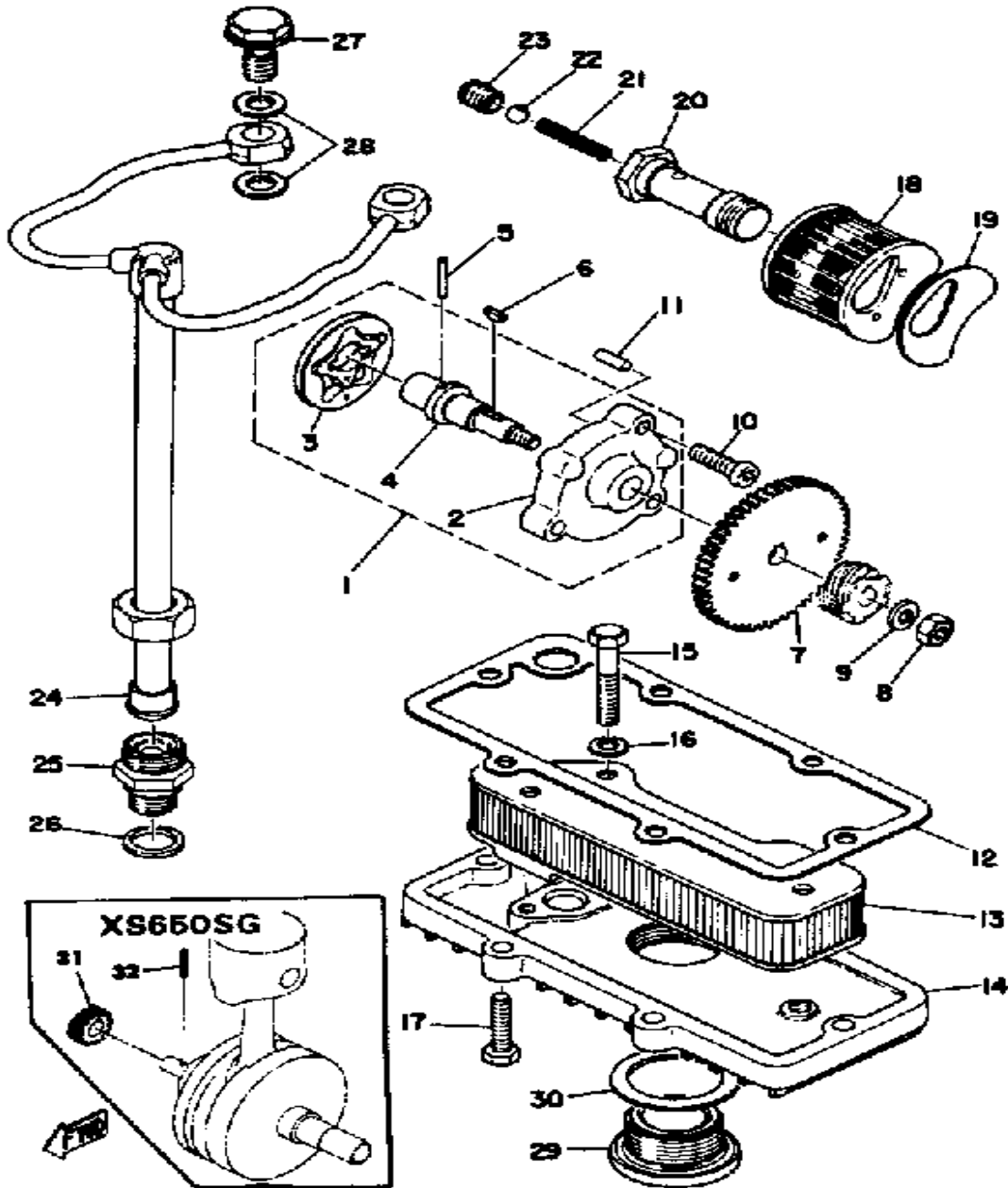
Ref. No.	Part Number	Description	Qty	Remarks
25	90430-18130-00	GASKET	1	

VALVE-ROCKER ARM



Ref. No.	Part Number	Description	Qty	Remarks
1	341-12111-04-00	VALVE, INTAKE 4	2	
2	341-12121-01-00	VALVE, EXHAUST 1	2	
3	256-12116-01-00	SEAT, VALVE SPRING	4	
4	90501-42286-00	SPRING, COMPRESSION	4	
5	90501-29284-00	SPRING, COMPRESSION	4	
6	256-12117-02-00	RETAINER, VALVE SPR	4	
	341-12119-02-00	SEAL, VALVE STEM	4	
8	341-12118-00-00	COTTER, VALVE	8	
9	306-12151-00-00	ARM, VALVE ROCKER	4	
10	90149-08098-00	SCREW, SPEC'L SHAPE	4	
11	90170-08173-00	NUT	4	
12	256-12156-01-00	SHAFT, ROCKER	4	
13	93210-17143-00	O-RING	4	
14	90340-18017-00	PLUG, STRAIGHT SCRW	4	

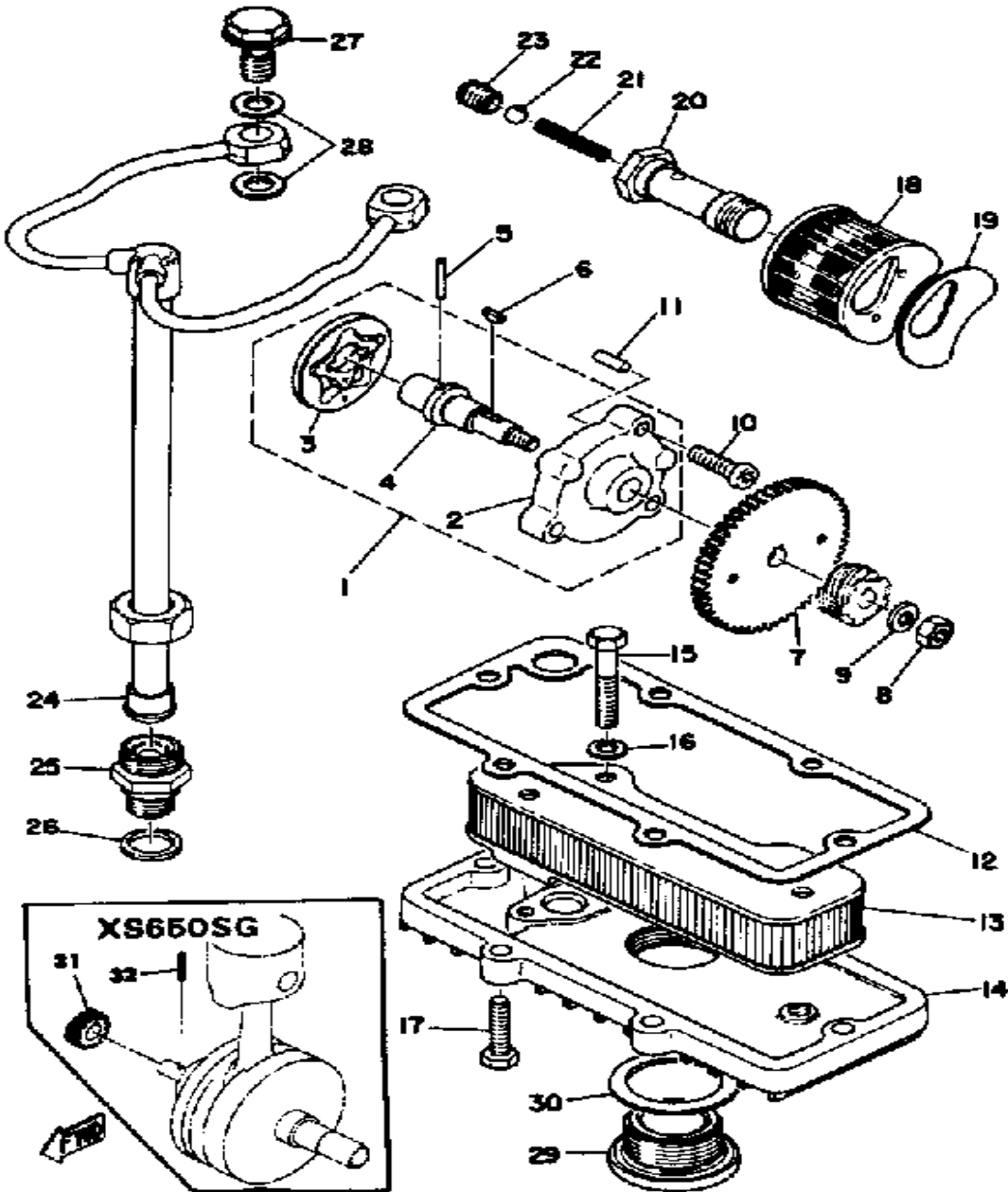
OIL PUMP



Ref. No.	Part Number	Description	Qty	Remarks
1	256-00001-01-00	COVER, PUMP	1	
2	256-13316-02-00	. COVER, PUMP	1	
3	256-13310-02-00	. ROTOR ASSEMBLY 1	1	
4	256-13314-02-00	. SHAFT, PUMP	1	
5	93603-17070-00	PIN, DOWEL	1	
6	90280-03023-00	KEY, WOODRUFF	1	
7	256-13325-00-00	GEAR, PUMP DRIVEN	1	
8	95380-06600-00	NUT, HEXAGON	1	
9	92995-06100-00	WASHER, SPRING	1	
10	98580-06020-00	SCREW, PAN HEAD	3	
11	93604-12037-00	PIN, DOWEL	2	
12	256-13414-00-00	GASKET, STRNR COVER	1	
13	256-13411-01-00	STRAINER, OIL	1	
14	256-13417-00-00	COVER, STRAINER	1	
15	97313-06045-00	BOLT, HEXAGON	3	
16	92995-06100-00	WASHER, SPRING	3	
17	97011-06025-00	BOLT (97001-06025)	6	
18	256-13441-00-00	ELEMENT, OIL CLNR	1	
19	256-13445-00-00	GASKET, ELEMENT	1	
20	256-13495-00-00	SCREW	1	
21	90501-07031-00	SPRING, COMPRESSION	1	
22	93501-04011-00	BALL	1	
23	90149-10019-00	SCREW, SPEC'L SHAPE	1	
24	256-13161-01-00	PIPE, DELIVERY 1	1	
25	256-13165-02-00	BOLT, BANJO	1	
26	90430-14043-00	GASKET	1	
27	90401-10004-00	BOLT, UNION	2	
28	90430-10171-00	GASKET (90430-10148-00)	4	
29	256-15351-00-00	PLUG, DRAIN	1	

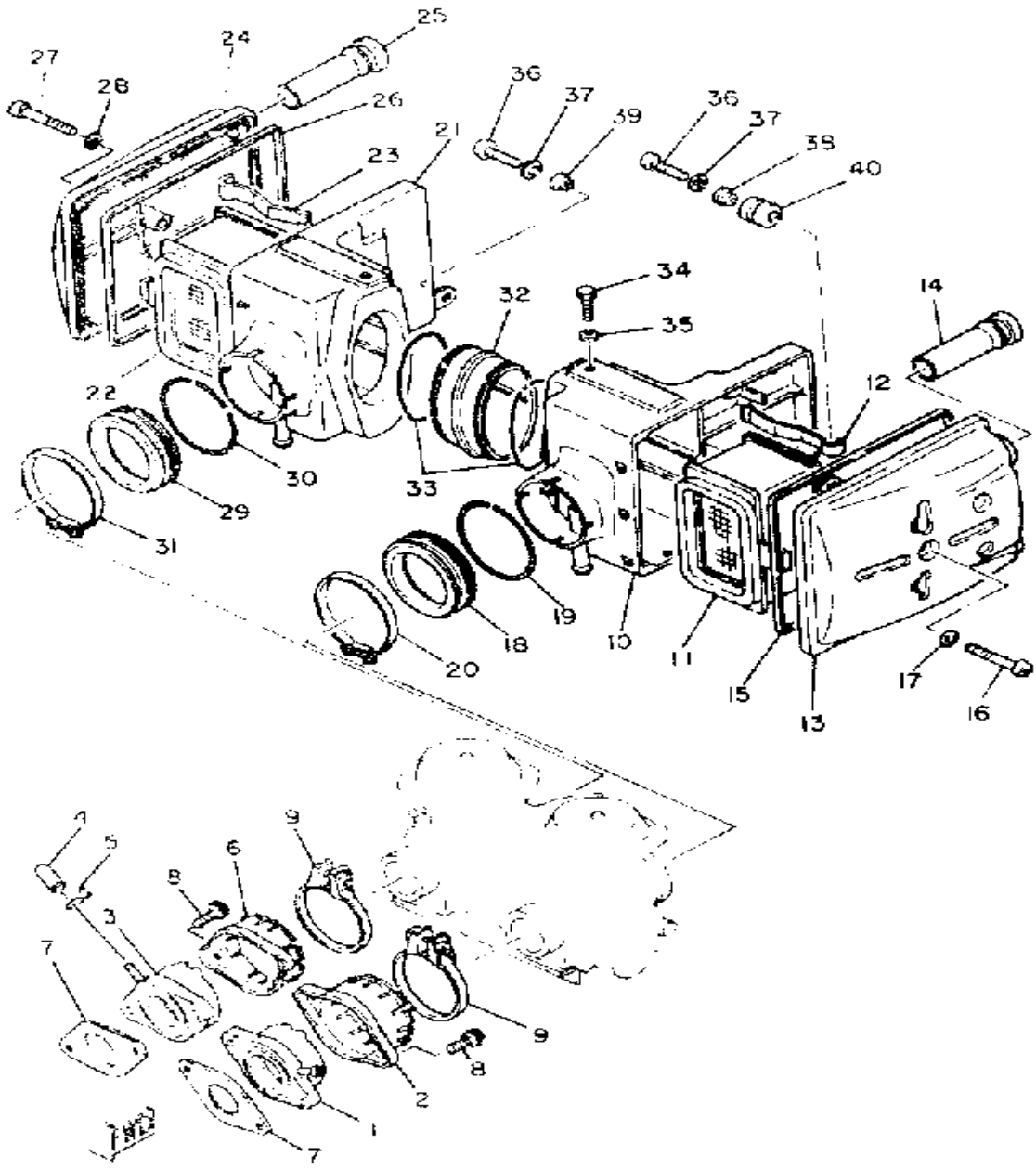
CONTINUED ON NEXT FRAME ➤

OIL PUMP



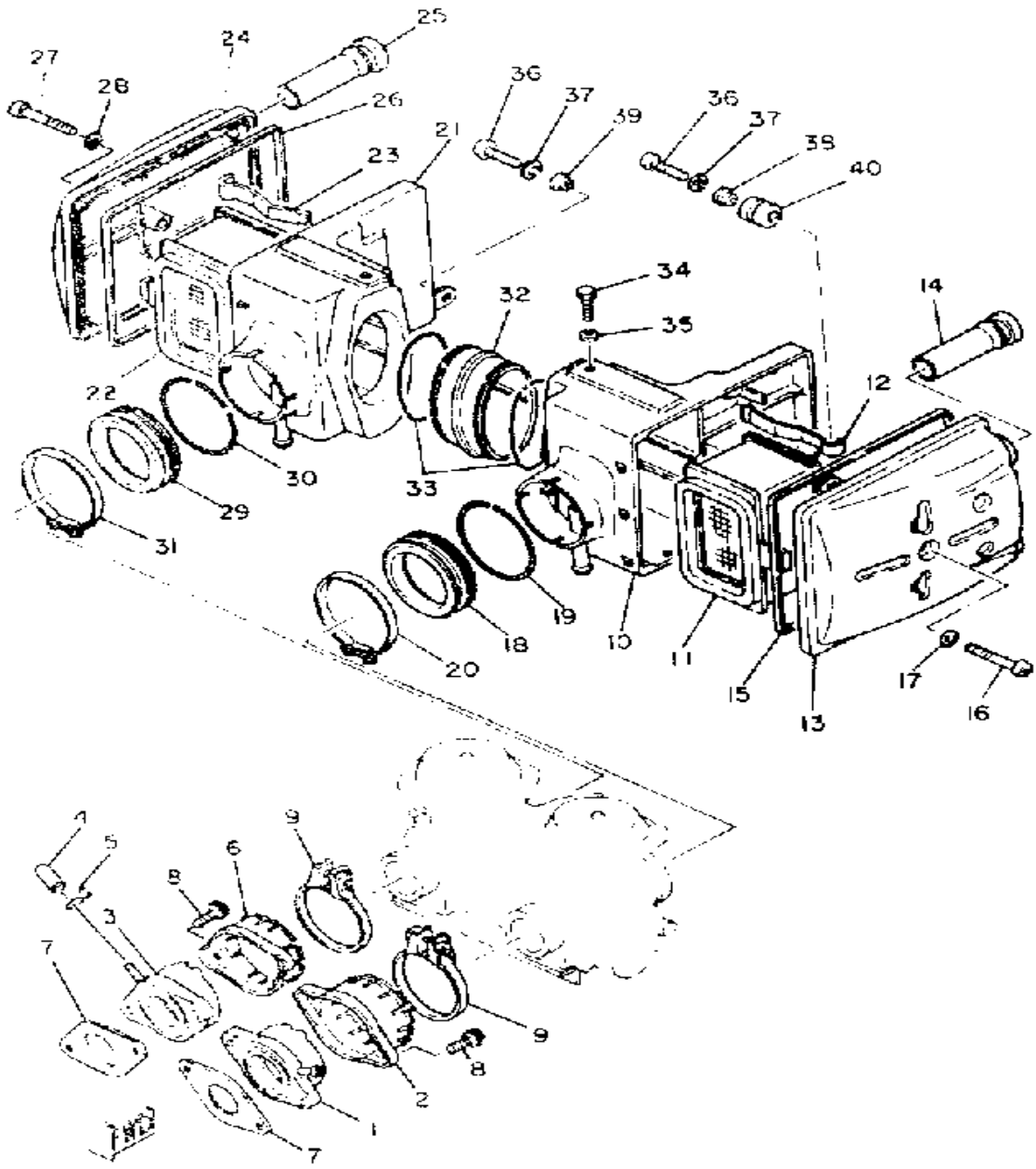
Ref. No.	Part Number	Description	Qty	Remarks
30	256-15353-00-00	GASKET, DRAIN	1	
31	(256-13324-01-00)	GEAR, PUMP DRIVE	1	
32	93603-17070-00	PIN, DOWEL	1	

INTAKE



Ref. No.	Part Number	Description	Qty	Remarks
1	256-13556-01-00	GASKET, MANIFOLD	2	
2	2F0-13586-00-00	JOINT, CARBURETOR 1	1	
3	2F0-13596-00-00	JOINT, CARBURETOR 2	1	
4	2F0-13564-00-00	COVER, CARB.JOINT	1	
5	2F0-13584-00-00	COVER, CARB.JOINT	1	
6	91316-06020-00	BOLT	4	
7	90460-58015-00	CLAMP, HOSE	4	
8	341-14453-00-00	JOINT, AIR CLNR 1	2	
9	90506-06006-00	SPRING, TENSION (256-14487-00)	2	
10	(1E1-14411-00-00)	CASE, AIR CLEANER 1	1	
11	(1E1-14421-00-00)	CASE, AIR CLEANER 2	1	
12	97301-06014-00	BOLT, HEXAGON	4	SE 114241-
	97313-06016-00	BOLT, HEXAGON	4	SE -114240
13	92990-06200-00	WASHER, PLAIN	4	
14	97011-06025-00	BOLT (97001-06025)	2	
15	92995-06100-00	WASHER, SPRING	2	
16	447-14463-01-00	JOINT, AIR CLNR 2	1	
17	90506-06095-00	SPRING, tension	1	
18	533-14451-00-00	ELEMENT, AIR CLNR	2	
19	533-14468-02-00	PLATE, ELEMENT FTNG	2	
20	(447-14412-01-00)	CAP, CLEANER CASE 1	1	
21	447-14422-01-00	CAP, CLEANER CASE 2	1	
22	97011-06010-00	BOLT (97021-06010)	2	
23	(1E1-14449-00-00)	COLLAR	1	SE 114241-

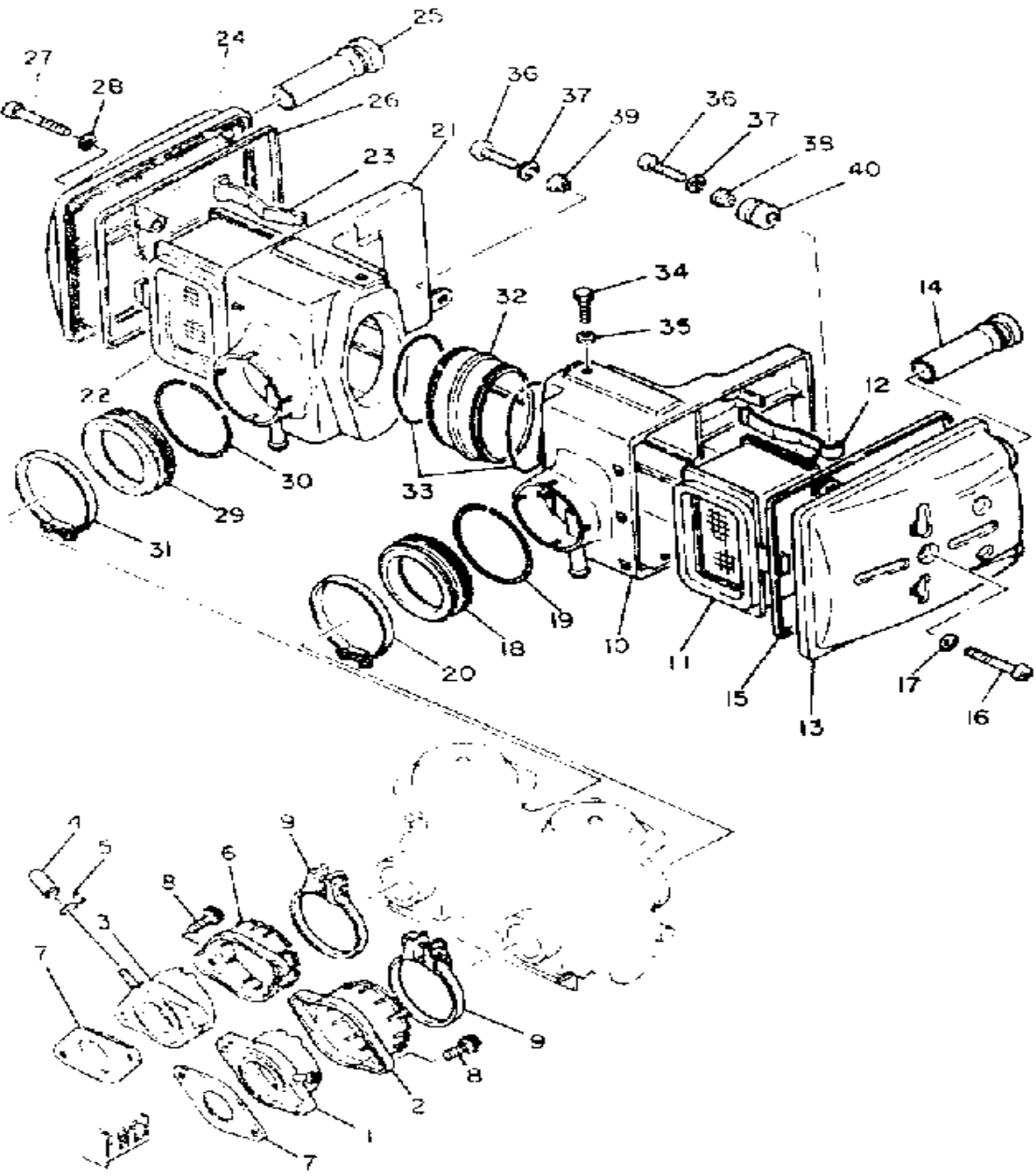
INTAKE



Ref. No.	Part Number	Description	Qty	Remarks
1	3G1-13586-00-00	JOINT, CARBURETOR 1	1	
2	3G1-13564-00-00	COVER, CARB.JOINT	1	
3	3G1-13596-00-00	JOINT, CARBURETOR 2	1	
4	16G-13569-00-00	PLUG, BLIND	1	
5	90467-10039-00	CLIP	1	
6	3G1-13594-00-00	COVER, MANIFOLD 2	1	
7	3G1-13556-00-00	GASKET, MANIFOLD	2	
8	91316-06020-00	BOLT	4	
9	1AE-13575-00-00	BAND	2	
10	3G1-14411-00-00	CASE, AIR CLEANER 1	1	
11	3G1-14451-00-00	ELEMENT, AIR CLNR	1	
12	3G1-14468-00-00	PLATE, ELEMENT FTNG	1	
13	3G1-14422-00-00	CAP, CLEANER CASE 2	1	
14	3G1-14431-00-00	SILENCER, INTAKE 1	2	
15	5T8-14452-00-00	SEAL	1	
16	98580-06545-00	SCREW PAN HEAD	1	
17	92901-06600-00	WASHER, PLATE	1	
18	3G1-14453-00-00	JOINT, AIR CLNR 1	1	
19	90506-06095-00	SPRING, tension	1	
20	90460-64065-00	CLAMP, HOSE	1	
21	3G1-14421-00-00	CASE, AIR CLEANER 2	2	
22	3G1-14451-00-00	ELEMENT, AIR CLNR	1	
23	3G1-14468-00-00	PLATE, ELEMENT FTNG	1	
24	3G1-14422-00-00	CAP, CLEANER CASE 2	1	
25	3G1-14431-00-00	SILENCER, INTAKE 1	2	
26	5T8-14452-00-00	SEAL	1	
27	98580-06545-00	SCREW PAN HEAD	1	
28	92901-06600-00	WASHER, PLATE	1	
29	3G1-14453-00-00	JOINT, AIR CLNR 1	1	

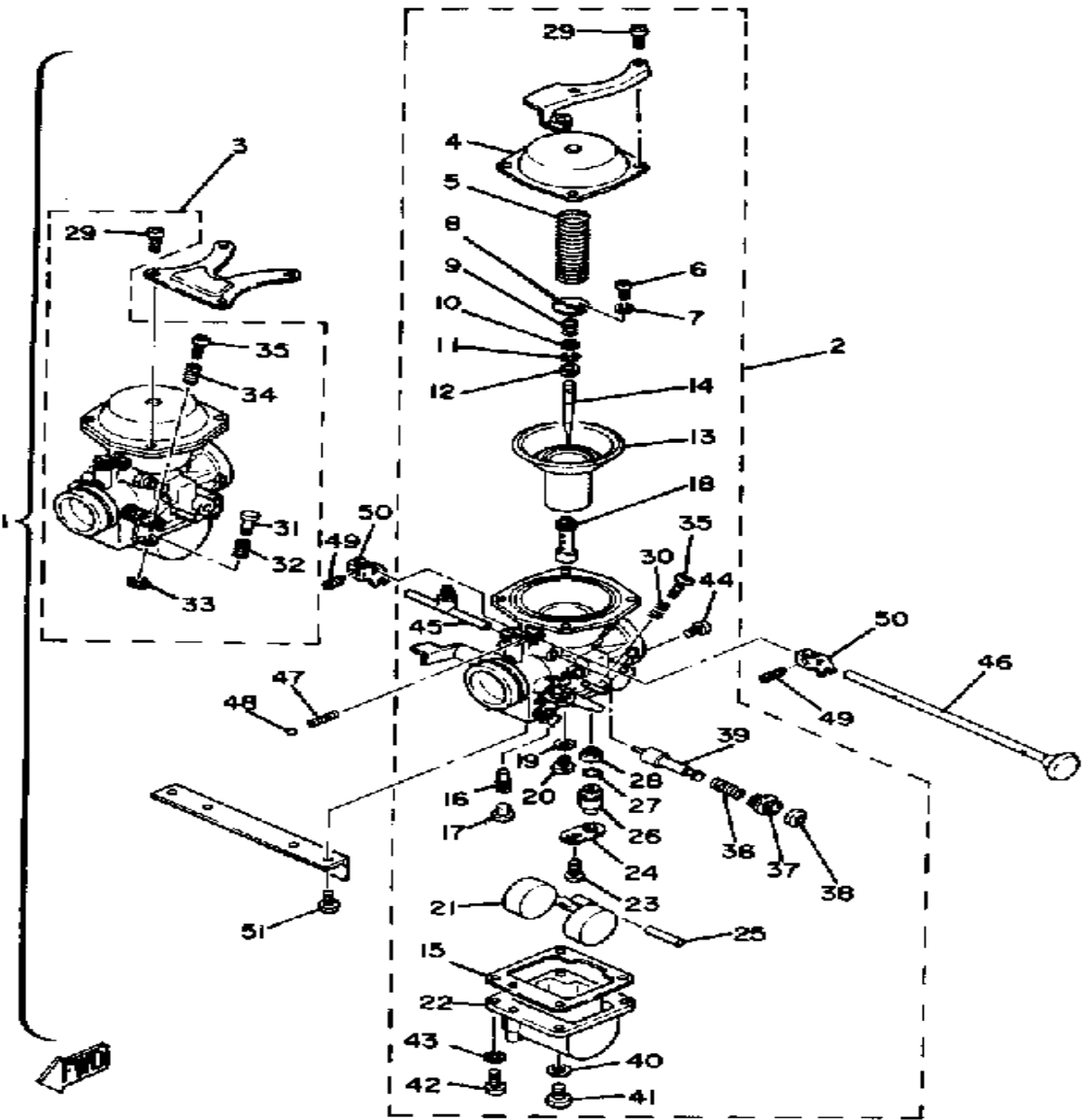
CONTINUED ON NEXT FRAME ►

INTAKE



Ref. No.	Part Number	Description	Qty	Remarks
30	90506-06095-00	SPRING, tension	1	
31	90460-64065-00	CLAMP, HOSE	1	
32	3G1-14463-00-00	JOINT, AIR CLNR 2	1	
33	93210-64297-00	O-RING	2	
34	97011-06025-00	BOLT (97001-06025)	2	
35	92995-06100-00	WASHER, SPRING	2	
36	98580-06030-00	SCREW PAN HEAD	2	
37	92995-06100-00	WASHER, SPRING	2	
38	90387-07717-00	COLLAR	1	
39	90387-07549-00	COLLAR	1	
40	90480-14104-00	GROMMET	1	

CARBURETOR

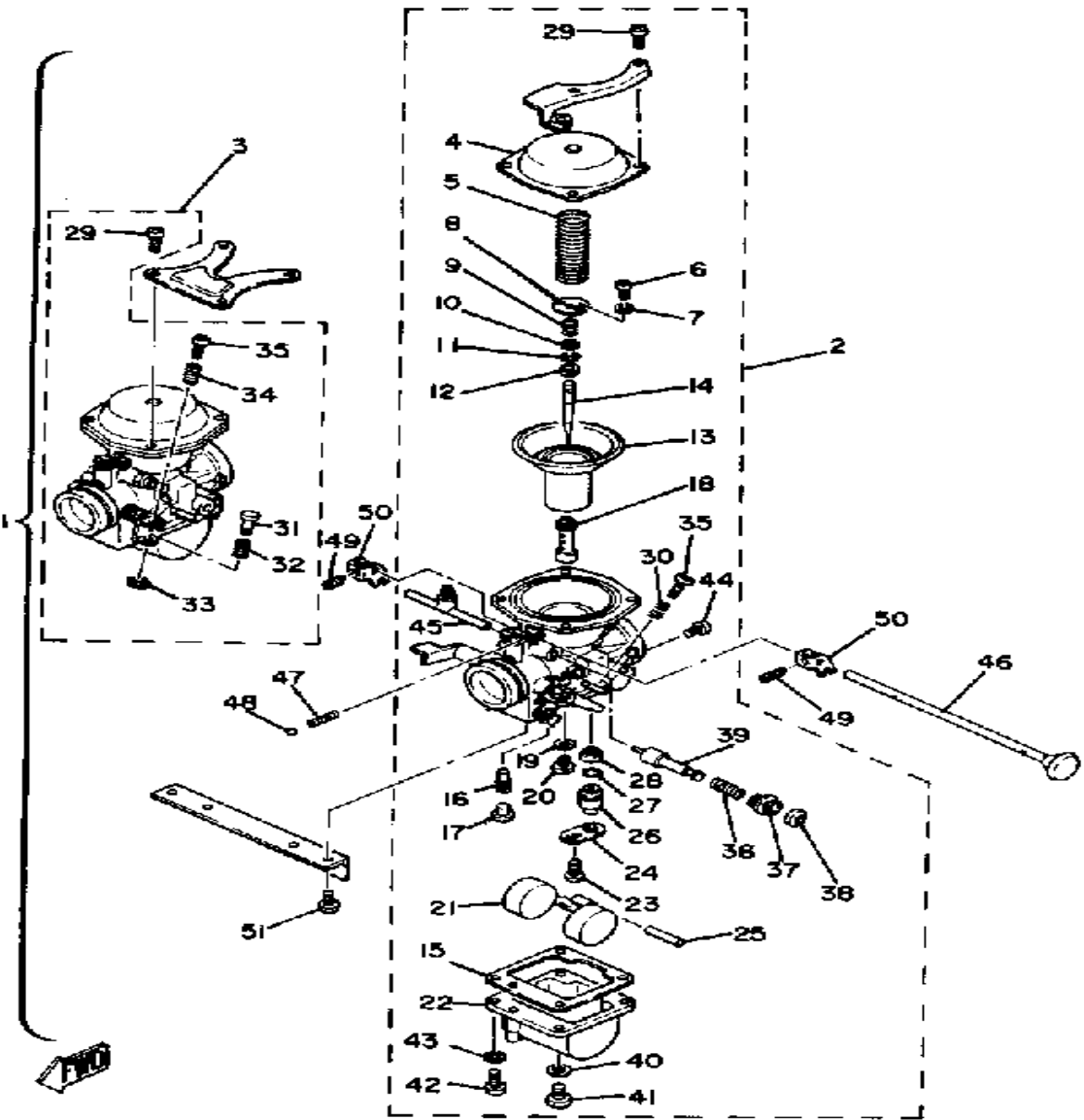


Ref. No.	Part Number	Description	Qty	Remarks
1	UNA-VAILA-BL-EI	0 0		
2	(2F0-14901-00-00)	CARBURETOR ASSEMBLY 1	1	
3	(2F0-14902-00-00)	CARBURETOR ASSEMBLY 2	1	
4	2F0-14941-82-00	.. NOZZLE, MAIN	2	
5	93210-03142-00	.. O-RING	2	
6	168-14190-20-00	.. VALVE, SEAT ASSY	2	
7	214-14195-00-00	.. WASHER, NEEDLE VALVE	2	
8	256-14985-00-00	.. FLOAT	2	
9	127-14186-00-00	.. PIN, FLOAT	2	
10	256-14984-00-00	.. GASKET, FLOAT CHMBR	2	
11	(1J7-14981-09-00)	BODY, FLOAT CHAMBER	2	
12	584-14142-27-A0	.. JET, PILOT #27 5	2	
13	256-14944-26-00	.. JET, MAIN 130 (#130)	2	U.R.
	3G2-14231-27-00	.. JET, MAIN (#135)	2	U.R. STD
	3G2-14231-28-00	.. JET, MAIN (140)	2	U.R.
14	256-14956-01-00	.. WASHER	2	
15	1A8-14991-00-00	.. SCREW	2	
16	98511-04012-00	.. SCREW, PAN HEAD	8	
17	92901-04100-00	.. WASHER, SPRING	8	
18	2F0-14940-00-00	.. DIAPHRAGM ASSEMBLY	2	
19	2F0-14116-02-00	.. NEEDLE	2	
20	2F0-14589-00-00	.. SPRING	2	
21	256-14919-00-00	.. CLIP	2	
22	2F0-14918-00-00	.. RING	2	
23	(2F3-14946-00-00)	PLATE, NEEDLE FTNG	2	
24	2F0-14919-00-00	.. CLIP	2	
25	(2F0-14933-00-00)	SPRING, DIAPHRAGM	2	
26	(256-14958-00-00)	COVER, DIAPHRAGM	2	
27	(447-14926-00-00)	BRACKET, THROTTLE 1	1	

CARBURETOR - Mfr./Type/I.D. Number	Mikuni / BS34 / 3G1 00
Main Jet/Pilot Jet	132.5 / 42.5
Needle Jet/Jet Needle-Clip Position	Y-O / 5HX12-Fixed
Slide Cutaway or Throttle Valve	135
Float Level	27.3 ± 0.5mm
Idle RPM	1200
CO % @ Idle (Diagnostic Use Only)	3.0 ± 2%

CONTINUED ON NEXT FRAME ➤

CARBURETOR

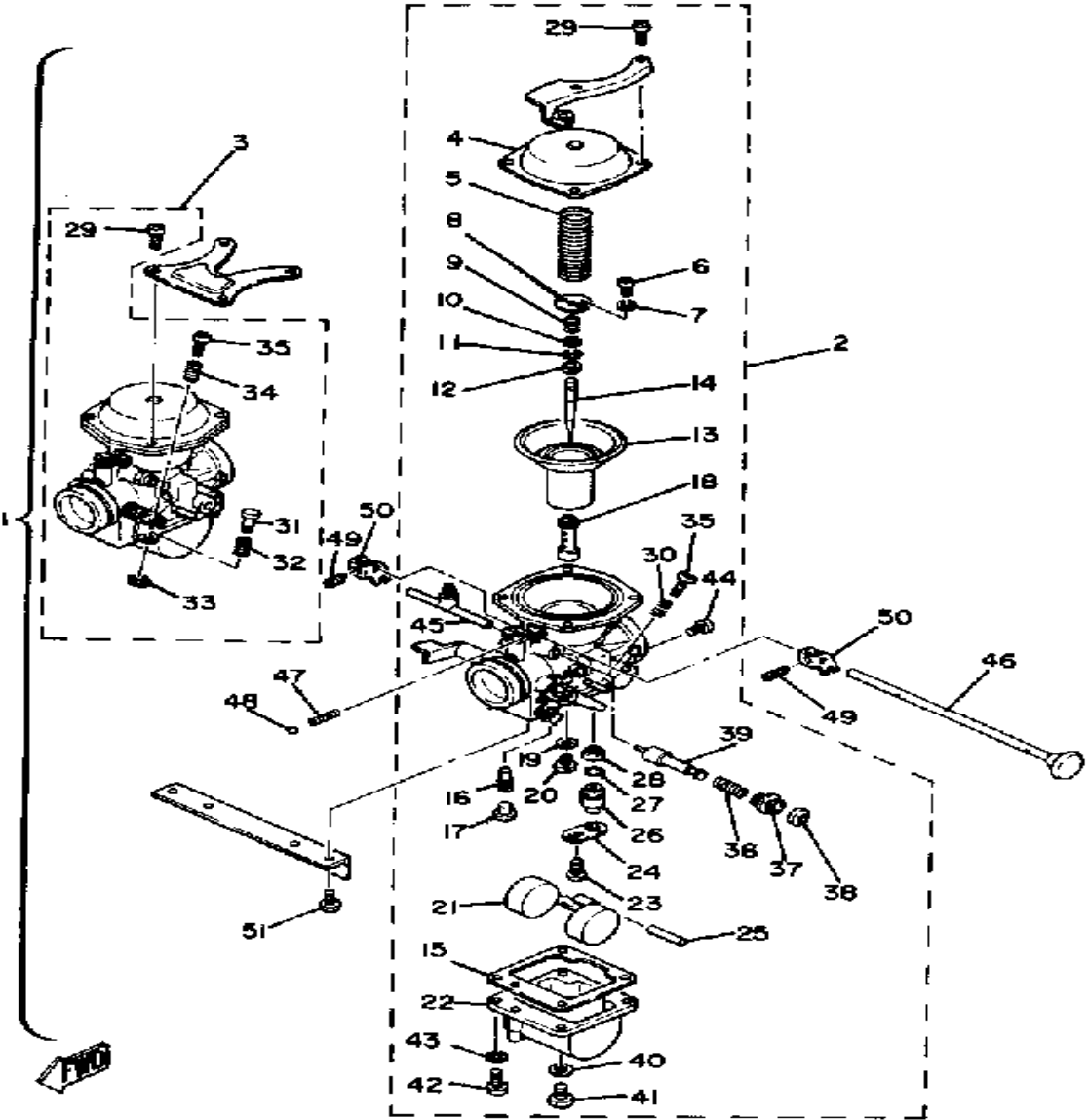


Ref. No.	Part Number	Description	Qty	Remarks
28	98580-05016-00	.. SCREW, PAN HEAD	8	
29	92990-05100-00	.. WASHER, SPRING	8	
30	(2F0-14907-00-00)	BODY, STARTER	1	
31	(1A8-14907-00-00)	BODY, STARTER	1	
32	447-14979-00-00	.. GASKET, STARTER	2	
33	98511-04012-00	.. SCREW, PAN HEAD	6	
34	92901-04100-00	.. WASHER, SPRING	6	
35	584-14171-00-00	.. PLUNGER, STARTER	2	
36	256-14135-00-00	.. SPRING, PLUNGER	2	
37	256-14954-00-00	.. WASHER	2	
38	584-14176-00-00	.. LEVER, STARTER 2	2	
39	306-14173-00-00	.. COVER, PLUNGER CAP	2	
40	2F0-14134-00-00	.. SPRING, AIR ADJUSTING	2	
41	2F0-14923-00-00	.. SCREW, PILOT	2	
42	584-14969-00-00	.. CAP	2	
43	256-14922-01-00	.. SCREW, THROTTLE	2	
44	256-14934-01-00	.. SPRING, THRTL STOP	2	
45	341-14991-00-00	.. SCREW	2	
46	584-14956-00-00	.. WASHER	2	
47	584-14931-00-00	.. SPRING, THRTL LEVER	1	
48	(306-14964-00-00)	LEVER, THROTTLE 2	1	
49	92990-08100-00	.. WASHER, SPRING	2	
50	95303-12600-00	.. NUT	2	
51	(306-14970-00-00)	VALVE, THROTTLE	1	
52	(584-14934-00-00)	SPRING, THRTL STOP	1	
53	584-14992-00-00	.. ROD	1	
54	(584-14937-00-00)	CLIP	1	
55	256-14918-00-00	.. RING	1	
56	584-14955-00-00	.. WASHER	1	

CARBURETOR – Mfr./Type/I.D. Number	Mikuni / BS34 / 3G1-00
Main Jet/Pilot Jet	132.5 / 42.5
Needle Jet/Jet Needle-Clip Position	Y-O / 5HX12-Fixed
Slide Cutaway or Throttle Valve	135
Float Level	27.3 ± 0.5mm
Idle RPM	1200
CO % @ Idle (Diagnostic Use Only)	3.0 ± 2%

CONTINUED ON NEXT FRAME ➤

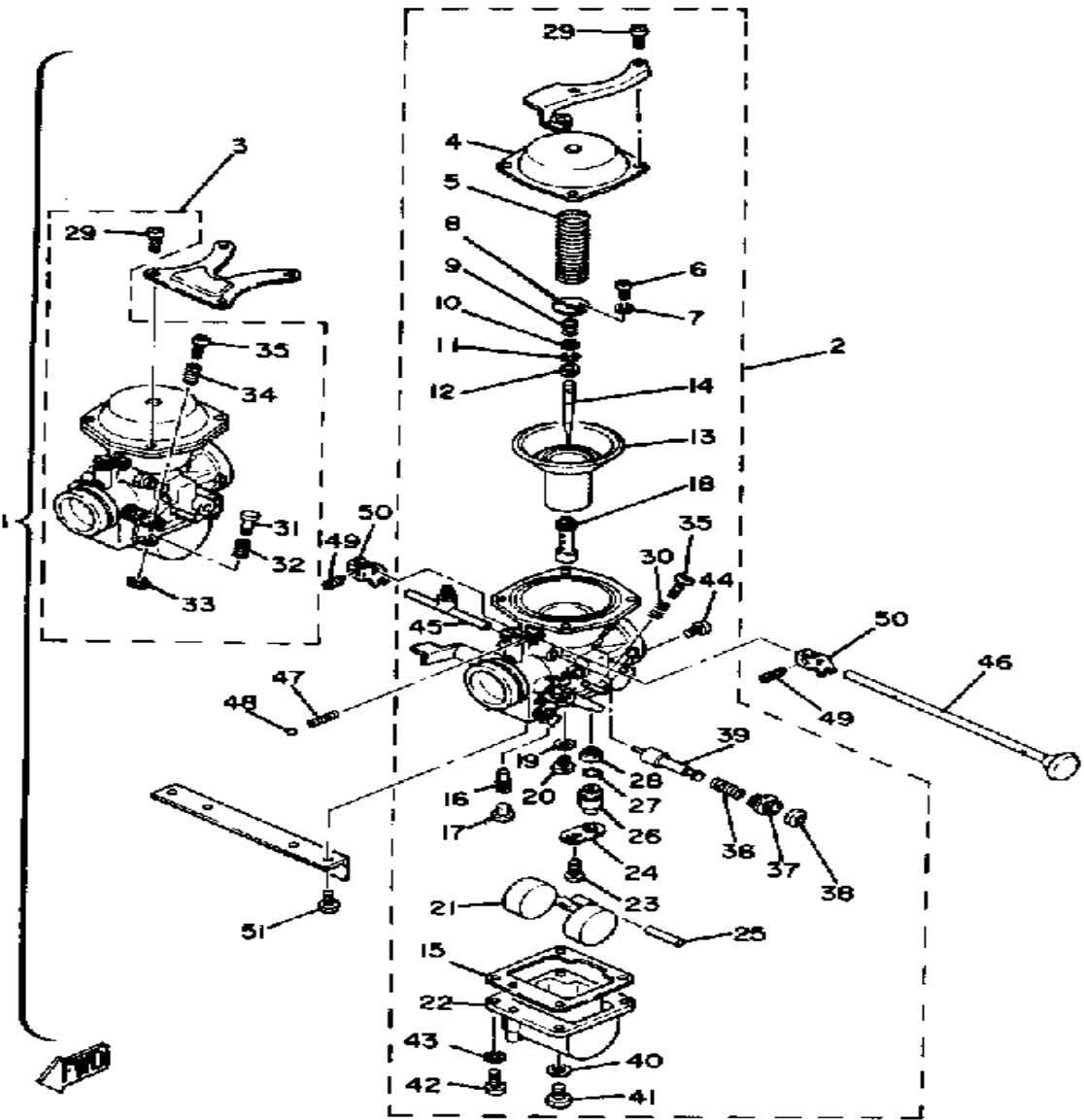
CARBURETOR



Ref. No.	Part Number	Description	Qty	Remarks
57	306-14905-02-00	. LEVER, STARTER	1	
58	256-14952-00-00	. WASHER	1	
59	92901-04100-00	. WASHER, SPRING	1	
60	98511-04012-00	. SCREW, PAN HEAD	1	
61	584-14938-00-00	. SPRING	1	
62	98511-04006-00	. SCREW, PAN HEAD	1	
63	92901-04100-00	. WASHER, SPRING	1	
64	(584-14243-00-00)	PLATE	1	
65	(2F0-14977-00-00)	SHAFT, STARTER LVR	1	
66	2F0-14905-00-00	. LEVER, STARTER	2	
67	584-14991-00-00	. SCREW	2	
68	(584-14146-00-00)	PLATE	1	
69	98503-06014-00	. SCREW, PAN HEAD	4	
70	92995-06100-00	. WASHER, SPRING	4	
71	(306-14988-00-00)	PIPE, STARTER CON	1	
72	(341-14919-00-00)	CLIP	2	
	3F9-14118-00-00	CAP	1	

CARBURETOR – Mfr./Type/I.D. Number	Mikuni / BS34 / 3G1-00
Main Jet/Pilot Jet	132.5 / 42.5
Needle Jet/Jet Needle-Clip Position	Y-O / 5HX12-Fixed
Slide Cutaway or Throttle Valve	135
Float Level	27.3 ± 0.5mm
Idle RPM	1200
CO % @ Idle (Diagnostic Use Only)	3.0 ± 2%

CARBURETOR

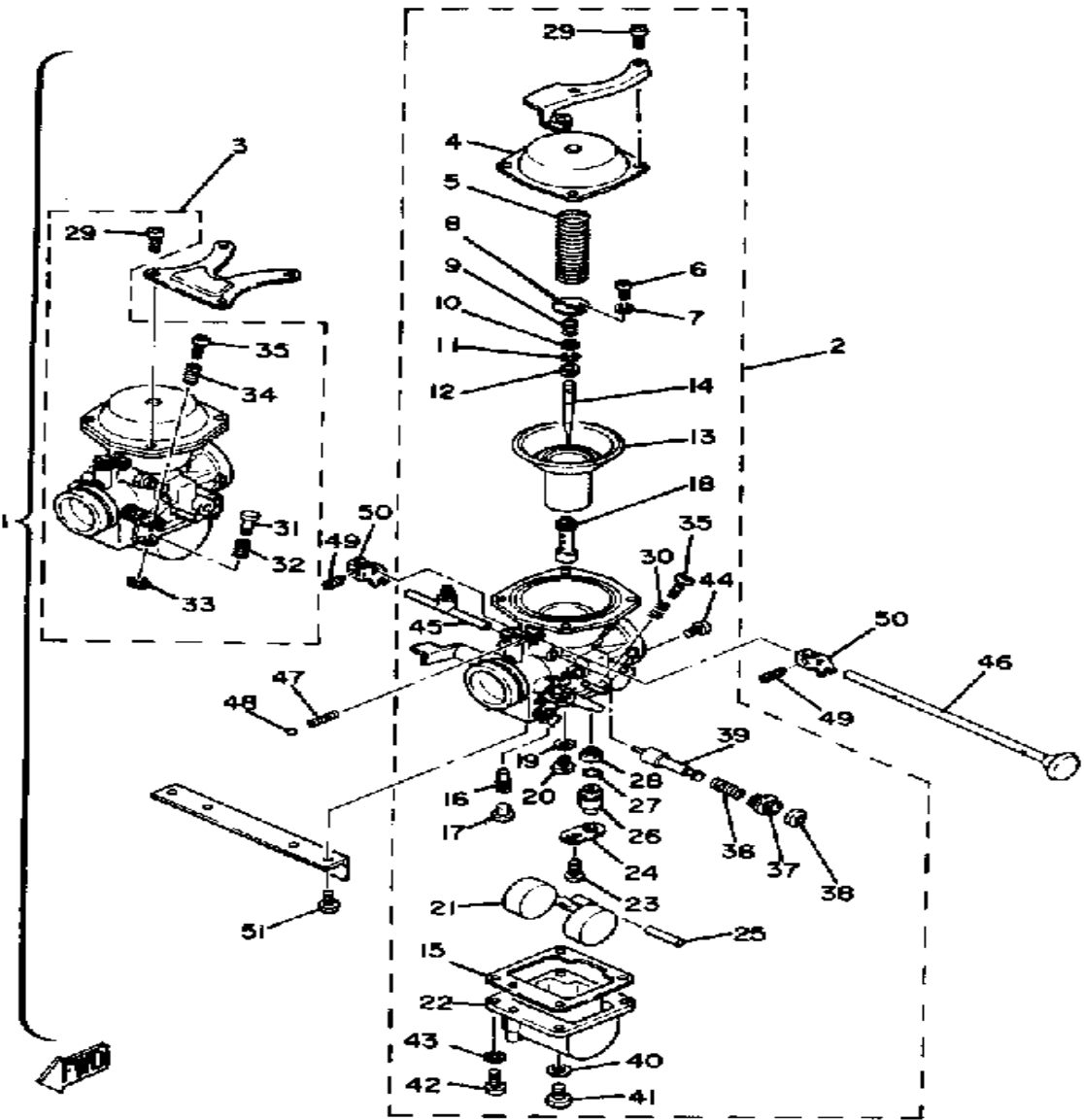


Ref. No.	Part Number	Description	Qty	Remarks
1	N/A---	UNAVAILABLE IN PRICE BOOK	1	SE 114241-
2	(2F0-14901-00-00)	CARBURETOR ASSEMBLY 1	1	SE 114241-
3	(2F0-14902-00-00)	CARBURETOR ASSEMBLY 2	1	SE 114241-
4	2F0-14941-82-00	.. NOZZLE, MAIN	2	SE 114241-
5	93210-03142-00	.. O-RING	2	SE 114241-
6	168-14190-20-00	.. VALVE, SEAT ASSY	2	SE 114241-
7	214-14195-00-00	.. WASHER, NEEDLE VALVE	2	SE 114241-
8	256-14985-00-00	.. FLOAT	2	SE 114241-
9	127-14186-00-00	.. PIN, FLOAT	2	SE 114241-
10	256-14984-00-00	.. GASKET, FLOAT CHMBR	2	SE 114241-
11	(1J7-14981-09-00)	BODY, FLOAT CHAMBER	2	SE 114241-
12	584-14142-27-A0	.. JET, PILOT #27 5	2	SE 114241-
13	3G2-14231-27-00	.. JET, MAIN (#135)	2	SE 114241-
14	256-14956-01-00	.. WASHER	2	SE 114241-
15	1A8-14991-00-00	.. SCREW	2	SE 114241-
16	97601-04112-00	.. SCREW, PN/HD.W/WSHR (97602-04112-00)	8	SE 114241-
17	2F0-14940-00-00	.. DIAPHRAGM ASSEMBLY	2	SE 114241-
18	2F0-14116-02-00	.. NEEDLE	2	SE 114241-
19	2F0-14589-00-00	.. SPRING	2	SE 114241-
20	256-14919-00-00	.. CLIP	2	SE 114241-
21	2F0-14918-00-00	.. RING	2	SE 114241-
22	(2F3-14946-00-00)	PLATE, NEEDLE FTNG	2	SE 114241-
23	2F0-14919-00-00	.. CLIP	2	SE 114241-
24	(2F0-14933-00-00)	SPRING, DIAPHRAGM	2	SE 114241-
25	(256-14958-00-00)	COVER, DIAPHRAGM	2	SE 114241-
26	(447-14926-00-00)	BRACKET, THROTTLE 1	1	SE 114241-
27	98580-05016-00	.. SCREW, PAN HEAD	4	SE 114241-
28	(97601-05114-00)	SCREW, PN/HD.W/WSHR	4	SE 114241-

CARBURETOR - Mfr./Type/I.D. Number	Mikuni / BS34 / 3G1-00
Main Jet/Pilot Jet	132.5 / 42.5
Needle Jet/Jet Needle-Clip Position	Y-O / 5HX12-Fixed
Slide Cutaway or Throttle Valve	135
Float Level	27.3 ± 0.5mm
Idle RPM	1200
CO % @ Idle (Diagnostic Use Only)	3.0 ± 2%

CONTINUED ON NEXT FRAME ►

CARBURETOR

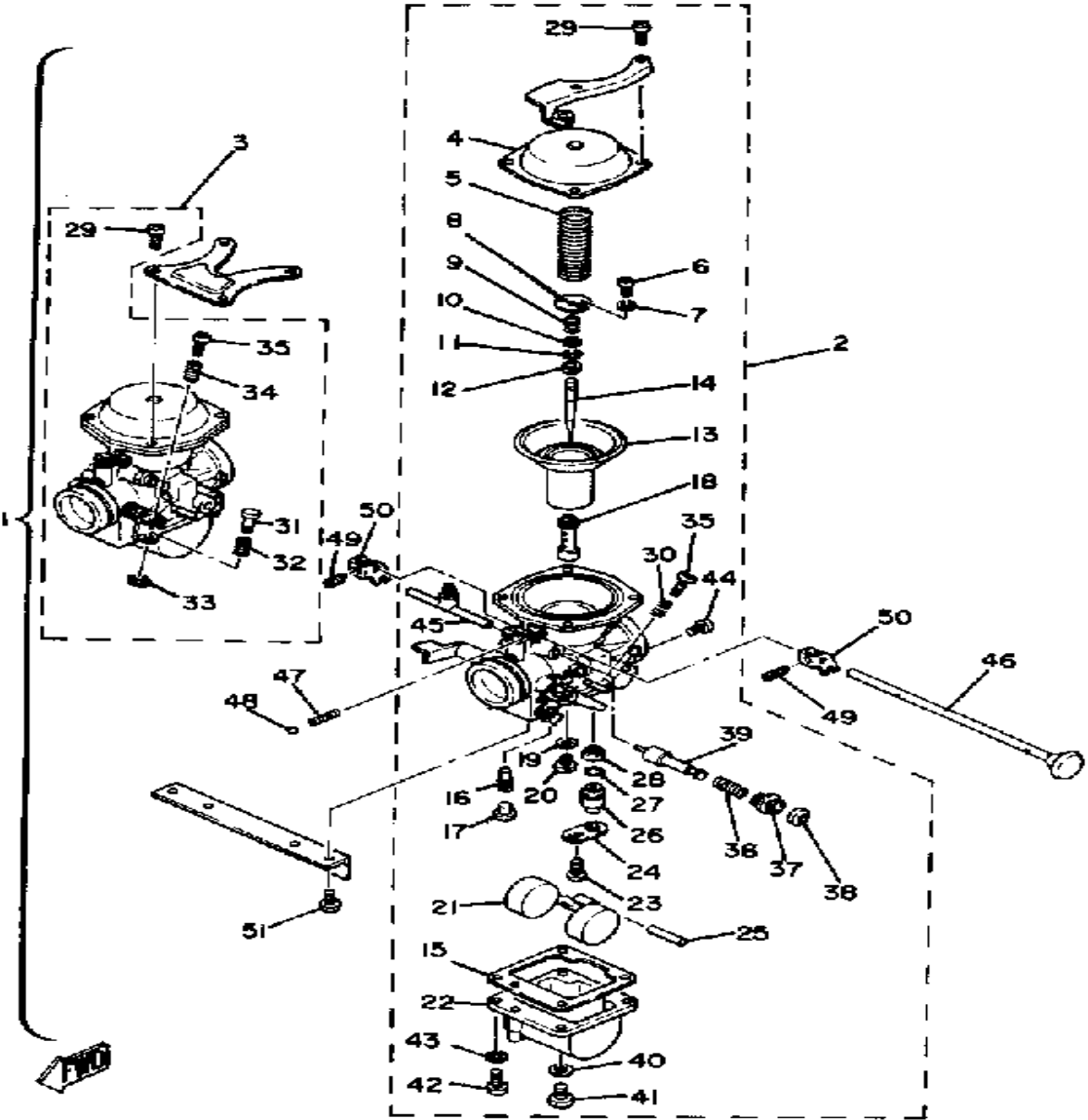


Ref. No.	Part Number	Description	Qty	Remarks
29	(2F0-14907-00-00)	BODY, STARTER	1	SE 114241-
30	(1A8-14907-00-00)	BODY, STARTER	1	SE 114241-
31	447-14979-00-00	.. GASKET, STARTER	2	SE 114241-
32	97601-04112-00	.. SCREW, PN/HD.W/WSHR (97602-04112-00)	6	SE 114241-
33	584-14171-00-00	.. PLUNGER, STARTER	2	SE 114241-
34	256-14135-00-00	.. SPRING, PLUNGER	2	SE 114241-
35	256-14954-00-00	.. WASHER	2	SE 114241-
36	584-14176-00-00	.. LEVER, STARTER 2	2	SE 114241-
37	306-14173-00-00	.. COVER, PLUNGER CAP ...	2	SE 114241-
38	2F0-14134-00-00	.. SPRING, AIR ADJUSTING ..	2	SE 114241-
39	2F0-14923-00-00	.. SCREW, PILOT	2	SE 114241-
40	584-14969-00-00	.. CAP	2	SE 114241-
41	256-14922-01-00	.. SCREW, THROTTLE	2	SE 114241-
42	256-14934-01-00	.. SPRING, THRTL STOP	2	SE 114241-
43	341-14991-00-00	.. SCREW	2	SE 114241-
44	584-14956-00-00	.. WASHER	2	SE 114241-
45	584-14931-00-00	.. SPRING, THRTL LEVER	1	SE 114241-
46	(306-14964-00-00)	LEVER, THROTTLE 2	1	SE 114241-
47	92990-08100-00	.. WASHER, SPRING	2	SE 114241-
48	90170-12175-00	.. NUT	2	SE 114241-
	95333-08600-00	.. NUT	2	
49	(306-14970-00-00)	VALVE, THROTTLE	1	SE 114241-
50	(584-14934-00-00)	SPRING, THRTL STOP	1	SE 114241-
51	584-14992-00-00	.. ROD	1	SE 114241-
52	(584-14937-00-00)	CLIP	1	SE 114241-
53	256-14918-00-00	.. RING	1	SE 114241-
54	584-14955-00-00	.. WASHER	1	SE 114241-
55	306-14905-02-00	.. LEVER, STARTER	1	SE 114241-

CARBURETOR – Mfr./Type/I.D. Number	Mikuni / BS34 / 3G1-00
Main Jet/Pilot Jet	132.5 / 42.5
Needle Jet/Jet Needle-Clip Position	Y-O / 5HX12-Fixed
Slide Cutaway or Throttle Valve	135
Float Level	27.3 ± 0.5mm
Idle RPM	1200
CO % @ Idle (Diagnostic Use Only)	3.0 ± 2%

CONTINUED ON NEXT FRAME ►

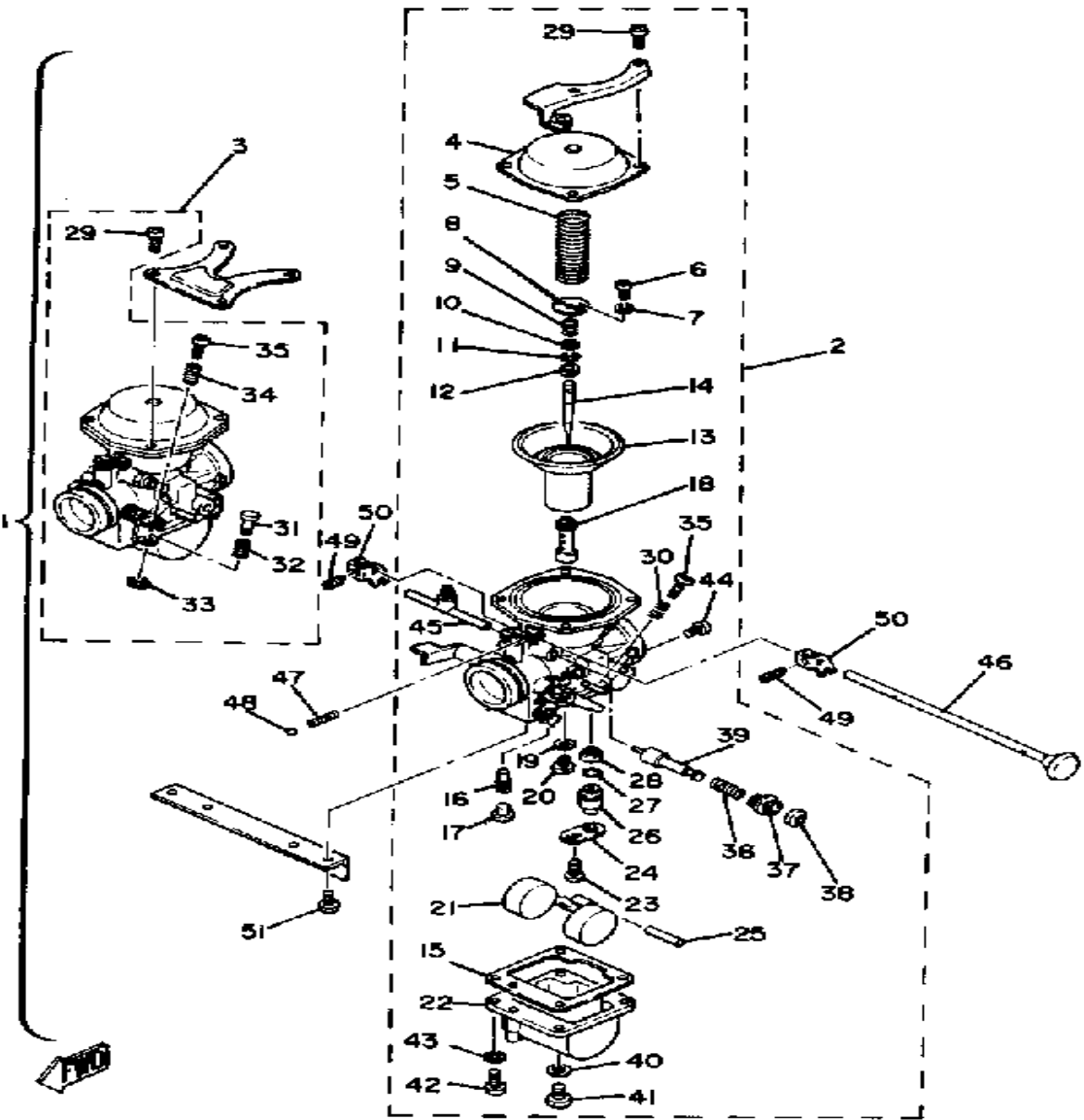
CARBURETOR



Ref. No.	Part Number	Description	Qty	Remarks
56	256-14952-00-00	. WASHER	1	SE 114241-
57	97601-04112-00	. SCREW, PN/HD.W/WSHR (97602-04112-00)	1	SE 114241-
58	584-14938-00-00	. SPRING	1	SE 114241-
59	97601-04106-00	. SCREW, PN/HD.W/WSHR ...	1	SE 114241-
60	(2F0-14977-00-00) (584-14243-00-00)	SHAFT, STARTER LVR	1	SE 114142- PLATE
61	(2F0-14977-00-00)	SHAFT, STARTER LVR	1	SE 114241-
62	2F0-14905-00-00	. LEVER, STARTER	2	SE 114241-
63	584-14991-00-00	. SCREW	2	SE 114241-
64	(584-14146-00-00)	PLATE	1	SE 114241-
65	(97601-06114-00)	SCREW, PN/HD.W/WSHR	4	SE 114241-
66	(306-14988-00-00)	PIPE, STARTER CON	1	SE 114241-
67	(341-14919-00-00) 3F9-14118-00-00	CLIP	2	SE 114241- CAP

CARBURETOR – Mfr./Type/I.D. Number	Mikuni / BS34 / 3G1-00
Main Jet/Pilot Jet	132.5 / 42.5
Needle Jet/Jet Needle-Clip Position	Y-O / 5HX12-Fixed
Slide Cutaway or Throttle Valve	135
Float Level	27.3 ± 0.5mm
Idle RPM	1200
CO % @ Idle (Diagnostic Use Only)	3.0 ± 2%

CARBURETOR

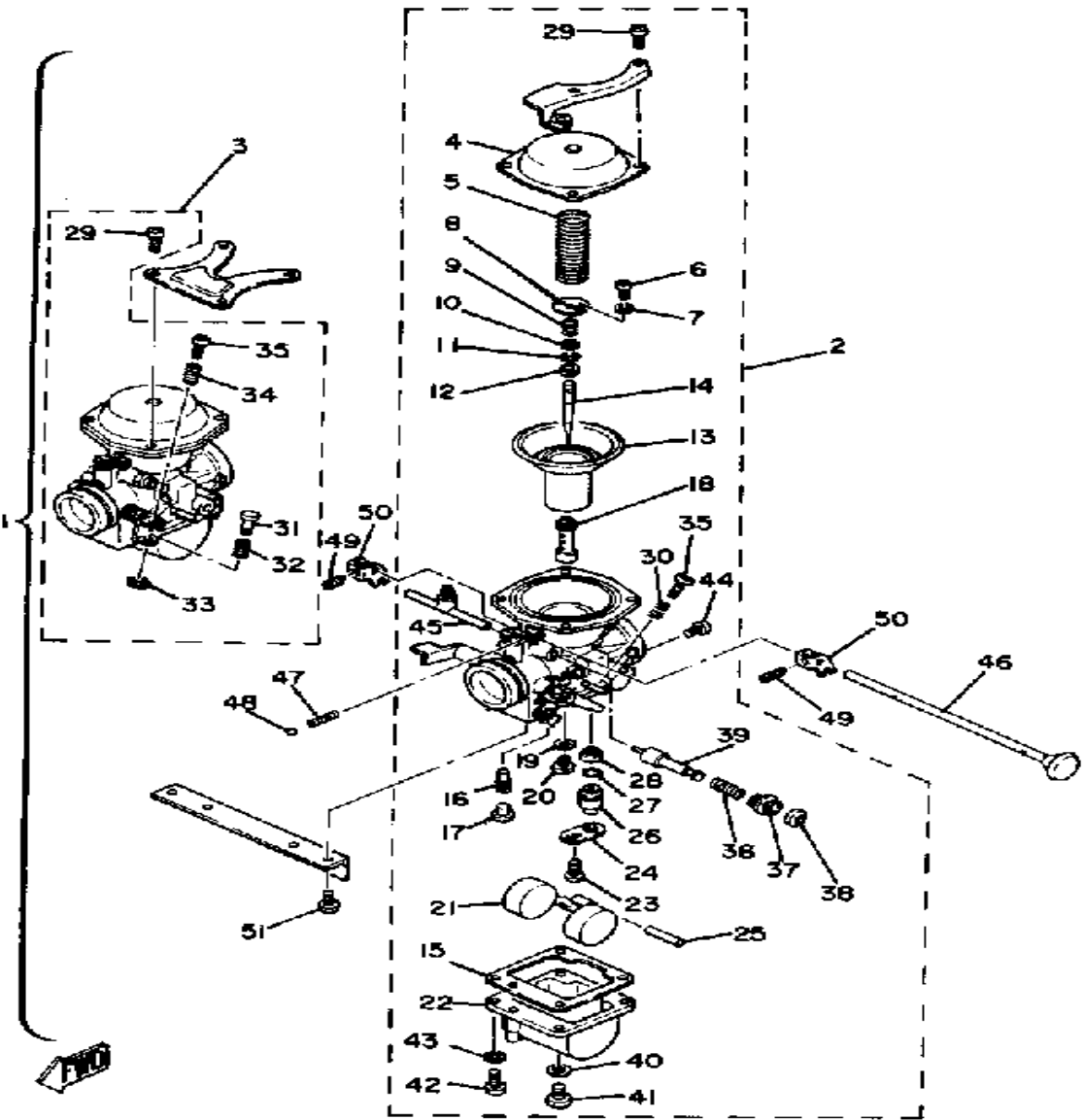


Ref. No.	Part Number	Description	Qty	Remarks
1	(3G1-14900-00-00)	UNAVAILABLE IN PRICE BOOK	1	N/A
2	3G1-14901-00-00	. CARBURETOR ASSEMBLY 1	1	
3	3G1-14902-00-00	. CARBURETOR ASSEMBLY 2	1	
4	(3G1-14958-01-00)	COVER, DIAPHRAGM	2	
5	3G1-14933-00-00	.. SPRING, DIAPHRAGM	2	
6	98580-03008-00	.. SCREW, PAN HEAD	4	
7	92990-03100-00	.. WASHER, SPRING	4	
8	3F7-14936-00-00	.. SEAT, SPRING	2	
9	3F7-14589-00-00	.. SPRING	2	
10	3F7-14952-00-00	.. WASHER	2	
11	256-14919-00-00	.. CLIP	2	
12	3F7-14918-00-00	.. RING	2	
13	3H5-14940-00-00	.. DIAPHRAGM ASSEMBLY ..	2	
14	2H7-14116-12-00	.. NEEDLE	2	
15	3F7-14984-00-00	.. GASKET, FLOAT CHMBR ..	2	
16	256-14142-42-A0	.. JET, PILOT #42 5	2	
17	3F7-14991-00-00	.. PLUG (K/L)	2	
18	(2F3-14941-92-00)	NOZZLE, MAIN	2	
19	137-14153-00-00	.. WASHER, MAIN JET	2	
20	620-14231-99-A0	.. JET, MAIN #132 5	2	
21	3F7-14985-00-00	.. FLOAT	2	
22	(3F7-14981-06-00)	BODY, FLOAT CHAMBER	2	
23	98511-04006-00	.. SCREW, PAN HEAD	2	
24	2H0-14146-00-00	.. PLATE	2	
25	537-14186-00-00	.. PIN, FLOAT	2	
26	25G-14107-20-00	.. NEEDLE VALVE SET	2	
27	8F2-14147-00-00	.. O-RING	2	
28	1J7-14994-00-00	.. NET, FILTER	2	
29	98580-05006-00	.. SCREW, PAN HEAD	8	

CARBURETOR – Mfr./Type/I.D. Number	Mikuni / BS34 / 3G1-00
Main Jet/Pilot Jet	132.5 / 42.5
Needle Jet/Jet Needle-Clip Position	Y-O / 5HX12-Fixed
Slide Cutaway or Throttle Valve	135
Float Level	27.3 ± 0.5mm
Idle RPM	1200
CO % @ Idle (Diagnostic Use Only)	3.0 ± 2%

CONTINUED ON NEXT FRAME ➤

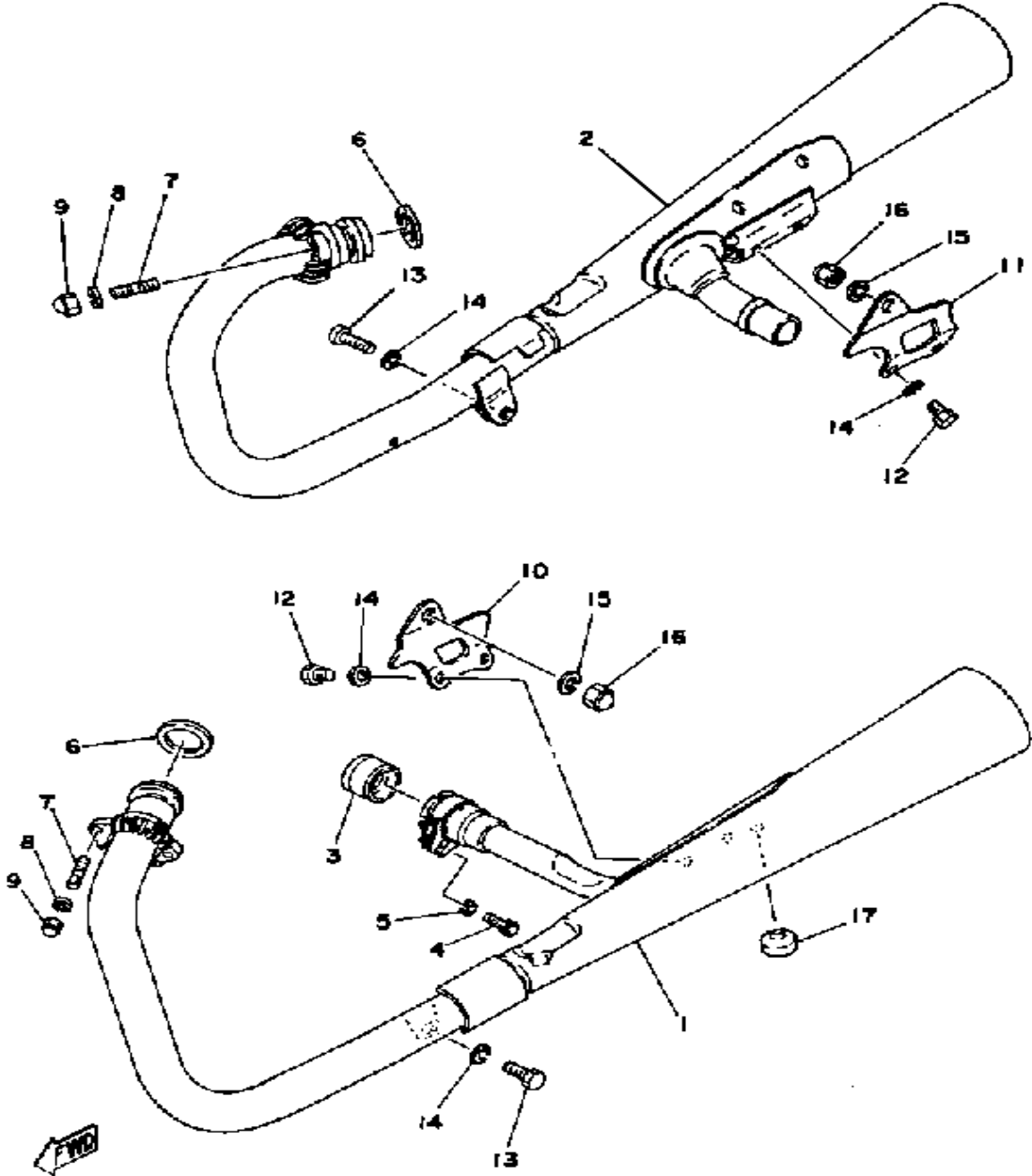
CARBURETOR



Ref. No.	Part Number	Description	Qty	Remarks
30	3F7-14133-00-00	.. SPRING, THROTTLE STOP	1	
31	584-14992-00-00	.. ROD	1	
32	(584-14934-00-00)	SPRING, THRTL STOP	1	
33	256-14937-00-00	.. CLIP	1	
34	3F7-14934-00-00	.. SPRING, THRTL STOP	1	
35	12R-1490K-00-00	.. STOP SCREW SET	2	
36	3F7-14135-00-00	.. SPRING, PLUNGER	2	
37	3F7-14174-00-00	.. CAP, PLUNGER	2	
38	3F7-14173-00-00	.. COVER, PLUNGER CAP	2	
39	3F7-14171-00-00	. PLUNGER, STARTER	2	
40	1L9-14952-00-00	.. WASHER	2	
41	1A8-14991-00-00	.. SCREW	2	
42	98580-05016-00	.. SCREW, PAN HEAD	8	
43	92990-05100-00	.. WASHER, SPRING	8	
44	3G2-14231-27-00	.. JET, MAIN (#135)	2	
45	3G1-14988-00-00	.. PIPE, STARTER CON	1	
46	3G1-14977-00-00	. SHAFT, STARTER LVR	1	
47	583-14589-00-00	. SPRING	2	
48	93501-08001-00	. BALL	2	
49	584-14991-00-00	. SCREW	2	
50	3F7-14905-00-00	. LEVER, STARTER	2	
51	3F9-14118-00-00	CAP	1	
	98503-06014-00	. SCREW, PAN HEAD	4	

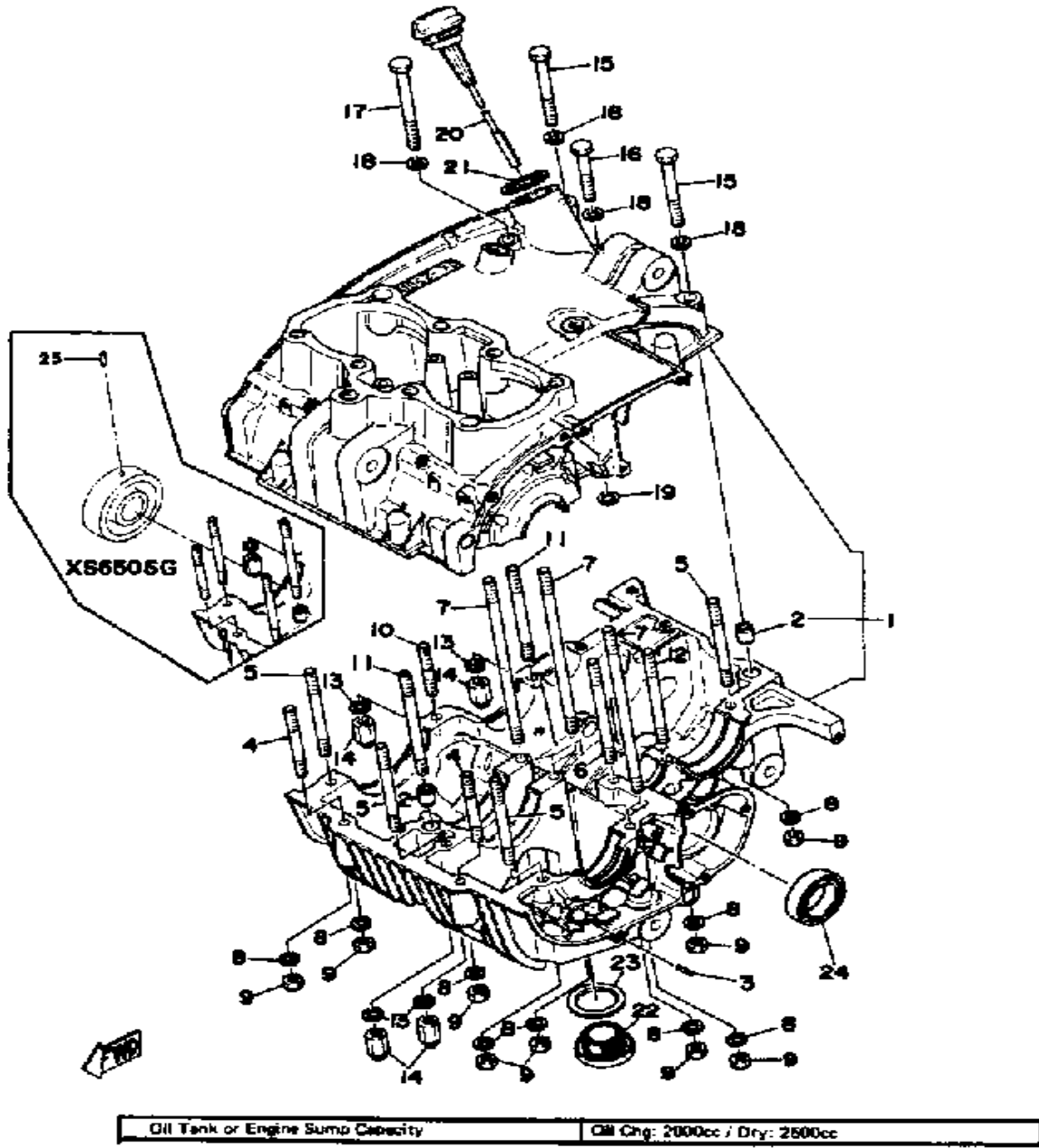
CARBURETOR – Mfr./Type/I.D. Number	Mikuni / BS34 / 3G1-00
Main Jet/Pilot Jet	132.5 / 42.5
Needle Jet/Jet Needle-Clip Position	Y-O / 5HX12-Fixed
Slide Cutaway or Throttle Valve	135
Float Level	27.3 ± 0.5mm
Idle RPM	1200
CO % @ Idle (Diagnostic Use Only)	3.0 ± 2%

EXHAUST



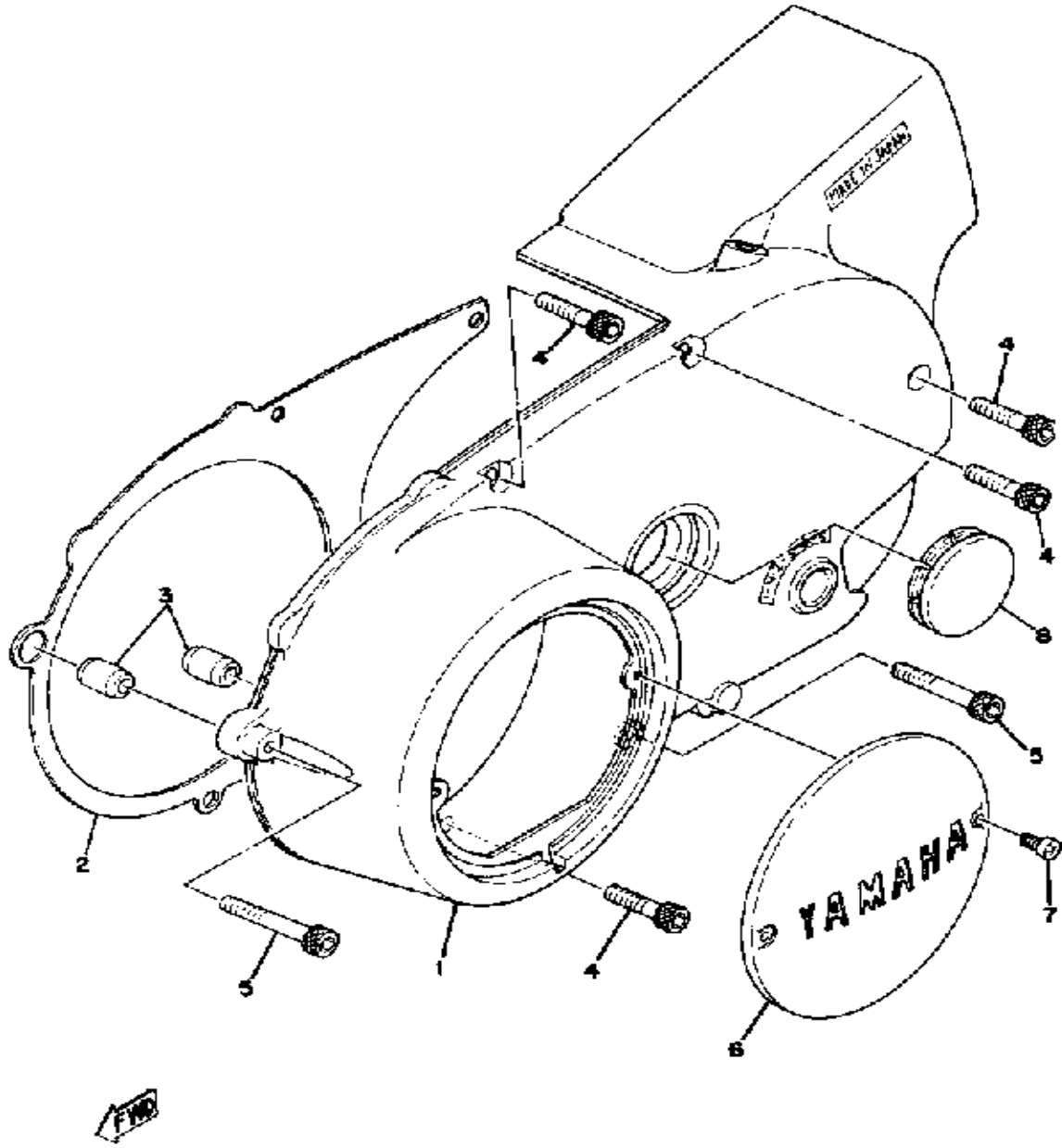
Ref. No.	Part Number	Description	Qty	Remarks
1	2M0-14710-01-00	MUFFLER ASSEMBLY L (2M0-14710-00)	1	
2	2M0-14720-01-00	MUFFLER ASSEMBLY R (2M0-14720-00)	1	
3	1JK-14714-00-00	GASKET, MUFFLER	1	
4	91316-08025-00	BOLT, SOCKET HEAD	1	
5	92990-10100-00	WASHER, SPRING	1	
6	90430-38054-00	GASKET	2	
7	90116-10195-00	BOLT, STUD	4	M10-43L
8	92990-10100-00	WASHER, SPRING	4	
9	95303-10800-00	NUT (CROWN)	4	
10	2M0-14771-01-00	STAY, MUFFLER 1	1	
11	2M0-14781-01-00	STAY, MUFFLER 2	1	
12	97011-10016-00	BOLT, HEXAGON	4	
13	90105-10058-00	BOLT, WASHER BASED	2	
14	92990-10100-00	WASHER, SPRING	6	
15	92901-12100-00	WASHER, SPRING	2	
16	95303-12800-00	NUT (CROWN)	2	
17	371-27114-00-00	STOPPER, MAIN STAND	1	

CRANKCASE



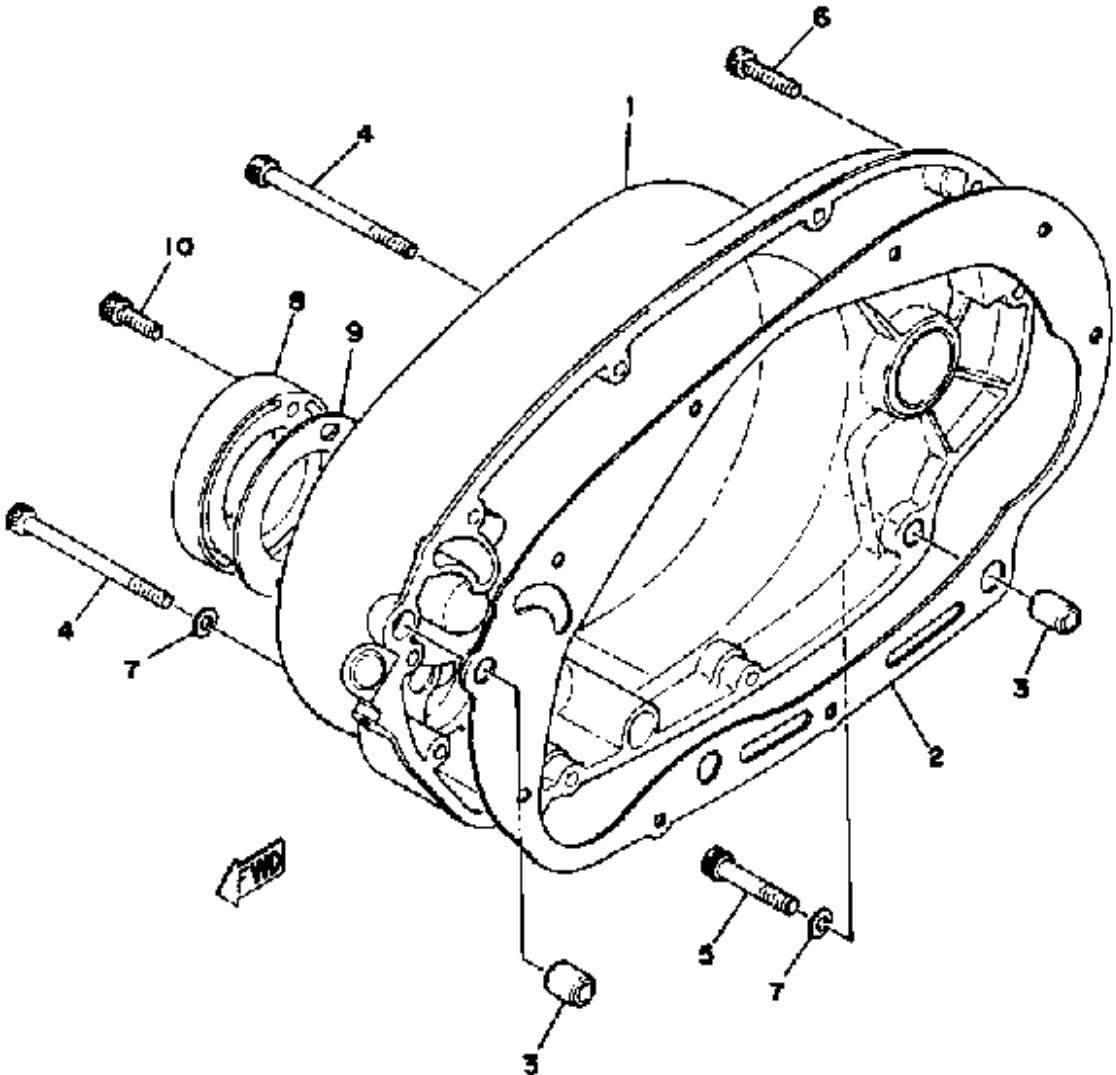
Ref. No.	Part Number	Description	Qty	Remarks
1	(306-15100-03-00)	CRANKCASE ASSEMBLY	1	
2	99510-12016-00	. PIN, DOWEL	2	
3	93603-14026-00	PIN, DOWEL	1	
4	90116-08196-00	BOLT, STUD	2	M8-76L
5	90116-08064-00	BOLT, STUD	4	M8-97L
6	90116-08232-00	BOLT, STUD	1	M8-116L
7	(90116-08199-00)	BOLT, STUD	3	M8-186L
8	92990-08200-00	WASHER, PLAIN	8	
9	95333-08600-00	NUT	8	
10	90116-08047-00	BOLT, STUD (306-15192-00)	1	M8-54L
11	90116-08066-00	BOLT, STUD	2	M8-103L
12	90116-08055-00	BOLT, STUD	1	M8-68L
13	90430-08143-00	GASKET	6	
14	90176-08019-00	NUT, CROWN	6	
15	97013-08075-00	BOLT	2	
16	97313-08055-00	BOLT, HEXAGON	1	SE -114240
	97313-08055-00	BOLT, HEXAGON	1	SE 114241-
17	97023-08090-00	BOLT (97321-08090)	1	
18	92990-08200-00	WASHER, PLAIN	4	
19	256-15395-00-00	GASKET, OIL SEALING	1	
20	256-15362-02-00	PLUG, OIL LEVEL	1	
21	90430-29114-00	GASKET	1	
22	256-15351-00-00	PLUG, DRAIN	1	
23	256-15353-00-00	GASKET, DRAIN	1	
24	93102-34095-00	OIL SEAL, SD-TYPE	1	
25	93605-12069-00	PIN, DOWEL	4	

CRANKCASE COVER (LEFT)



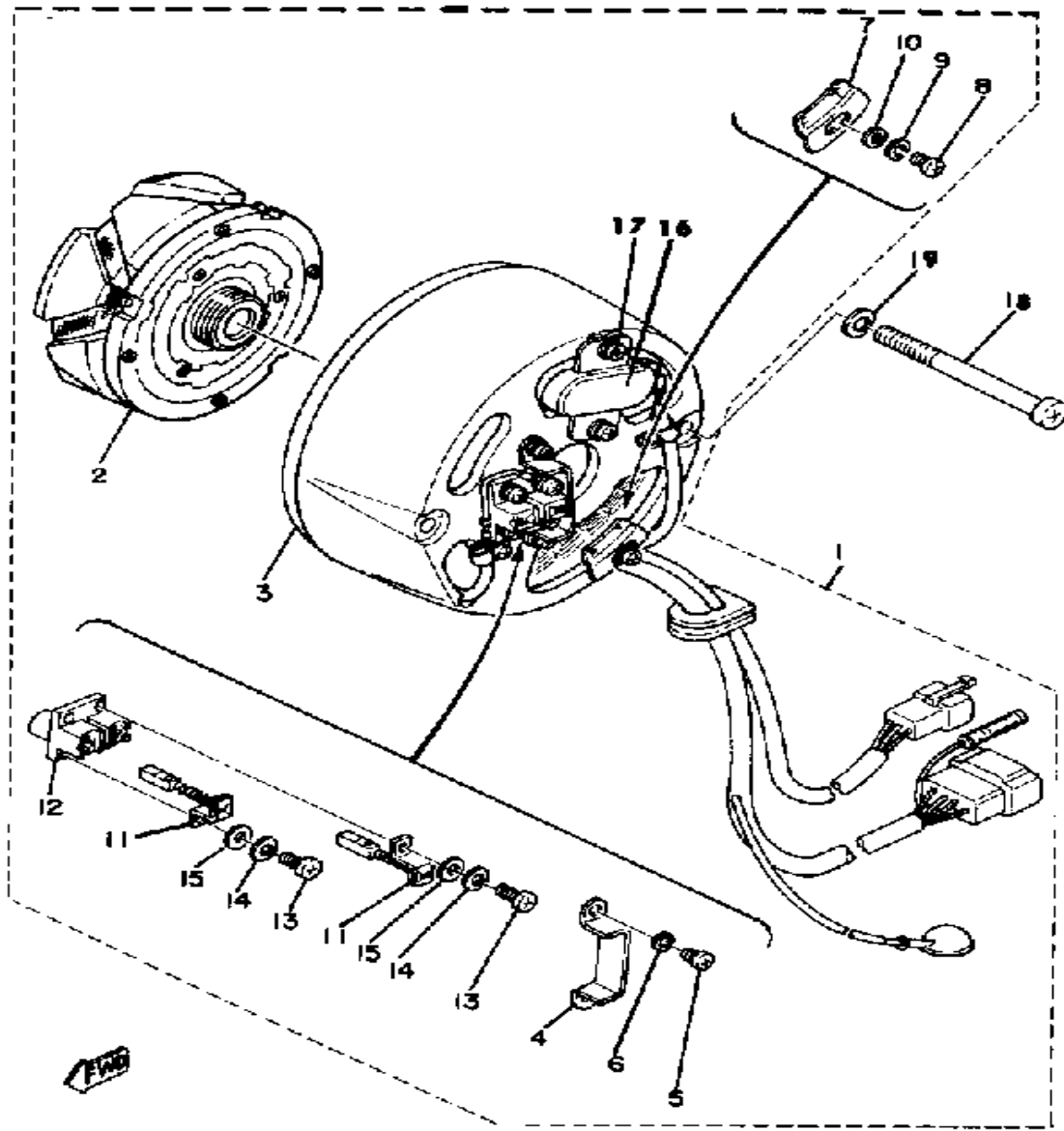
Ref. No.	Part Number	Description	Qty	Remarks
1	584-15411-00-00	COVER, CRANKCASE L	1	
2	306-15461-00-00	GASKET, CRCS CVR 2	1	
3	99510-12016-00	PIN, DOWEL	2	
4	91316-06025-00	BOLT	4	
5	91316-06040-00	BOLT, SOCKET HEAD	2	
6	256-15425-00-00	COVER, GENERATOR R	1	
7	98580-05010-00	SCREW, PAN HEAD	2	
8	1J7-15417-02-00	COVER, CAP	1	

CRANKCASE COVER (RIGHT)



Ref. No.	Part Number	Description	Qty	Remarks
1	2H7-15361-00-00	. GAUGE, LEVEL	1	
	4E3-15421-00-00	. COVER, CRANKCASE R	1	
	99999-01146-00	CVR CRANKCASE RH (256-15421-04)	1	
2	256-15451-00-00	GASKET, CRCS COVER	1	
3	99510-12016-00	PIN, DOWEL	2	
4	91316-06075-00	BOLT	4	
5	91316-06040-00	BOLT, SOCKET HEAD	1	
6	91316-06025-00	BOLT	5	
7	90430-06014-00	GASKET	4	
8	256-15416-02-00	COVER, OIL PUMP	1	
9	256-15456-00-00	GASKET, O/PMP CVR 1	1	
10	91316-06025-00	BOLT	2	

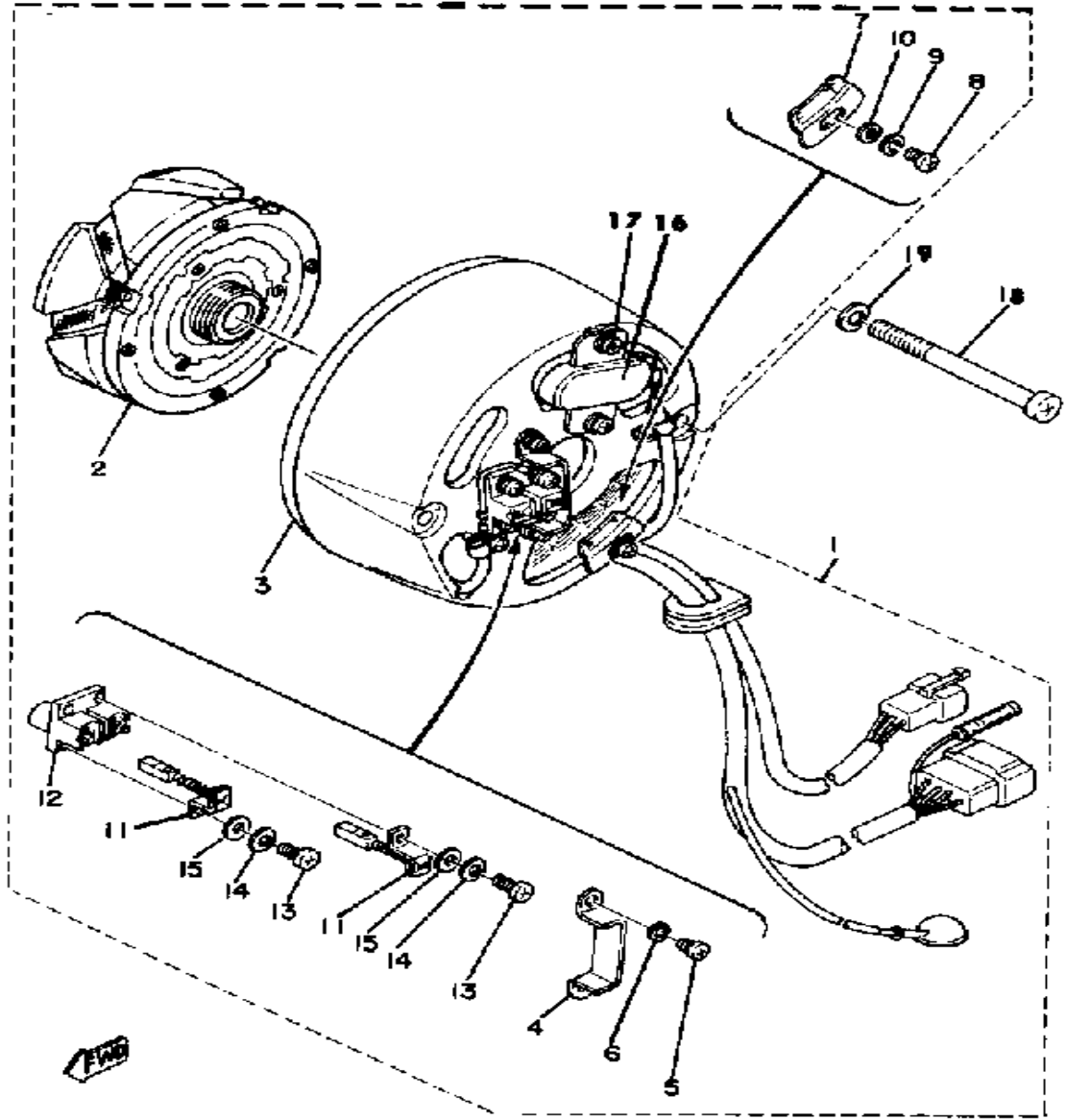
A - C - GENERATOR



Ref. No.	Part Number	Description	Qty	Remarks
1	306-81600-14-00	AC GENERATOR ASSEMBLY	1	
2	256-81650-11-00	. ROTOR ASSEMBLY	1	
3	306-81610-12-00	. STATOR ASSEMBLY	1	
4	(256-81614-10-00)	PROTECTOR	1	
5	98580-04008-00	.. SCREW, PAN HEAD	2	
6	92901-04100-00	.. WASHER, SPRING	2	
7	256-81611-11-00	.. BRUSH 1	1	SE 114241-
	256-81612-11-00	.. BRUSH 2	1	SE -114140
8	256-81611-11-00	.. BRUSH 1	1	SE -114240
	256-81612-11-00	.. BRUSH 2	1	SE 114241-
9	256-81613-10-00	.. HOLDER, BRUSH	1	
10	98511-04012-00	.. SCREW, PAN HEAD	4	
11	92901-04100-00	.. WASHER, SPRING	4	
12	95301-04600-00	.. NUT	1	
13	98501-06075-00	SCREW, PAN HEAD	2	
14	92995-06100-00	WASHER, SPRING	2	

CHARGING SYSTEM	
Battery: Model / Spec. Grav. / Chg. Rate	AG Generator / 3 Phase / Full Wave Yucca YB 14L-A2 (12V 14AH) / 1.28 / 1.4A
Maximum Output	14V 15A @ 6000 rpm
Field Coil Color Code / Ω	Blue: Blue - 5cm $\pm 10\%$ Green: White - 10cm $\pm 10\%$

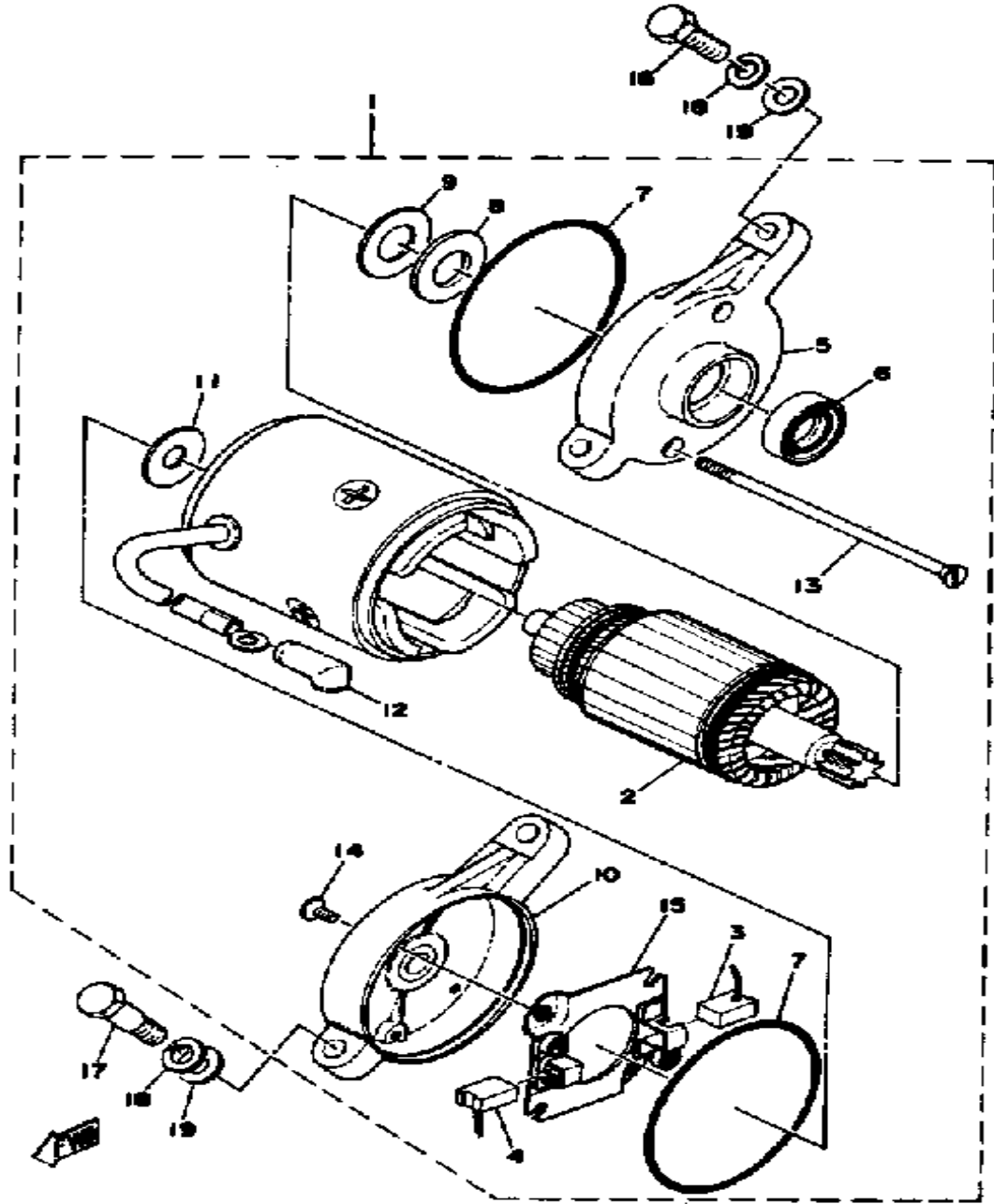
A - C - GENERATOR



Ref. No.	Part Number	Description	Qty	Remarks
1	(3G1-81600-10-00)	AC GENERATOR ASSEMBLY	1	
2	3G1-81650-10-00	. ROTOR ASSEMBLY	1	
3	3G1-81610-10-00	. STATOR ASSEMBLY	1	
4	(256-81614-10-00)	PROTECTOR	1	
5	98580-04008-00	.. SCREW, PAN HEAD	2	
6	92901-04100-00	.. WASHER, SPRING	2	
7	(3G1-81632-10-00)	PLATE, TIMING	1	
8	98580-04008-00	.. SCREW, PAN HEAD	1	
9	92901-04100-00	.. WASHER, SPRING	1	
10	92990-04200-00	.. WASHER	1	
11	256-81611-11-00	.. BRUSH 1	2	
12	3G1-81613-10-00	.. HOLDER, BRUSH	1	
13	98511-04012-00	.. SCREW, PAN HEAD	4	
14	92901-04100-00	.. WASHER, SPRING	4	
15	92901-04600-00	.. WASHER, PLATE	4	
16	3G1-81671-10-00	BASE, PICKUP	1	
17	3G1-81674-00-00	BOLT	2	
18	98501-06075-00	SCREW, PAN HEAD	2	
19	92995-06100-00	WASHER, SPRING	2	

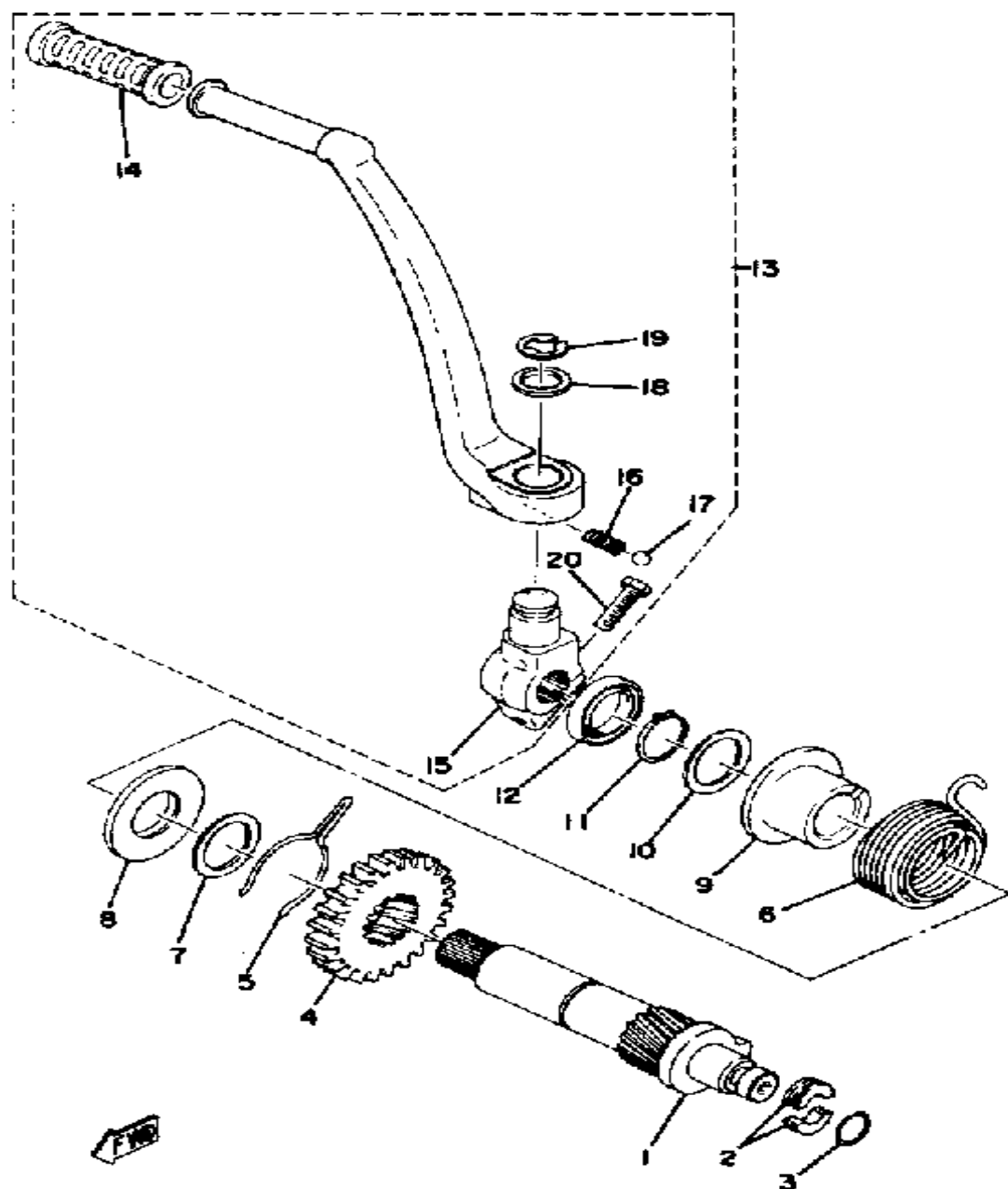
CHARGING SYSTEM	
AC Generator / 3 Phase / Full Wave	
Battery: Model / Spec. Grav. / Chg. Rate	Yucca YB14L-A2 (12V 14AH) / 1.28 / 1.4A
Maximum Output	14V 15A @ 6000 rpm
Field Coil Color Code / Ω	Blue: 0.5-0.7 Ω \pm 10% Green: 0.48 Ω \pm 10%

STARTING MOTOR



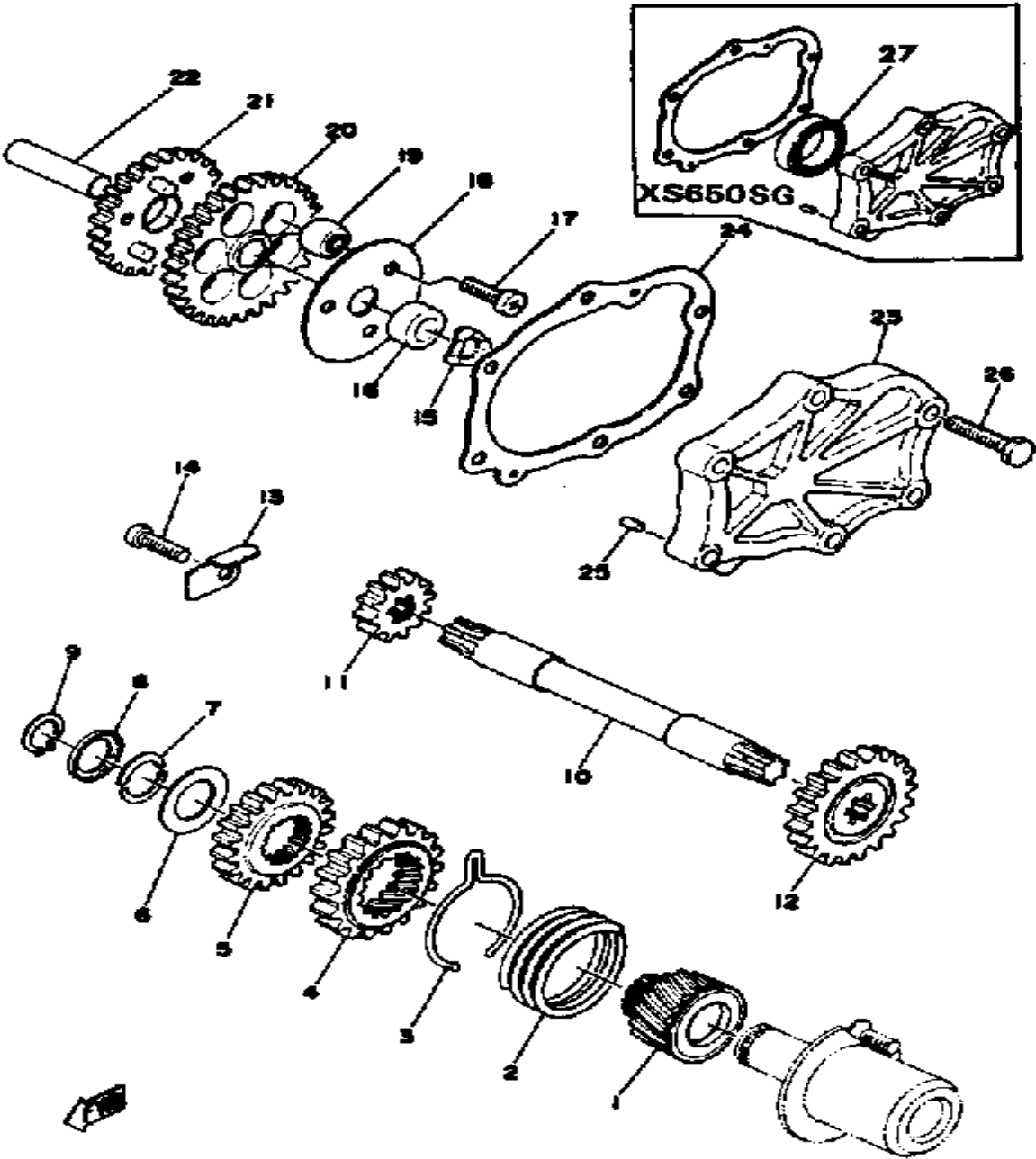
Ref. No.	Part Number	Description	Qty	Remarks
1	306-81800-12-00	STARTING MOTOR ASSEMBLY	1	
2	(306-81850-11-00)	ARMATURE ASSEMBLY	1	
3	306-81811-10-00	. BRUSH 1	1	
4	306-81812-10-00	. BRUSH 2	1	
5	(306-81825-10-00)	WASHER, INSULATOR	1	
6	93101-17047-00	. OIL SEAL, S-TYPE	1	
7	306-81827-10-00	. PIECE, FRICTION	2	
8	(306-81893-10-00)	WASHER, SPECIAL	1	
9	306-81828-10-00	. SHIM, WASHER	1	
10	(306-81826-10-00)	BOLT	1	
11	(306-81829-10-00)	GROMMET	2	
12	306-81862-10-00	. CAP	1	
13	306-81823-10-00	. STAY, STARTING MTR	2	
14	98701-04010-00	. SCREW, FLAT HEAD	2	
15	306-81840-10-00	. BRUSH HOLDER ASSEMBLY	1	
16	(90109-08393-00)	BOLT	2	
17	97313-08035-00	BOLT, HEXAGON	2	
	97321-08038-00	BOLT, HEXAGON	2	
18	92990-08100-00	WASHER, SPRING	4	
19	92990-08200-00	WASHER, PLAIN	4	

KICK-STARTER



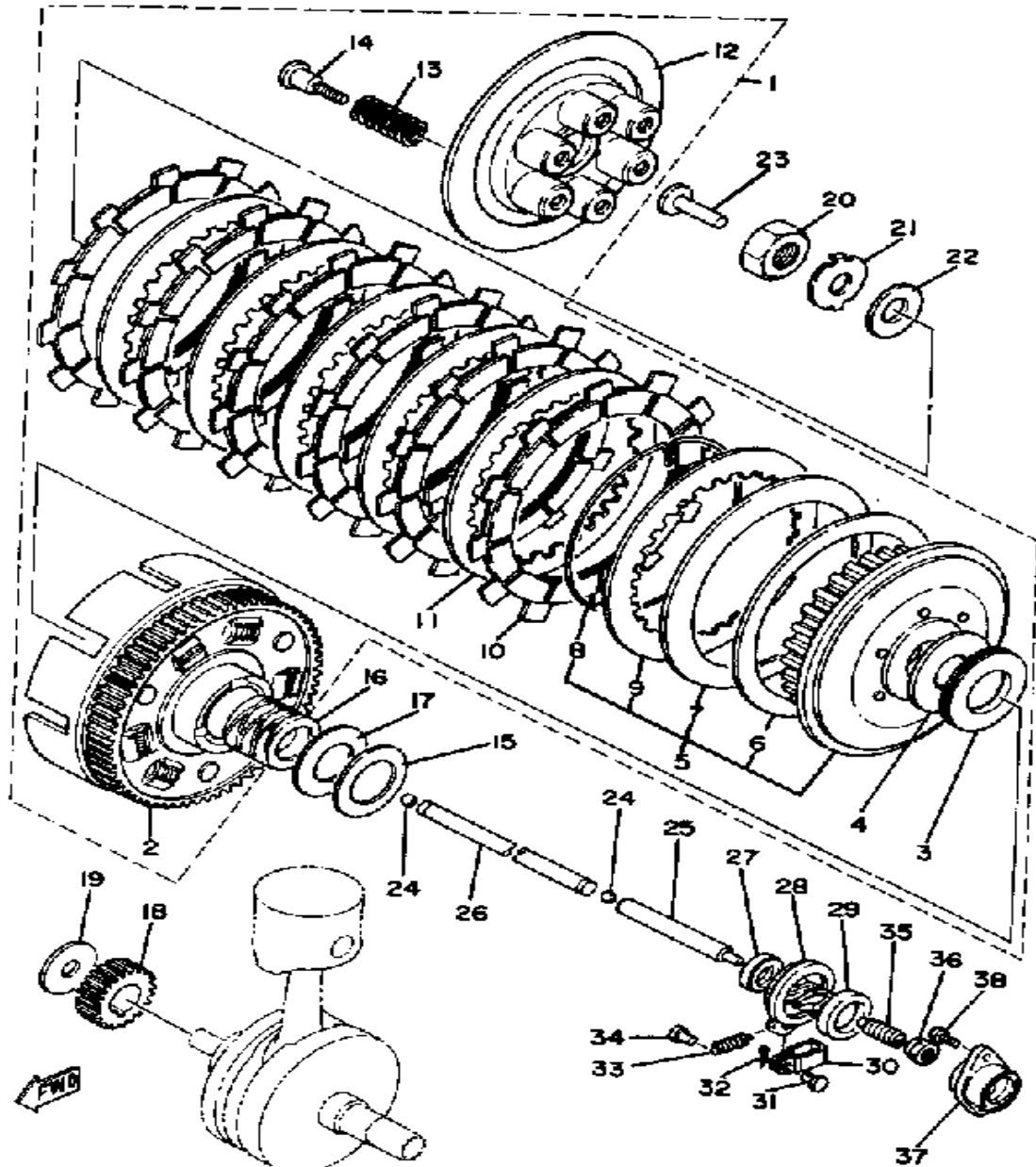
Ref. No.	Part Number	Description	Qty	Remarks
1	(256-15660-02-00)	KICK AXLE ASSEMBLY	1	
2	(256-15654-00-00)	HOLDER, KICK GEAR	2	
3	(256-15673-00-00)	CLIP	1	
4	306-15641-01-00	GEAR, KICK	1	
5	(90468-26044-00)	CLIP	1	
6	90508-32062-00	SPRING, TORSION	1	
7	(611-45567-00-03)	SHIM	1	U.R.
	611-45567-00-01	SHIM (0.1MM)	1	U.R.
	611-45567-00-05	SHIM (0.5MM)	1	
8	90560-25048-00	SPACER (856-23858-00)	2	
9	256-15664-01-00	GUIDE, SPRING	1	
10	90201-256K6-00	WASHER, PLATE	2	
11	93410-25017-00	CIRCLIP	1	
12	93102-25064-00	OIL SEAL	1	
13	2M0-15620-02-00	KICK CRANK ASSEMBLY	1	
14	156-15619-01-00	. UNAVAILABLE IN PRICE BOOK	1	
	214-15618-00-00	. COVER, KICK LEVER	1	
15	(2M0-15621-00-00)	BOSS, KICK CRANK	1	
16	(90501-15091-00)	SPRING, COMPRESSION	1	
17	93505-16006-00	. BALL	1	
18	90201-17256-00	. WASHER, PLATE	1	
19	93430-12022-00	. CIRCLIP, E-TYPE	1	
20	97313-08030-00	. BOLT, HEXAGON	1	

STARTING MOTOR UNIT



Ref. No.	Part Number	Description	Qty	Remarks
1	306-Y1554-00-00	WHEEL STARTER	1	
2	90501-15409-00	SPRING, COMPRESSION	1	
3	90468-29062-00	CLIP	1	
4	447-15516-00-00	GEAR 4	1	
5	306-15515-00-00	GEAR 3	1	
6	90201-17257-00	WASHER, PLATE	1	
7	306-15562-00-00	CLIP	2	
8	306-15563-00-00	HOLDER, CLIP	1	
9	99009-17400-00	CIRCLIP	1	
10	306-15522-00-00	SHAFT 2	1	
11	306-15514-00-00	GEAR 2	1	
12	306-15513-00-00	GEAR 1	1	
13	447-15531-00-00	PLATE, STOPPER	1	
14	98580-06020-00	SCREW, PAN HEAD	1	
15	90206-12074-00	WASHER, WAVE	1	
16	90387-12093-00	COLLAR	1	
17	98580-06018-00	SCREW, PAN HEAD (N15)	3	
18	306-15532-00-00	PLATE, IDLE GEAR	1	
19	306-15571-00-00	ABSORBER	6	
20	(306-15512-00-00)	GEAR, IDLER 1	1	
21	306-15517-00-00	GEAR, IDLER 2	1	
22	1AE-15521-00-00	SHAFT 1	1	
23	(306-15431-00-00)	COVER, CRANKCASE 3	1	
24	306-15452-00-00	GASKET, GR CRNK CVR	1	
25	93604-08071-00	PIN, DOWEL	2	
26	97011-06025-00	BOLT (97001-06025)	6	
27	93102-34095-00	OIL SEAL, SD-TYPE	1	

CLUTCH

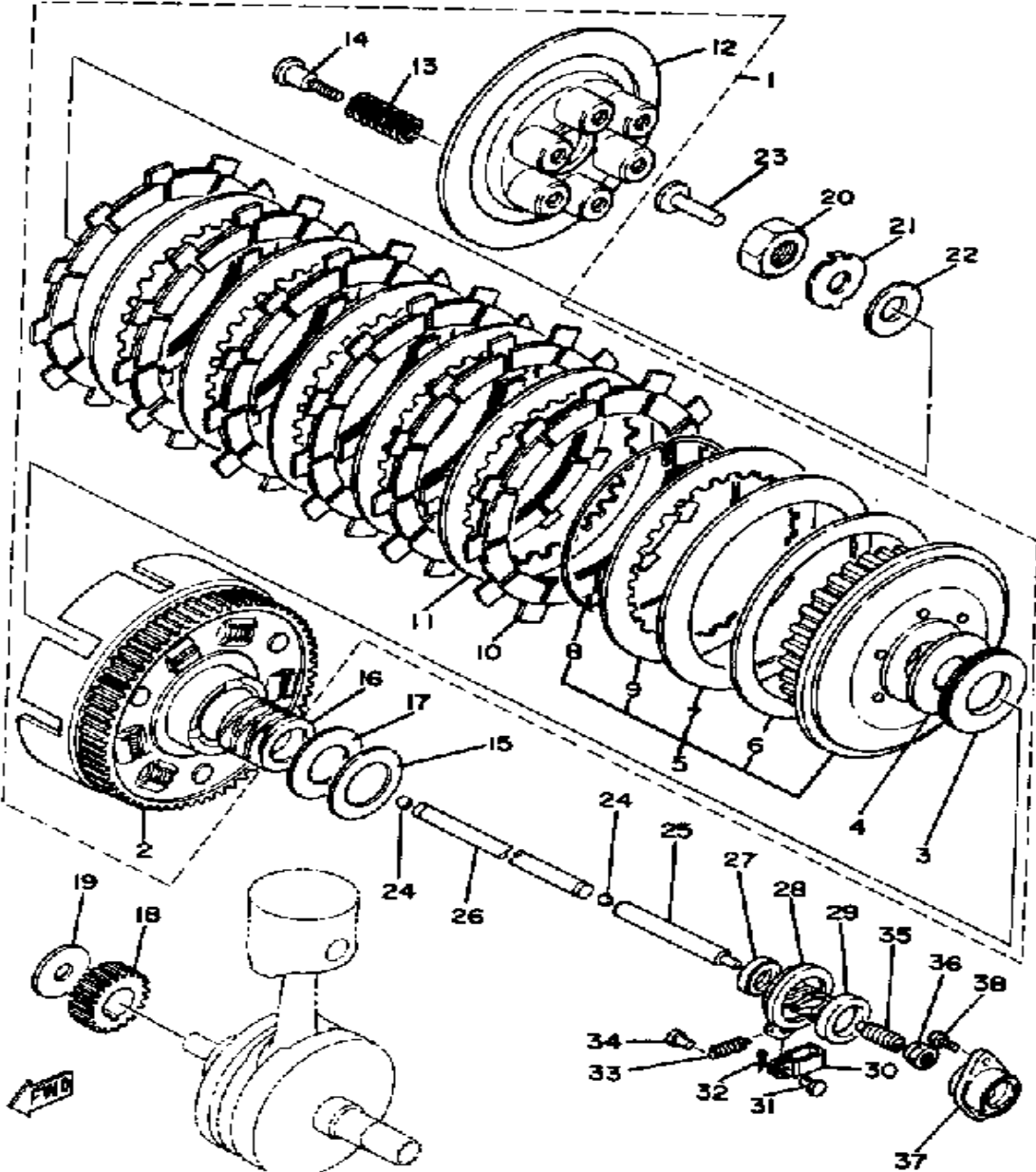


Clutch Friction Plate Thickness Std ~ min.	3.0 ~ 2.7mm
Clutch Spring Length Std ~ min.	34.8 ~ 33.6 mm
Clutch Nut	18 x 1.0; 8.0 m.kn

Ref. No.	Part Number	Description	Qty	Remarks
1	(447-16301-02-00)	CLUTCH ASSEMBLY	1	
2	(256-16150-02-00)	PRI DRVN GEAR	1	
3	93341-23504-00	. BEARING, FLAT # 1	1	
4	170-16164-00-00	. PLATE, THRUST 2	1	
5	(341-16371-10-00)	BOSS, CLUTCH	1	
6	341-16321-13-00	. PLATE, FRICTION	7	
7	341-16325-01-00	. PLATE, CLUTCH 2	6	
8	341-16351-01-00	. PLATE, PRESSURE 1	1	
9	90501-26148-00	. SPRING, COMPRESSION	1	
	90501-26148-00	. SPRING, COMPRESSION	6	
10	90149-06102-00	. SCREW, SPEC'L SHAPE	6	
11	256-16356-00-00	ROD, PUSH 1	1	
12	90170-18089-00	NUT	1	
13	214-16119-00-00	SPRING, BELLEVILLE	1	
14	92990-18200-00	WASHER	1	
15	90560-25131-00	SPACER	1	
16	170-16164-00-00	PLATE, THRUST 2	1	
17	90201-256K6-00	WASHER, PLATE	1	
18	93505-16006-00	BALL	2	
19	447-16357-01-00	ROD, PUSH 2	1	
20	341-16376-00-00	ROD, PUSH 3	1	
21	93102-08206-00	OIL SEAL, SD-TYPE	1	
22	1T3-16340-00-00	PUSH LEVER ASSEMBLY	1	
23	214-16347-01-00	SEAL, DUST	1	
24	90113-08021-00	BOLT, SET	1	
25	90179-08179-00	NUT	1	
26	371-16396-00-00	HOUSING, PUSH SCREW	1	
27	98580-05012-00	SCREW, PAN HEAD	2	
28	214-16389-00-00	JOINT	1	

CONTINUED ON NEXT FRAME ➤

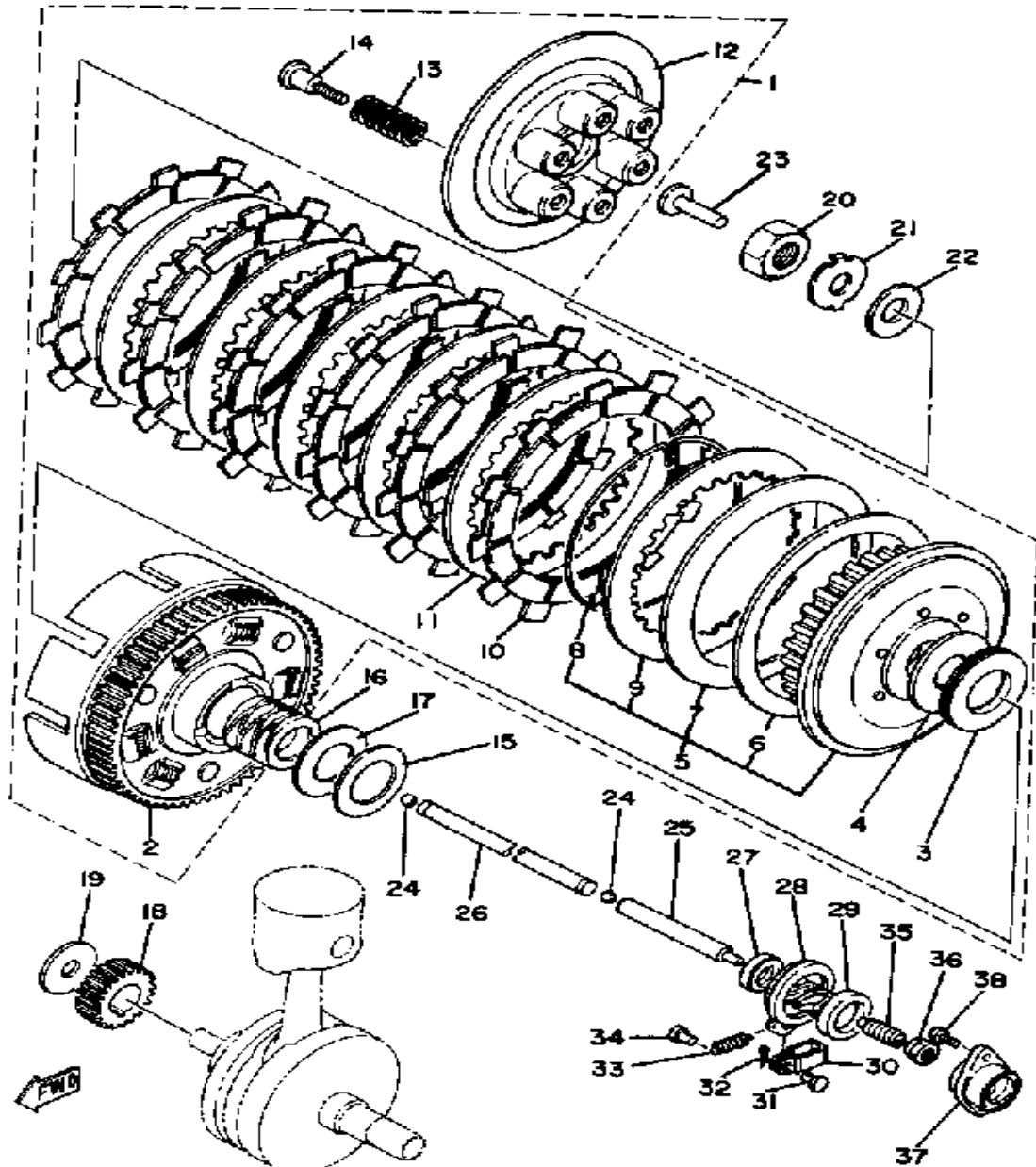
CLUTCH



Ref. No.	Part Number	Description	Qty	Remarks
29	90240-06005-00	PIN, CLEVIS	1	
30	91401-10015-00	PIN, COTTER	1	
31	90506-10023-00	SPRING, TENSION	1	
32	132-16346-00-00	HOOK, SPRING	1	

Clutch Friction Plate Thickness Std ~ min.	3.0 ~ 2.7mm
Clutch Spring Length Std ~ min.	34.8 ~ 33.6 mm
Clutch Nut	18 x 1.0; 8.0 m:kn

CLUTCH

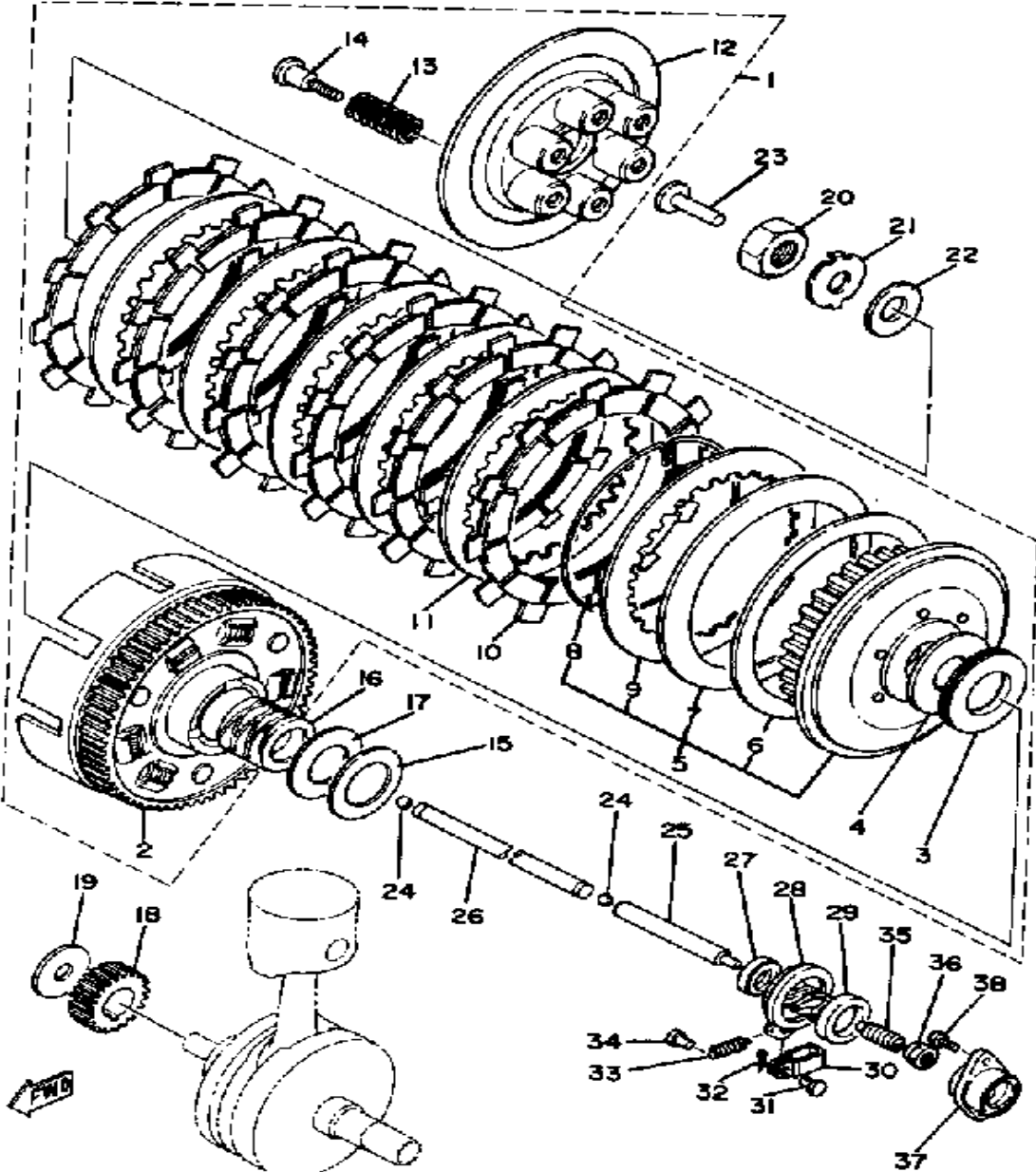


Clutch Friction Plate Thickness Std ~ min.	3.0 ~ 2.7mm
Clutch Spring Length Std ~ min.	34.8 ~ 33.6 mm
Clutch Nut	18 x 1.0; 8.0 m.kn

Ref. No.	Part Number	Description	Qty	Remarks
1	(1T3-16301-00-00)	CLUTCH ASSEMBLY	1	
2	(256-16150-02-00)	PRI DRVN GEAR	1	
3	93341-23504-00	. BEARING, FLAT # 1	1	
4	170-16164-00-00	. PLATE, THRUST 2	1	
5	1T3-16370-00-00	. CLUTCH BOSS ASSEMBLY	1	
6	2H7-16384-00-00	. . PLATE, SEAT	1	
7	2H7-16383-00-00	. SPRING, CLUTCH BOSS	1	
8	1T3-16385-00-00	. . RING, CLUTCH BOSS	1	
9	256-16325-00-00	. . PLATE, CLUTCH 2	1	
10	341-16321-13-00	. PLATE, FRICTION	6	
11	341-16325-01-00	. PLATE, CLUTCH 2	5	
12	341-16351-01-00	. PLATE, PRESSURE 1	1	
13	90501-23142-00	. SPRING, COMPRESSION	6	
14	90149-06102-00	. SCREW, SPEC'L SHAPE	6	
15	90201-256K6-00	WASHER, PLATE	1	
16	90560-25131-00	SPACER	1	
17	170-16164-00-00	PLATE, THRUST 2	1	
18	(256-16111-00-00)	GEAR, PRI DRIVE	1	
19	90201-16579-00	WASHER, PLATE	1	
20	90170-18221-00	NUT	1	
21	90215-19139-00	WASHER, LOCK	1	
22	90208-18025-00	WASHER, CONICAL SPRING	1	
23	256-16356-00-00	ROD, PUSH 1	1	
24	93505-16006-00	BALL	2	
25	447-16357-01-00	ROD, PUSH 2	1	
26	341-16376-00-00	ROD, PUSH 3	1	
27	93102-08206-00	OIL SEAL, SD-TYPE	1	
28	1T3-16340-00-00	PUSH LEVER ASSEMBLY	1	
29	214-16347-01-00	SEAL, DUST	1	

CONTINUED ON NEXT FRAME ➤

CLUTCH

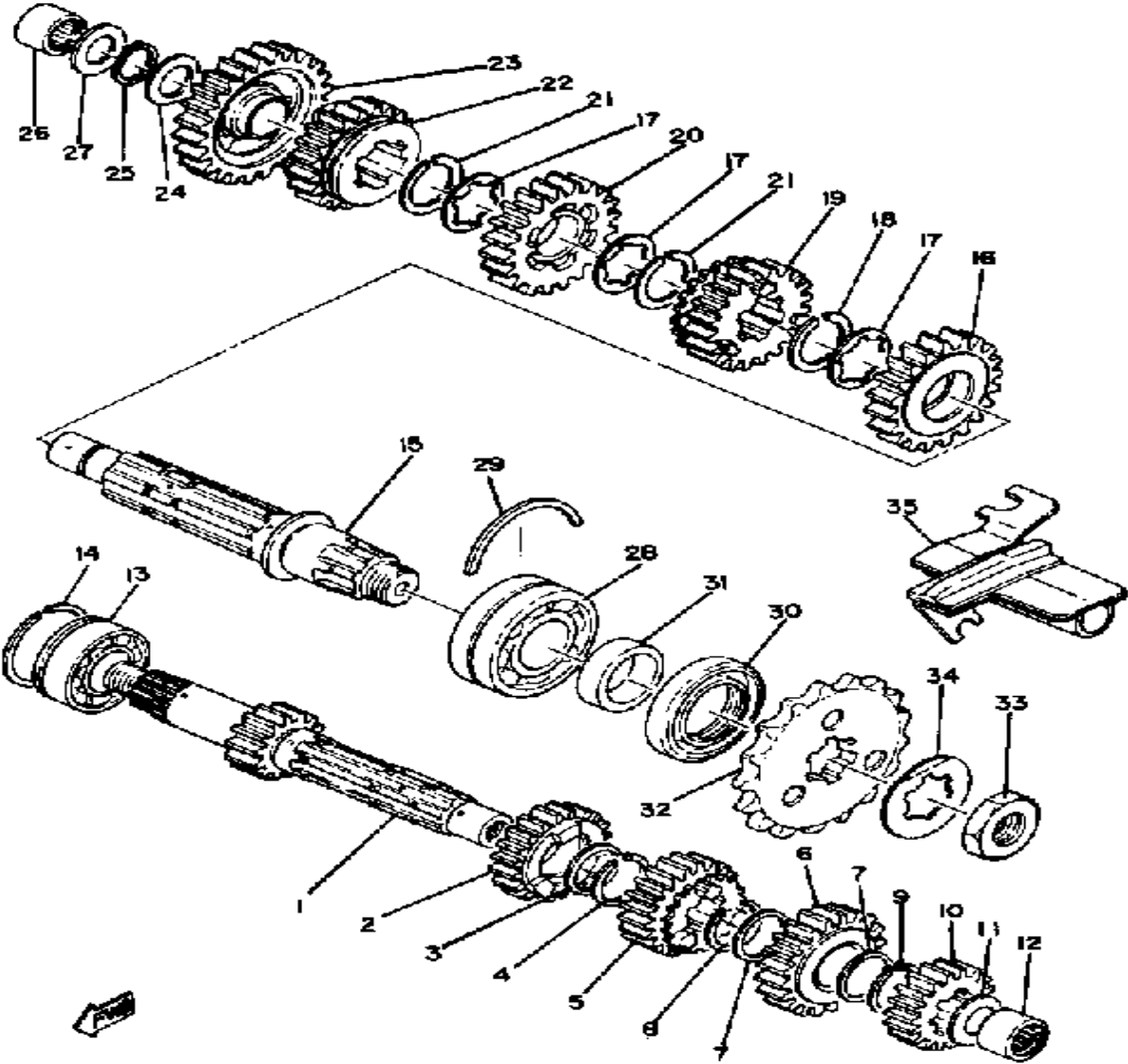


Ref. No.	Part Number	Description	Qty	Remarks
30	214-16389-00-00	JOINT	1	
31	90240-06005-00	PIN, CLEVIS	1	
32	91401-10015-00	PIN, COTTER	1	
33	90506-10023-00	SPRING, TENSION	1	
34	132-16346-00-00	HOOK, SPRING	1	
35	90113-08021-00	BOLT, SET	1	
36	90179-08179-00	NUT	1	
37	371-16396-00-00	HOUSING, PUSH SCREW	1	
38	98580-05012-00	SCREW, PAN HEAD	2	

Clutch Friction Plate Thickness Std ~ min.	3.0 ~ 2.7mm
Clutch Spring Length Std ~ min.	34.8 ~ 33.6 mm
Clutch Nut	18 x 1.0; 8.0 m.kn

TRANSMISSION

TRANSMISSION - Oil Type/Oil Chg/Oil Reassemble	See ENGINE above
Primary Drive Type/Teeth/Ratio	Spur Gear / 72-27 / 2.666
Secondary Drive Type/Teeth/Chain	Chain / 34-17 / DID 530HDS-104L



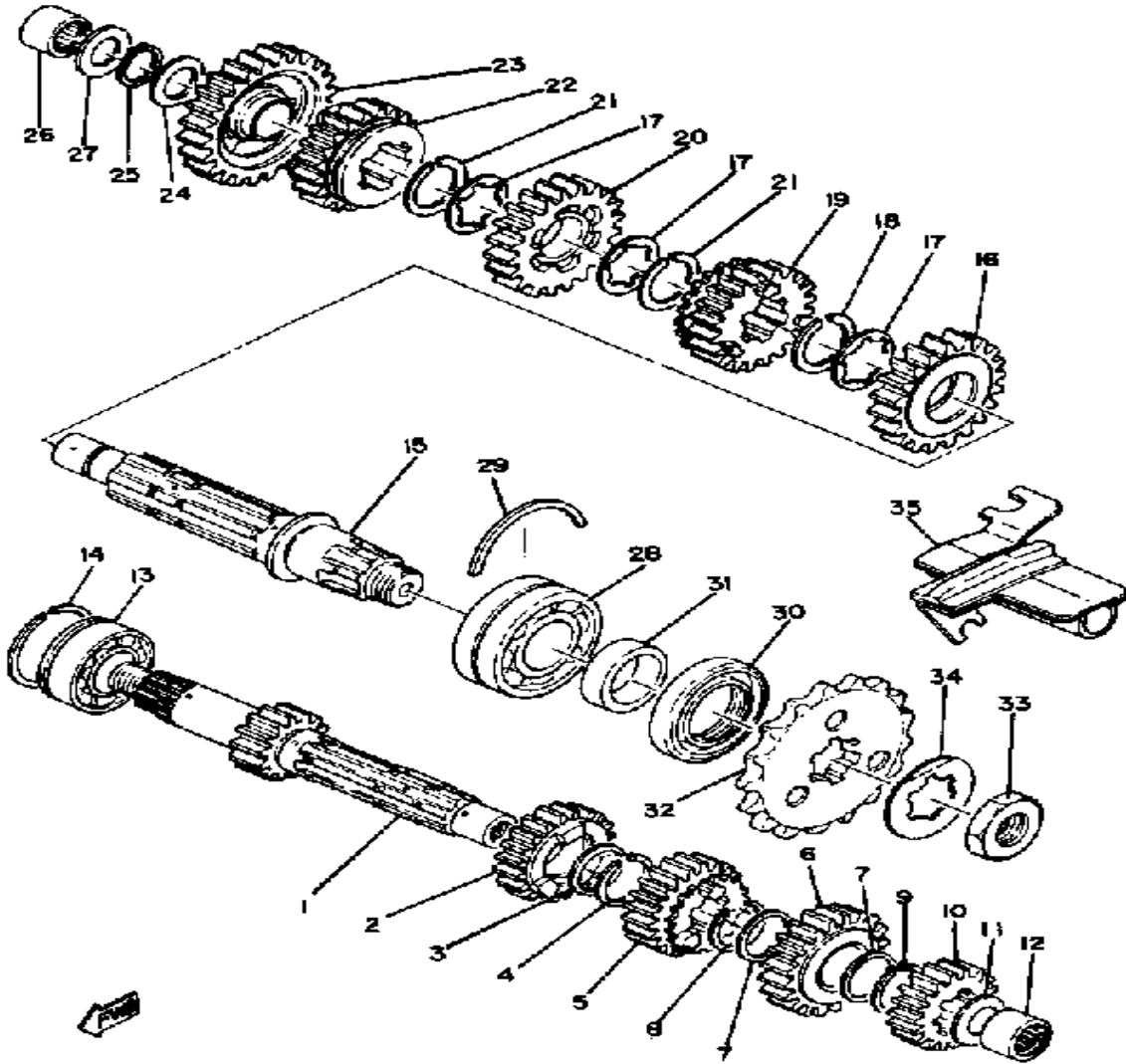
Oiling System	Wet Sump
Capacity: Dry	2500cc
Oil and Filter Change	2000cc
Oil Change	2000cc
Lubricant: Temp above 5°C (40°F)	Yamalube 4* or SAE 20W40 SE
Below 15°C (60°F)	Yamalube 4* or SAE 20W40 SE

Ref. No.	Part Number	Description	Qty	Remarks
1	(306-17411-03-00)	AXLE, MAIN	1	
2	256-17141-02-00	GEAR, 4TH PINION	1	
3	90201-253K0-00	WASHER, PLATE (T=1.0)	3	
4	93440-25020-00	CIRCLIP	2	
5	256-17131-04-00	GEAR, 3RD PINION	1	
6	(341-17151-04-00)	GEAR, 5TH PINION	1	
7	93410-25017-00	CIRCLIP	1	
8	256-17121-01-00	GEAR, 2ND PINION	1	
9	(137-17427-00-09)	SHIM 1	2	U.R. SE 114241-
	137-17427-00-06	SHIM 1	2	U.R. SE -114240
10	93313-32007-00	BEARING, CYLINDER.# 3	1	
11	93305-20504-00	BEARING	1	
12	93440-52014-00	CIRCLIP	1	
13	256-17421-02-00	AXLE, DRIVE	1	
14	256-17221-02-00	GEAR, 2ND WHEEL	1	
15	256-17236-00-10	WASHER, GEAR HOLD 3	2	U.R.
	256-17236-00-12	WASHER, GEAR HOLD 3	3	U.R.
16	93440-30015-00	CIRCLIP, OUTER	3	
17	256-17251-04-00	GEAR, 5TH WHEEL	1	
18	256-17231-04-00	GEAR, 3RD WHEEL	1	
19	256-17241-02-00	GEAR, 4TH WHEEL	1	
20	306-17211-00-00	GEAR, 1ST WHEEL	1	
21	90201-20266-00	WASHER, PLATE (1.0T)	1	
22	93410-20021-00	CIRCLIP, S-TYPE	1	
23	93313-32005-00	BEARING, CYLINDER.# 3	1	
24	93305-20603-00	BEARING	1	
25	168-17424-00-00	CIRCLIP 1	1	
26	90387-30200-00	COLLAR	1	
27	93105-40018-00	OIL SEAL, SDD-TYPE	1	

CONTINUED ON NEXT FRAME ➤

TRANSMISSION

TRANSMISSION - Oil Type/Oil Chg/Oil Reassemble	See ENGINE above
Primary Drive Type/Teeth/Ratio	Spur Gear / 72-27 / 2.666
Secondary Drive Type/Teeth/Chain	Chain / 34-17 / DID 530HDS-104L

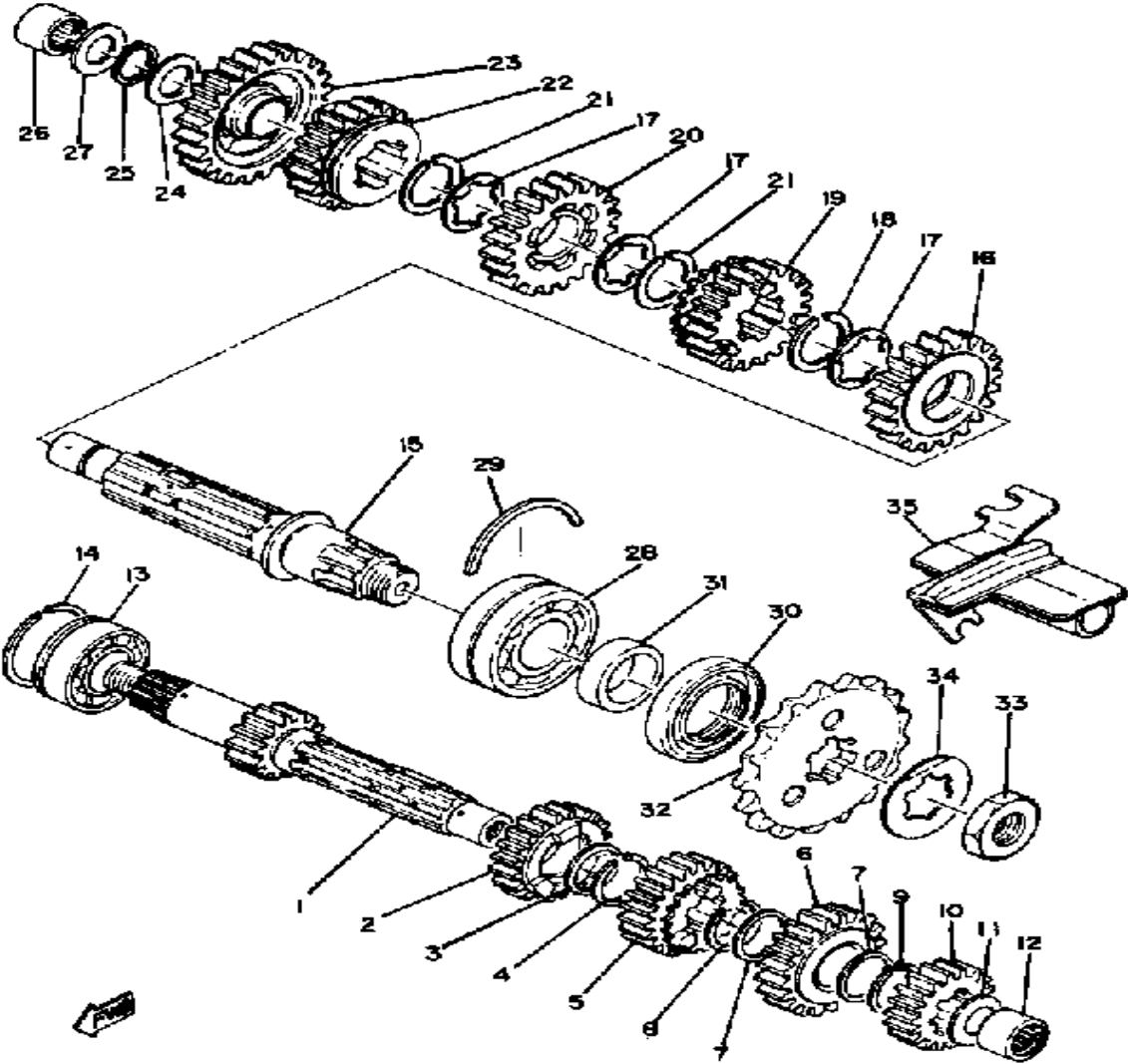


Ref. No.	Part Number	Description	Qty	Remarks
28	93855-17129-00	SPROCKET, DRIVE	1	
29	90215-26024-00	WASHER, LOCK	1	
30	90179-22022-00	NUT, SPEC'L SHAPE	1	

Oiling System	Wet Sump
Capacity: Dry	2500cc
Oil and Filter Change	2000cc
Oil Change	2000cc
Lubricant: Temp above 5°C (40°F)	Yamalube 4 ⁺ or SAE 20W40 SE
Below 15°C (60°F)	Yamalube 4 ⁺ or SAE 20W40 SE

TRANSMISSION

TRANSMISSION - Oil Type/Oil Chg/Oil Reassemble	See ENGINE above
Primary Drive Type/Teeth/Ratio	Spur Gear / 72-27 / 2.666
Secondary Drive Type/Teeth/Chain	Chain / 34-17 / DID 530HDS-104L



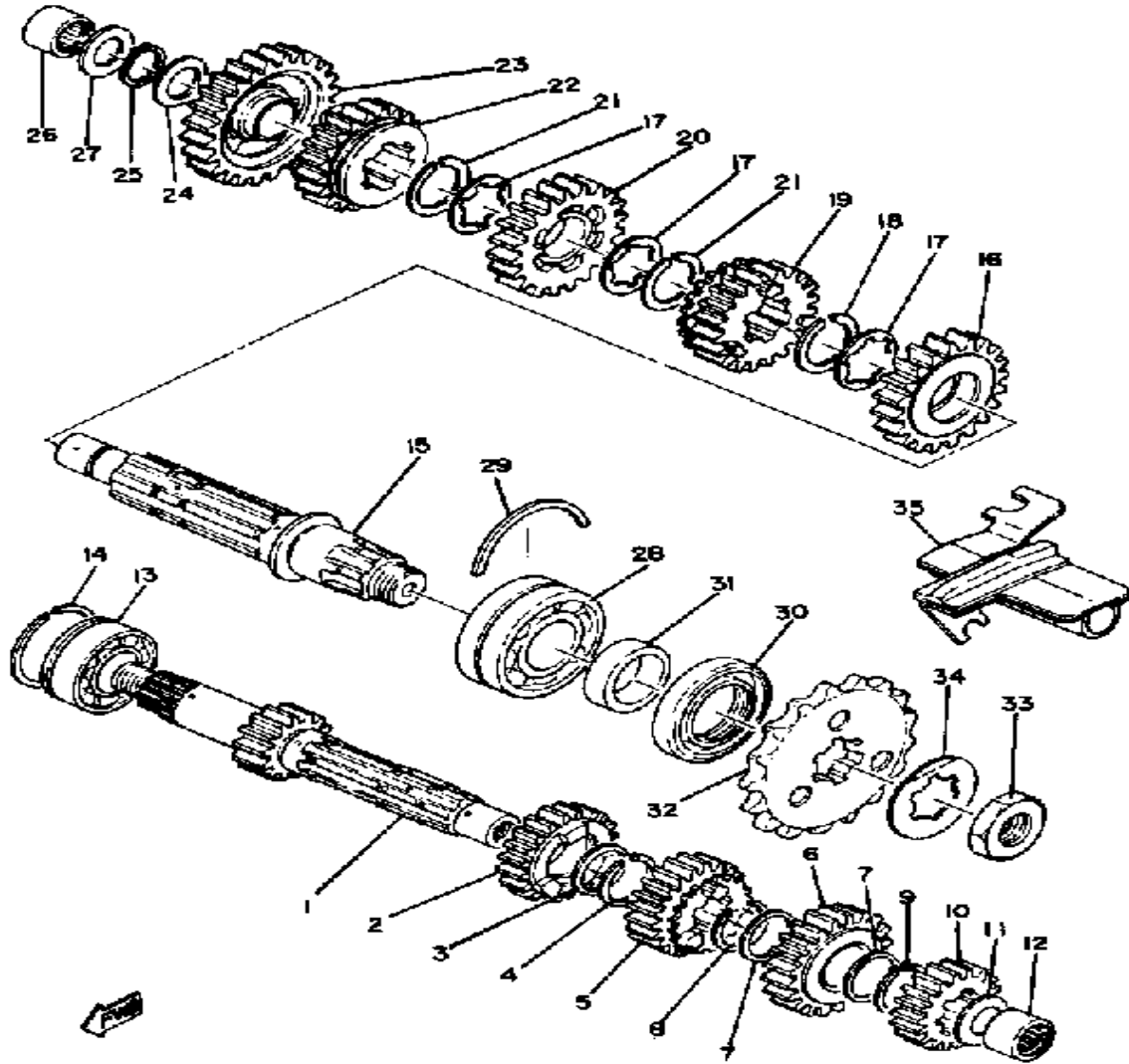
Oiling System	Wet Sump
Capacity: Dry	2500cc
Oil and Filter Change	2000cc
Oil Change	2000cc
Lubricant: Temp above 5°C (40°F)	Yamalube 4 ⁺ or SAE 20W40 SE
Below 15°C (60°F)	Yamalube 4 ⁺ or SAE 20W40 SE

Ref. No.	Part Number	Description	Qty	Remarks
1	(306-17411-03-00)	AXLE, MAIN	1	
2	256-17141-02-00	GEAR, 4TH PINION	1	
3	90201-253K0-00	WASHER, PLATE (T=1.0)	1	
4	93440-25020-00	CIRCLIP	1	
5	256-17131-04-00	GEAR, 3RD PINION	1	
6	(341-17151-04-00)	GEAR, 5TH PINION	1	
7	90201-253K0-00	WASHER, PLATE (T=1.0)	2	
8	93440-25020-00	CIRCLIP	1	
9	93410-25017-00	CIRCLIP	1	
10	256-17121-01-00	GEAR, 2ND PINION	1	
11	(137-17427-00-09)	SHIM 1	1	
12	93313-32007-00	BEARING, CYLINDER.# 3	1	
13	93305-20504-00	BEARING	1	
14	93440-52014-00	CIRCLIP	1	
15	256-17421-02-00	AXLE, DRIVE	1	
16	256-17221-02-00	GEAR, 2ND WHEEL	1	
17	256-17236-00-10	WASHER, GEAR HOLD 3	3	U.R.
	256-17236-00-12	WASHER, GEAR HOLD 3	3	U.R.
18	93440-30015-00	CIRCLIP, OUTER	1	
19	256-17251-04-00	GEAR, 5TH WHEEL	1	
20	256-17231-04-00	GEAR, 3RD WHEEL	1	
21	93440-30015-00	CIRCLIP, OUTER	2	
22	256-17241-02-00	GEAR, 4TH WHEEL	1	
23	306-17211-00-00	GEAR, 1ST WHEEL	1	
24	90201-20266-00	WASHER, PLATE (1.0T)	1	
25	93410-20021-00	CIRCLIP, S-TYPE	1	
26	93313-32005-00	BEARING, CYLINDER.# 3	1	
27	(137-17427-00-09)	SHIM 1	1	
28	93305-20603-00	BEARING	1	

CONTINUED ON NEXT FRAME ➤

TRANSMISSION

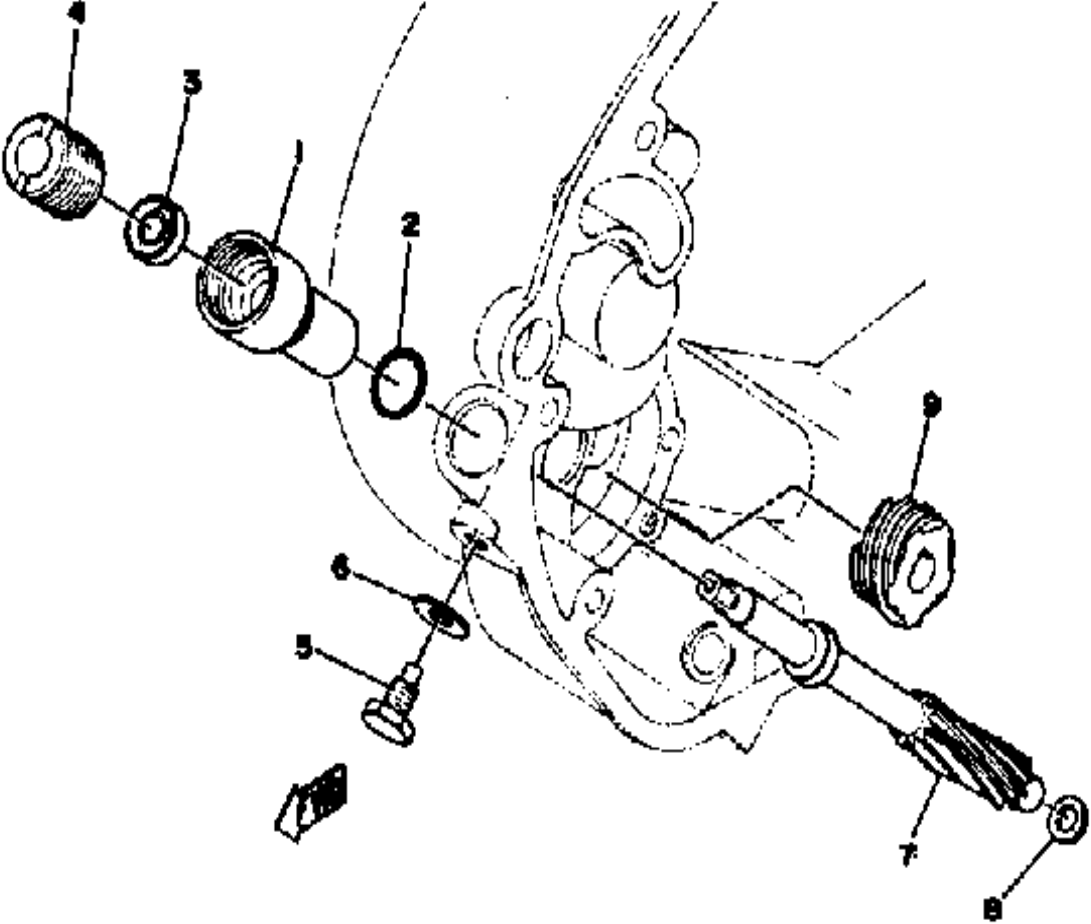
TRANSMISSION - Oil Type/Oil Chg/Oil Reassemble	See ENGINE above
Primary Drive Type/Teeth/Ratio	Spur Gear / 72-27 / 2.666
Secondary Drive Type/Teeth/Chain	Chain / 34-17 / DID 530HDS-104L



Ref. No.	Part Number	Description	Qty	Remarks
29	168-17424-00-00	CIRCLIP 1	1	
30	93105-40018-00	OIL SEAL, SDD-TYPE	1	
31	90387-30200-00	COLLAR	1	
32	93855-17129-00	SPROCKET, DRIVE	1	
33	90179-22022-00	NUT, SPEC'L SHAPE	1	
34	90215-26024-00	WASHER, LOCK	1	
35	447-17467-02-00	GUIDE, CHAIN 1	1	

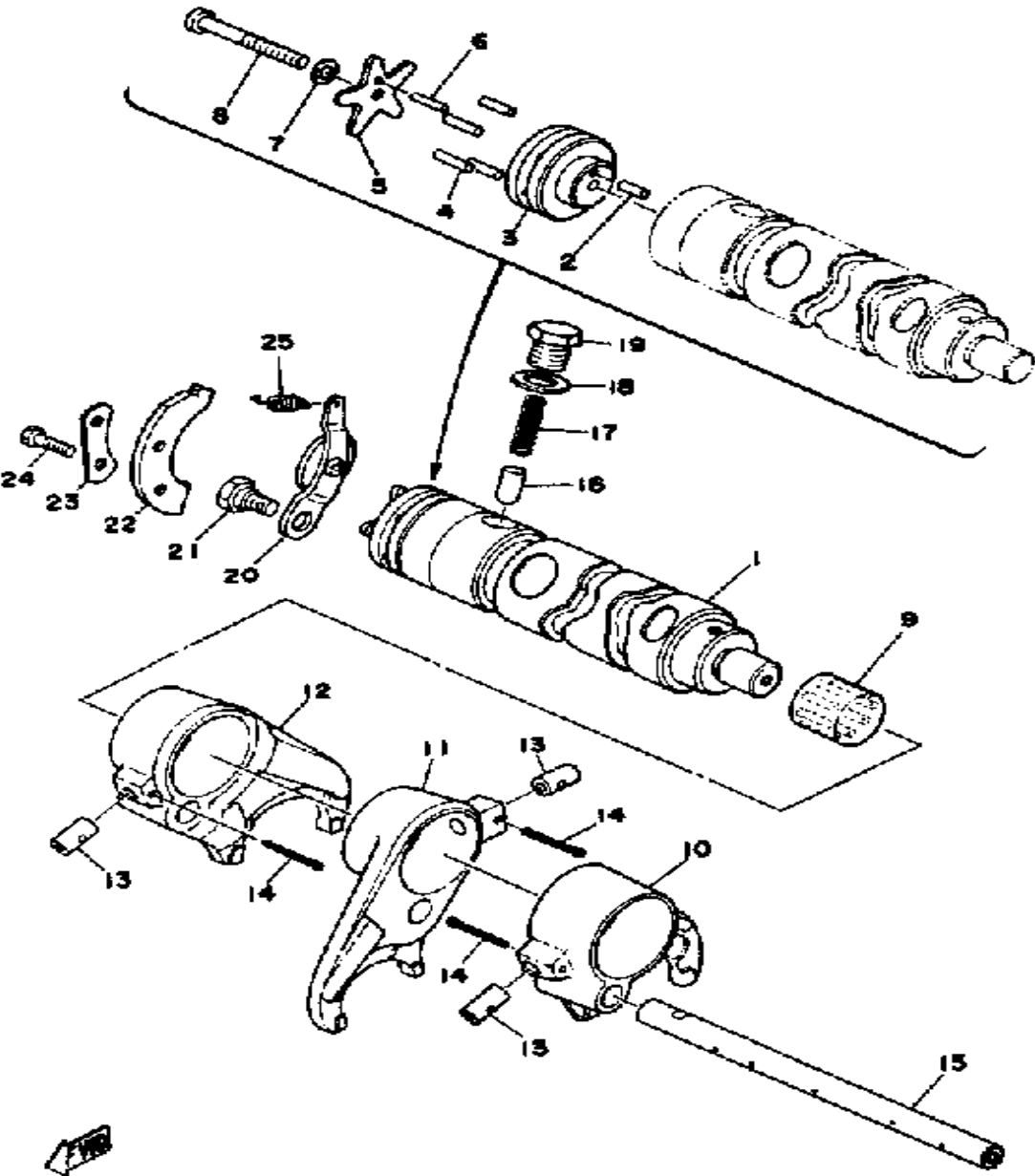
Oiling System	Wet Sump
Capacity: Dry	2500cc
Oil and Filter Change	2000cc
Oil Change	2000cc
Lubricant: Temp above 5°C (40°F)	Yamalube 4 ⁺ or SAE 20W40 SE
Below 15°C (60°F)	Yamalube 4 ⁺ or SAE 20W40 SE

TACHOMETER GEAR



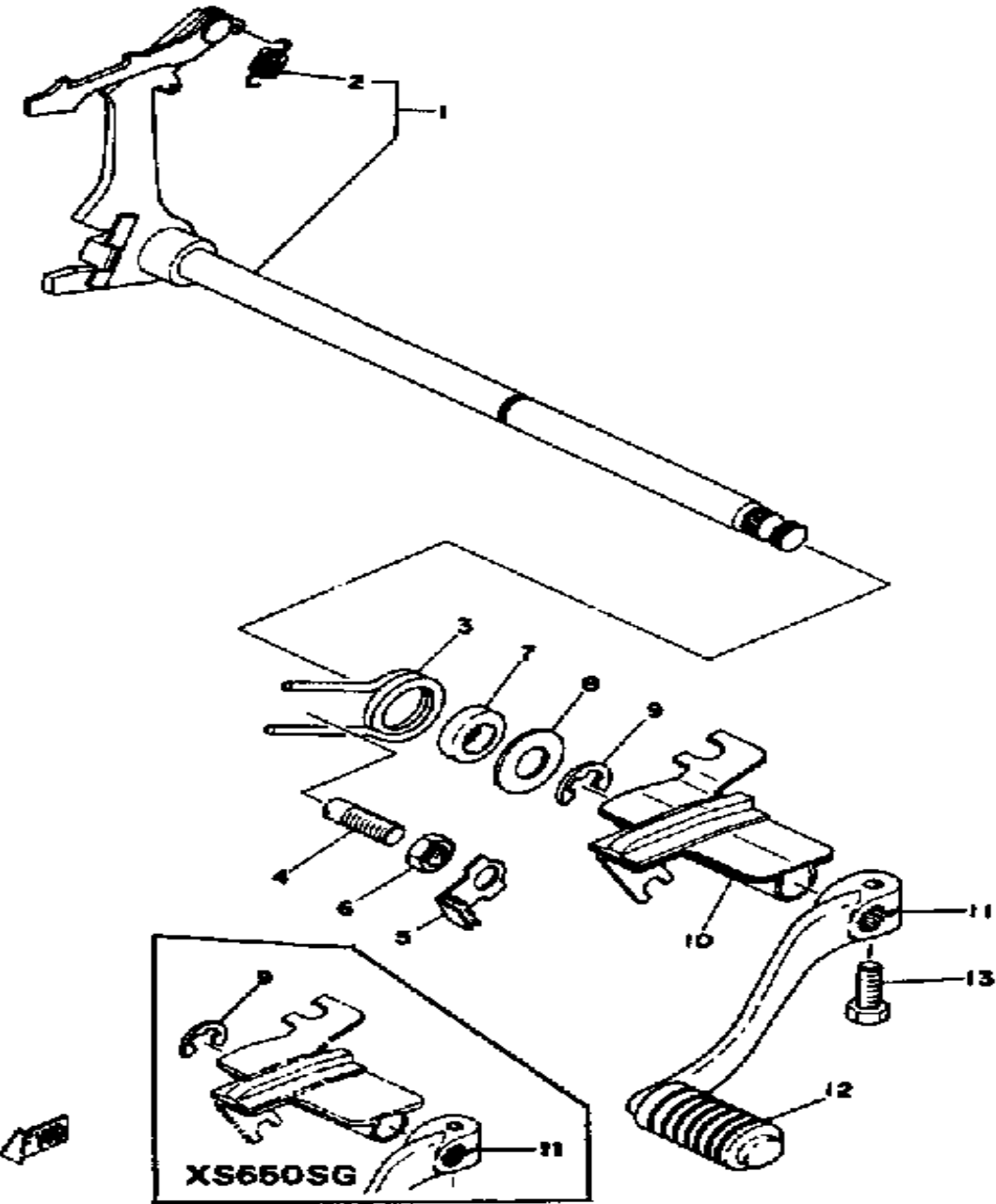
Ref. No.	Part Number	Description	Qty	Remarks
1	256-17811-01-00	HOUSING, TACH GEAR	1	
2	93210-11313-00	O-RING	1	
3	93104-07036-00	OIL SEAL, SO-TYPE	1	
4	256-17848-00-00	ADAPTER	1	
5	90109-06076-00	BOLT	1	
6	90430-06014-00	GASKET	1	
7	256-17841-01-00	GEAR, DRIVEN	1	
8	90201-08624-00	WASHER, PLATE	1	
9	256-17831-00-00	GEAR, DRIVE	1	

SHIFT CAM-FORK



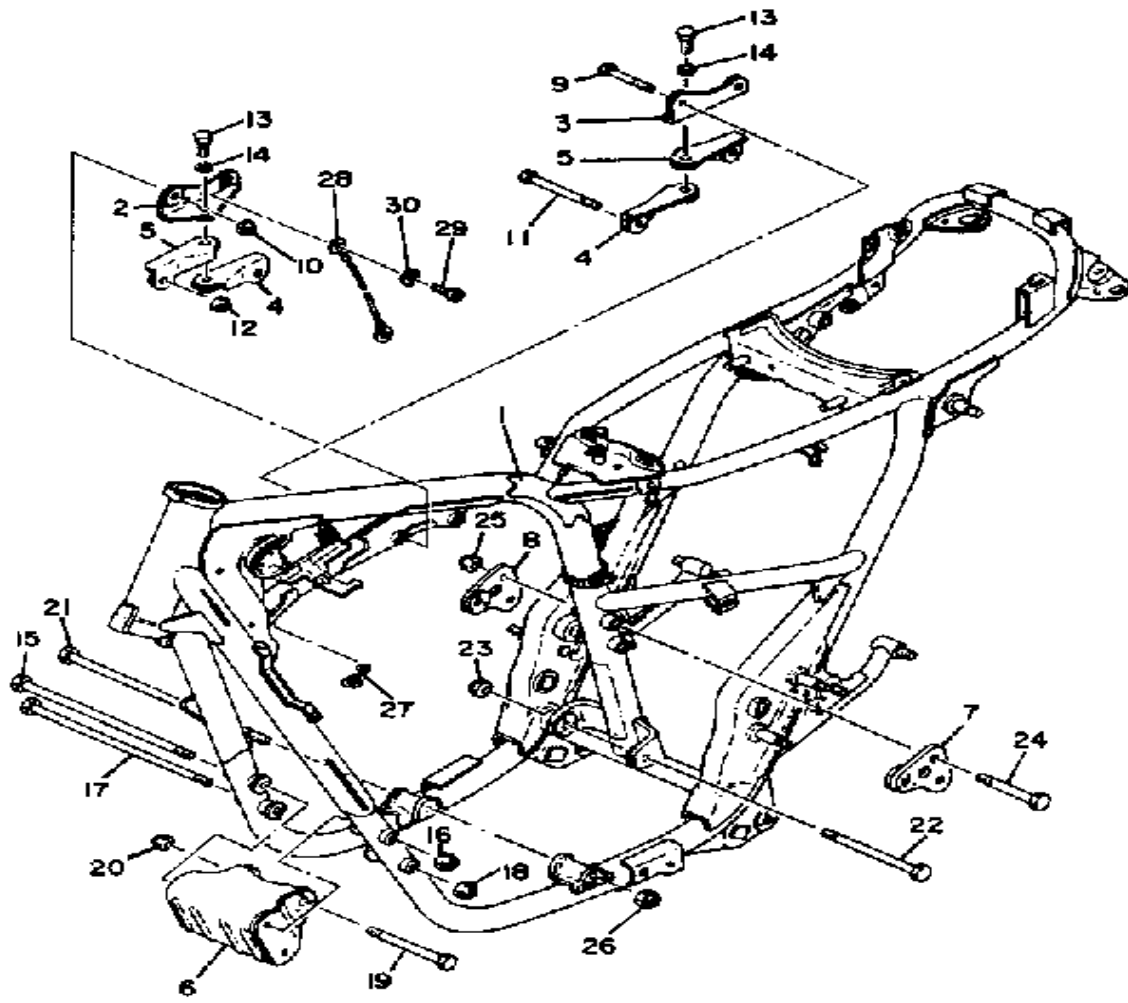
Ref. No.	Part Number	Description	Qty	Remarks
1	306-18540-00-00	SHIFT CAM ASSEMBLY	1	
2	93604-10011-00	. PIN, DOWEL	2	
3	(306-18546-00-00)	CAM, SHIFT 2	1	
4	93604-14012-00	. PIN, DOWEL	4	
5	(168-18561-00-00)	PLATE, SIDE 1	1	
6	93603-14026-00	. PIN, DOWEL	1	
7	92990-05300-00	. WASHER, INTERNAL TOOTH	1	
8	98501-05046-00	. SCREW, PAN HEAD	1	
9	93320-31501-00	BEARING, CYLINDER.# 0	1	
10	256-18511-00-00	FORK, SHIFT 1	1	
11	256-18512-00-00	FORK, SHIFT 2	1	
12	256-18513-00-00	FORK, SHIFT 3	1	
13	90249-08122-00	PIN, SPEC'L SHAPE	3	
14	91401-25030-00	PIN, COTTER	3	
15	256-18531-00-00	BAR, SHIF FRK GDE 1	1	
16	137-18547-00-00	STOPPER, CAM	1	
17	90501-10068-00	SPRING, COMPRESSION	1	
18	90430-16047-00	GASKET	1	
19	90109-16392-00	BOLT	1	
20	341-18140-00-00	STOPPER LEVER ASSEMBLY	1	
21	90109-06181-00	BOLT	1	
22	256-18562-00-00	PLATE, STOPPER 2	1	
23	256-18565-00-00	PLATE, LOCK SCREW	1	
24	90101-06091-00	BOLT	2	
25	90506-10022-00	SPRING, TENSION	1	

SHIFT SHAFT-PEDAL



Ref. No.	Part Number	Description	Qty	Remarks
1	256-18101-03-00	SHIFT SHAFT ASSEMBLY. 1	1	
2	90506-08007-00	. SPRING, TENSION	1	
3	90508-32559-00	SPRING, TORSION	1	
4	(90149-10018-00)	SCREW, SPEC'L SHAPE	1	
5	90215-10105-00	WASHER, LOCK	1	
6	90170-10038-00	NUT, HEXAGON	1	
7	93109-14010-00	OIL SEAL, SDO-TYPE	1	
8	90201-14220-00	WASHER, PLATE	1	
9	99001-12600-00	CIRCLIP	1	
10	447-17467-02-00	GUIDE, CHAIN 1	1	
11	2J2-18111-01-00	PEDAL, SHIFT	1	
12	132-18113-01-00	COVER, SHIFT PEDAL	1	
13	97011-06020-00	BOLT	1	

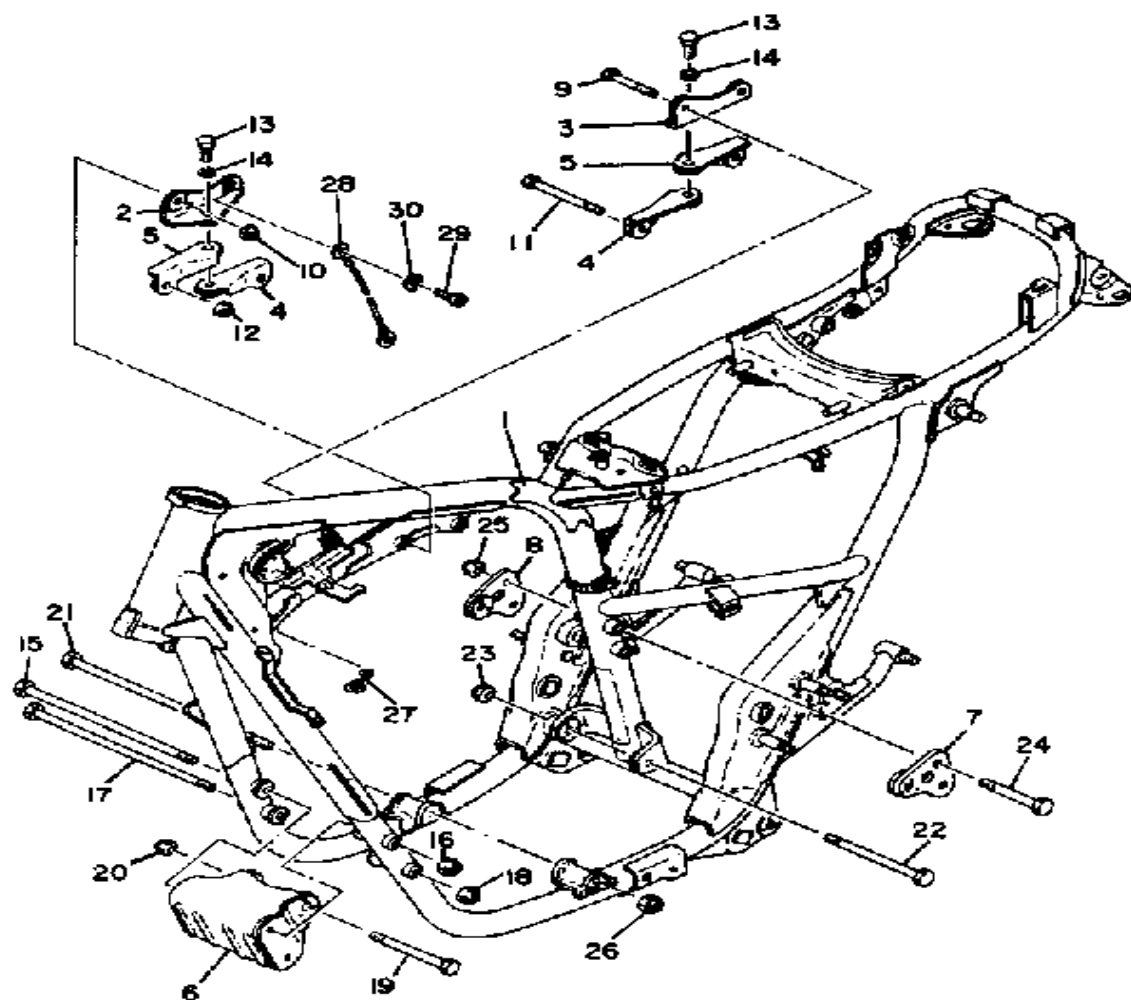
FRAME



Ref. No.	Part Number	Description	Qty	Remarks
1	(2M0-21110-00-33)	FRAME	1	YAMAHA BLK
2	447-21314-00-00	STAY, ENGINE 1	1	
3	447-21315-00-00	STAY, ENGINE 2	1	
4	256-21317-01-00	STAY, ENGINE 4	2	
5	256-21316-01-00	STAY, ENGINE 3	2	
6	95811-08055-00	BOLT, FLANGE	2	
7	90185-08089-00	NUT, SELF-LOCKING	4	
8	95811-10025-00	BOLT, FLANGE	2	
9	92990-10100-00	WASHER, SPRING	2	
10	95811-08090-00	BOLT, FLANGE (95822-08090)	2	
11	447-21318-00-98	STAY, ENGINE 5	1	
12	90105-10235-00	BOLT, WASHER BASED	1	
13	90105-10044-00	BOLT, WASHER BASED	1	
14	90105-10039-00	BOLT, WASHER BASED	1	
15	90185-10060-00	NUT, SELF-LOCKING	7	
16	447-21319-00-00	STAY, ENGINE 6	1	
17	447-21387-00-00	STAY, ENGINE 7	1	
18	95811-10070-00	BOLT, FLANGE	3	
19	90106-10029-00	BOLT, DOME HEAD	1	
20	90185-10060-00	NUT, SELF-LOCKING	1	
21	90105-10119-00	BOLT, WASHER BASED	1	
22	25G-83936-01-00	BAND, SWITCH CORD	2	L@105
23	437-83936-11-00	BAND, SWITCH CORD	2	
24	355-85111-01-00	REFLECTOR, FRONT 1	2	
25	92990-05100-00	WASHER, SPRING	2	
26	92990-05200-00	WASHER, PLAIN	2	

Engine Mounting Bolts:		
Front	10 x 1.25	4.6 m·kg
Engine, Lower	10 x 1.25	9.0 m·kg
Rear	10 x 1.25	4.0 m·kg
Rear, Lower	10 x 1.25	4.6 m·kg
Engine, Upper	8 x 1.25 / 10 x 1.25	1.8 m·kg / 3.0 m·kg

FRAME

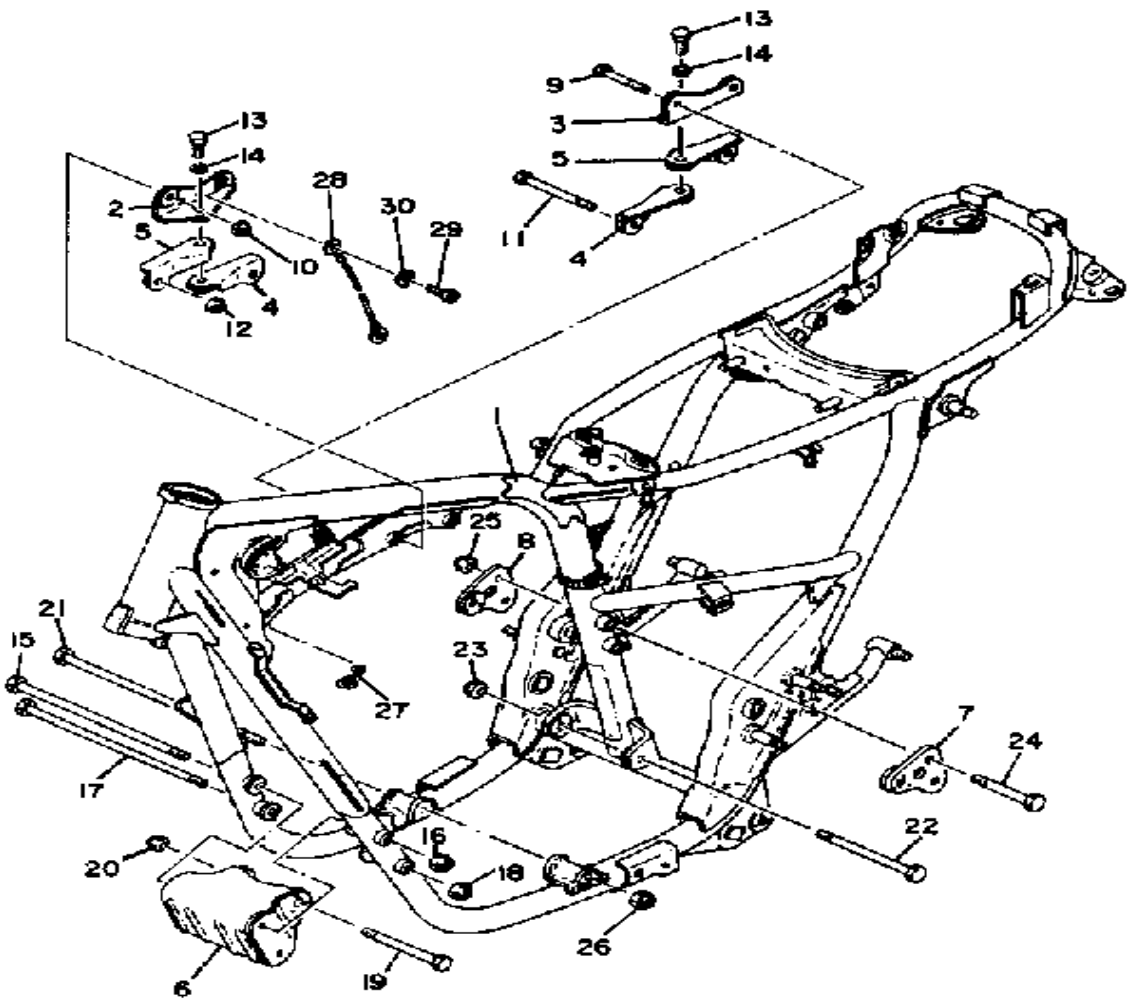


Engine Mounting Brackets		
Front	10 x 1.28	4.6 m·kg
Engine, Lower	10 x 1.25	9.0 m·kg
Rear	10 x 1.28	4.0 m·kg
Rear, Lower	10 x 1.25	4.6 m·kg
Engine, Upper	8 x 1.28 / 10 x 1.25	1.8 m·kg / 3.0 m·kg

Ref. No.	Part Number	Description	Qty	Remarks
1	(3G1-21110-01-33)	FRAME	1	YAMAHA BLK
2	447-21314-00-00	STAY, ENGINE 1	1	
3	447-21315-00-00	STAY, ENGINE 2	1	
4	256-21316-01-00	STAY, ENGINE 3	2	
5	256-21317-01-00	STAY, ENGINE 4	2	
6	447-21318-00-98	STAY, ENGINE 5	1	CHROME PLATED
7	447-21319-00-00	STAY, ENGINE 6	1	
8	447-21387-00-00	STAY, ENGINE 7	1	
9	95811-08055-00	BOLT, FLANGE	2	
10	90185-08089-00	NUT, SELF-LOCKING	2	
11	95816-08090-00	BOLT, FLANGE	2	
12	90185-08090-00	NUT, SELF-LOCKING	2	
13	95811-10025-00	BOLT, FLANGE	2	
14	92990-10100-00	WASHER, SPRING	2	
15	90105-10235-00	BOLT, WASHER BASED	1	
16	90185-10060-00	NUT, SELF-LOCKING	1	
17	90105-10044-00	BOLT, WASHER BASED	1	
18	90185-10060-00	NUT, SELF-LOCKING	1	
19	90105-10039-00	BOLT, WASHER BASED	1	
20	90185-10060-00	NUT, SELF-LOCKING	1	
21	90106-10029-00	BOLT, DOME HEAD	1	
22	90105-10119-00	BOLT, WASHER BASED	1	
23	90185-10060-00	NUT, SELF-LOCKING	1	
24	(95826-10070-00)	BOLT, FLANGE	3	
25	90185-10091-00	NUT, SELF-LOCKING	3	
26	90185-10060-00	NUT, SELF-LOCKING	1	
27	(90465-20138-00)	CLAMP	1	
28	256-81615-00-00	WIRE, LEAD	1	
29	98580-06008-00	SCREW, PAN HEAD	1	

CONTINUED ON NEXT FRAME ►

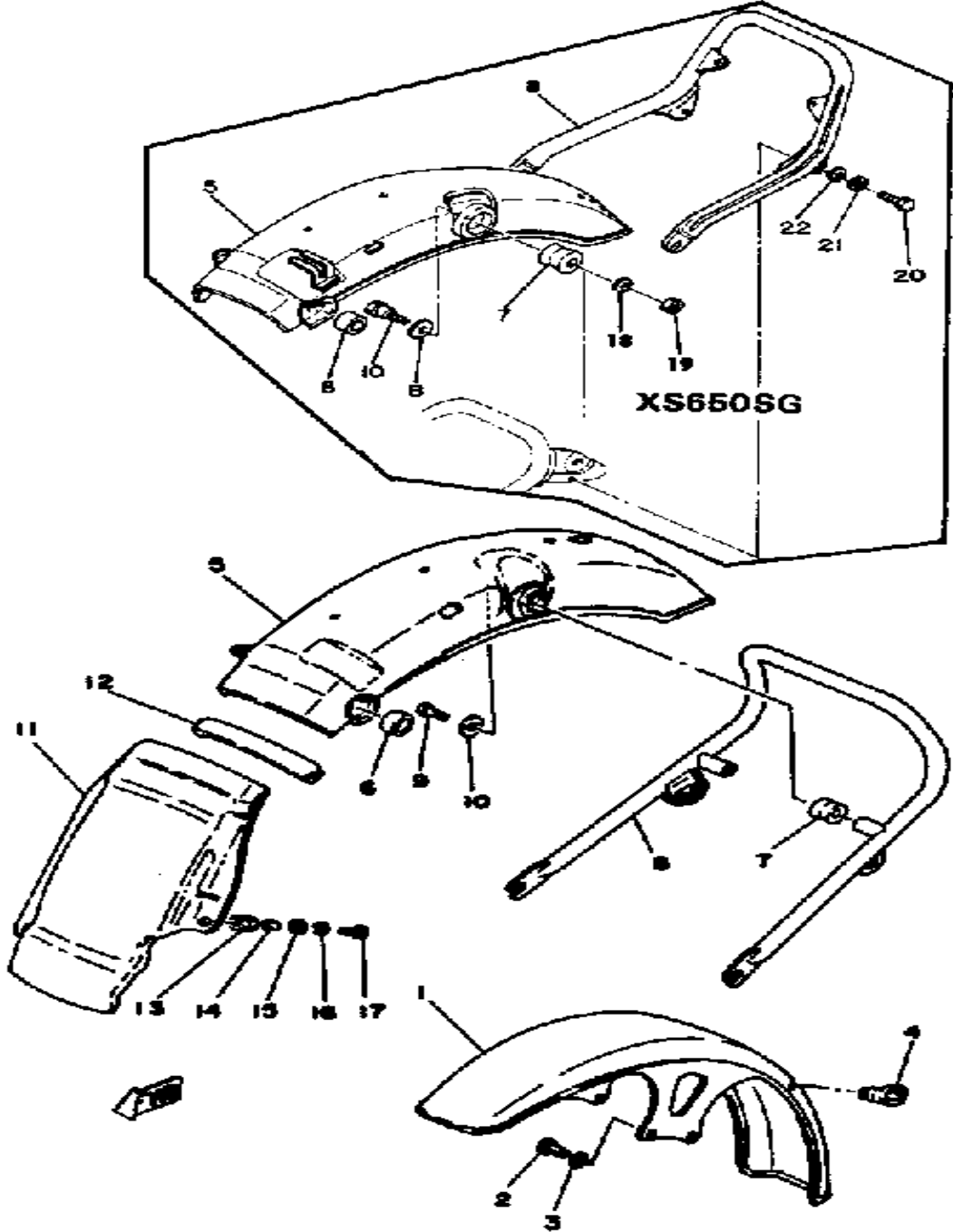
FRAME



Ref. No.	Part Number	Description	Qty	Remarks
30	92995-06100-00	WASHER, SPRING	1	

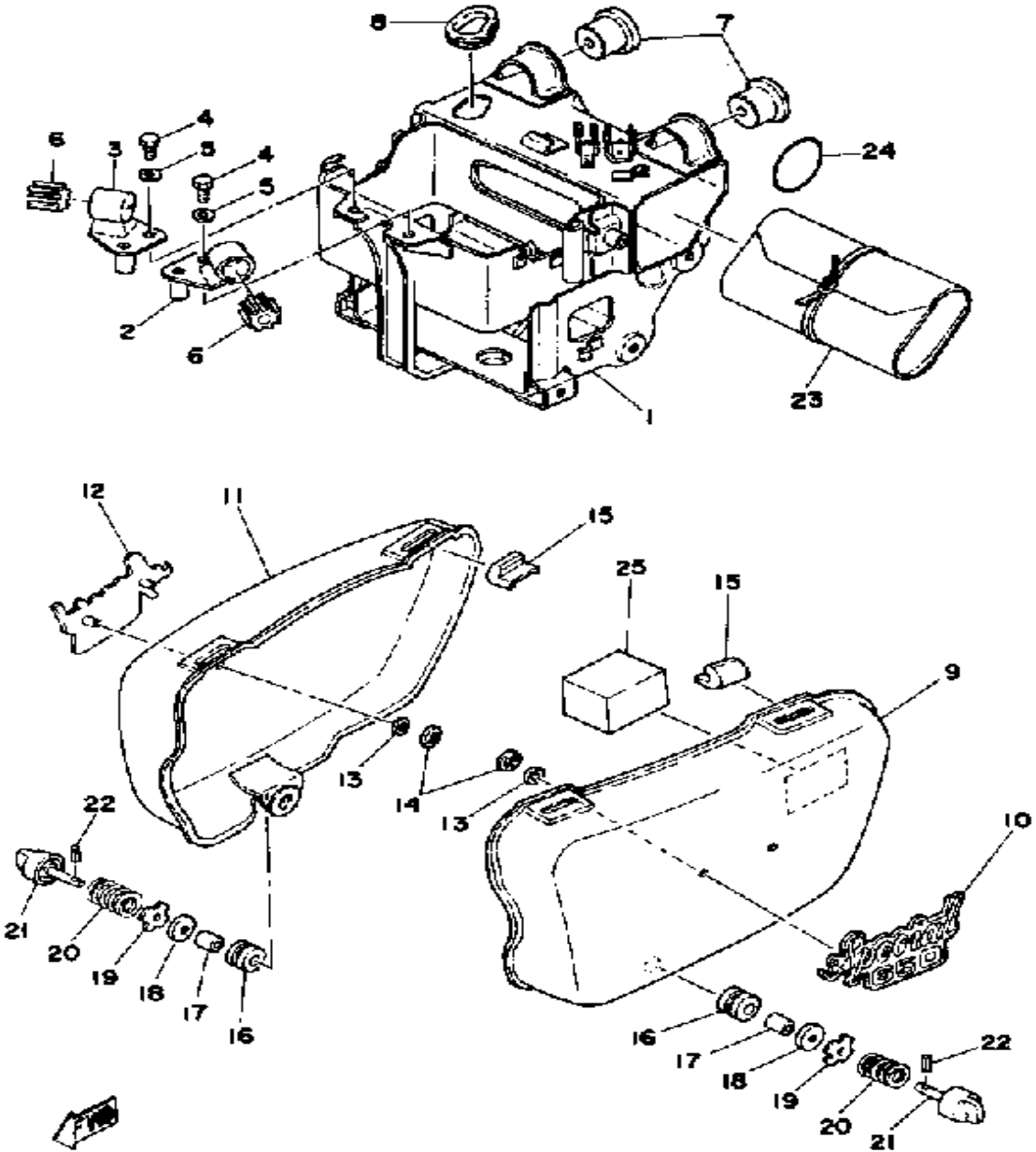
Engine Mounting Bolts:		
Front	10 x 1.28	4.6 m·kg
Engine, Lower	10 x 1.25	9.0 m·kg
Rear	10 x 1.28	4.0 m·kg
Rear, Lower	10 x 1.25	4.6 m·kg
Engine, Upper	8 x 1.28: 1.8 m·kg / 10 x 1.25: 3.0 m·kg	

FRONT FENDER-REAR FENDER



Ref. No.	Part Number	Description	Qty	Remarks
1	2J2-21510-00-93	FENDER, FRONT	1	
2	97313-08020-00	BOLT, HEXAGON	4	
3	92990-08100-00	WASHER, SPRING	4	
4	1A0-21518-00-00	HOLDER, CABLE	1	
5	2M0-21610-00-93	FENDER, REAR	1	
	3G1-21610-00-93	FENDER, REAR	1	
6	447-21638-00-00	DAMPER 1	2	
7	168-21639-00-00	DAMPER 2	2	
8	2M0-21645-00-00	STAY, REAR	1	
	3G1-21645-00-00	STAY, REAR	1	
9	90109-10349-00	BOLT	2	
	90109-10547-00	BOLT	2	
10	90201-15239-00	WASHER, PLATE	2	
11	(2M0-21629-00-00)	GUARD, MUD	1	
12	447-21268-01-00	SEAL	1	
13	90480-14023-00	GROMMET	3	
14	90387-07390-00	COLLAR	3	
15	90201-06067-00	WASHER, PLATE	3	
16	92995-06100-00	WASHER, SPRING	3	
17	97011-06025-00	BOLT (97001-06025)	3	
	98511-06025-00	SCREW PAN HEAD	3	
18	92990-10200-00	WASHER	2	
19	95303-10600-00	NUT	2	
20	97013-10030-00	BOLT (8J7) (97303-10030)	2	
21	92990-10100-00	WASHER, SPRING	2	
22	92990-10600-00	WASHER, PLATE	2	

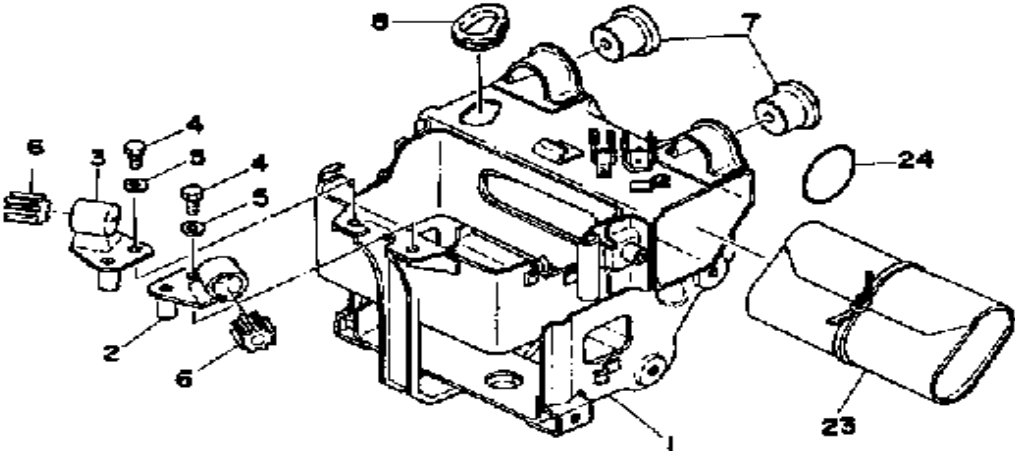
SIDE COVER-BATTERY BOX



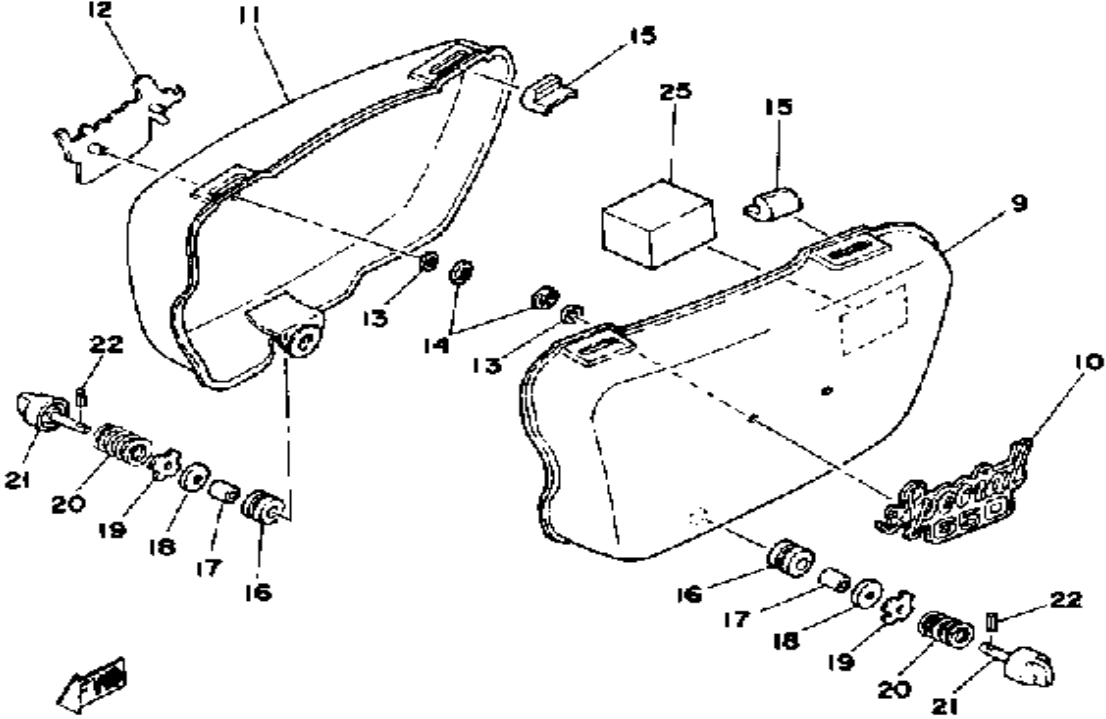
Ref. No.	Part Number	Description	Qty	Remarks
1	(447-21170-04-33)	BOX, BATT.	1	YAMAHA BLK
2	447-21149-00-00	BRACKET, BATT BOX	1	
3	447-21344-00-00	BRACKET, BATT BOX	1	
4	97313-06016-00	BOLT, HEXAGON	2	
5	92995-06100-00	WASHER, SPRING	2	
6	2J2-21729-00-00	CLAMP, DAMPER	2	
7	256-21747-00-00	DAMPER	2	
8	(447-82128-00-00)	BRACKET, BATTERY	1	
9	(2M0-21711-00-J9)	COVER, SIDE 1	1	
	2M0-21711-00-E9	COVER, SIDE 1	1	
	2M0-21711-00-H7	COVER, SIDE 1	1	
	2M0-21711-00-H9	COVER, SIDE 1	1	
10	2M0-21781-00-00	EMBLEM 1	1	
11	2M0-21721-00-E9	COVER, SIDE 2	1	
	2M0-21721-00-H7	COVER, SIDE 2	1	
	2M0-21721-00-H9	COVER, SIDE 2	1	
	2M0-21721-00-J9	COVER, SIDE 2	1	
12	2M0-21782-00-00	EMBLEM 2	1	
13	90202-04003-00	WASHER, PLATE	4	
14	90183-04005-00	NUT, SPRING	4	
15	466-21717-00-00	DAMPER, SIDE COVER	4	
16	90480-14102-00	GROMMET	2	
17	90387-07390-00	COLLAR	2	
18	90201-06063-00	WASHER, PLATE	2	
19	90209-06044-00	WASHER, SPEC'L SHAP	2	
20	90501-18205-00	SPRING, COMPRESSION	2	
21	447-21714-01-00	KNOB, SIDE COVER 1	2	
22	91609-25015-00	PIN, SPRING	2	
23	3J3-W2810-00-00	TOOL KIT	1	

CONTINUED ON NEXT FRAME ►

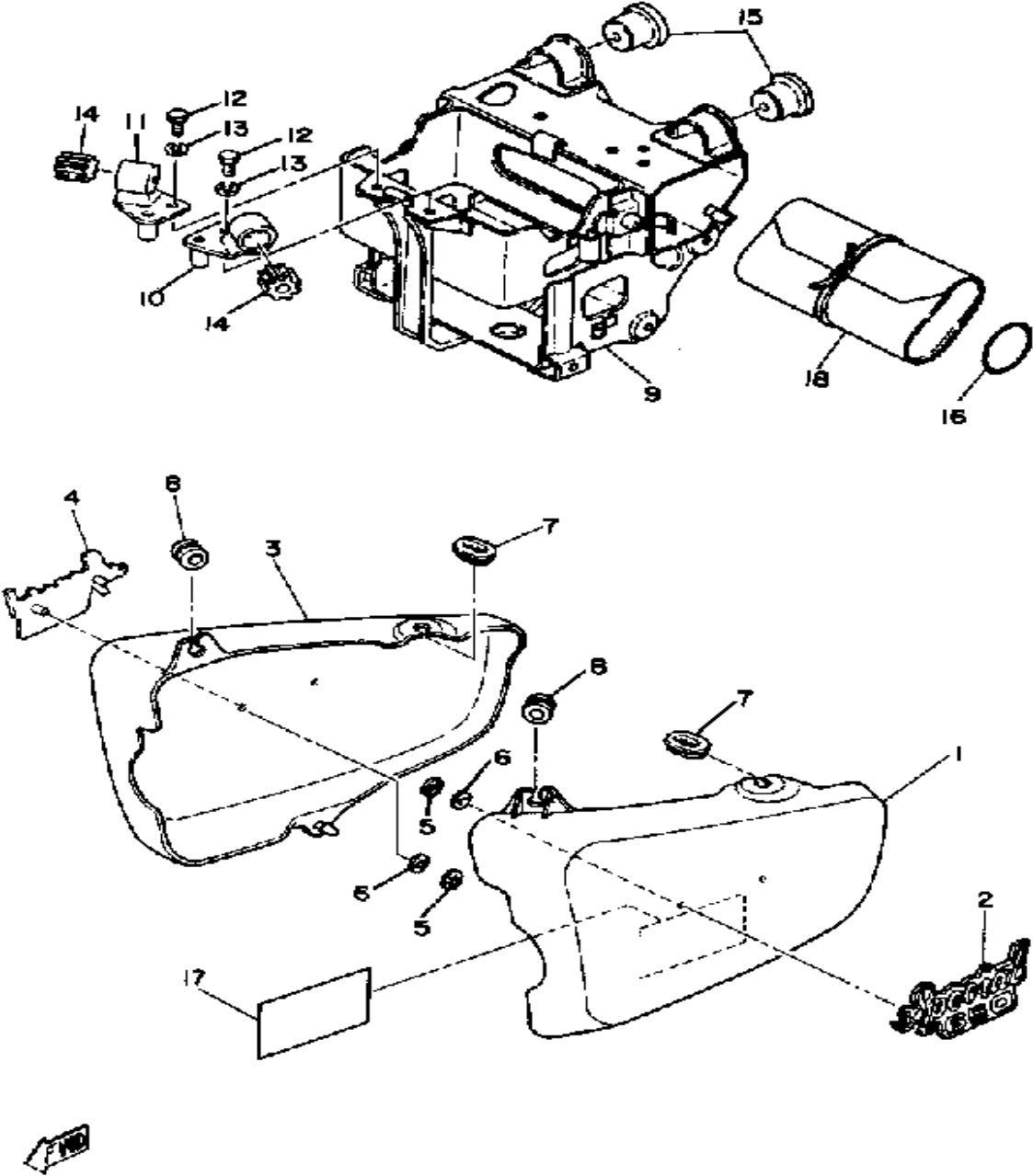
SIDE COVER-BATTERY BOX



Ref. No.	Part Number	Description	Qty	Remarks
24	93210-40040-00	O-RING	1	
25	447-21746-00-00	DAMPER	1	

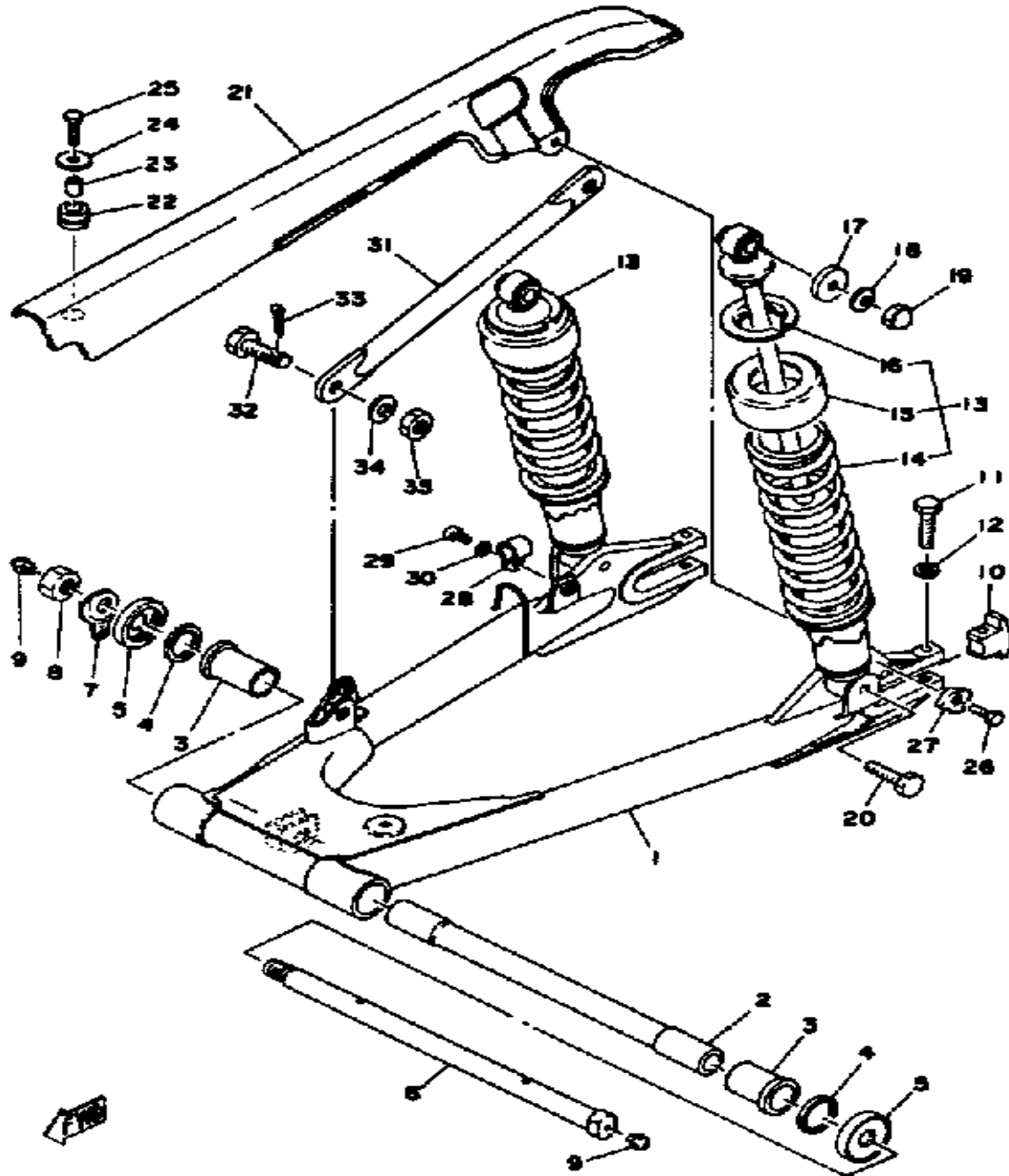


SIDE COVER-TOOL



Ref. No.	Part Number	Description	Qty	Remarks
1	3G1-21711-00-4H	COVER, SIDE 1	1	U.R. CARDINAL RD
	4N9-21711-00-6G	COVER, SIDE 1	1	U.R. NEW YAMAHA BLK
2	3G1-21781-00-00	EMBLEM 1	1	U.R.
3	3G1-21721-00-4H	COVER, SIDE 2	1	U.R. CARDINAL RD
	4N9-21721-00-6G	COVER, SIDE 2	1	U.R. NEW YAMAHA BLK
4	3G1-21782-00-00	EMBLEM 2	1	
5	90183-04005-00	NUT, SPRING	4	
6	90202-04003-00	WASHER, PLATE	4	
7	90480-01401-00	GROMMET	2	
8	90480-12053-00	GROMMET	4	
9	(3G1-21170-01-33)	BOX, BATT.	1	
10	447-21149-00-00	BRACKET, BATT BOX	1	
11	447-21344-00-00	BRACKET, BATT BOX	1	
12	97313-06016-00	BOLT, HEXAGON	2	
13	92995-06100-00	WASHER, SPRING	2	
14	2J2-21729-00-00	CLAMP, DAMPER	2	
15	256-21747-00-00	DAMPER	2	
16	93210-40040-00	O-RING	1	
17	(3G1-21683-00-00)	PLATE, SPEC	1	
18	3J3-W2810-00-00	TOOL KIT	1	

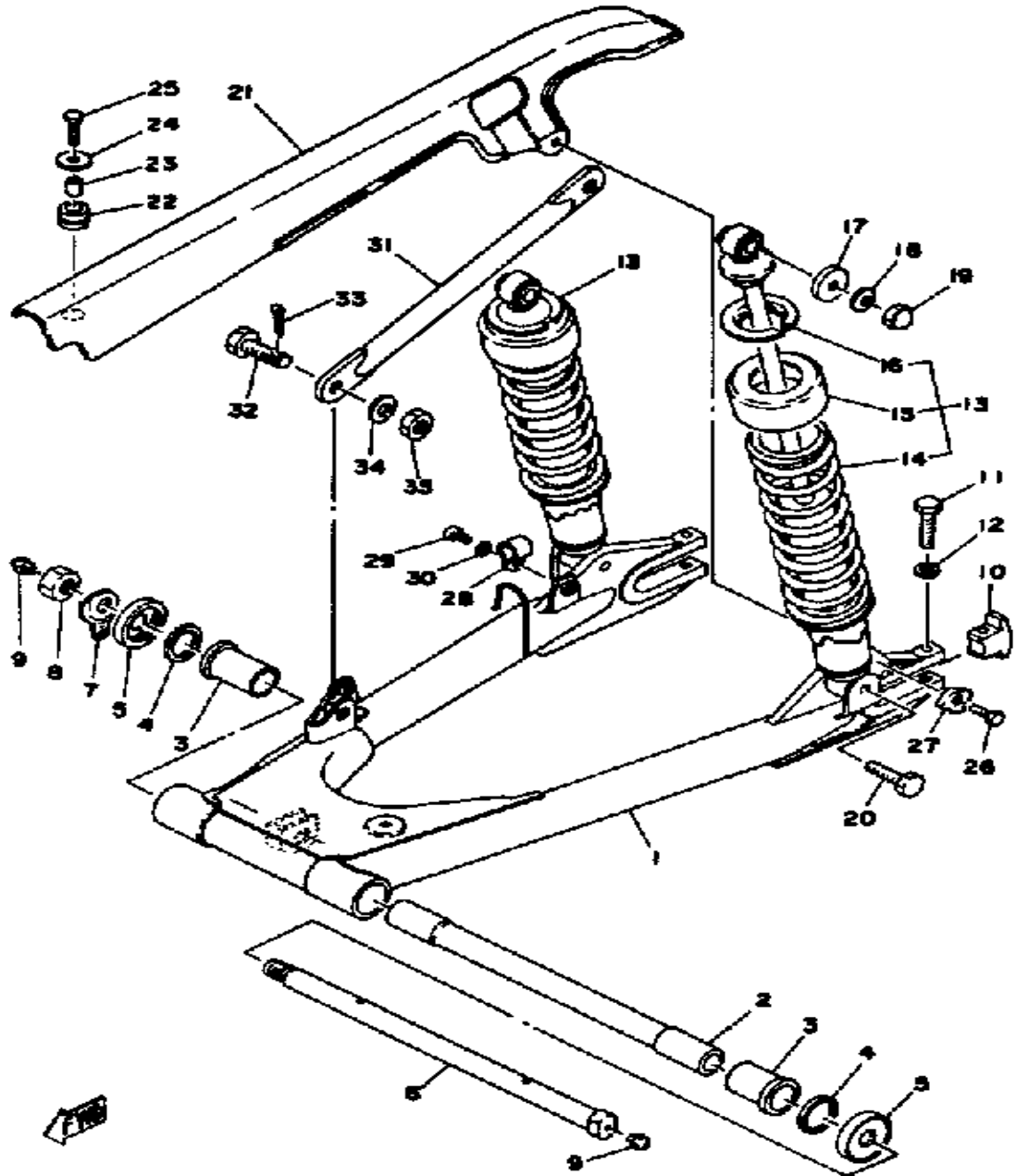
REAR ARM-REAR CUSHION



Ref. No.	Part Number	Description	Qty	Remarks
1	(2M0-22110-01-33)	REAR ARM	1	YAMAHA BLK
2	341-22184-00-00	BUSH	1	
4	240-22127-00-00	SHIM (0.3T)	1	
5	447-22128-00-00	COVER, THRUST 1	2	
6	447-22141-00-00	SHAFT, PIVOT	1	
7	90215-14055-00	WASHER, LOCK	1	
8	90170-14403-00	NUT	1	
9	93700-06M03-00	NIPPLE, GREASE	2	
10	341-22177-00-00	BAR, COMPRESSION	2	
11	97313-08040-00	BOLT, HEXAGON (97322-08040)	2	
12	92990-08100-00	WASHER, SPRING	2	
13	(2M0-22210-10-00)	SHK/ABS ASSEMBLY, REAR ..	1	HEAVY DUTY
	2M0-22210-00-00	SHK/ABS ASSEMBLY, REAR ..	2	
14	(2M0-22212-10-00)	SPRING	1	HEAVY DUTY
	2M0-22212-00-00	. SPRING	2	
15	(447-22211-21-00)	COVER	2	
16	341-22213-20-00	. SEAT, SPRING UPPER	2	
17	90201-10142-00	WASHER, PLATE (341-22243-00)	2	
18	92990-10100-00	WASHER, SPRING	2	
19	90176-10009-00	NUT, CROWN	2	
20	90106-10025-00	BOLT, DOME HEAD	2	
21	2M0-22311-00-93	CASE, CHAIN	1	
22	90480-14023-00	GROMMET	1	
23	90387-07390-00	COLLAR	1	
24	90201-06066-00	WASHER, PLATE	1	
25	97011-06025-00	BOLT (97001-06025)	1	
26	97023-06020-00	BOLT (3XF)	1	
27	90215-07164-00	WASHER, LOCK	1	

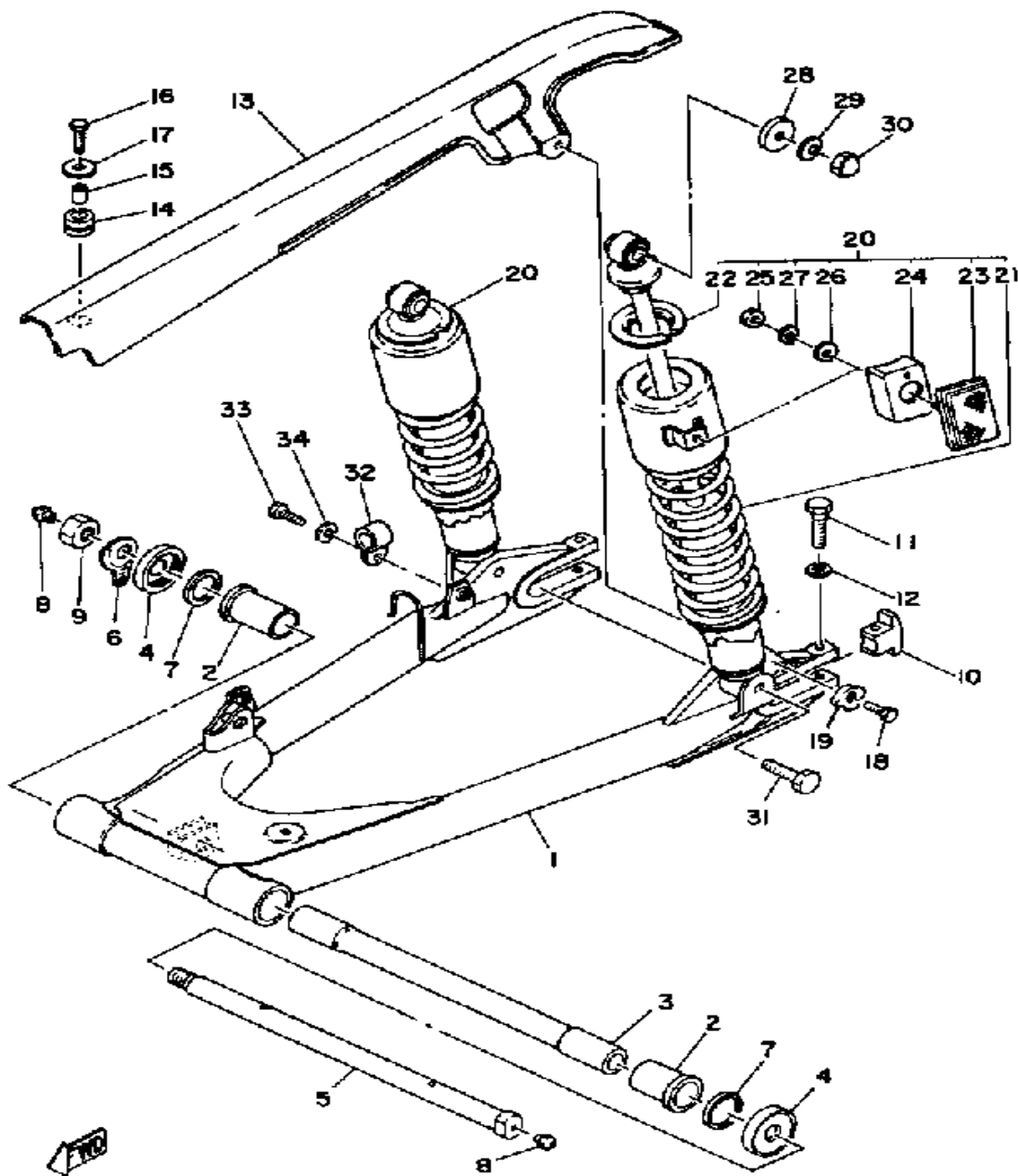
CONTINUED ON NEXT FRAME ►

REAR ARM-REAR CUSHION



Ref. No.	Part Number	Description	Qty	Remarks
28	90461-08031-00	CLAMP	2	
29	98580-06012-00	SCREW, PAN HEAD	2	
30	92995-06100-00	WASHER, SPRING	2	
31	2M0-25371-00-00	BAR, TENSION	1	
32	(90109-08499-00)	BOLT	1	
33	90386-22102-00	BUSH, SPEC'L NYLON	2	
	91490-20020-00	PIN, COTTER	1	
34	92990-12600-00	WASHER, PLATE	1	
35	95301-12700-00	NUT (95302-12700)	1	SE 114241-
	95311-12700-00	NUT	1	SE -114240

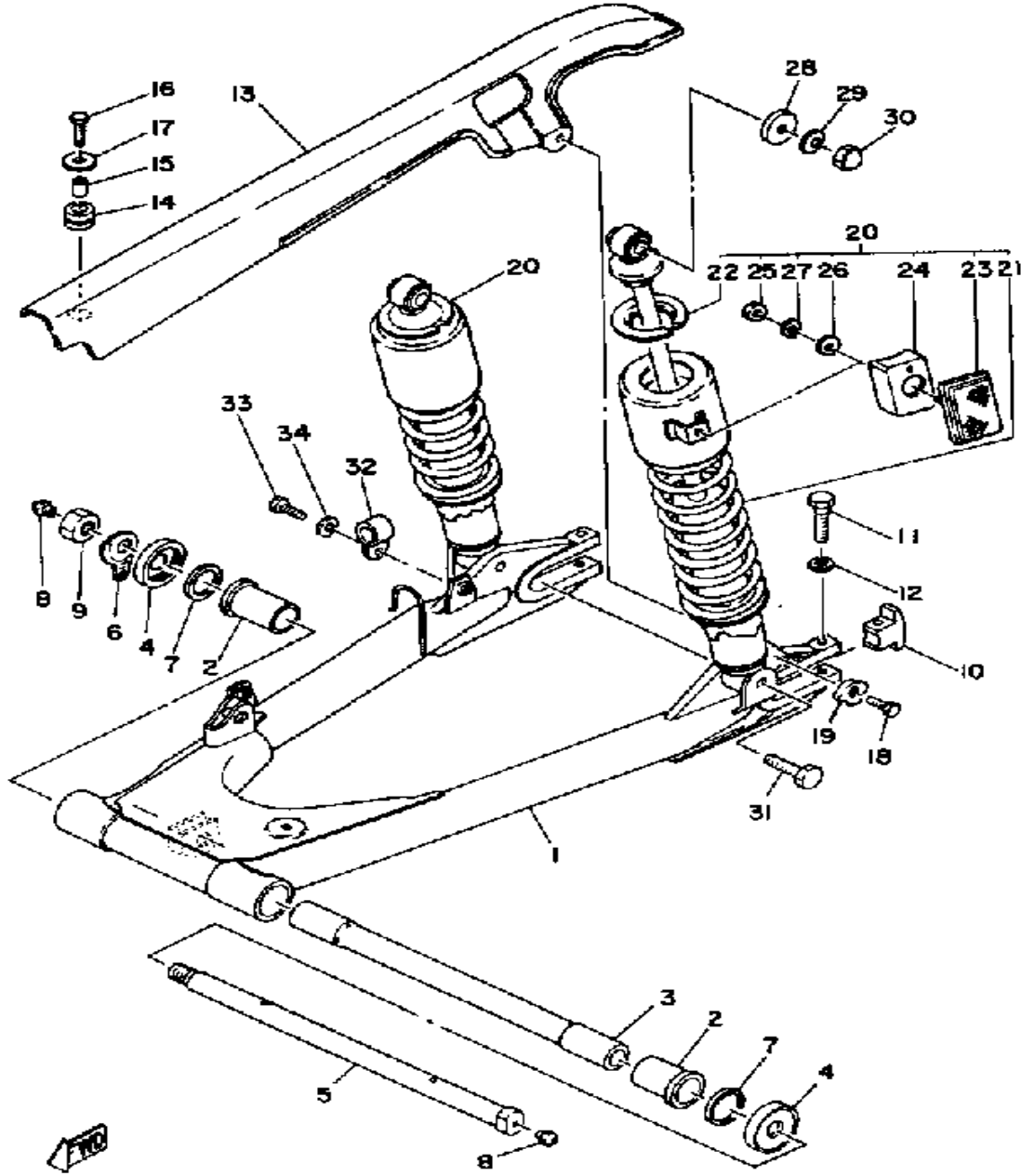
REAR ARM-SUSPENSION



Ref. No.	Part Number	Description	Qty	Remarks
1	(2M0-22110-01-33)	REAR ARM	1	YAMAHA BLK
2	90386-22102-00	BUSH, SPEC'L NYLON	2	
3	341-22184-00-00	BUSH	1	
4	447-22128-00-00	COVER, THRUST 1	2	
5	447-22141-00-00	SHAFT, PIVOT	1	
6	90215-14055-00	WASHER, LOCK	1	
7	240-22127-00-00	SHIM (0.3T)	1	
8	93700-06M03-00	NIPPLE, GREASE	2	
9	90170-14403-00	NUT	1	
10	341-22177-00-00	BAR, COMPRESSION	2	
11	97306-08040-00	BOLT, HEXAGON	2	
12	92906-08100-00	WASHER, SPRING	2	
13	2M0-22311-00-93	CASE, CHAIN	1	CHROME PLATED
14	90480-14023-00	GROMMET	1	
15	90387-07390-00	COLLAR	1	
16	97011-06025-00	BOLT (97001-06025)	1	
17	90201-06066-00	WASHER, PLATE	1	
18	97016-06020-00	BOLT	1	
19	90215-07164-00	WASHER, LOCK	1	
20	(3G1-22210-10-00)	SHK/ABS ASSEMBLY, REAR	2	ALT. PART
	4M4-22210-00-00	SHK/ABS ASSEMBLY, REAR	2	
21	2M0-22212-00-00	. SPRING	1	
22	341-22213-20-00	. SEAT, SPRING UPPER	1	
23	3G1-85130-01-00	. REAR REFLECTOR ASSEMBLY	1	
24	3G1-85137-00-00	. BASE, RFLCTR REAR	1	
25	95380-05600-00	. NUT	1	
26	92990-05200-00	. WASHER, PLAIN	1	
27	92990-05100-00	. WASHER, SPRING	1	

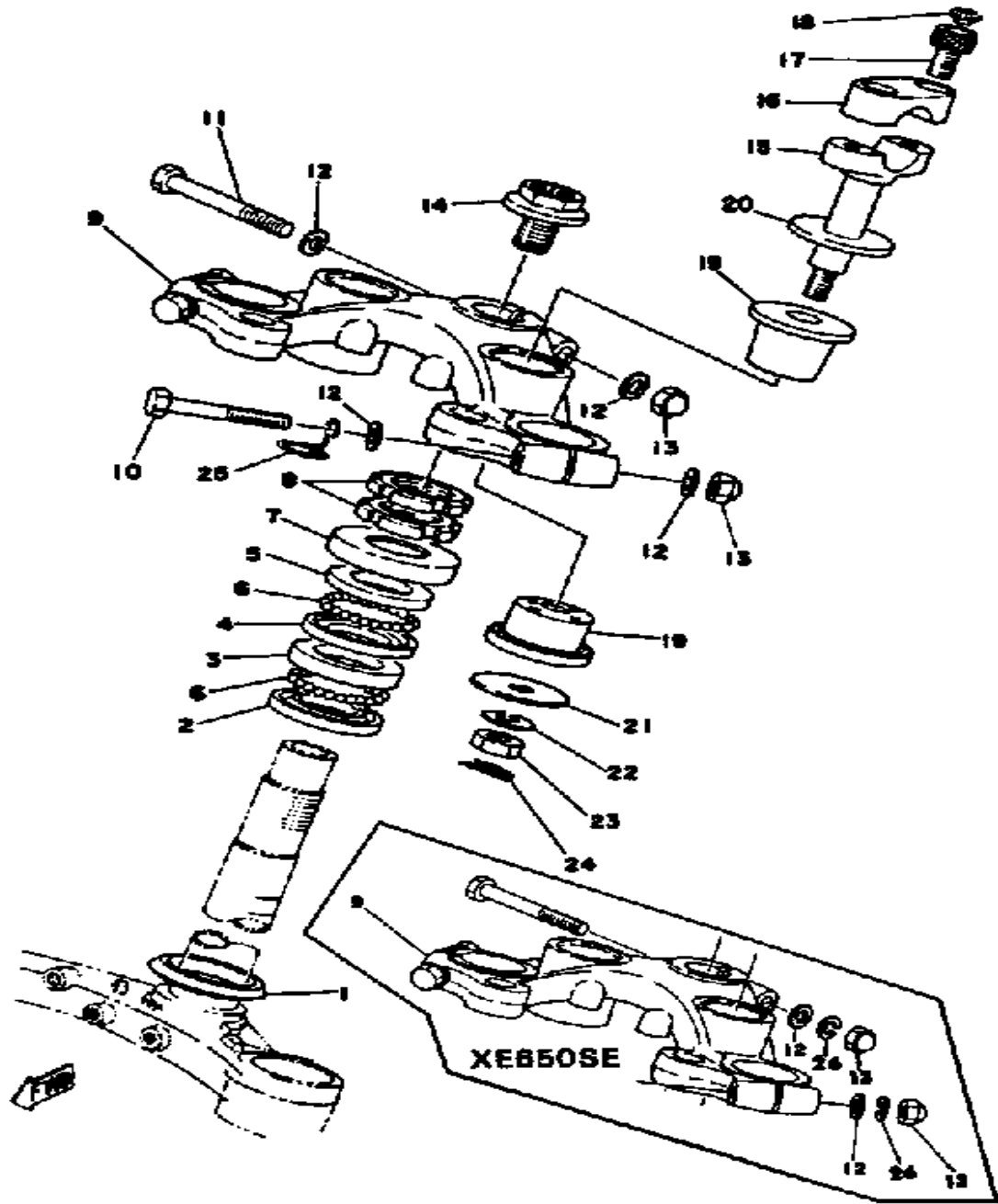
CONTINUED ON NEXT FRAME ►

REAR ARM-SUSPENSION



Ref. No.	Part Number	Description	Qty	Remarks
28	90201-100A1-00	WASHER, PLATE	4	
29	92990-10100-00	WASHER, SPRING	2	
30	90176-10009-00	NUT, CROWN	2	
31	90106-10025-00	BOLT, DOME HEAD	2	
32	90461-08031-00	CLAMP	2	
33	97026-06012-00	BOLT	2	
34	92906-06100-00	WASHER, SPRING	2	

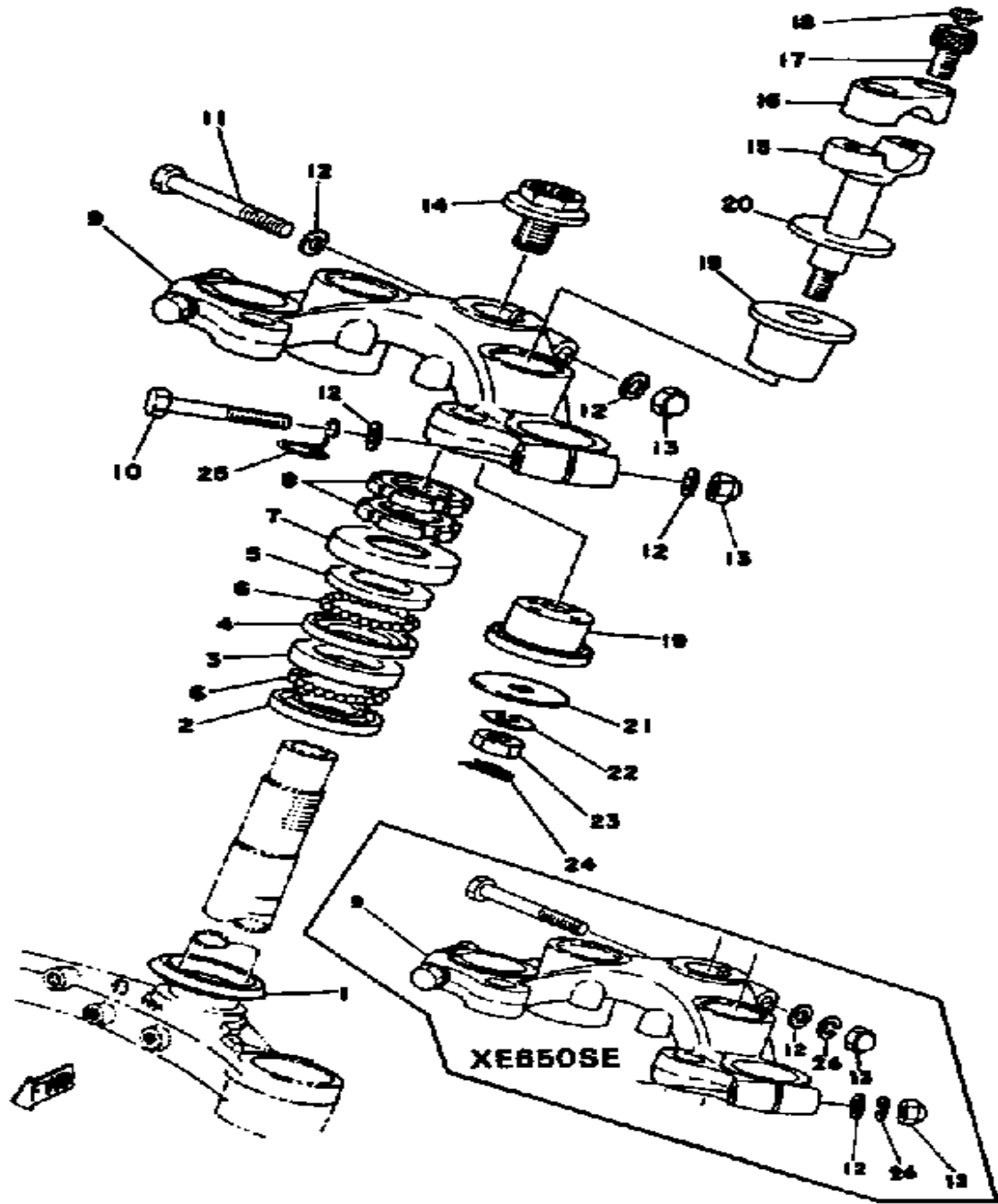
STEERING



Ref. No.	Part Number	Description	Qty	Remarks
1	164-23462-00-00	SEAL, STEERING	1	
2	256-23411-00-00	RACE, BALL 1	1	
3	256-23412-00-00	RACE, BALL 2	1	
4	256-23413-00-00	RACE, BALL 3	1	
5	256-23414-00-00	RACE, BALL 4	1	
6	93501-04011-00	BALL	38	
7	136-23415-00-00	COVER, BALL RACE 1	1	
8	90179-25033-00	NUT	2	
9	2M0-23435-00-98	CROWN, HANDLE	1	LOW GLOSS BLK
10	97026-08055-00	BOLT	2	
	97313-08055-00	BOLT, HEXAGON	2	
11	97021-08065-00	BOLT	1	
	97026-08065-00	BOLT	1	
12	90201-08083-00	WASHER, PLATE	3	SE -114240
	92901-08600-00	WASHER, PLATE	3	SE 114241-
	92906-08600-00	WASHER	6	
13	95303-08800-00	NUT (CROWN) (95301-08800)	3	
	95306-08800-00	NUT (CROWN)	3	
14	90105-14102-00	BOLT, WASHER BASED	1	
15	1E6-23442-00-00	HOLDER, HANDLE LWR	2	
	256-23442-00-98	HOLDER, HANDLE LWR	2	LOW GLOSS BLK
16	360-23441-01-98	HOLDER, HANDLE UPR	2	LOW GLOSS BLK
17	91316-08020-00	BOLT	4	
	91316-08025-00	BOLT, SOCKET HEAD	4	
18	341-23469-00-00	CAP, BOLT	4	
19	1T4-23434-00-00	HOLDER, DAMPER	4	
20	90209-12151-00	WASHER, SPEC'L SHAP	2	
21	90201-10149-00	WASHER, PLATE	2	
22	92990-10100-00	WASHER, SPRING	2	

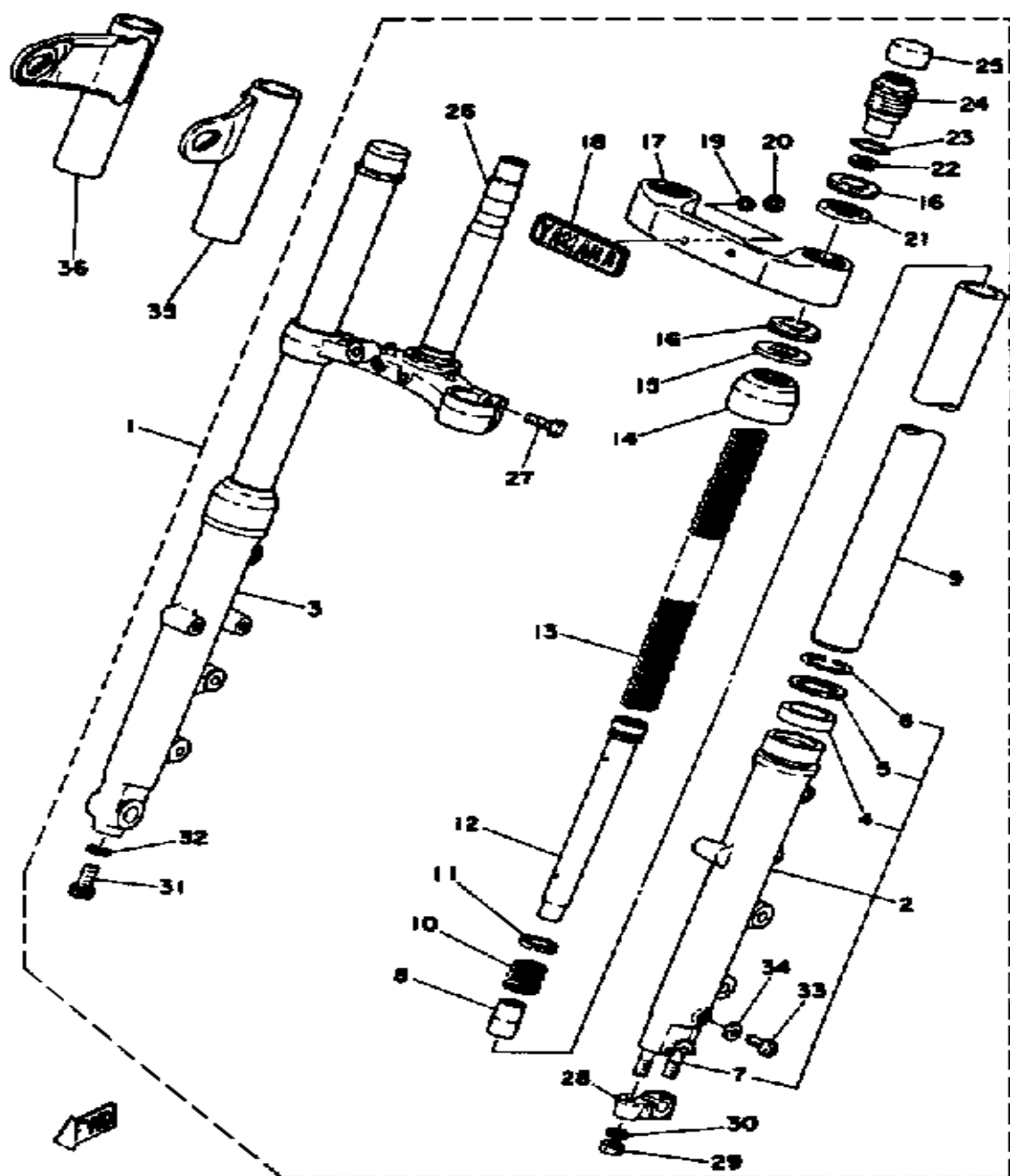
CONTINUED ON NEXT FRAME ➤

STEERING



Ref. No.	Part Number	Description	Qty	Remarks
23	95303-10700-00	NUT	2	
24	90468-12006-00	CLIP	2	
25	4H7-23317-00-00	HOLDER, CABLE	1	SE 114241-
26	92990-08100-00	WASHER, SPRING	3	SE -114240

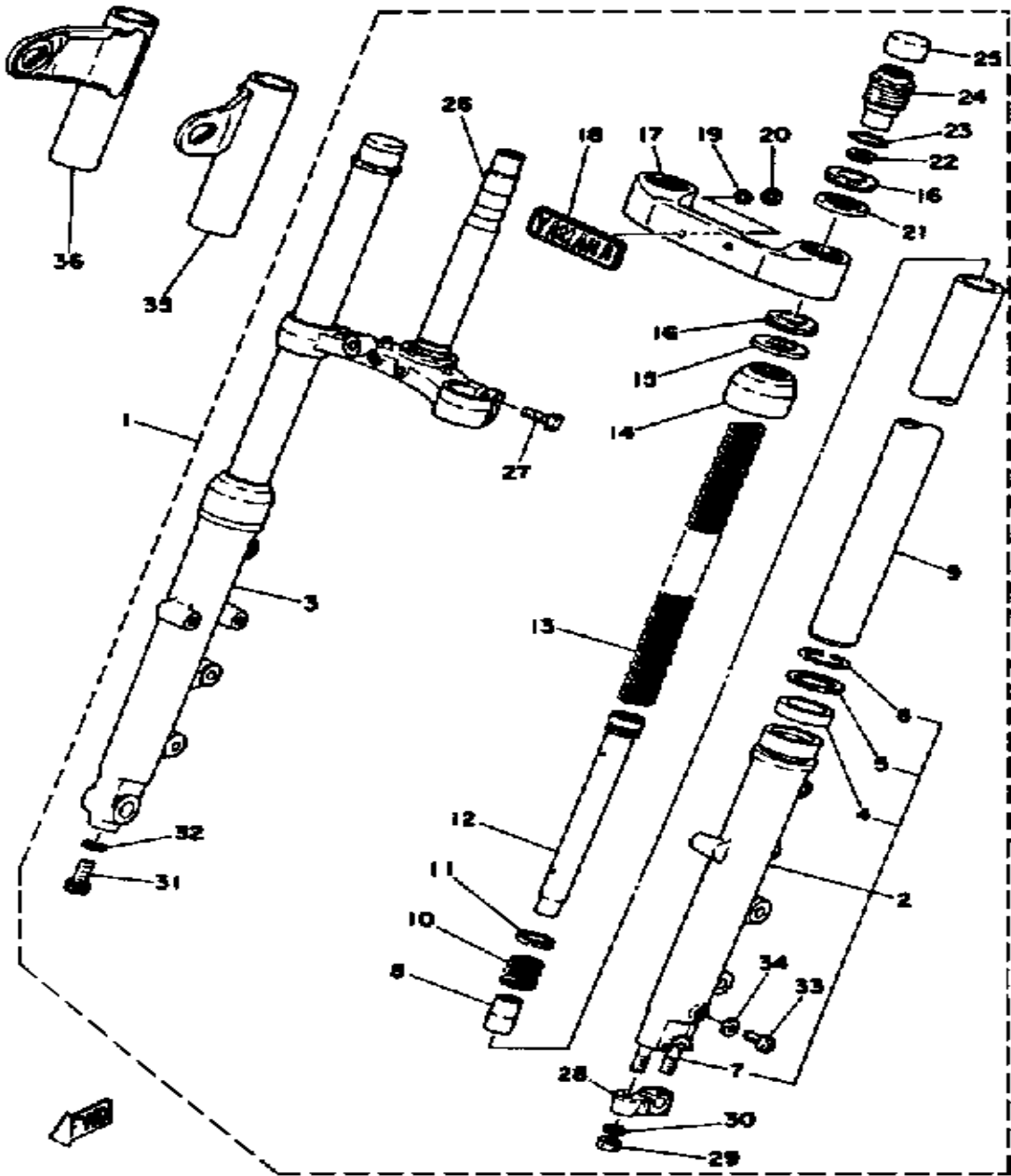
FRONT FORK



Ref. No.	Part Number	Description	Qty	Remarks
1	(3L1-23101-00-00)	FRONT FORK ASSEMBLY	1	
2	2F0-23126-00-00	. TUBE, OUTER 1	1	
3	2F0-23136-00-00	. TUBE, OUTER 2	1	
4	1T3-23145-00-00	.. OIL SEAL	2	
5	341-23146-50-00	.. WASHER, OIL SEAL	2	
6	341-23156-50-00	.. CLIP, OIL SEAL	2	
7	90116-08261-00	.. BOLT, STUD	2	
8	1W1-23173-L0-00	. SPINDLE, TAPER	2	
9	2F0-23110-00-00	. INNER TUBE 1	2	
10	(2F0-23151-00-00)	SPRING, REBOUND	2	
11	2F0-23157-00-00	. RING, PISTON FRTRFRK	2	
12	2F0-23170-00-00	. CYLINDER, FRTRFRK	2	
13	(2F0-23141-10-00)	SPRING, FRONT FORK	2	HEAVY DUTY ALT. PART
	2F0-23141-00-00	. SPRING, FRONT FORK	2	
14	1T3-23144-50-00	. SEAL, DUST	2	
15	(1T3-23146-50-00)	WASHER, OIL SEAL	2	
16	1T3-23163-51-00	. GASKET	4	
17	4E4-23122-00-00	. COVER, OUTER 1	1	
18	2M0-23395-00-00	. EMBLEM	1	
19	90202-04003-00	. WASHER, PLATE	2	
20	90183-04005-00	. NUT, SPRING	2	
21	1T3-23116-51-00	. GUIDE, COVER LOWER	2	
22	2F0-23149-00-00	. WASHER, SPRING UPR	2	
23	2F0-23114-00-00	. GASKET	2	
24	2F0-23111-00-00	. BOLT, CAP	2	
25	2F0-23168-00-00	. CAP, FRONT FORK	2	
26	1U3-23340-30-33	. UNDER BRACKET	1	YAMAHA BLK
27	18G-23128-00-00	. BOLT, WWASHER	4	

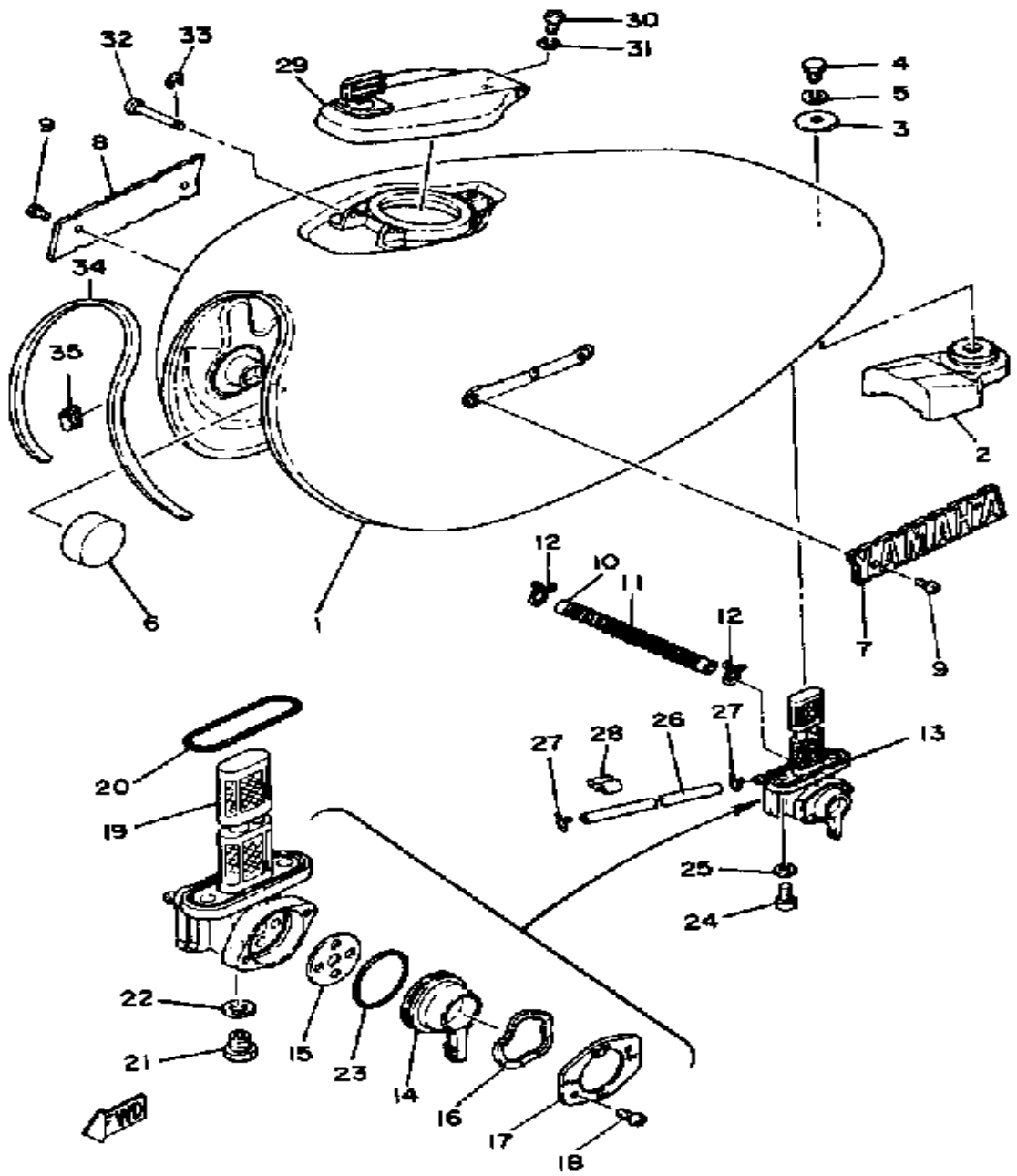
CONTINUED ON NEXT FRAME ►

FRONT FORK



Ref. No.	Part Number	Description	Qty	Remarks
28	341-23167-50-00	. HOLDER, AXLE	1	
29	90185-08089-00	. NUT, SELF-LOCKING	2	
30	92901-08600-00	. WASHER, PLATE	2	
31	278-23181-50-00	. BOLT, HEXAGON SOCKET HEAD	2	
32	509-23158-L0-00	. GASKET	2	
33	98580-04008-00	. SCREW, PAN HEAD	2	
34	122-23129-00-00	. GASKET, DRAIN PLUG	2	
35	2M0-23121-00-93	COVER, UPPER 1	1	
36	2M0-23131-00-93	COVER, UPPER 2	1	

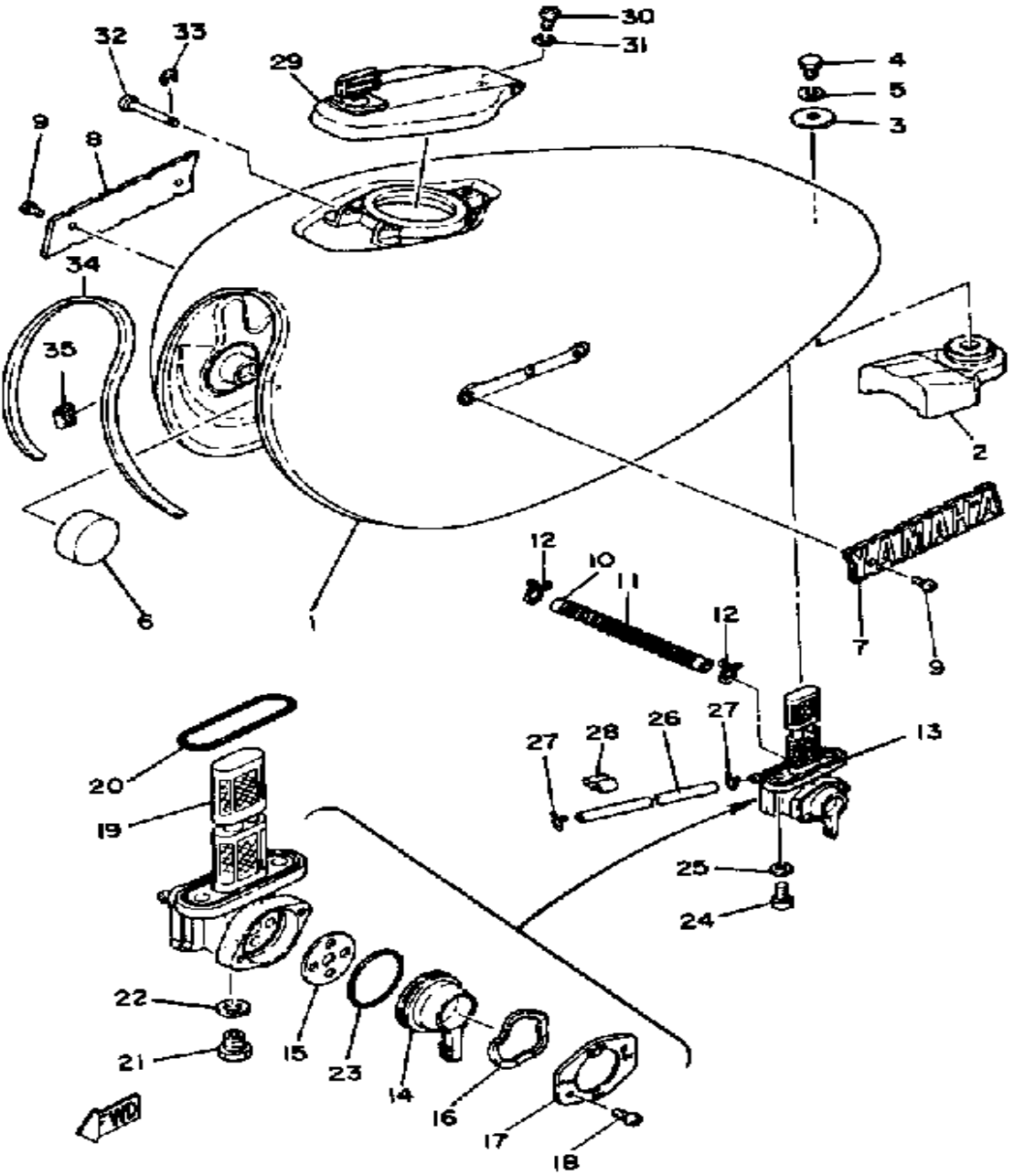
FUEL TANK



Ref. No.	Part Number	Description	Qty	Remarks
1	2M0-24110-00-H7	FUEL TANK	1	VINTAGE BURGUNDY
	2M0-24110-00-J9	FUEL TANK	1	NW MIDNIGHT BLUE
2	2M0-24161-00-00	EMBLEM 1	1	
3	2M0-24162-00-00	EMBLEM 2	1	
4	90152-04006-00	SCREW, COUNTERSUNK	4	
5	4R0-24602-01-00	CAP ASSEMBLY	1	
6	98580-05010-00	SCREW, PAN HEAD	1	
7	92990-05100-00	WASHER, SPRING	1	
8	90249-03123-00	PIN, SPEC'L SHAPE	1	
9	93430-02001-00	CIRCLIP	1	
10	278-24181-00-00	DAMPER, LOCATING 1	2	
11	256-24181-01-00	DAMPER, LOCATING 1	1	
12	97011-06016-00	BOLT (97021-06016)	1	
13	92995-06100-00	WASHER, SPRING	1	
14	90201-06075-00	WASHER, PLATE	1	
15	2M0-24500-04-00	FUEL COCK ASSEMBLY 1 (2M0-24500-03)	1	SE -114240
	2M0-24500-04-00	FUEL COCK ASSEMBLY 1 (2M0-24500-03)	1	SE 114241-
16	2M0-24510-04-00	FUEL COCK ASSEMBLY 2 (2M0-24510-02)	1	SE -114240
	2M0-24510-04-00	FUEL COCK ASSEMBLY 2 (2M0-24510-02)	1	SE 114241-
17	2G2-24512-00-00	. GASKET	2	
18	2G2-24514-00-00	. NET, FILTER 1	2	
19	16G-24523-00-00	. VALVE	2	
20	2G2-24534-00-00	. SEAL, COCK	2	
21	(2G2-24524-00-00)	LEVER, COCK	1	
	(2G2-24524-10-00)	LEVER, COCK	1	
22	16G-24518-00-00	. WASHER, WAVE	2	

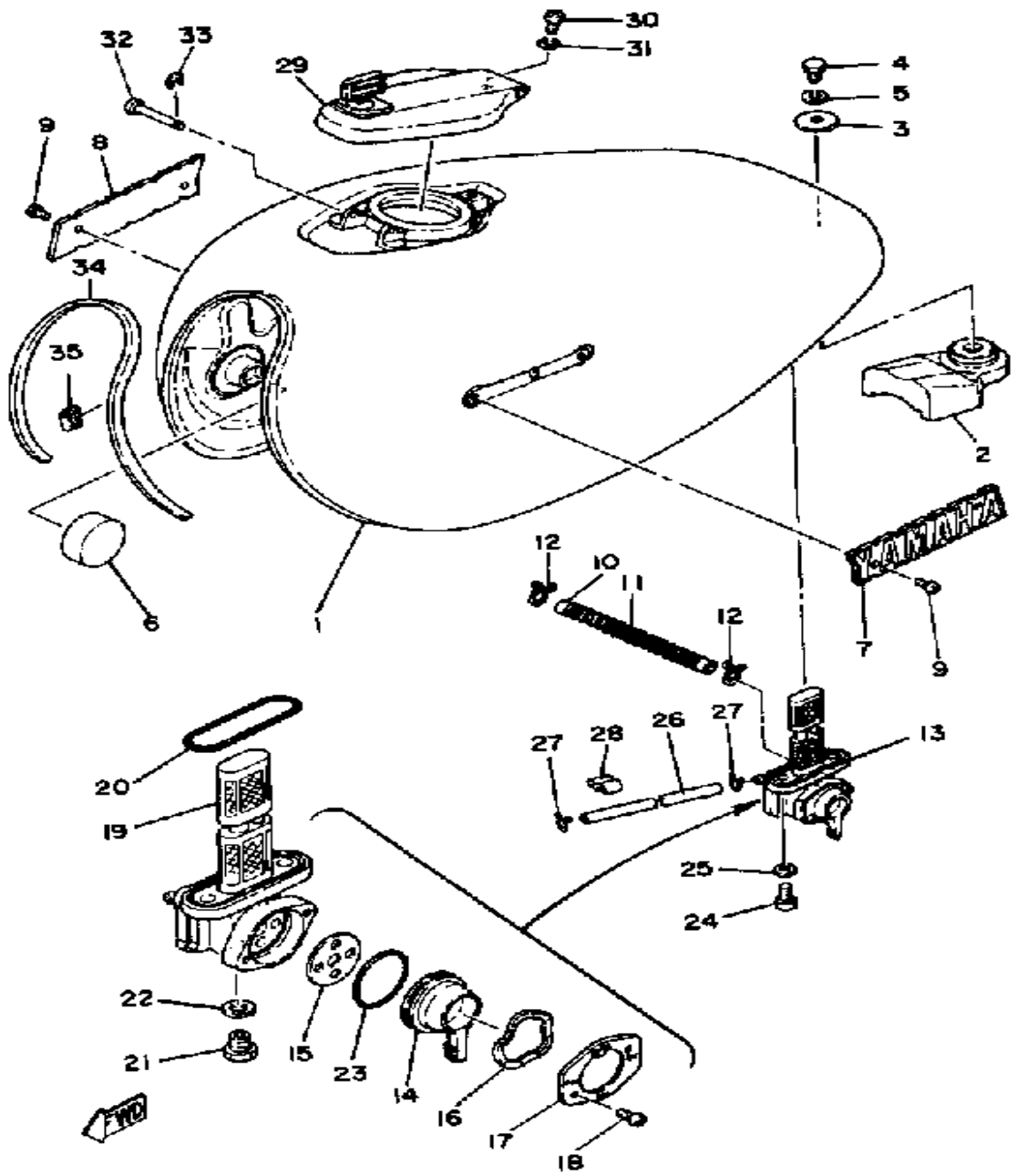
CONTINUED ON NEXT FRAME ►

FUEL TANK



Ref. No.	Part Number	Description	Qty	Remarks
23	(2G2-24525-00-00)	PLATE, LVR FITTING	1	
	2G2-24525-10-00	. PLATE, LVR FITTING	1	
24	98580-03008-00	. SCREW, PAN HEAD	4	
25	2G2-34522-00-00	. UNAVAILABLE IN PRICE BOOK	2	
26	2G2-24543-00-00	. PLUG, DRAIN	2	
27	90149-06008-00	SCREW	4	
28	90202-05187-00	WASHER, PLATE	4	
29	90445-10133-00	HOSE	2	
30	90504-06023-00	SPRING, COMPRESSION	2	
31	90467-09006-00	CLIP	4	
32	90445-07176-00	HOSE	2	SE -114240
	90445-07370-00	HOSE (L850)	2	SE 114241-
33	90467-07029-00	CLIP	4	
34	90464-60067-00	CLAMP	2	
35	2M0-24189-00-00	PLATE, MOLD	1	
36	90468-03063-00	CLIP	4	

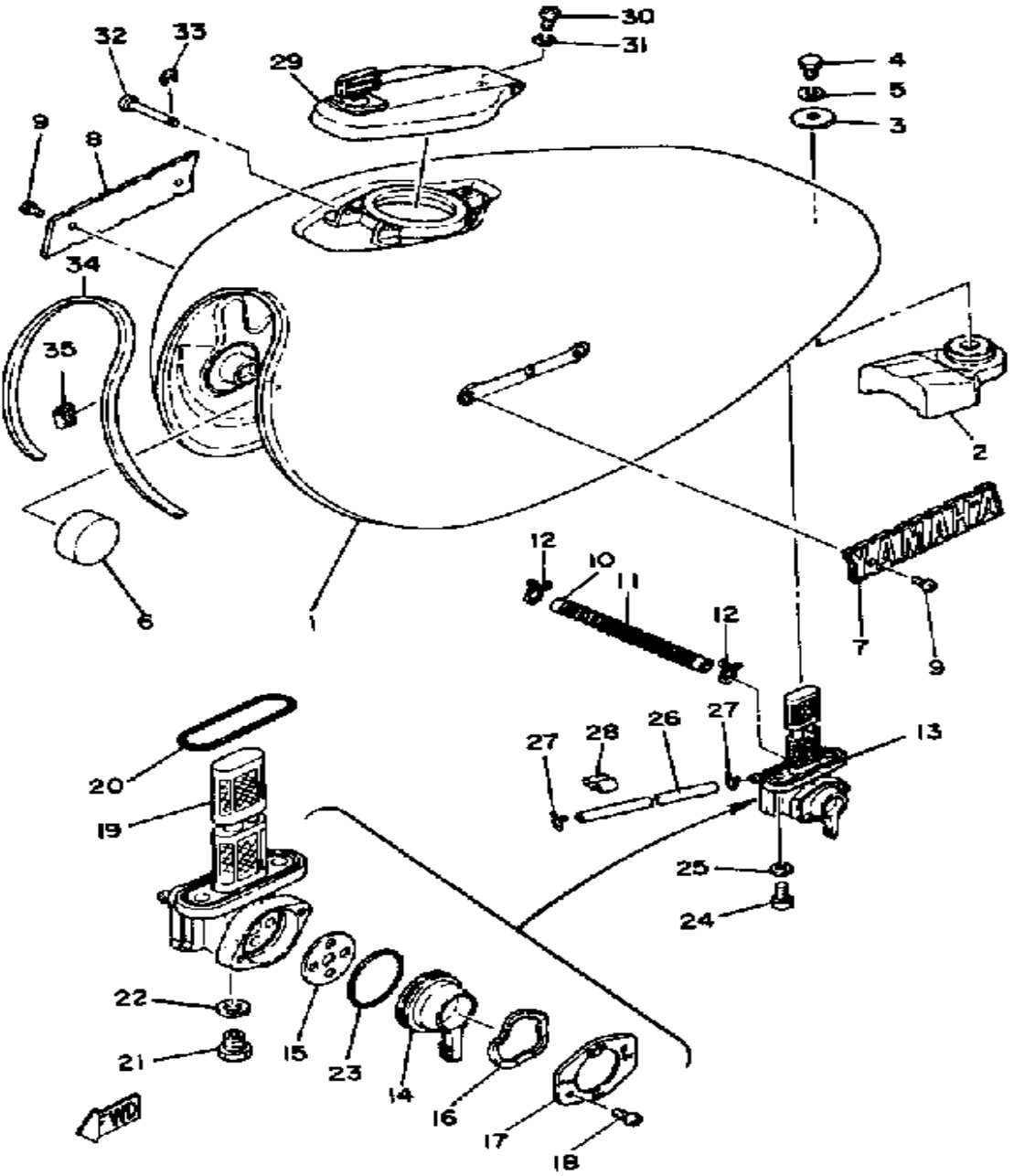
FUEL TANK



Ref. No.	Part Number	Description	Qty	Remarks
1	2M0-24110-00-E9	FUEL TANK	1	CARMINE RD
	2M0-24110-00-H9	FUEL TANK	1	BLK GOLD
2	(2M0-24244-00-00)	GRAPHIC, FUEL TNK 1	1	
3	(2M0-24245-00-00)	GRAPHIC, FUEL TNK 2	1	
4	2M0-24161-00-00	EMBLEM 1	1	
5	2M0-24162-00-00	EMBLEM 2	1	
6	90152-04006-00	SCREW, COUNTERSUNK	4	
7	4R0-24602-01-00	CAP ASSEMBLY	1	
8	98580-05010-00	SCREW, PAN HEAD	1	
9	92990-05100-00	WASHER, SPRING	1	
10	90249-03123-00	PIN, SPEC'L SHAPE	1	
11	93430-02001-00	CIRCLIP	1	
12	278-24181-00-00	DAMPER, LOCATING 1	2	
13	256-24181-01-00	DAMPER, LOCATING 1	1	
14	97011-06016-00	BOLT (97021-06016)	1	
15	92995-06100-00	WASHER, SPRING	1	
16	90201-06075-00	WASHER, PLATE	1	
17	2M0-24500-04-00	FUEL COCK ASSEMBLY 1 (2M0-24500-03)	1	
18	2M0-24510-04-00	FUEL COCK ASSEMBLY 2 (2M0-24510-02)	1	
19	2G2-24512-00-00	. GASKET	2	
20	3G1-24514-00-	UNAVAILABLE IN PRICE BOOK	1	
	3Y1-24514-00-	UNAVAILABLE IN PRICE BOOK	1	
21	16G-24523-00-00	. VALVE	2	
22	2G2-24534-00-00	. SEAL, COCK	2	
23	(2G2-24524-00-00)	LEVER, COCK	1	
	(2G2-24524-10-00)	LEVER, COCK	1	
24	16G-24518-00-00	. WASHER, WAVE	2	

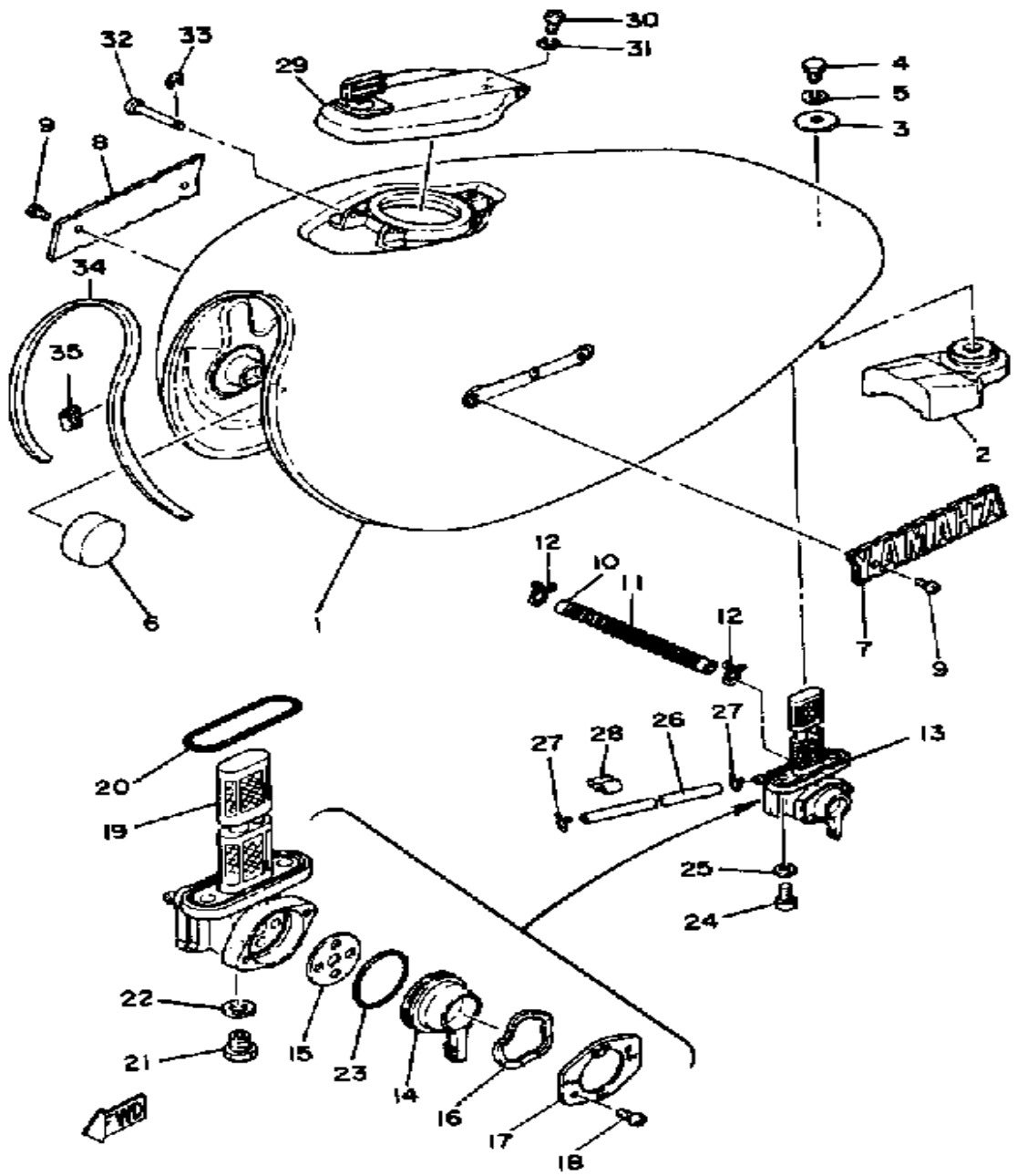
CONTINUED ON NEXT FRAME ►

FUEL TANK



Ref. No.	Part Number	Description	Qty	Remarks
25	(2G2-24525-00-00)	PLATE, LVR FITTING	1	
	2G2-24525-10-00	. PLATE, LVR FITTING	1	
26	98580-03008-00	. SCREW, PAN HEAD	4	
27	2G2-24522-00-00	. GASKET	2	
28	2G2-24543-00-00	. PLUG, DRAIN	2	
29	90149-06008-00	SCREW	4	
30	90202-05187-00	WASHER, PLATE	4	
31	90445-10386-00	HOSE	4	
32	90504-06023-00	SPRING, COMPRESSION	2	
33	90467-09006-00	CLIP	4	
34	90445-07370-00	HOSE (L850)	2	
35	90467-07029-00	CLIP	4	
36	90464-60067-00	CLAMP	2	
37	2M0-24189-00-00	PLATE, MOLD	1	
38	90468-03063-00	CLIP	4	

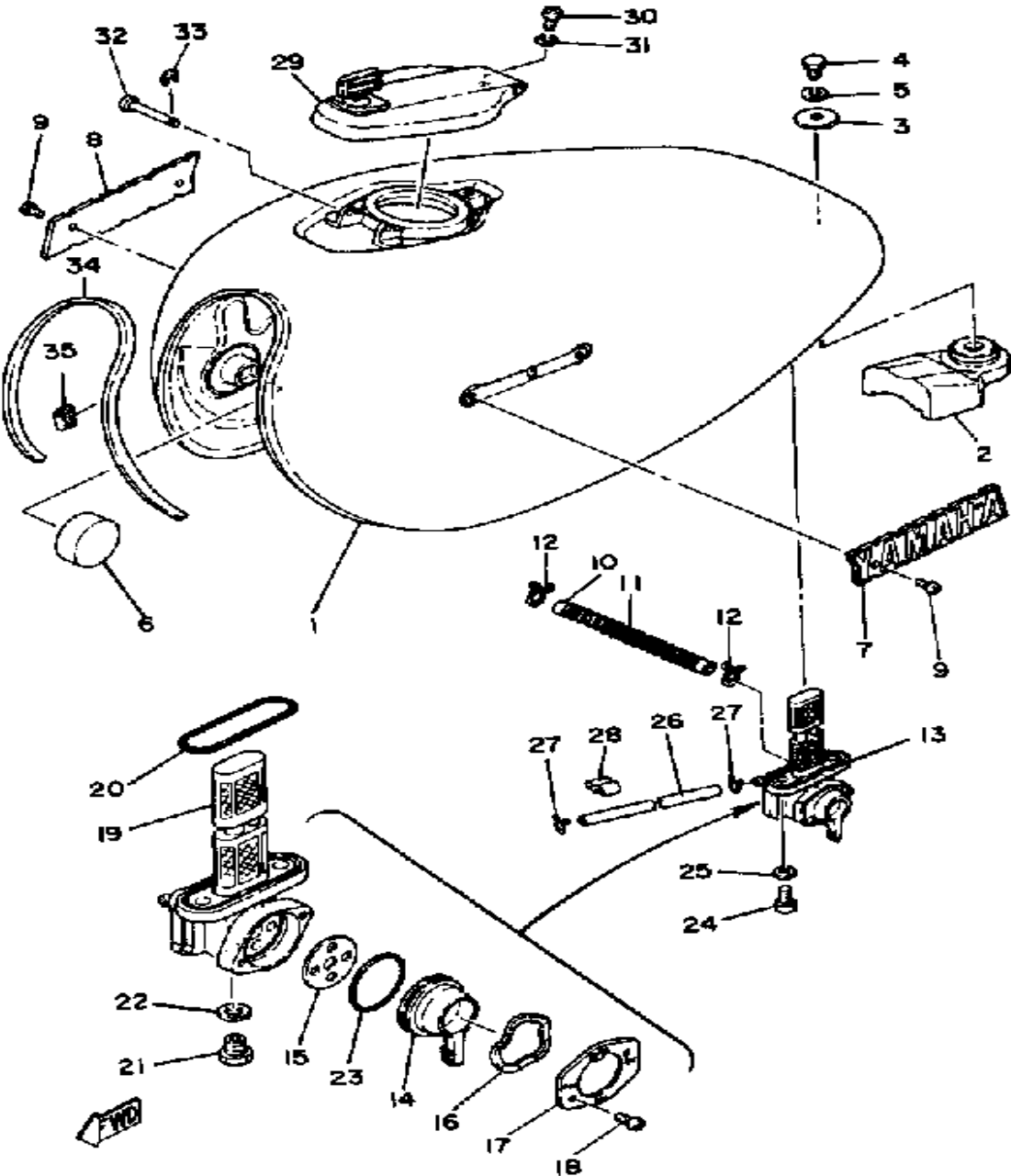
FUEL TANK



Ref. No.	Part Number	Description	Qty	Remarks
1	3G1-24110-00-4H	FUEL TANK	1	U.R. CARDINAL RD
	3G1-24110-00-6G	FUEL TANK	1	U.R. NW YAMAHA BL
2	256-24181-01-00	DAMPER, LOCATING 1	1	
3	90201-06075-00	WASHER, PLATE	1	
4	97011-06016-00	BOLT (97021-06016)	1	
5	92995-06100-00	WASHER, SPRING	1	
6	278-24181-00-00	DAMPER, LOCATING 1	2	
7	3G1-24161-00-00	EMBLEM 1	1	
8	3G1-24162-00-00	EMBLEM 2	1	
9	90152-04006-00	SCREW, COUNTERSUNK	4	
10	90445-10137-00	HOSE (810-24315-00)	1	
11	90501-06583-00	SPRING, COMPRESSION	1	
12	90467-09006-00	CLIP	2	
13	3G1-24500-03-00	FUEL COCK ASSEMBLY 1	1	
14	(2G2-24524-00-00)	LEVER, COCK	1	
15	16G-24523-00-00	. VALVE	1	
16	16G-24518-00-00	. WASHER, WAVE	1	
17	(2G2-24525-00-00)	PLATE, LVR FITTING	1	
18	98580-03008-00	. SCREW, PAN HEAD	2	
19	2G2-24514-00-00	. NET, FILTER 1	1	
20	2G2-24512-00-00	. GASKET	1	
21	2G2-24543-00-00	. PLUG, DRAIN	1	
22	2G2-24522-00-00	. GASKET	1	
23	2G2-24534-00-00	. SEAL, COCK	1	
24	90149-06008-00	SCREW	2	
25	90202-05187-00	WASHER, PLATE	2	
26	90445-09488-00	HOSE	1	
27	90467-08003-00	CLIP	2	
28	90464-60067-00	CLAMP	1	

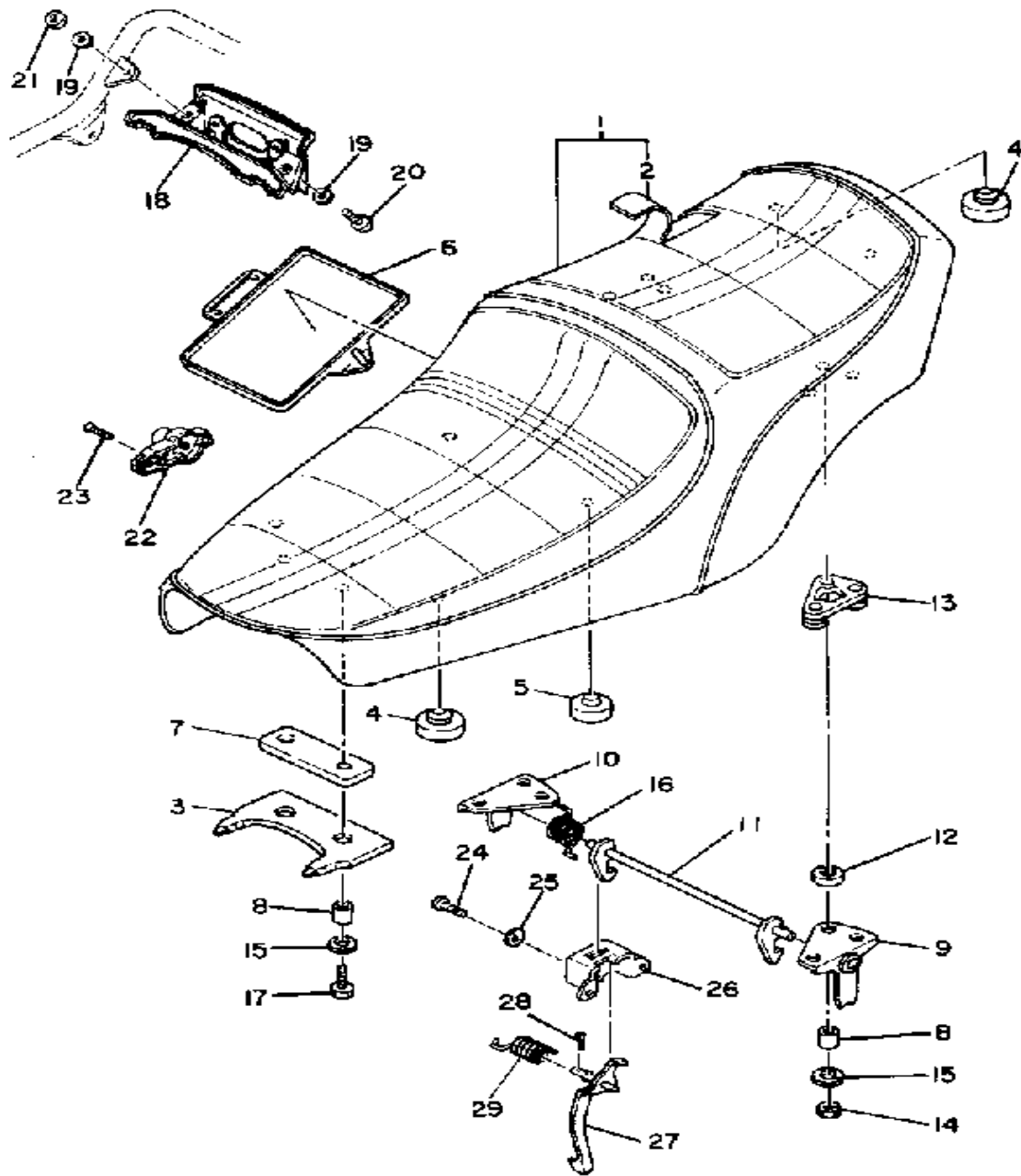
CONTINUED ON NEXT FRAME ➤

FUEL TANK



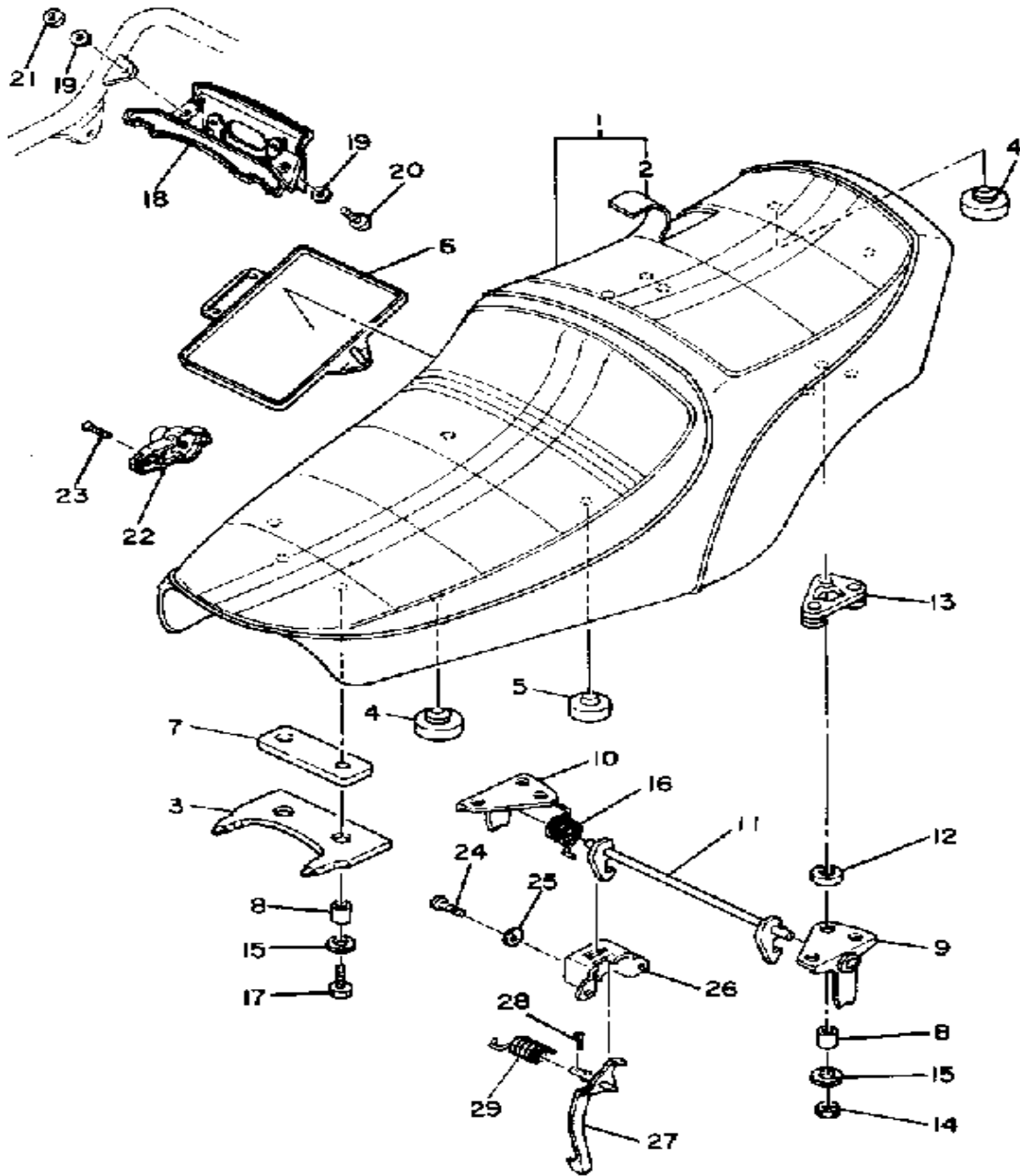
Ref. No.	Part Number	Description	Qty	Remarks
29	4R0-24602-01-00	CAP ASSEMBLY	1	
30	98580-05010-00	SCREW, PAN HEAD	1	
31	92990-05100-00	WASHER, SPRING	1	
32	90249-03123-00	PIN, SPEC'L SHAPE	1	
33	93430-02001-00	CIRCLIP	1	
34	2M0-24189-00-00	PLATE, MOLD	1	
35	90468-03063-00	CLIP	4	

SEAT



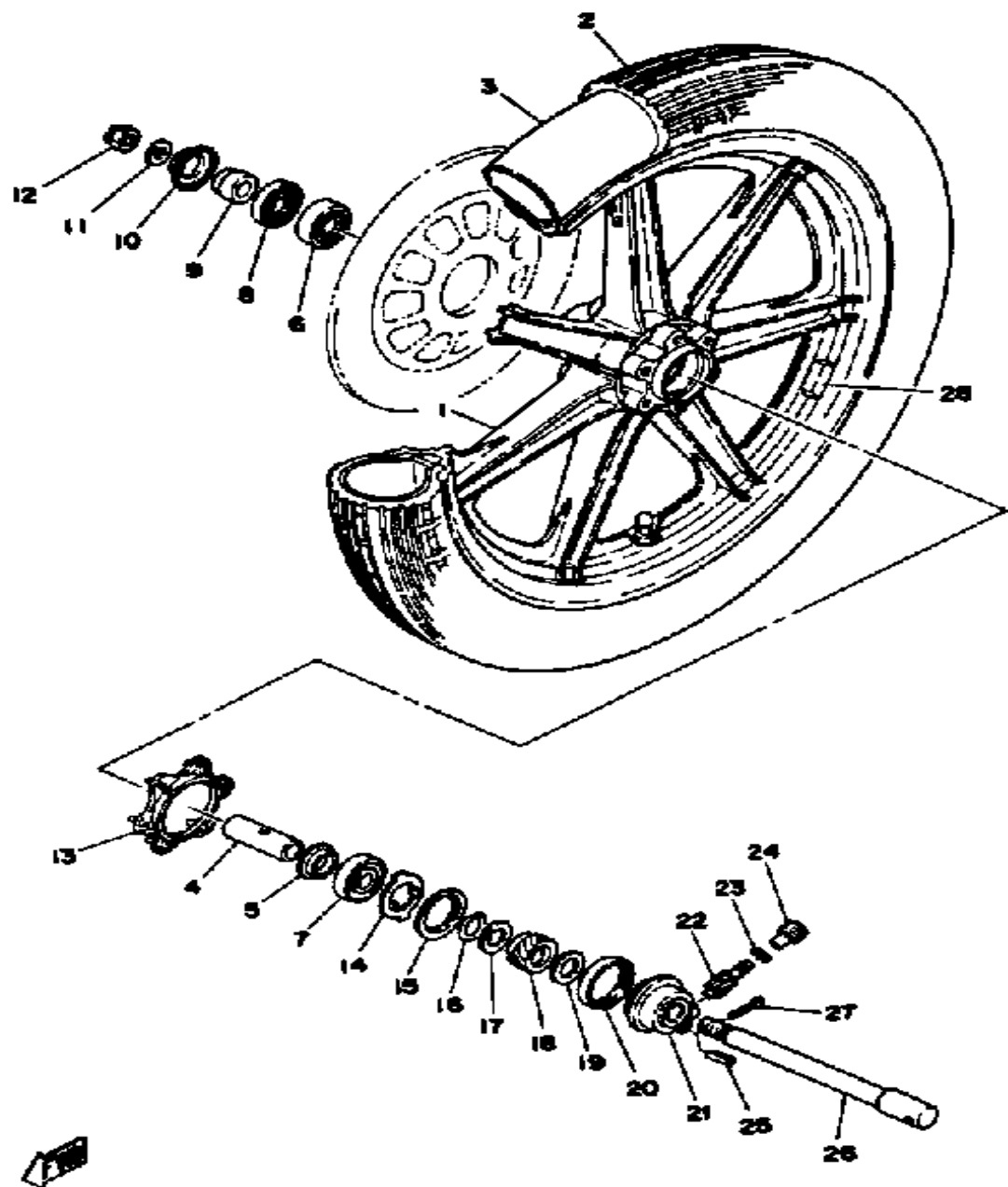
Ref. No.	Part Number	Description	Qty	Remarks
1	2M0-24730-91-00	DOUBLE SEAT ASSEMBLY ...	1	
2	2M0-24731-00-00	. COVER, DOUBLE SEAT	1	
3	389-24726-00-33	HINGE, SEAT	1	YAMAHA BLK
4	307-24726-00-33	HINGE, SEAT	1	SE 114241-
	371-24726-01-00	HINGE, SEAT	1	SE -114240
5	2M0-24728-01-00	BRACKET, SEAT (2M0-24728-00)	1	
6	90101-06304-00	BOLT	6	
7	91701-05055-00	PIN, CLEVIS	2	
8	90468-10050-00	CLIP	2	
9	584-24705-00-00	SEAT LOCK ASSEMBLY	1	
10	98706-06012-00	SCREW, FLAT HEAD	2	
11	1L9-24741-00-00	PAD, SEAT	4	
12	278-27114-00-00	STOPPER, MAIN STAND	1	SE -114240
13	389-24756-00-00	COVER, TAIL	1	
14	92995-06100-00	WASHER, SPRING	1	
15	97011-06010-00	BOLT (97021-06010)	1	
16	2R6-28185-00-00	LID	1	
17	90480-06007-00	GROMMET (341-28187-00)	1	
18	341-28188-00-00	PLUNGER	1	
19	2M0-24768-00-00	STOPPER	1	
20	1J7-24718-00-00	BRACKET, SEAT	1	
21	1J7-24719-00-00	STAY, REAR	1	

SEAT



Ref. No.	Part Number	Description	Qty	Remarks
1	4G7-W2472-00-00	DOUBLE SEAT ASSEMBLY	1	
2	3G1-24731-00-00	. COVER, DOUBLE SEAT	1	
3	(3G1-24718-00-00)	BRACKET, SEAT	1	
4	1L9-24741-00-00	PAD, SEAT	4	
5	371-27114-00-00	STOPPER, MAIN STAND	2	
6	2R6-28185-00-00	LID	1	
7	3G1-24737-00-00	DAMPER, SEAT	1	
8	90560-07007-00	SPACER	8	
9	3G1-24748-01-00	BRACKET, SEAT	1	
10	(3G1-24738-01-00)	BRACKET, SEAT	1	
11	3G1-24754-01-00	HOOK, SEAT	1	
12	3G1-24747-00-00	DAMPER, SEAT	2	
13	3G1-24724-00-00	DAMPER, SEAT	2	
14	95380-06600-00	NUT, HEXAGON	6	
15	90201-06M02-00	WASHER, PLATE	8	
16	90508-18439-00	SPRING, TORSION	1	
17	97011-06025-00	BOLT (97001-06025)	2	
18	3G1-24756-00-00	COVER, TAIL	1	
19	92990-08200-00	WASHER, PLAIN	4	
20	97001-08025-00	BOLT (1NV)	2	
21	95333-08600-00	NUT	2	
22	4R2-24705-00-00	SEAT LOCK ASSEMBLY	1	
23	98706-06030-00	SCREW, FLAT HEAD	1	
24	98580-06012-00	SCREW, PAN HEAD	2	
25	92901-06600-00	WASHER, PLATE	2	
26	3G1-24775-00-00	BRACKET, SEAT LEVER	1	
27	3G1-24776-00-00	LEVER, SEAT	1	
28	91490-20020-00	PIN, COTTER	2	
29	90508-20413-00	SPRING, TORSION	1	

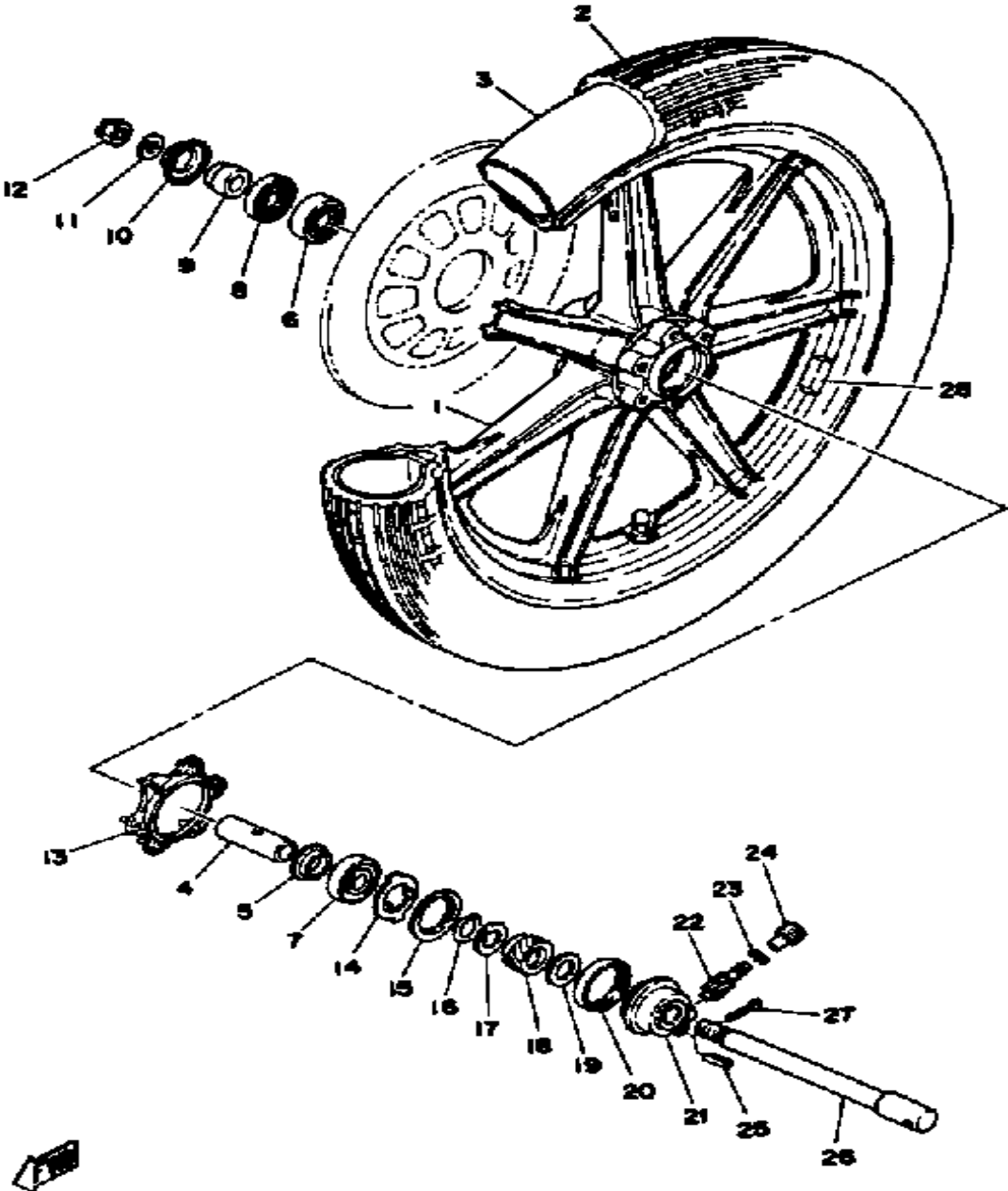
FRONT WHEEL



Ref. No.	Part Number	Description	Qty	Remarks
1	(2H7-25168-20-00)	WHEEL, CAST FRONT	1	
	(2M1-25168-20-00)	WHEEL, CAST FRONT 0 0	1	556-
2	(94135-19400-00)	350S19 Y990TL YOKO 0 0	1	556-
	(NA---)	UNAVAILABLE IN PRICE BOOK	1	
	93900-00001-00	VALVE, RIM	1	556-
3	94210-19222-00	TUBE (3.25-19)	1	SE -114240
	94210-19224-00	TUBE (100/90-19 TR4 BTL)	1	SE 114241-
4	90560-17126-00	SPACER	1	
5	146-25315-00-00	FLANGE, SPACER	1	
6	93306-30309-00	BEARING	1	
7	93306-30309-00	BEARING	1	
8	93102-28022-00	OIL SEAL	1	
9	90387-17433-00	COLLAR	1	
10	341-25118-00-00	COVER, hub dust	1	
11	92990-14200-00	WASHER, PLAIN	1	
12	90171-14020-00	NUT, CASTLE	1	
13	1U4-25847-00-00	COVER, HOUSING	1	
14	341-25149-00-00	CLUTCH, METER	1	
15	341-25846-00-00	RETAINER, CLUTCH	1	
16	341-25137-00-00	RING, STOP	1	
17	90201-25286-00	WASHER, PLATE (341-25147-00)	1	
18	341-25135-01-00	GEAR, DRIVE	1	
19	90201-25490-00	WASHER, PLATE	1	
20	93105-45017-00	OIL SEAL	1	
21	341-25191-01-00	HOUSING, GEAR	1	
22	306-25138-00-00	GEAR, METER	1	
23	102-18416-00-00	SHIM, ROD	1	
24	306-25136-00-00	BUSH	1	

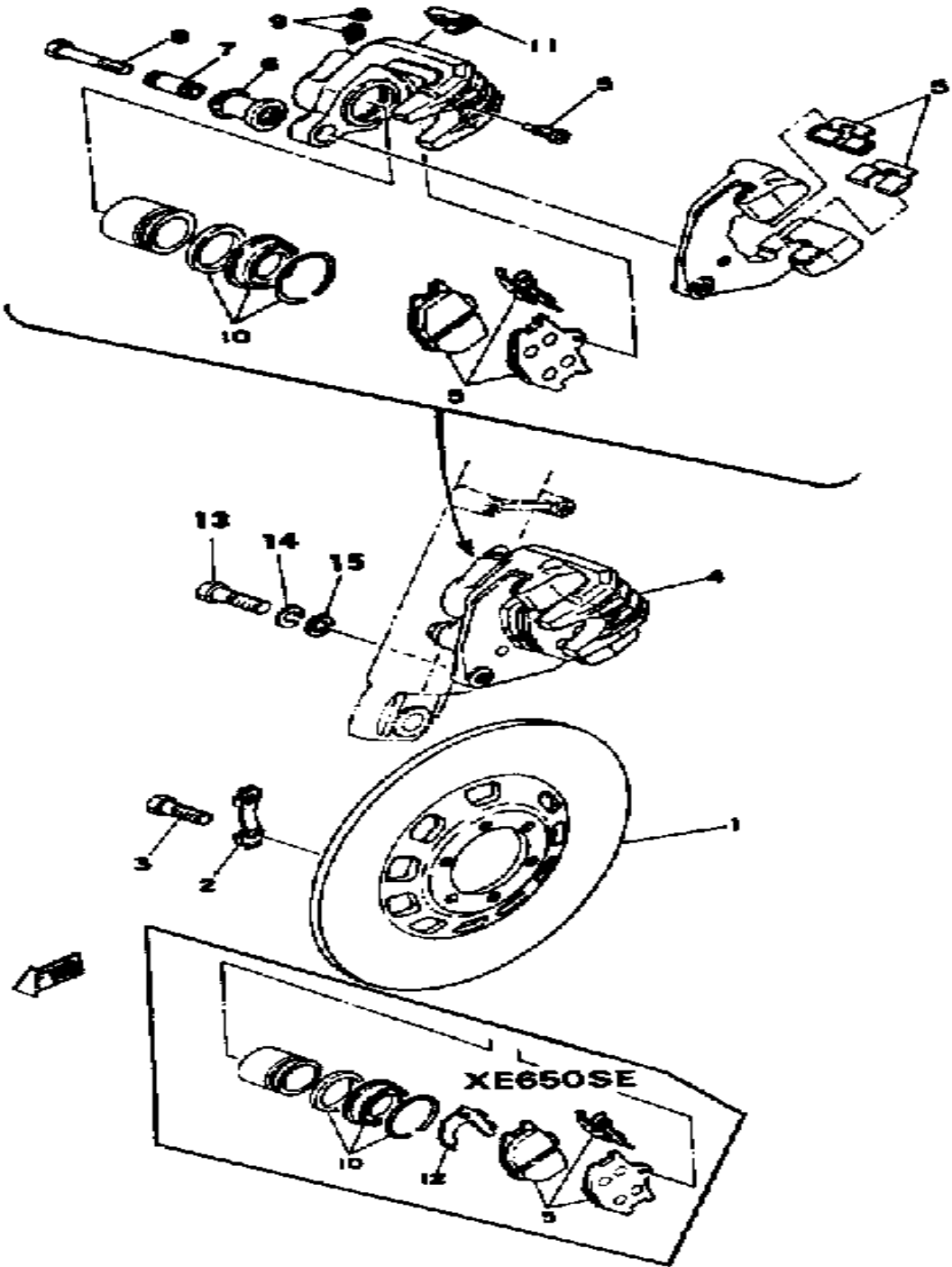
CONTINUED ON NEXT FRAME ►

FRONT WHEEL



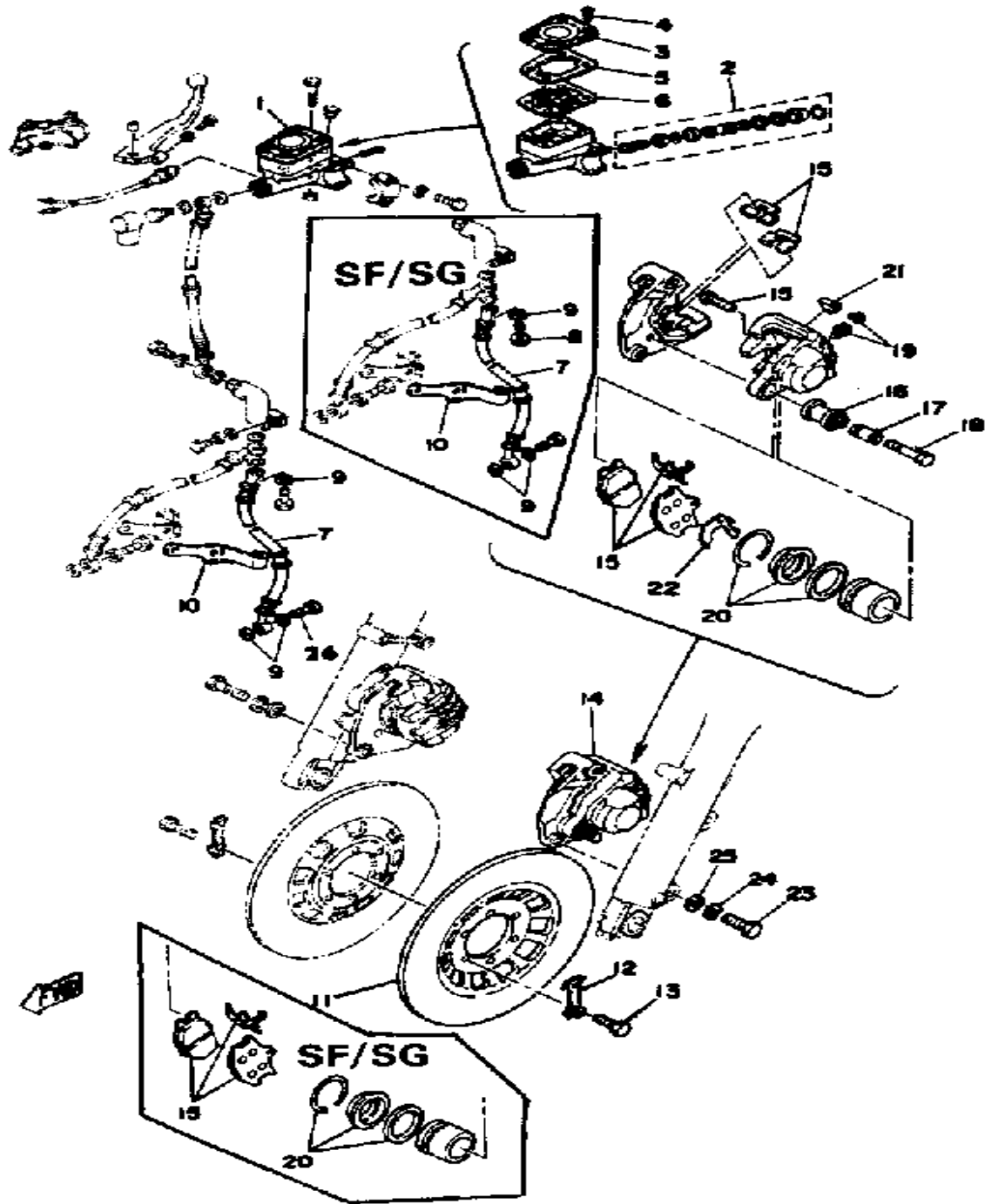
Ref. No.	Part Number	Description	Qty	Remarks
25	91609-20014-00	PIN, SPRING	1	
26	341-25181-01-00	AXLE, WHEEL	1	
27	91401-30030-00	PIN, COTTER	1	
28	1A1-25398-01-00	BALANCER, WHEEL (20G)	1	20G
	1A1-25399-00-00	BALANCER, WHEEL (10G)	1	10G
	2M0-25399-00-00	BALANCER, WHEEL (30G)	1	30G SE 114241-

FRONT DISC BRAKE-CALIPER



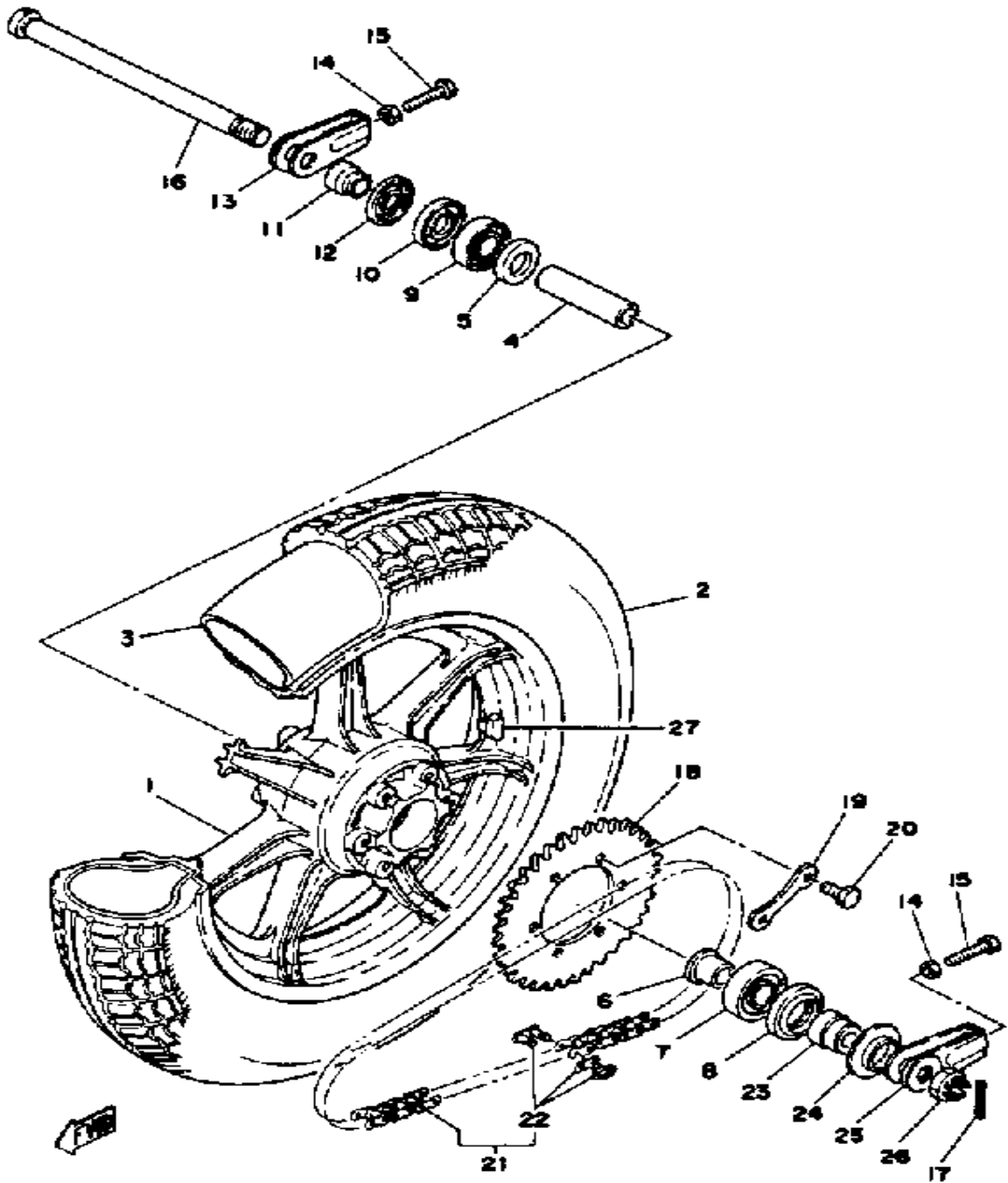
Ref. No.	Part Number	Description	Qty	Remarks
1	(1J3-25831-00-00)	DISC, BRAKE	1	
2	1J3-25834-01-00	WASHER, LOCK	3	
	2H5-25834-00-00	UNAVAILABLE IN PRICE BOOK	3	
3	90101-08312-00	BOLT	6	
	90101-08477-00	BOLT	6	
4	3H5-25810-02-00	CALIPER ASSEMBLY RH	1	
5	(1J3-25913-00-00)	RETAINER	2	SE 114241-
	4K0-W0045-01-00	. BRAKE PAD KIT, FRNT	1	SE -114240
6	1J3-25917-00-00	. BOOT, CALIPER	1	
7	1J3-25838-00-00	. SLEEVE, CALIPER	1	
8	90105-08145-00	. BOLT, WASHER BASED	1	
9	1J3-W0048-00-00	. BLEED SCREW KIT	1	
10	1J3-W0047-00-00	. CALIPER SEAL KIT	1	
11	1J3-25845-01-00	. CAP, INDICATOR	1	
12	1J3-25827-00-00	SHIM, CALIPER	1	SE 114241-
13	90105-10638-00	BOLT, WASHER BASED	2	
14	92990-10100-00	WASHER, SPRING	2	
15	92990-10200-00	WASHER	2	

DOUBLE DISC BRAKE



Ref. No.	Part Number	Description	Qty	Remarks
1	2G2-25850-01-00	MSTR CYLINDER ASSEMBLY .	1	
2	(2G2-W0051-00-00)	CYLINDER KIT M95T	1	SE -114240
	1J3-W0041-20-00	. CYLINDER KIT, MASTER	1	SE 114241-
3	1J3-25852-01-00	. CAP, RESERVOIR	1	
4	2G2-25857-00-00	. SCREW	4	
5	1J3-25855-01-00	. BUSH, DIAPHRAGM	1	
6	1J3-25854-01-00	. DIAPHRAGM RESERVOR	1	
7	1T3-25873-00-00	HOSE, BRAKE 2	1	
8	90401-10044-00	BOLT, UNION	1	
9	90201-10118-00	WASHER, PLATE	3	
10	1J3-25876-02-00	HOLDER, BRKE HOSE 2	1	
11	(1J3-25831-00-00)	DISC, BRAKE	1	
12	1J3-25834-01-00	WASHER, LOCK	3	
13	90101-08312-00	BOLT	6	
14	3H5-25810-12-00	CALIPER ASSEMBLY LH	1	
15	4K0-W0045-01-00	. BRAKE PAD KIT, FRNT	1	SE 114241-
16	1J3-25917-00-00	. BOOT, CALIPER	1	
17	1J3-25838-00-00	. SLEEVE, CALIPER	1	
18	90105-08145-00	. BOLT, WASHER BASED	1	
19	1J3-W0048-00-00	. BLEED SCREW KIT	1	
20	1J3-W0047-00-00	. CALIPER SEAL KIT	1	
21	1J3-25845-01-00	. CAP, INDICATOR	1	
22	1J3-25827-10-00	. SHIM, CALIPER	1	SE -114240
23	90105-10638-00	BOLT, WASHER BASED	2	
24	92990-10100-00	WASHER, SPRING	2	
25	92990-10200-00	WASHER	2	
26	90401-10034-00	BOLT, UNION	1	
	90401-10044-00	BOLT, UNION	1	

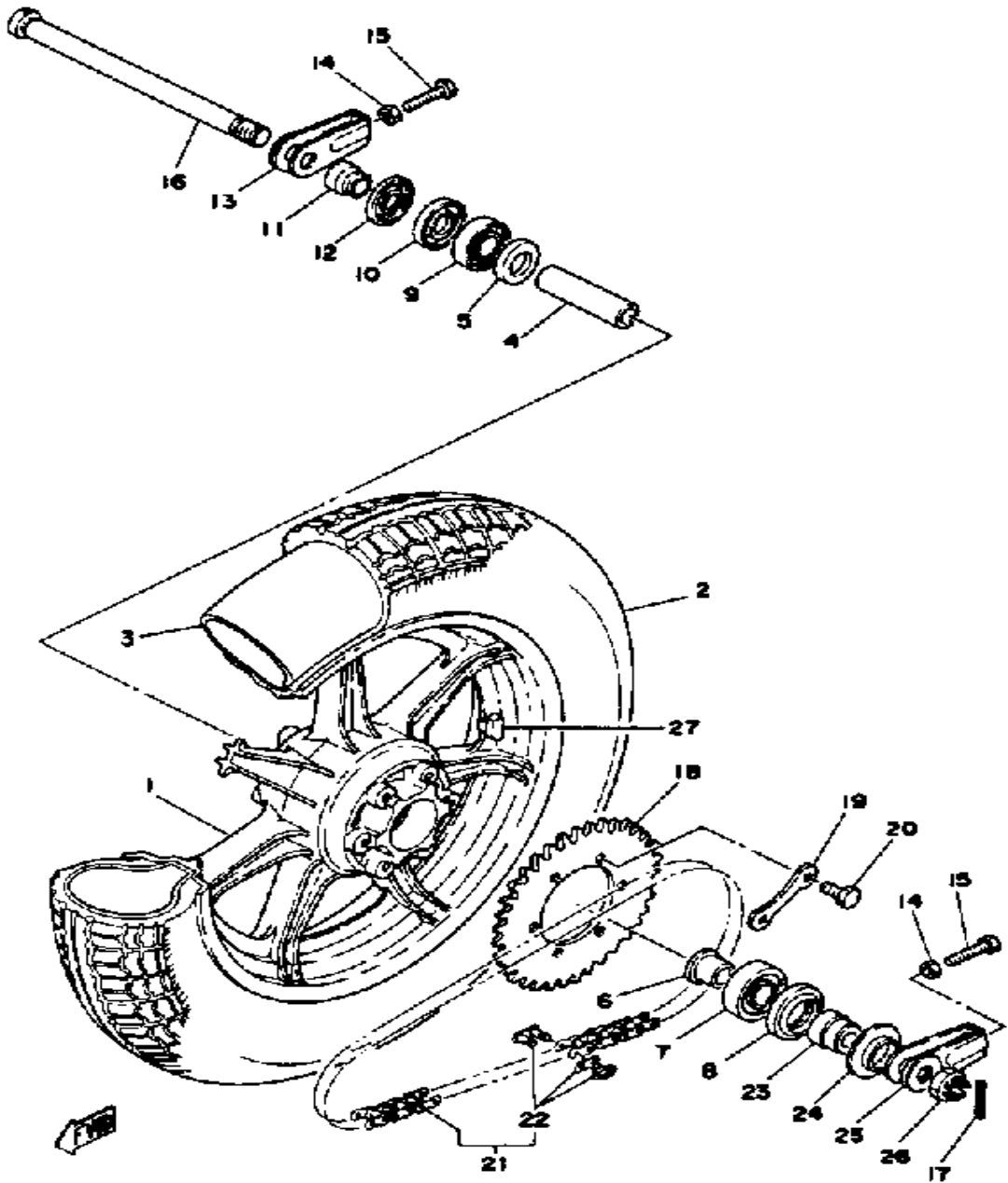
REAR WHEEL



Ref. No.	Part Number	Description	Qty	Remarks
1	(2M0-25338-20-00)	WHEEL, CAST REAR	1	
	(2M1-25338-20-00)	WHEEL, CAST REAR	1	
2	(94113-16443-00)	130/90-16 YOKO TL	1	
	(N/A---)	UNAVAILABLE IN PRICE BOOK	1	
	93900-00001-00	VALVE, RIM	1	
3	94213-16135-00	TUBE 130/90- 6	1	
4	2M0-25317-00-00	SPACER, BEARING	1	
5	2H7-25315-00-00	FLANGE, SPACER	1	
6	90387-20166-00	COLLAR	1	
7	93306-30507-00	BEARING	1	SE -114240
	93306-30507-00	BEARING	1	SE 114241-
8	93102-35065-00	OIL SEAL, SD-TYPE	1	
9	93306-30417-00	BEARING (B6304ZZ)	1	
10	93104-27026-00	OIL SEAL, SO-TYPE	1	
11	3H3-25377-00-00	COLLAR, WHEEL	1	
12	1J7-25367-00-00	COVER, HUB DUST	1	
13	341-25388-01-00	PULLER, CHAIN 1	1	
14	95303-08700-00	NUT	2	SE -114240
	95303-08700-00	NUT	2	SE 114241-
15	90101-08404-00	BOLT	2	
16	341-25381-00-00	AXLE, WHEEL	1	
17	91401-40040-00	PIN, COTTERPIN, COTTER (91401-40030)	1	
18	256-25434-20-33	SPROCKET, DRIVN 34T	1	
19	256-25412-00-00	WASHER	3	
20	90101-10479-00	BOLT	6	
21	94580-05104-00	50HDS-104L	1	
22	94680-05011-00	. CHAIN JOINT	1	
23	90387-20176-00	COLLAR	1	

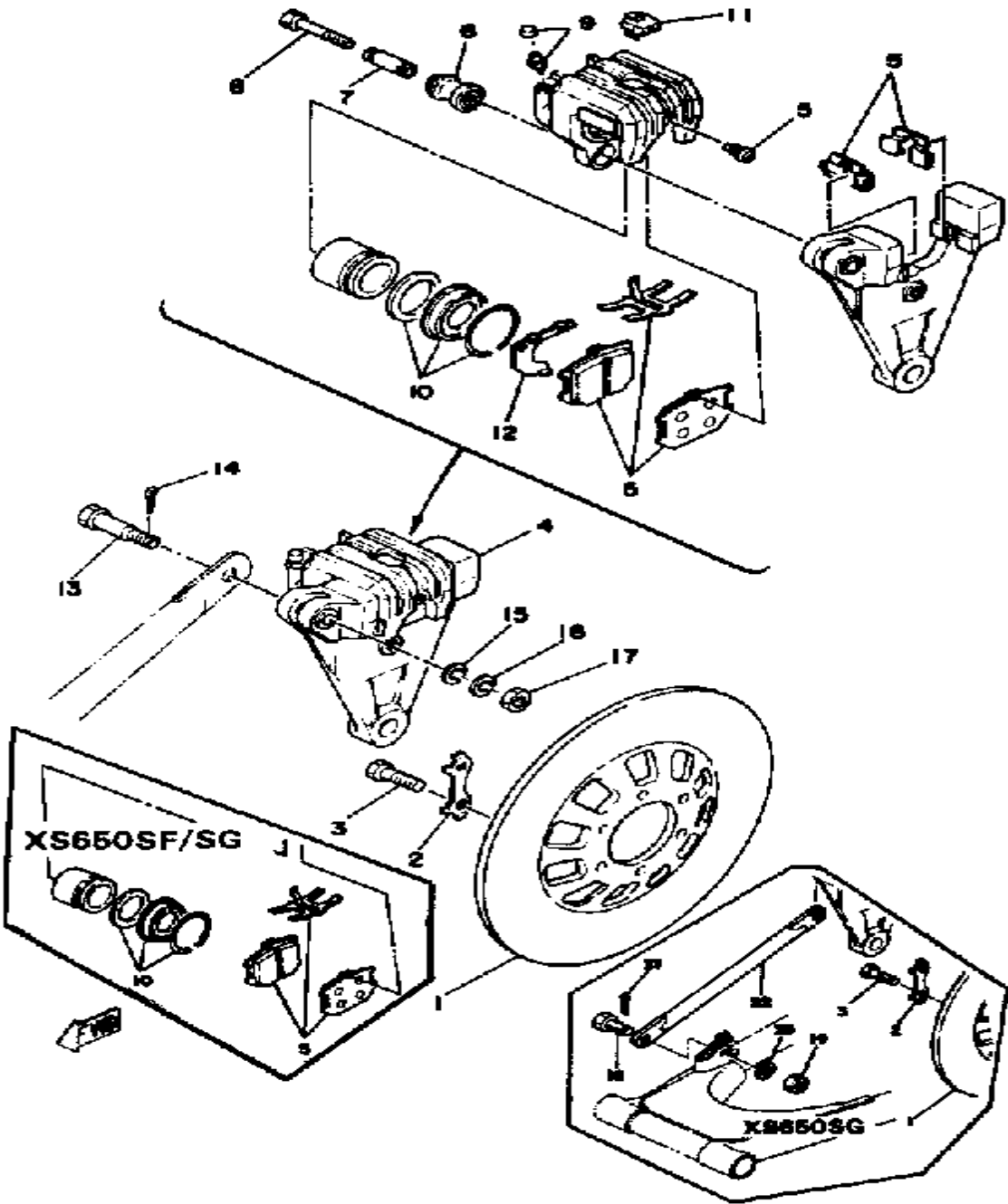
CONTINUED ON NEXT FRAME ►

REAR WHEEL



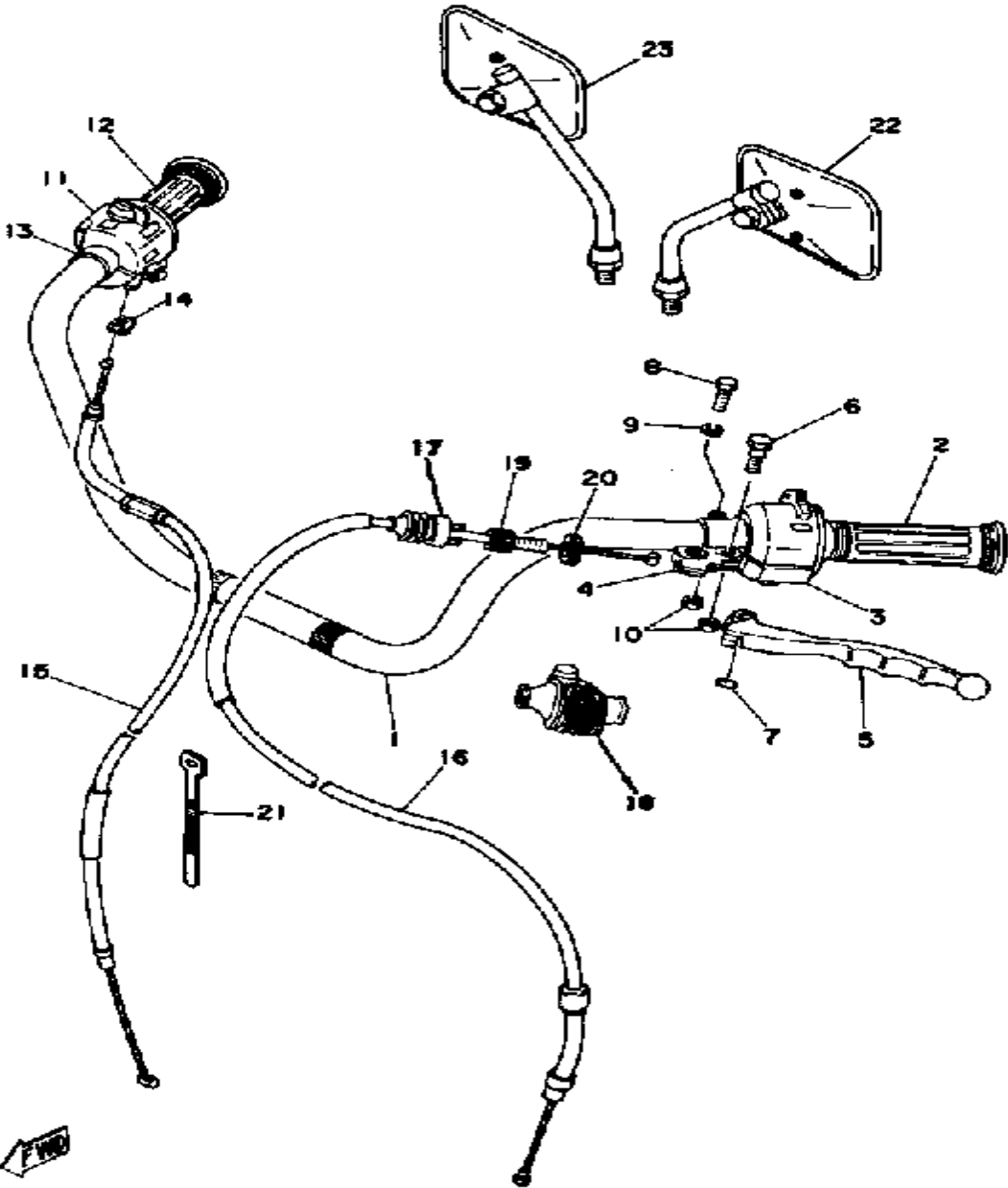
Ref. No.	Part Number	Description	Qty	Remarks
24	256-25367-00-00	COVER, HUB DUST	1	
25	341-25389-00-00	PULLER, CHAIN 2	1	
26	90171-18043-00	NUT, CASTLE	1	
27	1A1-25398-01-00	BALANCER, WHEEL (20G) ...	1	20G
	1A1-25399-00-00	BALANCER, WHEEL (10G) ...	1	10G
	2M0-25399-00-00	BALANCER, WHEEL (30G) ...	1	30G

REAR DISC BRAKE-CALIPER



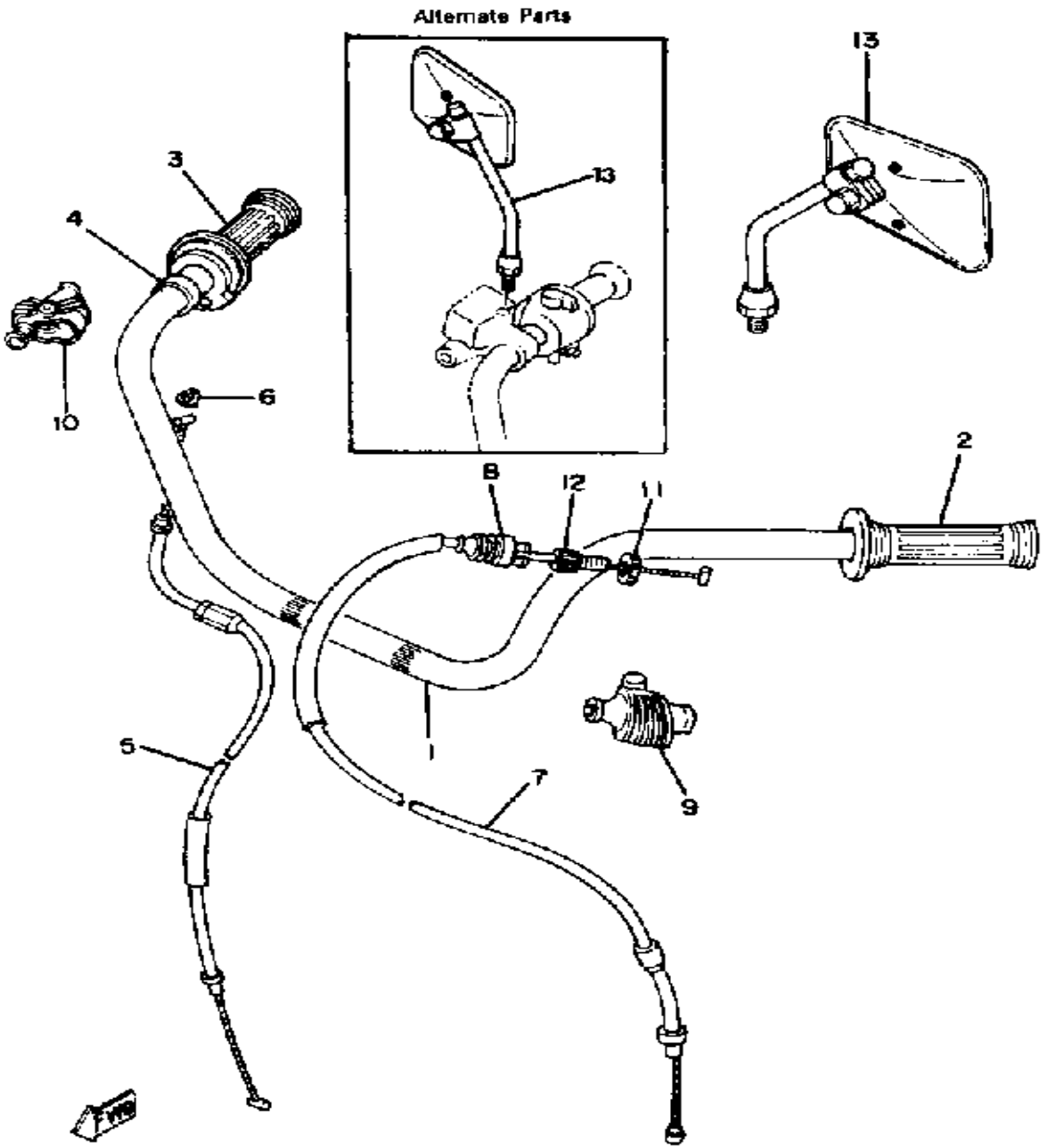
Ref. No.	Part Number	Description	Qty	Remarks
1	1J3-25831-50-00	DISC, BRAKE	1	
2	1J3-25834-01-00	WASHER, LOCK	3	
	3H3-25834-00-00	UNAVAILABLE IN PRICE BOOK	3	
3	90101-08312-00	BOLT	6	
	90101-08477-00	BOLT	6	
4	3G1-25810-52-00	CALIPER ASSEMBLY	1	
5	4K0-W0045-01-00	. BRAKE PAD KIT, FRNT	1	
6	1J3-25917-00-00	. BOOT, CALIPER	1	
7	1J3-25838-00-00	. SLEEVE, CALIPER	1	
8	90105-08145-00	. BOLT, WASHER BASED	1	
9	1J3-W0048-00-00	. BLEED SCREW KIT	1	
10	1J3-W0047-00-00	. CALIPER SEAL KIT	1	
11	1J3-25845-01-00	. CAP, INDICATOR	1	
12	1J2-25827-00-00	. UNAVAILABLE IN PRICE BOOK	1	SE -114240
13	(90109-08499-00)	BOLT	1	
	(90109-08561-00)	BOLT	1	
14	91490-20020-00	PIN, COTTER	1	
15	92901-08600-00	WASHER, PLATE	1	
	92906-08600-00	WASHER	1	
16	92906-08100-00	WASHER, SPRING	1	
	92990-08100-00	WASHER, SPRING	1	
17	90170-08158-00	NUT	1	
18	(90102-12041-00)	BOLT, WITH HOLE	1	
19	95301-12700-00	NUT (95302-12700)	1	
20	92990-12600-00	WASHER, PLATE	1	
21	91490-20020-00	PIN, COTTER	2	
22	2M0-25371-00-00	BAR, TENSION	1	

HANDLE-WIRE



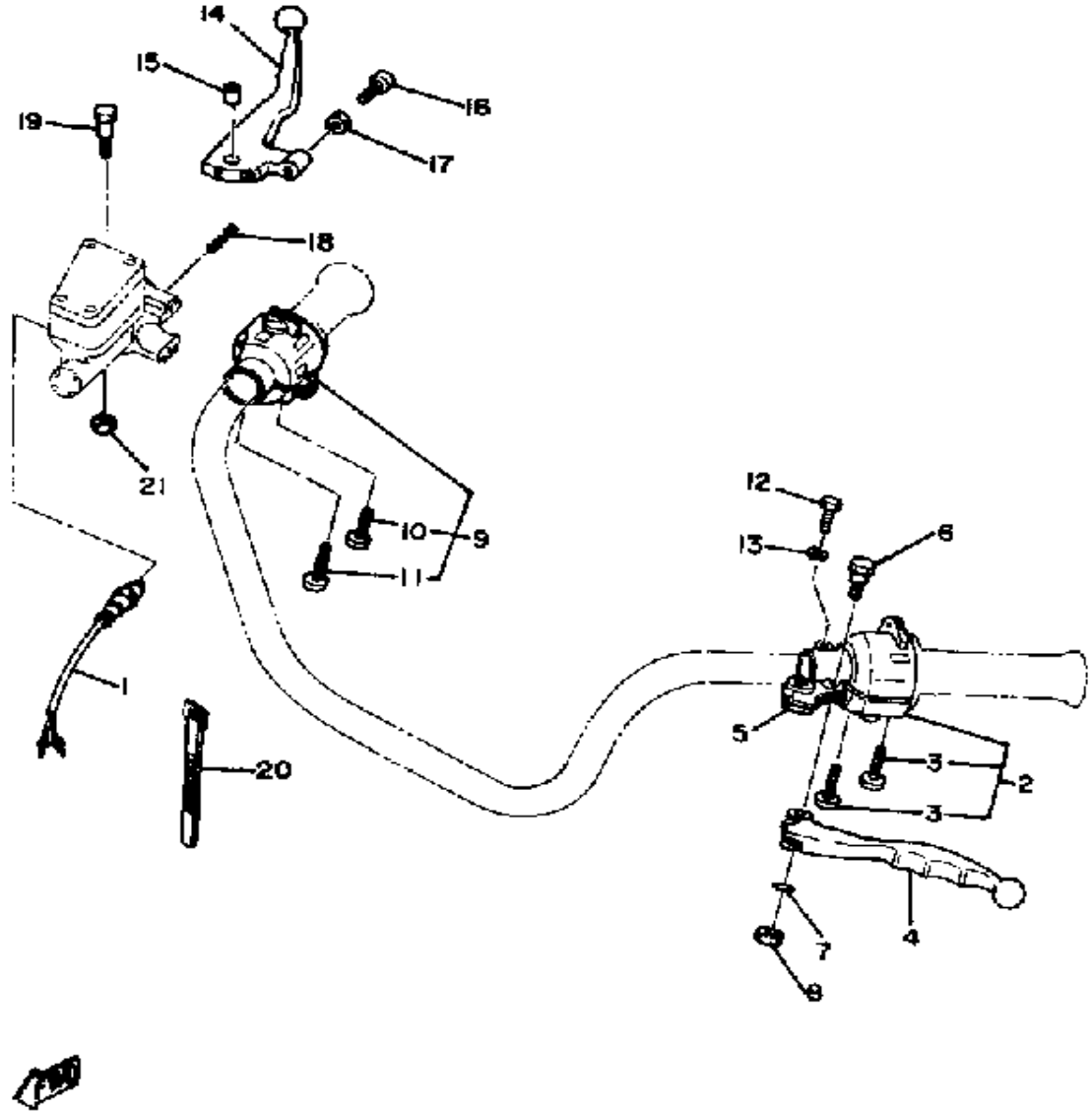
Ref. No.	Part Number	Description	Qty	Remarks
1	3H3-26111-00-00	HANDLEBAR	1	
2	2H7-26241-00-00	GRIP LH	1	
3	1T3-83973-00-00	SWITCH, HANDLE 3	1	
4	341-82911-00-00	HOLDER, LEVER 1	1	LOW GLOSS BK
5	2H0-83912-30-00	LEVER L	1	LOW GLOSS BK
6	2H7-83945-00-00	BOLT, LEVER	1	
7	93210-11368-00	O-RING	1	
8	97003-06022-00	BOLT, HEXAGON (97301-06022)	1	
9	92995-06100-00	WASHER, SPRING	1	
10	95601-06100-00	NUT, U	2	
11	1A8-83963-00-98	SWITCH, HANDLE 3	1	LOW GLOSS BL
	2L0-83975-01-98	SWITCH, HANDLE 2LR	1	
12	2H7-26240-00-00	GRIP ASSEMBLY RH	1	
13	90387-22660-00	COLLAR	1	
14	584-26393-02-00	HOLDER	1	
15	2M0-26311-01-00	CABLE, THROTTLE 1	1	
16	2M0-26335-00-00	CABLE, CLUTCH	1	
17	1E6-26342-00-00	BOOT, CABLE	1	
18	1E6-26372-00-00	COVER, HANDLE LEVER 1 ...	1	
19	90123-08046-00	BOLT	1	
20	90179-08148-00	NUT	1	
21	437-83936-01-00	BAND, SWITCH CORD	2	
	437-83936-01-00	BAND, SWITCH CORD	4	
22	2G2-26290-10-00	MIRROR ASSEMBLY LH	1	
23	2G2-26290-00-00	MIRROR ASSEMBLY RH	1	OPT. PART

HANDLEBAR-CABLE



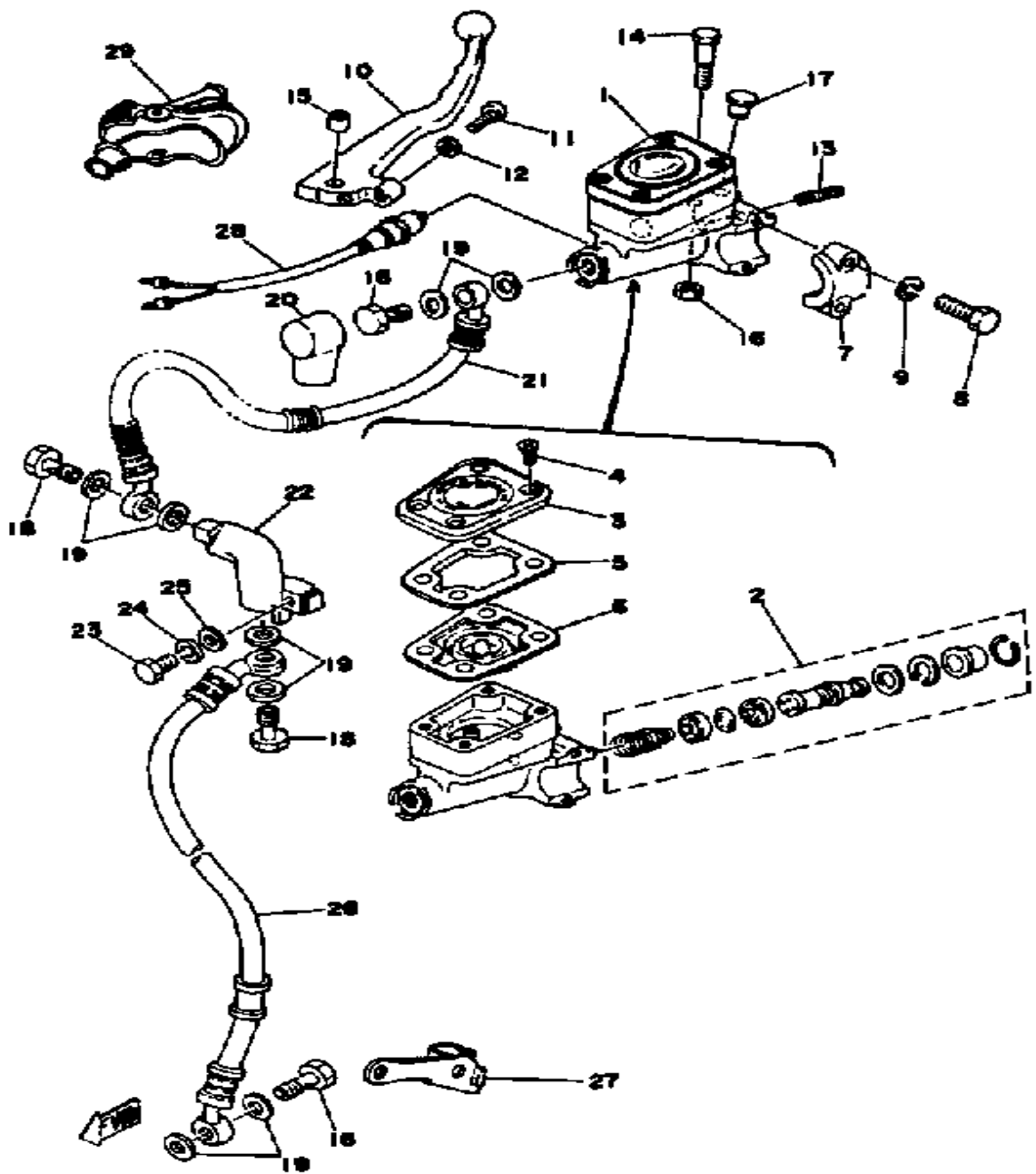
Ref. No.	Part Number	Description	Qty	Remarks
1	3H3-26111-00-00	HANDLEBAR	1	
2	2H7-26241-00-00	GRIP LH	1	
3	2H7-26240-00-00	GRIP ASSEMBLY RH	1	
4	90387-22660-00	COLLAR	1	
5	2M0-26311-01-00	CABLE, THROTTLE 1	1	
6	584-26393-02-00	HOLDER	1	
7	3L1-26335-00-00	CABLE, CLUTCH	1	
8	1E6-26342-00-00	BOOT, CABLE	1	
9	1E6-26372-00-00	COVER, HANDLE LEVER 1 ...	1	
10	1T5-26372-00-00	COVER, HANDLE LEVER 1 ...	1	
11	90179-08148-00	NUT	1	
12	90123-08046-00	BOLT	1	
13	2G2-26290-00-00	MIRROR ASSEMBLY RH	1	ALT. PART
	2G2-26290-10-00	MIRROR ASSEMBLY LH	1	

HANDLE SWITCH-LEVER



Ref. No.	Part Number	Description	Qty	Remarks
1	1A0-83980-30-00	FRONT STOP SWITCH ASSEMBLY	1	
2	1T3-83973-00-00	SWITCH, HANDLE 3	1	
3	98501-05030-00	. SCREW, PAN HEAD	2	
4	2H0-83912-30-00	LEVER L	1	
5	341-82911-00-00	HOLDER, LEVER 1	1	
6	2H7-83945-00-00	BOLT, LEVER	1	
7	93210-11368-00	O-RING	1	
8	95601-06100-00	NUT, U	1	
9	2L0-83975-01-98	SWITCH, HANDLE 2LR	1	LOW GLOSS BL
10	98501-05040-00	. SCREW, PAN HEAD (98502-05040)	1	
11	98501-05030-00	. SCREW, PAN HEAD	1	
12	97006-06022-00	BOLT	1	
13	92906-06100-00	WASHER, SPRING	1	
14	2H7-83922-20-00	LEVER R	1	
15	90386-08094-00	BUSH, SPEC'L NYLON	1	
16	90149-06131-00	SCREW	1	
17	90170-06010-00	NUT	1	
18	90501-10312-00	SPRING, COMPRESSION	1	
19	90109-06465-00	BOLT	1	
20	437-83936-01-00	BAND, SWITCH CORD	4	
21	95601-06100-00	NUT, U	1	

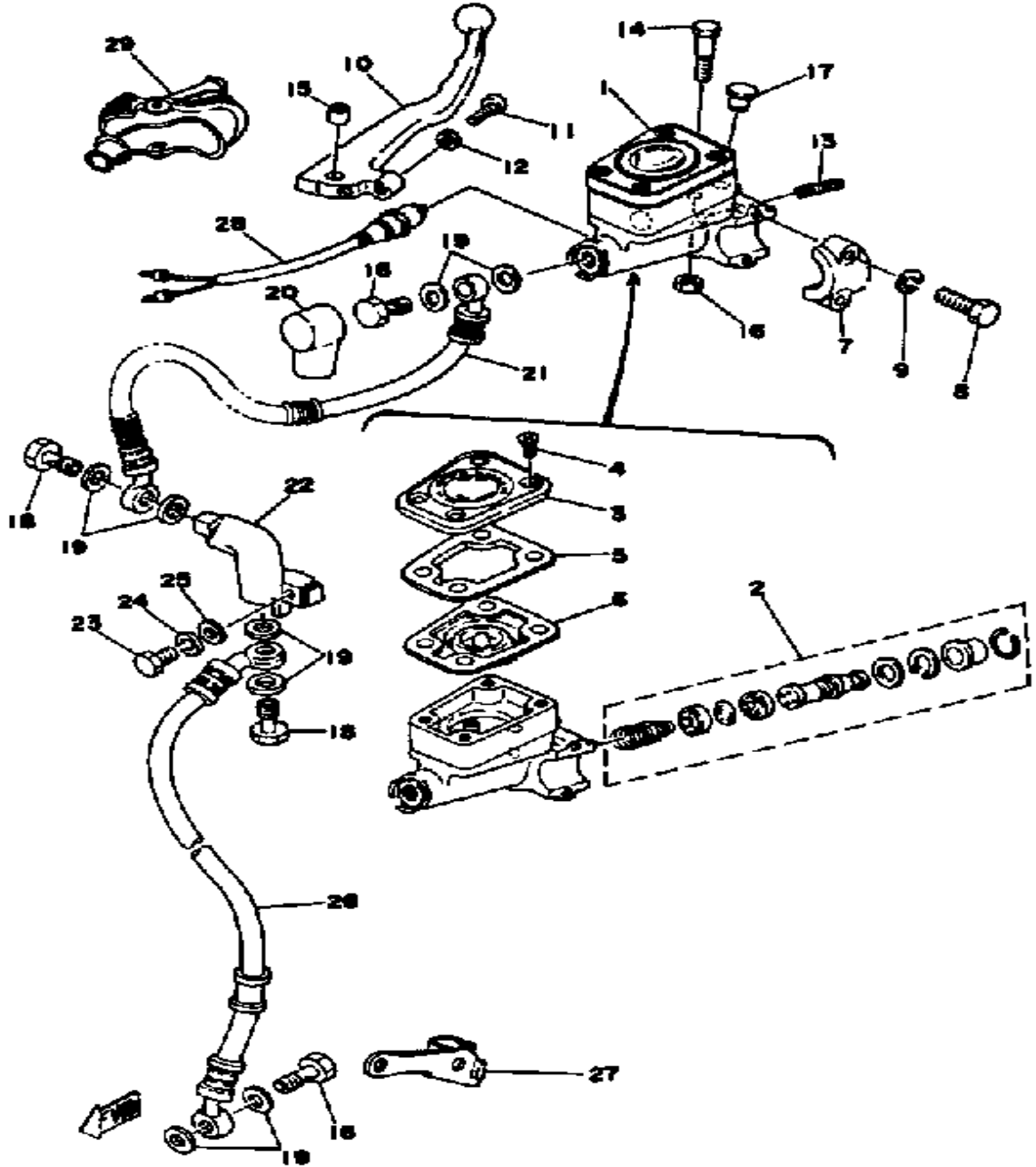
FRONT MASTER CYLINDER-BRAKE HOSE



Ref. No.	Part Number	Description	Qty	Remarks
1	2M0-25850-00-00	MSTR CYLINDER ASSEMBLY	1	NIISHIN
2	535-W0041-60-00	. CYLINDER KIT, MASTER	1	
3	1J3-25852-01-00	. CAP, RESERVOIR	1	
4	98706-05030-00	. SCREW, FLAT HEAD	4	
5	1J3-25855-01-00	. BUSH, DIAPHRAGM	1	
6	1J3-25854-01-00	. DIAPHRAGM RESERVOR	1	
7	1J3-25867-00-00	BRACKET, MASTER CYLINDER (341-25867-00)	1	
8	97313-06025-00	BOLT, HEXAGON	2	
9	92995-06100-00	WASHER, SPRING	2	
10	2H7-83922-20-00	LEVER R	1	
11	90149-06131-00	SCREW	1	
12	90170-06010-00	NUT	1	
13	90501-10312-00	SPRING, COMPRESSION	1	
14	90109-06465-00	BOLT	1	
15	90386-08094-00	BUSH, SPEC'L NYLON	1	
16	95601-06100-00	NUT, U	1	
17	90338-09012-00	PLUG (90338-09161-00)	1	
18	90401-10034-00	BOLT, UNION	4	
19	90201-10118-00	WASHER, PLATE	8	
20	306-25862-00-00	BOOT, MASTER CYLINDER	1	
21	2M0-25872-00-00	HOSE, BRAKE 1	1	
22	1J7-25885-01-00	JOINT	1	
23	97011-06025-00	BOLT (97001-06025)	1	
24	92995-06100-00	WASHER, SPRING	1	
25	92901-06600-00	WASHER, PLATE	1	
26	1T3-25873-00-00	HOSE, BRAKE 2	1	
27	1J3-25875-02-00	HOLDER, BRKE HOSE 1	1	
28	1A0-83980-30-00	FRONT STOP SWITCH ASSEMBLY	1	

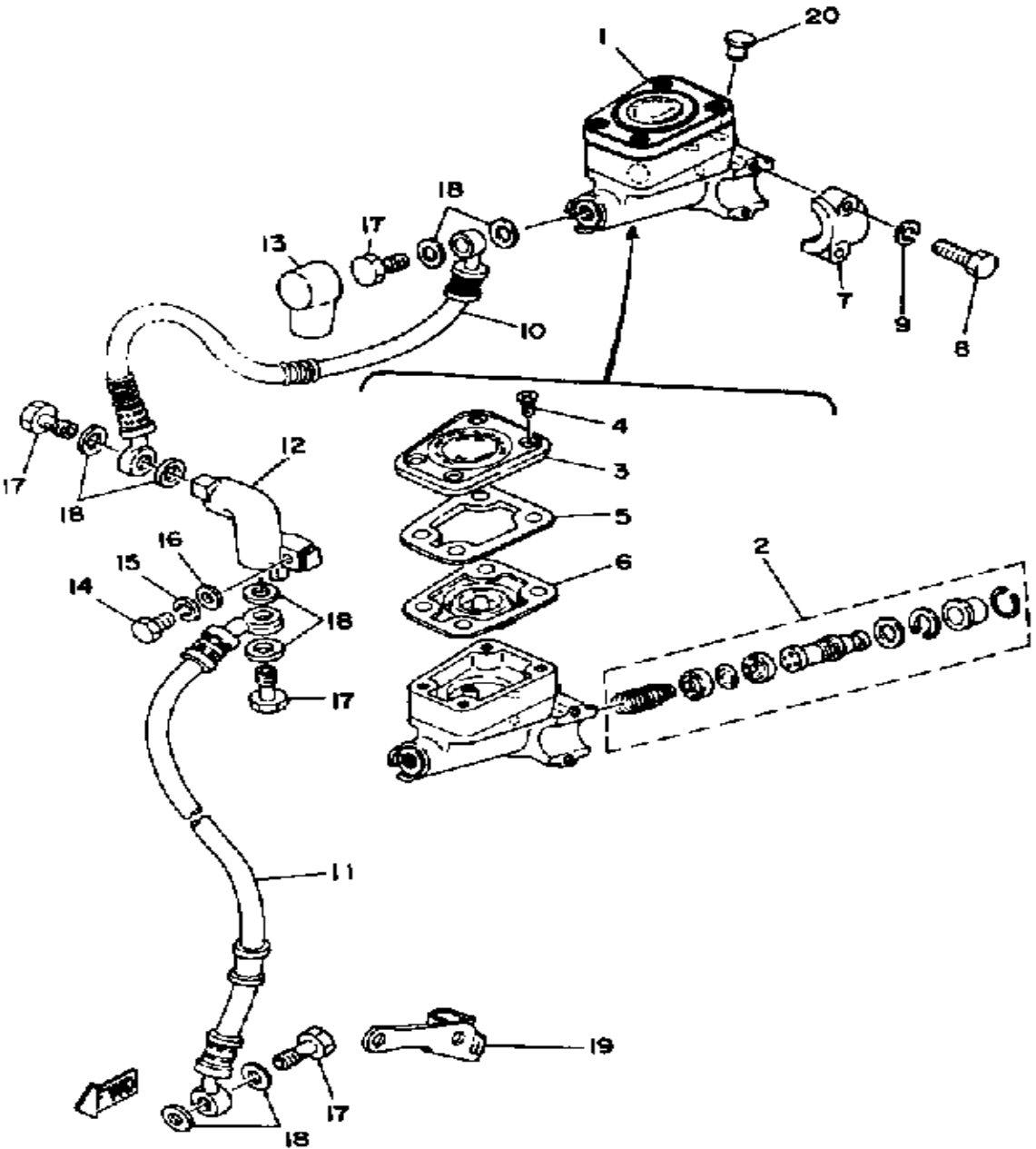
CONTINUED ON NEXT FRAME ➤

FRONT MASTER CYLINDER-BRAKE HOSE



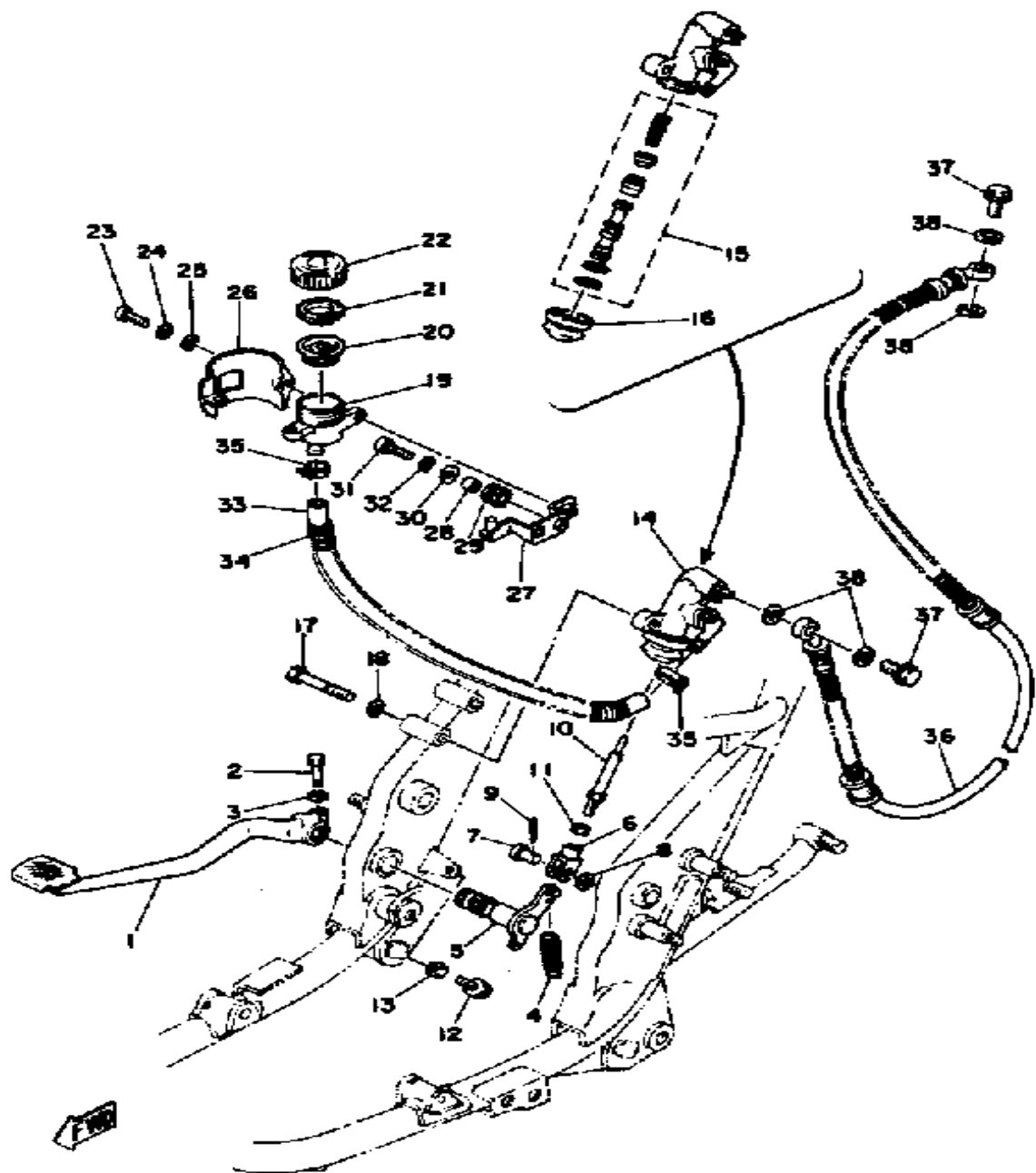
Ref. No.	Part Number	Description	Qty	Remarks
29	1T5-26372-00-00	COVER, HANDLE LEVER 1	...	1

FRONT MASTER CYLINDER



Ref. No.	Part Number	Description	Qty	Remarks
1	3G1-25850-00-00	MSTR CYLINDER ASSEMBLY	1	
2	535-W0041-60-00	. CYLINDER KIT, MASTER	1	
3	1J3-25852-01-00	. CAP, RESERVOIR	1	
4	98706-05030-00	. SCREW, FLAT HEAD	4	
5	1J3-25855-01-00	. BUSH, DIAPHRAGM	1	
6	1J3-25854-01-00	. DIAPHRAGM RESERVOR	1	
7	1J3-25867-00-00	BRACKET, MASTER CYLINDER (341-25867-00)	1	
8	97016-06025-00	BOLT	2	
9	92906-06100-00	WASHER, SPRING	2	
10	2M0-25872-00-00	HOSE, BRAKE 1	1	
11	1T3-25873-00-00	HOSE, BRAKE 2	1	
12	1J7-25885-01-00	JOINT	1	
13	306-25862-00-00	BOOT, MASTER CYLINDER	1	
14	97011-06025-00	BOLT (97001-06025)	1	
15	92995-06100-00	WASHER, SPRING	1	
16	92901-06600-00	WASHER, PLATE	1	
17	90401-10034-00	BOLT, UNION	4	
18	90201-10118-00	WASHER, PLATE	8	
19	1J3-25875-02-00	HOLDER, BRKE HOSE 1	1	
20	90338-09012-00	PLUG (90338-09161-00)	1	

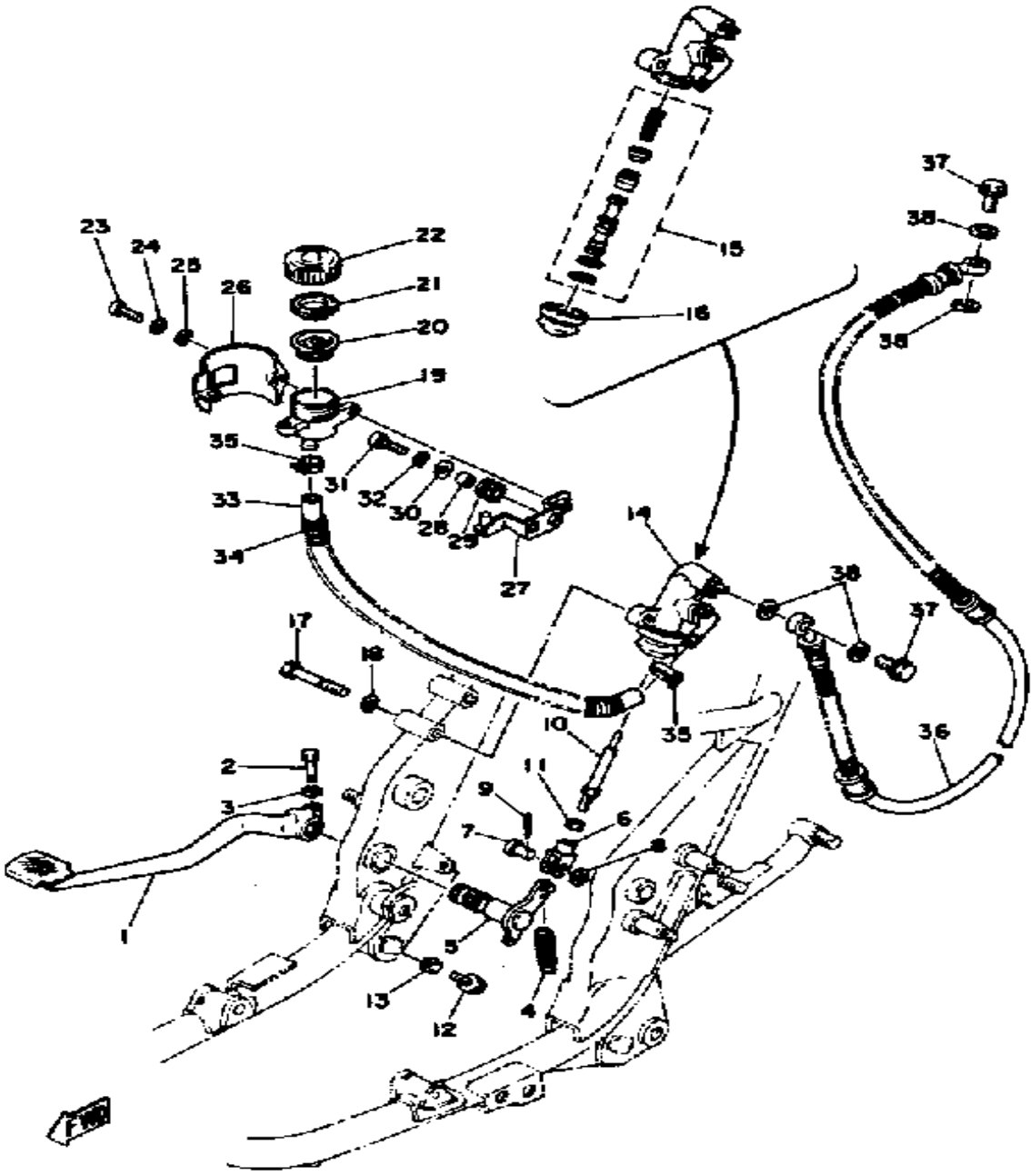
BRAKE PEDAL-REAR MASTER CYLINDER



Ref. No.	Part Number	Description	Qty	Remarks
1	533-27211-01-93	PEDAL, BRAKE	1	
2	90109-06468-00	BOLT	1	
3	92995-06100-00	WASHER, SPRING	1	
4	90506-26178-00	SPRING, TENSION	1	
5	(2M0-27212-00-00)	SHAFT, BRAKE PEDAL	1	
6	1A1-27222-01-00	JOINT	1	
7	90240-08013-00	PIN, CLEVIS	1	
8	90201-08083-00	WASHER, PLATE	1	
9	91490-16020-00	PIN, COTTER	1	
10	1J7-27231-00-00	ROD, BRAKE	1	
11	95303-08700-00	NUT	1	
12	90153-06008-00	SCREW, HEXAGON	1	
13	90170-06184-00	NUT	1	
14	2M0-25850-50-00	MSTR CYLINDER ASSEMBLY .	1	
15	1J3-W0042-50-00	. CYLINDER KIT, MASTER (1J3-20000-50)	1	
16	1J3-25862-50-00	. BOOT, MASTER CYLINDER ..	1	
17	97026-08055-00	BOLT	2	
	97321-08055-00	BOLT, HEXAGON	2	
18	92906-08100-00	WASHER, SPRING	2	
	92990-08100-00	WASHER, SPRING	2	
19	1A1-25894-01-00	TANK, RESERVOIR	1	
20	360-25854-00-00	DIAPHRAGM, RESERVOIR ...	1	
21	2GU-25855-00-00	BUSH, DIAPHRAGM	1	
22	2KF-25852-50-00	CAP, RESERVOIR	1	
23	98516-06020-00	SCREW, PAN HEAD	1	
	98580-06020-00	SCREW, PAN HEAD	1	
24	92906-06100-00	WASHER, SPRING	1	
	92995-06100-00	WASHER, SPRING	1	

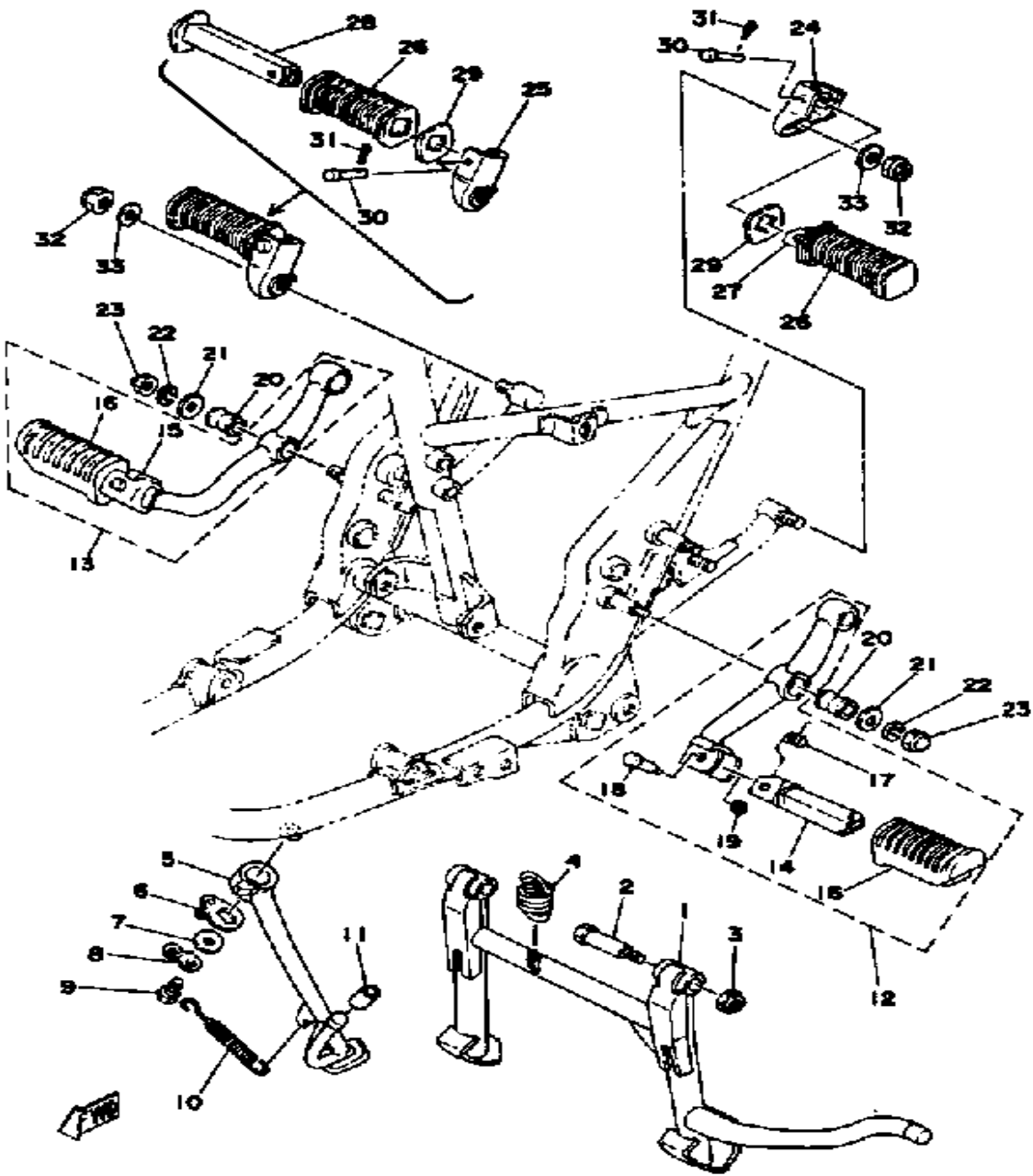
CONTINUED ON NEXT FRAME ►

BRAKE PEDAL-REAR MASTER CYLINDER



Ref. No.	Part Number	Description	Qty	Remarks
25	92906-06200-00	WASHER	1	
	92990-06200-00	WASHER, PLAIN	1	
26	(2M0-25888-00-00)	COVER, RESVR TANK	1	
27	(2M0-21798-00-00)	BRACKET, DAMPER	1	
28	90387-07390-00	COLLAR	2	
29	90480-14023-00	GROMMET	2	
30	90201-06067-00	WASHER, PLATE	2	
31	98511-06025-00	SCREW PAN HEAD	2	
32	92995-06100-00	WASHER, SPRING	2	
33	2M0-25895-00-00	HOSE, RESERVOIR	1	9-120L
34	(90501-10502-00)	SPRING, COMPRESSION	1	
35	90601-11525-00	CLAMP, HOSE	2	
36	2M0-25872-50-00	HOSE, BRAKE 1	1	
37	90401-10034-00	BOLT, UNION	2	
38	90201-10118-00	WASHER, PLATE	4	

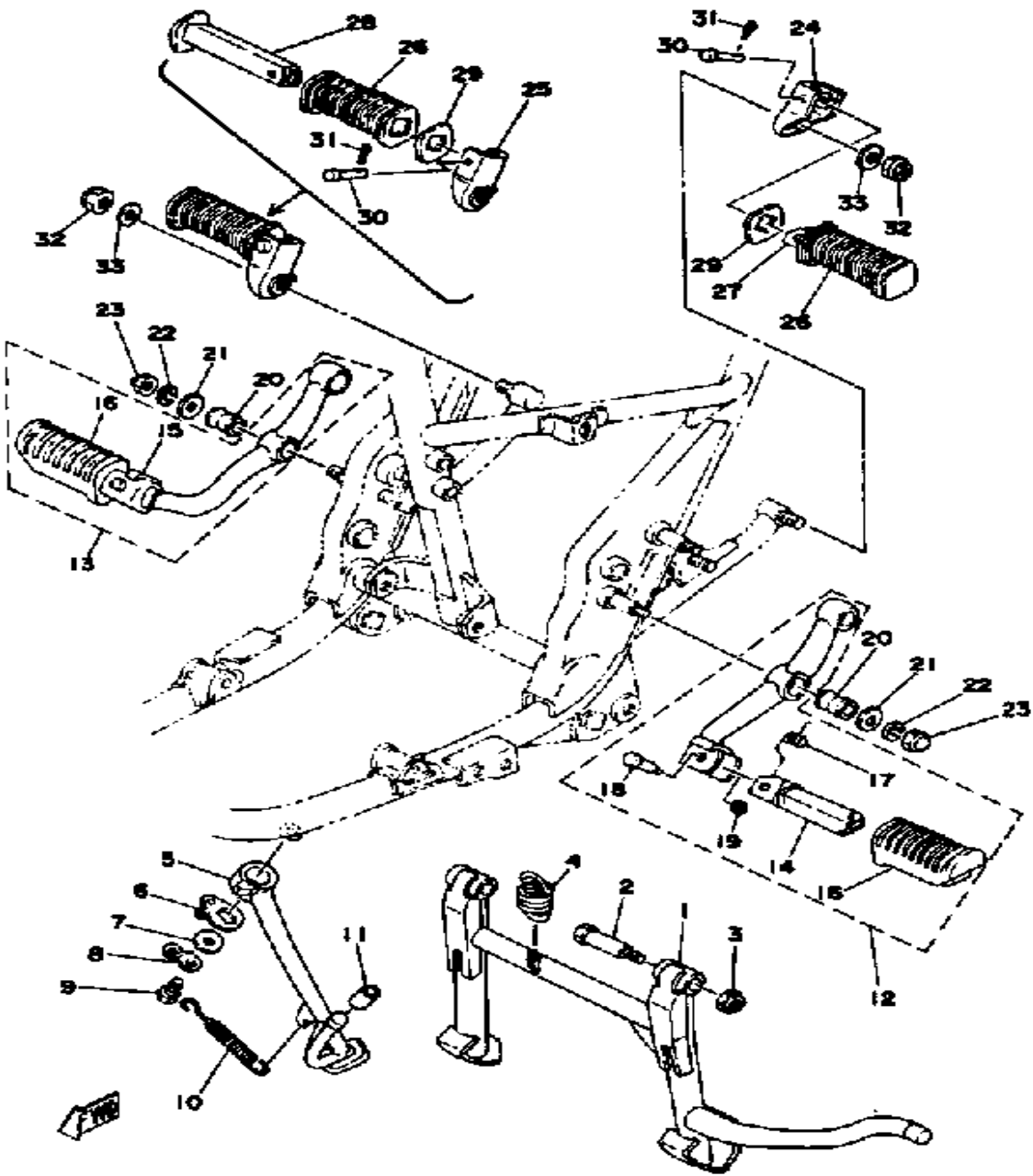
STAND-FOOTREST



Ref. No.	Part Number	Description	Qty	Remarks
1	1T3-27111-02-00	STAND, MAIN	1	
2	90109-10268-00	BOLT	2	
3	90185-10060-00	NUT, SELF-LOCKING	2	
4	90506-50064-00	SPRING, TENSION	1	
5	1T3-27311-00-00	STAND, SIDE	1	
6	36Y-27352-00-00	HOOK, SIDE STAND	1	
7	90201-085E6-00	WASHER PLATE	1	
8	36Y-27322-00-00	WASHER, SIDE STAND	1	
9	97313-08020-00	BOLT, HEXAGON	1	
10	90507-29009-00	SPRING, TENSION	1	
11	1T3-27314-00-00	STOPPER	1	
	278-27314-00-00	STOPPER	1	
12	1T3-27410-00-93	FRT FOOTREST ASSEMBLY L	1	
13	1T3-27420-00-93	FRT FOOTREST ASSEMBLY R	1	
14	3CK-27451-00-00	. FOOTREST	1	
15	3N6-27461-00-00	. FOOTREST	1	
16	4L0-27423-00-00	. COVER, FOOTREST	2	
17	90508-20023-00	. SPRING, TORSION	2	
18	90243-08006-00	. PIN	2	
19	90201-06042-00	. WASHER, PLATE	2	
20	256-27414-00-00	DAMPER, FOOTREST	4	
21	90201-10437-00	WASHER, PLATE	4	
22	92990-10100-00	WASHER, SPRING	4	
23	90176-10013-00	NUT, CROWN	4	
24	3G1-27432-00-00	BRACKET 1	1	
25	361-27442-00-00	UNAVAILABLE IN PRICE BOOK	1	
	3G1-27442-00-00	BRACKET 2	1	
26	447-27433-00-00	COVER, RR FOOTREST	2	
27	447-27431-00-00	FOOTREST, REAR 1	1	

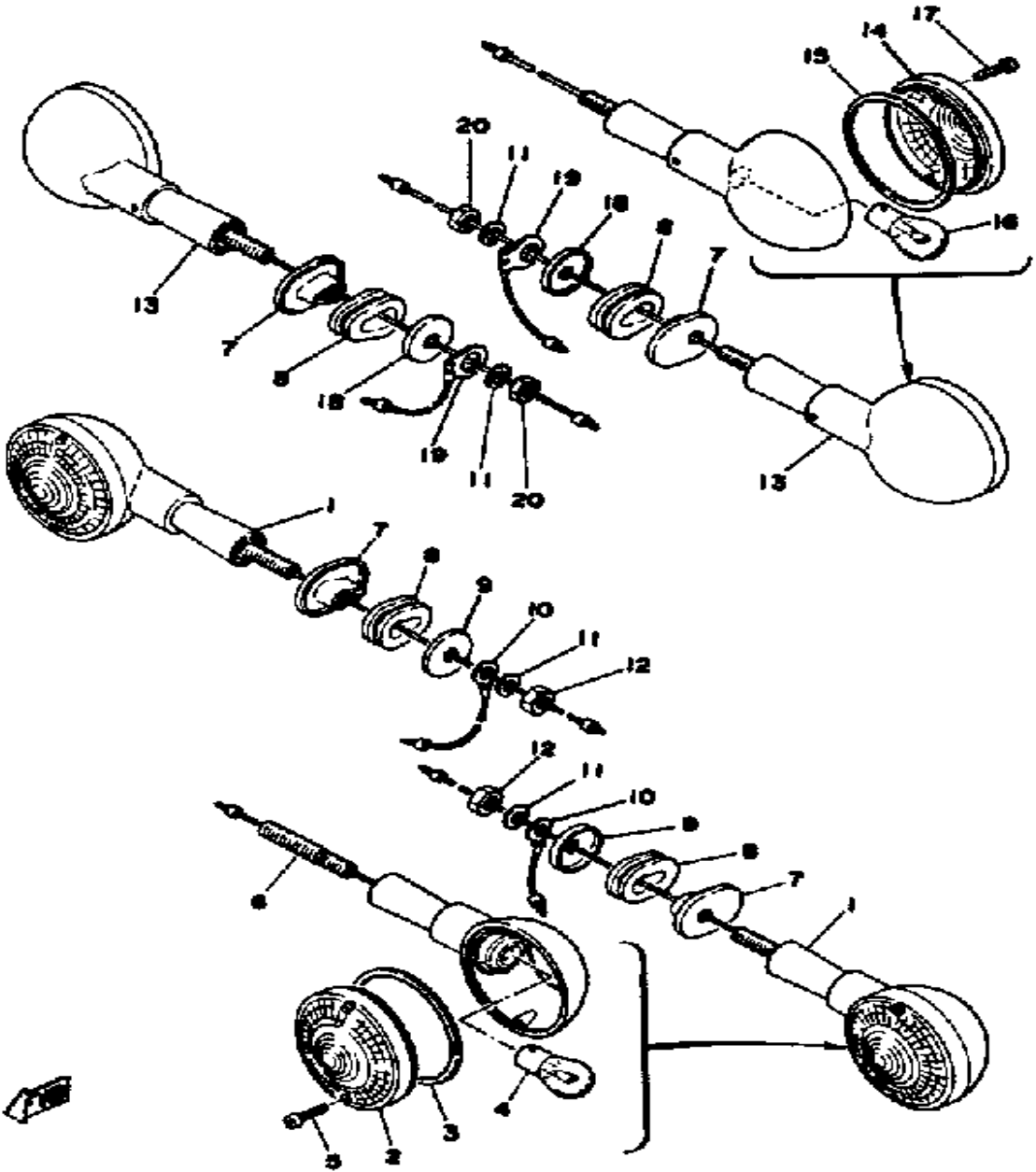
CONTINUED ON NEXT FRAME ►

STAND-FOOTREST



Ref. No.	Part Number	Description	Qty	Remarks
28	447-27441-00-00	FOOTREST, REAR 2	1	
29	90209-18070-00	WASHER, SPECL SHAP	2	
30	91701-06035-00	PIN, CLEVIS	2	SE -114240
	91701-06035-00	PIN, CLEVIS	2	SE 114241-
31	91490-16020-00	PIN, COTTER	2	
32	95303-12800-00	NUT (CROWN)	2	
33	92901-12100-00	WASHER, SPRING	2	

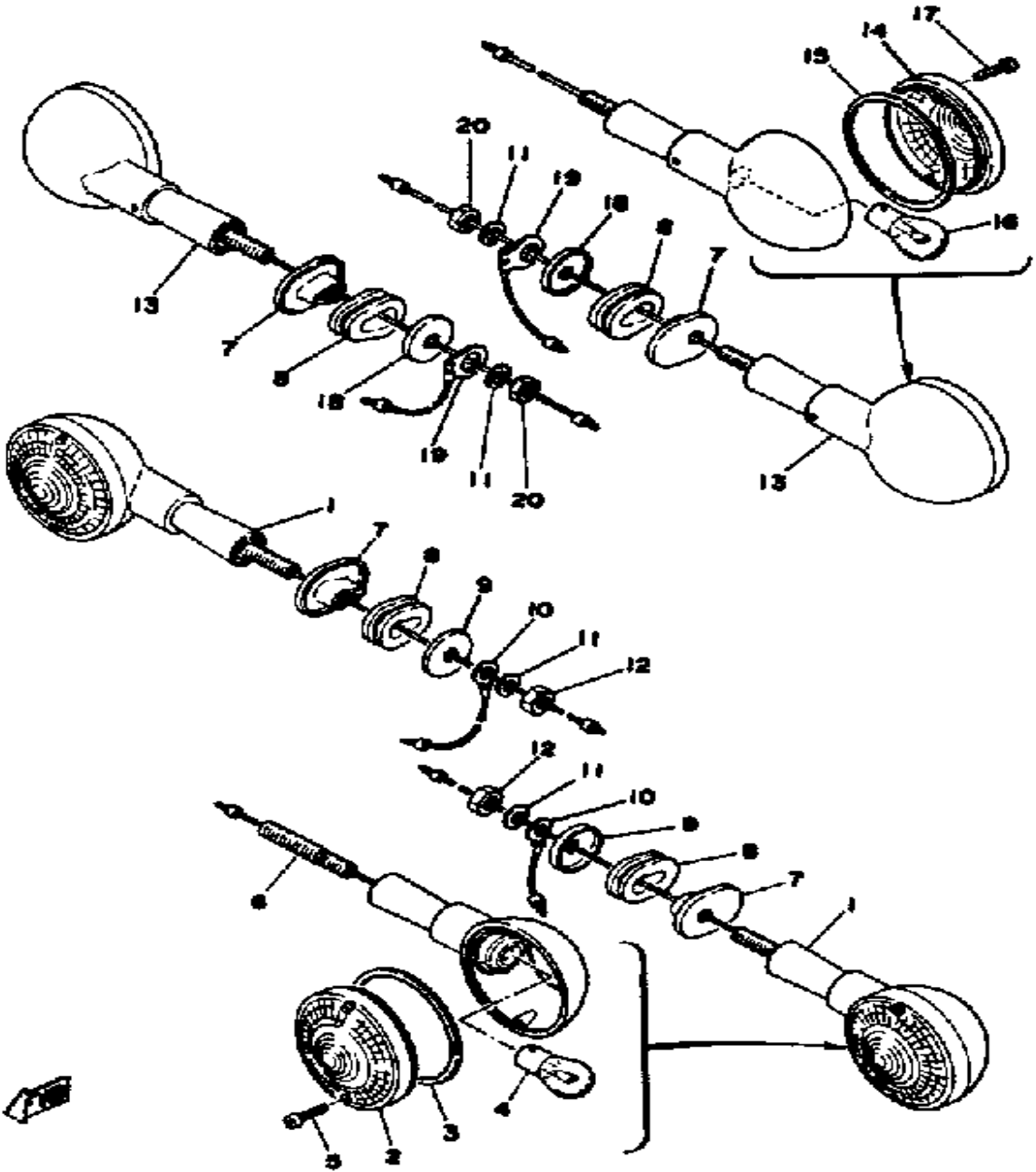
FLASHER LIGHT



Ref. No.	Part Number	Description	Qty	Remarks
1	341-83310-72-93	FRT FLSHR LITE ASSEMBLY	2	
2	341-83312-70-00	. LENS, FLASHER	1	
	341-83312-70-00	. LENS, FLASHER	2	
3	3Y6-83313-00-00	. GASKET, FLSHR LENS	1	
	3Y6-83313-00-00	. GASKET, FLSHR LENS	2	
4	256-83311-70-XX	. BULB (12V-27W) (256-83311-70-00)	1	
	256-83311-70-XX	. BULB (12V-27W) (256-83311-70-00)	2	
5	341-83333-70-00	. SCREW, LENS FITTING	2	
	341-83333-70-00	. SCREW, LENS FITTING	4	
6	341-83367-09-00	. BOLT, STUD	1	
	341-83367-09-00	. BOLT, STUD	2	
7	366-83316-00-00	COLLAR, FLASHER 1	4	
8	256-83321-00-00	DAMPER, FLASHER 1	4	
9	90209-08098-00	WASHER, SPEC'L SHAP	2	
10	256-84313-01-00	WIRE, EARTH	2	
11	92990-08100-00	WASHER, SPRING	4	
12	95303-08700-00	NUT	2	
	95333-08600-00	NUT	2	
13	1E5-83330-20-93	R FLSHR LITE ASSEMBLY	2	
14	341-83312-70-00	. LENS, FLASHER	1	
	341-83312-70-00	. LENS, FLASHER	2	
15	3Y6-83313-00-00	. GASKET, FLSHR LENS	1	
	3Y6-83313-00-00	. GASKET, FLSHR LENS	2	
16	256-83311-70-XX	. BULB (12V-27W) (256-83311-70-00)	1	
	256-83311-70-XX	. BULB (12V-27W) (256-83311-70-00)	2	
17	341-83333-70-00	. SCREW, LENS FITTING	2	

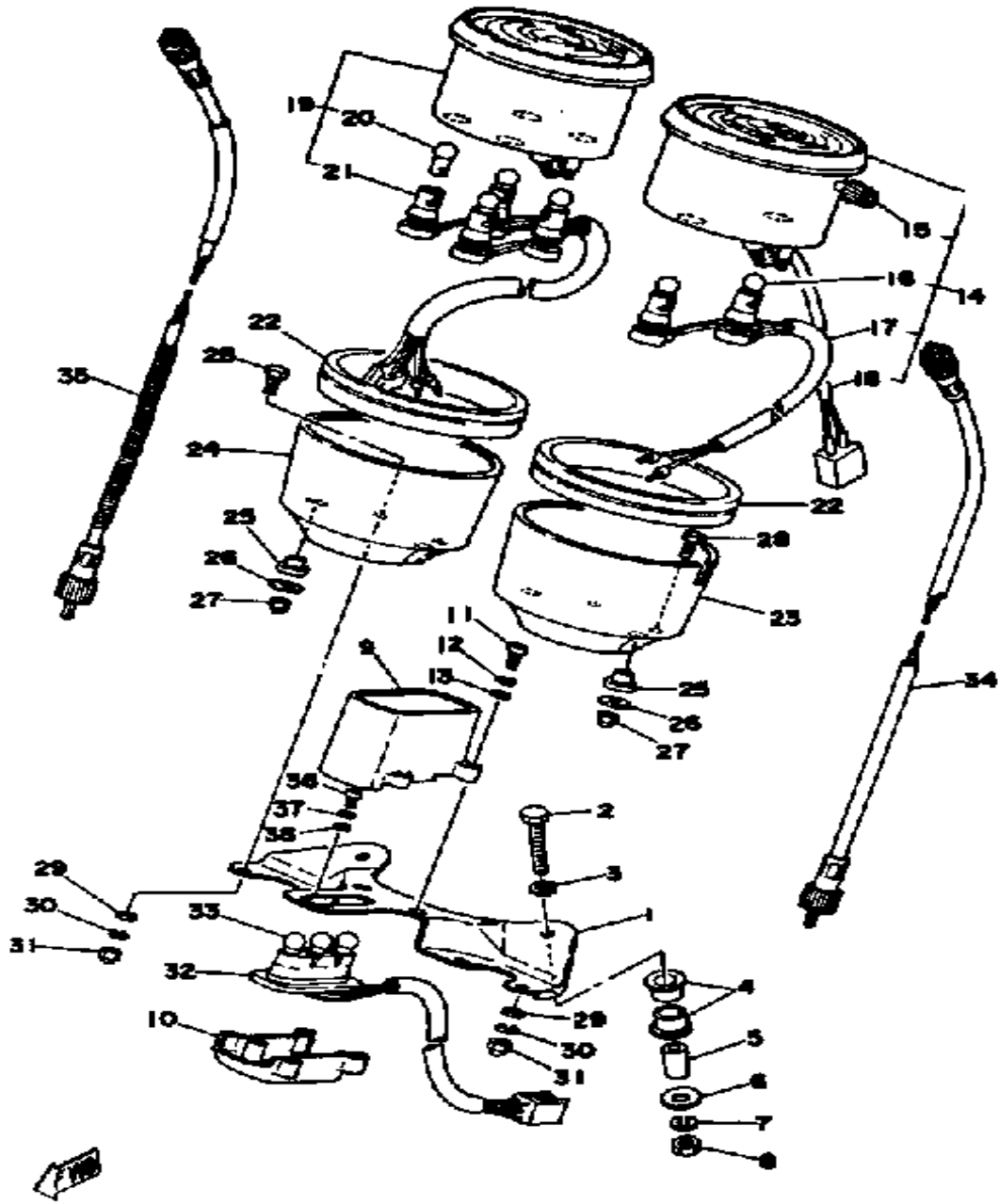
CONTINUED ON NEXT FRAME ►

FLASHER LIGHT



Ref. No.	Part Number	Description	Qty	Remarks
17	341-83333-70-00	. SCREW, LENS FITTING	4	
18	90209-08028-00	WASHER, SPEC'L SHAP	2	
19	447-83336-01-00	CORD	2	
20	95333-08600-00	NUT	2	

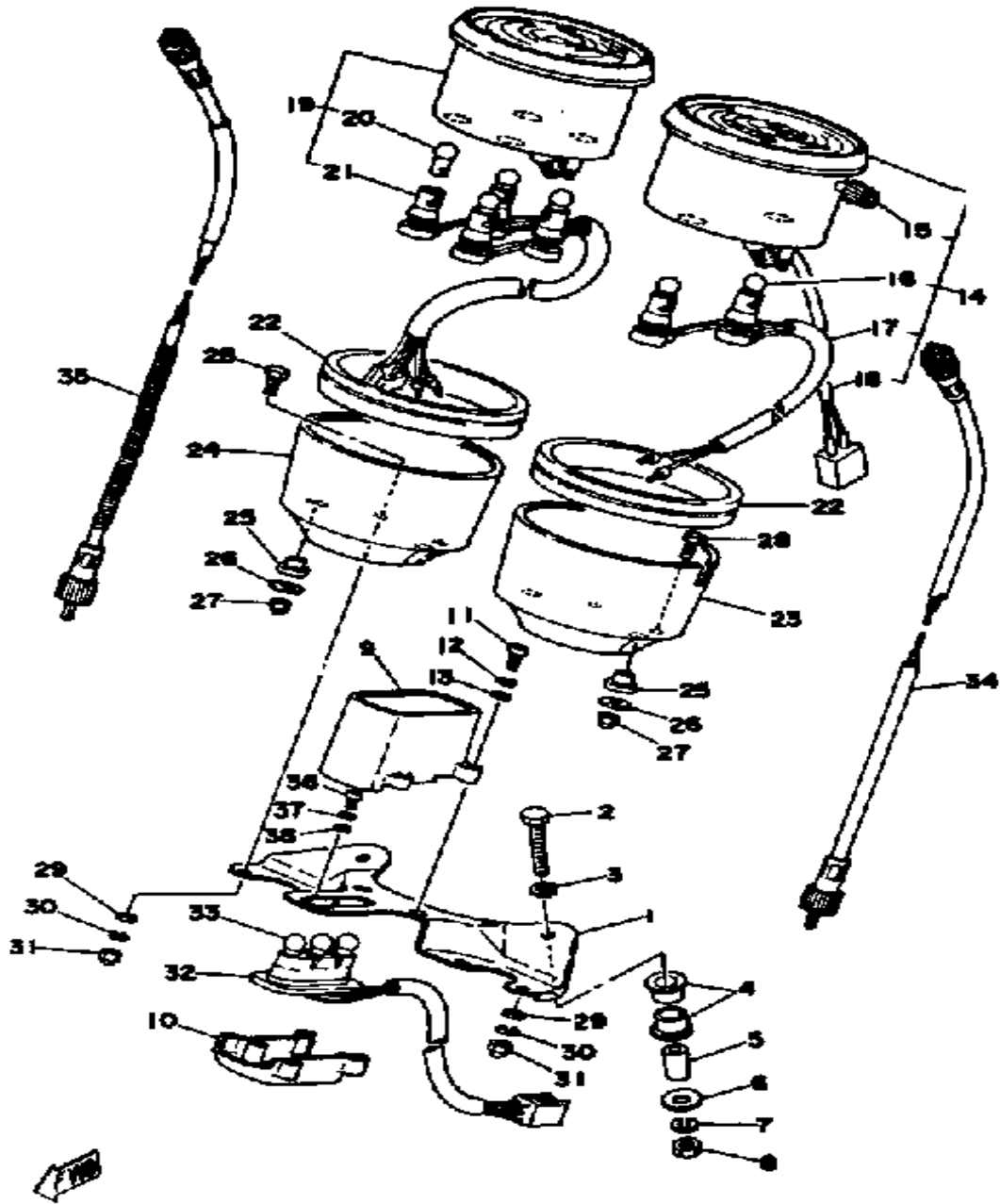
SPEEDOMETER-TACHOMETER



Ref. No.	Part Number	Description	Qty	Remarks
1	2M0-83519-00-00	BRACKET, METER	1	
2	97006-06040-00	BOLT	2	
3	92906-06600-00	WASHER, PLATE	2	
4	584-83541-00-00	DAMPER	4	
5	90387-06249-00	COLLAR	2	
6	90201-06067-00	WASHER, PLATE	2	
7	92995-06100-00	WASHER, SPRING	2	
8	95380-06600-00	NUT, HEXAGON	2	
9	2M0-83568-00-00	PILOT BOX, UPPER	1	
	3G1-83568-A0-00	PILOT BOX, UPPER	1	
10	2G2-83569-A0-00	PILOT BOX, LOWER	1	
11	98506-04012-00	SCREW, PAN HEAD	4	
12	92906-04100-00	WASHER, SPRING	4	
13	92906-04600-00	WASHER, PLATE	4	
14	2J2-83570-A0-00	SPEEDOMETER ASSEMBLY ..	1	
	5H1-83570-A0-00	SPEEDOMETER ASSEMBLY ..	1	
15	584-83578-71-00	. KNOB, TRIP METER	1	
16	123-83516-21-00	. BULB (12V-3.4W)	2	
17	(3J6-83536-00-00)	SOCKET, METER	1	
	(584-83536-01-00)	SOCKET, METER	1	
18	1J3-83556-01-00	. SENDER	1	
	2H7-83556-00-00	. SENDER	1	
19	3G0-83540-A0-00	TACHOMETER ASSEMBLY ...	1	
	3X4-83540-00-00	TACHOMETER ASSEMBLY ...	1	
20	123-83516-21-00	. BULB (12V-3.4W)	3	
	123-83516-21-00	. BULB (12V-3.4W)	4	
21	(2G2-83520-00-00)	SOCKET CORD ASSEMBLY ..	1	
	(3J3-83520-01-00)	SOCKET CORD ASSEMBLY ..	1	
22	3H3-83513-00-00	DAMPER	2	

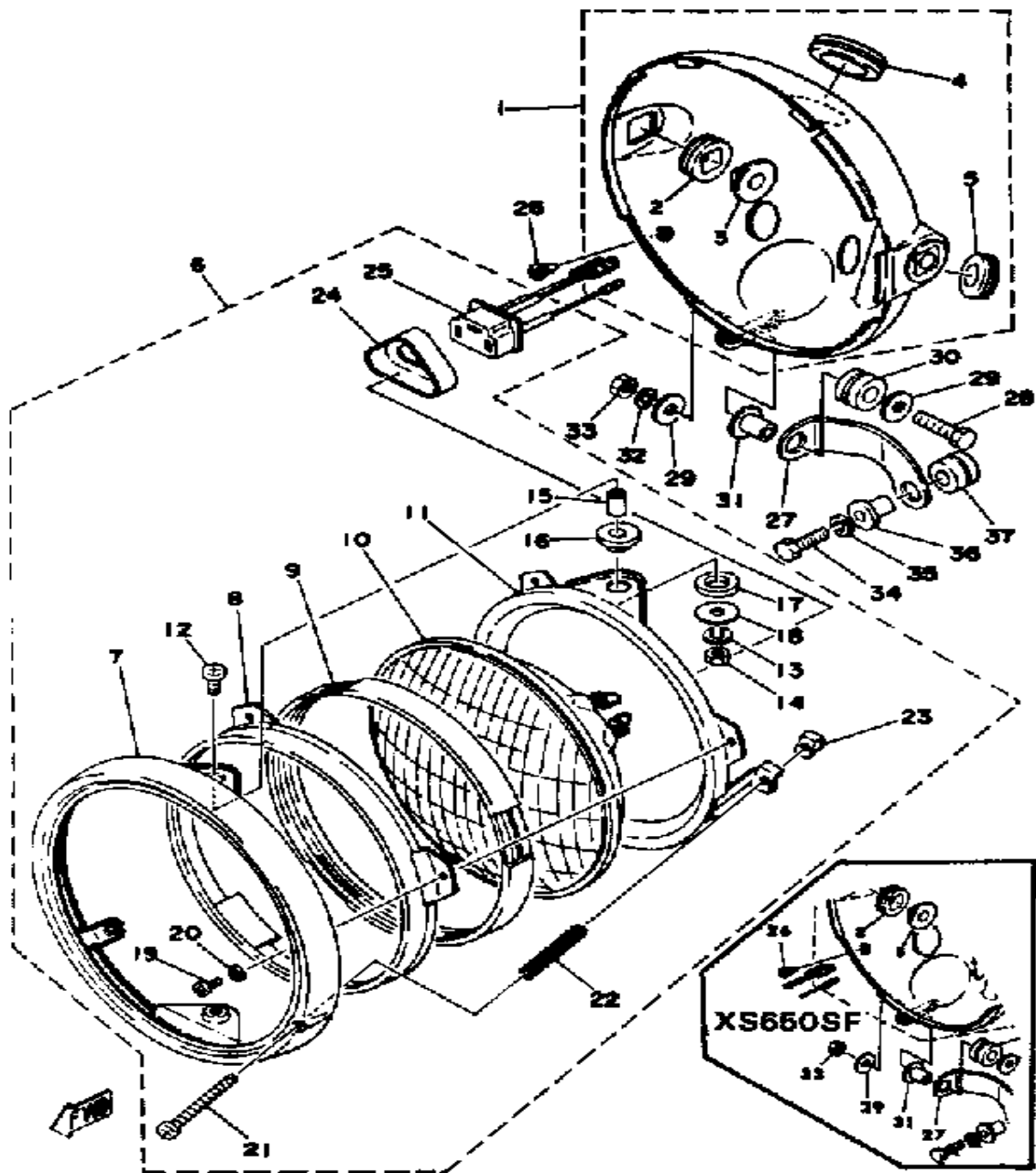
CONTINUED ON NEXT FRAME ➤

SPEEDOMETER-TACHOMETER



Ref. No.	Part Number	Description	Qty	Remarks
23	2J2-83507-00-00	COVER, SPEEDOMETER	1	
24	2J2-83508-00-00	COVER, TACHOMETER	1	
25	584-83523-01-00	UNAVAILABLE IN PRICE BOOK	4	
26	90201-05031-00	WASHER, PLATE	4	
27	95303-05800-00	NUT (CROWN)	4	
28	584-83546-00-00	BOLT	4	
29	92990-06200-00	WASHER, PLAIN	4	
30	92995-06100-00	WASHER, SPRING	4	
31	95303-06800-00	NUT (CROWN)	4	
32	3G1-83509-00-00	SOCKET CORD ASSEMBLY ..	1	
33	123-83516-21-00	BULB (12V-3.4W)	3	
34	341-83440-01-00	UNAVAILABLE IN PRICE BOOK (341-83550-00)	1	
35	447-83560-01-00	TACHOMETER CABLE	1	
36	(92503-04008-00)	SCREW, PAN HEAD	1	
37	92901-04100-00	WASHER, SPRING	1	
38	92901-04600-00	WASHER, PLATE	1	

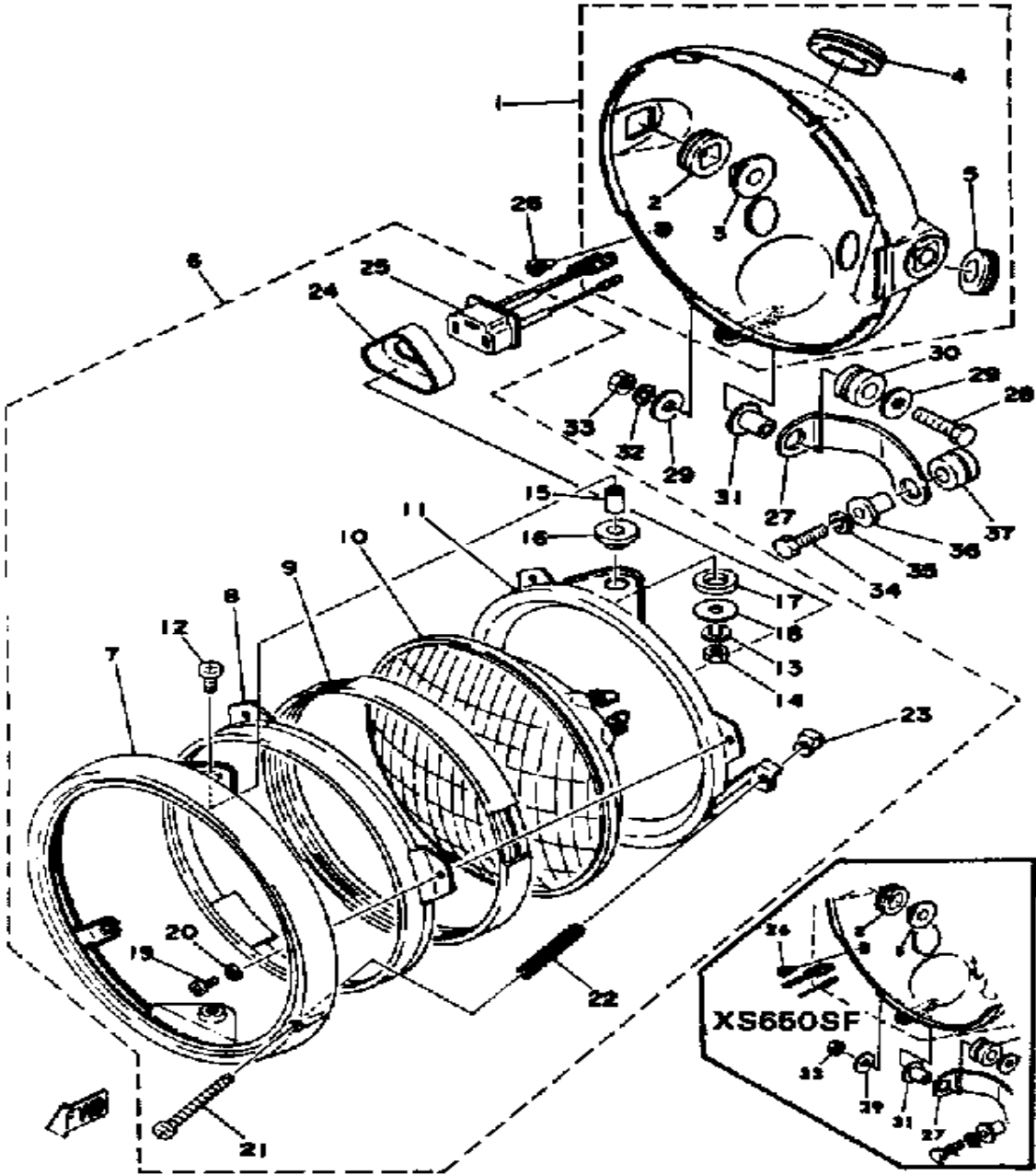
HEADLIGHT



Ref. No.	Part Number	Description	Qty	Remarks
1	584-84330-61-93	BODY ASSEMBLY	1	
2	584-84345-60-00	. DAMPER, HEADLIGHT	2	
3	584-84338-60-00	. COLLAR, BODY FTNG	2	
4	214-84153-60-00	. GROMMET, WIREHERNESS	1	
5	150-84153-00-00	. GROMMET, WRHRNES	2	SE -114240
6	584-84310-61-00	HEADLIGHT UNIT ASSEMBLY	1	
7	341-84315-40-00	. RIM, HEADLIGHT	1	
8	447-84395-60-00	. RING, RETAINING	1	
9	447-84322-60-00	. GASKET, LENS	1	
10	341-84320-60-00	. LENS ASSEMBLY	1	
11	447-84394-69-00	. RING, MOUNTING	1	
12	98511-05020-00	. SCREW, PAN HEAD	2	
13	92990-05100-00	. WASHER, SPRING	2	
14	95380-05600-00	. NUT	2	
15	584-84392-60-00	. COLLAR 1	2	
16	584-84393-60-00	. DAMPER	2	
17	584-84399-60-00	. DAMPER, MNTNG RNG 1	1	
	584-84399-60-00	. DAMPER, MNTNG RNG 1	2	
18	90201-05032-00	. WASHER, PLATE	2	
19	98580-04008-00	. SCREW, PAN HEAD	3	
20	92901-04100-00	. WASHER, SPRING	3	
21	447-84331-61-00	. SCREW, RIM ADJUSTING	1	
22	447-84332-60-00	. SPRING, SCREW	1	
23	198-84334-60-00	. NUT, ADJUSTING	1	
24	341-84397-61-00	. COVER, SOCKET	1	
25	371-84312-60-00	. SOCKET	1	
26	90152-05005-00	SCREW, COUNTERSUNK	2	
27	2M0-84318-00-00	STAY, HEADLIGHT 1	1	
28	97021-06030-00	BOLT	1	

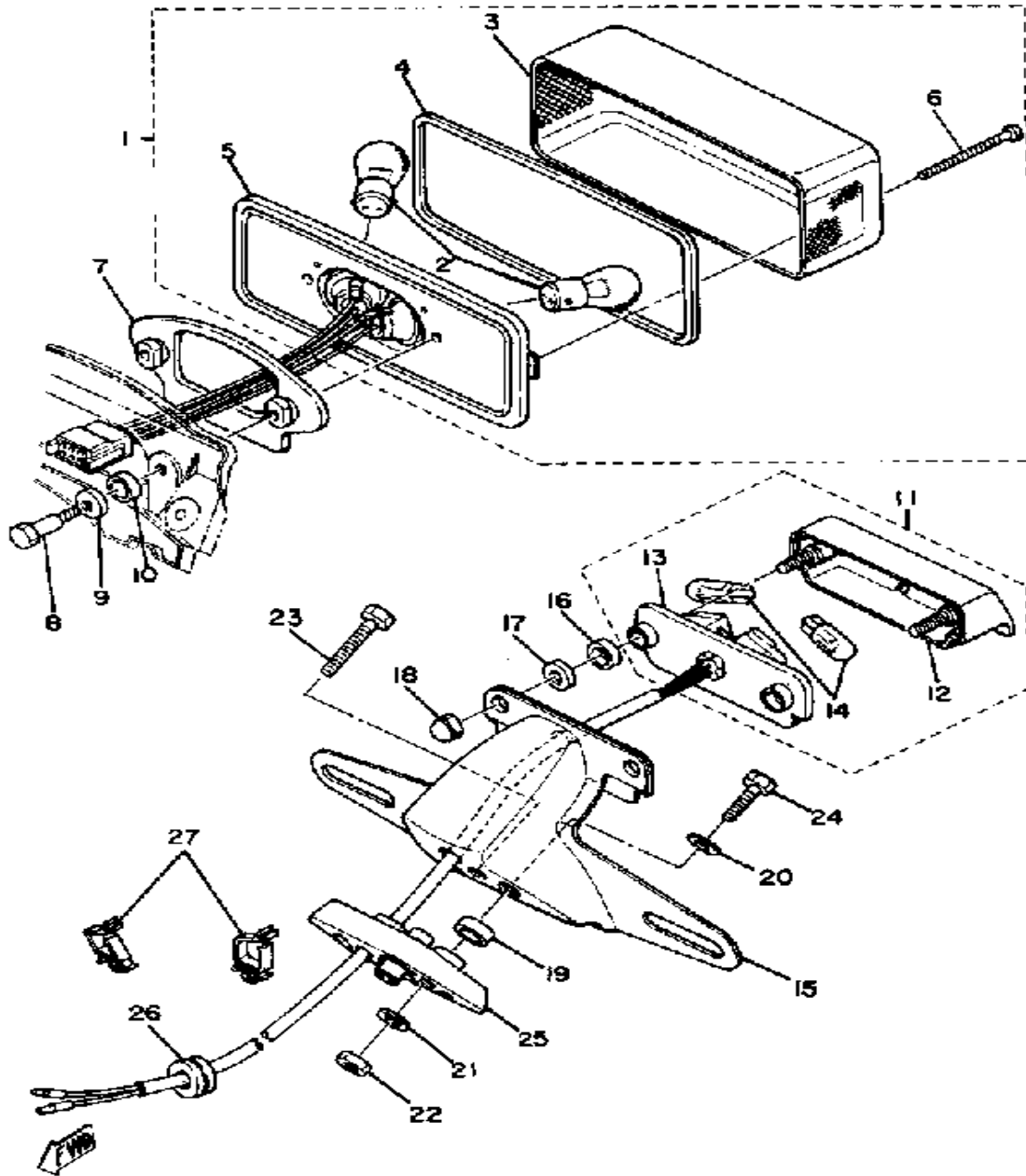
CONTINUED ON NEXT FRAME ➤

HEADLIGHT



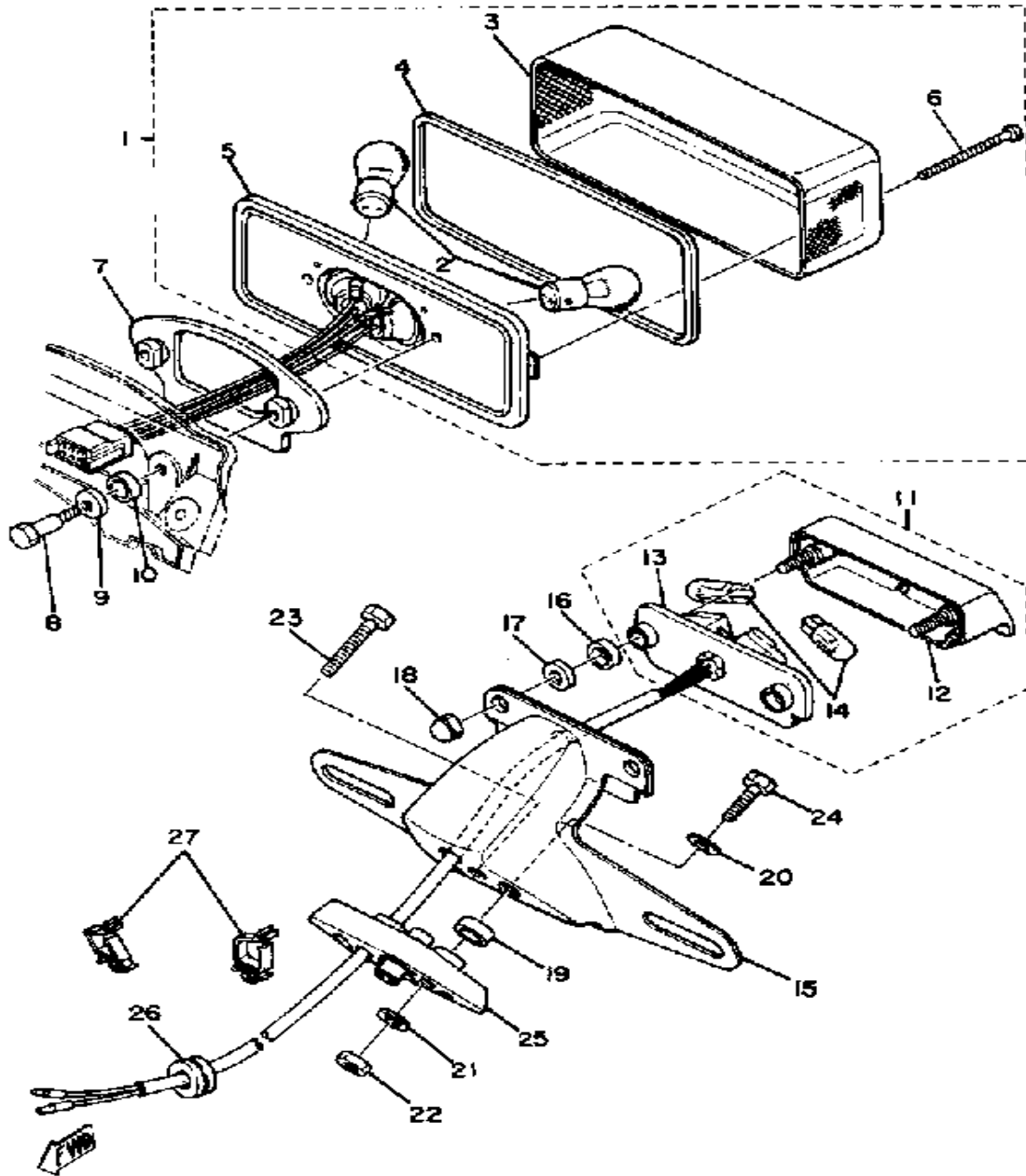
Ref. No.	Part Number	Description	Qty	Remarks
28	97313-06030-00	BOLT, HEXAGON	1	
29	(92901-06067-00)	WASHER	2	
	90201-06067-00	WASHER, PLATE	2	
30	90480-14023-00	GROMMET	1	
31	90387-06388-00	COLLAR	1	
32	92995-06100-00	WASHER, SPRING	1	SE -114240
33	95380-06600-00	NUT, HEXAGON	1	
34	97011-06025-00	BOLT (97001-06025)	1	
	97313-06025-00	BOLT, HEXAGON	1	
35	92995-06100-00	WASHER, SPRING	1	
36	90387-07549-00	COLLAR	1	
37	90480-14244-00	GROMMET	1	

TAILLIGHT



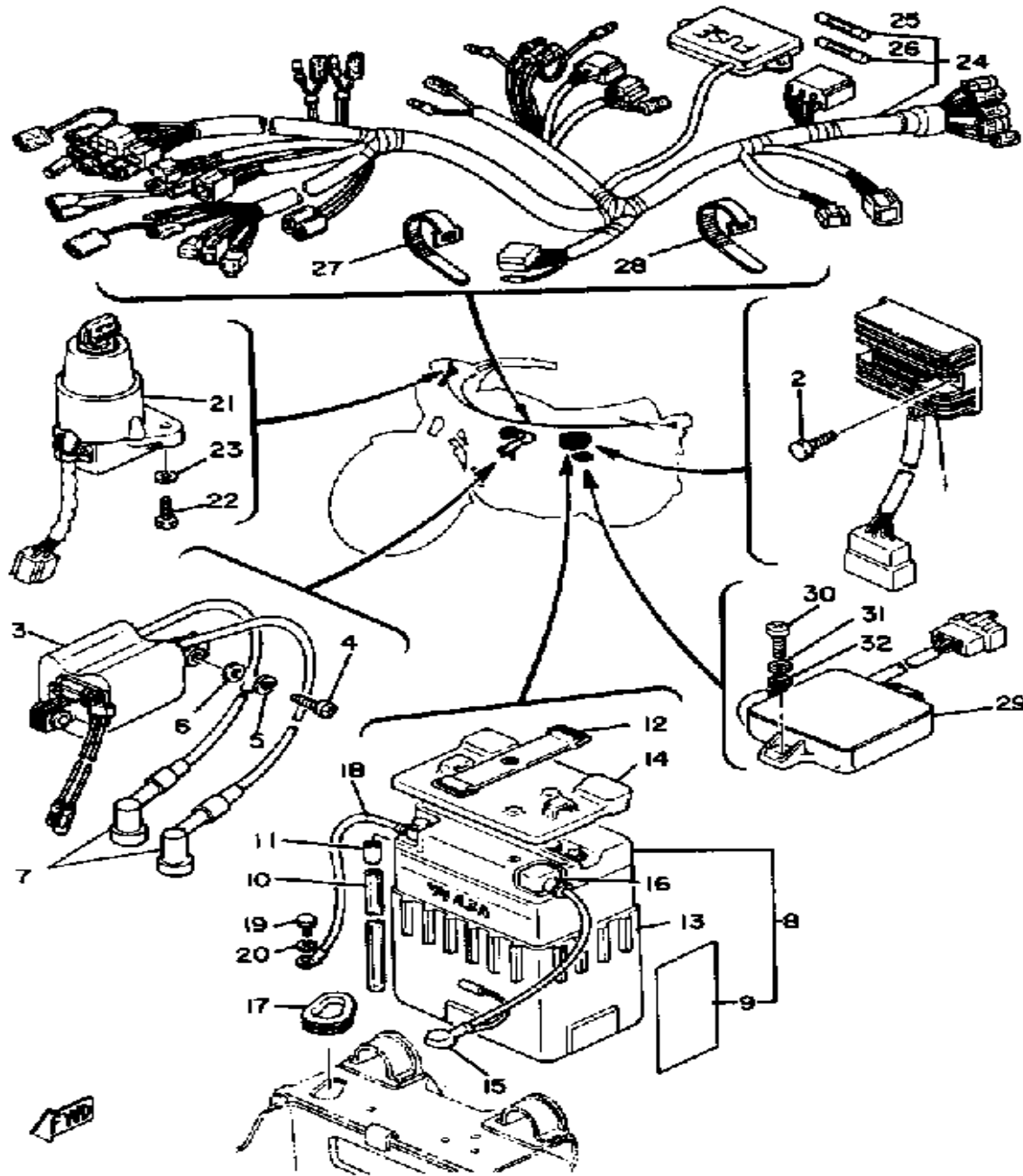
Ref. No.	Part Number	Description	Qty	Remarks
1	1W9-84710-60-00	TAILLIGHT UNIT ASSEMBLY ..	1	
2	2J2-84711-60-00	. BASE, TAILLIGHT	1	
3	256-84714-61-00	. BULB (12V-27/8W)	1	
4	1M1-84523-60-00	. GASKET, LENS	1	
5	1M1-84521-60-00	. LENS, TAILLIGHT	1	
6	1M1-84524-60-00	. SCREW, LENS FITTING	2	
7	1M1-84512-60-00	SEAT, BASE	1	
8	2J2-84751-00-93	BRACKET, LICENSE	1	
9	1M1-84526-60-00	SCREW	2	
10	2H7-84754-00-00	WASHER, SPECIAL	2	
11	1M1-84527-60-00	DAMPER	2	
12	449-85131-02-00	REFLECTOR, REAR 1	2	
13	92990-05100-00	WASHER, SPRING	2	
14	95380-05600-00	NUT	2	
15	2M0-84753-00-00	DAMPER	1	
16	90109-06022-00	BOLT (338-84552-00)	4	
17	92990-08200-00	WASHER, PLAIN	4	
18	95380-06600-00	NUT, HEXAGON	4	
19	92995-06100-00	WASHER, SPRING	4	
20	438-84517-00-00	CORD, TAILLIGHT	1	
21	90480-15061-00	GROMMET	2	

TAILLIGHT



Ref. No.	Part Number	Description	Qty	Remarks
1	3G1-84710-60-00	TAILLIGHT UNIT ASSEMBLY ..	1	
2	256-84714-61-00	. BULB (12V-27/8W)	2	
3	1A8-84721-61-00	. LENS, TAILLIGHT	1	
4	1A0-84723-60-00	. GASKET, TAIL LENS	1	
5	3G1-84710-60-00	. TAILLIGHT UNIT ASSEMBLY .	1	
6	98580-04055-00	. SCREW, LENS FITTING	2	
7	3G1-84712-00-00	SEAT, BASE	1	
8	90109-06548-00	BOLT	2	
9	2H7-84754-00-00	WASHER, SPECIAL	2	
10	3G1-84712-60-00	SEAT, BASE	2	
11	1UF-84745-A0-00	LICENSE LITE ASSEMBLY ...	1	
12	3F9-84749-00-00	. BODY, LICENCE LIGHT	1	
13	(3G1-84741-00-00)	BASE, LICENSE LIGHT	1	
14	3F9-84744-00-XX	. BULB, METER 12V3.8W	2	
15	3G1-84751-00-93	BRACKET, LICENSE	1	CHROME PLATED
16	3G1-84553-00-00	DAMPER	2	
17	3F9-84754-00-00	WASHER, SPECIAL	2	
18	95303-05800-00	NUT (CROWN)	2	
19	3G1-84753-60-00	DAMPER	3	
20	92990-08200-00	WASHER, PLAIN	3	
21	92995-06100-00	WASHER, SPRING	3	
22	95380-06600-00	NUT, HEXAGON	3	
23	3G1-84761-00-00	BOLT	1	
24	3G1-84726-00-00	SCREW	2	
25	3G1-84753-00-00	DAMPER	1	
26	90480-15061-00	GROMMET	1	
27	90464-16021-00	CLAMP	2	

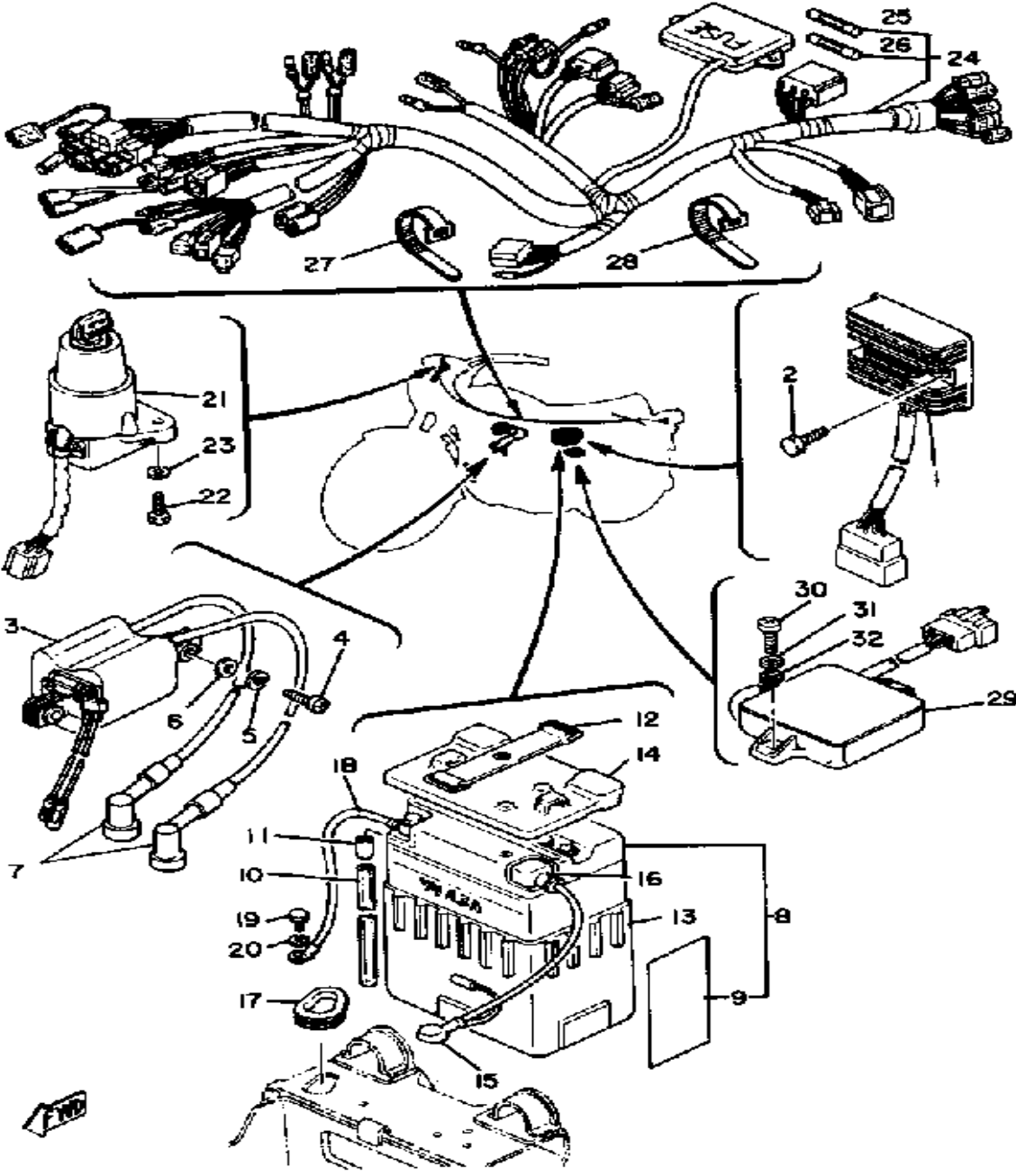
ELECTRICAL 1



Ref. No.	Part Number	Description	Qty	Remarks
1	2M0-82590-50-00	WIRE HARNESS ASSEMBLY ..	1	
2	1A0-82161-00-00	. FUSE (20A) (148-82151-00-00)	1	
3	116-82151-00-00	. FUSE	3	
4	447-81950-50-00	RELAY ASSEMBLY	1	
5	98511-06025-00	SCREW PAN HEAD	2	
6	92995-06100-00	WASHER, SPRING	2	
7	90201-06M08-00	WASHER, PLATE	2	
8	2M0-83371-51-00	HORN	1	
9	97001-08025-00	BOLT (1NV)	1	
10	92990-08100-00	WASHER, SPRING	2	
11	90201-08107-00	WASHER, PLATE	2	
12	254-82310-60-00	IGNITION COIL ASSEMBLY ...	2	
13	92995-06100-00	WASHER, SPRING	4	
14	95380-06600-00	NUT, HEXAGON	4	
15	4X7-82341-00-00	CORD, HIGH TENS 1 (4X7-82342-00)	2	
16	256-82370-00-00	PLUG CAP ASSEMBLY	2	
17	BTY-YB14L-A2-00	BATTERY ASSEMBLY (YB14L-A2)	1	12V-14AH
18	90445-08582-00	HOSE	1	
19	(90386-07043-00)	BUSH, SPEC'L NYLON	1	
20	447-82115-01-00	WIRE, PLUS LEAD	1	
21	447-82119-00-00	COVER, LEAD WIRE	1	
22	2M0-82129-00-00	COVER, BATTERY	1	
23	447-82116-00-00	WIRE, MINUS LEAD	1	
24	97013-06012-00	BOLT	1	
25	92995-06100-00	WASHER, SPRING	1	
26	447-82122-00-00	SEAT, BATTERY	1	
27	118-82141-09-00	LABEL, BATTERY	1	

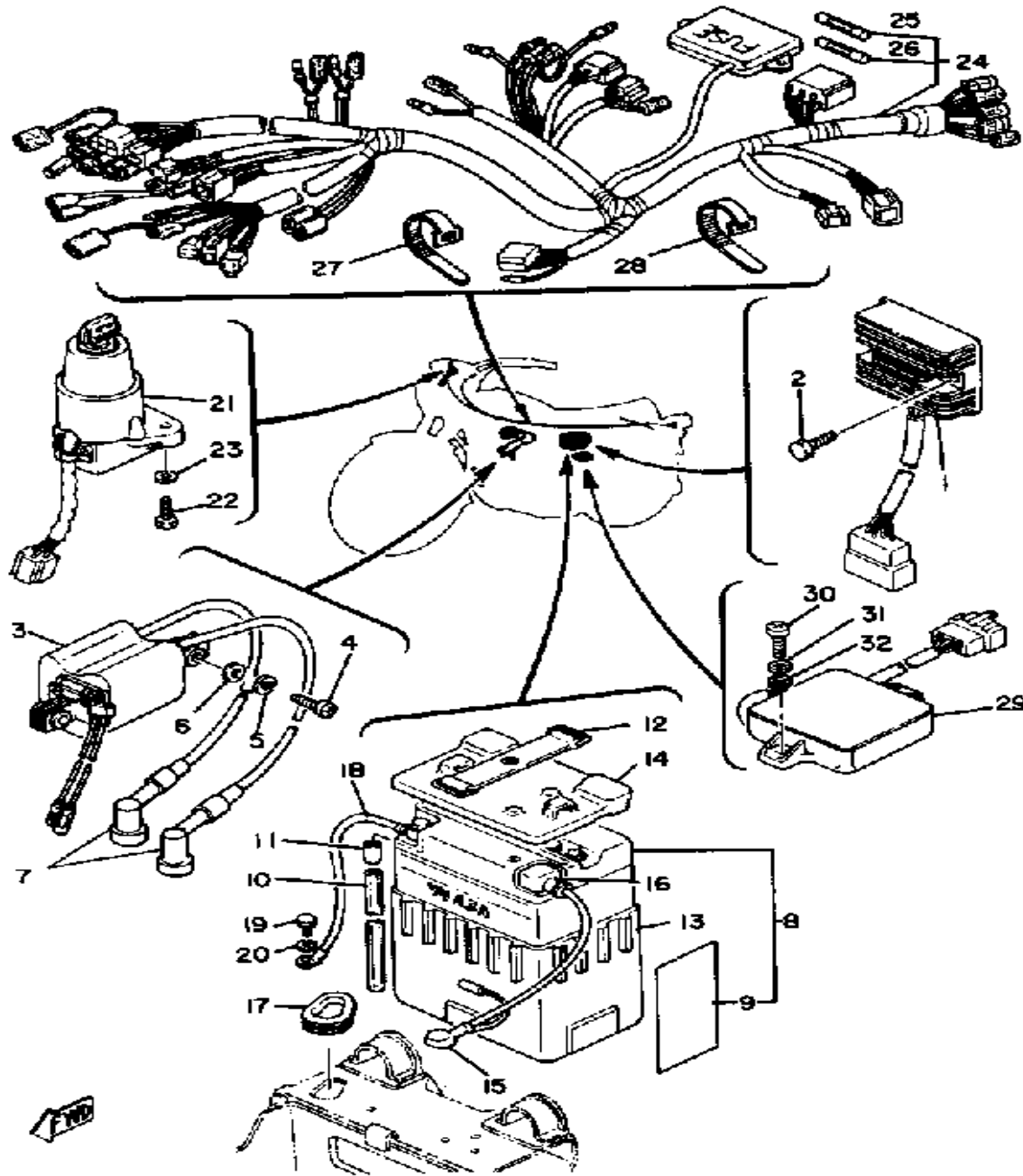
CONTINUED ON NEXT FRAME ►

ELECTRICAL 1



Ref. No.	Part Number	Description	Qty	Remarks
28	120-82131-00-00	BAND, BATTERY	1	
29	1L9-81910-50-00	VOLTAGE REG ASSEMBLY ..	1	
30	90201-06M08-00	WASHER, PLATE	2	
31	98511-06025-00	SCREW PAN HEAD	2	
32	92995-06100-00	WASHER, SPRING	2	
33	(90465-20138-00)	CLAMP	1	SE 114241-

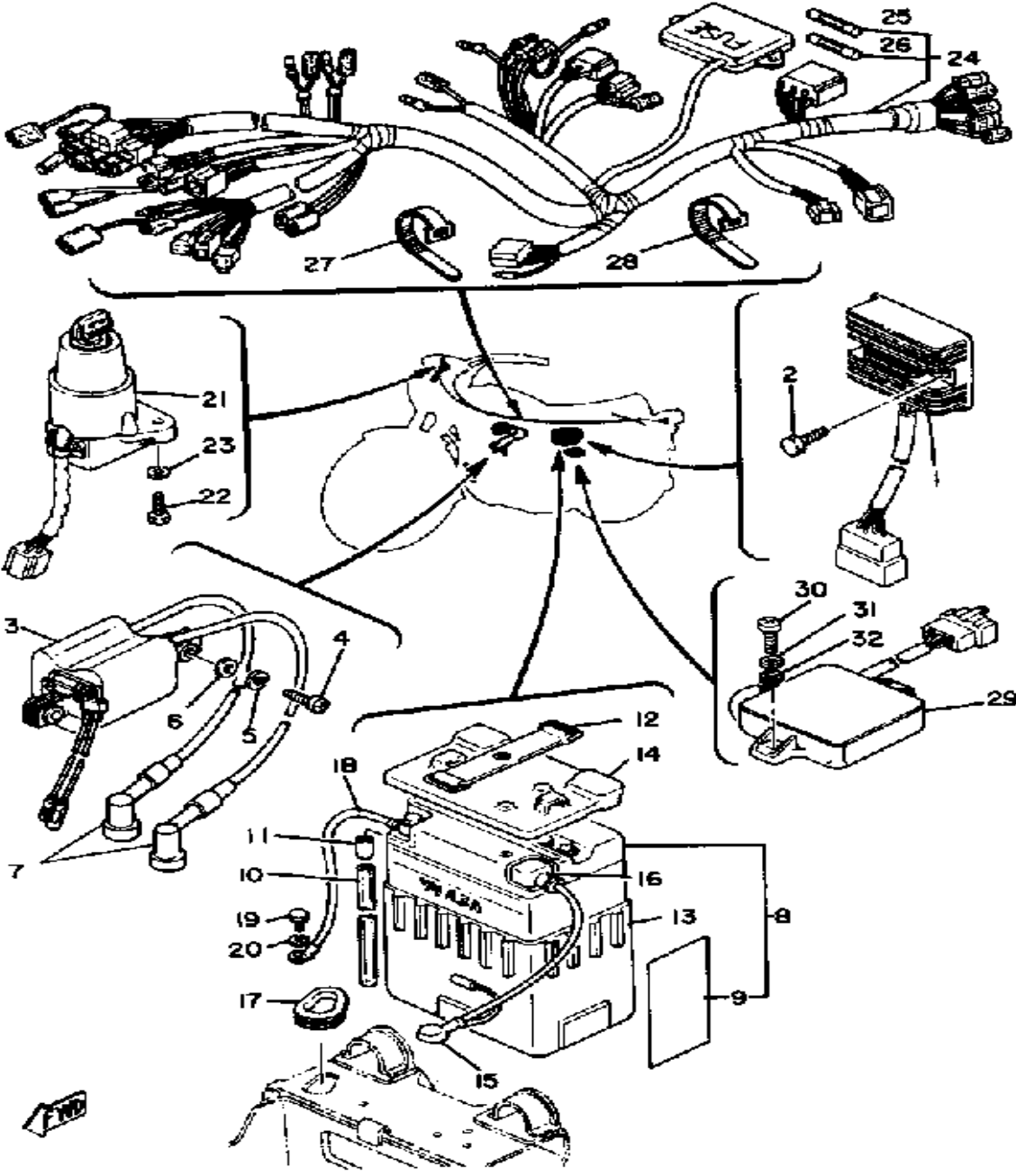
ELECTRICAL 1



Ref. No.	Part Number	Description	Qty	Remarks
1	2M0-82590-51-00	WIRE HARNESS ASSEMBLY ..	1	
2	1A0-82161-00-00	. FUSE (20A) (148-82151-00-00)	1	
3	116-82151-00-00	. FUSE	3	
4	2F0-81950-50-00	RELAY ASSEMBLY	1	
5	98511-06025-00	SCREW PAN HEAD	2	
6	92995-06100-00	WASHER, SPRING	2	
7	90201-06M08-00	WASHER, PLATE	2	
8	2M0-83371-51-00	HORN	1	
9	(90465-20138-00)	CLAMP	1	
10	97001-08025-00	BOLT (1NV)	2	
11	92990-08100-00	WASHER, SPRING	2	
12	90201-08107-00	WASHER, PLATE	2	
13	254-82310-60-00	IGNITION COIL ASSEMBLY ...	2	
14	92995-06100-00	WASHER, SPRING	4	
15	95380-06600-00	NUT, HEXAGON	4	
16	4X7-82341-00-00	CORD, HIGH TENS 1 (4X7-82342-00)	2	
17	256-82370-00-00	PLUG CAP ASSEMBLY	2	
	512-82370-10-00	PLUG CAP ASSEMBLY	2	
18	BTY-YB14L-A2-00	BATTERY ASSEMBLY (YB14L-A2)	1	12V-14AH
19	90445-08582-00	HOSE	1	
20	(90386-07043-00)	BUSH, SPEC'L NYLON	1	
21	447-82115-01-00	WIRE, PLUS LEAD	1	
22	447-82119-00-00	COVER, LEAD WIRE	1	
23	2M0-82129-00-00	COVER, BATTERY	1	
24	447-82116-00-00	WIRE, MINUS LEAD	1	
25	97013-06012-00	BOLT	1	
26	92995-06100-00	WASHER, SPRING	1	

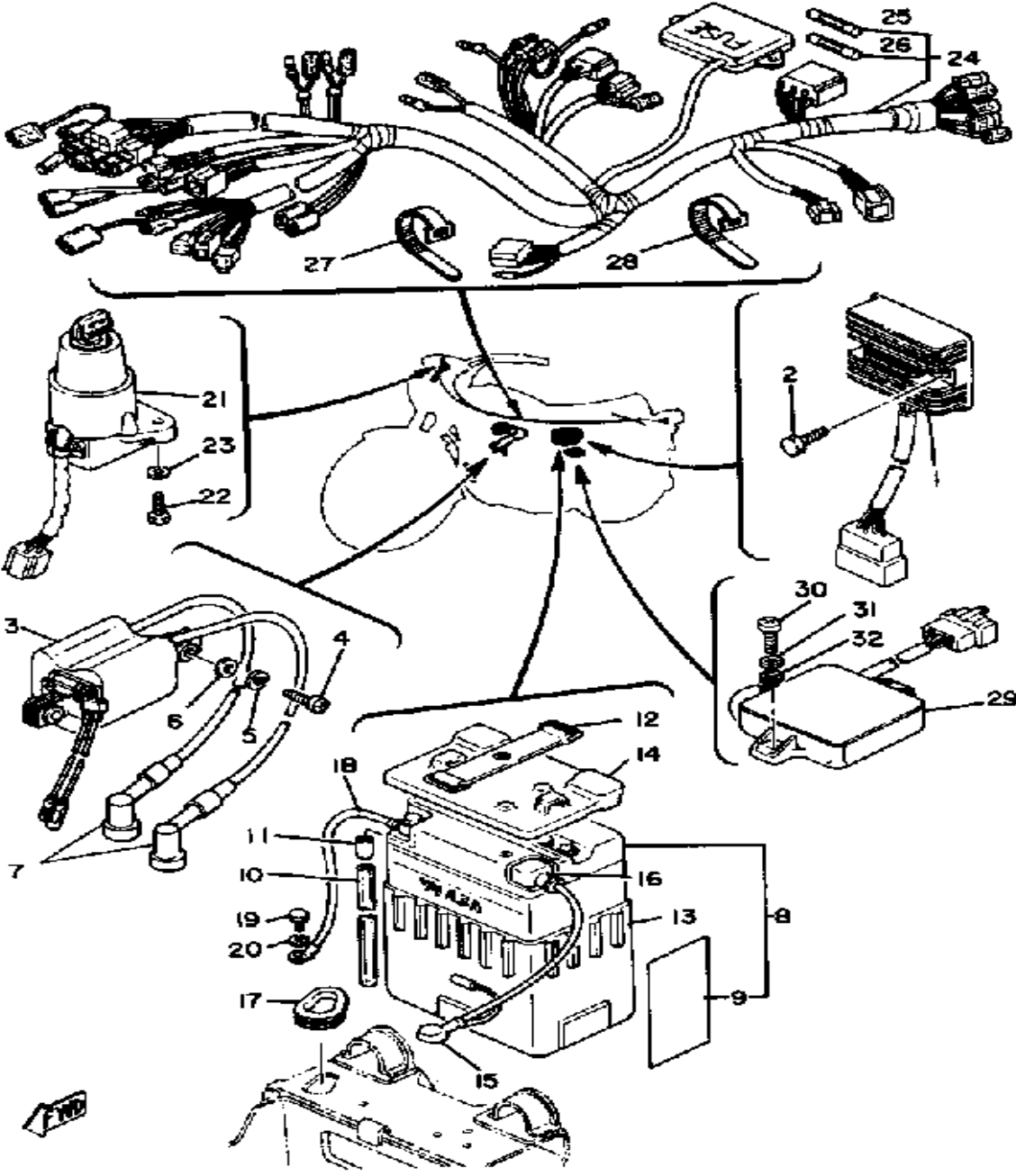
CONTINUED ON NEXT FRAME ►

ELECTRICAL 1



Ref. No.	Part Number	Description	Qty	Remarks
27	447-82122-00-00	SEAT, BATTERY	1	
28	120-82131-00-00	BAND, BATTERY	1	
29	1L9-81910-50-00	VOLTAGE REG ASSEMBLY ..	1	
30	90201-06M08-00	WASHER, PLATE	2	
31	98511-06025-00	SCREW PAN HEAD	2	
32	92995-06100-00	WASHER, SPRING	2	
33	118-82141-09-00	LABEL, BATTERY	1	

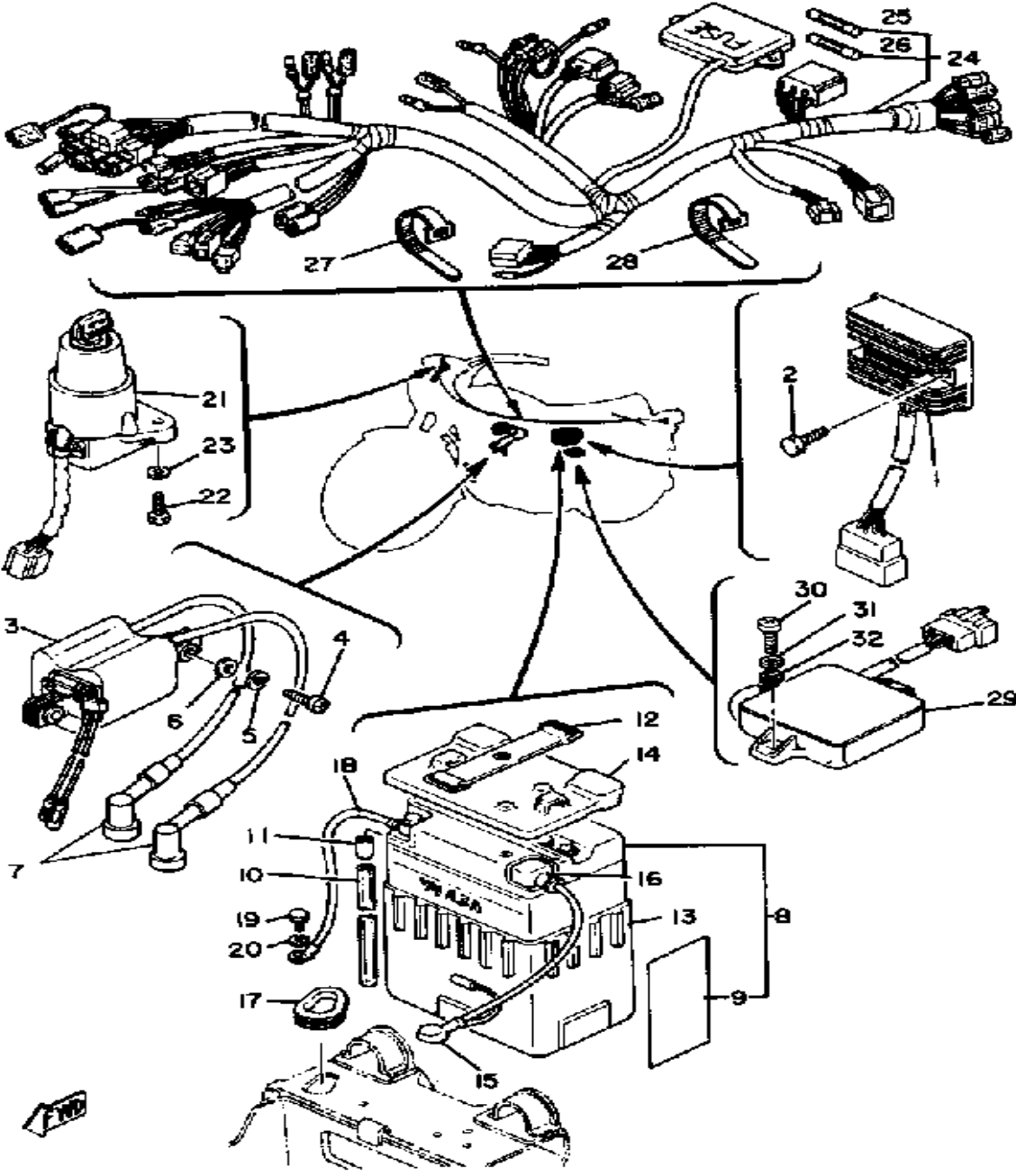
ELECTRICAL 1



Ref. No.	Part Number	Description	Qty	Remarks
1	3G1-81960-A1-00	RECTIFIER/REG ASSEMBLY ..	1	
2	(90109-06558-00)	BOLT	2	
3	3G1-82310-60-00	IGNITION COIL ASSEMBLY ...	1	
4	98580-06030-00	SCREW PAN HEAD	2	
5	92995-06100-00	WASHER, SPRING	2	
6	92901-06600-00	WASHER, PLATE	2	
7	256-82370-00-00	PLUG CAP ASSEMBLY	2	
8	BTY-YB14L-A2-00	BATTERY ASSEMBLY (YB14L-A2)	1	
9	118-82141-09-00	. LABEL, BATTERY	1	
10	90445-08582-00	HOSE	1	
11	(90386-07043-00)	BUSH, SPEC'L NYLON	1	
12	120-82131-00-00	BAND, BATTERY	1	
13	447-82122-00-00	SEAT, BATTERY	1	
14	2M0-82129-00-00	COVER, BATTERY	1	
15	447-82115-01-00	WIRE, PLUS LEAD	1	
16	447-82119-00-00	COVER, LEAD WIRE	1	
17	(447-82128-00-00)	BRACKET, BATTERY	1	
18	447-82116-00-00	WIRE, MINUS LEAD	1	
19	97013-06012-00	BOLT	1	
20	92995-06100-00	WASHER, SPRING	1	
21	3JV-82501-00-00	MAIN SWITCH STEERING LOCK	1	
22	97313-06016-00	BOLT, HEXAGON	2	
23	92901-06600-00	WASHER, PLATE	2	
24	3G1-82590-51-00	WIRE HARNESS ASSEMBLY ..	1	
25	1A0-82161-00-00	. FUSE (20A) (148-82151-00-00)	1	
26	116-82151-00-00	. FUSE	3	
27	25G-83936-01-00	BAND, SWITCH CORD	4	

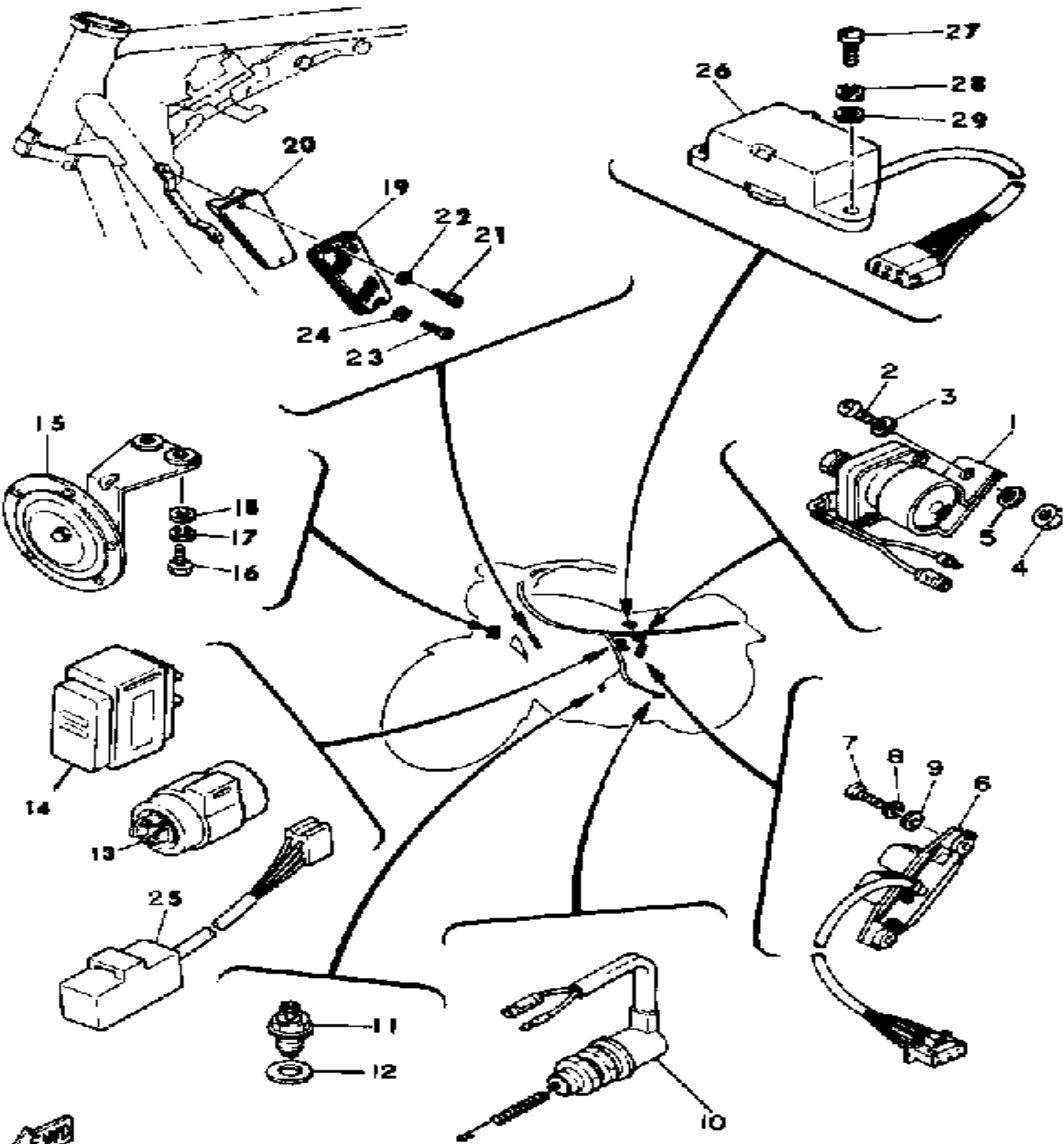
CONTINUED ON NEXT FRAME ►

ELECTRICAL 1



Ref. No.	Part Number	Description	Qty	Remarks
28	437-83936-11-00	BAND, SWITCH CORD	1	
29	4M4-82305-10-00	IGNITOR UNIT ASSEMBLY 1 ..	1	
30	98511-06025-00	SCREW PAN HEAD	2	
31	92995-06100-00	WASHER, SPRING	2	
32	90201-06067-00	WASHER, PLATE	2	

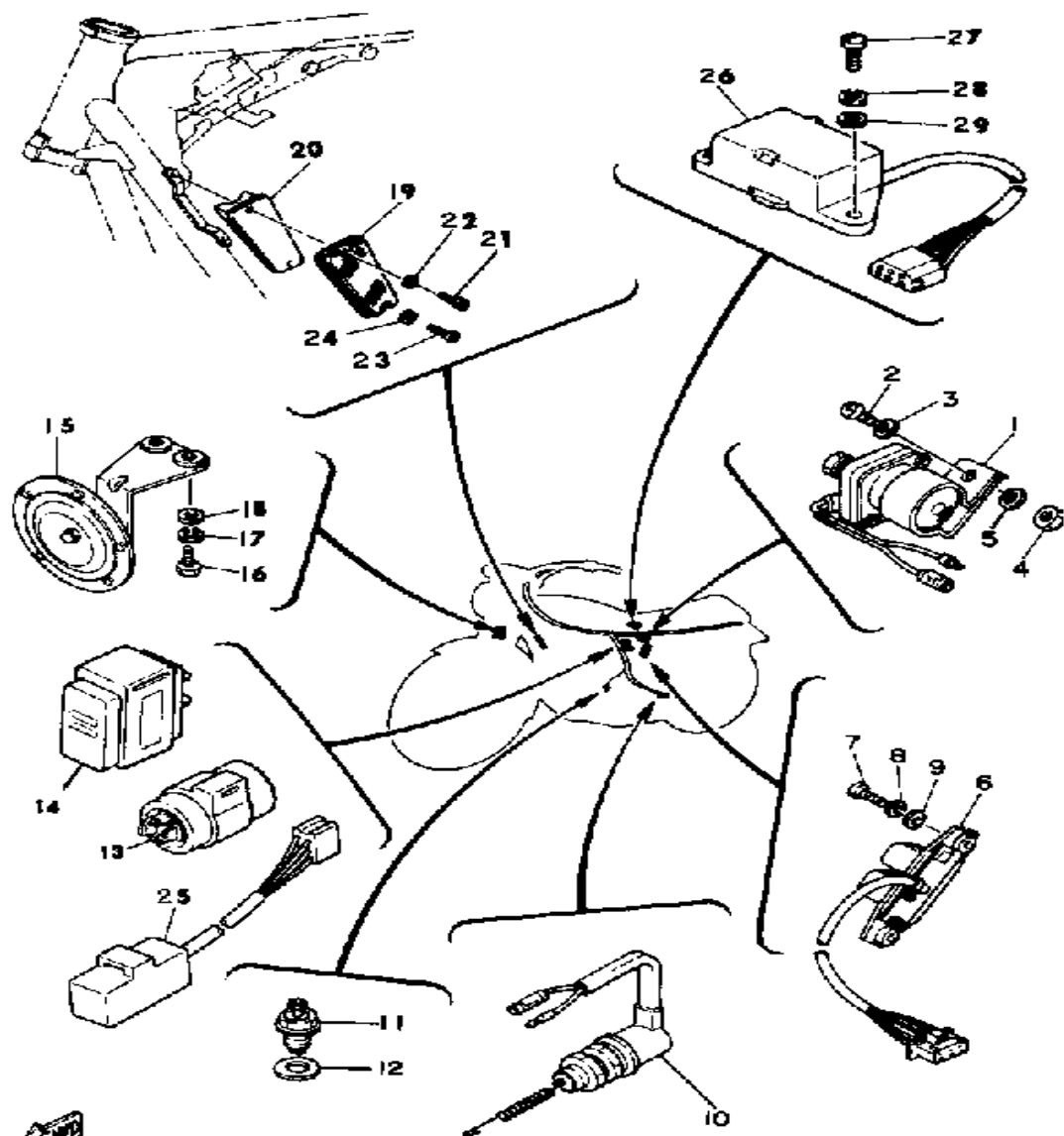
ELECTRICAL 2



Ref. No.	Part Number	Description	Qty	Remarks
1	256-81625-10-00	CONDENSER 1	1	
2	98580-06008-00	SCREW, PAN HEAD	2	
3	92995-06100-00	WASHER, SPRING	2	
4	3JV-82501-00-00	MAIN SWITCH STEERING LOCK	1	
5	97011-06016-00	BOLT (97021-06016)	2	
6	92901-06600-00	WASHER, PLATE	2	SE 114241-
	92995-06100-00	WASHER, SPRING	2	SE -114240
7	2F0-83350-70-00	FLASHER RELAY ASSEMBLY	1	
8	136-82540-00-00	NEUTRAL SWITCH ASSEMBLY	1	
9	37R-82543-00-00	. GASKET (136-82543-00)	1	
10	1J7-82530-02-00	STOP SWITCH	1	
11	447-81970-10-00	RECTIFIER ASSEMBLY	1	
12	92990-08100-00	WASHER, SPRING	1	
13	90101-08312-00	BOLT	1	
	95303-08700-00	NUT	1	
14	2M0-84708-01-00	CHECKER, LIGHT	1	SE -114240
	371-84708-02-00	CHECKER, LIGHT	1	SE 114241-
15	447-81940-10-00	STARTER SWITCH ASSEMBLY	1	
16	98503-06014-00	SCREW, PAN HEAD	1	
17	92995-06100-00	WASHER, SPRING	1	
18	256-81615-00-00	WIRE, LEAD	1	
19	1A0-83395-03-00	FLASHER CANCL UNIT	1	
20	1T3-84308-00-00	RSRV LTNG UNIT ASSEMBLY	1	
21	98580-06018-00	SCREW, PAN HEAD (N15)	2	
22	92995-06100-00	WASHER, SPRING	2	
23	92901-06600-00	WASHER, PLATE	2	

IGNITION SYSTEM	
Ignition Timing	Transistor Controlled Ignition 15° Mark
Spark Plug Type	Std: 18° @ 1200 rpm Adv: 40° @ Approx. 3200 rpm
Spark Plug Gap / Torque / Cap Ω	NGK BP7ES or Champion N7Y 0.7 ~ 0.8mm / 2.0m.kg / 10K Ω
Point Gap / Condenser Capacitance	4 / 2
TROUBLESHOOTING	
Ignition Coil Test Gap / Primary Ω / Secondary Ω	6mm / 2.5 Ω ± 10% / 13K Ω ± 20%
Pulse Coil or Pick-up Coil Color Code / Ω	Org - Blk, Gry - Blk / 700 Ω ± 20%

ELECTRICAL 2

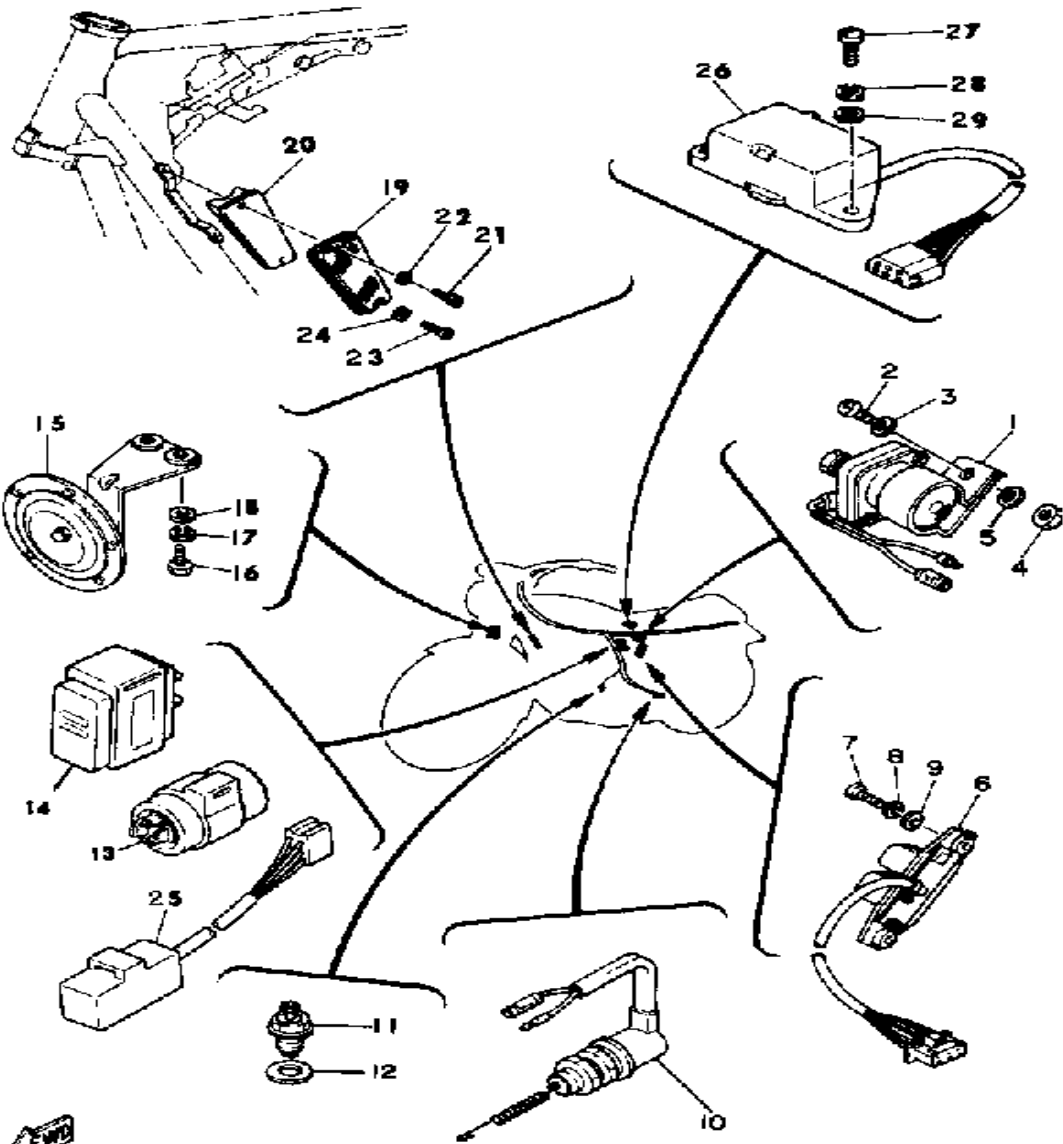


Ref. No.	Part Number	Description	Qty	Remarks
1	447-81940-10-00	STARTER SWITCH ASSEMBLY	1	
2	98503-06014-00	SCREW, PAN HEAD	1	
3	92995-06100-00	WASHER, SPRING	1	
4	95380-06700-00	NUT	2	
5	92995-06100-00	WASHER, SPRING	2	
6	2F0-81950-50-00	RELAY ASSEMBLY	1	
7	98511-06025-00	SCREW PAN HEAD	2	
8	92995-06100-00	WASHER, SPRING	2	
9	90201-06M08-00	WASHER, PLATE	2	
10	1J7-82530-02-00	STOP SWITCH	1	
11	136-82540-00-00	NEUTRAL SWITCH ASSEMBLY	1	
12	90201-12790-00	WASHER, PLATE	1	
13	2F0-83350-70-00	FLASHER RELAY ASSEMBLY	1	ROUND BODY
14	3G1-83350-70-00	FLASHER RELAY ASSEMBLY	1	SQUARE BODY
15	2M0-83371-51-00	HORN	1	
16	97001-08025-00	BOLT (1NV)	2	
17	92990-08100-00	WASHER, SPRING	2	
18	90201-08107-00	WASHER, PLATE	2	
19	3G1-85110-00-00	FRT REFLECTOR ASSEMBLY	2	
20	3G1-85127-00-00	BASE, REFLECTOR	2	
21	98503-04014-00	SCREW, PAN HEAD (98503-04015)	2	
22	92901-04600-00	WASHER, PLATE	2	
23	98503-04014-00	SCREW, PAN HEAD (98503-04015)	2	
24	92901-04600-00	WASHER, PLATE	2	
25	1A0-83395-03-00	FLASHER CANCL UNIT	1	
26	1T3-84308-00-00	RSRV LTNG UNIT ASSEMBLY	1	
27	98580-06018-00	SCREW, PAN HEAD (N15)	2	

IGNITION SYSTEM	
Ignition Timing	Transistor Controlled Ignition 15° Mark
Spark Plug Type	Std: 18° @ 1200 rpm Adv: 40° @ Approx. 3200 rpm
Spark Plug Gap / Torque / Cap Ω	NGK BP7ES or Champion N7Y 0.7 ~ 0.8mm / 2.0m·kg / 10K Ω
Point Gap / Condenser Capacitance	4 / 2
TROUBLESHOOTING	
Ignition Coil Test Gap / Primary Ω / Secondary Ω	6mm / 2.5 Ω ± 10% / 13K Ω ± 20%
Pulse Coil or Pick-up Coil Color Code / Ω	Org - Blk, Gry - Blk / 700 Ω ± 20%

CONTINUED ON NEXT FRAME ►

ELECTRICAL 2



Ref. No.	Part Number	Description	Qty	Remarks
28	92995-06100-00	WASHER, SPRING	2	
29	92901-06600-00	WASHER, PLATE	2	

IGNITION SYSTEM	
Ignition Timing	Transistor Controlled Ignition 15° Mark
Spark Plug Type	Std: 18° @ 1200 rpm Adv: 40° @ Approx. 3200 rpm
Spark Plug Gap / Torque / Cap Ω	NGK BP7ES or Champion N7Y 0.7 ~ 0.8mm / 2.0m·kg / 10K Ω
Point Gap / Condenser Capacitance	4 / φ
TROUBLESHOOTING	
Ignition Coil Test Gap / Primary Ω / Secondary Ω	6mm / 2.5 Ω ± 10% / 13K Ω ± 20%
Pulse Coil or Pick-up Coil Color Code / Ω	Org ~ Blk, Gry ~ Blk / 700 Ω ± 20%

This Bulletin replaces M8-026.
Please remove and destroy Bulletin M8-026.

XS650SF MOTORCYCLE 1979 SERVICE DATA M8-026A

△ Denotes a change from the original bulletin.

MODEL – IBM I.D. NUMBER	XS650SF-R XS650SF-BG — 2FO
Initial Engine Number/Frame Number	2FO-150101 / 2FO-150101
Basic Color(s)	Carmine Red (R) Black Gold (BG)
Fuel Type/Fuel Tank Capacity/Reserve Capacity	Regular / 11 lit. (2.9 gal.) / 2.3 lit. (0.5 gal.)
Dry Vehicle Weight	210 kg (463 lbs.)
ENGINE TYPE	4-stroke, SOHC, air-cooled
Bore/Stroke/Number Cylinders/Displacement (cc)	75mm / 74mm / 2 / 653cc
Compression Ratio/Compression Pressure min ~ max	8.5: 1 / 9.5 ~ 11.5 kg / cm ²
Piston Skirt Clearance new/max.	0.050 ~ 0.055mm / 0.1mm
Ring End Gap top/2nd/3rd	0.2 ~ 0.4mm / 0.2 ~ 0.4mm / 0.3 ~ 0.9mm
Valve Clearance (cold) Intake/Exhaust △	0.06mm / 0.15mm
Oil Pressure hot/rpm	φ
Oiling System	
Capacity: Dry	2500cc
Oil and Filter Change	2000cc
Oil Change	2000cc
Lubricant: Temp above 5°C (40°F)	Yamalube 4* or SAE 20W40 SE
Below 15°C (60°F)	Yamalube 4* or SAE 20W40 SE
AUTOLUBE – Min. Stroke/Color Code	φ
Minimum Output @ 200 cycles	φ
Maximum Output @ 200 cycles	φ
CARBURETOR – Mfr./Type/I.D. Number	Mikuni / BS38 / 2F000
Main Jet/Pilot Jet	135 / 27.5
Needle Jet/Jet Needle-Clip Position	Z-2 / 502-3
Slide Cutaway or Throttle Valve	120
Float Level	24 ± 1 mm
Idle RPM	1200
CO % @ Idle (Diagnostic Use Only) △	3.0 ± 2%
SUSPENSION	
Front Forks: Oil Type/Level/Qty.	10 wt. Fork Oil / φ / 169cc
Gas Pressure	φ
Spring Length Std.	482mm
Monoshock: Oil Type/Qty.	φ
Gas Pressure	φ
Minimum Brake Lining Thickness	Front: 6.0mm Rear: 6.0mm
Tire Size (Nominal Pressure)	F:3.50S19(1.6kg/cm ² / 22psi) R:130/90S16(2.0kg/cm ² / 28psi)
TRANSMISSION – Oil Type/Qty Chg/Qty Reassemble	See ENGINE above
Primary Drive Type/Teeth/Ratio	Spur Gear
Secondary Drive Type/Teeth/Chain	Chain / 34-17 / DID 530HDS-104L
Clutch Friction Plate Thickness Std ~ min.	3.0 ~ 2.7mm
Clutch Spring Length Std ~ min.	34.6 ~ 33.6 mm
Middle Gear Case Capacity	φ
Final Gear Case Capacity	φ
Gear Case Lubricant: Temp above 5°C (40°F)	φ
Temp below 15°C (60°F)	φ
All Weather Conditions	φ

Service Copy: _____ Service Mgr. _____ Mechanic _____ Mechanic _____ Mechanic _____ Binder _____

Office Copy: _____ General Mgr. _____ Sales _____ Parts _____ Binder _____

©YAMAHA MOTOR CORPORATION, U. S. A., BUENA PARK, CALIFORNIA December 27, 1978 Page 1 of 2

CHARGING SYSTEM	AC Generator / 3 Phase / Full Wave
Battery Model / Spec. Grav. / Chg. Rate	Yuasa YB14L-A2 (12V 14AH) / 1.280 / 1.4A
Maximum Output	14V11A @ 2000 rpm
TROUBLESHOOTING	
Field Coil Color Code / Ω	Rotor: 5.25 Ω ± 10% Stator: 0.46 Ω ± 10%
Charge Coil Color Code / Ω	φ
IGNITION SYSTEM	Battery and Coil
Ignition Timing	15° Mark
	Std: 15° @ 1200 rpm Adv: 40° @ approx. 3000 rpm
Spark Plug Type	NGK BP7ES or Champion N7Y
Spark Plug Gap / Torque / Cap Ω	0.7 ~ 0.8mm / 2.0m-kG / 10K Ω
Point Gap / Condenser Capacitance	0.3 ~ 0.4mm / 0.22 μ F ± 10%
TROUBLESHOOTING	
Ignition Coil Test Gap / Primary Ω / Secondary Ω	6mm / 3.9 Ω ± 10% / 8.0K Ω ± 20%
Pulse Coil or Pick-up Coil Color Code / Ω	φ
Source Coil Color Code / Ω	φ
LIGHTING SYSTEM	
Headlight / Taillight / Signal Rating	12V50-40W / 12V27-8W / 12V27W
TROUBLESHOOTING	
Lighting Coil Color Code / Ω	φ
TORQUE VALUES	
Front Axle Nut	14 x 1.5: 10.7 m-kG
Front Axle Holder Nut	8 x 1.25: 1.4 m-kG
Rear Axle Nut	18 x 1.5: 15.0 m-kG
Rear Axle Pinch Bolt	φ
Clutch Nut	18 x 1.0: 8.0 m-kG
Drain Plug	30 x 1.5: 4.2 m-kG
Cylinder Head Cover	8 x 1.25: 2.1 m-kG
Cylinder Head:	10 x 1.25: 3.7 m-kG
	6 x 1.0: 0.9 m-kG
Engine Mounting Bolts:	
Front	10 x 1.25: 4.6 m-kG
Engine, Lower	10 x 1.25: 9.0 m-kG
Rear	10 x 1.25: 4.0 m-kG
Rear, Lower	10 x 1.25: 4.6 m-kG
Engine, Upper	8 x 1.25: 1.8 m-kG / 10 x 1.25: 3.0 m-kG

φ Does Not Apply to This Model

* Available From Yamaha Parts Distributors, Inc.

Page 2 of 2

XS650SG 1980 SERVICE DATA

MOTORCYCLE
M79-037

MODEL - IBM I.D. NUMBER	XS650SG-R XS650SG-B 3G1
Initial Engine Number/Frame Number	2F0-200101 / 2F0-200101
Basic Color(s)	Cardinal Red (R) New Yamaha Black (B)
Fuel Type/Fuel Tank Capacity/Reserve Capacity	Regular / 11.5 Lit. (3.0 Gal.) / 2.3 Lit. (0.5 Gal.)
Dry Vehicle Weight	210 kg (463 lbs.)
ENGINE TYPE	4-stroke, SOHC, air-cooled
Bore/Stroke/Number Cylinders/Displacement (cc)	75mm / 74mm / 2 / 654cc
Compression Ratio/Compression Pressure min ~ max	8.7:1 / 9.5 ~ 11.5 kg / cm ²
Piston Skirt Clearance new/max.	0.050 ~ 0.055mm / 0.1mm
Ring End Gap top/2nd/3rd	0.2 ~ 0.4mm / 0.2 ~ 0.4mm / 0.3 ~ 0.9mm
Valve Clearance (cold) Intake/Exhaust	0.06mm / 0.15mm
Oil Pressure hot/rpm	φ
Oiling System	Wet Sump
Capacity: Dry	2500cc
Oil and Filter Change	2000cc
Oil Change	2000cc
Lubricant: Temp above 5°C (40°F)	Yamalube 4* or SAE 20W40 SE
Below 15°C (60°F)	Yamalube 4* or SAE 20W40 SE
AUTOLUBE - Min. Stroke/Color Code	φ
Minimum Output @ 200 cycles	φ
Maximum Output @ 200 cycles	φ
CARBURETOR - Mfr./Type/I.D. Number	Mikuni / BS34 / 3G1-00
Main Jet/Pilot Jet	132.5 / 42.5
Needle Jet/Jet Needle-Clip Position	Y-O / 5HX12-Fixed
Slide Cutaway or Throttle Valve	135
Float Level	27.3 ± 0.5mm
Idle RPM	1200
CO % @ Idle (Diagnostic Use Only)	3.0 ± 2%
SUSPENSION	
Front Forks: Oil Type/Level/Qty.	10 wt. Fork Oil / φ / 169cc
Gas Pressure	φ
Spring Length Std.	482mm
Monoshock: Oil Type/Qty.	φ
Gas Pressure	φ
Minimum Brake Lining Thickness	Front: 6.0mm Rear: 6.0mm
Tire Size (Nominal Pressure)	F: 3.50S19(1.6 kg/cm ² /22psi) R: 130/90-16 67S(2.0 kg/cm ² /28 psi)
TRANSMISSION - Oil Type/Qty Chg/Qty Reassemble	See ENGINE above
Primary Drive Type/Teeth/Ratio	Spur Gear / 72-27 / 2.666
Secondary Drive Type/Teeth/Chain	Chain / 34-17 / DID 530HDS-104L
Clutch Friction Plate Thickness Std ~ min.	3.0 ~ 2.7mm
Clutch Spring Length Std ~ min.	34.6 ~ 33.6 mm
Middle Gear Case Capacity	φ
Final Gear Case Capacity	φ
Gear Case Lubricant: Temp above 5°C (40°F)	φ
Temp below 15°C (60°F)	φ
All Weather Conditions	φ

Service Copy: _____ Service Mgr. _____ Mechanic _____ Mechanic _____ Mechanic _____ Binder _____

Office Copy: _____ General Mgr. _____ Sales _____ Parts _____ Binder _____

©1979 YAMAHA MOTOR CORPORATION, U.S.A. CYPRESS, CALIF.

August 31, 1979 PAGE 1 OF 2

CHARGING SYSTEM	AC Generator / 3 Phase / Full Wave
Battery: Model / Spec. Grav. / Chg. Rate	Yuasa YB14L-A2 (12V 14AH) / 1.28 / 1.4A
Maximum Output	14V 16A @ 5000 rpm
TROUBLESHOOTING	
Field Coil Color Code / Ω	Rotor: Grn~Brn/5.3 Ω ± 10% Stator: Wht~Wht/0.46 Ω ± 10%
Charge Coil Color Code / Ω	φ
IGNITION SYSTEM	Transistor Controlled Ignition
Ignition Timing	15° Mark
	Std: 15° @ 1200 rpm Adv: 40° @ Approx. 3200 rpm
Spark Plug Type	NGK BP7ES or Champion N7Y
Spark Plug Gap / Torque / Cap Ω	0.7 ~ 0.8mm / 2.0m-kG / 10K Ω
Point Gap / Condenser Capacitance	φ / φ
TROUBLESHOOTING	
Ignition Coil Test Gap / Primary Ω / Secondary Ω	6mm / 2.5 Ω ± 10% / 13K Ω ± 20%
Pulse Coil or Pick-up Coil Color Code / Ω	Org ~ Blk, Gry ~ Blk / 700 Ω ± 20%
Source Coil Color Code / Ω	φ
LIGHTING SYSTEM	
Headlight / Taillight / Signal Rating	12V50-40W / 12V27-8W / 12V27W
TROUBLESHOOTING	
Lighting Coil Color Code / Ω	φ
TORQUE VALUES	
Front Axle Nut	14 x 1.5: 10.8 m-kG
Front Axle Holder Nut	8 x 1.25: 1.4 m-kG
Rear Axle Nut	18 x 1.5: 15.0 m-kG
Rear Axle Pinch Bolt	φ
Clutch Nut	18 x 1.0: 8.0 m-kG
Drain Plug	30 x 1.5: 4.2 m-kG
Cylinder Head Cover	8 x 1.25: 2.1 m-kG
Cylinder Head:	10 x 1.25: 3.7 m-kG
	6 x 1.0: 0.9 m-kG
Engine Mounting Bolts:	
Front	10 x 1.25: 4.6 m-kG
Engine, Lower	10 x 1.25: 9.0 m-kG
Rear	10 x 1.25: 4.0 m-kG
Rear, Lower	10 x 1.25: 4.6 m-kG
Engine, Upper	8 x 1.25: 1.8 m-kG / 10 x 1.25: 3.0 m-kG

φ Does Not Apply to This Model

* Available From Yamaha Parts Distributors, Inc.

PAGE 2 OF 2

CHARGING SYSTEM		AC Generator / 3 Phase / Full Wave
Battery: Model / Spec. Grav. / Chg. Rate	Yuasa YB14L-A2 (12V 14AH) / 1.28 / 1.4A	
Maximum Output	14V 16A @ 5000 rpm	
TROUBLESHOOTING		
Field Coil Color Code / Ω	Rotor:Grn~Brn/5.3 Ω \pm 10% Stator:Wht~Wht/0.46 Ω \pm 10%	
Charge Coil Color Code / Ω	ϕ	
IGNITION SYSTEM		
Transistor Controlled Ignition		
Ignition Timing	15° Mark	
	Std: 15° @ 1200 rpm Adv: 40° @ Approx. 3200 rpm	
Spark Plug Type	NGK BP7ES or Champion N7Y	
Spark Plug Gap / Torque / Cap Ω	0.7 ~ 0.8mm / 2.0m·kg / 10K Ω	
Point Gap / Condenser Capacitance	ϕ / ϕ	
TROUBLESHOOTING		
Ignition Coil Test Gap / Primary Ω / Secondary Ω	6mm / 2.5 Ω \pm 10% / 13K Ω \pm 20%	
Pulse Coil or Pick-up Coil Color Code / Ω	Org ~ Blk, Gry ~ Blk / 700 Ω \pm 20%	
Source Coil Color Code / Ω	ϕ	
LIGHTING SYSTEM		
Headlight / Taillight / Signal Rating	12V50-40W / 12V27-8W / 12V27W	
TROUBLESHOOTING		
Lighting Coil Color Code / Ω	ϕ	
TORQUE VALUES		
Front Axle Nut	14 x 1.5: 10.8 m·kg	
Front Axle Holder Nut	8 x 1.25: 1.4 m·kg	
Rear Axle Nut	18 x 1.5: 15.0 m·kg	
Rear Axle Pinch Bolt	ϕ	
Clutch Nut	18 x 1.0: 8.0 m·kg	
Drain Plug	30 x 1.5: 4.2 m·kg	
Cylinder Head Cover	8 x 1.25: 2.1 m·kg	
Cylinder Head:	10 x 1.25: 3.7 m·kg	
	6 x 1.0: 0.9 m·kg	
Engine Mounting Bolts:	Front	10 x 1.25: 4.6 m·kg
	Engine, Lower	10 x 1.25: 9.0 m·kg
	Rear	10 x 1.25: 4.0 m·kg
	Rear, Lower	10 x 1.25: 4.6 m·kg
	Engine, Upper	8 x 1.25: 1.8 m·kg / 10 x 1.25: 3.0 m·kg

ϕ Does Not Apply to This Model

* Available From Yamaha Parts Distributors, Inc.