

YAMAHA

GENUINE

PARTS CATALOGUE

MOTORCYCLE

CYLINDER HEAD - CYLINDER HEAD COVER X

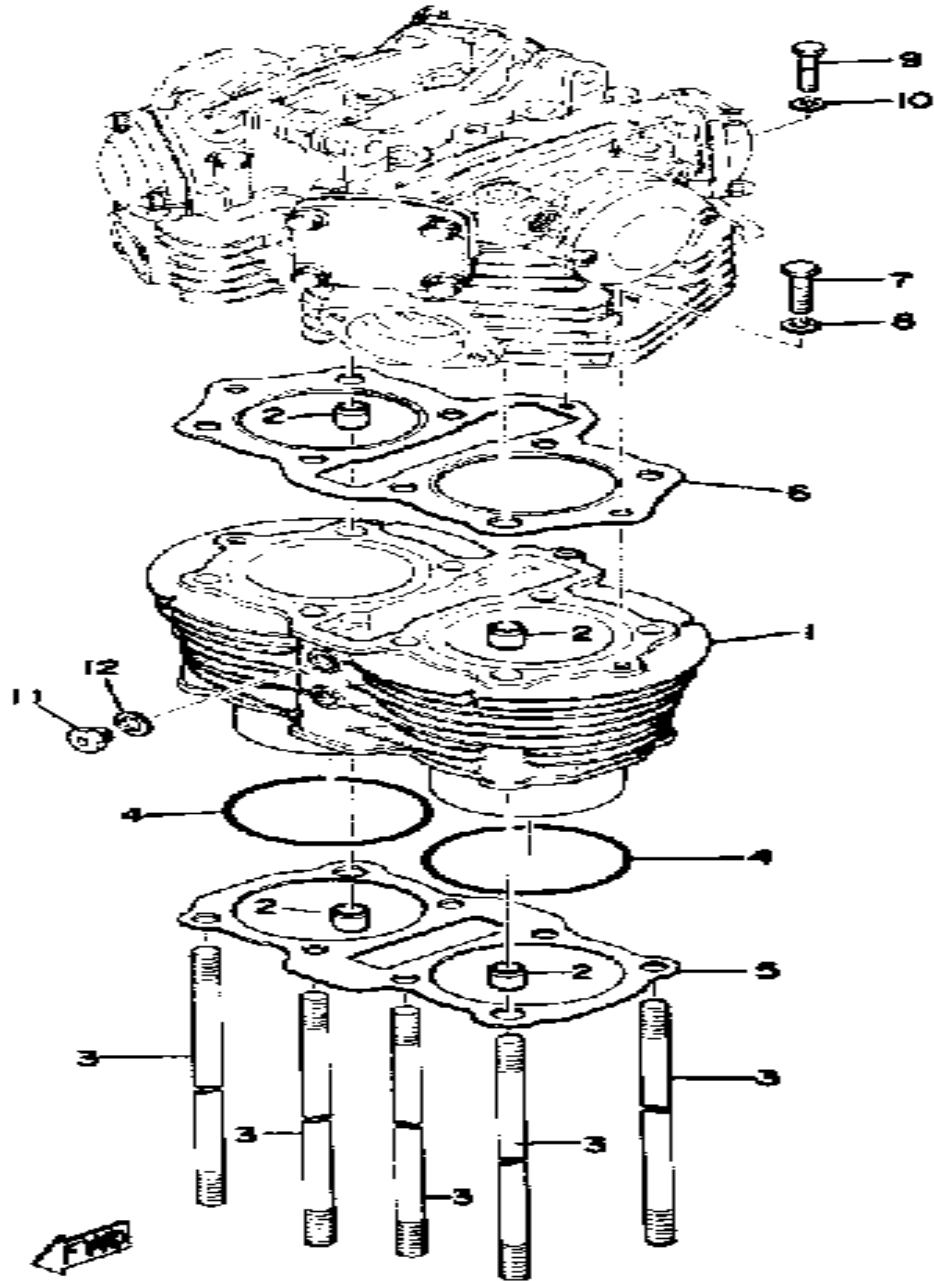
Ref. No.	Part Number	Description	Qty	Remarks
1	(5V4-11101-00-00)	CYLINDER HEAD ASSEMBLY .	1	
2	93210-15151-00	. O-RING	4	
3	(256-11133-21-00)	. GDE, INTK VLV 1 O/S	2	ALT. PART
	341-11133-11-00	. GDE, INTK VLV 1 O/S	2	ALT. PART
4	(256-11134-21-00)	. GDE, EXST VLV 1 O/S	2	ALT. PART
	341-11134-11-00	. GDE, EXST VLV 1 O/S	2	ALT. PART
5	99530-14016-00	PIN, DOWEL	2	
6	93210-12152-00	O-RING	4	
7	256-11199-00-00	SLEEVE, CYLINDER HD COVR	4	
8	(2F0-00000-20-00)	GSKTKT XS650E/F	111	SEE GRID I-1 KIT COMPONENT PRT
	(3G1-W0001-90-00)	GASKT KIT TE XS6 0	111	SEE GRID I-2 KIT COMPONENT PRT
	90176-10008-00	NUT, CROWN	8	
9	90201-10131-00	WASHER, PLATE	4	
10	90210-10004-00	WASHER, SEAL	4	
11	97013-08060-00	BOLT (663)	4	
12	92990-08200-00	WASHER, PLAIN	4	
13	447-11186-00-00	COVER, CYLINDER.HEAD 2 ..	3	
14	93210-62451-00	O-RING	3	
15	90116-06017-00	BOLT, STUD	3	M6-26I
16	90116-06238-00	BOLT, STUD	6	
17	92990-06200-00	WASHER, PLAIN	9	5015
	92990-06600-00	WASHER, PLATE	9	
18	95303-06800-00	NUT (CROWN)	9	
19	447-11185-00-00	CVR, CYLINDER HD SIDE 1 ...	1	
20	93210-62451-00	O-RING	1	
21	90116-08150-00	BOLT, STUD	4	
22	92901-08600-00	WASHER, PLATE	4	

CONTINUED ON NEXT FRAME ►

CYLINDER HEAD - CYLINDER HEAD COVER X

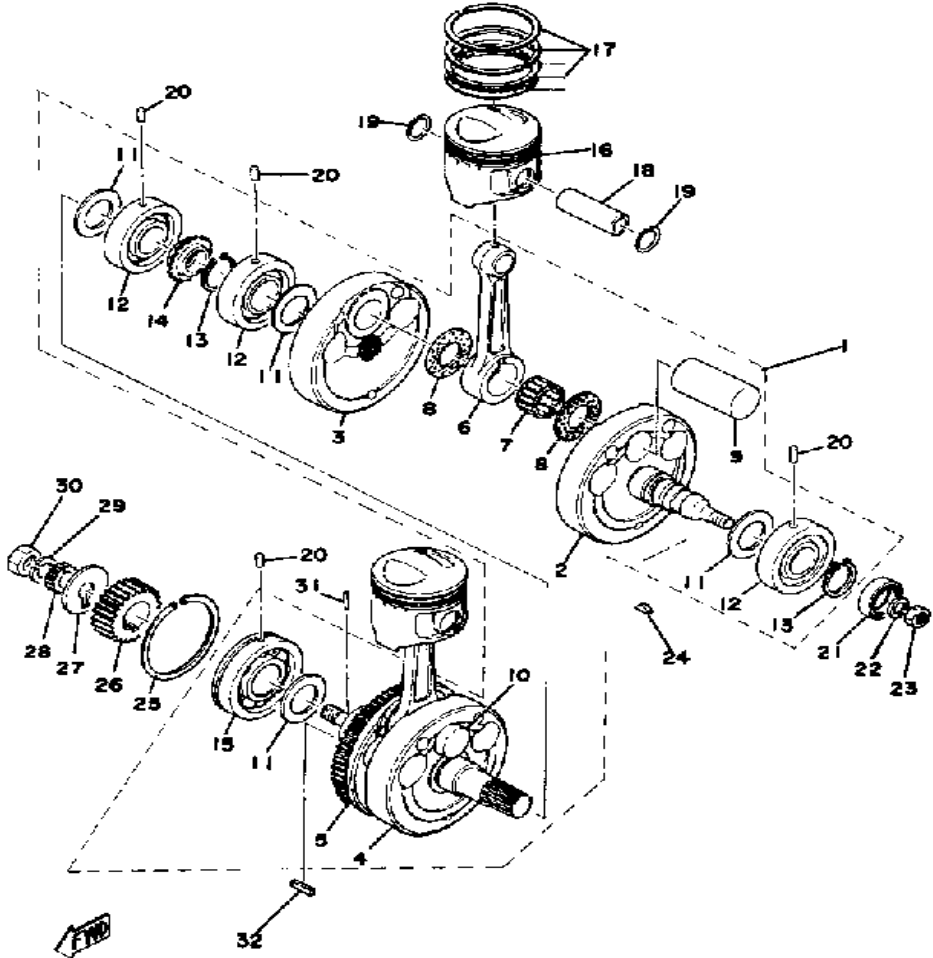
Ref. No.	Part Number	Description	Qty	Remarks
22	92990-08200-00	WASHER, PLAIN	4	
23	95303-08800-00	NUT (CROWN) (95301-08800) .	4	
24	93210-45150-00	O-RING	2	
25	256-11146-00-00	GASKET, BREAKER CVR	2	
26	256-11157-03-00	COVER, BREAKER 1	2	
27	92990-06200-00	WASHER, PLAIN	2	
28	98503-06014-00	SCREW, PAN HEAD	2	
29	92990-06500-00	WASHER	6	
30	98701-06014-00	SCREW, FLAT HEAD	6	
31	256-11158-01-00	COVER, BREAKER 2	2	
32	92903-06020-00	UNAVAILABLE IN PRICE BOOK (92501-06020)	4	
33	90338-12044-00	PLUG, SPECL SHAPE	1	
34	CMP-N7YC0-00-00	CHAMPION N7YC 4PK	2	U.R. CHAMPION
	NGK-BP7ES-00-00	PLUG, SPARK (NGK BP-7ES) .	2	U.R.
35	584-11108-00-00	BREATHER COVER ASSEMBLY	1	
36	256-11169-01-00	GASKET, BRTHR COVER	1	
37	91316-06060-00	BOLT	4	
38	584-11166-00-00	PIPE, BREATHER 1	2	
39	90501-08046-00	SPRING, COMPRESSION	2	
40	90467-14015-00	CLIP	4	
41	(447-11135-00-00)	PLATE, BREATHER 3	1	

CYLINDER XS650D - E - E006501~ - F



Ref. No.	Part Number	Description	Qty	Remarks
1	(306-11310-01-00)	CYLINDER	1	
2	99530-14016-00	PIN, DOWEL	4	
3	90116-10108-00	BOLT, STUD	8	M10-280I
4	93210-81731-00	O-RING	2	
5	256-11351-01-00	GASKET, CYLINDER	1	
6	(2F0-00000-20-00)	GSKTKT XS650E/F	111	SEE GRID I-1 KIT COMPONENT PRT
	306-11181-09-00	GASKET, CYLH 1	1	
7	97313-08035-00	BOLT, HEXAGON	2	
8	92990-08200-00	WASHER, PLAIN	2	
9	97013-06035-00	BOLT	1	
10	92990-06200-00	WASHER, PLAIN	1	
11	256-11395-02-00	HOLDER	2	
12	90430-11033-00	GASKET	2	

CRANK - PISTON XS650D - E - E006501



XS650D

Piston Skirt Clearance (new/max.)	.050 ~ .055mm (.0020 ~ .0022") / 0.1mm (.004")
Ring End Gap (top/2nd/3rd)	0.2 ~ 0.4mm (.008 ~ .016") / Same / ϕ
Ring Groove Clearance (top/2nd/3rd)	.04 ~ .08mm (.0016 ~ .0032") / .03 ~ .07mm / ϕ

XS650E

Piston Skirt Clearance new/max.	.050 ~ .055mm / 0.1mm
Ring End Gap top/2nd/3rd	0.2 ~ 0.4mm / same / 0.3 ~ 0.9mm

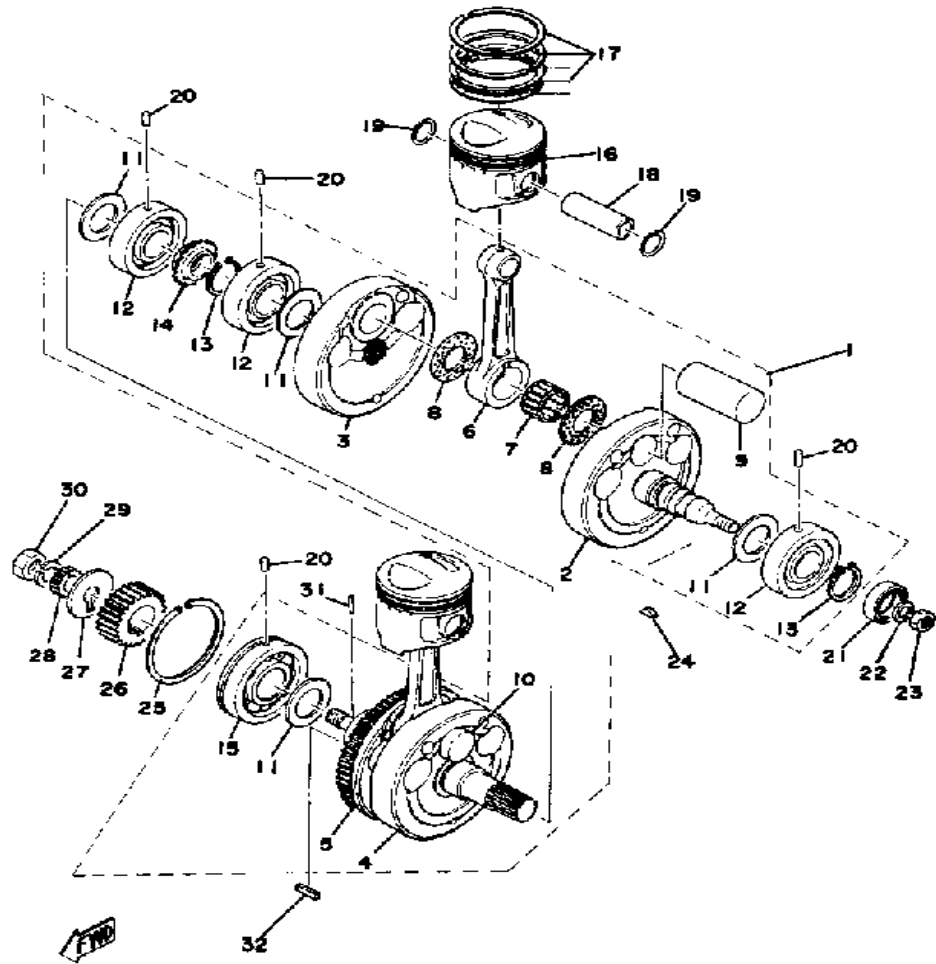
XS650F

Piston Skirt Clearance new/max.	0.050 ~ 0.055mm / 0.1mm
Ring End Gap top/2nd/3rd	0.2 ~ 0.4mm / 0.2 ~ 0.4mm / 0.3 ~ 0.9mm

Ref. No.	Part Number	Description	Qty	Remarks
1	447-11400-01-00	CRANKSHAFT ASSEMBLY	1	
2	(256-11412-01-00)	CRANK 1	1	
3	(256-11422-01-00)	CRANK 2	1	
4	(256-11432-02-00)	CRANK 3	1	
5	(306-11442-03-00)	CRANK 4	1	
6	447-11651-00-00	. ROD, CONNECTING	2	
7	93310-62660-00	. BEARING, CYLINDER.# 0	2	
8	90209-26014-00	. WASHER, SPEC'L SHAP	4	
9	306-11681-00-00	. PIN, CRANK 1	1	
10	306-11681-00-00	. PIN, CRANK 1	1	
11	256-11561-00-00	. SHIM, CRANK 1	4	
12	93390-00003-00	. BEARING, CYLINDER. # 0	3	
13	93410-32052-00	. CIRCLIP	2	
14	447-11549-01-00	. SPROCKET, CAM CHAIN	1	
15	93306-30604-00	. BEARING	1	
16	(447-11630-00-00)	PISTON KIT STD	1	ALT. PART
	(447-11630-10-00)	PISTON KIT 1ST	1	ALT. PART
	(447-11630-20-00)	PISTON KIT 2ND	1	ALT. PART
	(447-11630-30-00)	PISTON KIT 3RD	1	ALT. PART
	(447-11630-40-00)	PISTON KIT 4TH	1	ALT. PART
	447-11631-01-96	PISTON STD (447-11631-01-97)	2	
	447-11635-01-00	PISTON 1 O/S 0.5	2	ALT. PART
	447-11636-01-00	PISTON 2 O/S 0.0	2	ALT. PART
	447-11637-01-00	PISTON 3 O/S 0.5	2	ALT. PART
	447-11638-01-00	PISTON 4 O/S 1.0	2	ALT. PART
17	447-11610-00-00	PISTON RINGSET STD	2	
	447-11610-10-00	PISTON RINGSET 1ST	2	ALT. PART
	447-11610-20-00	PISTON RINGSET 2ND	2	ALT. PART
	447-11610-30-00	PISTON RINGSET 3RD	2	ALT. PART

CONTINUED ON NEXT FRAME ➤

CRANK - PISTON XS650D - E - E006501



Ref. No.	Part Number	Description	Qty	Remarks
17	447-11610-40-00	PISTON RINGSET 4TH	2	ALT. PART
18	447-11633-00-00	PIN, PISTON	2	
19	93450-22027-00	CIRCLIP	4	
20	93605-12069-00	PIN, DOWEL	4	
21	93102-25121-00	OIL SEAL, SD-TYPE	1	
22	92901-12100-00	WASHER, SPRING	1	
23	90170-12064-00	NUT, HEXAGON	1	
24	90280-04005-00	KEY, WOODRUFF	1	
25	93440-78011-00	CIRCLIP, OUTER	1	
26	(256-16111-00-00)	GEAR, PRI DRIVE	1	
27	90201-16579-00	WASHER, PLATE	1	
28	(256-13324-01-00)	GEAR, PUMP DRIVE	1	
29	92901-14100-00	WASHER, SPRING	1	
30	90170-14076-00	NUT, HEXAGON	1	
31	93603-17070-00	PIN, DOWEL	1	
32	90282-07023-00	KEY, STRAIGHT	1	

XS650D

Piston Skirt Clearance (new/max.)	.050 ~ .055mm (.0020 ~ .0022") / 0.1mm (.004")
Ring End Gap (top/2nd/3rd)	0.2 ~ 0.4mm (.008 ~ .016") / Same / ϕ
Ring Groove Clearance (top/2nd/3rd)	.04 ~ .08mm (.0016 ~ .0032") / .03 ~ .07mm / ϕ

XS650E

Piston Skirt Clearance new/max.	.050 ~ .055mm / 0.1mm
Ring End Gap top/2nd/3rd	0.2 ~ 0.4mm / same / 0.3 ~ 0.9mm

XS650F

Piston Skirt Clearance new/max.	0.050 ~ 0.055mm / 0.1mm
Ring End Gap top/2nd/3rd	0.2 ~ 0.4mm / 0.2 ~ 0.4mm / 0.3 ~ 0.9mm

CAMSHAFT - CHAIN TENSIONER XS650D -

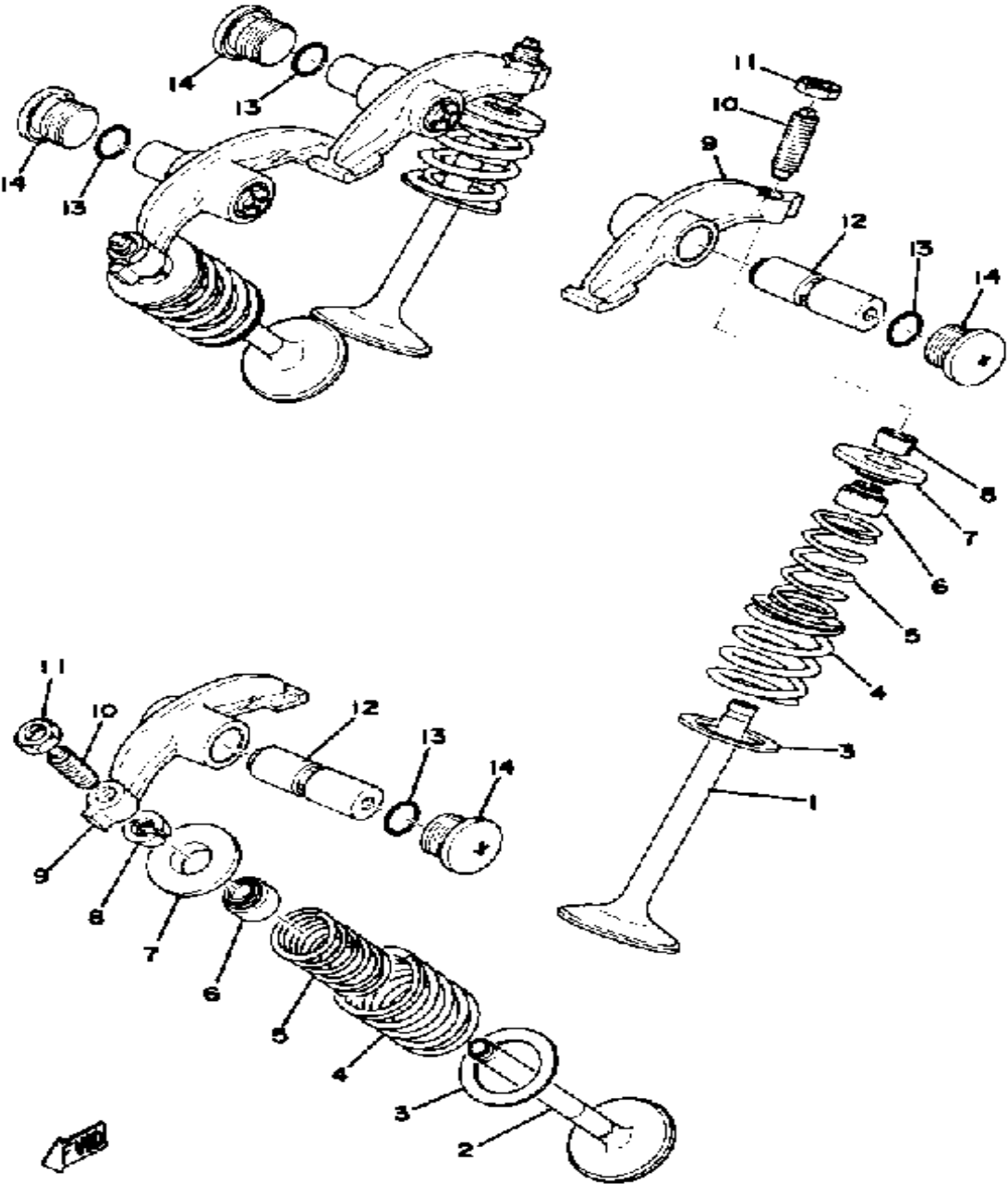
Ref. No.	Part Number	Description	Qty	Remarks
1	447-12170-00-00	CAMSHAFT ASSEMBLY 1	1	
2	90386-12093-00	. BUSH	2	
3	256-11155-00-00	. SEAL, LABYRINTH	2	
4	93316-00503-00	BEARING, CYLINDER.#16 (93316-00504)	4	
5	93101-25044-00	OIL SEAL, S-TYPE	2	
6	256-11156-00-00	SHAFT, BREAKER	1	
7	93603-07073-00	PIN, DOWEL	3	
8	95380-06600-00	NUT, HEXAGON	2	
9	92995-06100-00	WASHER, SPRING	2	
10	256-81621-11-00	. CONTACT BRKR ASSEMBLY	2	
	256-81625-10-00	. CONDENSER 1	1	N/A SEPARATELY
	447-12220-00-00	GUIDE, STOPPER 2	1	
	ACC-01100-37-11	TUNEKIT XS650CDESE	1	TUNE-UP KIT
	NGK-BP7ES-00-00	. PLUG, SPARK (NGK BP-7ES)	2	
11	90149-06009-00	SCREW, SPEC'L SHAPE	2	
12	98503-06014-00	SCREW, PAN HEAD	2	
13	92995-06100-00	WASHER, SPRING	4	
14	306-12213-02-00	GASKET, TENSNR CASE	1	
15	584-12211-00-00	HOLDER, TENSIONER	1	
16	97023-06020-00	BOLT (3XF)	4	
	97023-06020-00	BOLT (3XF)	6	
	97023-06020-00	BOLT (3XF)	6	501~
17	(90109-06019-00)	BOLT	2	
18	92990-06200-00	WASHER, PLAIN	6	
19	341-12217-03-00	ROD, CHN TENSIONER	1	
20	90501-14095-00	SPRING, COMPRESSION	1	
21	341-12232-01-00	DAMPER	1	
22	(99999-01144-00)	BOLT (3G1)	1	

CONTINUED ON NEXT FRAME ►

CAMSHAFT - CHAIN TENSIONER XS650D -

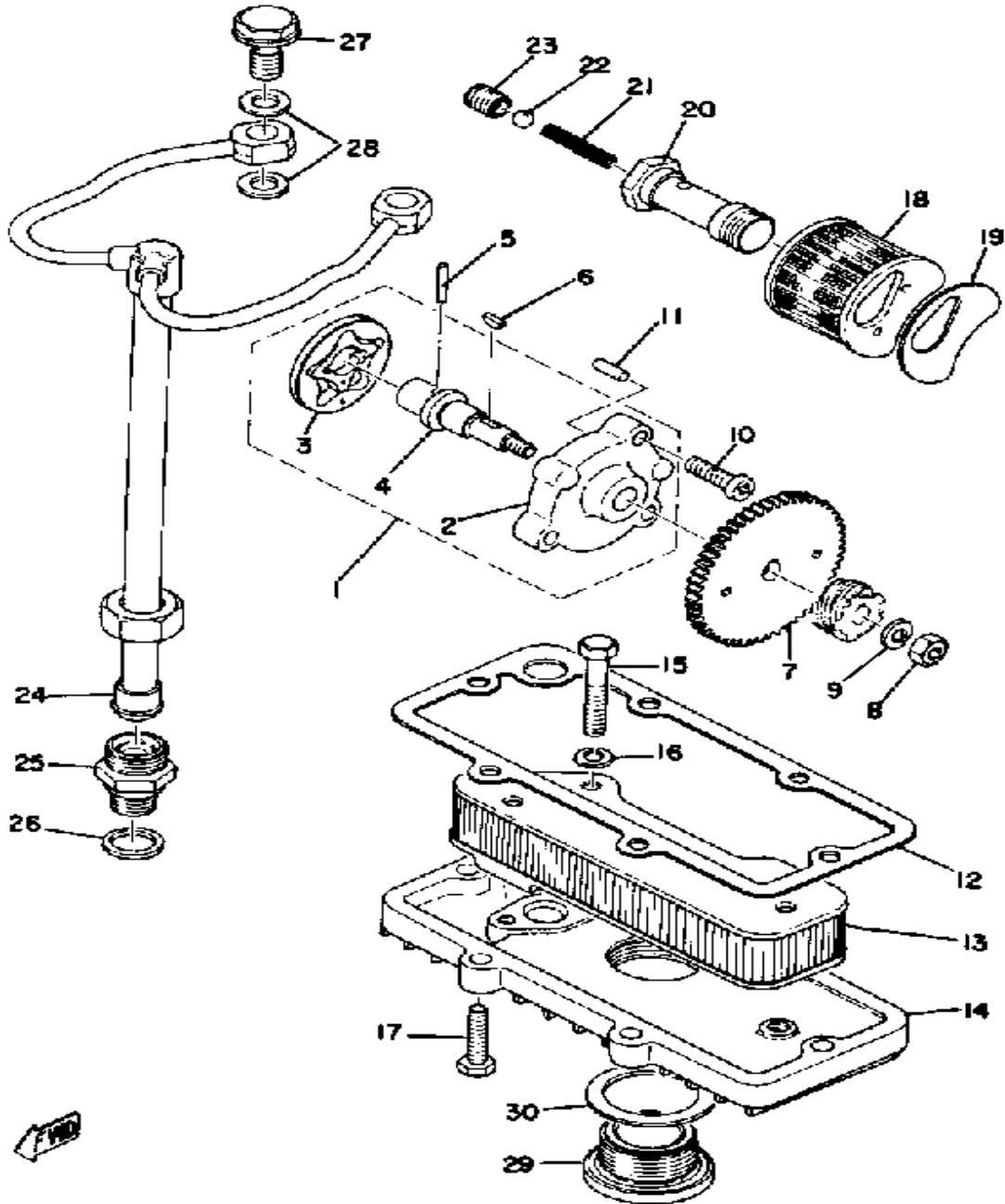
Ref. No.	Part Number	Description	Qty	Remarks
22	2H0-12232-00-00	. DAMPER	1	
	90109-18580-00	. BOLT	1	
23	93210-21190-00	O-RING	1	
24	90176-18021-00	NUT, CROWN	1	
25	256-12231-01-00	GUIDE, STOPPER 1	1	
26	90430-06014-00	GASKET	2	
27	97023-06020-00	BOLT (3XF)	2	
28	94500-02106-00	CHAIN	1	U.R.
	94562-19106-00	CHAIN	1	U.R.
29	94600-02001-00	. JOINT, CHAIN (BF05M)	1	
	94662-19001-00	. JOINT CHAIN	1	U.R.
30	256-81653-10-00	GOVERNOR ASSEMBLY	1	
31	256-81651-10-00	CAM	1	
32	447-81620-10-00	BREAKER PLATE ASSEMBLY	1	
33	256-81621-11-00	. CONTACT BRKR ASSEMBLY	2	
34	256-81631-10-00	. LUBRICATOR	2	
35	256-81615-10-00	. WIRE, LEAD	1	
36	97601-04106-00	. SCREW, PN/HD.W/WSHR ...	6	
37	92901-04100-00	. WASHER, SPRING	6	
	92990-04200-00	. WASHER	6	
38	92990-04200-00	. WASHER	6	
	92990-04200-00	. WASHER	6	5015

VALVE - ROCKER ARM XS650D - E - E00



Ref. No.	Part Number	Description	Qty	Remarks
1	341-12111-04-00	VALVE, INTAKE 4	2	
2	341-12121-01-00	VALVE, EXHAUST 1	2	
3	256-12116-01-00	SEAT, VALVE SPRING	4	
4	90501-42286-00	SPRING, COMPRESSION	4	
5	90501-29284-00	SPRING, COMPRESSION	4	
6	341-12119-02-00	SEAL, VALVE STEM	4	
7	256-12117-02-00	RETAINER, VALVE SPR	4	
8	341-12118-00-00	COTTER, VALVE	8	
9	306-12151-00-00	ARM, VALVE ROCKER	4	
10	90149-08098-00	SCREW, SPEC'L SHAPE	4	
11	90170-08173-00	NUT	4	
12	256-12156-01-00	SHAFT, ROCKER	4	
13	93210-17143-00	O-RING	4	
14	90340-18017-00	PLUG, STRAIGHT SCRW	4	

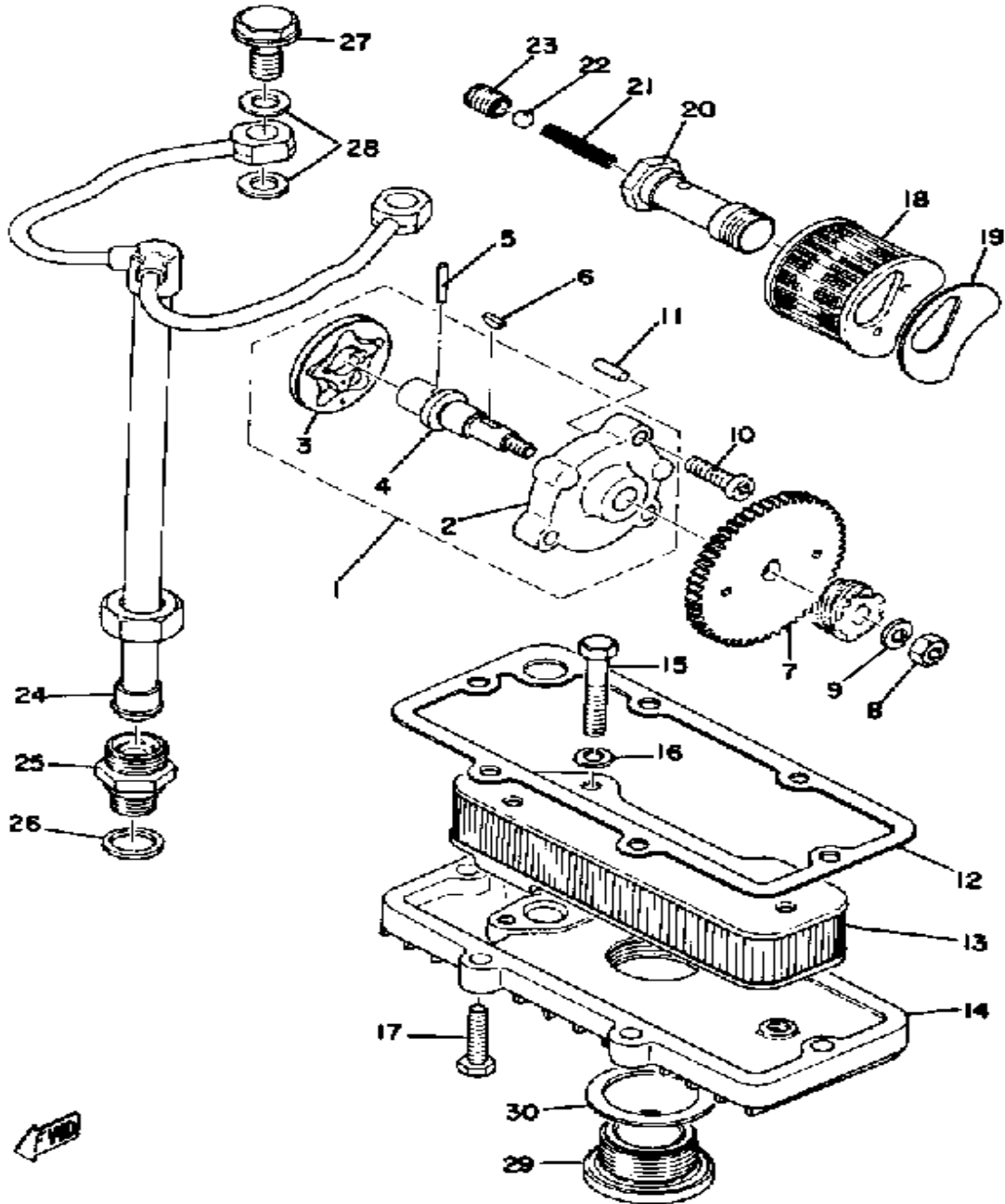
OIL PUMP XS650D - E - E006501~ - F



Ref. No.	Part Number	Description	Qty	Remarks
1	256-00001-01-00	COVER, PUMP	1	
2	256-13316-02-00	. COVER, PUMP	1	
3	256-13310-02-00	. ROTOR ASSEMBLY 1	1	
4	256-13314-02-00	. SHAFT, PUMP	1	
5	93603-17070-00	PIN, DOWEL	1	
6	90280-03023-00	KEY, WOODRUFF	1	
7	256-13325-00-00	GEAR, PUMP DRIVEN	1	
8	95380-06600-00	NUT, HEXAGON	1	
9	92995-06100-00	WASHER, SPRING	1	
10	98580-06020-00	SCREW, PAN HEAD	3	
11	93604-12037-00	PIN, DOWEL	2	
12	256-13414-00-00	GASKET, STRNR COVER	1	
13	256-13411-01-00	STRAINER, OIL	1	
14	256-13417-00-00	COVER, STRAINER	1	
15	97313-06045-00	BOLT, HEXAGON	3	
16	92995-06100-00	WASHER, SPRING	3	
17	97011-06025-00	BOLT (97001-06025)	6	
18	256-13441-00-00	ELEMENT, OIL CLNR	1	
19	256-13445-00-00	GASKET, ELEMENT	1	
20	256-13495-00-00	SCREW	1	
21	90501-07031-00	SPRING, COMPRESSION	1	
22	93501-04011-00	BALL	1	
23	90149-10019-00	SCREW, SPEC'L SHAPE	1	
24	256-13161-01-00	PIPE, DELIVERY 1	1	
25	256-13165-02-00	BOLT, BANJO	1	
26	90430-14043-00	GASKET	1	
27	90401-10004-00	BOLT, UNION	2	
28	90430-10171-00	GASKET (90430-10148-00)	4	
29	256-15351-00-00	PLUG, DRAIN	1	

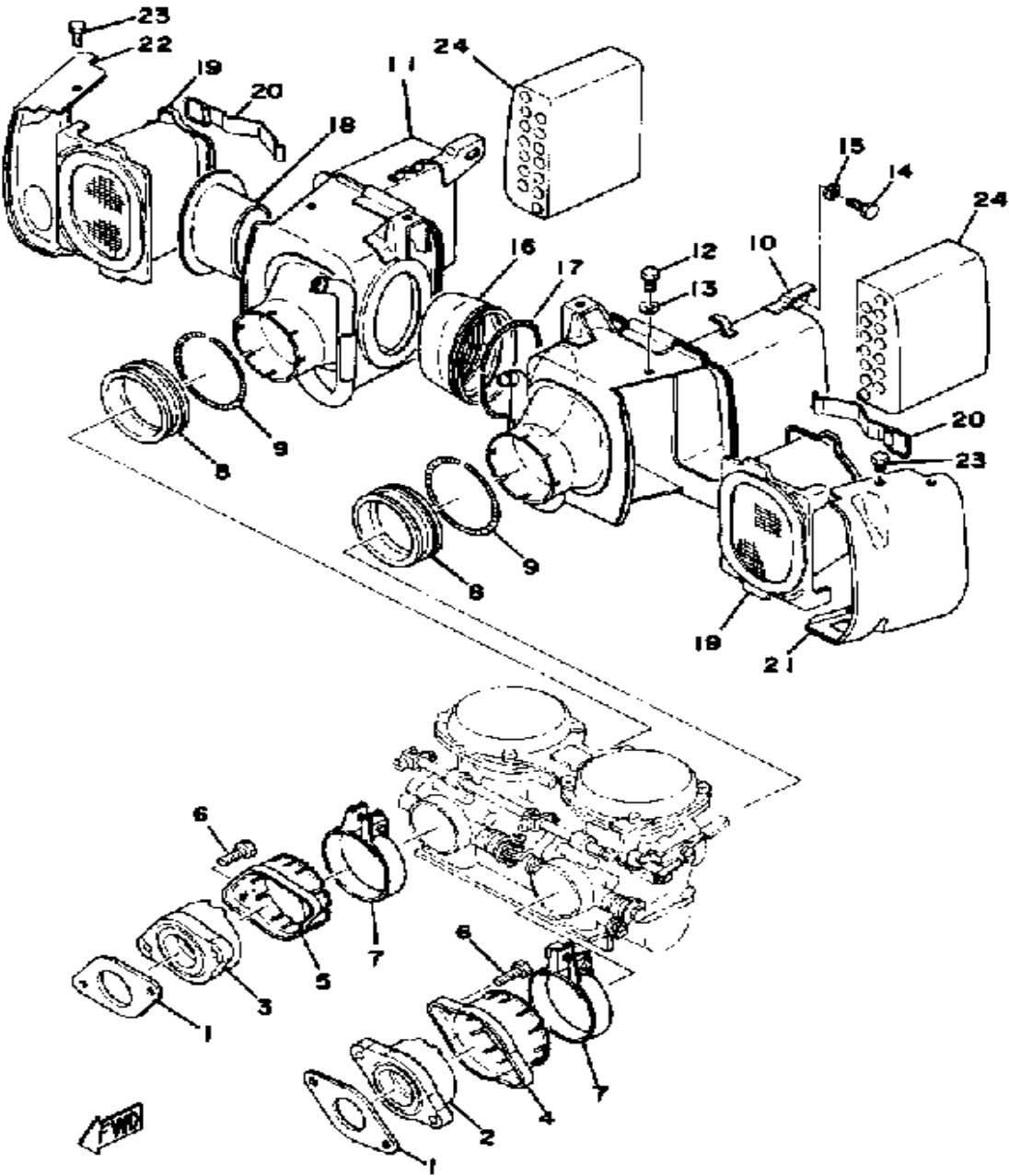
CONTINUED ON NEXT FRAME ➤

OIL PUMP XS650D - E - E006501~ - F



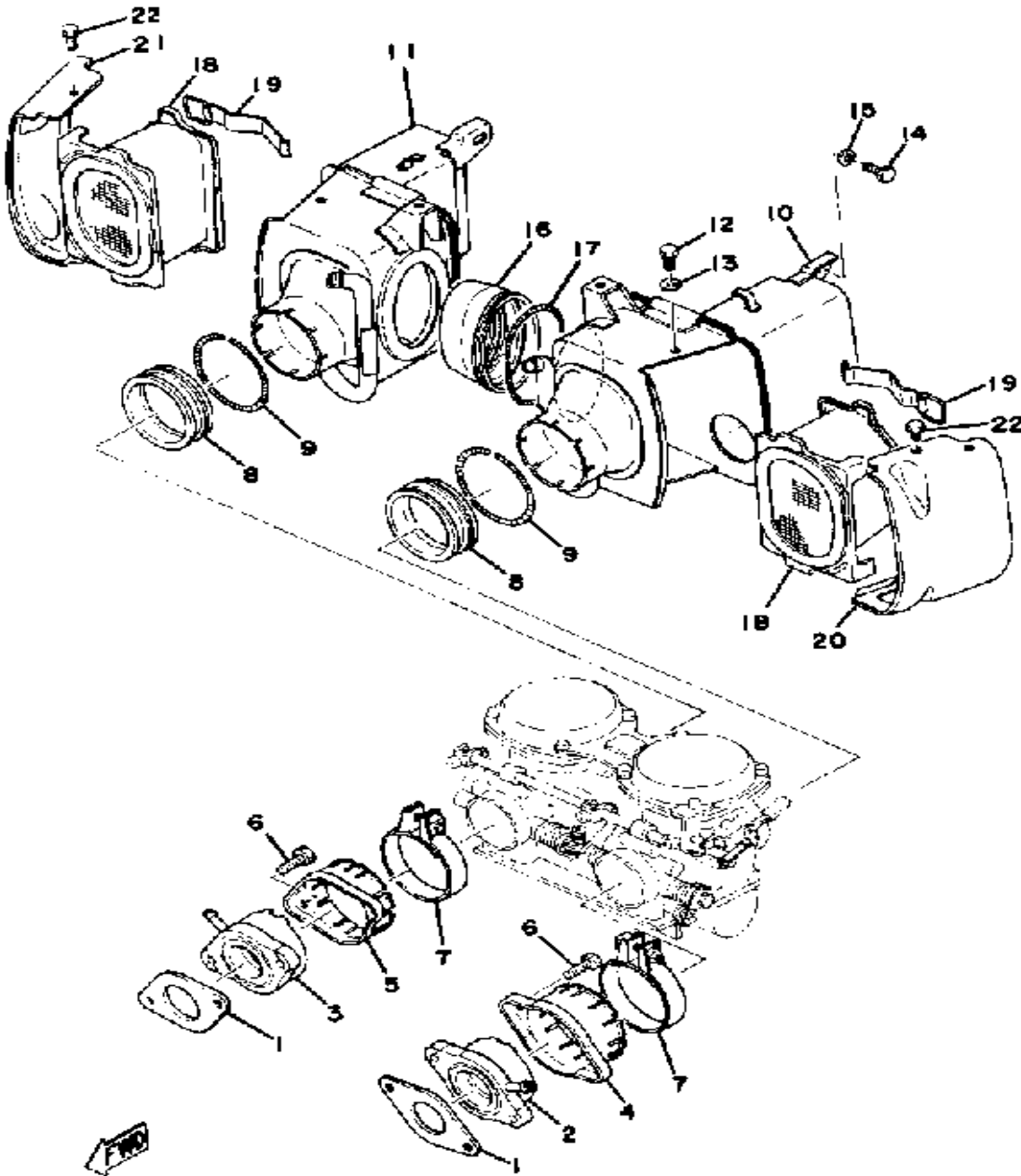
Ref. No.	Part Number	Description	Qty	Remarks
30	256-15353-00-00	GASKET, DRAIN	1	

INTAKE XS650D



Ref. No.	Part Number	Description	Qty	Remarks
1	256-13556-01-00	GASKET, MANIFOLD	2	
2	447-13555-01-00	MANIFOLD, INTAKE	1	
3	447-13565-01-00	JOINT, CARBURETOR	1	
4	447-13564-00-00	COVER, CARB.JOINT	1	
5	447-13584-00-00	COVER, CARB.JOINT	1	
6	91316-06020-00	BOLT	4	
7	90460-58015-00	CLAMP, HOSE	2	
8	341-14453-00-00	JOINT, AIR CLNR 1	2	
9	90506-06006-00	SPRING, TENSION (256-14487-00)	2	
10	(584-14411-00-00)	CASE, AIR CLEANER 1	1	
11	(584-14421-00-00)	CASE, AIR CLEANER 2	1	
12	97313-06016-00	BOLT, HEXAGON	4	
13	92990-06200-00	WASHER, PLAIN	4	
14	97011-06025-00	BOLT (97001-06025)	2	
15	92995-06100-00	WASHER, SPRING	2	
16	447-14463-01-00	JOINT, AIR CLNR 2	1	
17	90506-06095-00	SPRING, tension	1	
18	(447-14454-00-00)	JOINT	1	
19	533-14451-00-00	ELEMENT, AIR CLNR	2	
20	533-14468-02-00	PLATE, ELEMENT FTNG	2	
21	(447-14412-01-00)	CAP, CLEANER CASE 1	1	
22	447-14422-01-00	CAP, CLEANER CASE 2	1	
23	97011-06010-00	BOLT (97021-06010)	2	
24	533-14441-00-00	SILENCER, INTAKE 2	2	

INTAKE XS650E - F

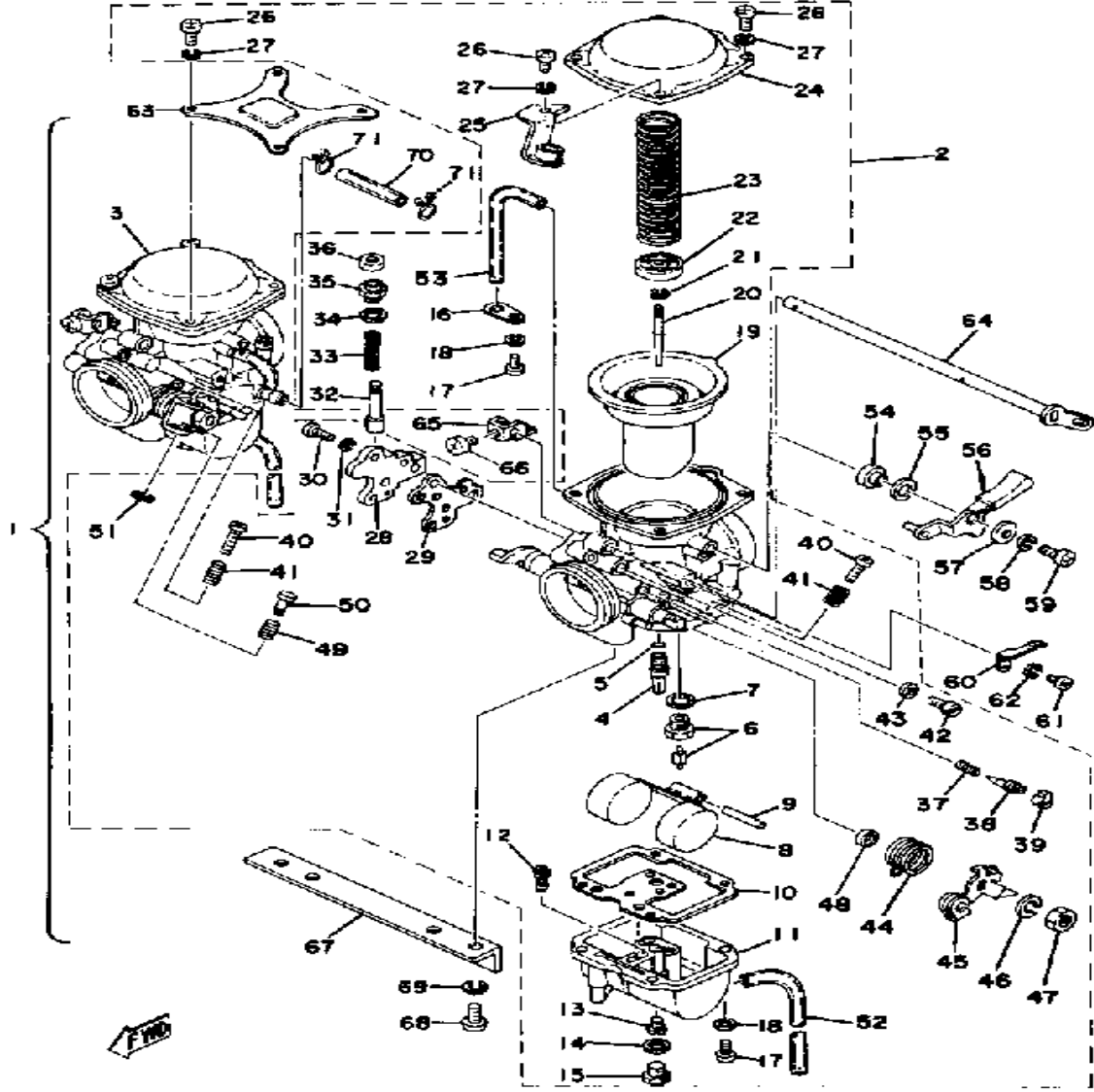


Ref. No.	Part Number	Description	Qty	Remarks
1	256-13556-01-00	GASKET, MANIFOLD	2	
2	2F0-13586-00-00	JOINT, CARBURETOR 1	1	
3	2F0-13596-00-00	JOINT, CARBURETOR 2	1	
4	2F0-13564-00-00	COVER, CARB.JOINT	1	
5	2F0-13584-00-00	COVER, CARB.JOINT	1	
6	91316-06020-00	BOLT	4	
7	90460-58015-00	CLAMP, HOSE	2	
8	341-14453-00-00	JOINT, AIR CLNR 1	2	
9	90506-06006-00	SPRING, TENSION (256-14487-00)	2	
10	(1E1-14411-00-00)	CASE, AIR CLEANER 1	1	
11	(1E1-14421-00-00)	CASE, AIR CLEANER 2	1	
12	97301-06014-00	BOLT, HEXAGON	4	
	97313-06016-00	BOLT, HEXAGON	4	
13	92990-06200-00	WASHER, PLAIN	4	
14	97011-06025-00	BOLT (97001-06025)	2	
15	92995-06100-00	WASHER, SPRING	2	
16	447-14463-01-00	JOINT, AIR CLNR 2	1	
17	90506-06095-00	SPRING, tension	1	
18	533-14451-00-00	ELEMENT, AIR CLNR	2	
19	533-14468-02-00	PLATE, ELEMENT FTNG	2	
20	(447-14412-01-00)	CAP, CLEANER CASE 1	1	
21	447-14422-01-00	CAP, CLEANER CASE 2	1	
22	97011-06010-00	BOLT (97021-06010)	2	

CARBURETOR XS650D

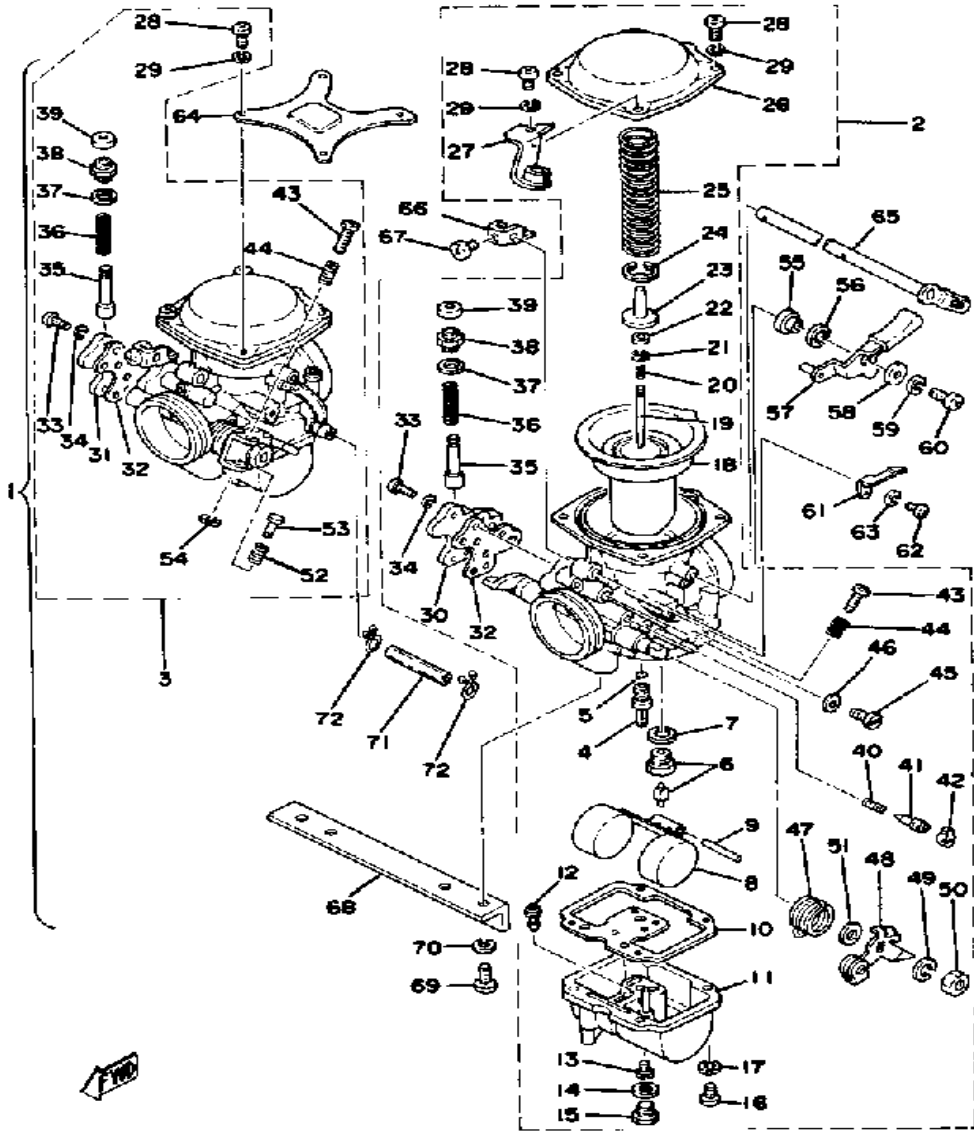
Ref. No.	Part Number	Description	Qty	Remarks
----------	-------------	-------------	-----	---------

1 UNA-VAILA-BL-EI 00



CARBURETOR (mfr.) (type) (I.D. number)	Mikuni / BS38 / 58400
Main Jet	No. 122.5 / M.A.J. 1.0
Needle Jet	Z-8
Jet Needle/Clip Position	4M1-3
Cutaway	No. 120
Pilot Jet	No. 25
Air Jet	(1.0) (1.4)
Starter Jet	No. 1; No. 80 / No. 2; 0.5
Air Screw (turns out) (idle speed)	1½ ± ½ (mixture screw - with cap removed)
Float Level	25.0 = 1.0mm

CARBURETOR XS650E

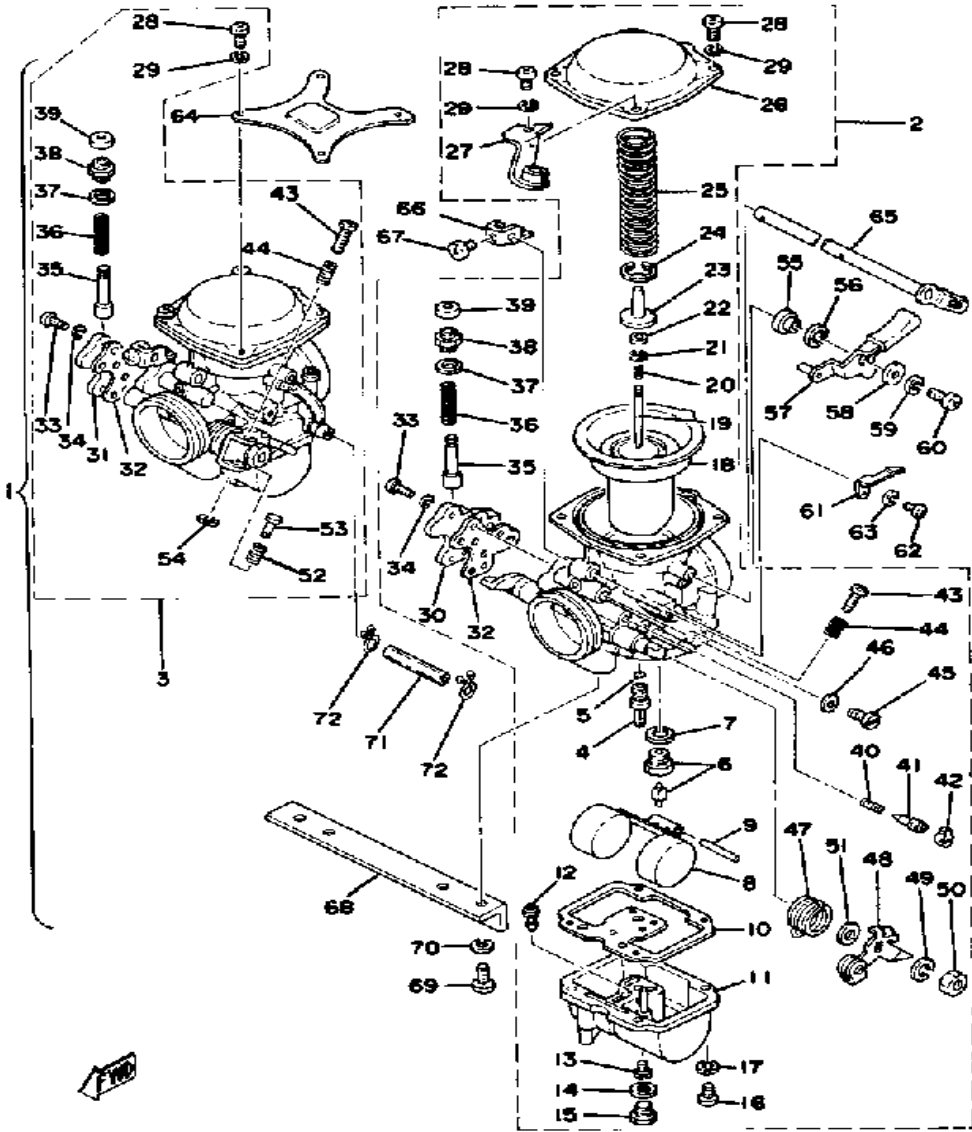


CARBURETOR - mfr./type/I.D. number	Mikuni / BS38 / 2F0 00
Main Jet/Pilot Jet	135 / 27.5
Needle Jet/Jet Needle-Clip Position	Z-2 / 502-3
Slide Cutaway or Throttle Valve	120
Float Level	24mm ± 1mm
Mixture Screw - turns out/idle rpm	2 1/4 / 1200 ± 50 rpm

Ref. No.	Part Number	Description	Qty	Remarks
	UNA-VAILA-BL-EI	0 0		
1	(2F0-14901-00-00)	CARBURETOR ASSEMBLY 1	1	
2	(2F0-14902-00-00)	CARBURETOR ASSEMBLY 2	1	
3	2F0-14941-82-00	.. NOZZLE, MAIN	2	
4	93210-03142-00	.. O-RING	2	
5	168-14190-20-00	.. VALVE, SEAT ASSY	2	
6	214-14195-00-00	.. WASHER, NEEDLE VALVE	2	
7	256-14985-00-00	.. FLOAT	2	
8	127-14186-00-00	.. PIN, FLOAT	2	
9	256-19840-00-0	.. UNAVAILABLE IN PRICE BOOK	2	
10	(1J7-14981-09-00)	BODY, FLOAT CHAMBER	2	
11	584-14142-27-A0	.. JET, PILOT #27 5	2	
12	256-14944-26-00	.. JET, MAIN 130 (#130)	2	U.R.
13	3G2-14231-27-00	.. JET, MAIN (#135)	2	U.R. STD
14	3G2-14231-28-00	.. JET, MAIN (140)	2	U.R.
15	256-14956-01-00	.. WASHER	2	
16	1A0-14991-00-00	.. SCREW	2	
17	98511-04012-00	.. SCREW, PAN HEAD	8	
18	92901-04100-00	.. WASHER, SPRING	8	
19	2F0-14940-00-00	.. DIAPHRAGM ASSEMBLY	2	
20	2F0-14116-02-00	.. NEEDLE	2	
21	2F0-14589-00-00	.. SPRING	2	
22	256-14919-00-00	.. CLIP	2	
23	2F0-14918-00-00	.. RING	2	
24	(2F3-14946-00-00)	PLATE, NEEDLE FTNG	2	
25	2F0-14919-00-00	.. CLIP	2	
26	(2F0-14933-00-00)	SPRING, DIAPHRAGM	2	
27	(256-14958-00-00)	COVER, DIAPHRAGM	2	

CONTINUED ON NEXT FRAME ➤

CARBURETOR XS650E

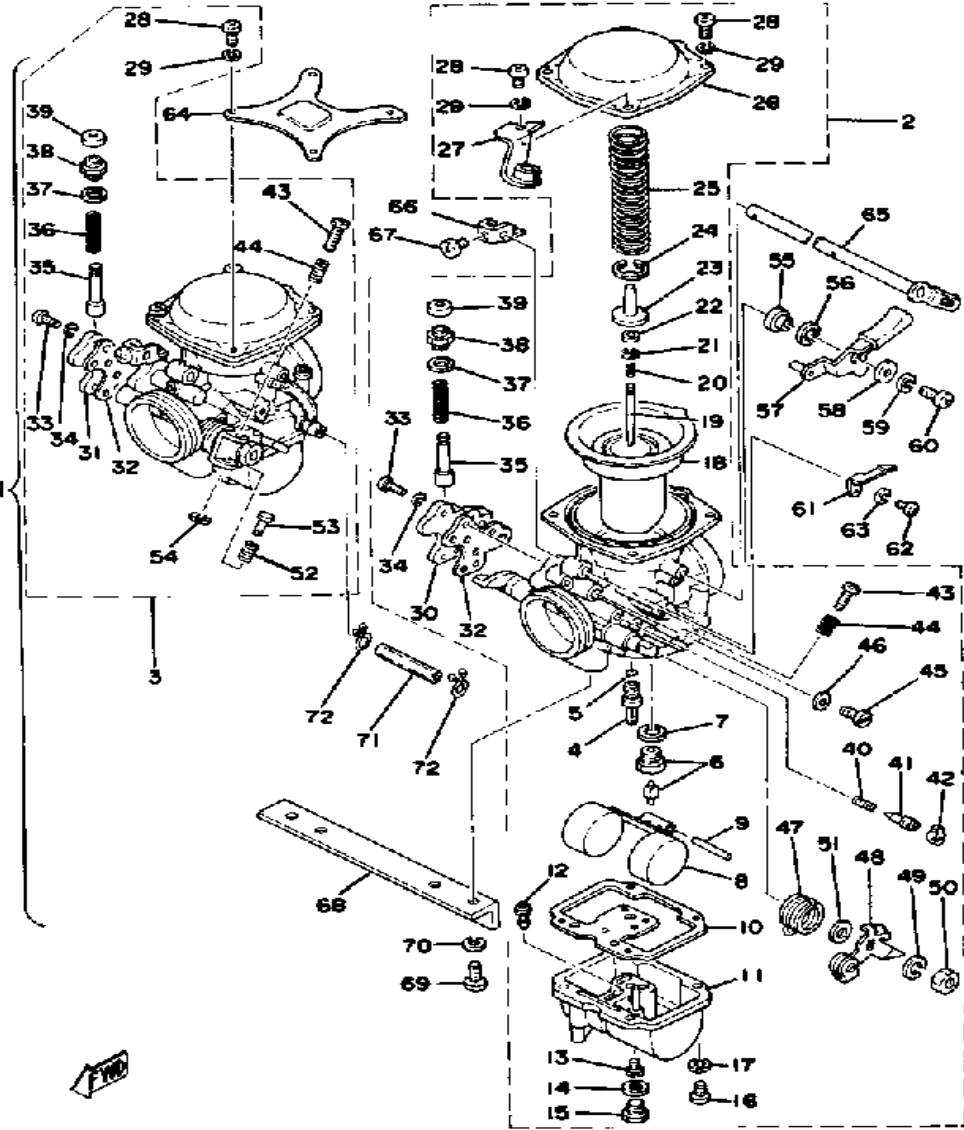


CARBURETOR - mfr./type/I.D. number	Mikuni / BS38 / 2F0 00
Main Jet/Pilot Jet	135 / 27.5
Needle Jet/Jet Needle-Clip Position	Z-2 / 502-3
Slide Cutaway or Throttle Valve	120
Float Level	24mm ± 1mm
Mixture Screw - turns out/idle rpm	2 1/4 / 1200 ± 50 rpm

Ref. No.	Part Number	Description	Qty	Remarks
27	(447-14926-00-00)	BRACKET, THROTTLE 1	1	
28	98580-05016-00	.. SCREW, PAN HEAD	8	
29	92990-05100-00	.. WASHER, SPRING	8	
30	(2F0-14907-00-00)	BODY, STARTER	1	
31	(1A8-14907-00-00)	BODY, STARTER	1	
32	447-14979-00-00	.. GASKET, STARTER	2	
33	98511-04012-00	.. SCREW, PAN HEAD	6	
34	92901-04100-00	.. WASHER, SPRING	6	
35	584-14171-00-00	.. PLUNGER, STARTER	2	
36	256-14135-00-00	.. SPRING, PLUNGER	2	
37	256-14954-00-00	.. WASHER	2	
38	584-14176-00-00	.. LEVER, STARTER 2	2	
39	306-14173-00-00	.. COVER, PLUNGER CAP	2	
40	2F0-14134-00-00	.. SPRING, AIR ADJUSTING	2	
41	2F0-14923-00-00	.. SCREW, PILOT	2	
42	584-14969-00-00	.. CAP	2	
43	256-14922-01-00	.. SCREW, THROTTLE	2	
44	256-14934-01-00	.. SPRING, THRTL STOP	2	
45	341-14991-00-00	.. SCREW	2	
46	584-14956-00-00	.. WASHER	2	
47	584-14931-00-00	.. SPRING, THRTL LEVER	1	
48	(306-14964-00-00)	LEVER, THROTTLE 2	1	
49	92990-08100-00	.. WASHER, SPRING	2	
50	95303-12600-00	.. NUT	2	
51	(306-14970-00-00)	VALVE, THROTTLE	1	
52	(584-14934-00-00)	SPRING, THRTL STOP	1	
53	584-14992-00-00	.. ROD	1	
54	(584-14937-00-00)	CLIP	1	
55	256-14918-00-00	.. RING	1	

CONTINUED ON NEXT FRAME ➤

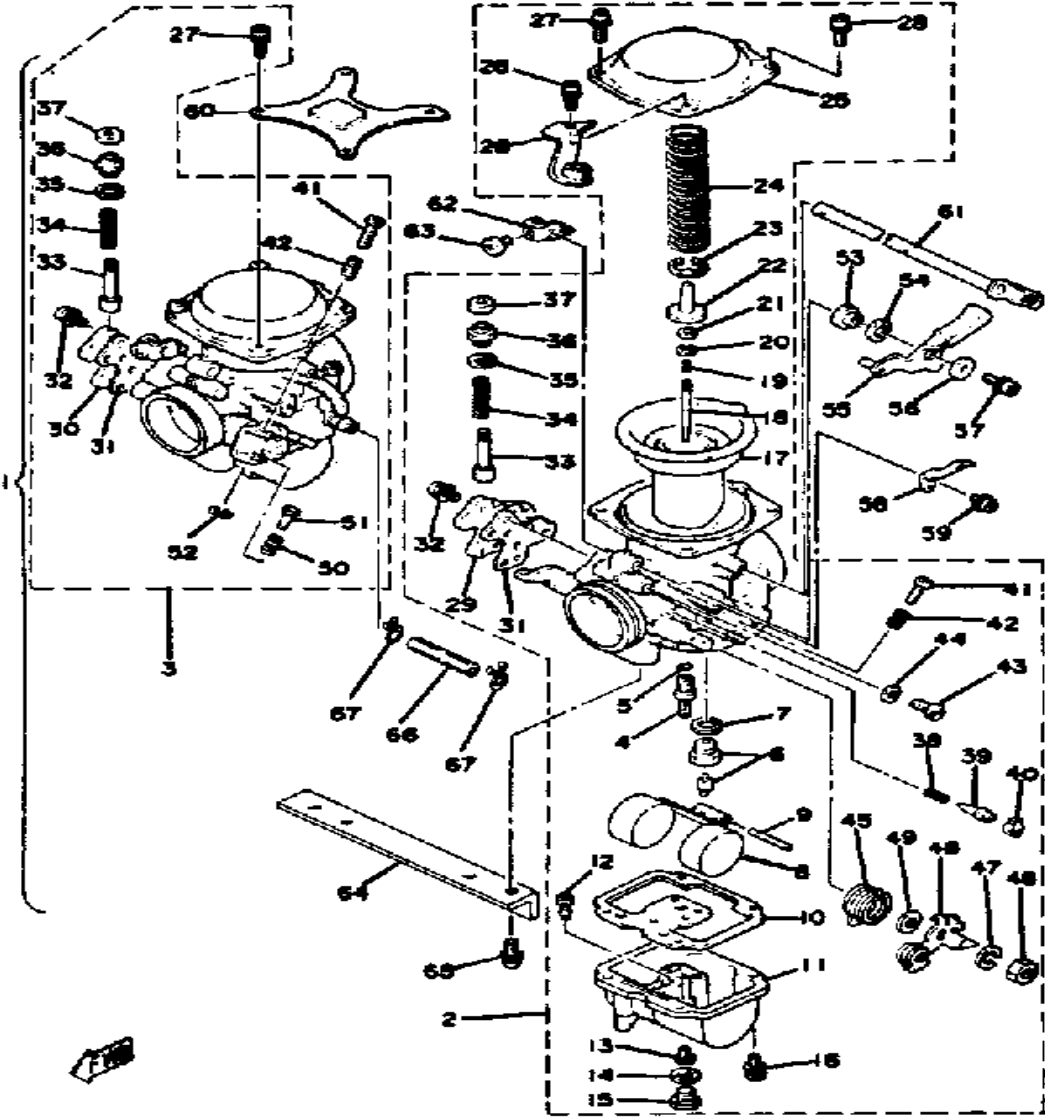
CARBURETOR XS650E



Ref. No.	Part Number	Description	Qty	Remarks
56	584-14955-00-00	. WASHER	1	
57	306-14905-02-00	. LEVER, STARTER	1	
58	256-14952-00-00	. WASHER	1	
59	92901-04100-00	. WASHER, SPRING	1	
60	98511-04012-00	. SCREW, PAN HEAD	1	
61	584-14938-00-00	. SPRING	1	
62	98511-04006-00	. SCREW, PAN HEAD	1	
63	92901-04100-00	. WASHER, SPRING	1	
64	(584-14243-00-00)	PLATE	1	
65	(2F0-14977-00-00)	SHAFT, STARTER LVR	1	
66	2F0-14905-00-00	. LEVER, STARTER	2	
67	584-14991-00-00	. SCREW	2	
68	(584-14146-00-00)	PLATE	1	
69	98503-06014-00	. SCREW, PAN HEAD	4	
70	92995-06100-00	. WASHER, SPRING	4	
71	(306-14988-00-00)	PIPE, STARTER CON	1	
72	(341-14919-00-00)	CLIP	2	

CARBURETOR — mfr./type/I.D. number	Mikuni / BS38 / 2F0 00
Main Jet/Pilot Jet	135 / 27.5
Needle Jet/Jet Needle-Clip Position	Z-2 / 502-3
Slide Cutaway or Throttle Valve	120
Float Level	24mm ± 1mm
Mixture Screw — turns out/idle rpm	2 1/4 / 1200 ± 50 rpm

CARBURETOR XS650 E006501~ - F



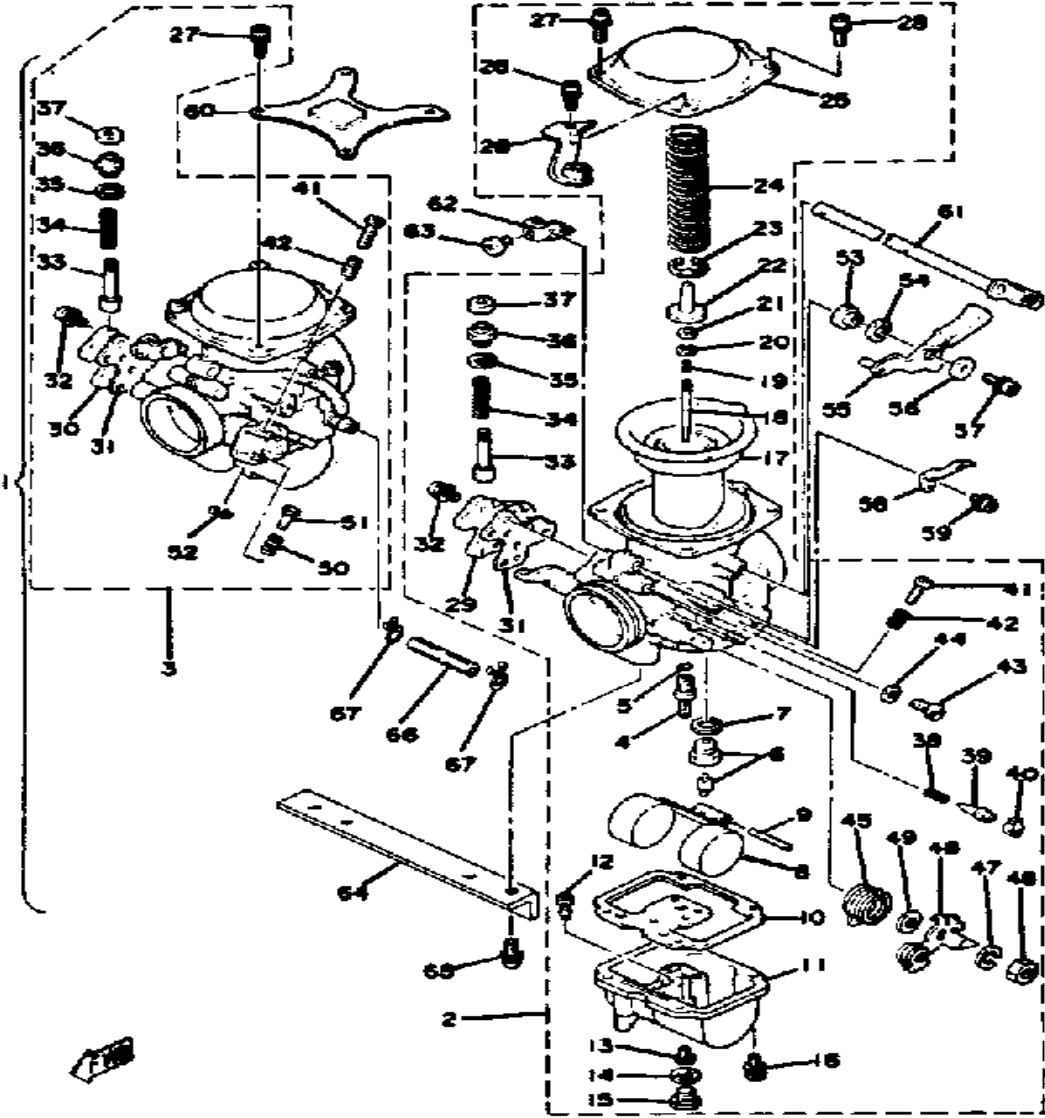
XS650F

CARBURETOR - Mfr./Type/I.D. Number	Mikuni / BS38 / 2F000
Main Jet/Pilot Jet	135 / 27.5
Needle Jet/Jet Needle-Clip Position	Z-2 / 502-3
Slide Cutaway or Throttle Valve	120
Float Level	24 ± 2.5mm
Idle RPM	1200
CO % @ Idle (Diagnostic Use Only)	3 ± 2%

Ref. No.	Part Number	Description	Qty	Remarks
1	UNA-VAILA-BL-EI	0 0		
2	(2F0-14901-00-00)	.. CARBURETOR ASSEMBLY 1	1	
3	(2F0-14902-00-00)	.. CARBURETOR ASSEMBLY 2	1	
4	2F0-14941-82-00	.. NOZZLE, MAIN	2	
5	93210-03142-00	.. O-RING	2	
6	168-14190-20-00	.. VALVE, SEAT ASSY	2	
7	214-14195-00-00	.. WASHER, NEEDLE VALVE ..	2	
8	256-14985-00-00	.. FLOAT	2	
9	127-14186-00-00	.. PIN, FLOAT	2	
10	256-14984-00-00	.. GASKET, FLOAT CHMBR ..	2	
11	(1J7-14981-09-00)	.. BODY, FLOAT CHAMBER ..	2	
12	584-14142-27-A0	.. JET, PILOT #27 5	2	
13	256-14944-27-A1	.. JET, MAIN 1 5	2	
14	256-14956-01-00	.. WASHER	2	
15	1A8-14991-00-00	.. SCREW	2	
16	97601-04112-00	.. SCREW, PN/HD.W/WSHR (97602-04112-00)	8	
17	2F0-14940-00-00	.. DIAPHRAGM ASSEMBLY ..	2	
18	2F0-14116-02-00	.. NEEDLE	2	
19	2F0-14589-00-00	.. SPRING	2	
20	256-14919-00-00	.. CLIP	2	
21	2F0-14918-00-00	.. RING	2	
22	(2F3-14946-00-00)	.. PLATE, NEEDLE FTNG	2	
23	2F0-14919-00-00	.. CLIP	2	
24	(2F0-14933-00-00)	.. SPRING, DIAPHRAGM	2	
25	(256-14958-00-00)	.. COVER, DIAPHRAGM	2	
26	(447-14926-00-00)	.. BRACKET, THROTTLE 1 ...	1	
27	98580-05016-00	.. SCREW, PAN HEAD	4	
28	(97601-05114-00)	.. SCREW, PN/HD.W/WSHR ..	4	

CONTINUED ON NEXT FRAME ►

CARBURETOR XS650 E006501~ - F



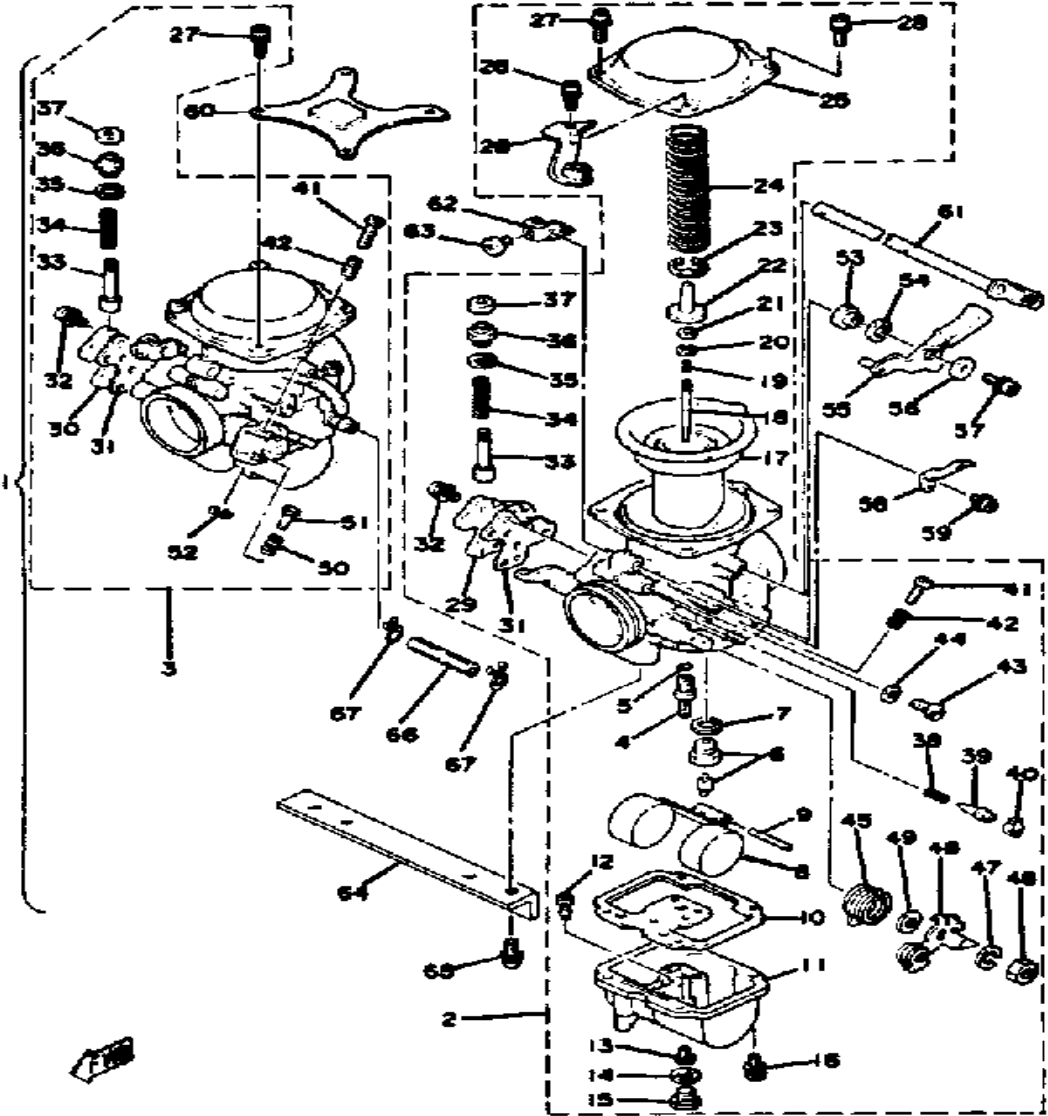
XS650F

CARBURETOR - Mfr./Type/I.D. Number	Mikuni / BS38 / 2F000
Main Jet/Pilot Jet	135 / 27.5
Needle Jet/Jet Needle-Clip Position	Z-2 / 502-3
Slide Cutaway or Throttle Valve	120
Float Level	24 ± 2.5mm
Idle RPM	1200
CO % @ Idle (Diagnostic Use Only)	3 ± 2%

Ref. No.	Part Number	Description	Qty	Remarks
29	(2F0-14907-00-00)	.. BODY, STARTER	1	
30	(1A8-14907-00-00)	.. BODY, STARTER	1	
31	447-14979-00-00	.. GASKET, STARTER	2	
32	97601-04112-00	.. SCREW, PN/HD.W/WSHR (97602-04112-00)	6	
	97601-04112-00	.. SCREW, PN/HD.W/WSHR (97602-04112-00)	650	
33	584-14171-00-00	.. PLUNGER, STARTER	2	
34	256-14135-00-00	.. SPRING, PLUNGER	2	
35	256-14954-00-00	.. WASHER	2	
36	584-14176-00-00	.. LEVER, STARTER 2	2	
37	306-14173-00-00	.. COVER, PLUNGER CAP ...	2	
38	2F0-14134-00-00	.. SPRING, AIR ADJUSTING ..	2	
39	2F0-14923-00-00	.. SCREW, PILOT	2	
40	584-14969-00-00	.. CAP	2	
41	256-14922-01-00	.. SCREW, THROTTLE	2	
42	256-14934-01-00	.. SPRING, THRTL STOP	2	
43	341-14991-00-00	.. SCREW	2	
44	584-14956-00-00	.. WASHER	2	
45	584-14931-00-00	.. SPRING, THRTL LEVER	1	
46	(306-14964-00-00)	.. LEVER, THROTTLE 2	1	
47	92990-08100-00	.. WASHER, SPRING	2	
48	90170-12175-00	.. NUT	2	
	95333-08600-00	.. NUT	2	
49	(306-14970-00-00)	.. VALVE, THROTTLE	1	
50	(584-14934-00-00)	.. SPRING, THRTL STOP	1	
51	584-14992-00-00	.. ROD	1	
52	(584-14937-00-00)	.. CLIP	1	
53	256-14918-00-00	.. RING	1	

CONTINUED ON NEXT FRAME ►

CARBURETOR XS650 E006501~ - F

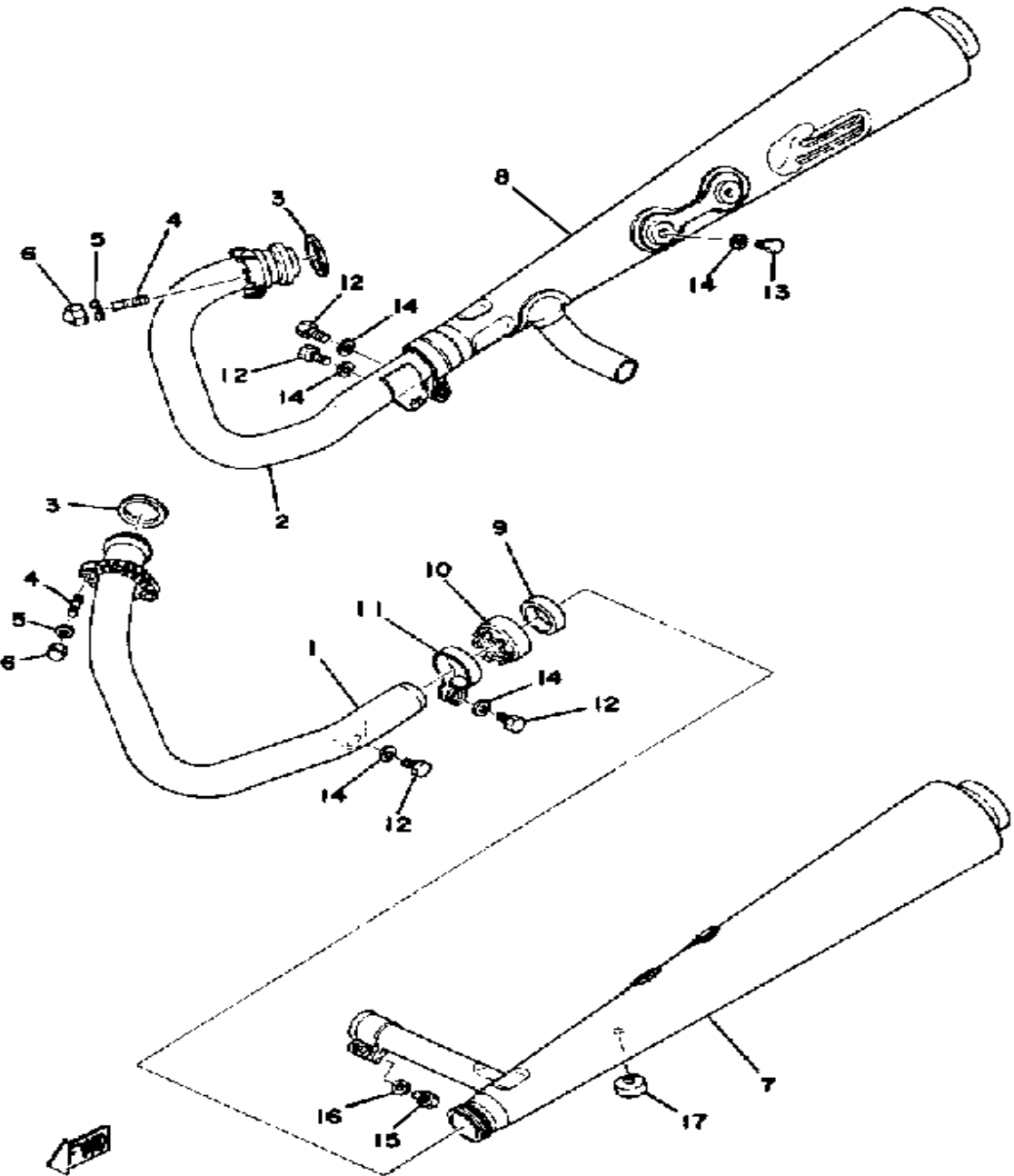


XS650F

CARBURETOR - Mfr./Type/I.D. Number	Mikuni / BS38 / 2F000
Main Jet/Pilot Jet	135 / 27.5
Needle Jet/Jet Needle-Clip Position	Z-2 / 502-3
Slide Cutaway or Throttle Valve	120
Float Level	24 ± 2.5mm
Idle RPM	1200
CO % @ Idle (Diagnostic Use Only)	3 ± 2%

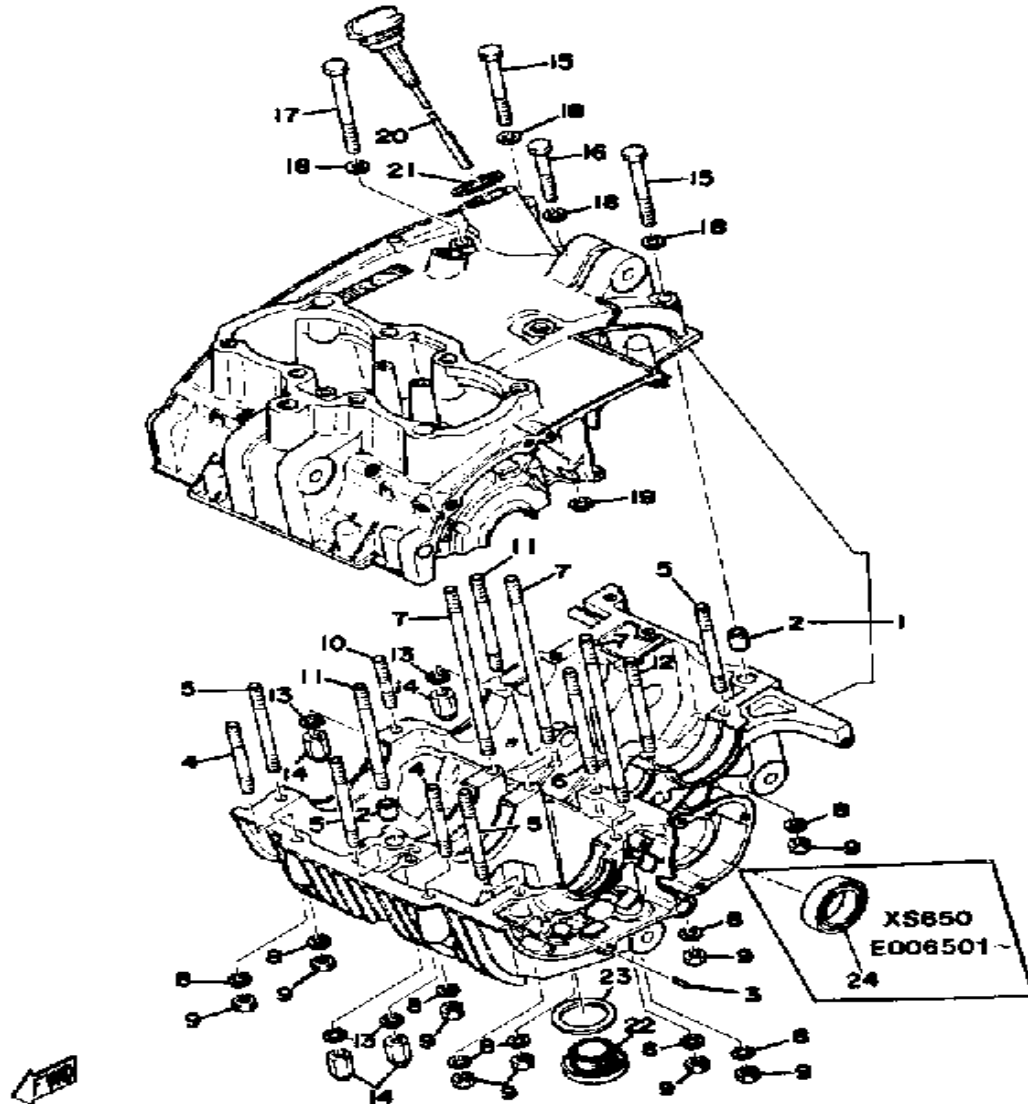
Ref. No.	Part Number	Description	Qty	Remarks
54	584-14955-00-00	. WASHER	1	
55	306-14905-02-00	. LEVER, STARTER	1	
56	256-14952-00-00	. WASHER	1	
57	97601-04112-00	. SCREW, PN/HD.W/WSHR (97602-04112-00)	1	
58	584-14938-00-00	. SPRING	1	
59	97601-04106-00	. SCREW, PN/HD.W/WSHR ...	1	
60	(584-14243-00-00)	. PLATE	1	
61	(2F0-14977-00-00)	. SHAFT, STARTER LVR	1	
62	2F0-14905-00-00	. LEVER, STARTER	2	
63	584-14991-00-00	. SCREW	2	5015
64	(584-14146-00-00)	. PLATE	1	
65	(97601-06114-00)	. SCREW, PN/HD.W/WSHR ...	4	
66	(306-14988-00-00)	. PIPE, STARTER CON	1	
67	(341-14919-00-00)	. CLIP	2	

EXHAUST XS650D - E - E006501~ - F



Ref. No.	Part Number	Description	Qty	Remarks
1	447-14610-03-00	EXHAUST PIPE ASSEMBLY L (447-14611-)	1	
2	447-14620-03-00	EXHAUST PIPE ASSEMBLY R (447-14621-03)	1	
3	90430-38054-00	GASKET	2	
4	90116-10195-00	BOLT, STUD	4	M10-43L
5	92990-10100-00	WASHER, SPRING	4	
6	95303-10800-00	NUT (CROWN)	4	
7	584-14711-80-00	MUFFLER L (584-14711-00)	1	
8	584-14721-80-00	MUFFLER R (584-14721-00)	1	
9	371-14714-03-00	GASKET, MUFFLER	2	
10	371-14713-00-00	NUT, MUFFLER JOINT	2	
11	90460-46057-00	CLAMP, HOSE (447-14715-02)	2	
12	90105-10058-00	BOLT, WASHER BASED	4	
13	97011-10016-00	BOLT, HEXAGON	4	
14	92990-10100-00	WASHER, SPRING	8	
15	97001-08025-00	BOLT (1NV)	1	
16	92901-08600-00	WASHER, PLATE	1	
17	371-27114-00-00	STOPPER, MAIN STAND	1	

CRANKCASE XS650D - E - E006501~ - F

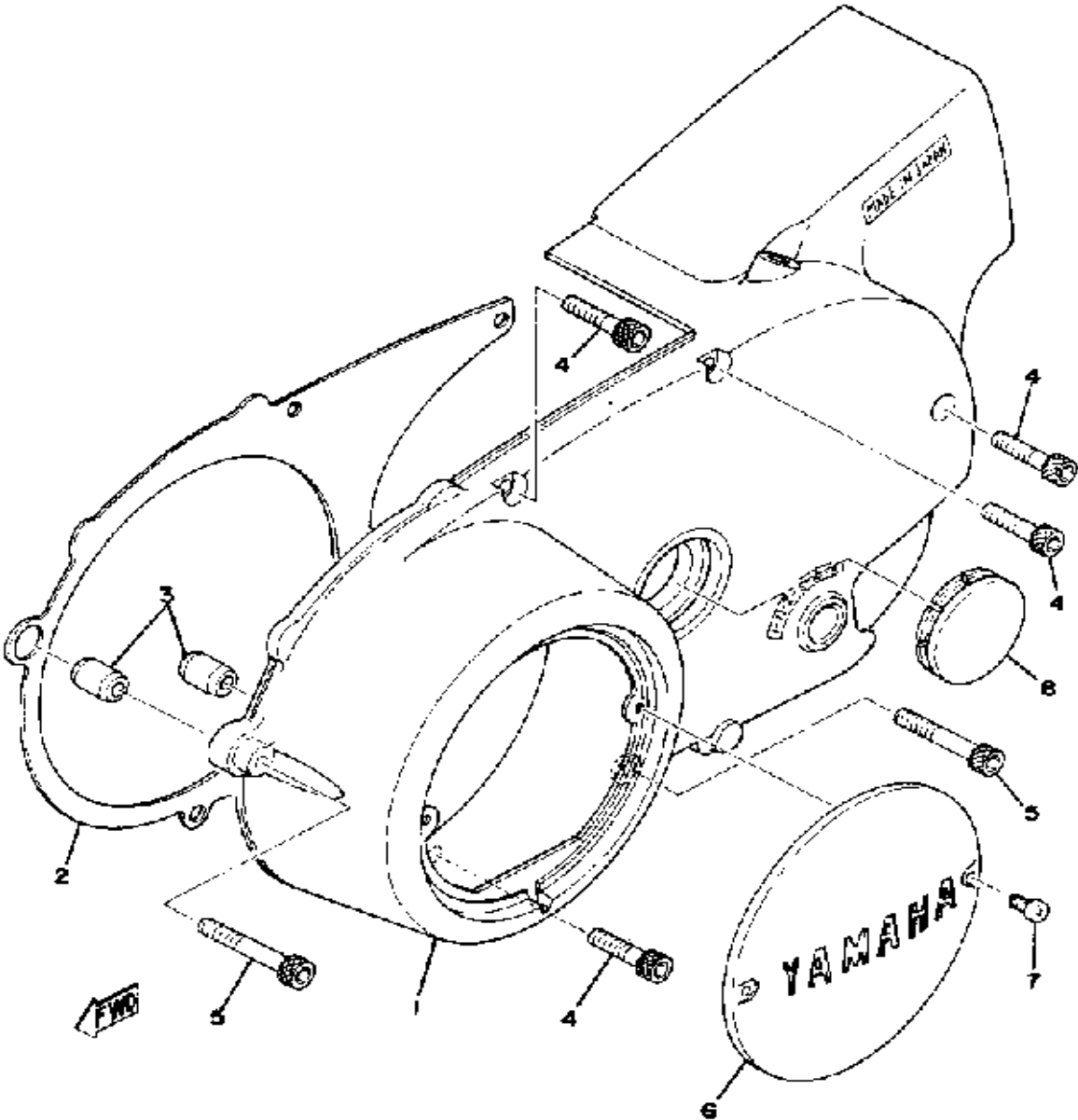


XS650F

Oiling System		Wet Sump	
Capacity: Dry		2500cc	
Oil and Filter Change		2000cc	
Oil Change		2000cc	
Lubricant:	Temp above 5°C (40°F)	Yamalube 4* or SAE 20W40 SE	
	Below 15°C (60°F)	Yamalube 4* or SAE 20W40 SE	

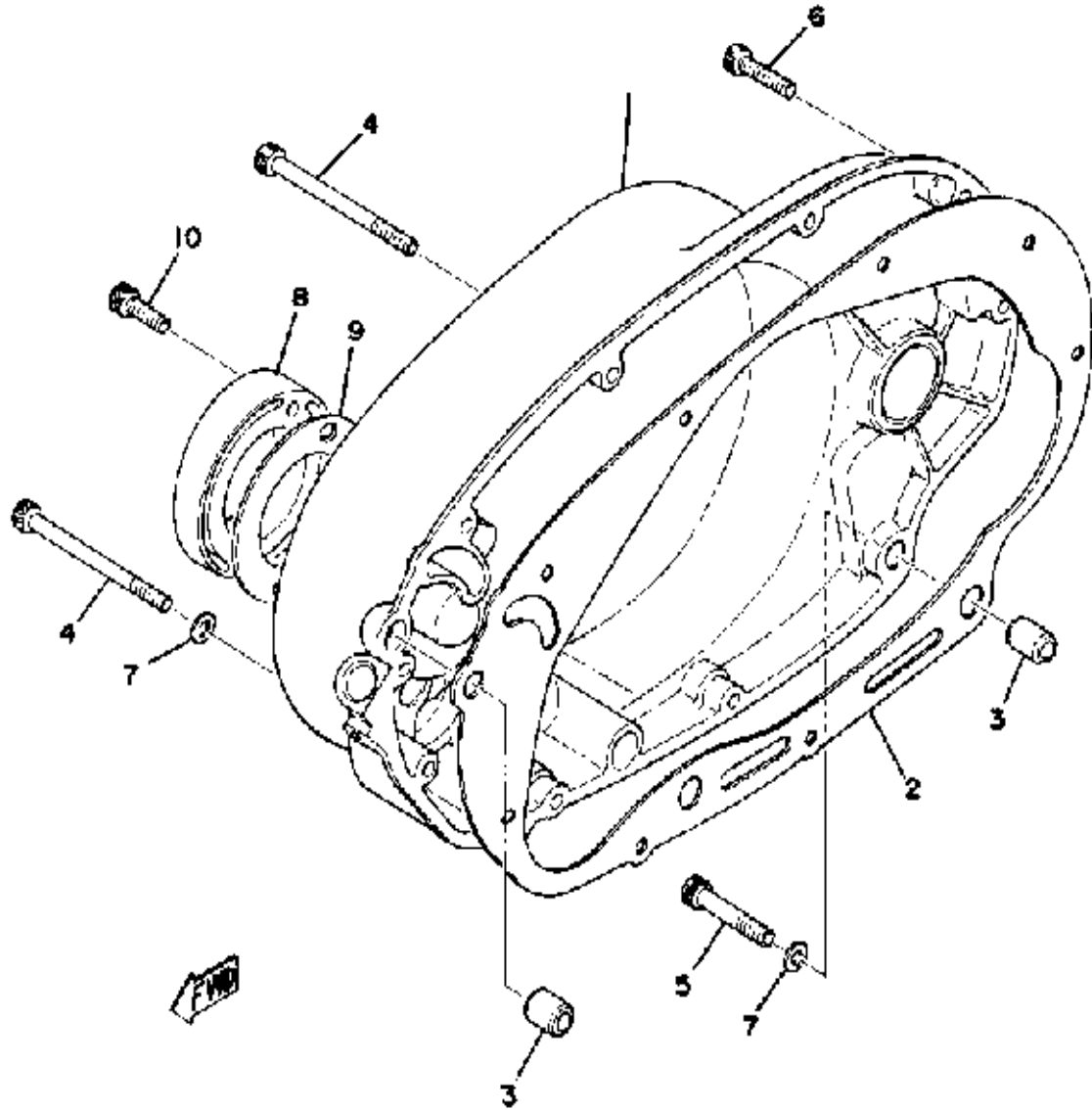
Ref. No.	Part Number	Description	Qty	Remarks
1	(306-15100-03-00)	CRANKCASE ASSEMBLY	1	
2	99510-12016-00	. PIN, DOWEL	2	
3	93603-14026-00	PIN, DOWEL	1	
4	90116-08196-00	BOLT, STUD	2	M8-76L
5	90116-08064-00	BOLT, STUD	4	M8-97L
6	90116-08232-00	BOLT, STUD	1	M8-116L
7	(90116-08199-00)	BOLT, STUD	3	M8-186L
8	92990-08200-00	WASHER, PLAIN	8	
9	95333-08600-00	NUT	8	
10	90116-08047-00	BOLT, STUD (306-15192-00)	1	M8-54L
11	90116-08066-00	BOLT, STUD	2	M8-103L
12	90116-08055-00	BOLT, STUD	1	M8-68L
13	90430-08143-00	GASKET	1	1
14	90176-08019-00	NUT, CROWN	6	
15	97013-08075-00	BOLT	2	
16	97313-08055-00	BOLT, HEXAGON	1	
17	97023-08090-00	BOLT (97321-08090)	1	
18	92990-08200-00	WASHER, PLAIN	4	
19	256-15395-00-00	GASKET, OIL SEALING	1	
20	256-15362-02-00	PLUG, OIL LEVEL	1	
21	90430-29114-00	GASKET	1	
22	256-15351-00-00	PLUG, DRAIN	1	
23	256-15353-00-00	GASKET, DRAIN	1	
24	93102-34095-00	OIL SEAL, SD-TYPE	1	E0065015

CRANKCASE COVER (LEFT) XS650D - E -



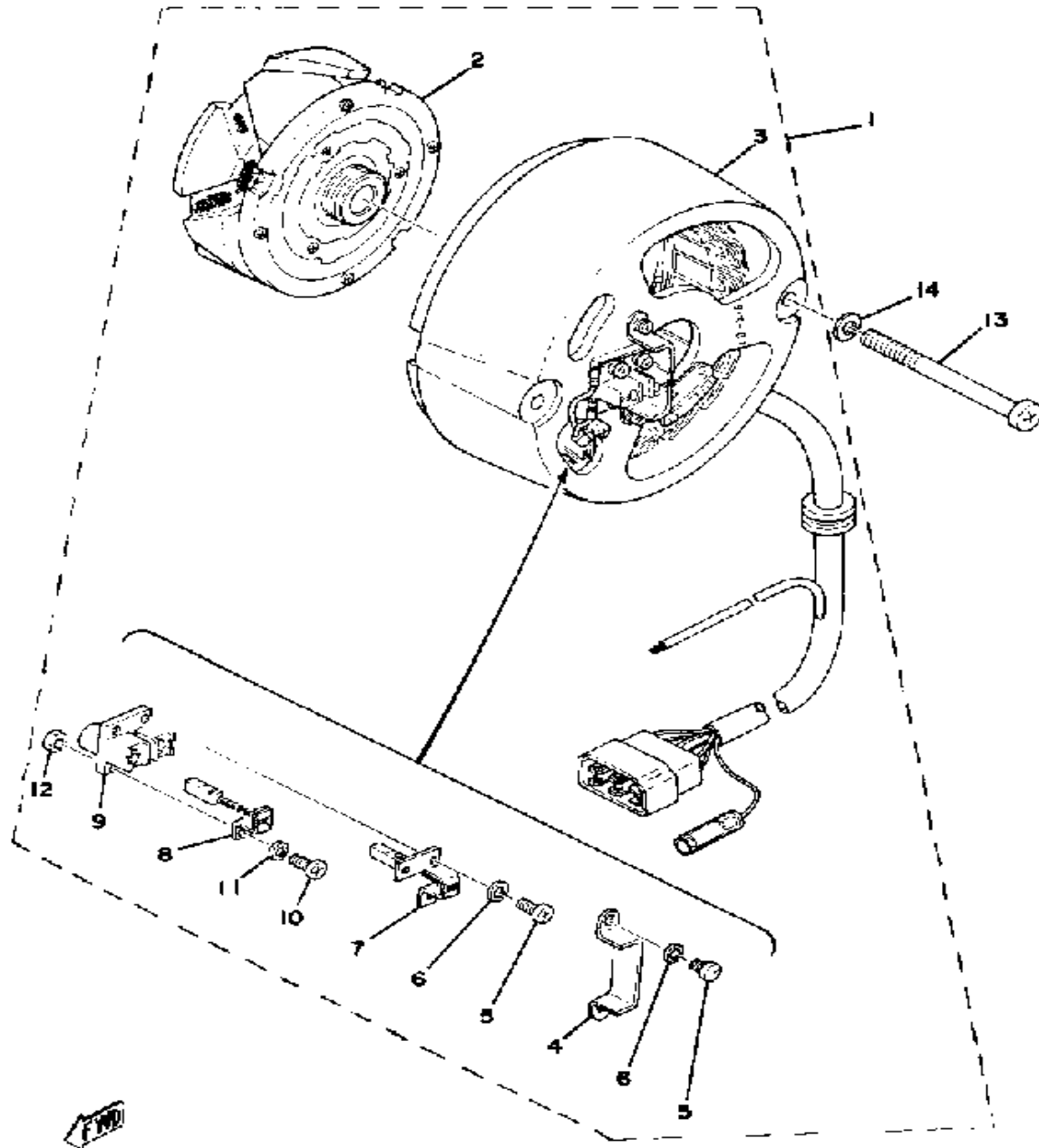
Ref. No.	Part Number	Description	Qty	Remarks
1	584-15411-00-00	COVER, CRANKCASE L	1	
2	306-15461-00-00	GASKET, CRCS CVR 2	1	
3	99510-12016-00	PIN, DOWEL	2	
4	91316-06025-00	BOLT	1	1
5	91316-06040-00	BOLT, SOCKET HEAD	2	
6	256-15425-00-00	COVER, GENERATOR R	1	
7	98580-05010-00	SCREW, PAN HEAD	2	
8	1J7-15417-02-00	COVER, CAP	1	

CRANKCASE COVER (RIGHT) XS650D - E



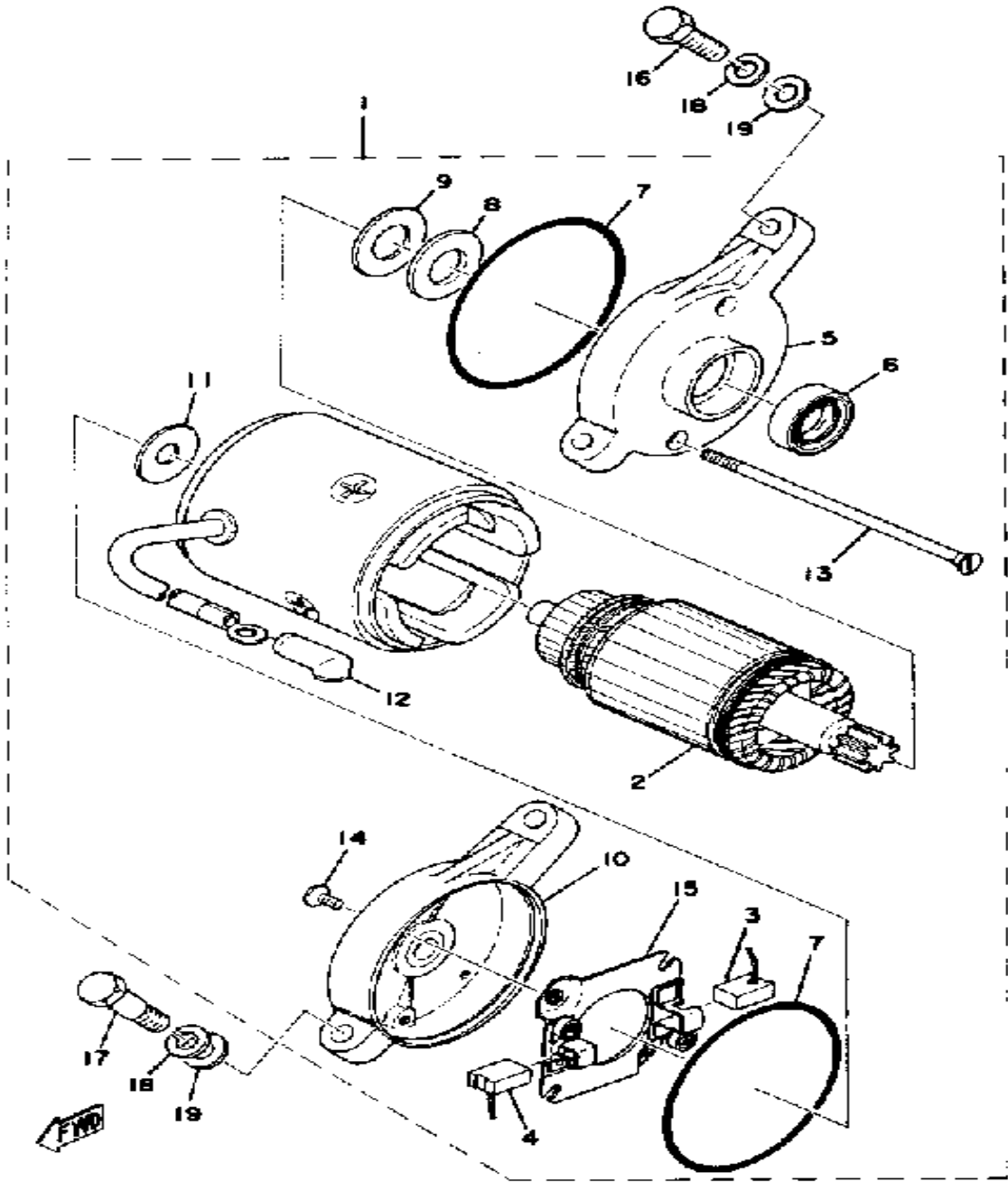
Ref. No.	Part Number	Description	Qty	Remarks
1	2H7-15361-00-00	. GAUGE, LEVEL	1	
	4E3-15421-00-00	. COVER, CRANKCASE R	1	
	99999-01146-00	CVR CRANKCASE RH (256-15421-04)		
2	256-15451-00-00	GASKET, CRCS COVER	1	
3	99510-12016-00	PIN, DOWEL	2	
4	91316-06075-00	BOLT	4	
5	(2F0-00000-20-00)	GSKTKT XS650E/F	1	
	91316-06040-00	BOLT, SOCKET HEAD	1	
6	91316-06025-00	BOLT	5	
7	90430-06014-00	GASKET	4	
8	256-15416-02-00	COVER, OIL PUMP	1	
9	256-15456-00-00	GASKET, O/PMP CVR 1	1	
10	91316-06025-00	BOLT	2	

A - C - GENERATOR XS650D - E - E0065



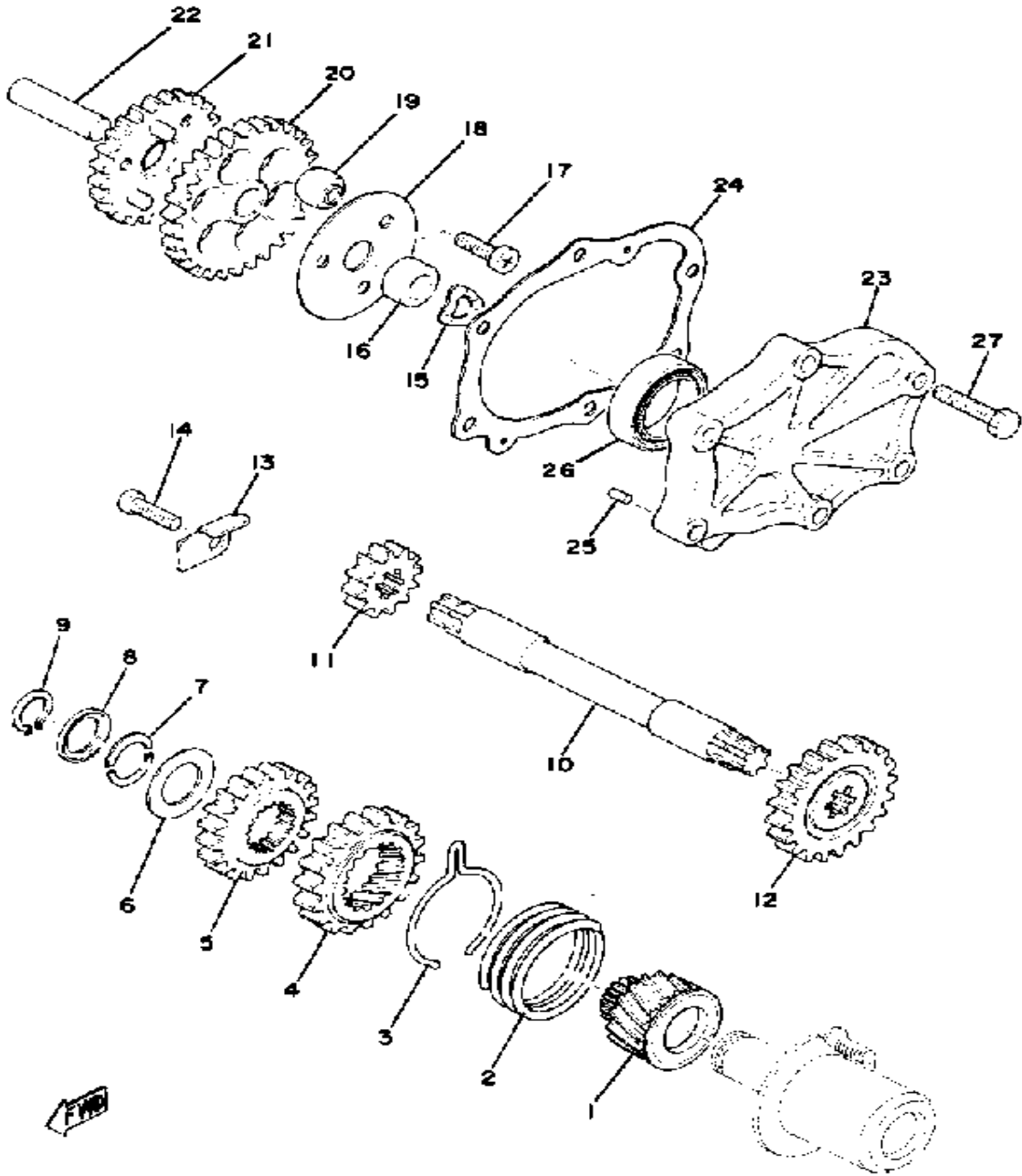
Ref. No.	Part Number	Description	Qty	Remarks
1	136-82540-00-00	. NEUTRAL SWITCH ASSEMBLY	1	
	306-81600-14-00	AC GENERATOR ASSEMBLY .	1	
2	256-81650-11-00	. ROTOR ASSEMBLY	1	
3	136-82540-00-00	. NEUTRAL SWITCH ASSEMBLY	1	
	306-81610-12-00	. STATOR ASSEMBLY	1	
4	(256-81614-10-00)	PROTECTOR	1	
5	98580-04008-00	.. SCREW, PAN HEAD	2	
6	92901-04100-00	.. WASHER, SPRING	2	
7	256-81611-11-00	.. BRUSH 1	1	
8	256-81612-11-00	.. BRUSH 2	1	
9	256-81613-10-00	.. HOLDER, BRUSH	1	
10	98511-04012-00	.. SCREW, PAN HEAD	4	
11	92901-04100-00	.. WASHER, SPRING	4	
12	95301-04600-00	.. NUT	1	
13	98501-06075-00	SCREW, PAN HEAD	2	
14	92995-06100-00	WASHER, SPRING	2	

STARTING MOTOR XS650D - E - E00650



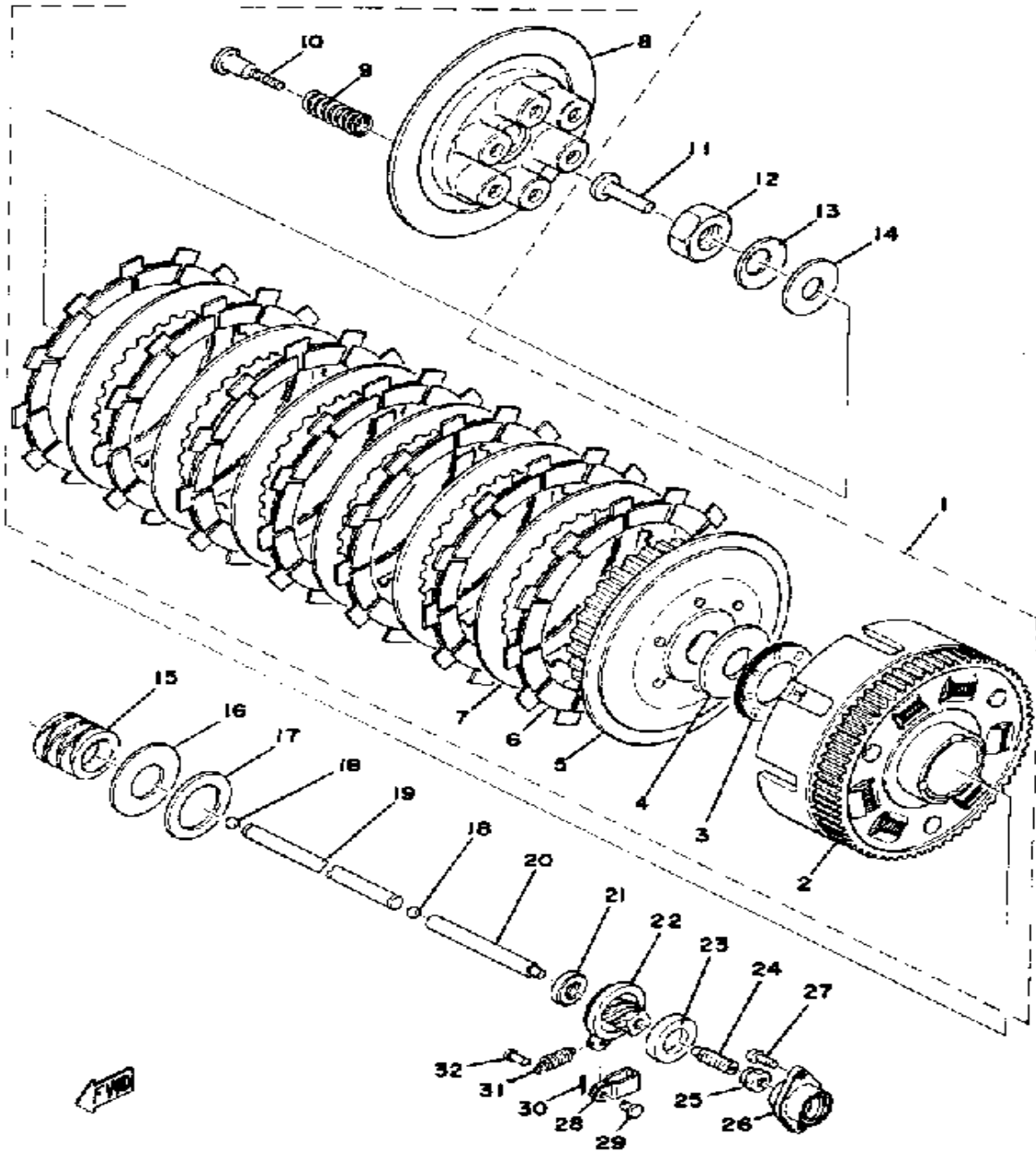
Ref. No.	Part Number	Description	Qty	Remarks
1	306-81800-12-00	STARTING MOTOR ASSEMBLY	1	
2	(306-81850-11-00)	ARMATURE ASSEMBLY	1	
3	306-81811-10-00	. BRUSH 1	1	
4	306-81812-10-00	. BRUSH 2	1	
5	(306-81825-10-00)	WASHER, INSULATOR	1	
6	93101-17047-00	. OIL SEAL, S-TYPE	1	
7	306-81827-10-00	. PIECE, FRICTION	2	
8	(306-81893-10-00)	WASHER, SPECIAL	1	
9	306-81828-10-00	. SHIM, WASHER	1	
10	(306-81826-10-00)	BOLT	1	
11	(306-81829-10-00)	GROMMET	2	
12	306-81862-10-00	. CAP	1	
13	306-81823-10-00	. STAY, STARTING MTR	2	
14	98701-04010-00	. SCREW, FLAT HEAD	2	
15	306-81840-10-00	. BRUSH HOLDER ASSEMBLY	1	
16	(90109-08393-00)	BOLT	2	
17	97313-08035-00	BOLT, HEXAGON	2	
18	92990-08100-00	WASHER, SPRING	4	
19	92990-08200-00	WASHER, PLAIN	4	

STARTING MOTOR UNIT XS650D - E - E00



Ref. No.	Part Number	Description	Qty	Remarks
1	306-Y1554-00-00	WHEEL STARTER	1	
2	90501-15409-00	SPRING, COMPRESSION	1	
3	90468-29062-00	CLIP	1	
4	447-15516-00-00	GEAR 4	1	
5	306-15515-00-00	GEAR 3	1	
6	90201-17257-00	WASHER, PLATE	1	
7	306-15562-00-00	CLIP	2	
8	306-15563-00-00	HOLDER, CLIP	1	
9	99009-17400-00	CIRCLIP	1	
10	306-15522-00-00	SHAFT 2	1	
11	306-15514-00-00	GEAR 2	1	
12	306-15513-00-00	GEAR 1	1	
13	447-15531-00-00	PLATE, STOPPER	1	
14	98580-06020-00	SCREW, PAN HEAD	1	
15	90206-12074-00	WASHER, WAVE	1	
16	90387-12093-00	COLLAR	1	
17	98580-06018-00	SCREW, PAN HEAD (N15)	3	
18	306-15532-00-00	PLATE, IDLE GEAR	1	
19	306-15571-00-00	ABSORBER	6	
20	(306-15512-00-00)	GEAR, IDLER 1	1	
21	306-15517-00-00	GEAR, IDLER 2	1	
22	1AE-15521-00-00	SHAFT 1	1	
23	(306-15431-00-00)	COVER, CRANKCASE 3	1	
24	306-15452-00-00	GASKET, GR CRNK CVR	1	
25	93604-08071-00	PIN, DOWEL	2	
26	93102-34095-00	OIL SEAL, SD-TYPE	500	6500
27	97011-06025-00	BOLT (97001-06025)	6	

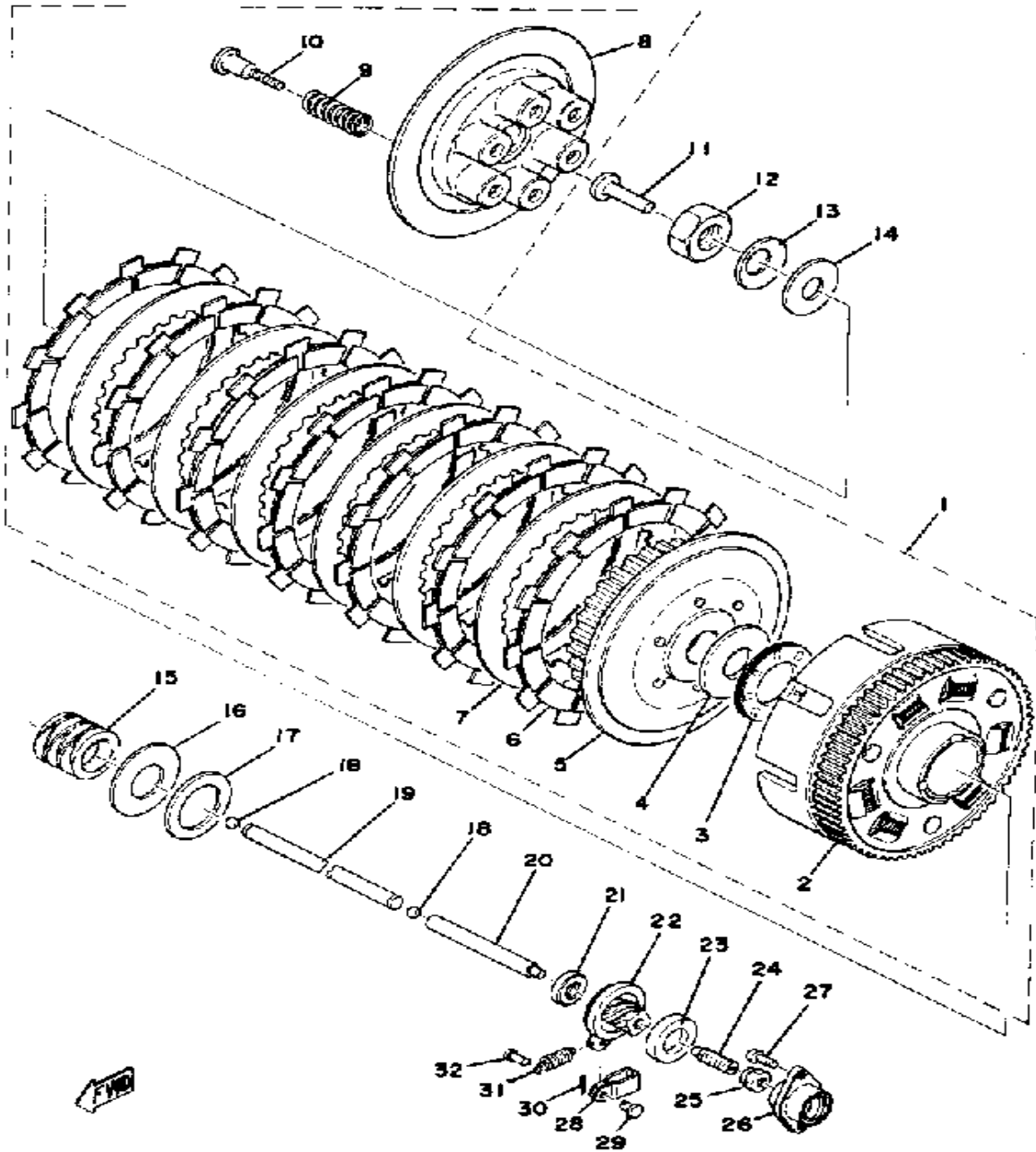
CLUTCH XS650D - E - E006501~ - F



Ref. No.	Part Number	Description	Qty	Remarks
1	(1T3-16301-00-00)	CLUTCH ASSEMBLY	1	
	(447-16301-02-00)	CLUTCH ASSEMBLY	1	
	(447-16301-02-00)	CLUTCH ASSEMBLY	650	
2	(256-16150-02-00)	PRI DRVN GEAR	1	
3	93341-23504-00	. BEARING, FLAT # 1	1	
4	170-16164-00-00	. PLATE, THRUST 2	1	
5	(341-16371-10-00)	BOSS, CLUTCH	1	
6	341-16321-13-00	. PLATE, FRICTION	7	
7	341-16325-01-00	. PLATE, CLUTCH 2	6	
8	341-16351-01-00	. PLATE, PRESSURE 1	1	
9	90501-26148-00	. SPRING, COMPRESSION	6	
10	90149-06102-00	. SCREW, SPEC'L SHAPE	6	
11	256-16356-00-00	ROD, PUSH 1	1	
12	90170-18089-00	NUT	1	
13	214-16119-00-00	SPRING, BELLEVILLE	1	
14	92990-18200-00	WASHER	1	
15	90560-25131-00	SPACER	1	
16	170-16164-00-00	PLATE, THRUST 2	1	
17	90201-256K6-00	WASHER, PLATE	1	
18	93505-16006-00	BALL	2	
19	341-16376-00-00	ROD, PUSH 3	1	
	447-16357-01-00	ROD, PUSH 2	1	
20	341-16376-00-00	ROD, PUSH 3	1	
	447-16357-01-00	ROD, PUSH 2	1	
21	93102-08206-00	OIL SEAL, SD-TYPE	1	
22	1T3-16340-00-00	PUSH LEVER ASSEMBLY	1	
23	214-16347-01-00	SEAL, DUST	1	
24	90113-08021-00	BOLT, SET	1	
25	90179-08179-00	NUT	1	

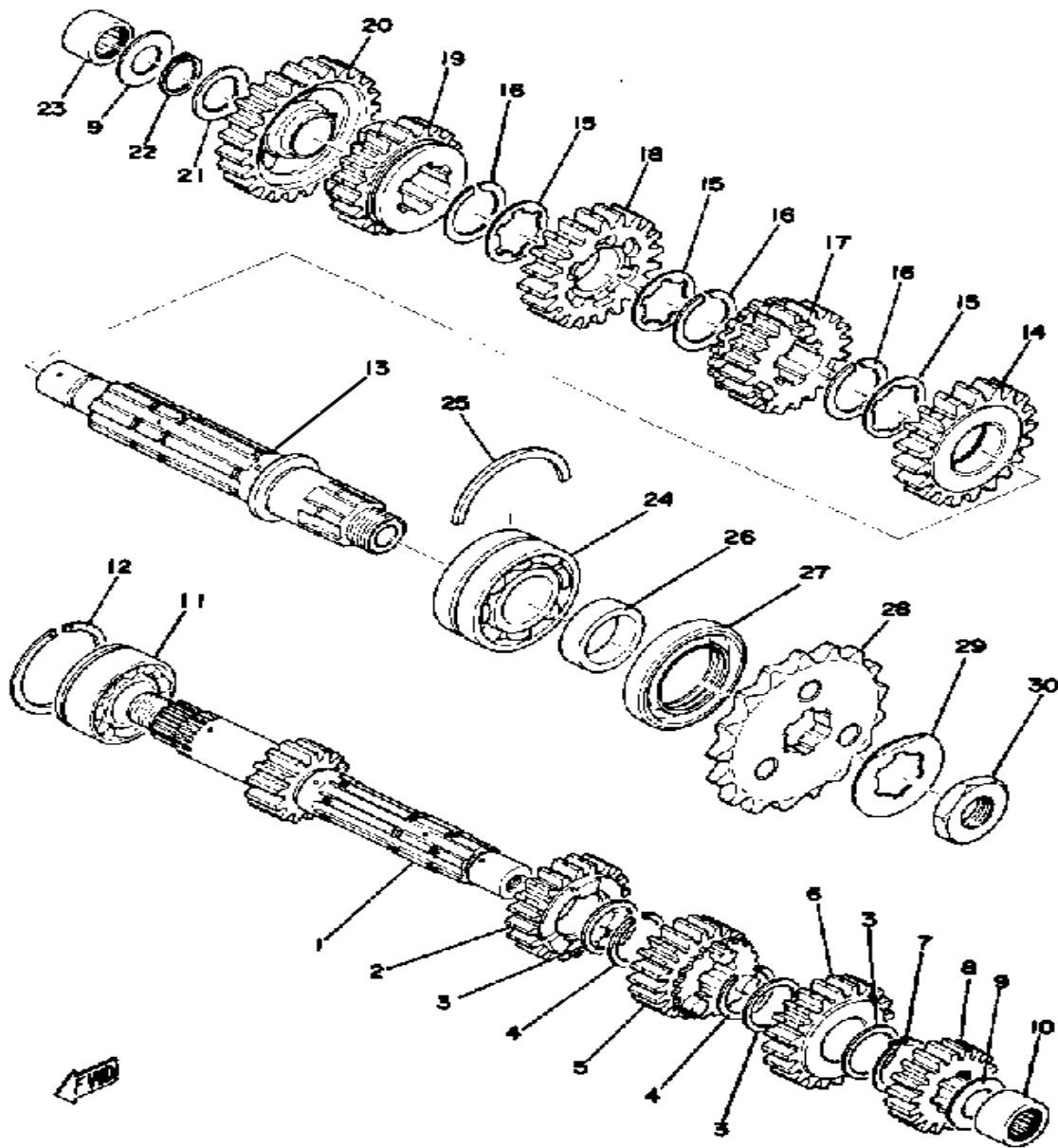
CONTINUED ON NEXT FRAME ➤

CLUTCH XS650D - E - E006501~ - F



Ref. No.	Part Number	Description	Qty	Remarks
26	371-16396-00-00	HOUSING, PUSH SCREW	1	
27	98580-05012-00	SCREW, PAN HEAD	2	
28	214-16389-00-00	JOINT	1	
29	90240-06005-00	PIN, CLEVIS	1	
30	91401-10015-00	PIN, COTTER	1	
31	90506-10023-00	SPRING, TENSION	1	
32	132-16346-00-00	HOOK, SPRING	1	

TRANSMISSION XS650D - E - E006501~

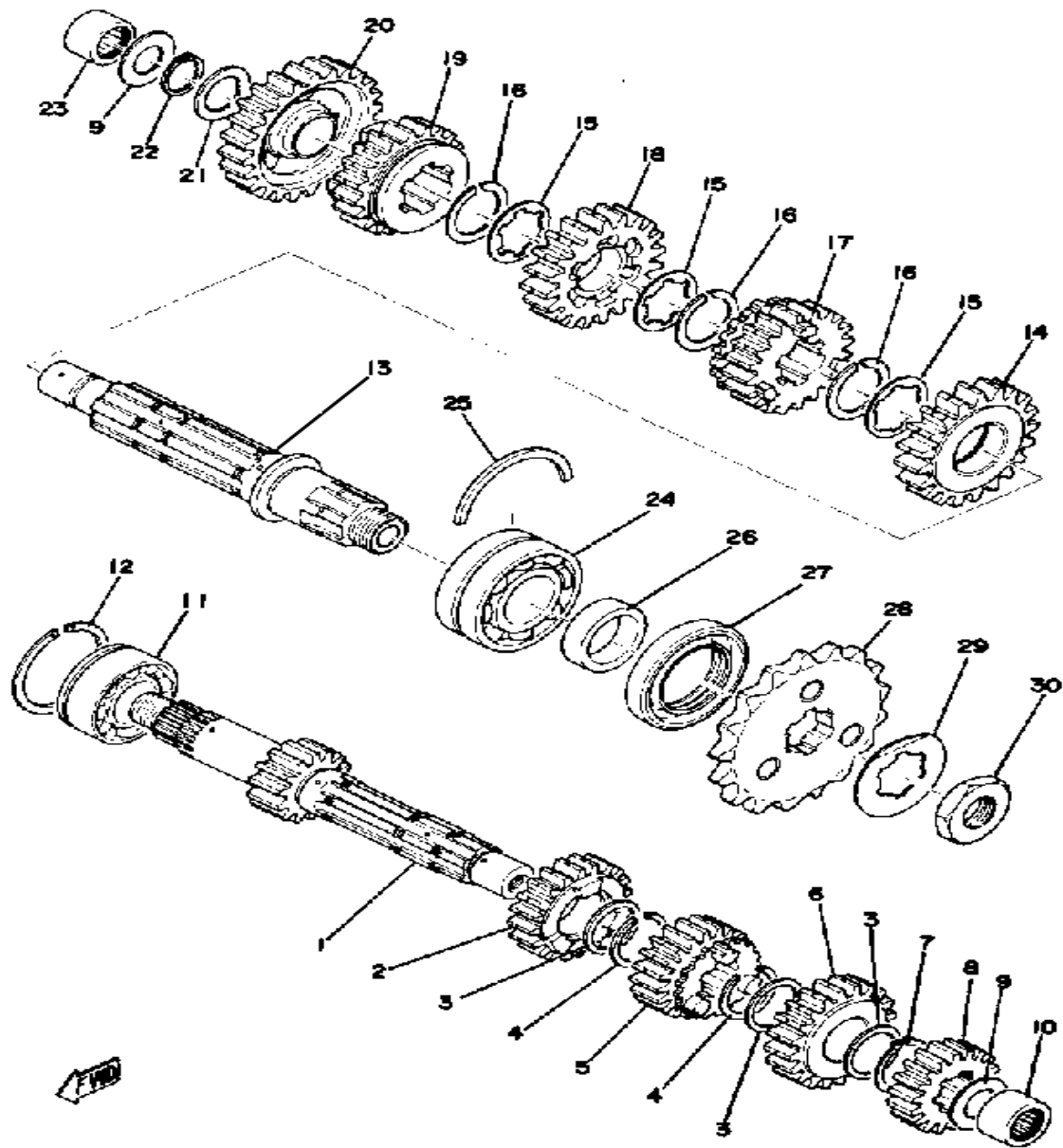


SEE GRIDS J1, J2 FOR SERVICE DATA.

Ref. No.	Part Number	Description	Qty	Remarks
1	(306-17411-00-00)	AXLE, MAIN	1	
	(306-17411-03-00)	AXLE, MAIN	1	2625 M7-023
2	(256-17141-01-00)	GEAR, 4TH PINION	1	
	256-17141-02-00	GEAR, 4TH PINION	1	2625 M7-023
3	90201-253K0-00	WASHER, PLATE (T=1.0)	
	90201-253K0-00	WASHER, PLATE (T=1.0)	3
4	93440-25020-00	CIRCLIP	2
5	(256-17131-03-00)	. GEAR, 3RD PINION	1
	(341-17151-03-00)	. GEAR, 5TH PINION	1
	(99999-00906-00)	GEAR 5TH PINION	1
	256-17131-04-00	GEAR, 3RD PINION	1
6	(341-17151-03-00)	GEAR, 5TH PINION	1
	(341-17151-04-00)	GEAR, 5TH PINION	1
				2625 M7-023
7	93410-25017-00	CIRCLIP	1
8	(256-17121-00-00)	GEAR, 2ND PINION	1
	256-17121-01-00	GEAR, 2ND PINION	1
				2625 M7-023
9	137-17427-00-06	SHIM 1	1
	137-17427-00-09	SHIM 1	2
10	93313-32007-00	BEARING, CYLINDER.# 3	1
11	93305-20504-00	BEARING	1
12	93440-52014-00	CIRCLIP	1
13	(256-17421-00-00)	AXLE, DRIVE	1
	256-17421-02-00	AXLE, DRIVE	1
				2625 M7-023
14	256-17221-01-00	. GEAR, 2ND WHEEL	1
	256-17221-02-00	GEAR, 2ND WHEEL	1
				2625 M7-023
15	256-17236-00-10	WASHER, GEAR HOLD 3	3
	256-17236-00-12	WASHER, GEAR HOLD 3	3
				U.R.
16	93440-30015-00	CIRCLIP, OUTER	3
17	256-17251-03-00	. GEAR, 5TH WHEEL	1

CONTINUED ON NEXT FRAME ➤

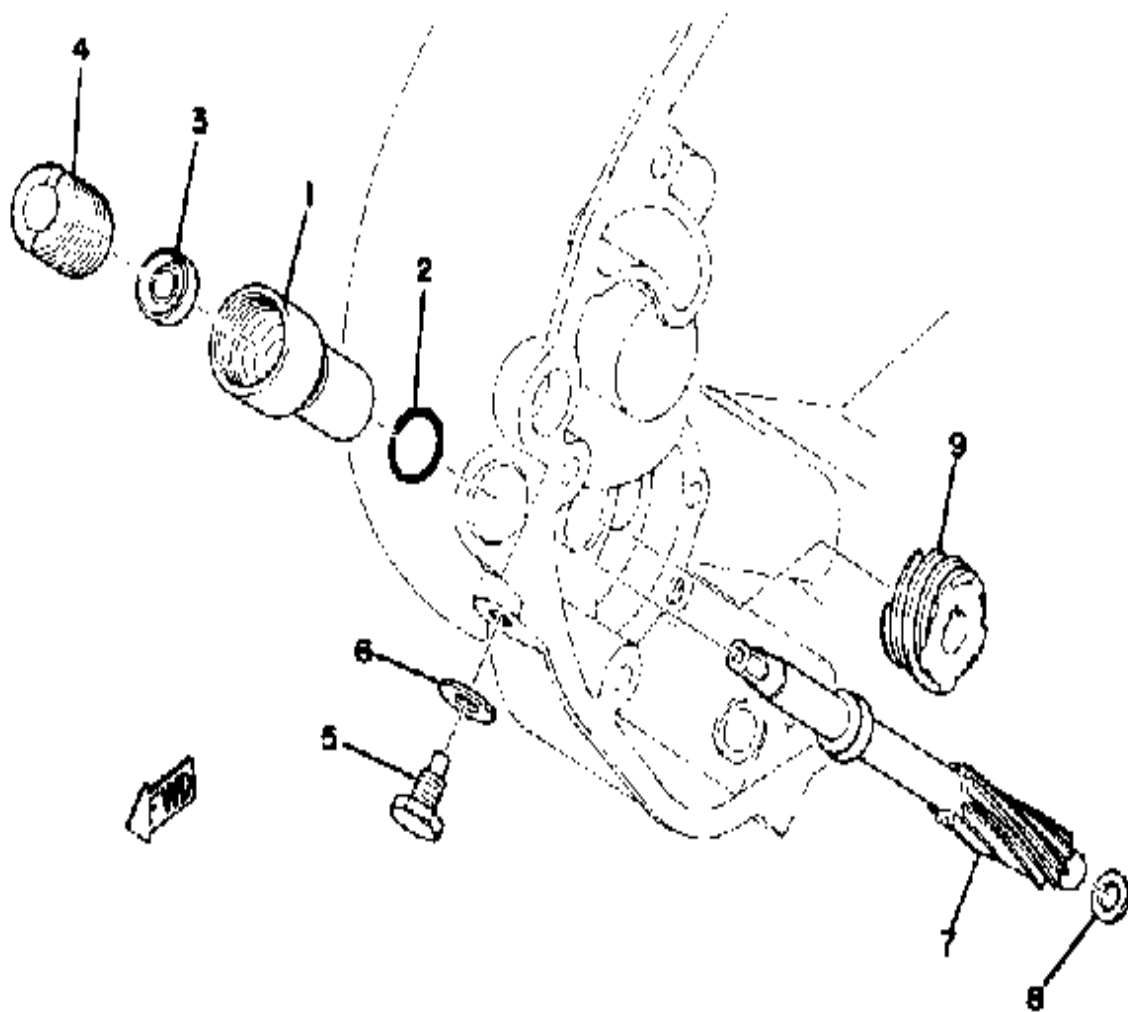
TRANSMISSION XS650D - E - E006501~



Ref. No.	Part Number	Description	Qty	Remarks
17	256-17251-04-00	GEAR, 5TH WHEEL	1	2625 M7-023
18	(256-17231-03-00)	GEAR, 3RD WHEEL	1	
	256-17231-04-00	GEAR, 3RD WHEEL	1	2625 M7-023
19	256-17241-01-00	GEAR, 4TH WHEEL (23T)	1	
	256-17241-02-00	GEAR, 4TH WHEEL	1	2625 M7-023
20	306-17211-00-00	GEAR, 1ST WHEEL	1	
21	90201-20266-00	WASHER, PLATE (1.0T)	1	
22	93410-20021-00	CIRCLIP, S-TYPE	1	
23	93313-32005-00	BEARING, CYLINDER.# 3	1	
24	93305-20603-00	BEARING	1	
25	168-17424-00-00	CIRCLIP 1	1	
26	90387-30200-00	COLLAR	1	
27	93105-40018-00	OIL SEAL, SDD-TYPE	1	
28	93855-17129-00	SPROCKET, DRIVE	1	
29	90215-26024-00	WASHER, LOCK	1	
30	90179-22022-00	NUT, SPEC'L SHAPE	1	

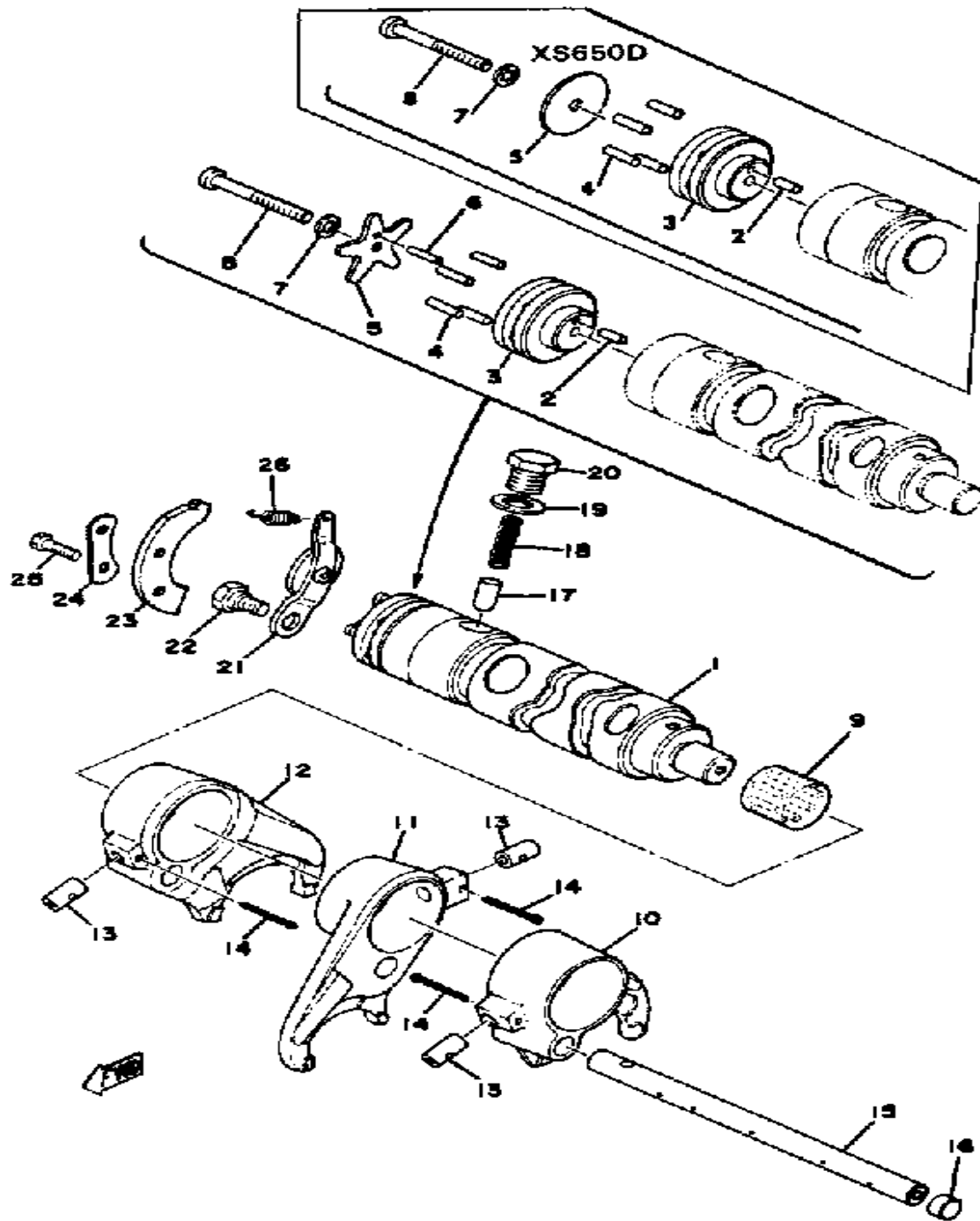
SEE GRIDS J1, J2 FOR SERVICE DATA.

TACHOMETER GEAR XS650D - E - E0065



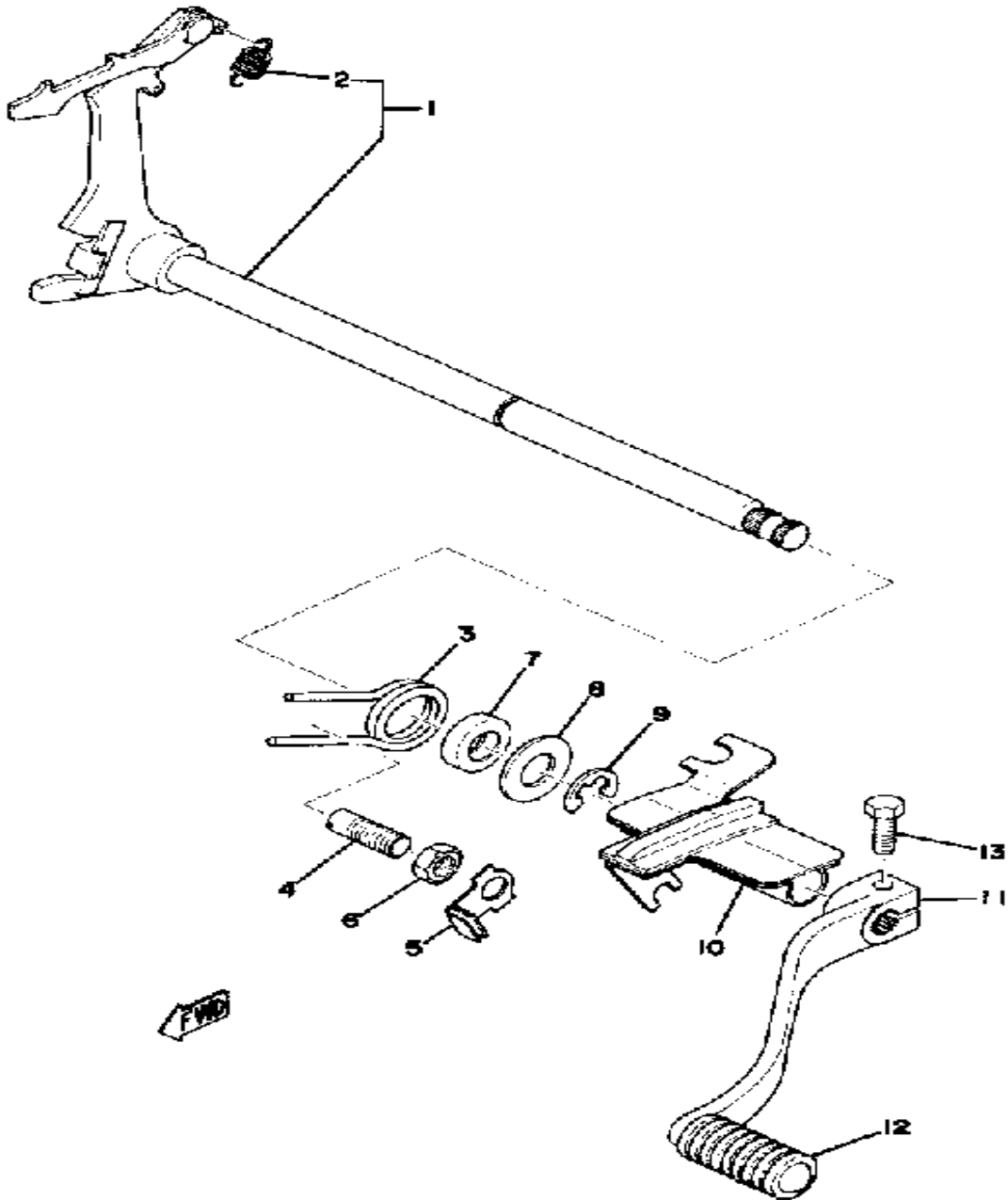
Ref. No.	Part Number	Description	Qty	Remarks
1	256-17811-01-00	HOUSING, TACH GEAR	1	
2	93210-11313-00	O-RING	1	
3	93104-07036-00	OIL SEAL, SO-TYPE	1	
4	256-17848-00-00	ADAPTER	1	
5	90109-06076-00	BOLT	1	
6	90430-06014-00	GASKET	1	
7	256-17841-01-00	GEAR, DRIVEN	1	
8	90201-08624-00	WASHER, PLATE	1	
9	256-17831-00-00	GEAR, DRIVE	1	

SHIFTER 1 XS650D - E - E006501~ - F



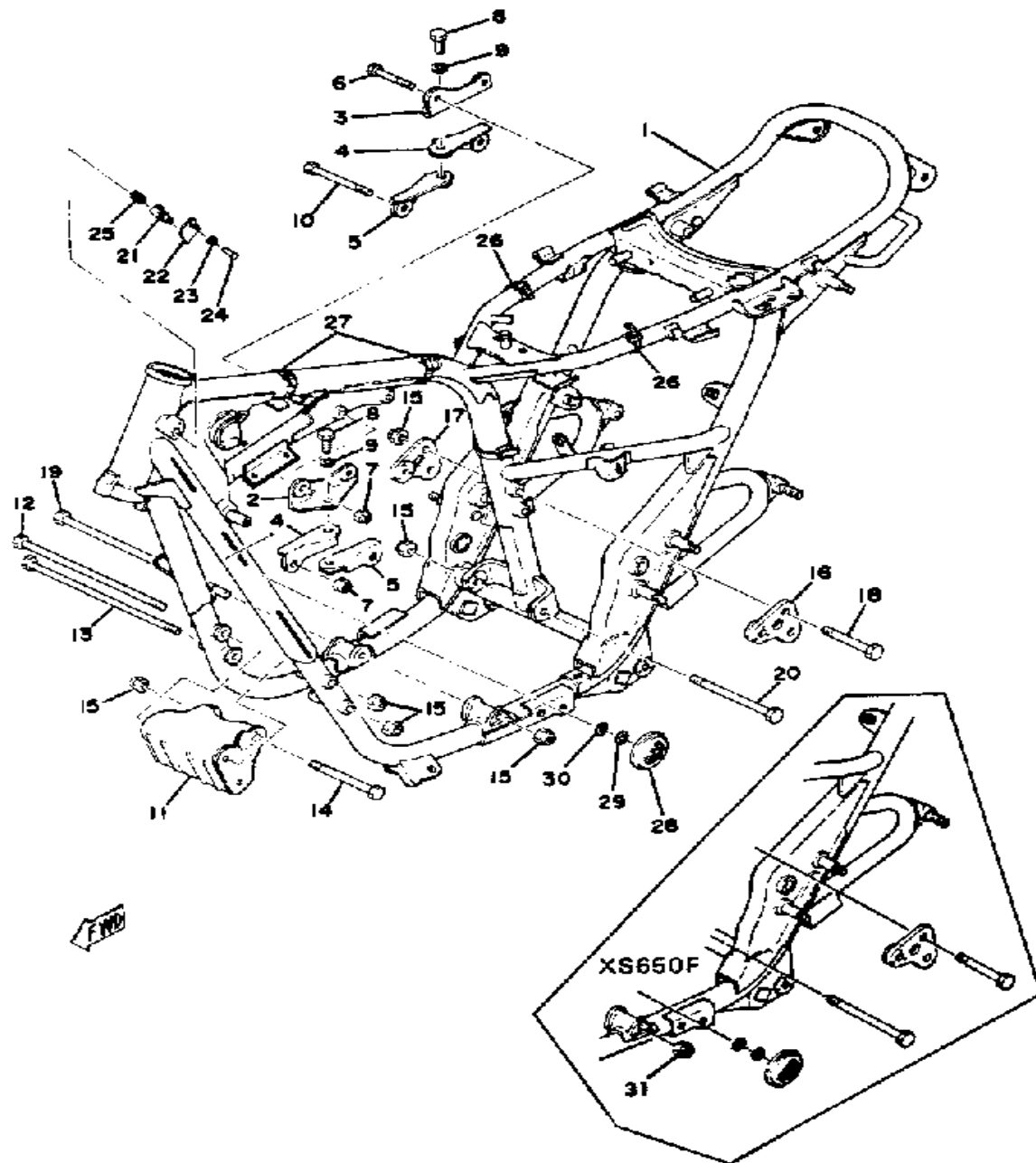
Ref. No.	Part Number	Description	Qty	Remarks
1	306-18540-00-00	SHIFT CAM ASSEMBLY	1	
2	93604-10011-00	. PIN, DOWEL	2	
3	(306-18546-00-00)	CAM, SHIFT 2	1	
4	93604-14012-00	. PIN, DOWEL	4	
5	(168-18561-00-00)	PLATE, SIDE 1	1	
6	93603-14026-00	. PIN, DOWEL	1	
7	92990-05300-00	. WASHER, INTERNAL TOOTH	1	
8	98501-05046-00	. SCREW, PAN HEAD	1	
9	93320-31501-00	BEARING, CYLINDER.# 0	1	
10	256-18511-00-00	FORK, SHIFT 1	1	
11	256-18512-00-00	FORK, SHIFT 2	1	
12	256-18513-00-00	FORK, SHIFT 3	1	
13	90249-08122-00	PIN, SPEC"L SHAPE	3	
14	91401-25030-00	PIN, COTTER	3	
15	256-18531-00-00	BAR, SHIF FRK GDE 1	1	
16	90334-10007-00	PLUG, STRAIGHT (256-15439-00)	500	6500
17	137-18547-00-00	STOPPER, CAM	1	
18	90501-10068-00	SPRING, COMPRESSION	1	
19	90430-16047-00	GASKET	1	
20	90109-16392-00	BOLT	1	
21	341-18140-00-00	STOPPER LEVER ASSEMBLY .	1	
22	90109-06181-00	BOLT	1	
23	256-18562-00-00	PLATE, STOPPER 2	1	
24	256-18565-00-00	PLATE, LOCK SCREW	1	
25	90101-06091-00	BOLT	1	
	90101-06091-00	BOLT	2	
26	90506-10022-00	SPRING, TENSION	1	

SHIFTER 2 XS650D - E - E006501~ - F



Ref. No.	Part Number	Description	Qty	Remarks
1	256-18101-03-00	SHIFT SHAFT ASSEMBLY. 1	1	
2	90506-08007-00	. SPRING, TENSION	1	
3	90508-32559-00	SPRING, TORSION	1	
4	(90149-10018-00)	SCREW, SPEC'L SHAPE	1	
5	90215-10105-00	WASHER, LOCK	1	
6	90170-10038-00	NUT, HEXAGON	1	E-0065015
	95303-10700-00	NUT	1	
7	93109-14010-00	OIL SEAL, SDO-TYPE	1	
8	90201-14220-00	WASHER, PLATE	1	
9	99001-12600-00	CIRCLIP	1	
10	447-17467-02-00	GUIDE, CHAIN 1	1	
11	2J2-18111-01-00	PEDAL, SHIFT	1	
12	132-18113-01-00	COVER, SHIFT PEDAL	1	
13	97011-06020-00	BOLT	1	

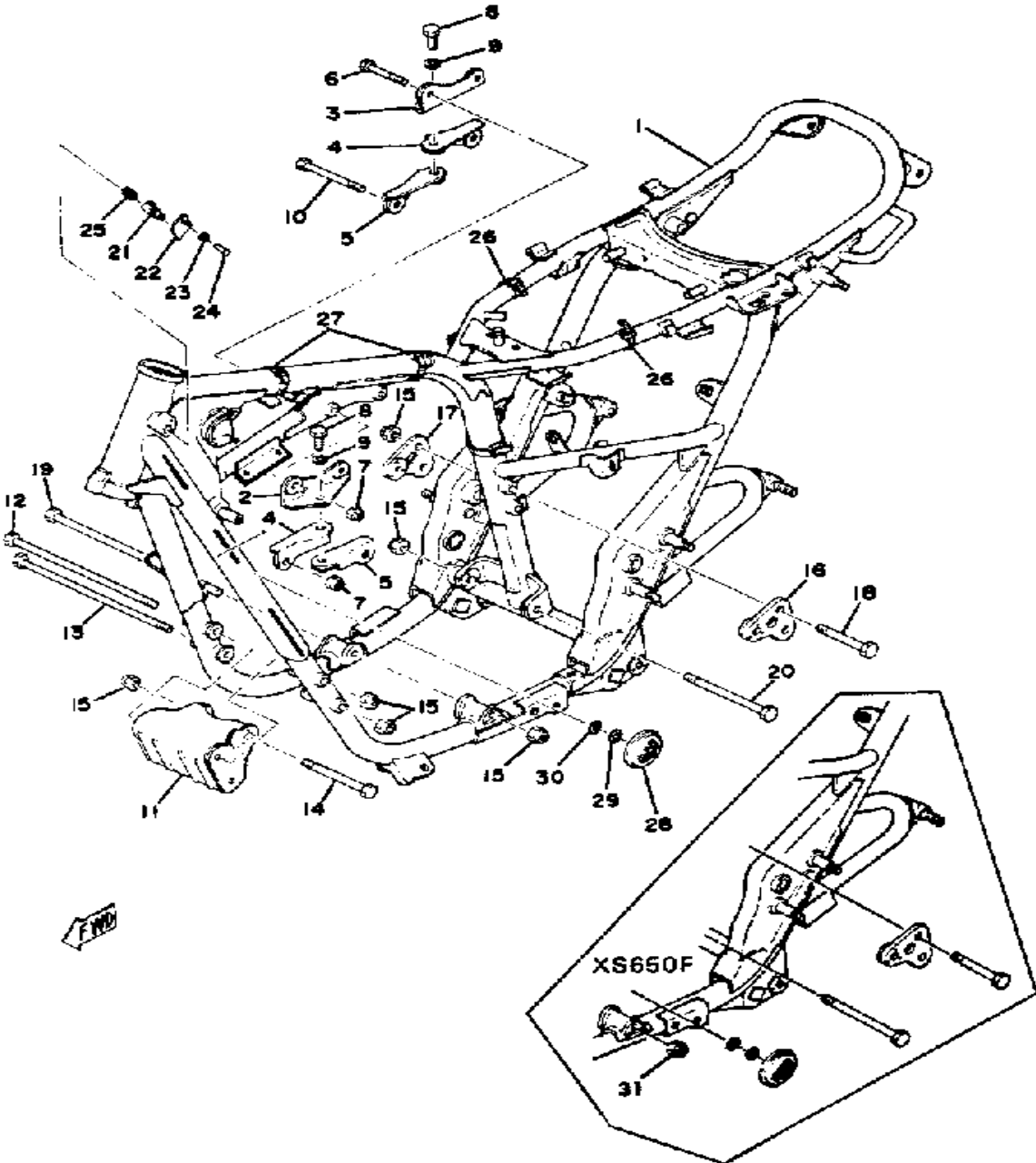
FRAME XS650D - E - E006501~ - F



Ref. No.	Part Number	Description	Qty	Remarks
1	(1T3-21110-00-33)	FRAME	1	YAMAHA BLK
	(2F0-21110-00-33)	FRAME	1	
2	447-21314-00-00	STAY, ENGINE 1	1	
3	447-21315-00-00	STAY, ENGINE 2	1	
4	256-21317-01-00	STAY, ENGINE 4	2	
5	256-21316-01-00	STAY, ENGINE 3	2	
6	95811-08055-00	BOLT, FLANGE	2	
7	90185-08089-00	NUT, SELF-LOCKING	4	
8	95811-10025-00	BOLT, FLANGE	2	
9	92990-10100-00	WASHER, SPRING	2	
10	95811-08090-00	BOLT, FLANGE (95822-08090) .	2	
11	447-21318-00-98	STAY, ENGINE 5	1	YAMAHA BLK
12	90105-10235-00	BOLT, WASHER BASED	1	
13	90105-10044-00	BOLT, WASHER BASED	1	
14	90105-10039-00	BOLT, WASHER BASED	1	
15	90185-10060-00	NUT, SELF-LOCKING	8	
16	447-21319-00-00	STAY, ENGINE 6	1	
17	447-21387-00-00	STAY, ENGINE 7	1	
18	95811-10070-00	BOLT, FLANGE	3	
19	90106-10029-00	BOLT, DOME HEAD	1	
20	90105-10119-00	BOLT, WASHER BASED	1	
21	2A6-23408-00-00	STEERING LOCK ASSEMBLY .	1	
22	3DM-23484-00-00	CAP, HANDLE LOCK	1	
23	90206-04003-00	WASHER, WAVE (214-23488-00)	1	
24	90269-04003-00	RIVET	1	
25	90502-09024-00	SPRING, CONICAL	1	
26	25G-83936-01-00	BAND, SWITCH CORD	2	
27	437-83936-11-00	BAND, SWITCH CORD	2	
28	355-85111-01-00	REFLECTOR, FRONT 1	2	

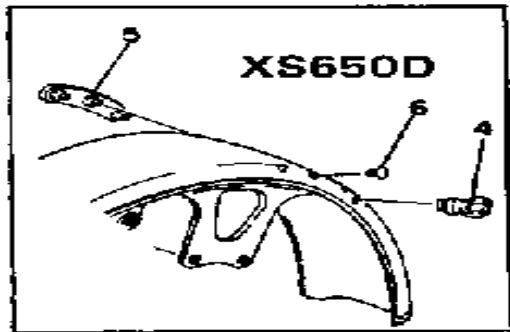
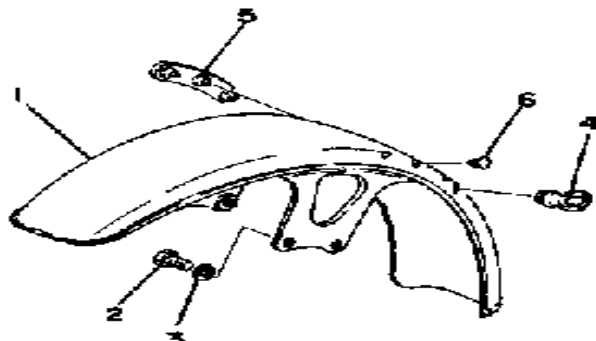
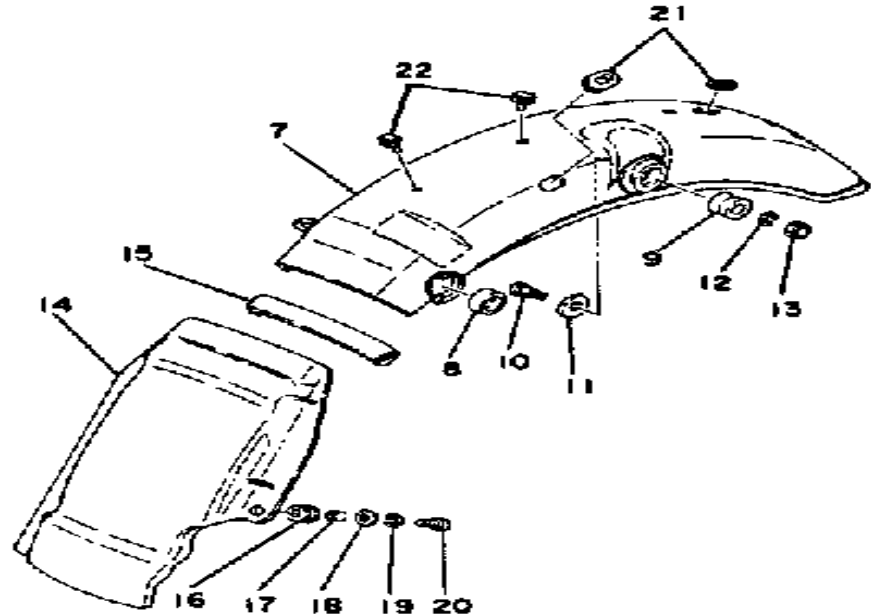
CONTINUED ON NEXT FRAME ►

FRAME XS650D - E - E006501~ - F



Ref. No.	Part Number	Description	Qty	Remarks
29	92990-05100-00	WASHER, SPRING	2	
30	92990-05200-00	WASHER, PLAIN	2	
31	90185-10060-00	NUT, SELF-LOCKING	1	

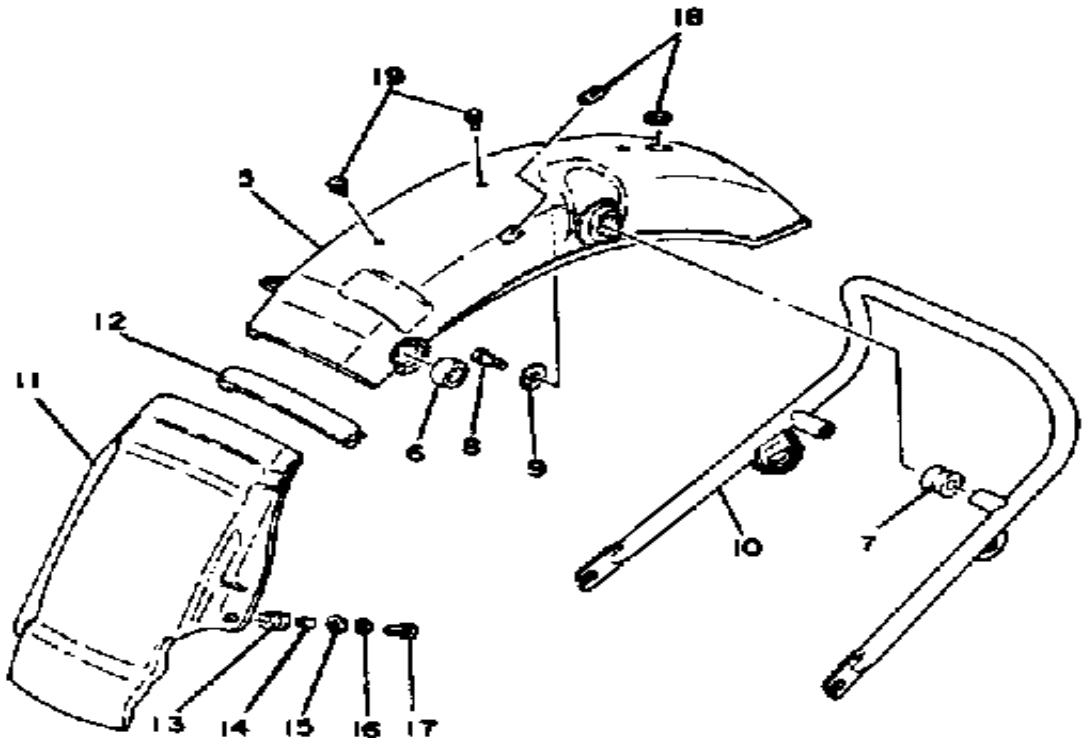
FRONT FENDER - REAR FENDER XS650D - E



Ref. No.	Part Number	Description	Qty	Remarks
1	1T3-21510-01-93	FENDER, FRONT	1	
2	97313-08020-00	BOLT, HEXAGON	4	
3	92990-08100-00	WASHER, SPRING	4	
4	1A0-21518-00-00	HOLDER, CABLE	1	
5	447-21610-02-93	FENDER, REAR	1	
6	447-21638-00-00	DAMPER 1	2	
7	168-21639-00-00	DAMPER 2	2	
8	90109-10349-00	BOLT	2	
9	90201-15239-00	WASHER, PLATE	2	
10	92990-10100-00	WASHER, SPRING	2	
11	90176-10013-00	NUT, CROWN	2	
12	(447-21629-01-00)	GUARD, MUD	1	
13	447-21268-01-00	SEAL	1	
14	90480-14023-00	GROMMET	3	
15	90387-07390-00	COLLAR	3	
16	90201-06067-00	WASHER, PLATE	3	
17	92995-06100-00	WASHER, SPRING	3	
18	98511-06025-00	SCREW PAN HEAD	3	
19	90480-15061-00	GROMMET	2	
	90480-15061-00	GROMMET	3	
20	(90464-04014-00)	CLAMP	1	

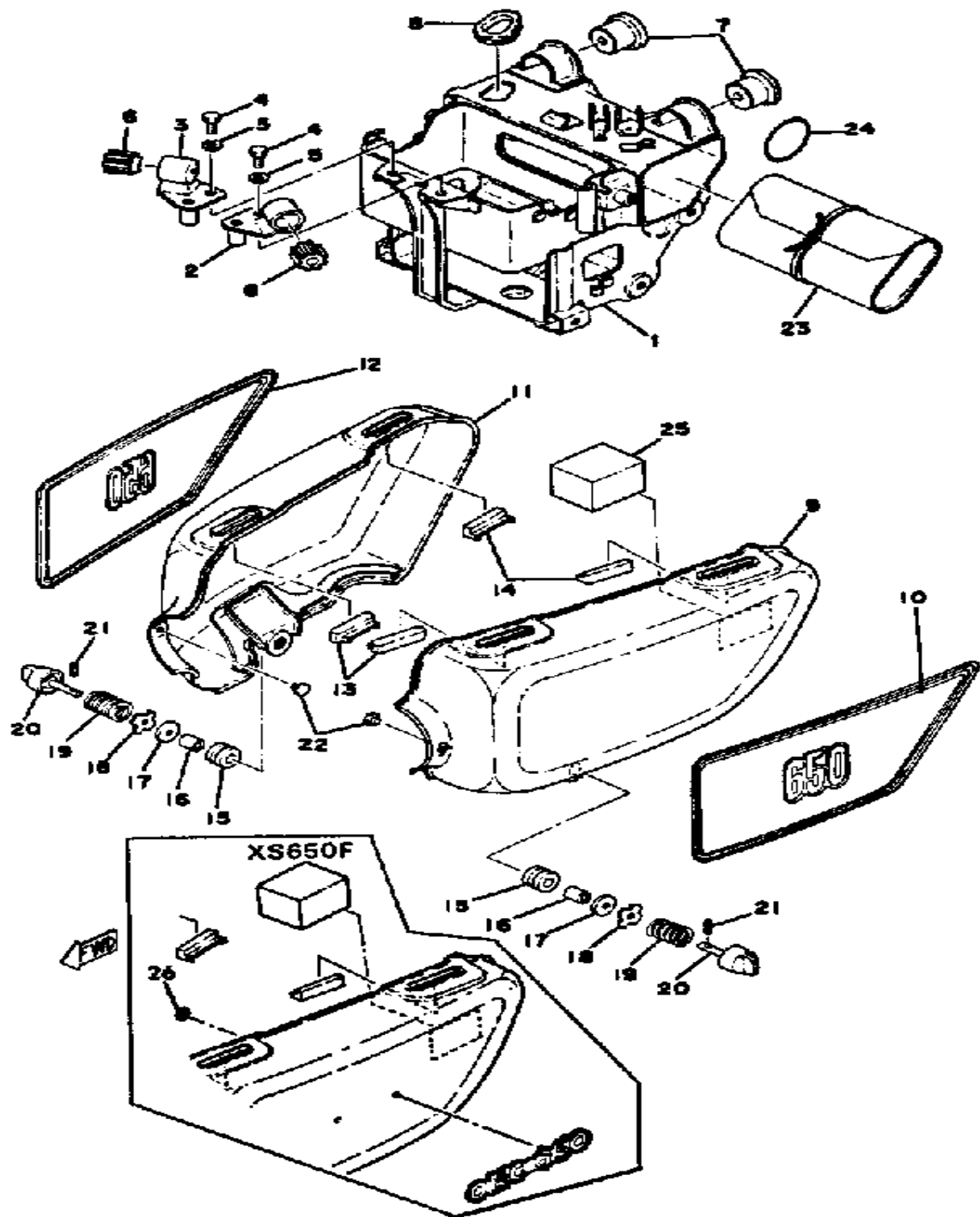


FRONT FENDER - REAR FENDER XS650



Ref. No.	Part Number	Description	Qty	Remarks
1	1T3-21510-01-93	FENDER, FRONT	1	
2	97313-08020-00	BOLT, HEXAGON	4	
3	92990-08100-00	WASHER, SPRING	4	
4	1A0-21518-00-00	HOLDER, CABLE	1	
5	447-21610-02-93	FENDER, REAR	1	
6	447-21638-00-00	DAMPER 1	2	
7	168-21639-00-00	DAMPER 2	2	
8	90109-10349-00	BOLT	2	
9	90201-15239-00	WASHER, PLATE	2	
10	(2F0-21645-00-00)	STAY, REAR	1	
11	(447-21629-01-00)	GUARD, MUD	1	
12	447-21268-01-00	SEAL	1	
13	90480-14023-00	GROMMET	3	
14	90387-07390-00	COLLAR	3	
15	90201-06067-00	WASHER, PLATE	3	
16	92995-06100-00	WASHER, SPRING	3	
17	98511-06025-00	SCREW PAN HEAD	3	
18	90480-15061-00	GROMMET	2	
19	(90464-04014-00)	CLAMP	2	

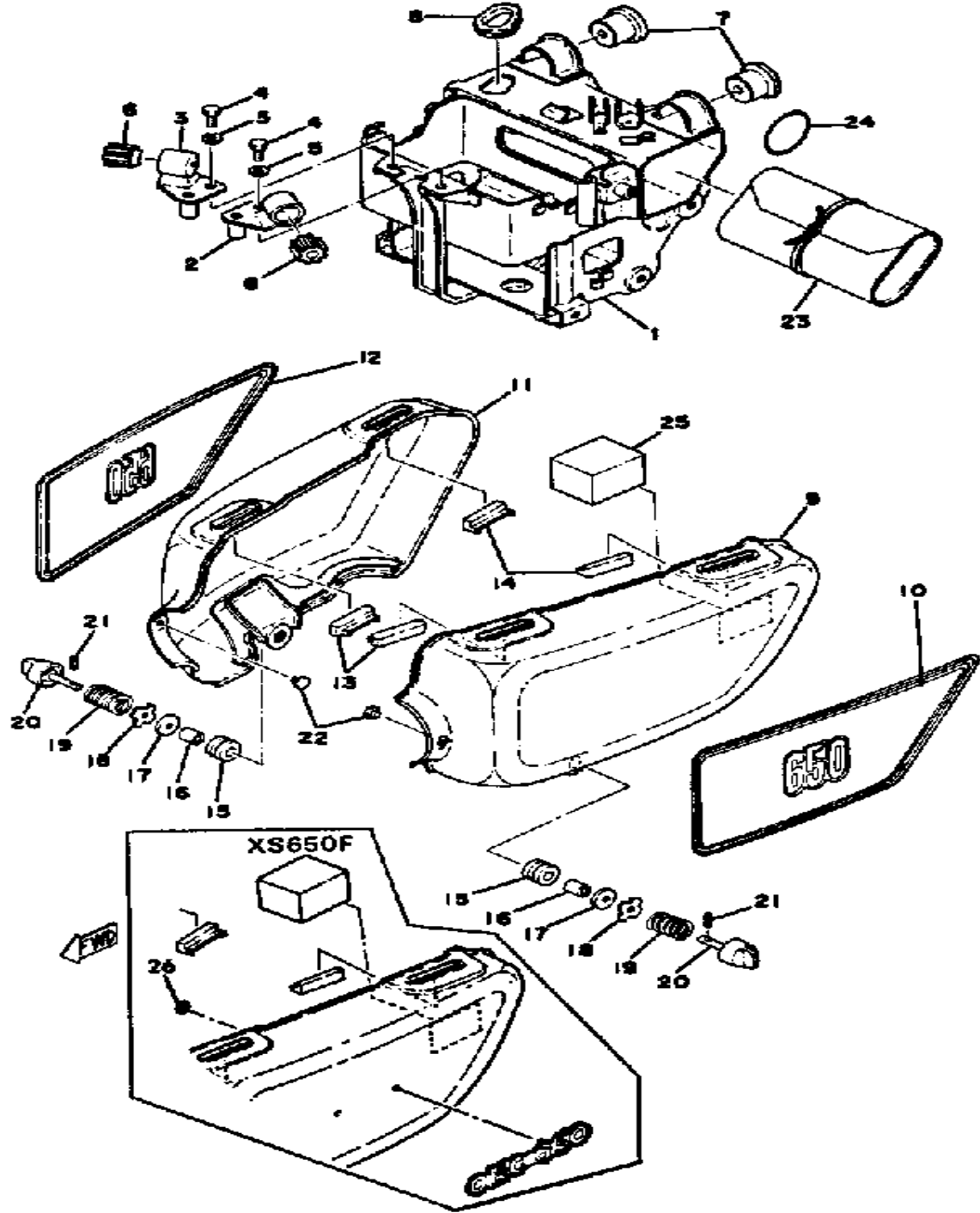
SIDE COVER - BATTERY BOX XS650D - E



Ref. No.	Part Number	Description	Qty	Remarks
1	(447-21170-04-33)	BOX, BATT.	1	YAMAHA BLK
2	447-21149-00-00	BRACKET, BATT BOX	1	
3	447-21344-00-00	BRACKET, BATT BOX	1	
4	97313-06016-00	BOLT, HEXAGON	2	
5	92995-06100-00	WASHER, SPRING	2	
6	2J2-21729-00-00	CLAMP, DAMPER	2	
7	256-21747-00-00	DAMPER	2	
8	(447-82128-00-00)	BRACKET, BATTERY	1	
9	(447-21711-01-J3)	COVER, SIDE 1	1	BOUNTIFUL BLUE
	(447-21711-01-T4)	COVER, SIDE 1	1	SPRUCE GREEN
	(447-21711-01-U8)	COVER, SIDE 1	1	MAXI MAROON
	2F0-21711-00-2G	UNAVAILABLE IN PRICE BOOK	1	COBALT BLUE
	447-21711-01-R7	COVER, SIDE 1	1	STAR BLACK
10	(1T3-21784-00-00)	EMBLEM 4	1	
	(2F0-21781-10-00)	EMBLEM 1	2	
	(2F0-21784-00-00)	EMBLEM 4	1	
11	(447-21721-01-J3)	COVER, SIDE 2	1	BOUNTIFUL BLUE
	(447-21721-01-R7)	COVER, SIDE 2	1	STAR BLACK
	(447-21721-01-T4)	COVER, SIDE 2	1	SPRUCE GREEN
	(447-21721-01-U8)	COVER, SIDE 2	1	MAXIM MAROON
	2F0-21721-00-2E	COVER, SIDE 2	1	COBALT BLUE
12	(1T3-21786-00-00)	EMBLEM 6	1	
	(2F0-21786-00-00)	EMBLEM 6	1	
13	447-21717-00-00	DAMPER	2	
14	447-21747-00-00	DAMPER	2	
15	90480-14023-00	GROMMET	2	
16	90387-07390-00	COLLAR	2	
17	90201-06063-00	WASHER, PLATE	2	
18	90209-06044-00	WASHER, SPEC'L SHAP	2	

CONTINUED ON NEXT FRAME ➤

SIDE COVER - BATTERY BOX XS650D - E



Ref. No.	Part Number	Description	Qty	Remarks
19	90501-18205-00	SPRING, COMPRESSION	2	
20	447-21714-01-00	KNOB, SIDE COVER 1	2	
21	91609-25015-00	PIN, SPRING	2	
22	256-21717-00-00	DAMPER	2	
23	3J3-W2810-00-00	TOOL KIT	1	
24	93210-40040-00	O-RING	1	
25	447-21746-00-00	DAMPER	1	
26	90183-04005-00	NUT, SPRING	4	

REAR ARM - REAR CUSHION - CHAIN CASE

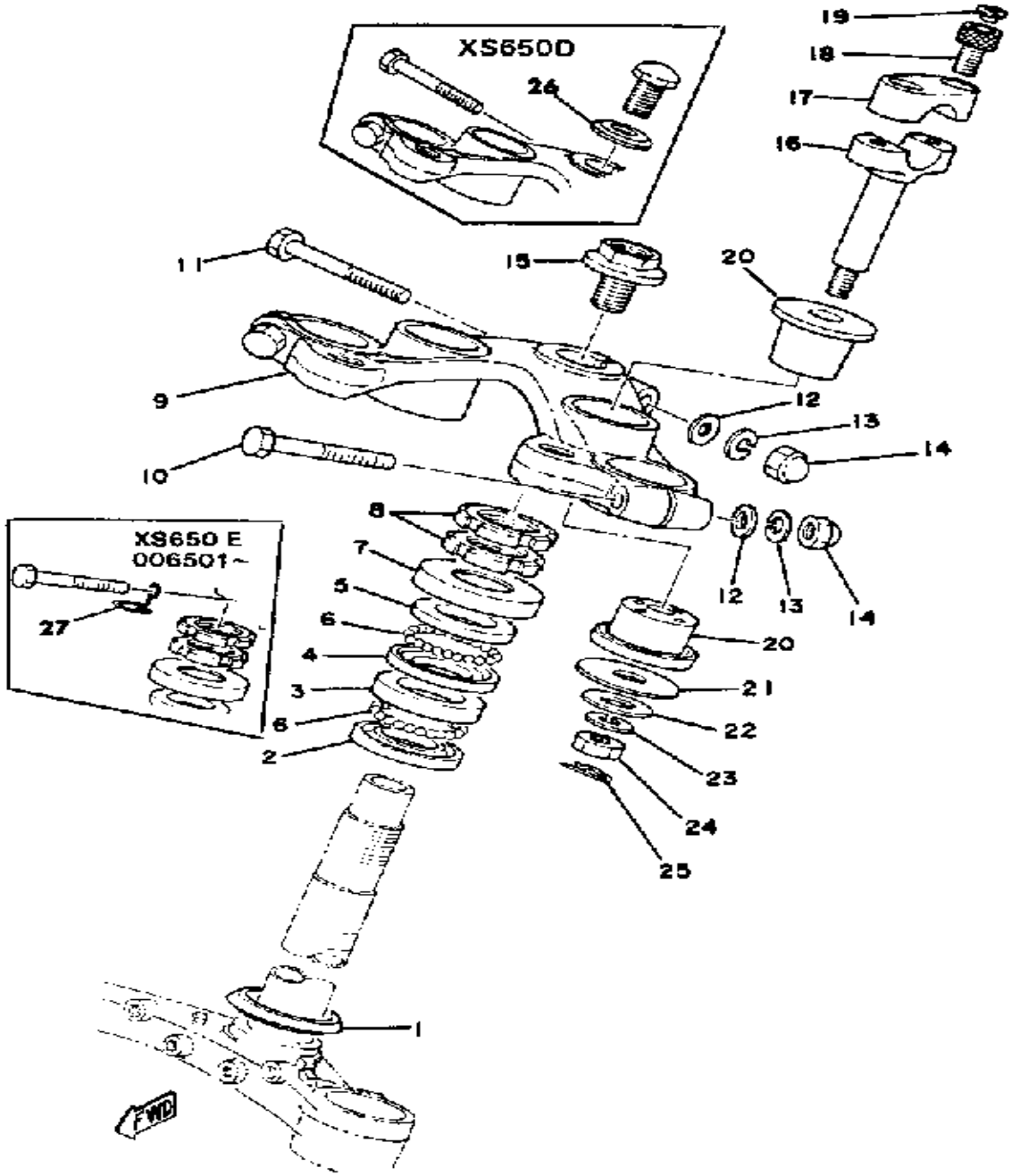
Ref. No.	Part Number	Description	Qty	Remarks
1	(447-22110-00-98)	REAR ARM	1	YAMAHA BLK
2	341-22184-00-00	BUSH	1	
3	90386-22102-00	BUSH, SPEC'L NYLON	2	
4	240-22127-00-00	SHIM (0.3T)	1	
5	447-22128-00-00	COVER, THRUST 1	2	
6	447-22141-00-00	SHAFT, PIVOT	1	
7	90215-14055-00	WASHER, LOCK	1	
8	90170-14403-00	NUT	1	
9	93700-06M03-00	NIPPLE, GREASE	2	
10	341-22177-00-00	BAR, COMPRESSION	2	
11	97313-08040-00	BOLT, HEXAGON (97322-08040)	2	
12	92990-08100-00	WASHER, SPRING	2	
13	(2F0-22210-10-00)	SHK/ABS ASSEMBLY, REAR .	2	5015 HEAVY DUTY
	1T3-22210-21-00	SHK/ABS ASSEMBLY, REAR .	2	
14	(1T3-22212-20-00)	SPRING	2	
	(2F0-22212-10-00)	SPRING	2	5015 HEAVY DUTY
15	(447-22211-21-00)	COVER	2	
16	341-22213-20-00	SEAT, SPRING UPPER	2	
17	90201-10142-00	WASHER, PLATE (341-22243-00)	2	
18	92990-10100-00	WASHER, SPRING	2	
19	90176-10009-00	NUT, CROWN	2	
	90176-10013-00	NUT, CROWN	2	
20	90106-10025-00	BOLT, DOME HEAD	2	
21	(2M0-22311-00-33)	CASE, CHAIN	1	LOW GLOSS BLK
22	90480-14023-00	. GROMMET	1	
23	90387-07390-00	COLLAR	1	
24	90201-06066-00	WASHER, PLATE	1	
25	97011-06025-00	BOLT (97001-06025)	1	

CONTINUED ON NEXT FRAME ►

REAR ARM - REAR CUSHION - CHAIN CASE

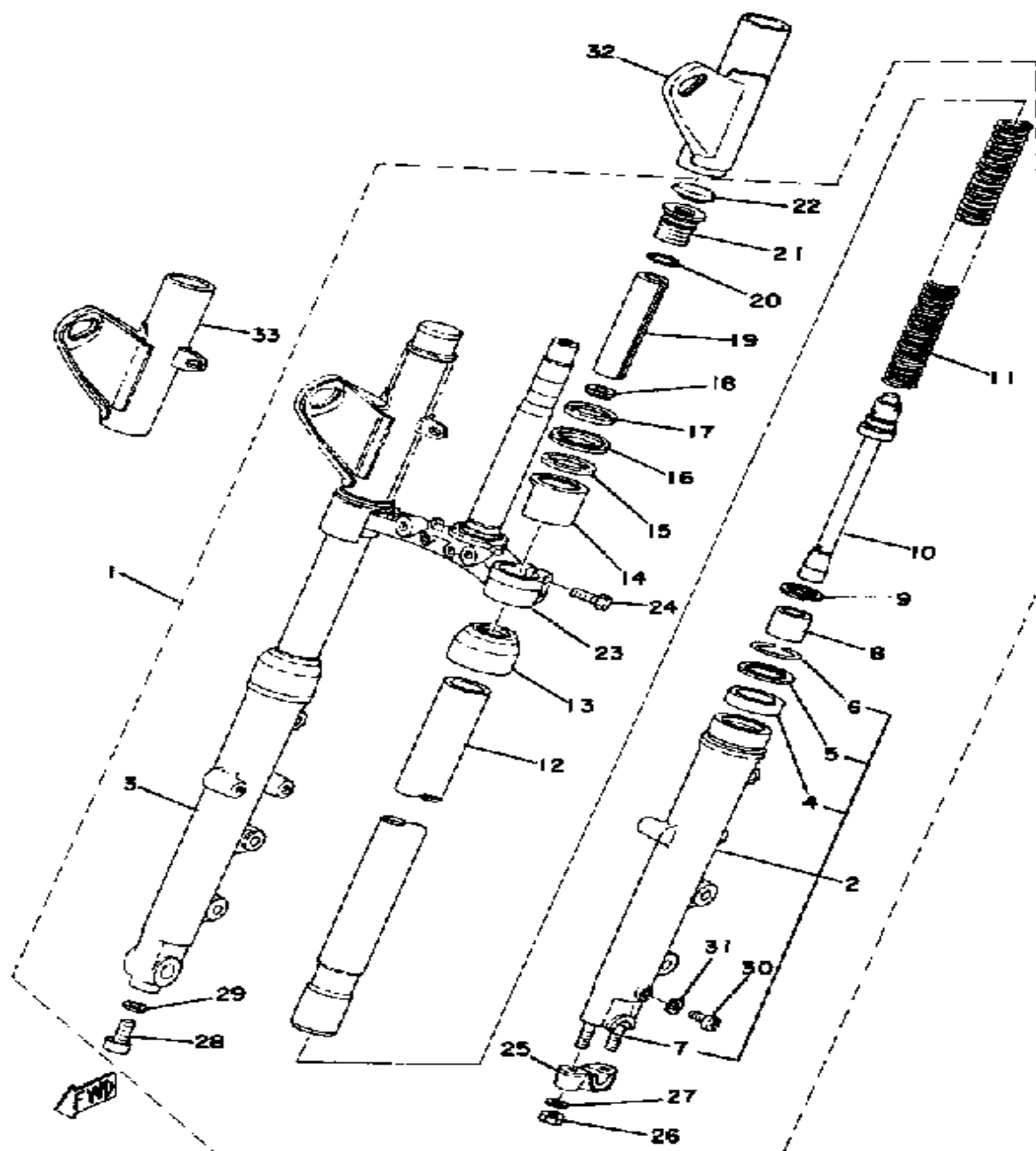
Ref. No.	Part Number	Description	Qty	Remarks
26	97023-06020-00	BOLT (3XF)	1	
27	(2F0-22210-10-00)	SHK/ABS ASSEMBLY, REAR .	2	HEAVY DUTY
	(2F0-22212-10-00)	SPRING	2	HEAVY DUTY
	90215-07164-00	WASHER, LOCK	1	

STEERING XS650D - E - E006501~ - F



Ref. No.	Part Number	Description	Qty	Remarks
1	164-23462-00-00	SEAL, STEERING	1	
2	256-23411-00-00	RACE, BALL 1	1	
3	256-23412-00-00	RACE, BALL 2	1	
4	256-23413-00-00	RACE, BALL 3	1	
5	256-23414-00-00	RACE, BALL 4	1	
6	93501-04011-00	. BALL	38	
7	136-23415-00-00	COVER, BALL RACE 1	1	
8	90179-25033-00	NUT	2	
9	1T3-23435-01-98	CROWN, HANDLE	1	LOW GLOSS BLK
10	97313-08050-00	BOLT, HEXAGON (90101-08125)	2	
11	97021-08065-00	BOLT	1	
12	90201-08083-00	WASHER, PLATE	3	
	92901-08600-00	WASHER, PLATE	6	
13	92990-08100-00	WASHER, SPRING	3	
14	95303-08800-00	NUT (CROWN) (95301-08800)	3	
15	90105-14102-00	BOLT, WASHER BASED	1	
16	256-23442-00-98	HOLDER, HANDLE LWR	2	LOW GLOSS BLK
17	360-23441-01-98	HOLDER, HANDLE UPR	2	LOW GLOSS BLK
18	91316-08020-00	BOLT	4	
19	341-23469-00-00	CAP, BOLT	4	
20	1T4-23434-00-00	HOLDER, DAMPER	4	
21	90201-12196-00	WASHER, PLATE	2	
22	90201-10149-00	WASHER, PLATE	2	
23	92990-10100-00	WASHER, SPRING	2	
24	95303-10700-00	NUT	2	
25	90468-12006-00	CLIP	2	
26	90209-14023-00	WASHER, SPEC'L SHAP (341-23443-00)	1	
27	4H7-23317-00-00	HOLDER, CABLE	1	5015

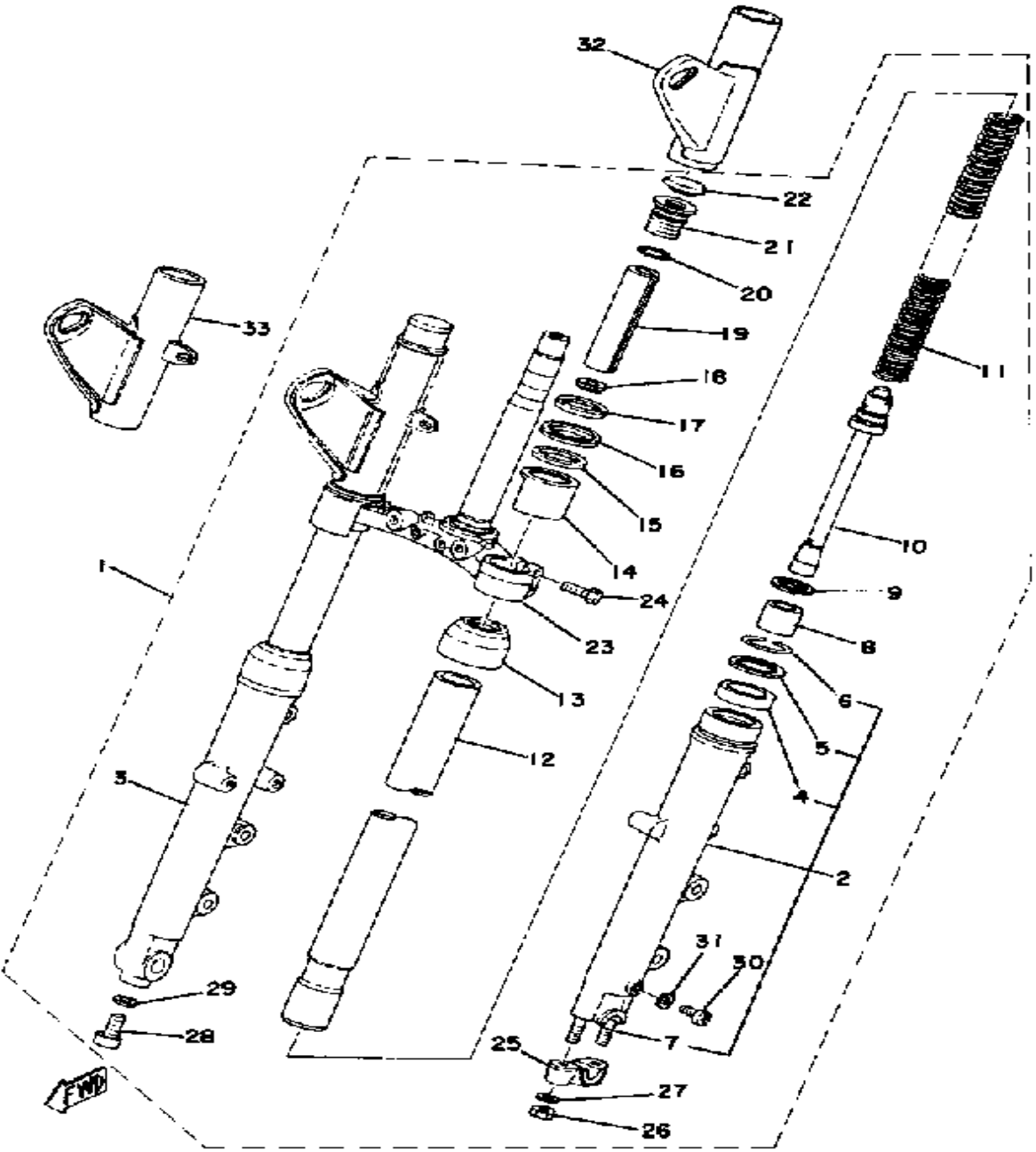
FRONT FORK XS650D



Ref. No.	Part Number	Description	Qty	Remarks
1	(2F0-23101-00-00)	FRONT FORK ASSEMBLY	1	
2	(1T3-23126-50-00)	TUBE, OUTER 1	1	
3	(1T3-23136-50-00)	TUBE, OUTER 2	1	
4	1T3-23145-00-00	.. OIL SEAL	2	
5	341-23146-50-00	.. WASHER, OIL SEAL	2	
6	341-23156-50-00	.. CLIP, OIL SEAL	2	
7	90116-08261-00	.. BOLT, STUD	2	
8	(434-23171-00-00)	PISTON, FRONT FORK	2	
9	93450-30033-00	. CIRCLIP, INNER	2	
10	(1T3-23170-50-00)	CYLINDER, FRTFRK	2	
11	1G3-23141-50-00	. UNAVAILABLE IN PRICE BOOK	2	
12	1G3-23124-50-00	. UNAVAILABLE IN PRICE BOOK	2	
13	1T3-23144-50-00	. SEAL, DUST	2	
14	(1T3-23122-50-00)	COVER, OUTER 1	2	
15	2H7-23163-00-00	. GASKET (42H-23163-00-00)	2	
16	(1T3-23116-50-00)	GUIDE, COVER LOWER	2	
17	(1T3-23146-50-00)	WASHER, OIL SEAL	2	
18	256-23142-60-00	. SEAT, SPRING UPPER	2	
19	(498-23118-00-00)	SPACER	2	
20	2F0-23114-00-00	. GASKET	2	
	2F0-23114-00-00	. GASKET	2	
21	1T3-23111-50-00	. BOLT, CAP	2	
22	1T3-23168-50-00	. CAP, FRONT FORK	2	
23	1U3-23340-30-33	. UNDER BRACKET	1	YAMAHA BLK
24	18G-23128-00-00	. BOLT, WWASHER	4	
25	341-23167-50-00	. HOLDER, AXLE	1	
26	90185-08089-00	. NUT, SELF-LOCKING	2	

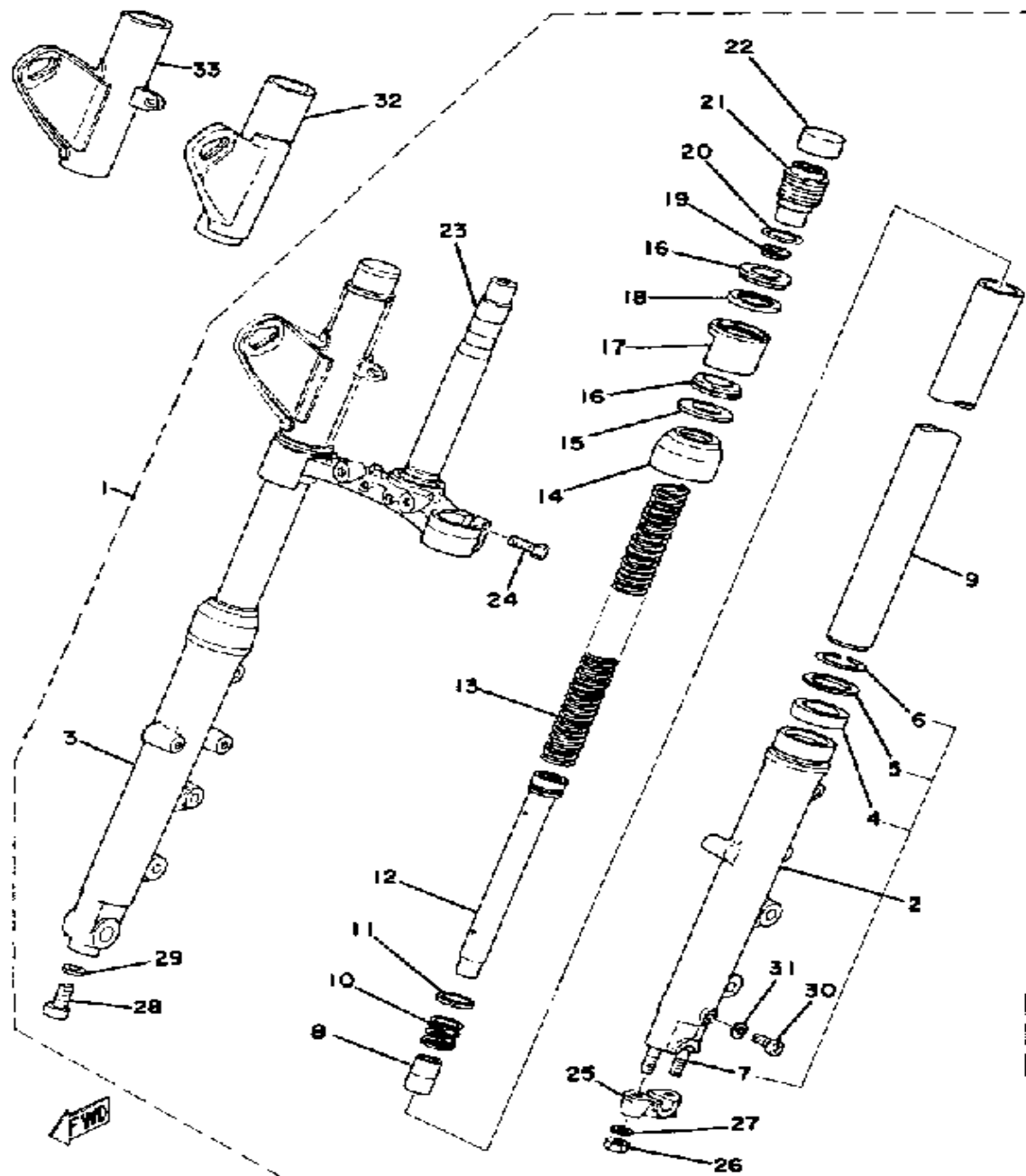
CONTINUED ON NEXT FRAME ►

FRONT FORK XS650D



Ref. No.	Part Number	Description	Qty	Remarks
27	92901-08600-00	. WASHER, PLATE	2	
28	1T3-23181-50-00	. BOLT, HEX SCKT HEAD	2	
29	509-23158-L0-00	. GASKET	2	
30	98580-04008-00	. SCREW, PAN HEAD	2	
31	122-23129-00-00	. GASKET, DRAIN PLUG	2	
32	(447-23121-51-93)	COVER, UPPER 1	1	
33	(447-23131-51-93)	COVER, UPPER 2	1	

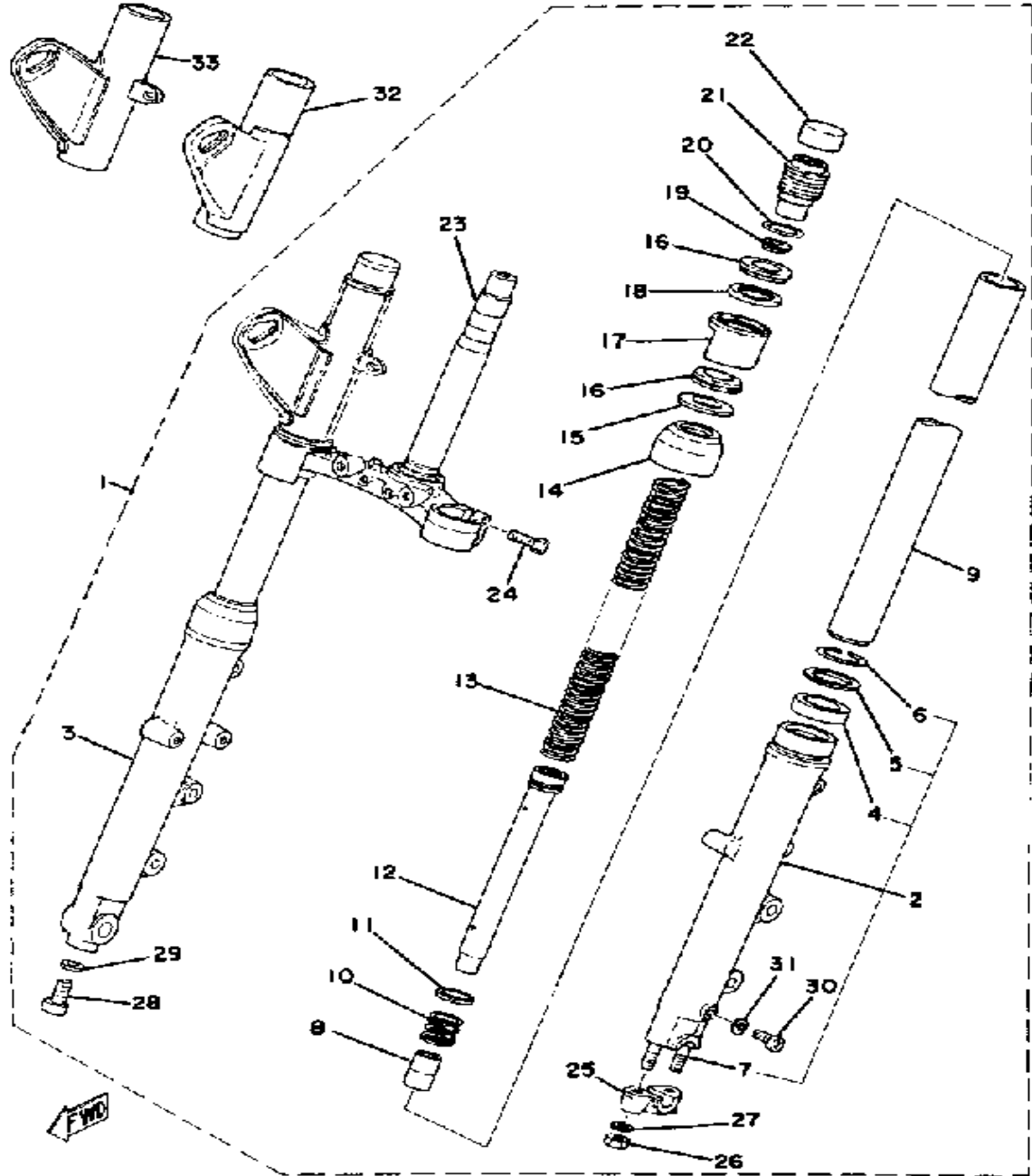
FRONT FORK XS650E - E006501~ - F



Ref. No.	Part Number	Description	Qty	Remarks
1	(3L1-23101-00-00)	FRONT FORK ASSEMBLY	1	
2	2F0-23126-00-00	. TUBE, OUTER 1	1	
3	2F0-23136-00-00	. TUBE, OUTER 2	1	
4	1T3-23145-00-00	.. OIL SEAL	2	
5	341-23146-50-00	.. WASHER, OIL SEAL	2	
6	341-23156-50-00	.. CLIP, OIL SEAL	2	
7	90116-08261-00	.. BOLT, STUD	2	
8	1W1-23173-L0-00	. SPINDLE, TAPER	2	
9	2F0-23110-00-00	. INNER TUBE 1	2	
10	(2F0-23151-00-00)	SPRING, REBOUND	2	
11	2F0-23157-00-00	. RING, PISTON FRTRFRK	2	
12	2F0-23170-00-00	. CYLINDER, FRTRFRK	2	
13	(2F0-23141-10-00)	SPRING, FRONT FORK	1	
	(2F0-23141-10-00)	SPRING, FRONT FORK	2	
	2F0-23141-00-00	. SPRING, FRONT FORK	2	
14	1T3-23144-50-00	. SEAL, DUST	2	
15	(1T3-23146-50-00)	WASHER, OIL SEAL	2	
16	1T3-23163-51-00	. GASKET	4	
17	(1T3-23122-51-00)	COVER, OUTER 1	2	
18	1T3-23116-51-00	. GUIDE, COVER LOWER	2	
19	2F0-23114-00-00	. GASKET	2	
	2F0-23149-00-00	. WASHER, SPRING UPR	2	
21	2F0-23111-00-00	. BOLT, CAP	2	
22	2F0-23168-00-00	. CAP, FRONT FORK	2	
23	1U3-23340-30-33	. UNDER BRACKET	1	YAMAHA BLK
24	18G-23128-00-00	. BOLT, W/WASHER	4	
25	341-23167-50-00	. HOLDER, AXLE	1	
26	90185-08089-00	. NUT, SELF-LOCKING	2	
27	92901-08600-00	. WASHER, PLATE	2	

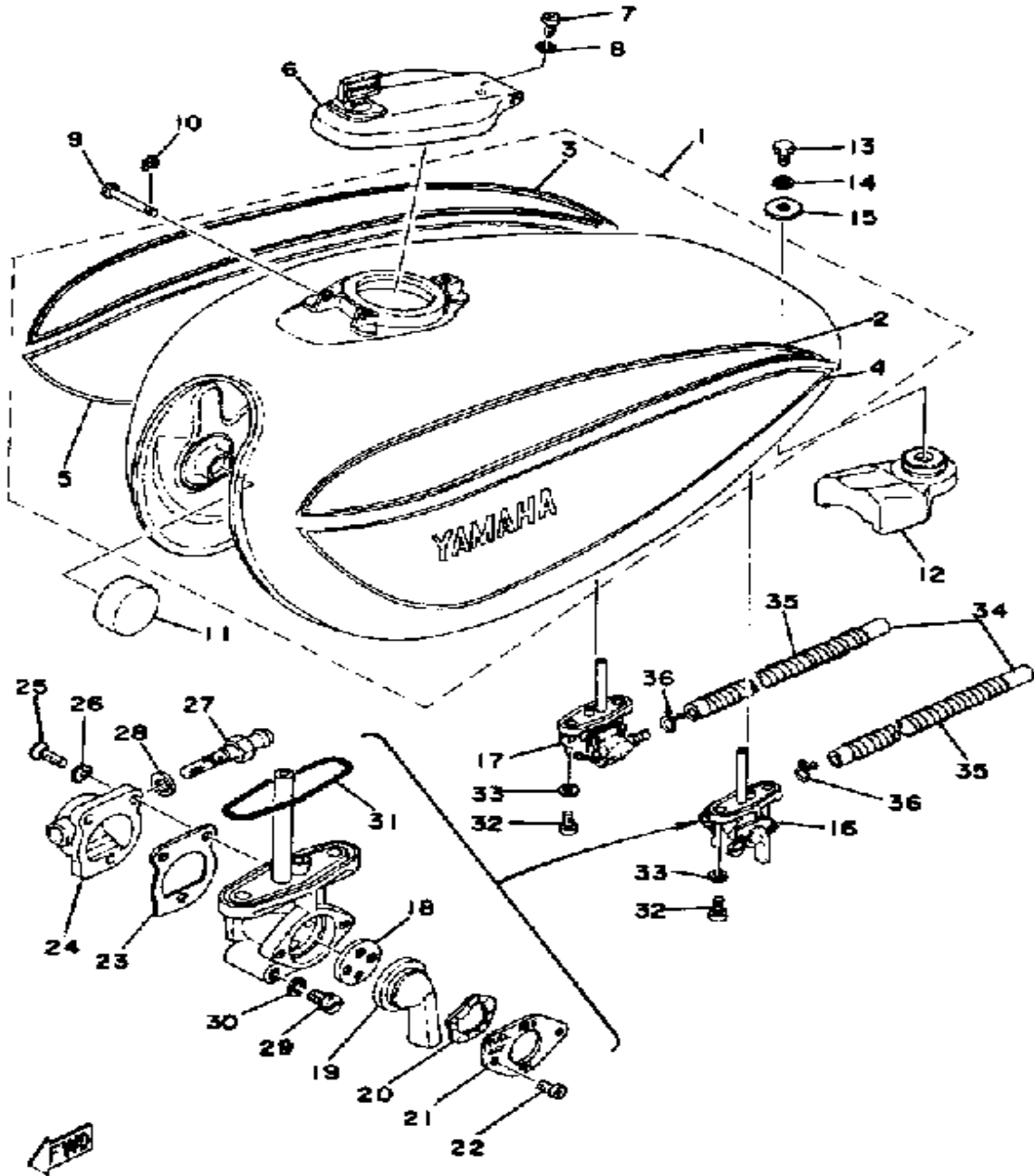
CONTINUED ON NEXT FRAME ➤

FRONT FORK XS650E - E006501~ - F



Ref. No.	Part Number	Description	Qty	Remarks
28	278-23181-50-00	. BOLT, HEXAGON SOCKET HEAD	2	
29	509-23158-L0-00	. GASKET	2	
30	98580-04008-00	. SCREW, PAN HEAD	2	
31	122-23129-00-00	. GASKET, DRAIN PLUG	2	
32	1T3-23121-51-93	COVER, UPPER 1	1	
33	1T3-23131-51-93	COVER, UPPER 2	1	

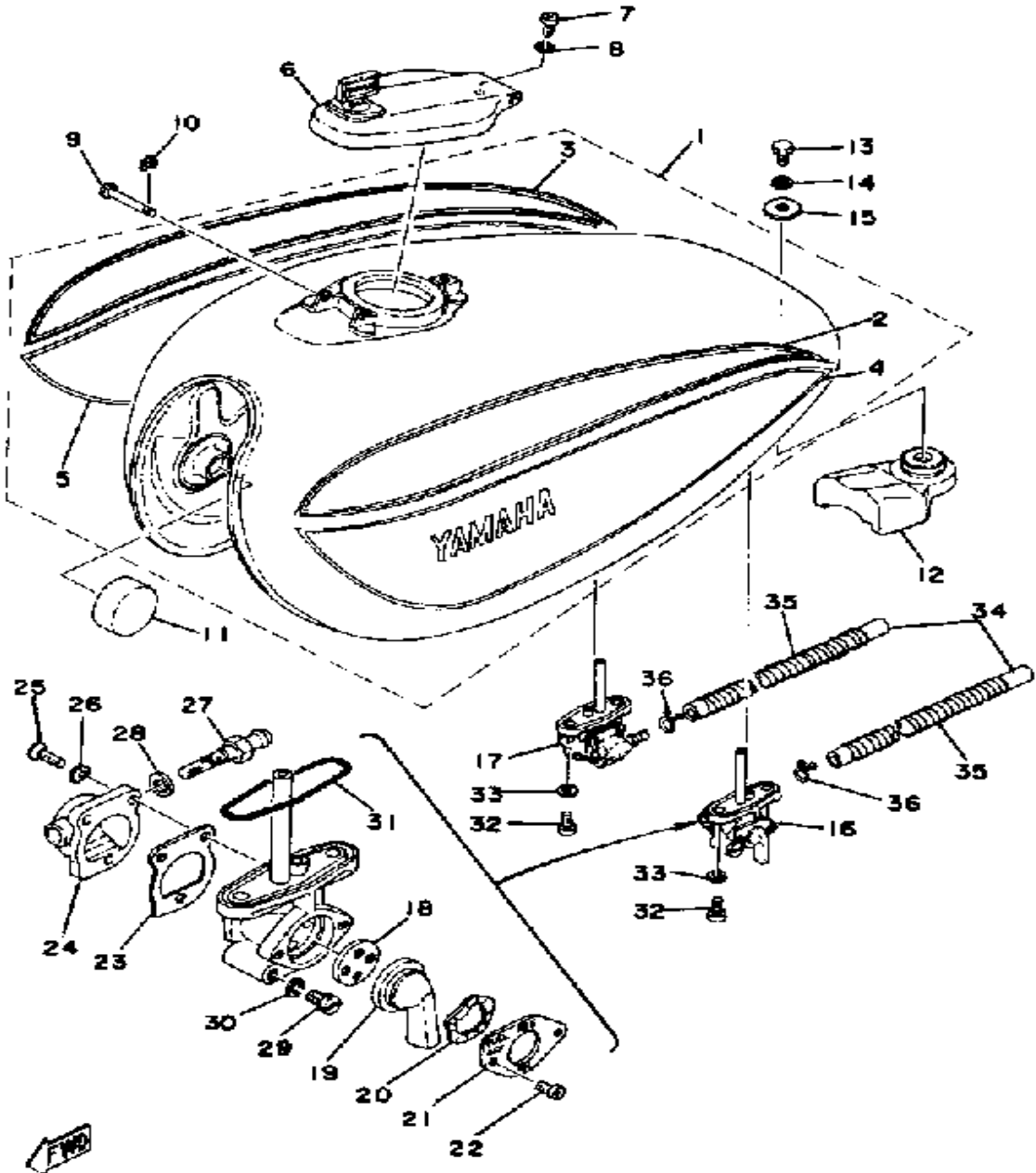
FUEL TANK XS650D



Ref. No.	Part Number	Description	Qty	Remarks
1	(584-24110-01-X2)	FUEL TANK	1	MAXI MAROON
	(584-24110-01-X6)	FUEL TANK	1	BOUNTIFUL BLUE
2	(1T3-24244-01-00)	GRAPHIC, FUEL TNK 1	1	FOR MAXI MAROON
	(1T3-24244-10-00)	GRAPHIC, FUEL TNK 1	1	FOR BOUNTIFUL BLUE
3	(1T3-24245-10-00)	GRAPHIC, FUEL TNK 2	1	FOR BOUNTIFUL BLUE
	1G3-24245-01-00	. UNAVAILABLE IN PRICE BOOK (1T3-24245-00)	1	FOR MAXI MAROON
4	(1T3-24246-01-00)	GRAPHIC, FUEL TNK 3	1	FOR MAXI MAROON
	(1T3-24246-10-00)	GRAPHIC, FUEL TNK 3	1	FOR BOUNTIFUL BLUE
5	(1T3-24247-01-00)	GRAPHIC, FUEL TNK 4	1	FOR MAXI MAROON
	1T3-24247-10-00	. GRAPHIC, FUEL TNK 4	1	FOR BOUNTIFUL BLUE
6	1E7-24602-00-00	CAP ASSEMBLY	1	
7	92990-05100-00	WASHER, SPRING	1	
	98580-05010-00	SCREW, PAN HEAD	1	
9	90249-03123-00	PIN, SPEC'L SHAPE	1	
10	93430-02001-00	CIRCLIP	1	
11	278-24181-00-00	DAMPER, LOCATING 1	2	
12	256-24181-01-00	DAMPER, LOCATING 1	1	
13	97011-06016-00	BOLT (97021-06016)	1	
14	92995-06100-00	WASHER, SPRING	1	
15	90201-06075-00	WASHER, PLATE	1	
16	447-24500-02-00	FUEL COCK ASSEMBLY 1 ...	1	
17	447-24510-02-00	FUEL COCK ASSEMBLY 2 ...	1	
18	137-24523-00-00	. GASKET	2	
19	(447-24524-10-00)	LEVER, COCK	1	
	447-24524-00-00	. LEVER, COCK	1	

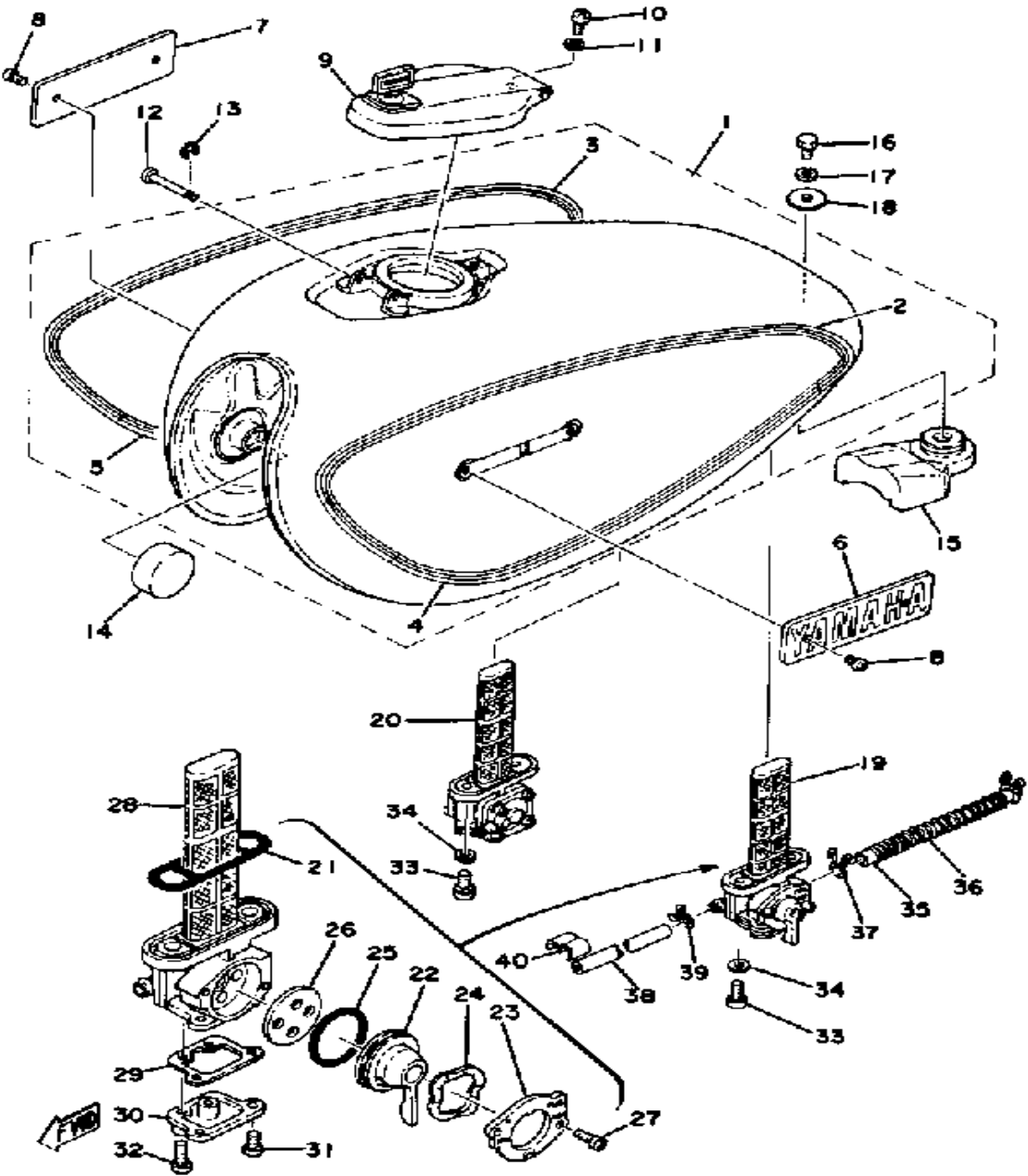
CONTINUED ON NEXT FRAME ➤

FUEL TANK XS650D



Ref. No.	Part Number	Description	Qty	Remarks
20	132-24518-00-00	. WASHER, WAVE	2	
21	(447-24546-00-00)	PLATE, LVR FITTING	1	
	447-24525-00-00	. PLATE, LEVER FITTING	1	
22	98580-03008-00	. SCREW, PAN HEAD	4	
23	447-24522-00-00	. GASKET	2	
24	(447-24547-00-00)	COVER, FILTER	1	
	(447-24547-10-00)	COVER, FILTER	1	
25	98701-04010-00	. SCREW, FLAT HEAD	6	
26	(92901-04500-00)	WASHER, EX.TOOTH	6	
27	256-24537-00-00	. NIPPLE	2	
28	256-24528-00-00	. GASKET	2	
29	98580-05006-00	. SCREW, PAN HEAD	2	
30	801-24437-00-00	. GASKET, BODY 4	2	
31	256-24512-00-00	. GASKET	2	
32	90149-06011-00	SCREW	4	
33	90202-05187-00	WASHER, PLATE	4	
34	90445-09079-00	HOSE (5-140) (170-24311-00) ..	4	
35	(90501-06028-00)	SPRING, COMPRESSION	2	
36	90467-08003-00	CLIP	4	

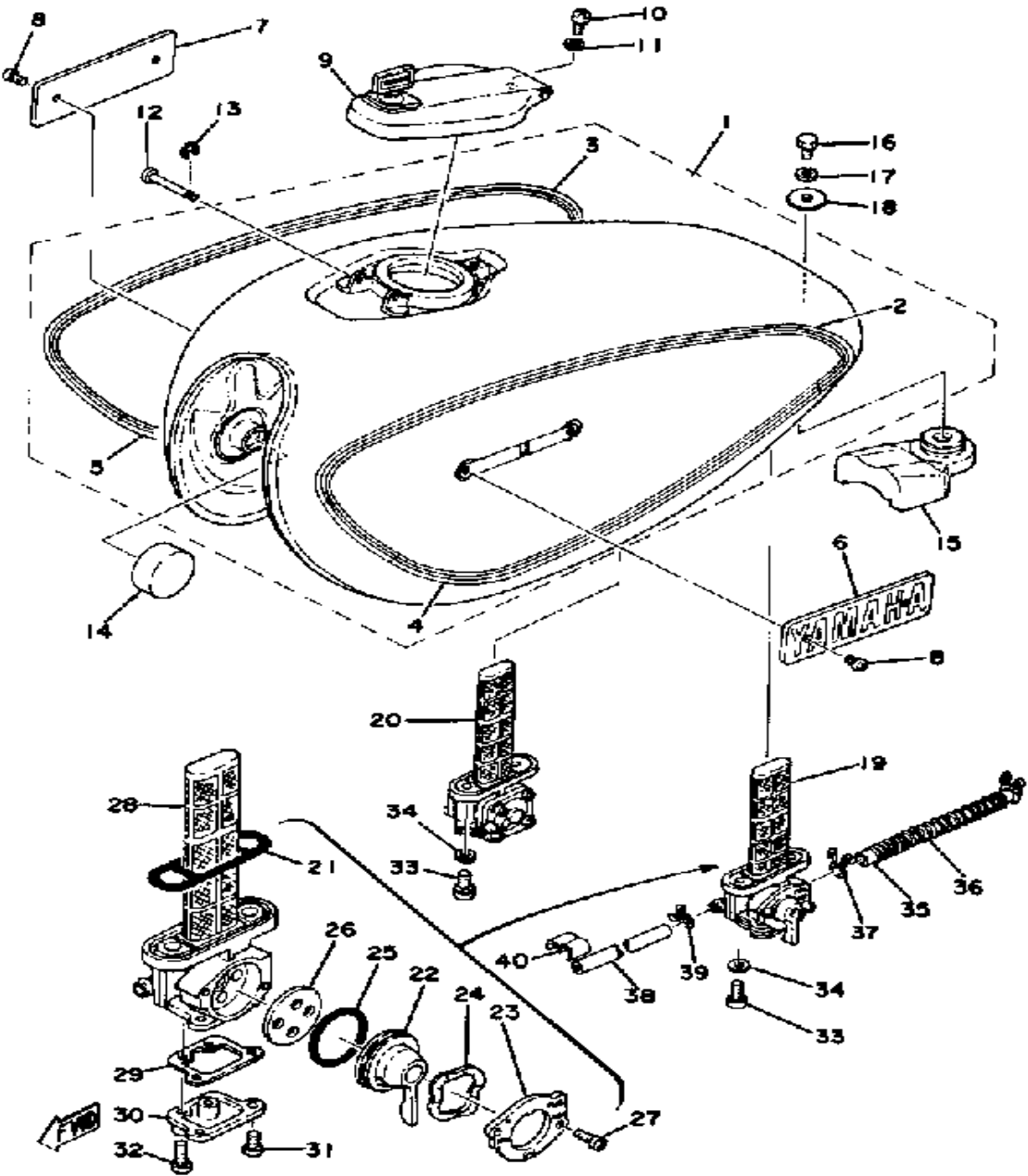
FUEL TANK XS650E - E006501~



Ref. No.	Part Number	Description	Qty	Remarks
1	(2F0-24110-00-01)	FUEL TANK	1	STAR BLACK
	(2F0-24110-00-02)	FUEL TANK	1	SPRUCE GREEN
2	(2F0-24244-00-00)	. GRAPHIC, FUEL TNK 1	1	
3	(2F0-24245-00-00)	. GRAPHIC, FUEL TNK 2	1	
4	(2F0-24246-00-00)	. GRAPHIC, FUEL TNK 3	1	
5	(2F0-24247-00-00)	. GRAPHIC, FUEL TNK 4	1	
6	2F0-24161-10-00	EMBLEM 1	1	
7	2F0-24162-10-00	EMBLEM 2	1	
8	90152-04006-00	SCREW, COUNTERSUNK	4	
9	1E7-24602-00-00	CAP ASSEMBLY	1	
10	98580-05010-00	. SCREW, PAN HEAD	1	
11	92990-05100-00	WASHER, SPRING	1	
12	90249-03123-00	PIN, SPEC'L SHAPE	1	
13	93430-02001-00	CIRCLIP	1	
14	278-24181-00-00	DAMPER, LOCATING 1	2	
15	256-24181-01-00	DAMPER, LOCATING 1	1	
16	97011-06016-00	BOLT (97021-06016)	1	
17	92995-06100-00	WASHER, SPRING	1	
18	90201-06075-00	WASHER, PLATE	1	
19	2F0-24500-01-00	FUEL COCK ASSEMBLY 1 ...	1	
20	2F0-24510-01-00	FUEL COCK ASSEMBLY 2 ...	1	
21	1J7-24512-00-00	. GASKET	2	
22	1J7-24524-00-00	. LEVER, COCK	1	1
23	1J7-24525-00-00	. PLATE, LVR FITTING	1	
24	(1J7-24525-10-00)	. PLATE, LVR FITTING	1	
	1J7-24518-00-00	. WASHER, WAVE	2	
25	1J7-24534-00-00	. SEAL, COCK	2	
26	1J7-24523-00-00	. VALVE	2	
27	(98601-03010-00)	. SCREW, OVAL HEAD	4	

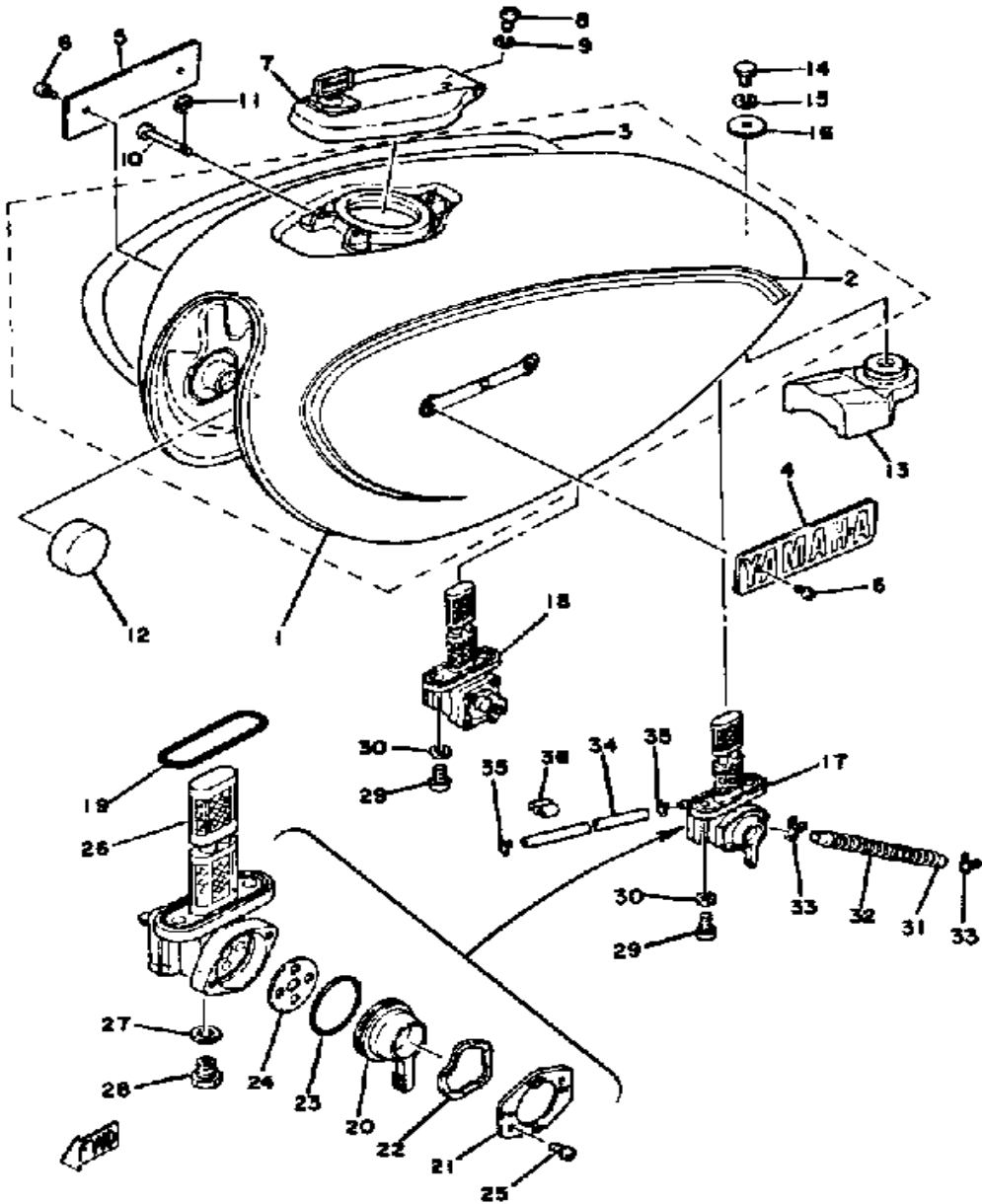
CONTINUED ON NEXT FRAME ➤

FUEL TANK XS650E - E006501~



Ref. No.	Part Number	Description	Qty	Remarks
28	(2F0-24514-00-00)	. NET, FILTER 1	2	
29	1J7-24522-00-00	. GASKET	2	
30	(2F0-24521-00-00)	. CUP, FILTER	1	
	(2F0-24521-10-00)	. CUP, FILTER	1	
31	97601-04112-00	. SCREW, PN/HD.W/WSHR (97602-04112-00)	4	5015
	98701-04008-00	. SCREW, FLAT HEAD	4	
32	(98601-04012-00)	. SCREW, OVAL HEAD 0 0 ...	4	5015
	98701-04016-00	. SCREW, FLAT HEAD (98702-04016)	4	
33	90149-06008-00	SCREW	4	
34	90202-05187-00	WASHER, PLATE	4	
35	90445-10133-00	HOSE	2	
36	90504-06023-00	SPRING, COMPRESSION	2	
37	90467-09006-00	CLIP	4	
38	90445-07176-00	HOSE	2	
	90445-07370-00	HOSE (L850)	2	5015
39	90467-07029-00	CLIP	4	
40	90464-60067-00	CLAMP	2	

FUEL TANK XS650F

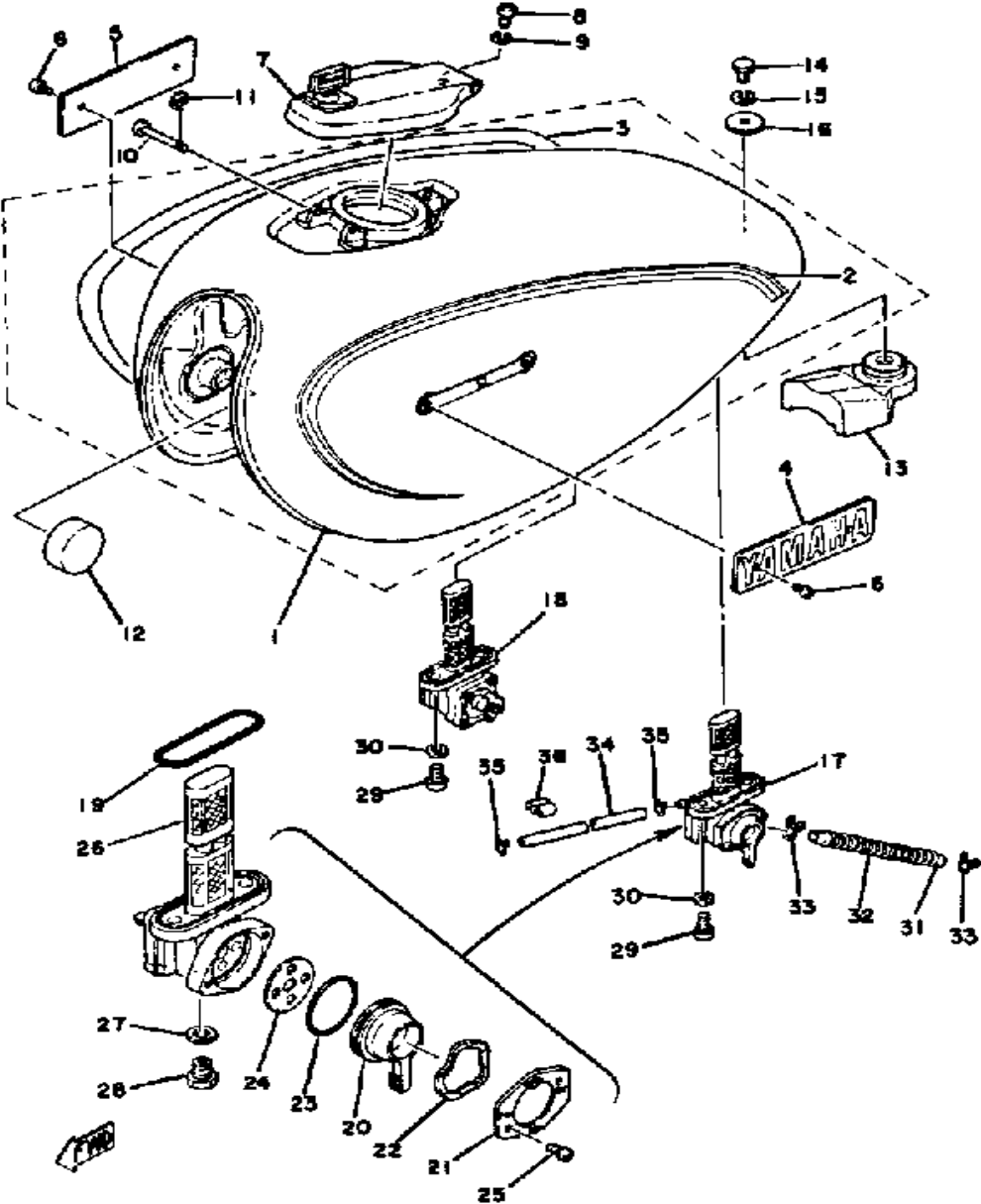


Fuel Type/Fuel Tank Capacity/Reserve Capacity Regular / 15 Lit. (4 Gal.) / 2.5 Lit. (0.6 Gal.)

Ref. No.	Part Number	Description	Qty	Remarks
1	(2F0-24110-00-03)	FUEL TANK	1	COBALT BLUE
2	(2F0-24244-10-00)	GRAPHIC, FUEL TNK 1	1	
3	(2F0-24245-10-00)	GRAPHIC, FUEL TNK 2	1	
4	2F0-24161-10-00	EMBLEM 1	1	
5	2F0-24162-10-00	EMBLEM 2	1	
6	90152-04006-00	SCREW, COUNTERSUNK	4	
7	1E7-24602-00-00	CAP ASSEMBLY	1	
8	98580-05010-00	SCREW, PAN HEAD	1	
9	92990-05100-00	WASHER, SPRING	1	
10	90249-03123-00	PIN, SPEC'L SHAPE	1	
11	93430-02001-00	CIRCLIP	1	
12	278-24181-00-00	DAMPER, LOCATING 1	2	
13	256-24181-01-00	DAMPER, LOCATING 1	1	
14	97011-06016-00	BOLT (97021-06016)	1	
15	92995-06100-00	WASHER, SPRING	1	
16	90201-06075-00	WASHER, PLATE	1	
17	2M0-24500-04-00	FUEL COCK ASSEMBLY 1 (2M0-24500-03)	1	
18	2M0-24510-04-00	FUEL COCK ASSEMBLY 2 (2M0-24510-02)	1	
19	2G2-24512-00-00	. GASKET	2	
20	(2G2-24524-00-00)	LEVER, COCK	1	1
21	(2G2-24525-00-00)	PLATE, LVR FITTING	1	
	2G2-24525-10-00	. PLATE, LVR FITTING	1	
22	16G-24518-00-00	. WASHER, WAVE	2	
23	UNA-VAILA-BL-EI 0 0			
24	16G-24523-00-00	. VALVE	2	
25	98580-03008-00	. SCREW, PAN HEAD	4	
26	2G2-24514-00-00	. NET, FILTER 1	2	

CONTINUED ON NEXT FRAME ►

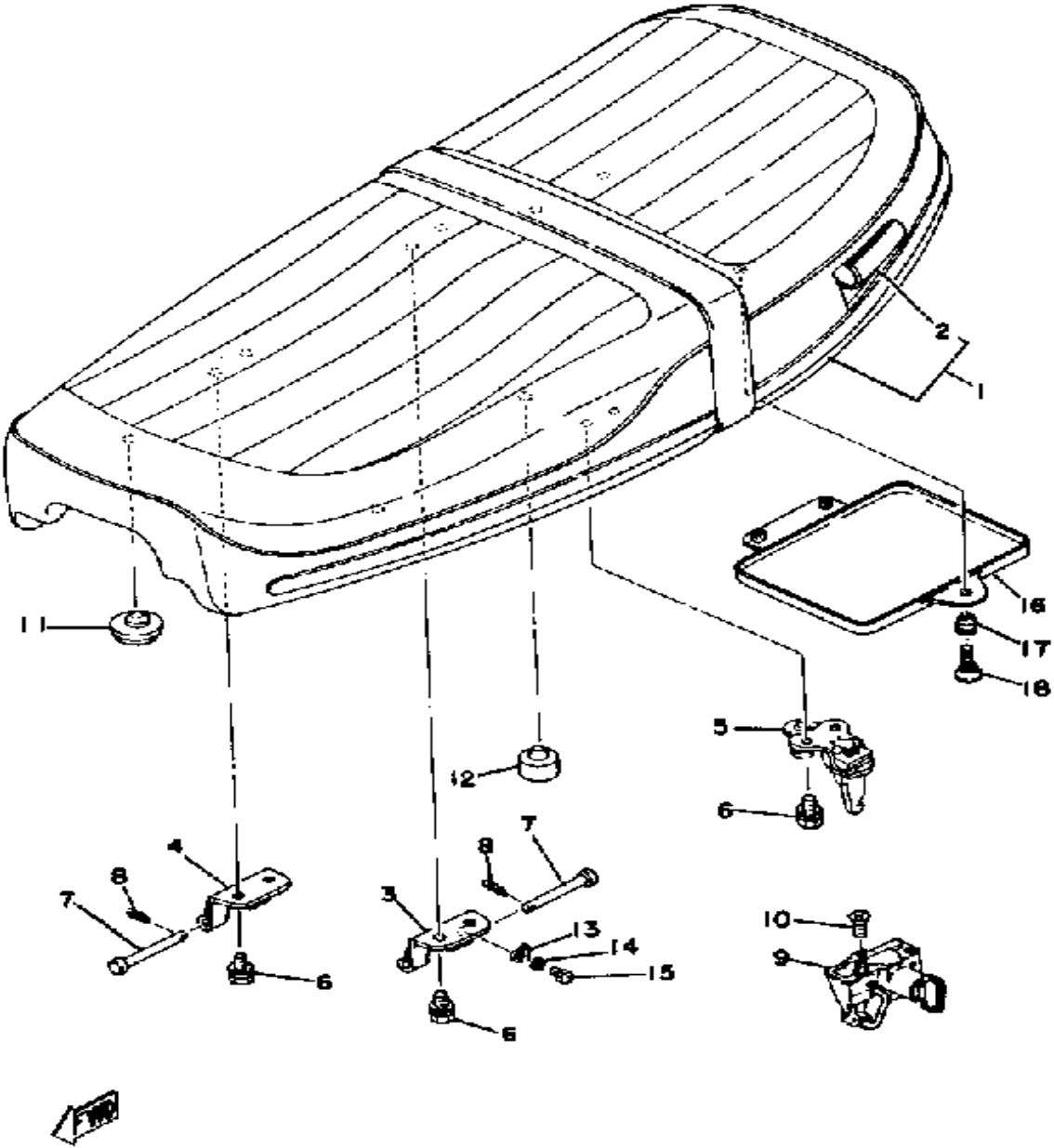
FUEL TANK XS650F



Ref. No.	Part Number	Description	Qty	Remarks
27	2G2-24522-00-00	. GASKET	2	
28	2G2-24543-00-00	. PLUG, DRAIN	1	
29	90149-06008-00	SCREW	4	
30	90202-05187-00	WASHER, PLATE	4	

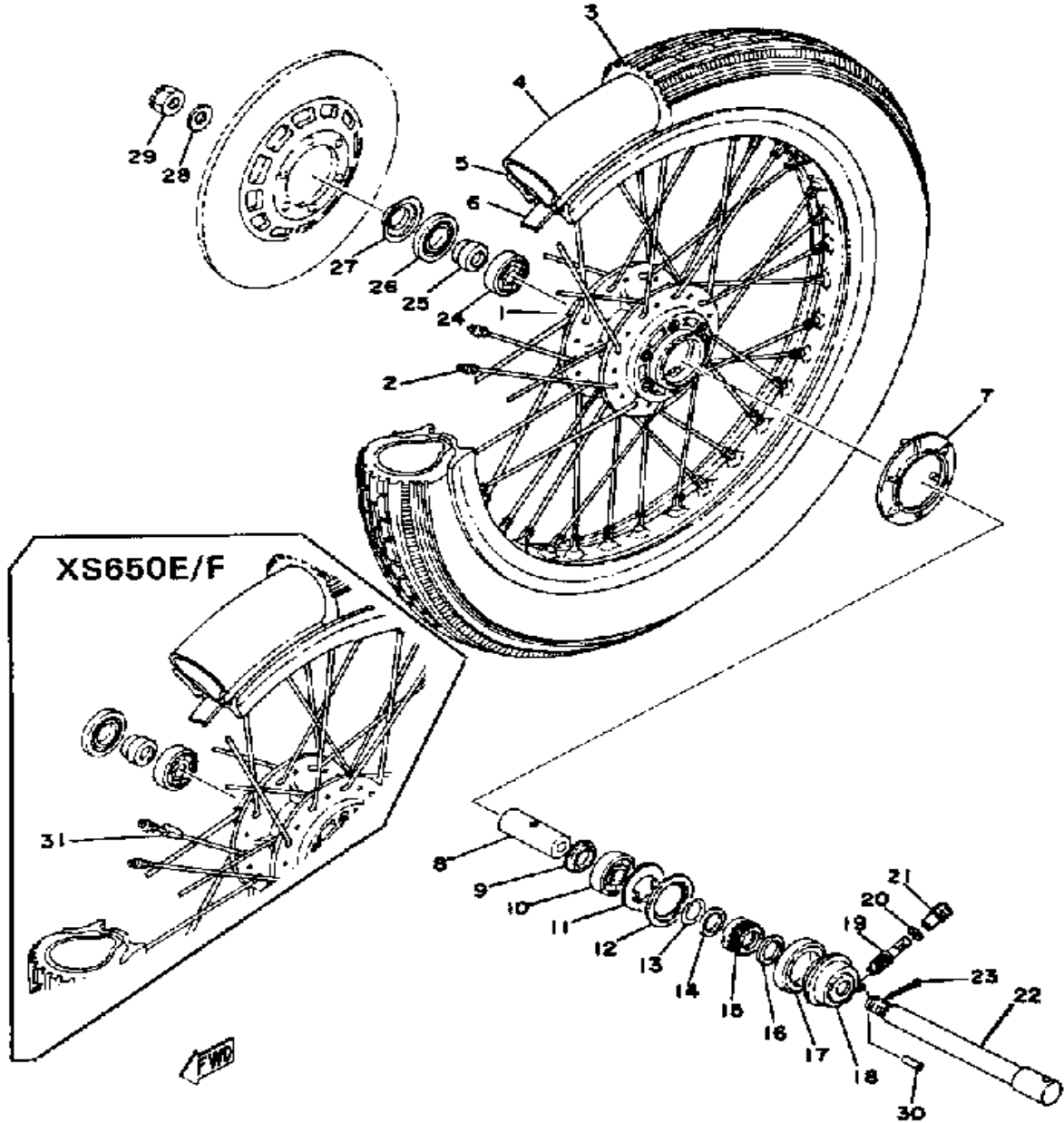
Fuel Type/Fuel Tank Capacity/Reserve Capacity Regular / 15 Lit. (4 Gal.) / 2.5 Lit. (0.6 Gal.)

SEAT XS650D - E - E006501~ - F



Ref. No.	Part Number	Description	Qty	Remarks
1	1T3-W2472-00-00	DOUBLE SEAT ASSEMBLY (1T3-24730-90)	1	
	2F0-24780-90-00	UNAVAILABLE IN PRICE BOOK	1	
2	(2F0-24731-00-00)	COVER, DOUBLE SEAT	1	
	1T3-24731-00-00	. COVER, DOUBLE SEAT	1	
3	389-24726-00-33	HINGE, SEAT	1	YAMAHA BLK
4	371-24726-01-00	HINGE, SEAT	1	
5	371-24728-02-00	BRACKET, SEAT	1	
6	90101-06304-00	BOLT	6	
7	91701-05055-00	PIN, CLEVIS	2	
8	90468-10050-00	CLIP	2	
9	584-24705-00-00	SEAT LOCK ASSEMBLY	1	
10	98706-06012-00	SCREW, FLAT HEAD	2	
11	1L9-24741-00-00	PAD, SEAT	4	
12	278-27114-00-00	STOPPER, MAIN STAND	1	
13	389-24756-00-00	COVER, TAIL	1	
14	92995-06100-00	WASHER, SPRING	1	
15	97011-06010-00	BOLT (97021-06010)	1	
16	2R6-28185-00-00	LID	1	
17	90480-06007-00	GROMMET (341-28187-00)	1	
18	341-28188-00-00	PLUNGER	1	

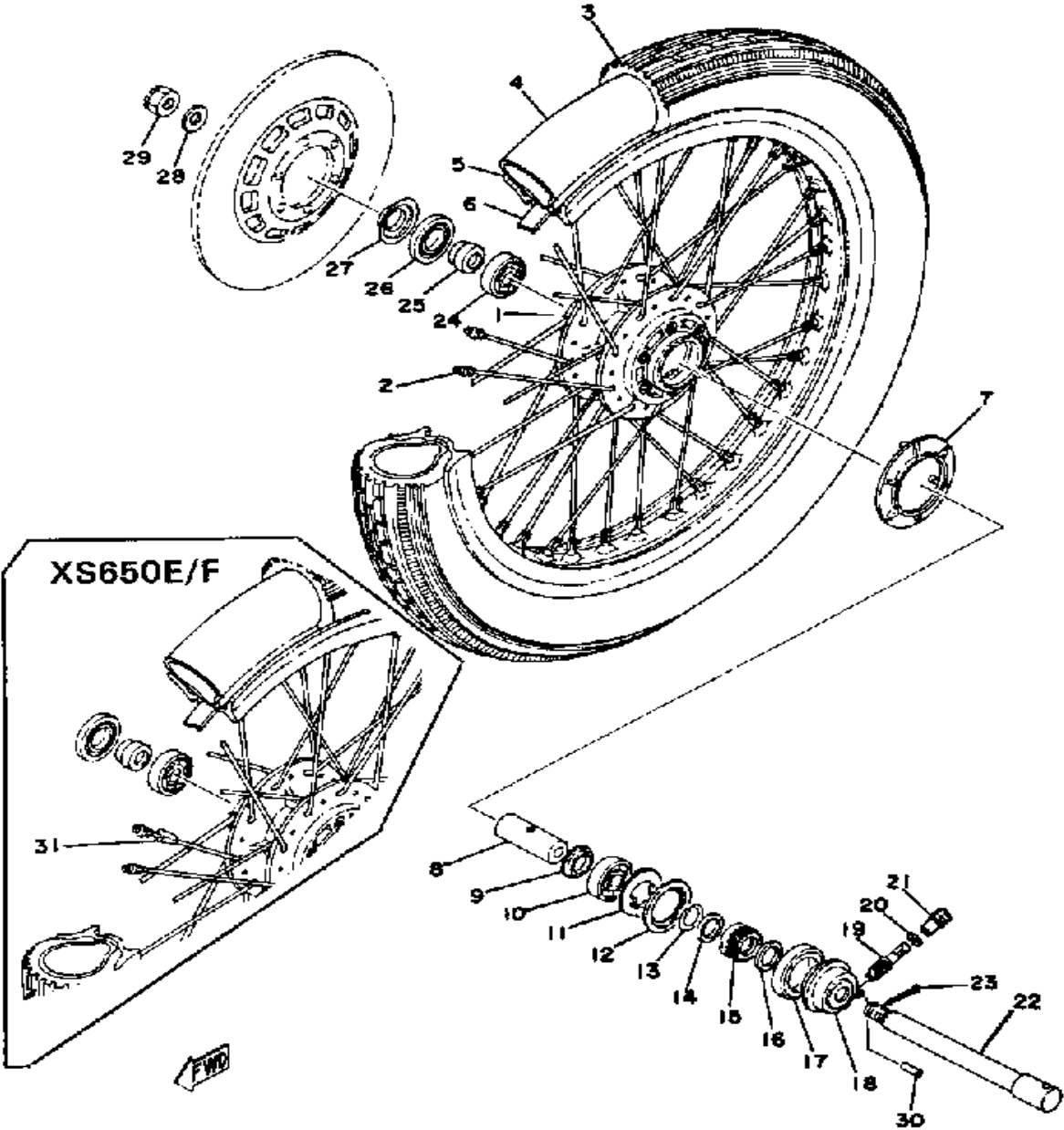
FRONT WHEEL XS650D - E - E006501~



Ref. No.	Part Number	Description	Qty	Remarks
1	341-25111-01-00	HUB, FRONT	1	
2	341-25104-00-00	SPOKE SET, FRONT	1	
3	(94135-19345-00)	350H19BS S21F 4PLY	1	YOKOHAMA
4	94210-19222-00	TUBE (3.25-19)	1	
	94235-19087-00	TUBE	1	
5	(94418-19145-00)	RIM 1.85X 9	1	
6	94325-19027-00	BAND, RIM (3.50-19) (94335-19026-00)	1	
7	1L9-25847-00-00	COVER, HOUSING	1	
8	90560-17126-00	SPACER	1	
9	146-25315-00-00	FLANGE, SPACER	1	
10	93306-30309-00	BEARING	1	
11	341-25149-00-00	CLUTCH, METER	1	
12	341-25846-00-00	RETAINER, CLUTCH	1	
13	341-25137-00-00	RING, STOP	1	
14	90201-25286-00	WASHER, PLATE (341-25147-00)	1	
15	341-25135-01-00	GEAR, DRIVE	1	
16	90201-25490-00	WASHER, PLATE	1	
17	93102-28022-00	OIL SEAL	1	
	93105-45017-00	OIL SEAL	1	
18	341-25190-01-00	GEAR UNIT ASSEMBLY	1	
19	306-25138-00-00	GEAR, METER	1	
20	102-18416-00-00	SHIM, ROD	1	
21	306-25136-00-00	BUSH	1	
22	341-25181-01-00	AXLE, WHEEL	1	
23	91401-30030-00	PIN, COTTER	1	
24	93306-30309-00	BEARING	1	
25	90387-17433-00	COLLAR	1	

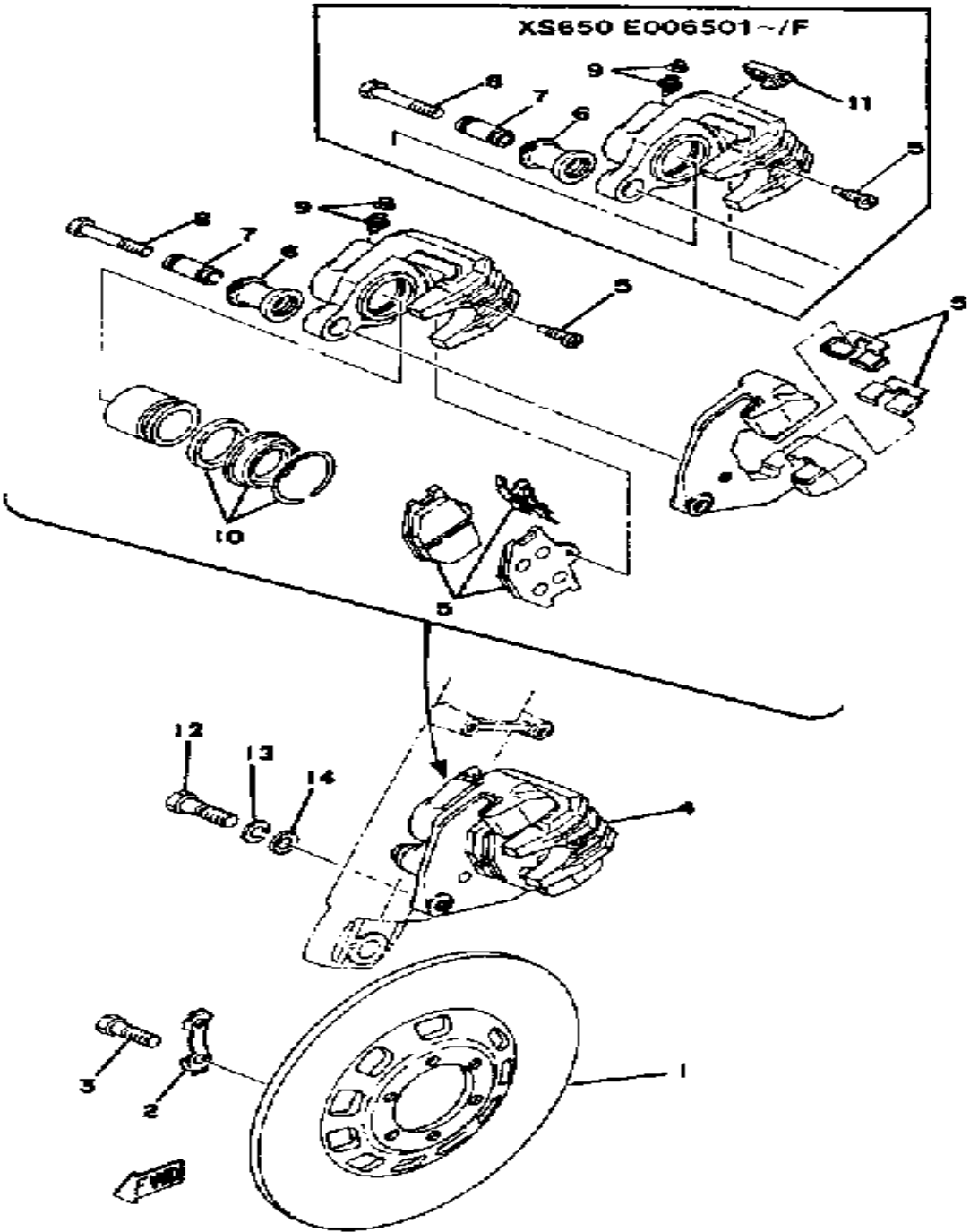
CONTINUED ON NEXT FRAME ►

FRONT WHEEL XS650D - E - E006501~



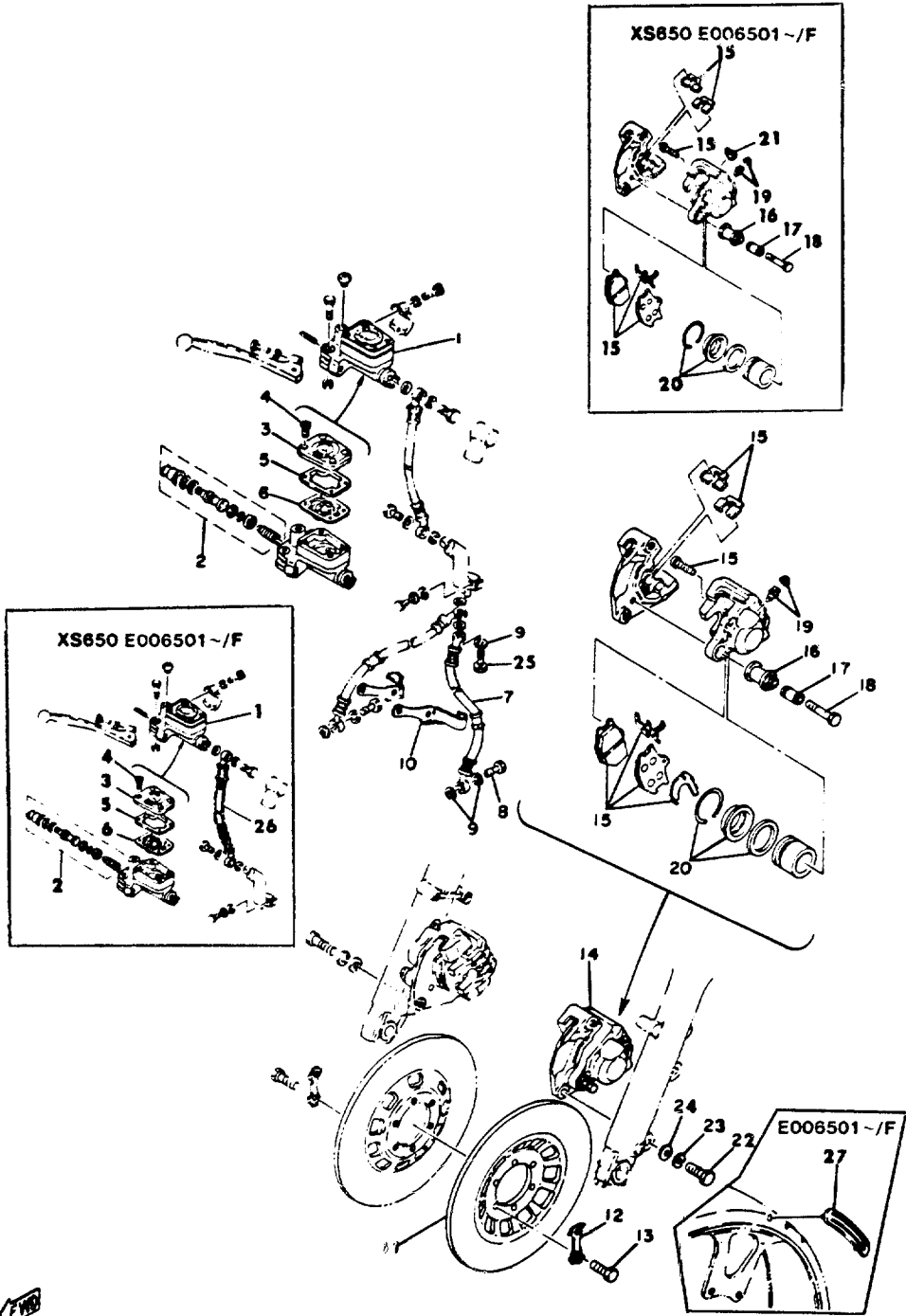
Ref. No.	Part Number	Description	Qty	Remarks
26	93102-28022-00	OIL SEAL	1	
	93105-45017-00	OIL SEAL	1	
27	341-25118-00-00	COVER, hub dust	1	
28	92990-14200-00	WASHER, PLAIN	1	
29	90171-14020-00	NUT, CASTLE	1	
30	91609-20014-00	PIN, SPRING	1	
31	156-25398-00-00	BALANCER, WHEEL	1	

DISC BRAKE - CALIPER XS650D - E - E0



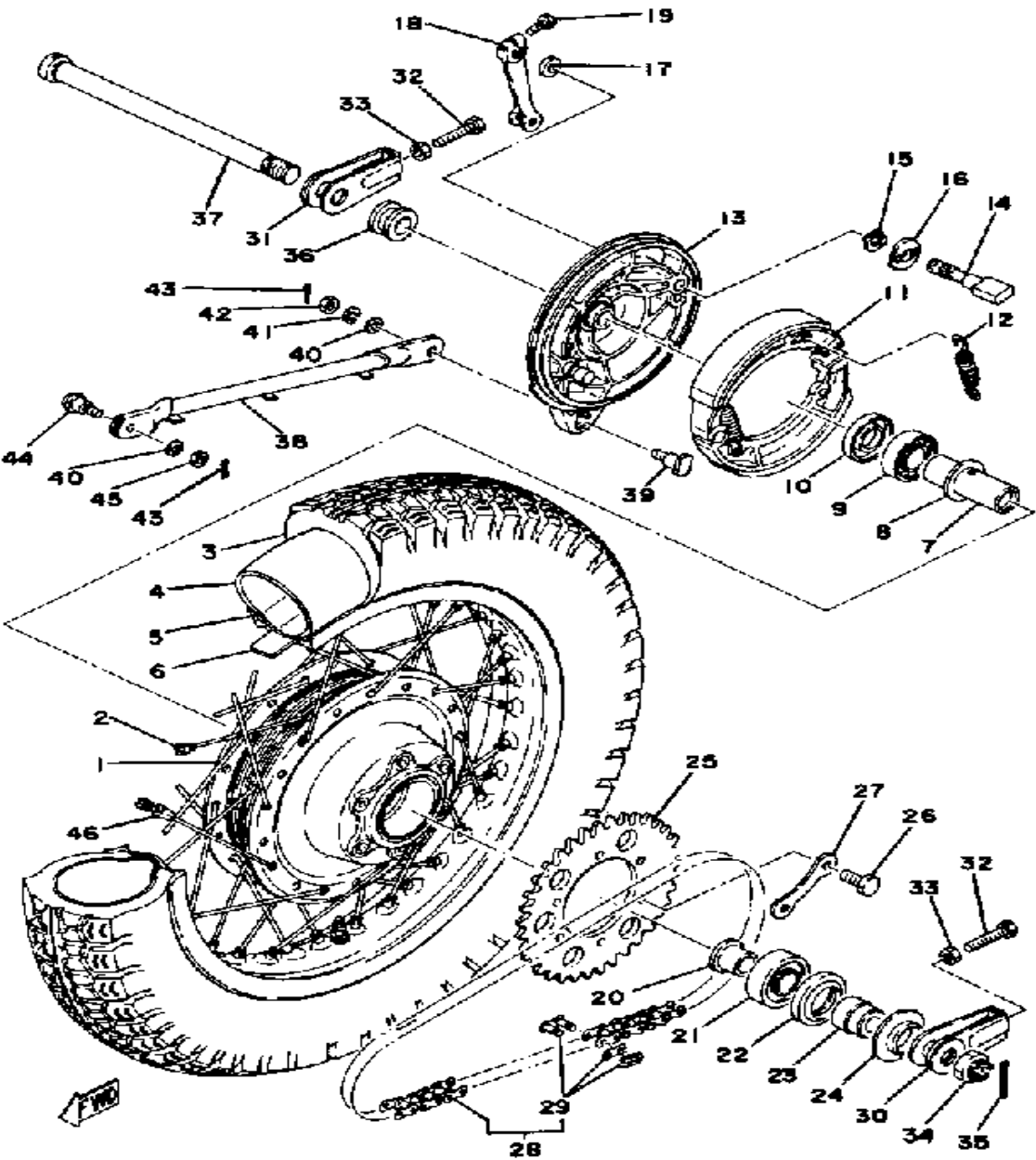
Ref. No.	Part Number	Description	Qty	Remarks
1	(1J3-25831-00-00)	DISC, BRAKE	1	
2	1J3-25834-01-00	WASHER, LOCK	3	
3	90101-08312-00	BOLT	6	
4	3H5-25810-02-00	CALIPER ASSEMBLY RH	1	
5	4K0-W0045-01-00	. BRAKE PAD KIT, FRNT	1	E0065015
6	1J3-25917-00-00	. BOOT, CALIPER	1	
7	1J3-25838-00-00	. SLEEVE, CALIPER	1	
8	90105-08145-00	. BOLT, WASHER BASED	1	
9	1J3-W0048-00-00	. BLEED SCREW KIT	1	
10	1J3-W0047-00-00	. CALIPER SEAL KIT	1	
11	1J3-25845-01-00	. CAP, INDICATOR	1	E0056105
12	90105-10638-00	BOLT, WASHER BASED	2	
13	92990-10100-00	WASHER, SPRING	2	
14	92990-10200-00	WASHER	2	

DOUBLE DISC BRAKES XS650D - E - E00



Ref. No.	Part Number	Description	Qty	Remarks
1	1J3-25850-23-00	MSTR CYLINDER ASSEMBLY	1	
2	1J3-W0041-20-00	. CYLINDER KIT, MASTER	1	
3	1J3-25852-01-00	. CAP, RESERVOIR	1	
4	90151-05008-00	. SCREW, COUNTERSUNK	4	
	98706-05040-00	. SCREW, FLAT HEAD	4	
5	1J3-25855-01-00	. BUSH, DIAPHRAGM	1	
6	1J3-25854-01-00	. DIAPHRAGM RESERVOR	1	
7	1T3-25873-00-00	HOSE, BRAKE 2	1	
8	90401-10034-00	BOLT, UNION	1	
	90401-10044-00	BOLT, UNION	1	E0065015
9	90201-10118-00	WASHER, PLATE	3	
10	1J3-25876-02-00	HOLDER, BRKE HOSE 2	1	
11	(1J3-25831-00-00)	DISC, BRAKE	1	
12	1J3-25834-01-00	WASHER, LOCK	3	
13	90101-08312-00	BOLT	6	
14	3H5-25810-12-00	CALIPER ASSEMBLY LH	1	
15	4K0-W0045-01-00	. BRAKE PAD KIT, FRNT	1	
16	1J3-25917-00-00	. BOOT, CALIPER	1	
17	1J3-25838-00-00	. SLEEVE, CALIPER	1	
18	90105-08145-00	. BOLT, WASHER BASED	1	
19	1J3-W0048-00-00	. BLEED SCREW KIT	1	
20	1J3-W0047-00-00	. CALIPER SEAL KIT	1	
21	1J3-25845-01-00	. CAP, INDICATOR	1	E0065015
22	90105-10638-00	BOLT, WASHER BASED	2	
23	92990-10100-00	WASHER, SPRING	2	
24	92990-10200-00	WASHER	2	
25	90401-10044-00	BOLT, UNION	1	
26	1T3-25872-20-00	HOSE, BRAKE 1 0 0	1	5015 REQUIRES6533-26111-216

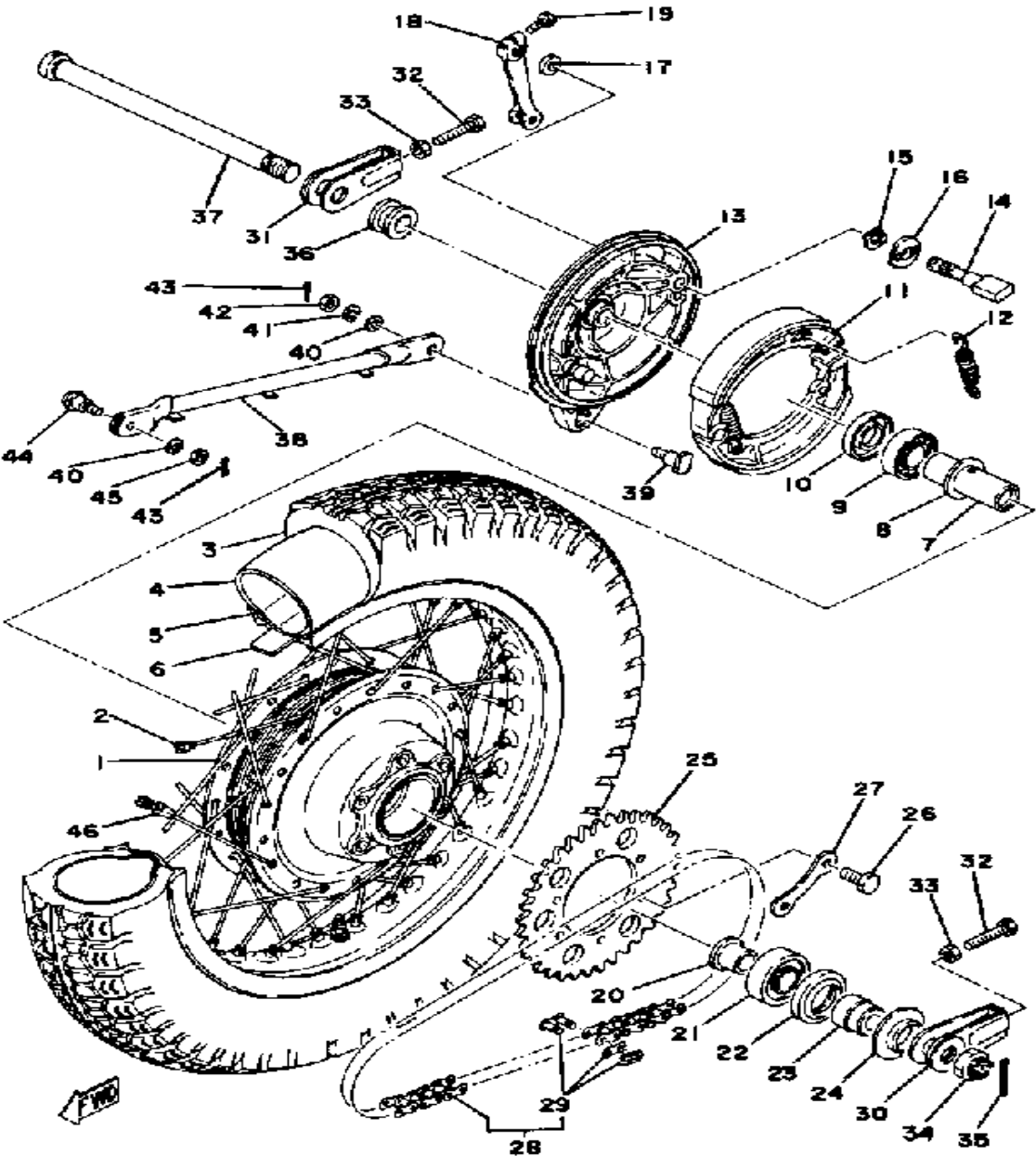
REAR WHEEL XS650D - E - E006501~ -



Ref. No.	Part Number	Description	Qty	Remarks
1	(256-25311-00-00)	HUB, REAR	1	
2	256-25304-00-00	SPOKE SET, REAR	1	
3	(94140-18340-00)	400H18 Y987 YOKO	1	YOKOHAMA
4	94240-18098-00	TUBE (4.00-18)	1	
5	(94421-18146-00)	RIM 2.15X 8	1	
6	94340-18022-00	BAND, RIM (4.00-18)	1	
7	90560-20135-00	SPACER	1	
8	4V4-25315-00-00	FLANGE, SPACER	1	
9	93306-30417-00	BEARING (B6304ZZ)	1	
10	93104-27026-00	OIL SEAL, SO-TYPE	1	
11	4L0-W2536-00-00	BRAKESHOE SET-2PCS	2	
12	90507-20002-00	SPRING, TENSION	2	
13	(1T3-25026-00-00)	BRAKE SHOE PLT ASSEMBLY	1	ENGINE 70400156USE W/1T3-PLATE
	(447-25321-00-00)	PLATE, BRAKE SHOE	1	
14	90480-10068-00	. GROMMET	1	
15	341-25351-00-00	CAMSHAFT	1	
16	90206-14020-00	WASHER, WAVE (648-42188-00)	1	
17	(447-25353-00-00)	SHIM, CAMSHAFT	6	5015
	90201-14218-00	WASHER, PLATE	1	
18	148-25359-00-00	SEAL, CAMSHAFT	1	
19	341-25355-00-00	LEVER, CAMSHAFT	1	
20	90101-06291-00	BOLT (L:130MM)	1	
21	90387-20166-00	COLLAR	1	
22	93306-30507-00	BEARING	1	
23	93102-35065-00	OIL SEAL, SD-TYPE	1	
24	90387-20176-00	COLLAR	1	
25	256-25367-00-00	COVER, HUB DUST	1	
26	(256-25433-20-33)	SPROCKET, DRIVN 33T	1	U.R.

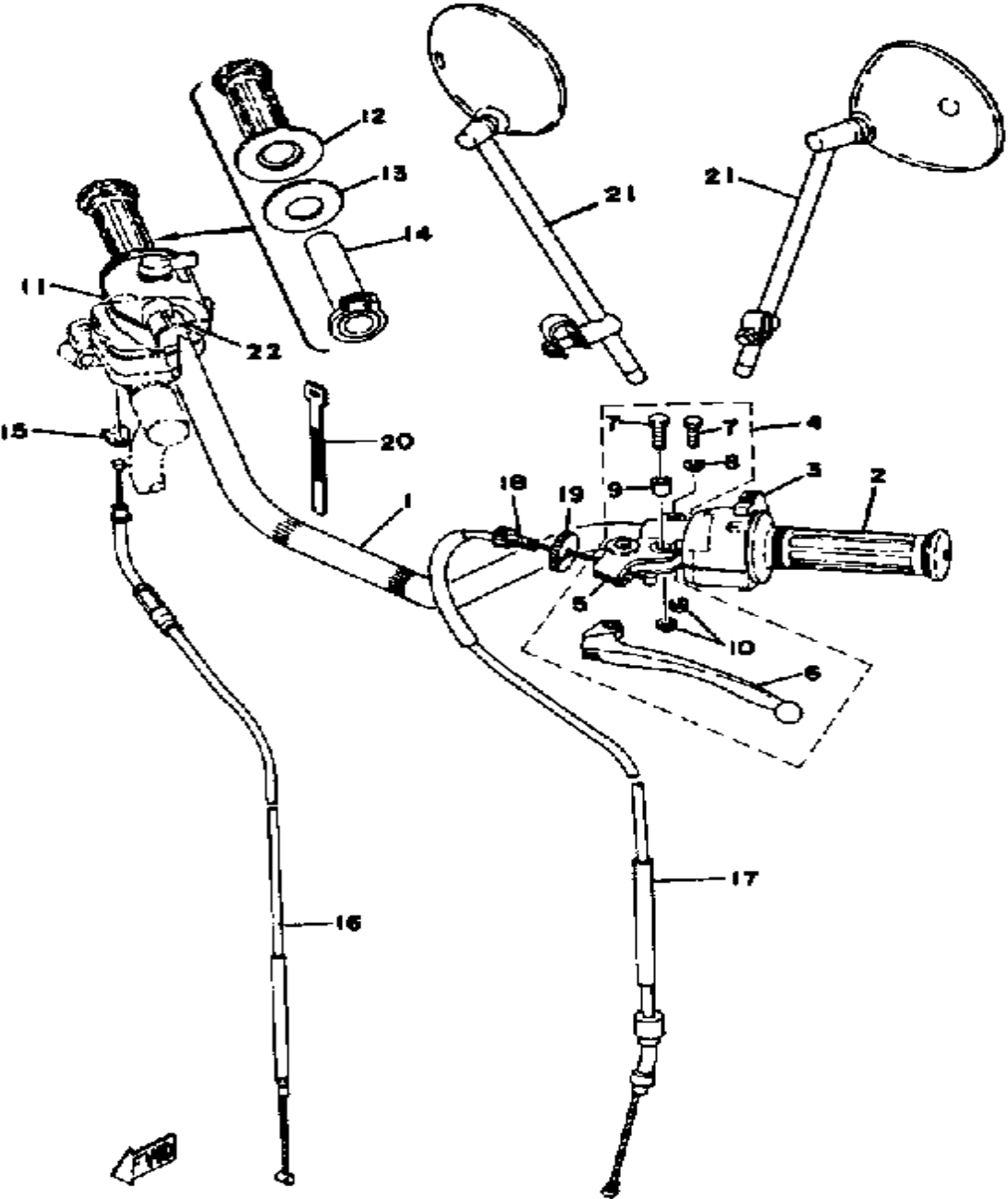
CONTINUED ON NEXT FRAME ►

REAR WHEEL XS650D - E - E006501~ -



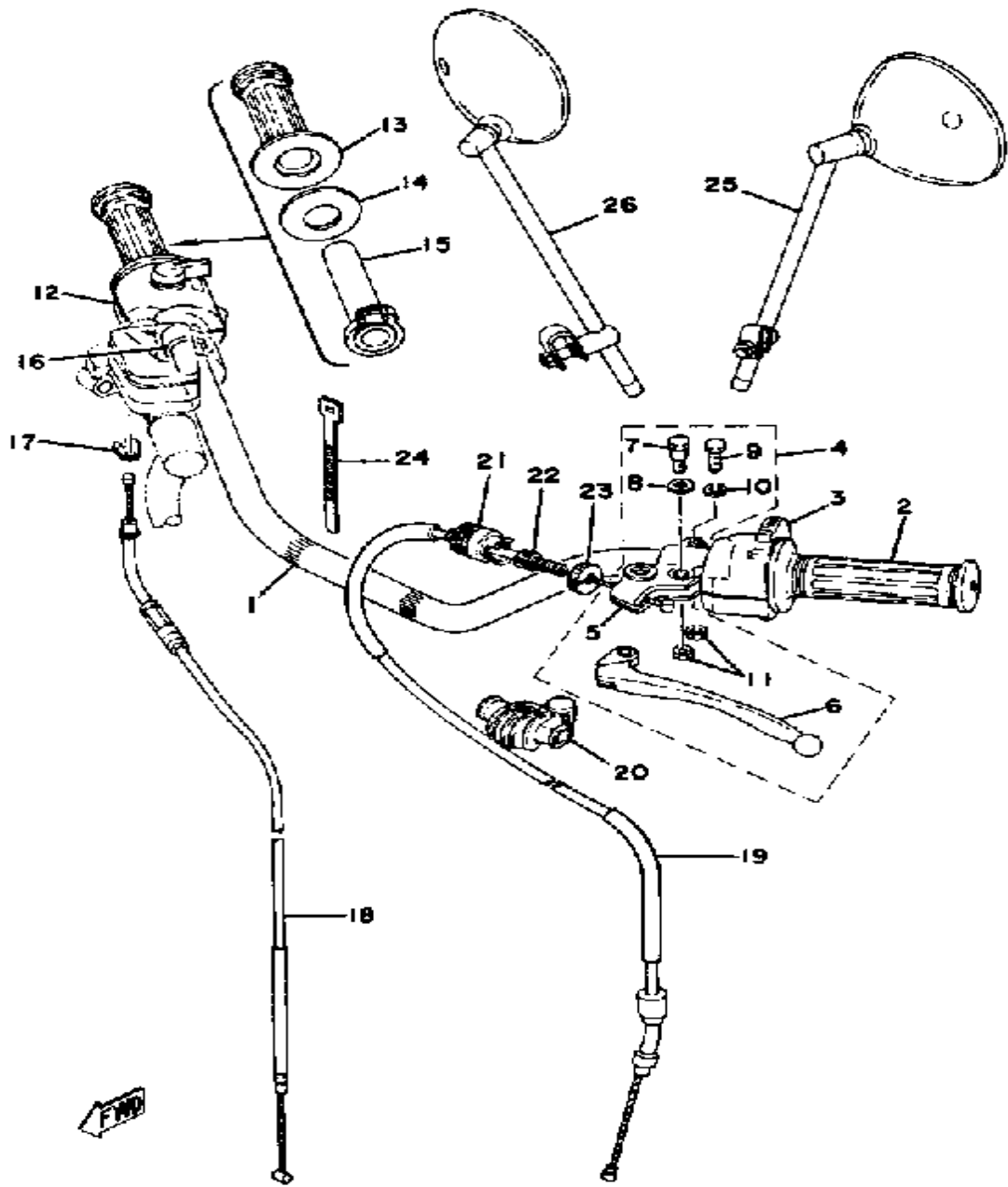
Ref. No.	Part Number	Description	Qty	Remarks
26	256-25432-20-33	SPROCKET, DRIVN 32T (32T)	1	U.R.
	256-25434-20-33	SPROCKET, DRIVN 34T	1	U.R. STD
	256-25436-20-33	SPROCKET, DRIVN 36T (36T)	1	U.R.
27	90105-10007-00	BOLT, WASHER BASED	6	
28	256-25412-00-00	WASHER	3	
29	94580-05104-00	50HDS-104L	1	
30	341-25388-01-00	PULLER, CHAIN 1	1	
	94680-05011-00	. CHAIN JOINT	1	
31	341-25389-00-00	PULLER, CHAIN 2	1	
32	90101-08699-00	BOLT	2	
33	90170-08158-00	NUT	2	
	95303-08700-00	NUT	2	
34	90171-18043-00	NUT, CASTLE	1	
35	91401-40040-00	PIN, COTTERPIN, COTTER (91401-40030)	1	
36	90387-20444-00	COLLAR	1	
37	341-25381-00-00	AXLE, WHEEL	1	
38	1T3-25371-00-00	BAR, TENSION (341-25371-00)	1	
39	90109-08338-00	BOLT	1	
40	92901-08600-00	WASHER, PLATE	2	
41	92990-08100-00	WASHER, SPRING	1	
42	90170-08158-00	NUT	1	
43	91490-20020-00	PIN, COTTER	2	
44	90109-08374-00	BOLT	1	
45	90179-08639-00	NUT, SPEC'L SHAPE (30)	1	
46	156-25398-00-00	BALANCER, WHEEL	1	

HANDLE - WIRE XS650D



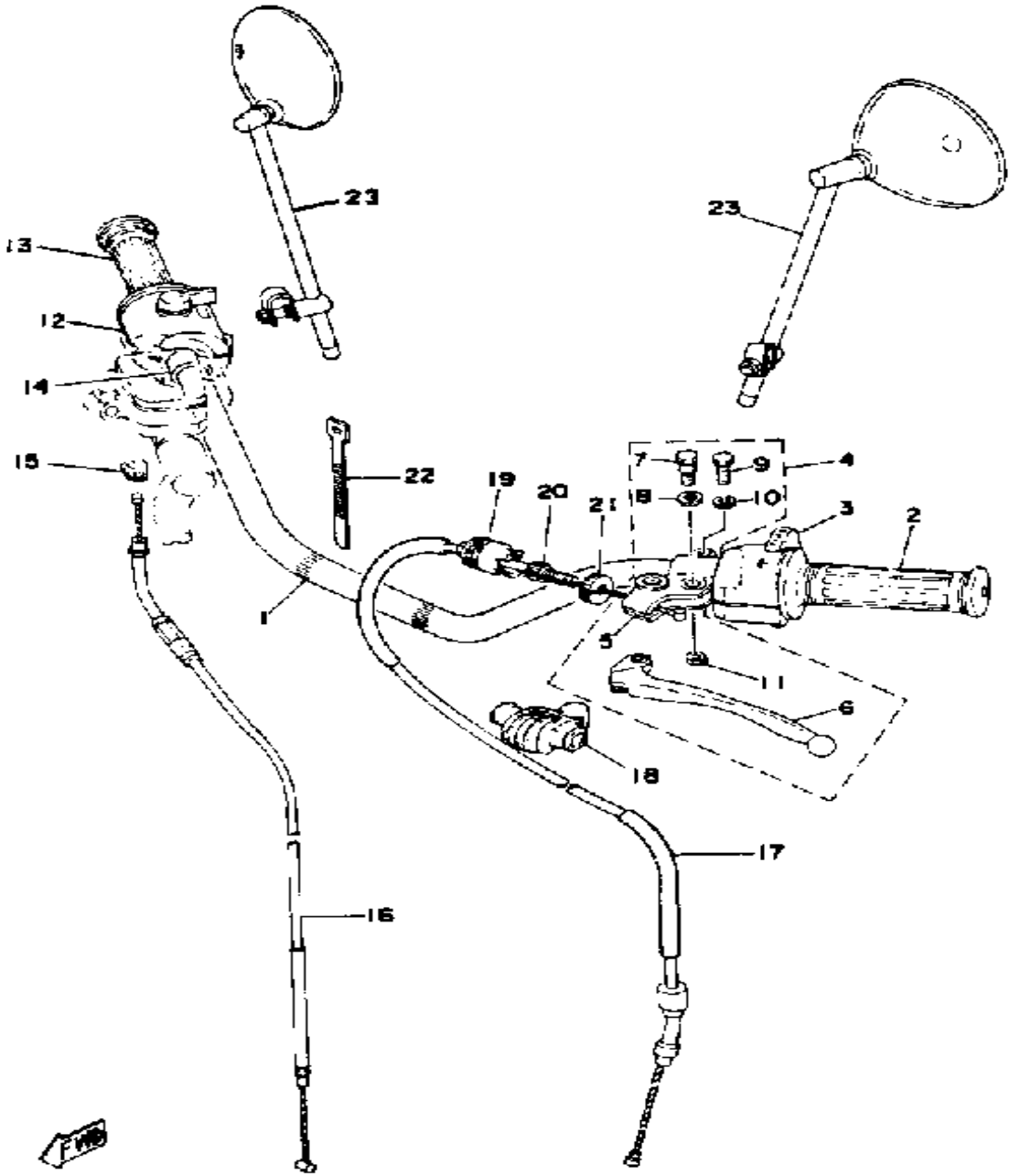
Ref. No.	Part Number	Description	Qty	Remarks
1	584-26111-10-00	HANDLEBAR	1	
2	1E6-26241-00-00	GRIP LH	1	
3	1T3-83973-00-00	SWITCH, HANDLE 3	1	LOW GLOSS BLK
4	(1J3-82910-00-00)	LEVER HOLDER ASSEMBLY 1	1	
5	341-82911-00-00	. HOLDER, LEVER 1	1	
6	214-83912-00-00	. LEVER 1	1	
7	97003-06022-00	. BOLT, HEXAGON (97301-06022)	2	
8	92995-06100-00	. WASHER, SPRING	1	
9	214-83913-00-00	. COLLAR, LEVER 1	1	
10	95601-06100-00	. NUT, U	2	
11	584-83963-00-00	SWITCH, HANDLE 3	1	
12	1A0-26242-01-00	GRIP (RIGHT)	1	
13	90201-261L0-00	WASHER, PLATE	1	
14	584-26243-00-00	TUBE, THRTL GUIDE	1	
15	584-26393-02-00	HOLDER	1	
16	584-26311-10-00	CABLE, THROTTLE 1 (1010MM)	1	
17	447-26335-00-00	CABLE, CLUTCH (256-26335-02)	1	
18	90123-08046-00	BOLT	1	
19	90179-08148-00	NUT	1	
20	437-83936-01-00	BAND, SWITCH CORD	2	
21	1T3-26290-01-00	MIRROR ASSEMBLY	2	
22	(90387-22591-00)	COLLAR	1	

HANDLE - WIRE XS650E



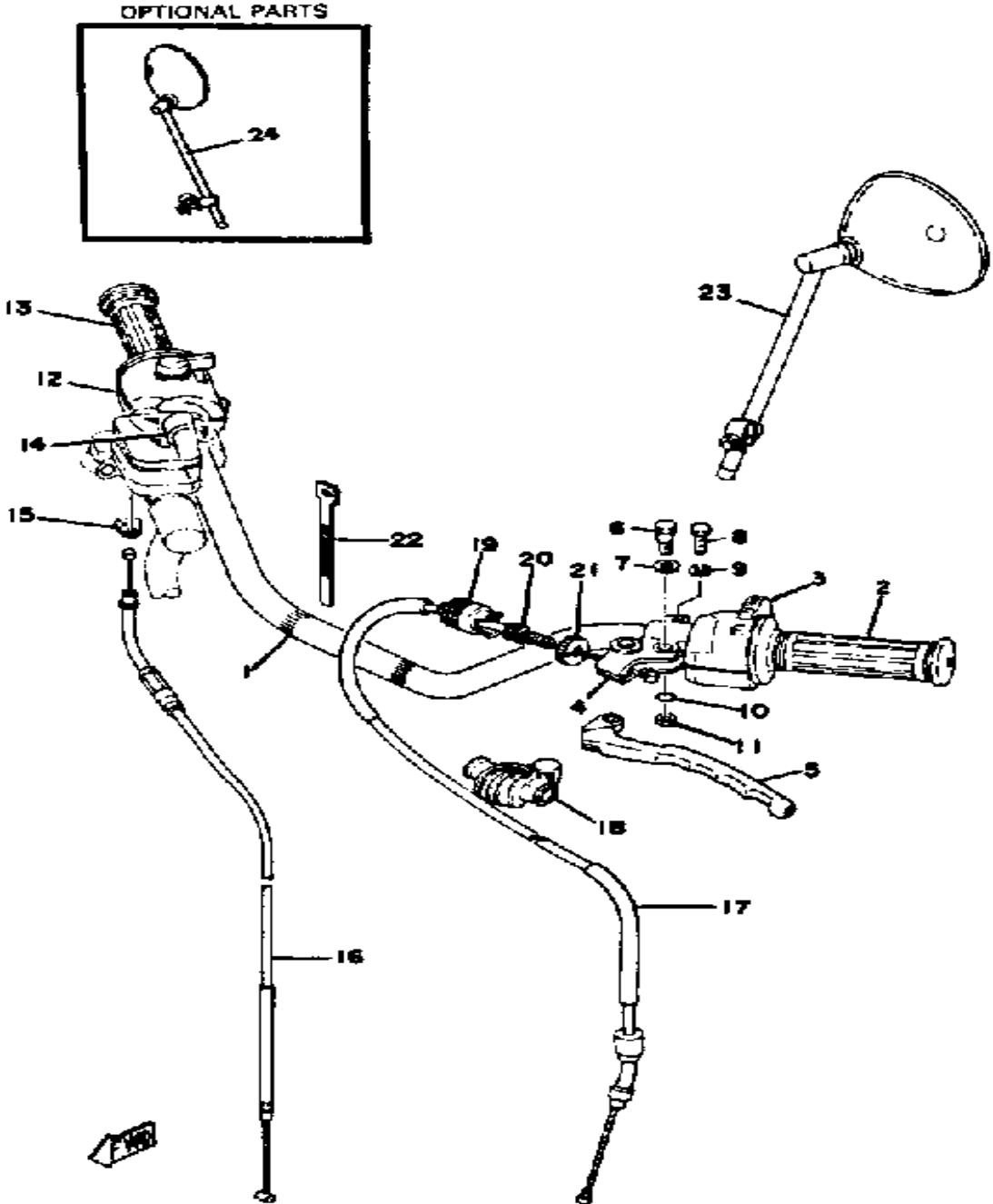
Ref. No.	Part Number	Description	Qty	Remarks
1	584-26111-10-00	HANDLEBAR	1	
2	1E6-26241-00-00	GRIP LH	1	
3	1T3-83973-00-00	SWITCH, HANDLE 3	1	
4	(1J3-82910-22-00)	LEVER HOLDER ASSEMBLY 1	1	LOW GLOSS BLK
5	341-82911-00-00	. HOLDER, LEVER 1	1	LOW GLOSS BLK
6	1J3-83912-20-00	. LEVER L	1	
7	90109-06797-00	. BOLT	1	
8	90201-08083-00	. WASHER, PLATE	1	
9	97003-06022-00	. BOLT, HEXAGON (97301-06022)	1	
10	92995-06100-00	. WASHER, SPRING	1	
11	95601-06100-00	. NUT, U	2	
12	584-83963-00-00	SWITCH, HANDLE 3	1	
13	1A0-26242-01-00	GRIP (RIGHT)	1	
14	90201-261L0-00	WASHER, PLATE	1	
15	584-26243-00-00	TUBE, THRTL GUIDE	1	
16	(90387-22591-00)	COLLAR	1	
17	584-26393-02-00	HOLDER	1	
18	584-26311-10-00	CABLE, THROTTLE 1 (1010MM)	1	
19	447-26335-00-00	CABLE, CLUTCH (256-26335-02)	1	
20	1E6-26342-00-00	BOOT, CABLE	1	
21	1E6-26372-00-00	COVER, HANDLE LEVER 1 ...	1	
22	90123-08046-00	BOLT	1	
23	90179-08148-00	NUT	1	
24	437-83936-01-00	BAND, SWITCH CORD	2	
25	1T3-26290-01-00	MIRROR ASSEMBLY	1	
26	1T3-26290-01-00	MIRROR ASSEMBLY	1	OPTIONAL PART

HANDLE - WIRE XS650 E006501~



Ref. No.	Part Number	Description	Qty	Remarks
1	584-26111-10-00	HANDLEBAR	1	
2	2H7-26241-00-00	GRIP LH	1	
3	1T3-83973-00-00	SWITCH, HANDLE 3	1	
4	(1J3-82910-22-00)	LEVER HOLDER ASSEMBLY 1	1	LOW GLOSS BLK
5	341-82911-00-00	. HOLDER, LEVER 1	1	LOW GLOSS BLK
6	1J3-83912-20-00	. LEVER L	1	
7	90109-06797-00	. BOLT	1	
8	90201-08083-00	. WASHER, PLATE	1	
9	97003-06022-00	. BOLT, HEXAGON (97301-06022)	1	
10	92995-06100-00	. WASHER, SPRING	1	
11	95601-06100-00	. NUT, U	1	
12	584-83963-00-00	SWITCH, HANDLE 3	1	
13	2H7-26240-00-00	GRIP ASSEMBLY RH	1	
14	(90387-22591-00)	COLLAR	1	
15	584-26393-02-00	HOLDER	1	
16	584-26311-10-00	CABLE, THROTTLE 1 (1010MM)	1	
17	447-26335-00-00	CABLE, CLUTCH (256-26335-02)	1	
18	1E6-26342-00-00	BOOT, CABLE	1	
19	1E6-26372-00-00	COVER, HANDLE LEVER 1 ...	1	
20	90123-08046-00	BOLT	1	
21	90179-08148-00	NUT	1	
22	437-83936-01-00	BAND, SWITCH CORD	2	
23	1T3-26290-01-00	MIRROR ASSEMBLY	1	

HANDLE - WIRE XS650F



Ref. No.	Part Number	Description	Qty	Remarks
1	584-26111-10-00	HANDLEBAR	1	
2	2H7-26241-00-00	GRIP LH	1	
3	1G3-83973-00-00	UNAVAILABLE IN PRICE BOOK	1	
4	341-82911-00-00	HOLDER, LEVER 1	1	LOW GLOSS BLK
5	2H0-83912-30-00	LEVER L	1	
6	2H7-83945-00-00	BOLT, LEVER	1	
7	90201-08083-00	WASHER, PLATE	1	
8	97003-06022-00	BOLT, HEXAGON (97301-06022)	1	
9	92995-06100-00	WASHER, SPRING	1	
10	93210-11368-00	O-RING	1	
11	95601-06100-00	NUT, U	1	
12	2L0-83975-01-98	SWITCH, HANDLE 2LR	1	
13	(90387-22591-00)	COLLAR	1	
	2H7-26240-00-00	GRIP ASSEMBLY RH	1	
14	(90387-22591-00)	COLLAR	1	
15	584-26393-02-00	HOLDER	1	
16	584-26311-10-00	CABLE, THROTTLE 1 (1010MM)	1	
17	447-26335-00-00	CABLE, CLUTCH (256-26335-02)	1	
18	1E6-26342-00-00	BOOT, CABLE	1	
19	1E6-26372-00-00	COVER, HANDLE LEVER 1 ...	1	
20	90123-08046-00	BOLT	1	
21	90179-08148-00	NUT	1	
22	437-83936-01-00	BAND, SWITCH CORD	2	
23	1T3-26290-01-00	MIRROR ASSEMBLY	1	
24	1T3-26290-01-00	MIRROR ASSEMBLY	1	ALTERNATE PART

MASTER CYLINDER - BRAKE HOSE XS650D

Ref. No.	Part Number	Description	Qty	Remarks
1	(1U4-25850-02-00)	MSTR CYLINDER ASSEMBLY .	1	
	(1U4-25850-02-00)	MSTR CYLINDER ASSEMBLY .	1	NIISHIN
	1J3-25850-02-00	MSTR CYLINDER ASSEMBLY .	1	NIISHIN
2	535-W0041-60-00	. CYLINDER KIT, MASTER	1	
3	1J3-25852-01-00	. CAP, RESERVOIR	1	
4	90151-05008-00	. SCREW, COUNTERSUNK	4	
	98706-05035-00	. SCREW, FLAT HEAD	4	
5	1J3-25855-01-00	. BUSH, DIAPHRAGM	1	
6	1J3-25854-01-00	. DIAPHRAGM RESERVOR	1	
7	1J3-25867-00-00	BRACKET, MASTER CYLINDER (341-25867-00)	1	
8	97011-06025-00	BOLT (97001-06025)	2	
	97313-06025-00	BOLT, HEXAGON	2	E0065015
9	92995-06100-00	WASHER, SPRING	2	
10	2F0-83922-00-00	LEVER R	1	
	2H7-83922-20-00	LEVER R	1	
11	90149-06131-00	SCREW	1	
12	90170-06010-00	NUT	1	
13	90501-10312-00	SPRING, COMPRESSION	1	
14	90109-06465-00	BOLT	1	
15	90386-08094-00	BUSH, SPEC'L NYLON	1	
16	95601-06100-00	NUT, U	1	
17	90338-09012-00	PLUG (90338-09161-00)	1	
18	90401-10034-00	BOLT, UNION	4	
19	90201-10118-00	WASHER, PLATE	8	
20	306-25862-00-00	BOOT, MASTER CYLINDER	1	
21	1T3-25872-01-00	HOSE, BRAKE 1	1	
22	1J7-25885-01-00	JOINT	1	
23	97011-06025-00	BOLT (97001-06025)	1	

CONTINUED ON NEXT FRAME ►

MASTER CYLINDER - BRAKE HOSE XS650D

Ref. No.	Part Number	Description	Qty	Remarks
24	92995-06100-00	WASHER, SPRING	1	
25	92901-06600-00	WASHER, PLATE	1	
26	1T3-25873-00-00	HOSE, BRAKE 2	1	
27	1J3-25875-02-00	HOLDER, BRKE HOSE 1	1	
28	1A0-83980-30-00	FRONT STOP SWITCH ASSEMBLY	1	
29	1T5-26372-00-00	COVER, HANDLE LEVER 1 ...	1	

STAND - FOOTREST - BRAKE PEDAL XS650

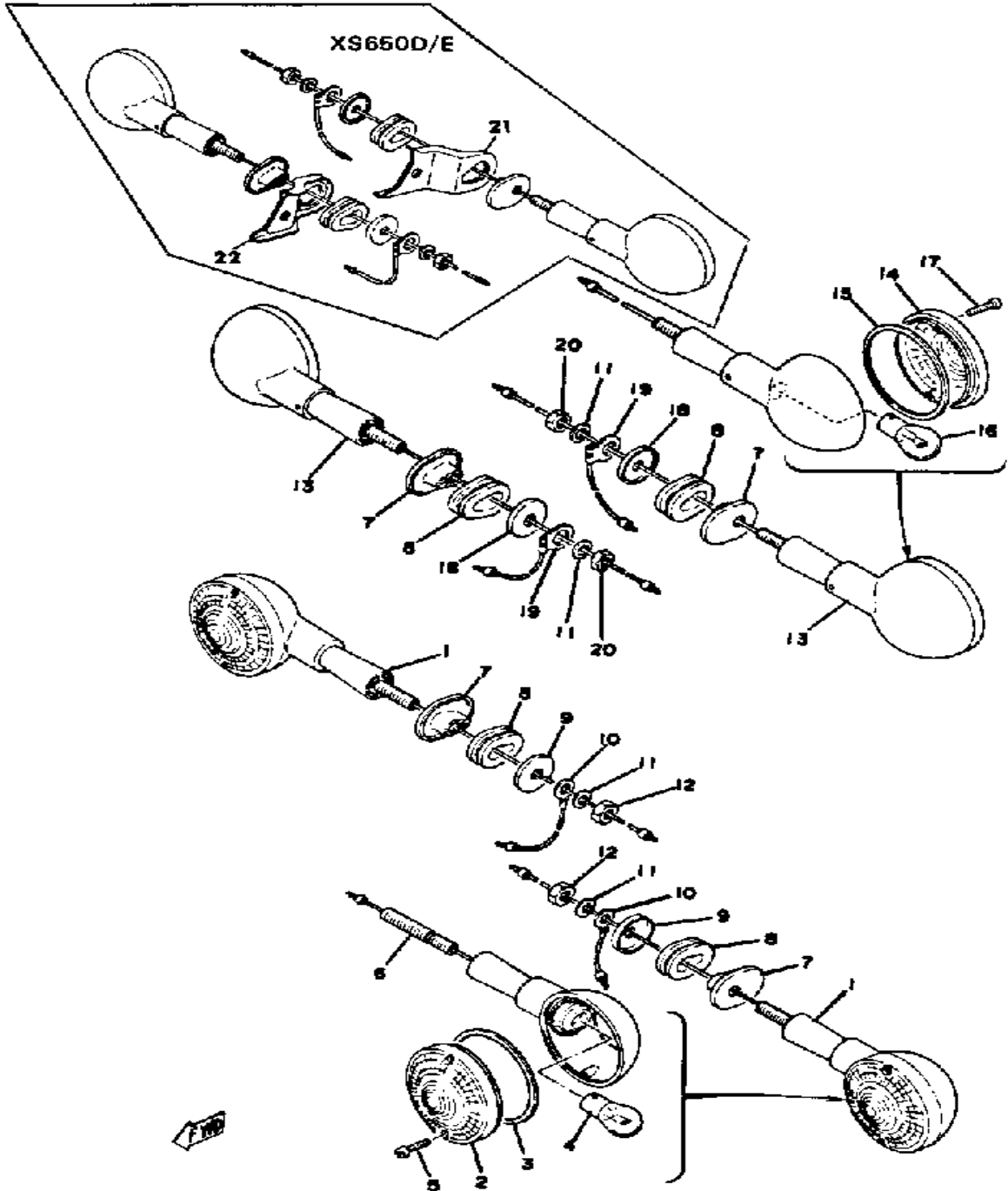
Ref. No.	Part Number	Description	Qty	Remarks
1	1T3-27111-02-00	STAND, MAIN	1	
2	90109-10268-00	BOLT	2	
3	90185-10060-00	NUT, SELF-LOCKING	2	
4	90506-50064-00	SPRING, TENSION	1	
5	1T3-27311-00-00	STAND, SIDE	1	
6	97313-08020-00	BOLT, HEXAGON	1	
7	36Y-27322-00-00	WASHER, SIDE STAND	1	
8	90201-085E6-00	WASHER PLATE	1	
9	36Y-27352-00-00	HOOK, SIDE STAND	1	
10	90507-29009-00	SPRING, TENSION	1	
11	1T3-27314-00-00	STOPPER	1	
	278-27314-00-00	STOPPER	1	
12	1T3-27410-00-33	FRT FOOTREST ASSEMBLY L	1	
13	1T3-27420-00-93	FRT FOOTREST ASSEMBLY R	1	
14	3CK-27451-00-00	. FOOTREST	1	
15	3N6-27461-00-00	. FOOTREST	1	
16	4L0-27423-00-00	. COVER, FOOTREST	2	
17	90508-20023-00	. SPRING, TORSION	2	
18	90243-08006-00	. PIN	2	
19	90201-06042-00	. WASHER, PLATE	2	
20	256-27414-00-00	DAMPER, FOOTREST	4	
21	90201-10437-00	WASHER, PLATE	4	
22	92990-10100-00	WASHER, SPRING	4	
23	90176-10013-00	NUT, CROWN	4	
24	584-27432-00-00	BRACKET 1	1	
25	584-27442-00-00	BRACKET 2	1	
26	447-27431-00-00	FOOTREST, REAR 1	1	
27	447-27441-00-00	FOOTREST, REAR 2	1	
28	447-27433-00-00	COVER, RR FOOTREST	2	

CONTINUED ON NEXT FRAME ►

STAND - FOOTREST - BRAKE PEDAL XS650

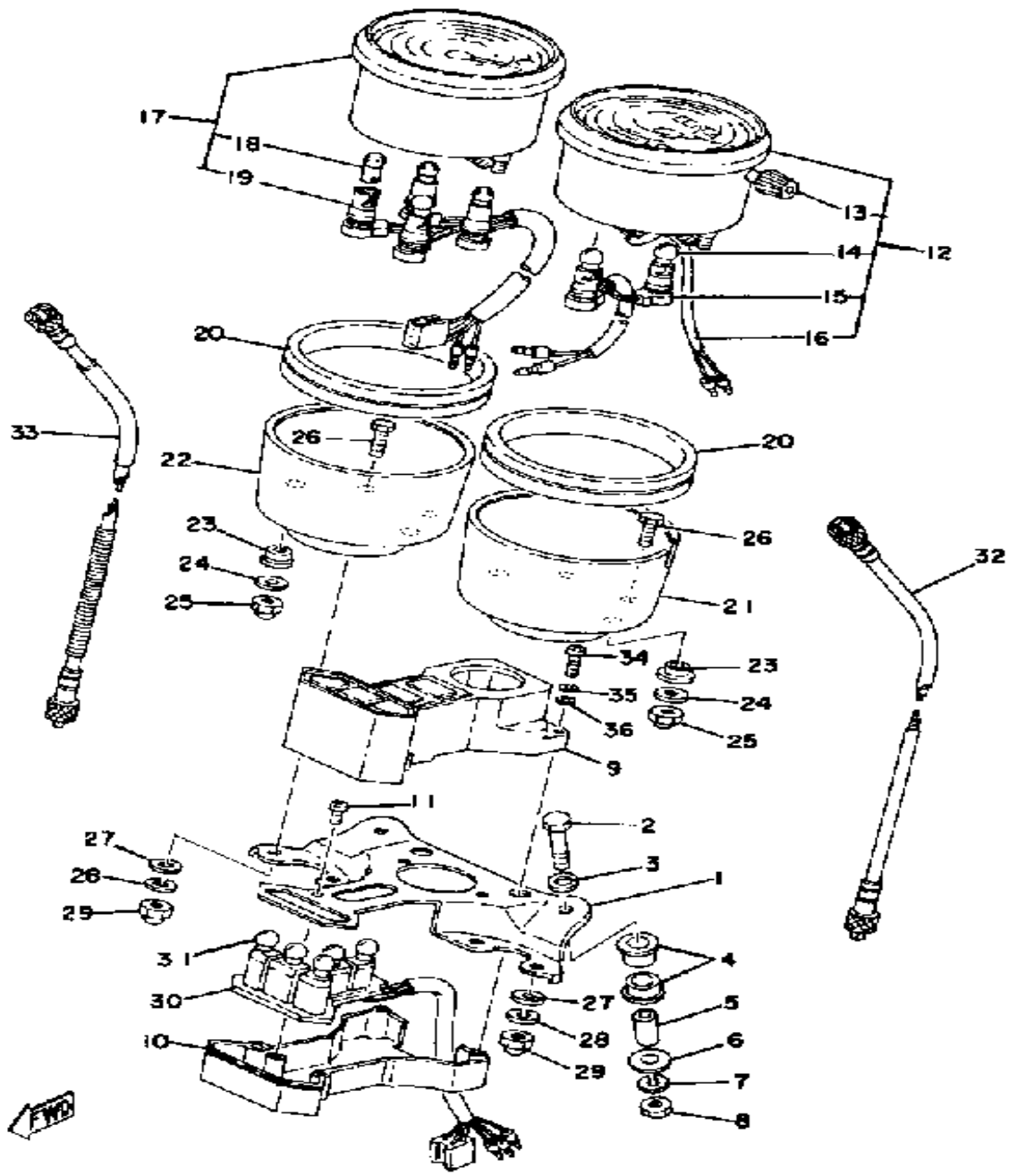
Ref. No.	Part Number	Description	Qty	Remarks
29	91490-16020-00	PIN, COTTER	2	
30	91701-06035-00	PIN, CLEVIS	2	
31	90209-18070-00	WASHER, SPECL SHAP	2	
32	90201-13502-00	WASHER, PLATE	2	
33	90185-12046-00	NUT, SELF-LOCKING	2	
34	533-27211-01-93	PEDAL, BRAKE	1	
35	533-27212-00-00	SHAFT, BRAKE PEDAL	1	
36	90506-23046-00	SPRING, TENSION	1	
37	93700-06M03-00	NIPPLE, GREASE	1	
38	447-27231-02-00	ROD, BRAKE	1	
39	90240-08013-00	PIN, CLEVIS	1	
	90249-12008-00	PIN	1	
40	90201-08083-00	WASHER, PLATE	1	
41	91490-20020-00	PIN, COTTER	1	
42	90501-10245-00	SPRING, COMPRESSION	1	
43	90240-08013-00	PIN, CLEVIS	1	
	90249-12008-00	PIN	1	
44	90179-06411-00	NUT	1	
45	90109-06468-00	BOLT	1	
46	92995-06100-00	WASHER, SPRING	1	
47	90170-06184-00	NUT	1	
48	90153-06008-00	SCREW, HEXAGON	1	
49	92995-06100-00	WASHER, SPRING	1	

FLASHER LIGHT XS650D - E - E006501~



Ref. No.	Part Number	Description	Qty	Remarks
1	341-83310-72-93	FRT FLSHR LITE ASSEMBLY	2	
2	341-83312-70-00	. LENS, FLASHER	2	AMBER
3	3Y6-83313-00-00	. GASKET, FLSHR LENS	2	
4	256-83311-70-XX	. BULB (12V-27W) (256-83311-70-00)	2	
5	341-83333-70-00	. SCREW, LENS FITTING	4	
6	341-83367-09-00	. BOLT, STUD	2	
7	366-83316-00-00	COLLAR, FLASHER 1	4	
8	256-83321-00-00	DAMPER, FLASHER 1	4	
9	90209-08098-00	WASHER, SPEC'L SHAP	2	
10	256-84313-01-00	WIRE, EARTH	2	
11	92990-08100-00	WASHER, SPRING	4	
12	95303-08700-00	NUT	2	
13	1E5-83330-20-93	R FLSHR LITE ASSEMBLY	2	
	366-83340-71-93	R FLSHR LITE ASSEMBLY	2	
14	341-83312-70-00	. LENS, FLASHER	2	AMBER
	341-83332-70-00	. LENS, FLASHER	2	
15	3Y6-83313-00-00	. GASKET, FLSHR LENS	2	
16	256-83311-70-XX	. BULB (12V-27W) (256-83311-70-00)	2	
17	341-83333-70-00	. SCREW, LENS FITTING	4	
18	90209-08028-00	WASHER, SPEC'L SHAP	2	
19	447-83336-01-00	CORD	2	
20	95333-08600-00	NUT	2	
21	447-83368-00-00	STAY, FLASHER	1	
22	447-83369-00-00	STAY, FLASHER	1	

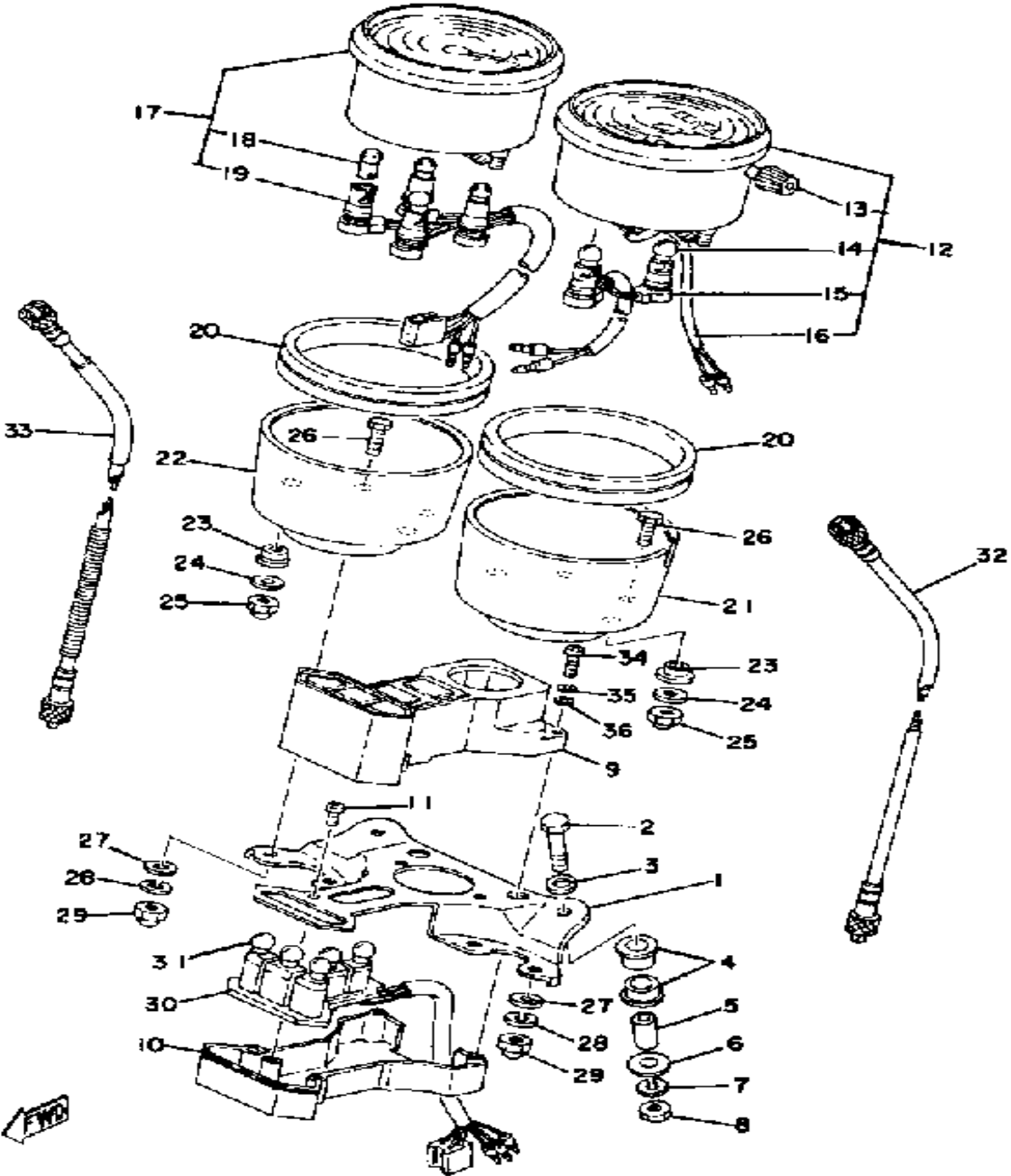
SPEEDOMETER - TACHOMETER XS650D - E



Ref. No.	Part Number	Description	Qty	Remarks
1	(1J3-83519-00-00)	BRACKET, METER	1	
2	97006-06040-00	BOLT	2	
3	92906-06600-00	WASHER, PLATE	2	
4	584-83541-00-00	DAMPER	4	
5	90387-06249-00	COLLAR	2	
6	90201-06067-00	WASHER, PLATE	2	
7	92995-06100-00	WASHER, SPRING	2	
8	95380-06600-00	NUT, HEXAGON	2	
9	(1T3-83568-00-00)	PILOT BOX, UPPER	1	
10	1J3-83569-71-00	PILOT BOX, LOWER	1	
11	98580-05010-00	SCREW, PAN HEAD	1	
12	1J3-83570-71-00	SPEEDOMETER ASSEMBLY ..	1	
	2J2-83570-A0-00	SPEEDOMETER ASSEMBLY ..	1	
13	584-83578-71-00	. KNOB, TRIP METER	1	
14	123-83516-21-00	. BULB (12V-3.4W)	2	
15	(2J2-83536-00-00)	SOCKET, METER	1	
	(584-83536-01-00)	SOCKET, METER	1	
16	(2J2-83556-00-00)	SENDER	1	
	1J3-83556-01-00	. SENDER	1	
17	(1J7-83540-00-00)	TACHOMETER ASSEMBLY ...	1	ENGINE 7040015
	2G6-83540-F0-00	TACHOMETER ASSEMBLY ...	1	
	3G0-83540-A0-00	TACHOMETER ASSEMBLY ...	1	
18	123-83516-21-00	. BULB (12V-3.4W)	3	
	123-83516-21-00	. BULB (12V-3.4W)	3	ENGINE 7040015
	123-83516-21-00	. BULB (12V-3.4W)	4	
19	(1J3-83520-01-00)	SOCKET CORD ASSEMBLY ..	1	ENGINE 7040015
	(1T3-83520-00-00)	SOCKET CORD ASSEMBLY ..	1	
20	3H3-83513-00-00	DAMPER	2	
21	584-83507-00-00	COVER, SPEEDOMETER	1	

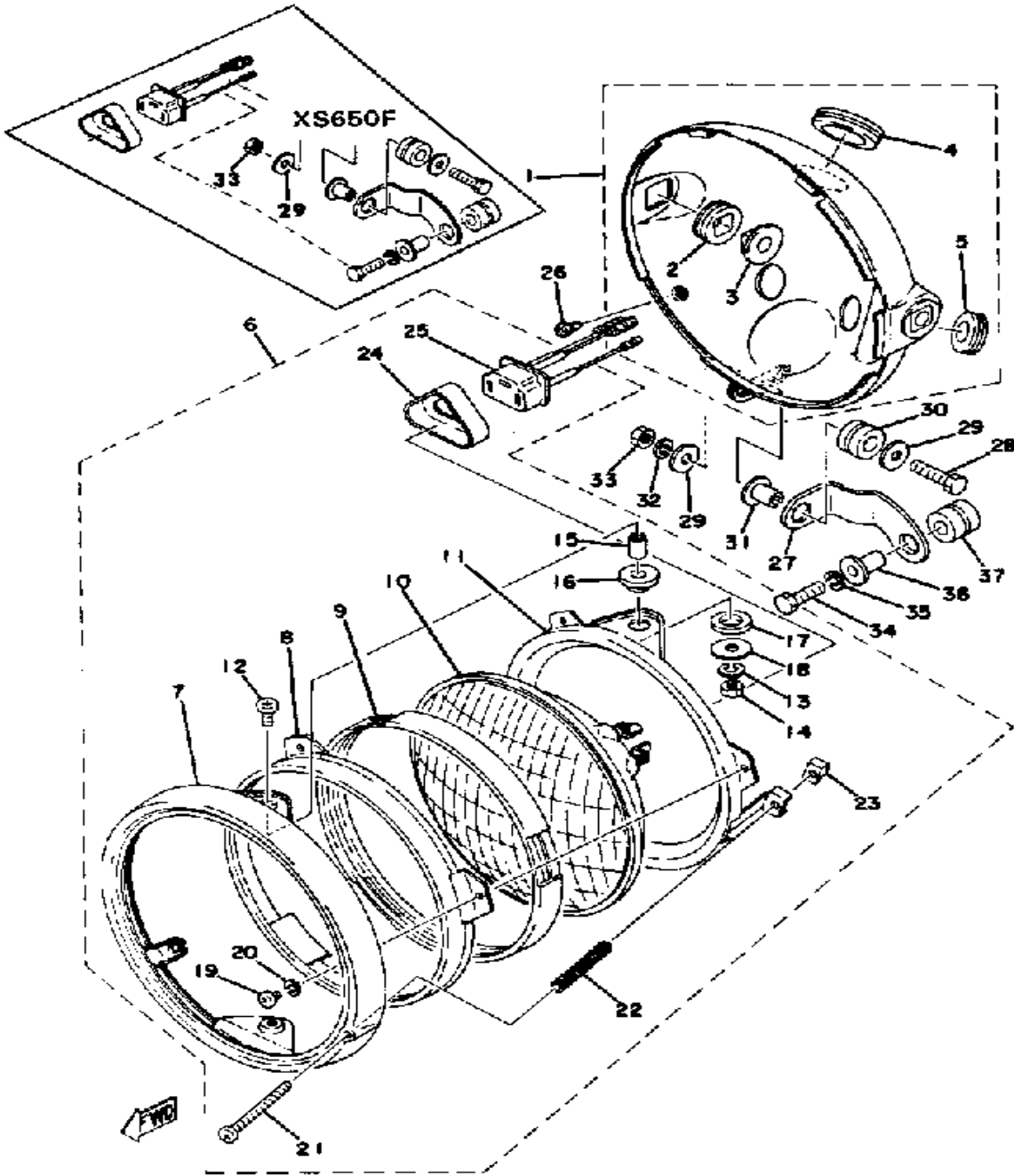
CONTINUED ON NEXT FRAME ➤

SPEEDOMETER - TACHOMETER XS650D - E



Ref. No.	Part Number	Description	Qty	Remarks
22	584-83508-00-00	COVER, TACHOMETER	1	
23	584-83523-00-00	DAMPER	4	
24	90201-05031-00	WASHER, PLATE	4	
25	95303-05800-00	NUT (CROWN)	4	
26	584-83546-00-00	BOLT	4	
27	92990-06200-00	WASHER, PLAIN	4	
28	92995-06100-00	WASHER, SPRING	4	
29	95303-06800-00	NUT (CROWN)	4	
30	(1T3-83509-00-00)	SOCKET CORD ASSEMBLY ..	1	
31	123-83516-21-00	BULB (12V-3.4W)	4	
32	34X-83550-01-00	SPEEDOMETER CABLE ASSEMBLY	1	
33	447-83560-01-00	TACHOMETER CABLE	1	
34	98506-04020-00	SCREW, PAN HEAD	4	
35	92906-04100-00	WASHER, SPRING	4	
36	92906-04600-00	WASHER, PLATE	4	

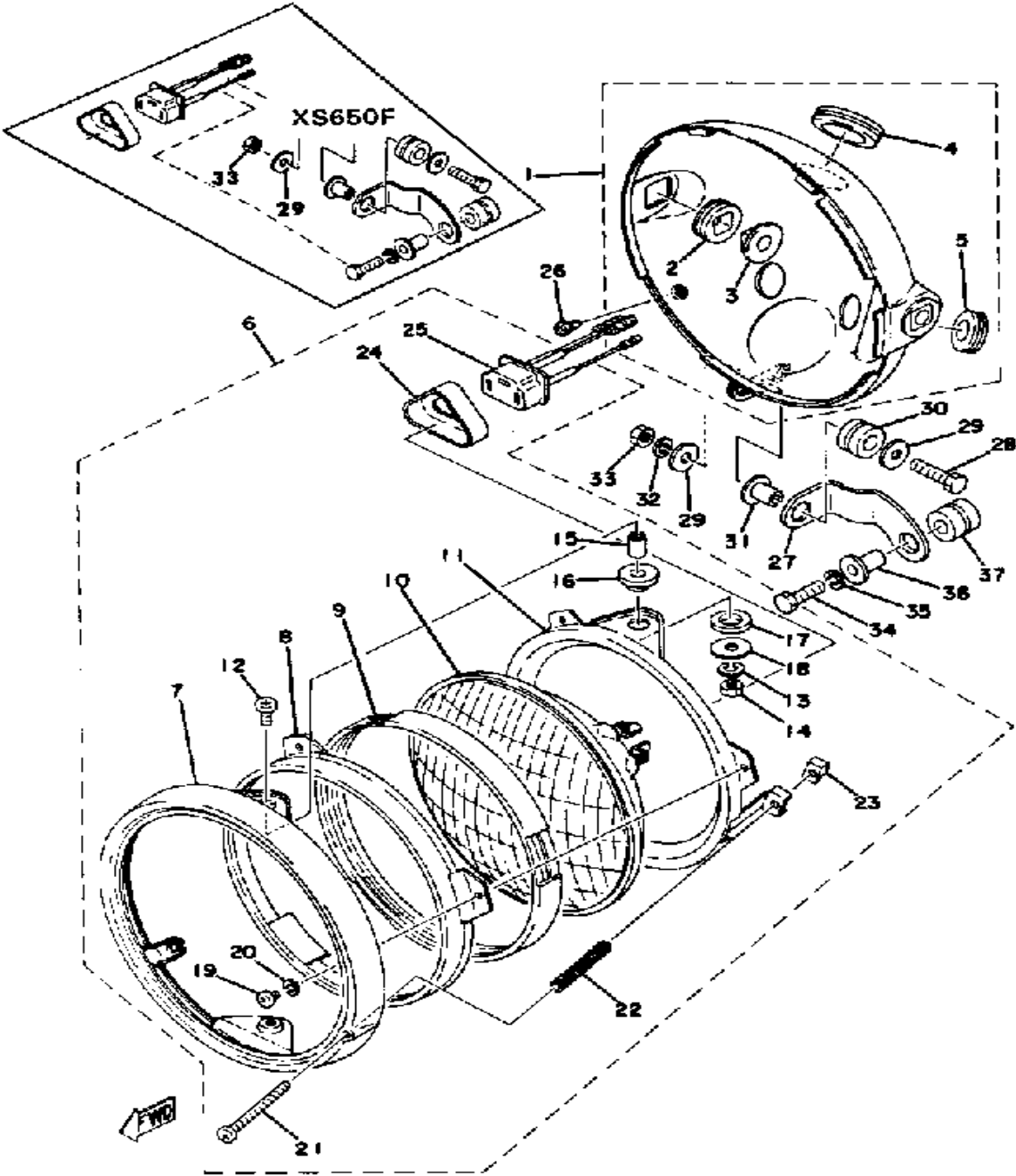
HEADLIGHT XS650D - E - E006501~ - F



Ref. No.	Part Number	Description	Qty	Remarks
1	584-84330-62-33	BODY ASSEMBLY	1	YAMAHA BLK
2	584-84345-60-00	. DAMPER, HEADLIGHT	2	
3	584-84338-60-00	. COLLAR, BODY FTNG	2	
4	214-84153-60-00	. GROMMET, WIREHERNESS	1	
	214-84153-60-00	. GROMMET, WIREHERNESS	3	
5	150-84153-00-00	. GROMMET, WRHRNES	2	
6	UNA-VAILA-BL-EI	0 0	111	
7	341-84315-40-00	. RIM, HEADLIGHT	1	
8	447-84395-60-00	. RING, RETAINING	1	
9	447-84322-60-00	. GASKET, LENS	1	
10	341-84320-60-00	. LENS ASSEMBLY	1	
11	447-84394-69-00	. RING, MOUNTING	1	
12	98511-05020-00	. SCREW, PAN HEAD	2	
13	92990-05100-00	. WASHER, SPRING	2	
14	95380-05600-00	. NUT	2	
15	584-84392-60-00	. COLLAR 1	2	
16	584-84393-60-00	. DAMPER	2	
17	584-84399-60-00	. DAMPER, MNTNG RNG 1	1	
18	90201-05032-00	. WASHER, PLATE	2	
19	98580-04008-00	. SCREW, PAN HEAD	3	
20	92901-04100-00	. WASHER, SPRING	3	
21	447-84331-61-00	. SCREW, RIM ADJUSTING	1	
22	447-84332-60-00	. SPRING, SCREW	1	
23	198-84334-60-00	. NUT, ADJUSTING	1	
24	341-84397-61-00	. COVER, SOCKET	1	
25	371-84312-60-00	. SOCKET	1	
26	90152-05005-00	SCREW, COUNTERSUNK	2	
27	(1T3-84318-00-00)	STAY, HEADLIGHT 1	1	
28	97313-06030-00	BOLT, HEXAGON	1	

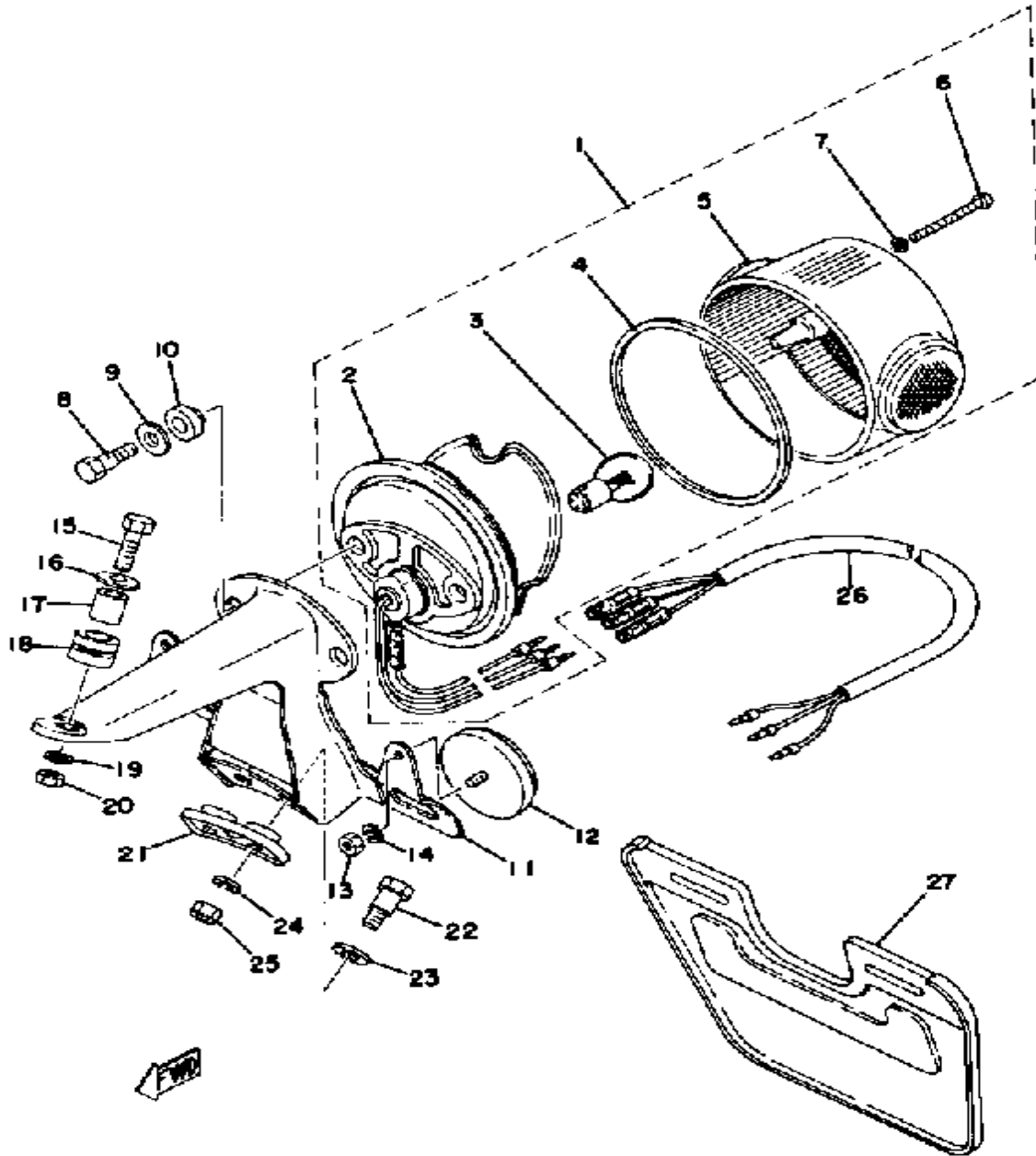
CONTINUED ON NEXT FRAME ➤

HEADLIGHT XS650D - E - E006501~ - F



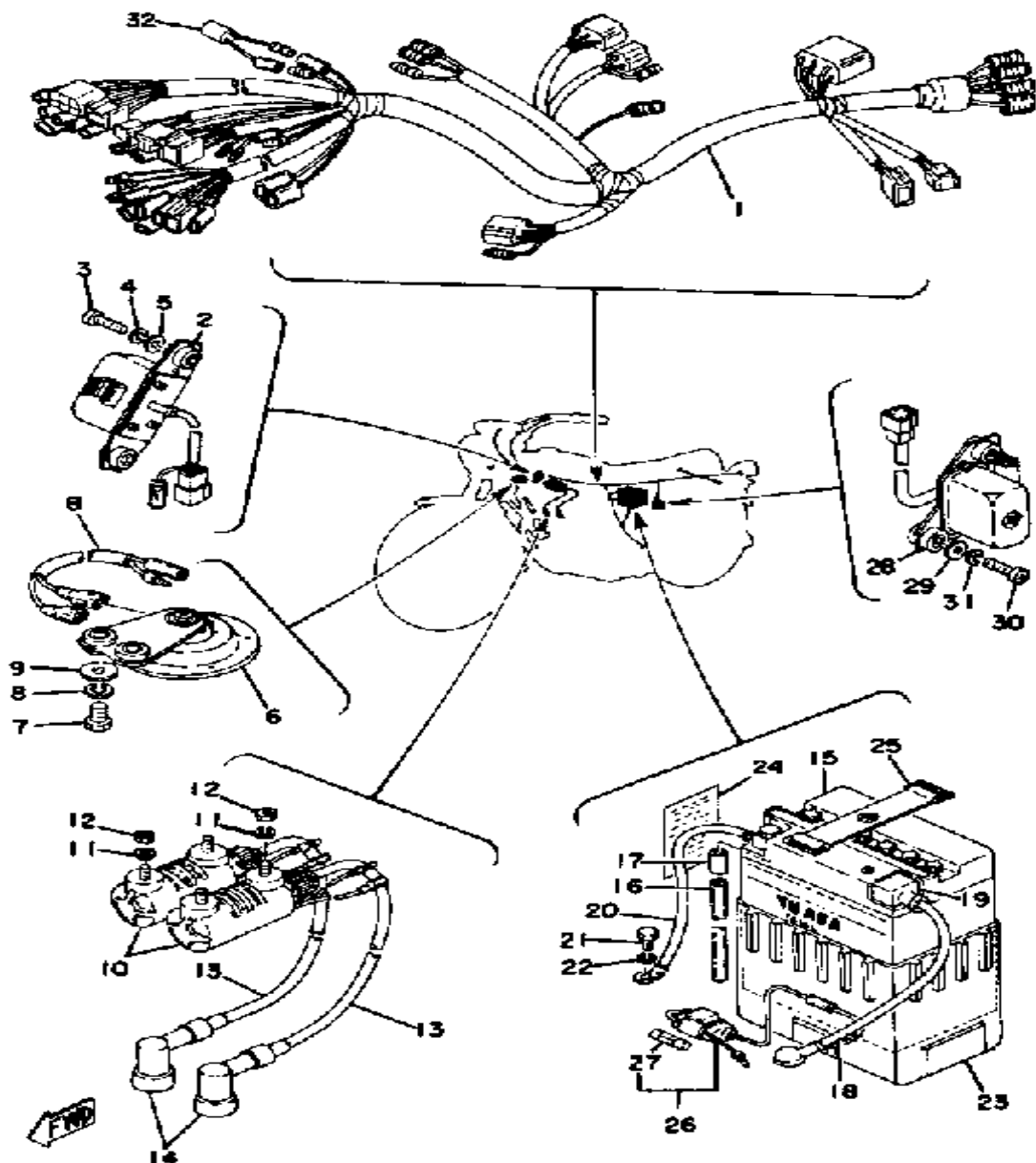
Ref. No.	Part Number	Description	Qty	Remarks
29	90201-06067-00	WASHER, PLATE	2	
30	90480-14023-00	GROMMET	1	
31	90387-06388-00	COLLAR	1	
32	92995-06100-00	WASHER, SPRING	1	
33	95380-06600-00	NUT, HEXAGON	1	
34	97313-06025-00	BOLT, HEXAGON	1	
35	92995-06100-00	WASHER, SPRING	1	
36	90387-07549-00	COLLAR	1	
37	90480-14244-00	GROMMET	1	

TAILLIGHT XS650D - E - E006501~ - F



Ref. No.	Part Number	Description	Qty	Remarks
1	371-84710-61-00	TAILLIGHT UNIT ASSEMBLY ..	1	
2	371-84710-61-00	. TAILLIGHT UNIT ASSEMBLY .	1	
3	256-84714-61-00	. BULB (12V-27/8W)	1	
4	275-84523-60-00	. GASKET, LENS	1	
5	341-84721-60-00	. LENS, TAILLIGHT	1	
6	98580-04055-00	. SCREW, LENS FITTING	3	
7	341-84722-60-00	. WASHER	3	
8	(479-84526-00-00)	SCREW	2	
9	2H7-84754-00-00	WASHER, SPECIAL	2	
10	275-84527-60-00	DAMPER	2	
11	341-84751-61-93	BRACKET, LICENSE	1	
12	449-85131-02-00	REFLECTOR, REAR 1	2	
13	95380-05600-00	NUT	2	
14	92990-05100-00	WASHER, SPRING	2	
15	97011-06025-00	BOLT (97001-06025)	1	
16	90209-06095-00	WASHER, SPEC'L SHAP (102-28323-00)	1	
17	90387-07390-00	COLLAR	1	
18	90480-14023-00	GROMMET	1	
19	92995-06100-00	WASHER, SPRING	1	
20	95380-06600-00	NUT, HEXAGON	1	
21	214-84553-01-00	DAMPER	1	
22	90109-06017-00	BOLT	2	
23	92990-08200-00	WASHER, PLAIN	2	
24	92995-06100-00	WASHER, SPRING	2	
25	95380-06600-00	NUT, HEXAGON	2	
26	438-84517-00-00	CORD, TAILLIGHT	1	
27	(447-28189-00-00)	PLATE, NO SUPPORT	1	

ELECTRICAL 1 XS650D - E - E006501~ -

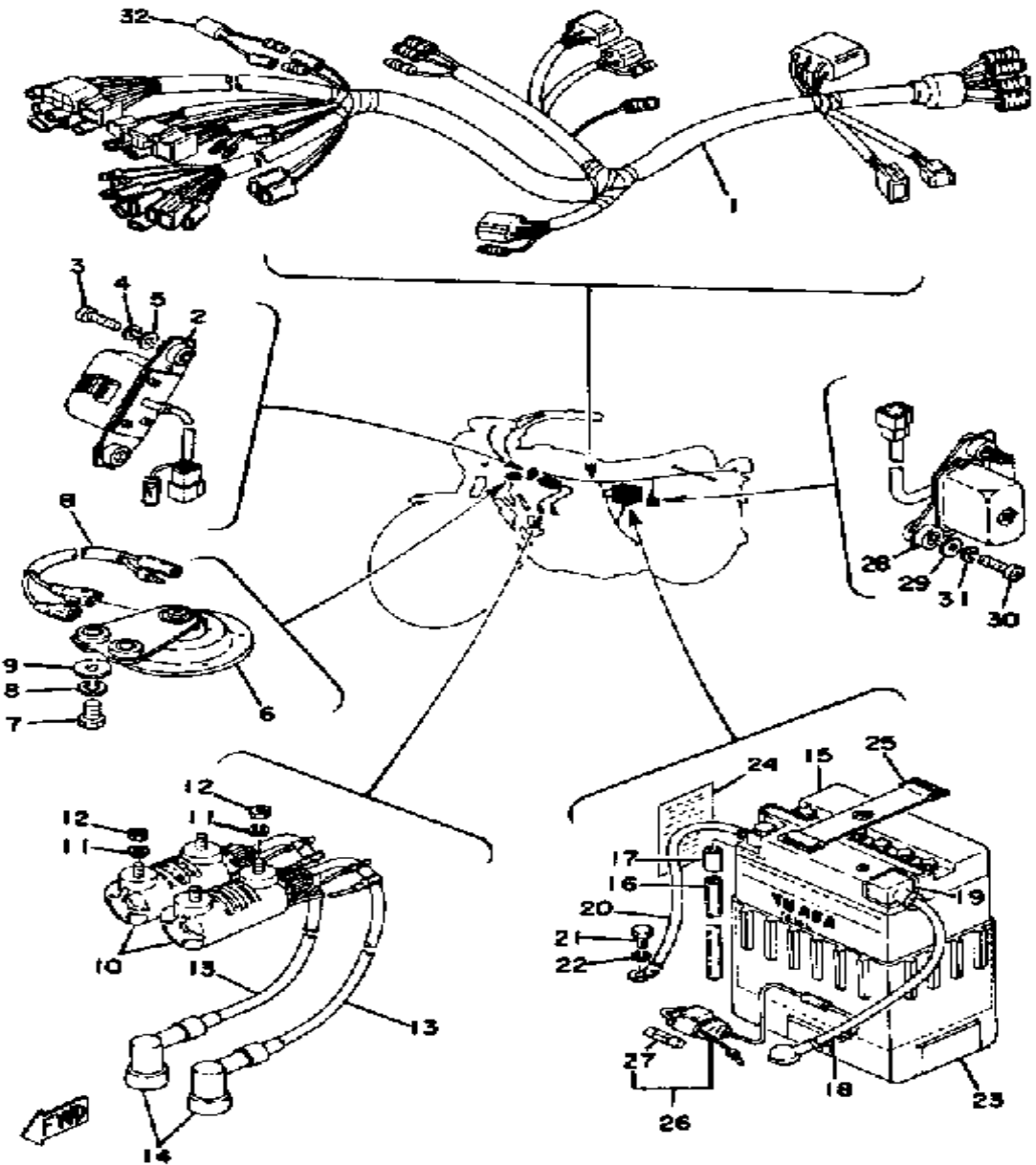


SEE GRIDS J1, J2 FOR SERVICE DATA.

Ref. No.	Part Number	Description	Qty	Remarks
1	(1T3-82590-60-00)	WIRE HARNESS ASSEMBLY ..	1	
	(2F0-82590-51-00)	WIRE HARNESS ASSEMBLY ..	1	
	(2F0-82590-52-00)	WIRE HARNESS ASSEMBLY ..	1	
	1T3-82590-61-00	WIRE HARNESS ASSEMBLY ..	1	ENGINE 7040015
2	2F0-81950-50-00	RELAY ASSEMBLY	1	
	447-81950-10-00	RELAY ASSEMBLY	1	
	447-81950-50-00	RELAY ASSEMBLY	1	
3	98511-06025-00	SCREW PAN HEAD	2	
4	92995-06100-00	WASHER, SPRING	2	
5	90201-06M08-00	WASHER, PLATE	2	
6	366-83371-52-00	HORN	1	
7	97001-08025-00	BOLT (1NV)	2	
8	92990-08100-00	WASHER, SPRING	2	
9	90201-08107-00	WASHER, PLATE	2	
10	254-82310-60-00	IGNITION COIL ASSEMBLY ...	2	
11	92995-06100-00	WASHER, SPRING	4	
12	95380-06600-00	NUT, HEXAGON	4	
13	4X7-82341-00-00	CORD, HIGH TENS 1 (4X7-82342-00)	2	
14	256-82370-00-00	PLUG CAP ASSEMBLY	2	
	512-82370-10-00	PLUG CAP ASSEMBLY	2	
15	BTY-YB14L-A2-00	BATTERY ASSEMBLY (YB14L-A2)	1	12V-14AH
16	90445-08582-00	HOSE	1	
17	(90386-07043-00)	BUSH, SPEC'L NYLON	1	
18	447-82115-01-00	WIRE, PLUS LEAD	1	
19	447-82119-00-00	COVER, LEAD WIRE	1	
20	447-82116-00-00	WIRE, MINUS LEAD	1	
	97013-06012-00	BOLT	1	5015

CONTINUED ON NEXT FRAME ►

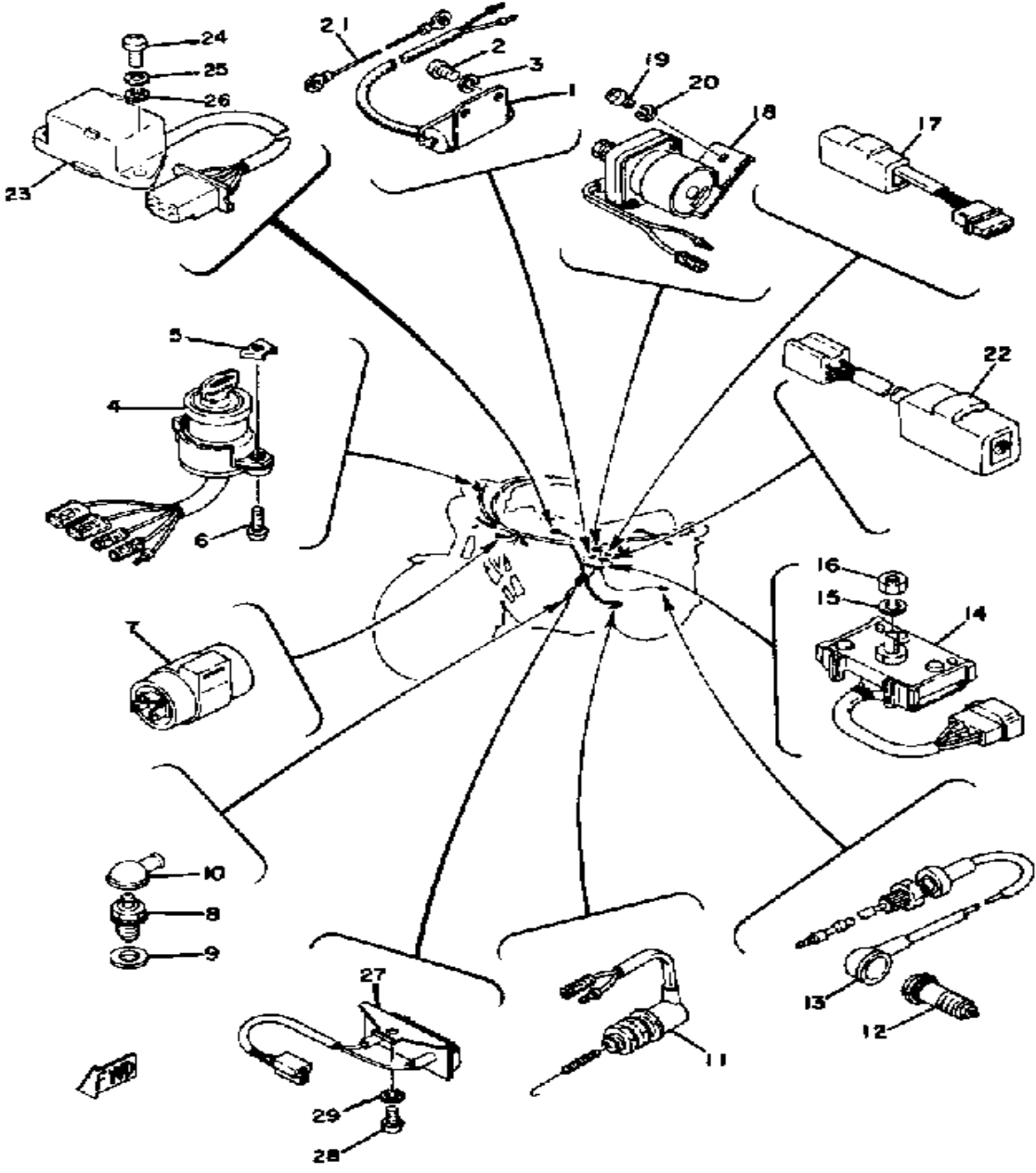
ELECTRICAL 1 XS650D - E - E006501~ -



Ref. No.	Part Number	Description	Qty	Remarks
21	97013-06012-00	BOLT	1	
22	92995-06100-00	WASHER, SPRING	1	
23	447-82122-00-00	SEAT, BATTERY	1	
24	118-82141-09-00	LABEL, BATTERY	1	
25	120-82131-00-00	BAND, BATTERY	1	
26	2UJ-82150-01-00	FUSE HOLDER ASSEMBLY (2UJ-82150-00-00)	1	
27	1A0-82161-00-00	. FUSE (20A) (148-82151-00-00)		
28	1L9-81910-50-00	VOLTAGE REG ASSEMBLY ..	1	
29	90201-06M08-00	WASHER, PLATE	2	
30	98511-06025-00	SCREW PAN HEAD	2	
31	92995-06100-00	WASHER, SPRING	2	
32	341-81980-30-00	DIODE (341-81980-01)	1	

SEE GRIDS J1, J2 FOR SERVICE DATA.

ELECTRICAL 2 XS650D

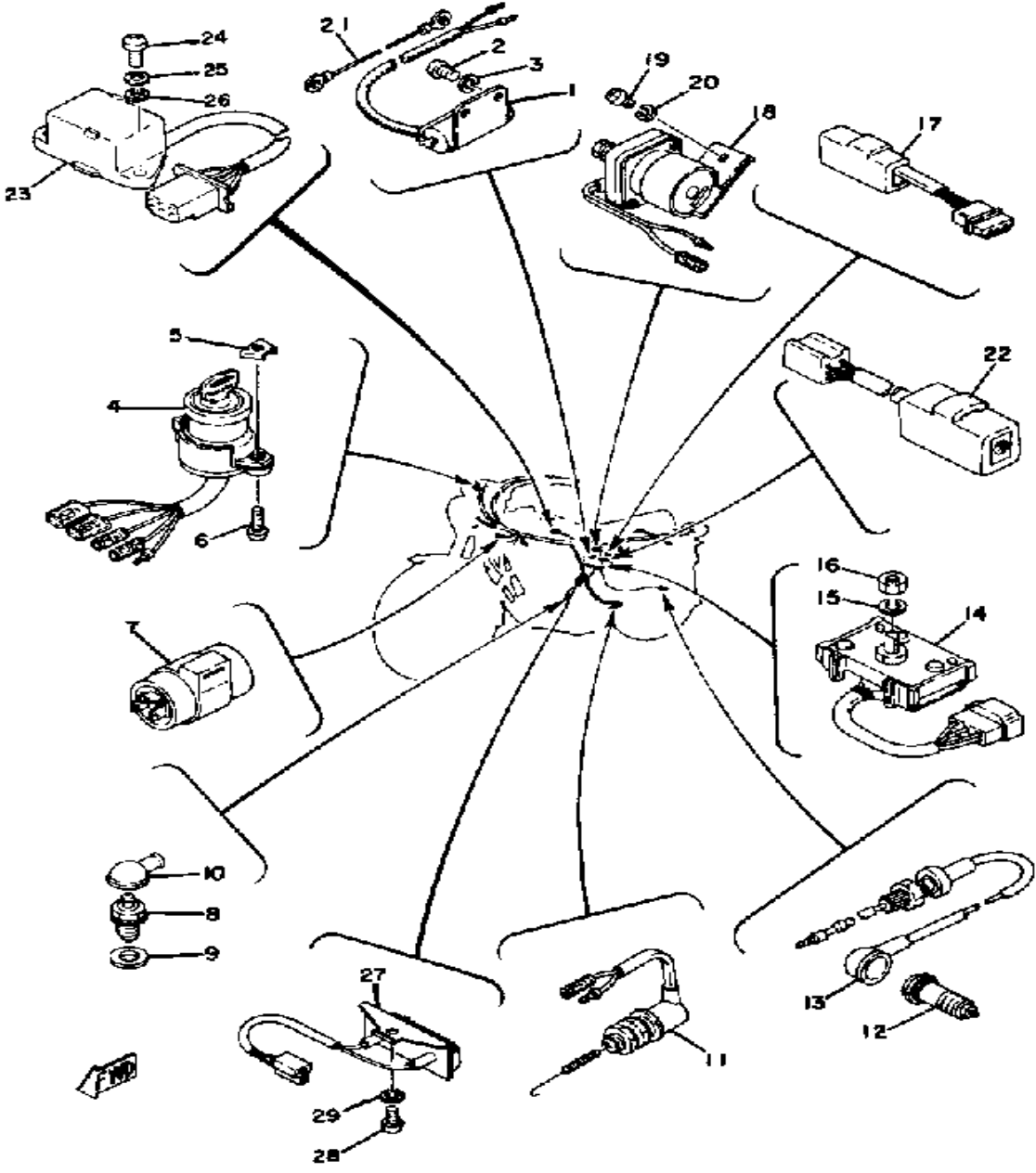


SEE GRIDS J1, J2 FOR SERVICE DATA.

Ref. No.	Part Number	Description	Qty	Remarks
1	256-81625-10-00	CONDENSER 1	1	
2	98580-06008-00	SCREW, PAN HEAD	2	
3	92995-06100-00	WASHER, SPRING	2	
4	584-82508-40-00	MAIN SWITCH ASSEMBLY	1	
5	533-82517-00-00	WASHER, SPECIAL	2	
6	98580-05016-00	SCREW, PAN HEAD	2	
7	2F0-83350-70-00	FLASHER RELAY ASSEMBLY	1	
8	136-82540-00-00	NEUTRAL SWITCH ASSEMBLY	1	
9	37R-82543-00-00	GASKET (136-82543-00)	1	
10	168-82542-10-00	CAP	1	
11	533-82530-02-00	STOP SWITCH ASSEMBLY	1	
12	341-82503-01-00	SWITCH, ALARM	1	DISCONTINUED FROM ENGINE 70400
13	447-82531-00-00	WIRE, LEAD	1	DISCONTINUED FROM ENGINE 70400
14	447-81970-10-00	RECTIFIER ASSEMBLY	1	
15	92990-08100-00	WASHER, SPRING	1	
16	95303-08700-00	NUT	1	
17	371-84708-02-00	CHECKER, LIGHT	1	
18	447-81940-10-00	STARTER SWITCH ASSEMBLY	1	
19	98503-06014-00	SCREW, PAN HEAD	1	
20	92995-06100-00	WASHER, SPRING	1	XS650D
	92995-06100-00	WASHER, SPRING	1	XS650D
21	256-81615-00-00	WIRE, LEAD	1	
22	1A0-83395-03-00	FLASHER CANCL UNIT	1	
23	1J7-84308-00-00	RSRV LTNG UNIT ASSEMBLY	1	
24	98580-06018-00	SCREW, PAN HEAD (N15)	2	
25	92995-06100-00	WASHER, SPRING	2	
26	92901-06600-00	WASHER, PLATE	2	

CONTINUED ON NEXT FRAME ►

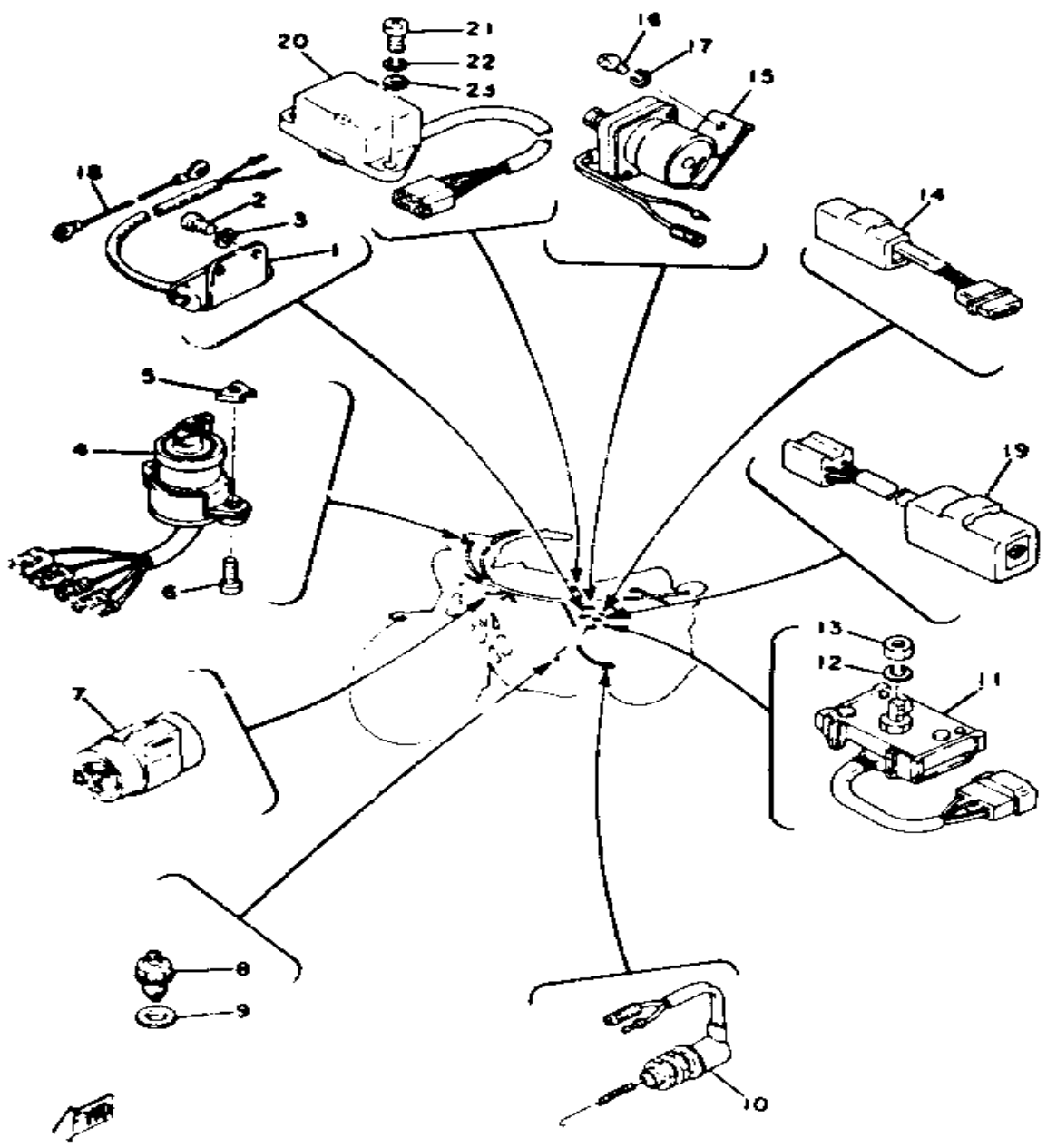
ELECTRICAL 2 XS650D



Ref. No.	Part Number	Description	Qty	Remarks
27	1J7-81911-01-00	RESISTOR	1	
28	97013-06012-00	BOLT	1	
29	92995-06100-00	WASHER, SPRING	1	

SEE GRIDS J1, J2 FOR SERVICE DATA.

ELECTRICAL 2 XS650 E006501~ - F



Ref. No.	Part Number	Description	Qty	Remarks
1	256-81625-10-00	CONDENSER 1	1	
2	98580-06008-00	SCREW, PAN HEAD	2	
3	92995-06100-00	WASHER, SPRING	2	
4	2F0-82508-50-00	MAIN SWITCH ASSEMBLY	1	
5	533-82517-00-00	WASHER, SPECIAL	2	
6	98580-05016-00	SCREW, PAN HEAD	2	
7	2F0-83350-70-00	FLASHER RELAY ASSEMBLY	1	
8	136-82540-00-00	NEUTRAL SWITCH ASSEMBLY	1	
9	37R-82543-00-00	GASKET (136-82543-00)	1	
10	533-82530-02-00	STOP SWITCH ASSEMBLY	1	
11	447-81970-10-00	RECTIFIER ASSEMBLY	1	
12	92990-08100-00	WASHER, SPRING	1	
13	95303-08700-00	NUT	1	
14	371-84708-02-00	CHECKER, LIGHT	1	
15	447-81940-10-00	STARTER SWITCH ASSEMBLY	1	
16	98503-06014-00	SCREW, PAN HEAD	1	
17	92995-06100-00	WASHER, SPRING	1	
18	256-81615-00-00	WIRE, LEAD	1	
19	1A0-83395-03-00	FLASHER CANCL UNIT	1	
20	1T3-84308-00-00	RSRV LTNG UNIT ASSEMBLY	1	
21	98580-06018-00	SCREW, PAN HEAD (N15)	2	
22	92995-06100-00	WASHER, SPRING	2	
23	92901-06600-00	WASHER, PLATE	2	XS650E/E0065015/F

GASKET KIT XS650E - F

Ref. No.	Part Number	Description	Qty	Remarks
23	(2F0-00000-20-00)	GSKTKT XS650E/F		
	256-11146-00-00	. GASKET, BREAKER CVR ...	2	
	256-11351-01-00	. GASKET, CYLINDER	1	
	256-13414-00-00	. GASKET, STRNR COVER ...	1	
	256-13445-00-00	. GASKET, ELEMENT	1	
	256-15395-00-00	. GASKET, OIL SEALING	1	
	256-15451-00-00	. GASKET, CRCS COVER	1	RH
	256-15456-00-00	. GASKET, O/PMP CVR 1	1	2
	306-11181-09-00	. GASKET, CYLH 1	1	
	306-15461-00-00	. GASKET, CRCS CVR 2	1	LH
	341-12119-02-00	. SEAL, VALVE STEM	1	1
	90430-08143-00	. GASKET	6	
	93210-12152-00	. O-RING	4	
	93210-45150-00	. O-RING	2	
	93210-62451-00	. O-RING	1	
	93210-62451-00	. O-RING	3	
	93210-81731-00	. O-RING	2	

TOP END GASKET KIT XS650D - E - E000

Ref. No.	Part Number	Description	Qty	Remarks
23	(3G1-W0001-90-00)	GASKT KIT TE XS6 0		
	256-11146-00-00	. GASKET, BREAKER CVR ...	2	
	256-11169-01-00	. GASKET, BRTHR COVER ...	1	
	256-11351-01-00	. GASKET, CYLINDER	1	
	256-13556-01-00	. GASKET, MANIFOLD	2	
	306-11181-09-00	. GASKET, CYLH 1	1	
	306-12213-02-00	. GASKET, TENSNR CASE ...	1	
	341-12119-02-00	. SEAL, VALVE STEM	4	
	3G1-13556-00-00	. GASKET, MANIFOLD	2	
	90210-10004-00	. WASHER, SEAL	4	
	90430-06014-00	. GASKET	2	
	90430-10171-00	. GASKET (90430-10148-00) ...	4	
	90430-11033-00	. GASKET	2	
	90430-14043-00	. GASKET	1	
	90430-18130-00	. GASKET		
	90430-38054-00	. GASKET	2	
	93101-25044-00	. OIL SEAL, S-TYPE	2	
	93210-12152-00	. O-RING	4	
	93210-17143-00	. O-RING	4	
	93210-21190-00	. O-RING	1	
	93210-45150-00	. O-RING	2	
	93210-62451-00	. O-RING	4	
	93210-81731-00	. O-RING	2	

D-23
XS650D MOTORCYCLE
1977 SERVICE DATA M6-052

MODEL - IBM I.D. NUMBER	XS650D	1T3
Starting Engine and Frame Number	447-700101	
Basic Color (fuel tank)	Maxi Maroon, Bountiful Blue	
Net Weight	467 lbs.	
ENGINE (type, induction system)	4-stroke, Twin, O.H.C., Air-cooled	
Bore x Stroke x Cylinder(s) Displacement	75 x 74mm x 2 653cc (39.85 CID)	
Compression Ratio (pressure)	8.4:1	
Piston Skirt Clearance (new/max.)	.050 ~ .055mm (.0020 ~ .0022") / 0.1mm (.004")	
Ring End Gap (top/2nd/3rd)	0.2 ~ 0.4mm (.008 ~ .016") / Same / ϕ	
Ring Groove Clearance (top/2nd/3rd)	.04 ~ .08mm (.0016 ~ .0032") / .03 ~ .07mm / ϕ	
Valve Clearance (eng. cold) Intake/Exhaust	IN: .05mm (.002") / EX: 0.15mm (.006")	
AUTOLUBE - Minimum Pump Stroke/Color Code	ϕ	
CARBURETOR (mfr.) (type) (I.D. number)	Mikuni / BS38 / 58400	
Main Jet	No. 122.5 / M.A.J. 1.0	
Needle Jet	Z-8	
Jet Needle/Clip Position	4M1-3	
Cutaway	No. 120	
Pilot Jet	No. 25	
Air Jet	(1.0) (1.4)	
Starter Jet	No. 1: No. 80 / No. 2: 0.5	
Air Screw (turns out) (idle speed)	1½ ± ½ (mixture screw - with cap removed)	
Float Level	25.0 ± 1.0mm	
Air Filter (type x quantity)	Dry Foam Rubber x 2 1,200rpm	
DRIVE - Primary (type) (teeth) (ratio)	Spur Gear 72/27 2.667	
Secondary (type) (teeth) (ratio)	DK530HDS, 103L 34/17 2.000	
Transmission Ratios 1st (teeth) (ratio) (O.A.)	32/13 2.461 11.809	
2nd	27/17 1.588 8.470	
3rd	26/20 1.300 6.933	
4th	23/21 1.095 5.841	
5th	22/23 0.956 5.101	
6th	ϕ	
CAPACITIES - Transmission	(See Engine Oil) Yamalube 4-cycle* (SAE20W40)	
Oil Tank or Engine Sump	Change=2,000cc Total=2,500cc	
Fuel Tank	4.0 gals. Low Lead (Regular) or Unleaded	
Front Forks	168cc (5.7 oz.) 20wt. Fork Oil*	
Rear Shocks	ϕ	
Tires (size/normal pressure)	Front: 3.50H-19/23psi / Rear: 4.00H-18/28psi	
ELECTRICAL - Charging System (mfr.) (type)	Hitachi / Regulated A.C. Generator	
No Load Voltage Adj. (AC & DC generators)	14.5 ± 0.5V @ 3,000rpm	
Max. Generator (Magnet) Output	14V 11A @ 2,000rpm	
Field Coil (and/or) Charging Coil Resistance	N/A	
Battery (mfr.) (model) (rating) (charge rate)	YUASA / YB14L A2 / 12V 14AH / 1.4A x 10 hrs.	
Headlight/Taillight Ratings	12V50W/40W / 12V8W	
Ign. Coil Min. Spark Gap/Pri. Res./Sec. Res.	7mm @ 7,000rpm / 3.9 Ω / 8.0K Ω	
Source Coil Res./Pulse Coil Res.	ϕ	
Condenser Capacity	0.22 μ F	
Point Gap/Spark Plug (type/gap)	0.35mm (.014") / NGK BP-7ES / 0.6 ~ 0.7mm	
Timing (advanced) (retarded)	(41.5° @ 3,300rpm) (13 ~ 17° @ 1,200rpm)	

N/A = Information Not Available * Available from Yamaha Parts Distributors, Inc.
 ϕ = Does Not Apply To This Model

C-18
XS650E MOTORCYCLE
1978 SERVICE DATA M7-042

MODEL - IBM I.D. NUMBER	XS650EB / XS650EG - 2F0
Initial Engine Number/Frame Number	2F0-000101 / 2F0-000101
Basic Color(s)	Star Black or Spruce Green Metallic
ENGINE TYPE	4-stroke, air-cooled, SOHC
Bore/Stroke/Number Cylinders/Displacement (cc)	75mm / 74mm / 2 / 653cc
Compression Ratio/Compression Pressure min. ~ max.	8.5:1 / 128 ~ 156 psi
Piston Skirt Clearance new/max.	.050 ~ .055mm / 0.1mm
Ring End Gap top/2nd/3rd	0.2 ~ 0.4mm / same / 0.3 ~ 0.9mm
Valve Clearance (cold) Intake/Exhaust	0.10mm / 0.15mm
Oil Pressure hot/rpm	ϕ
Oil Tank or Engine Sump Capacity	Oil Chg 2000cc / Dry 2500cc
AUTOLUBE - Min. stroke/Color code	ϕ
Minimum Output @ 200 strokes	ϕ
Maximum Output @ 200 strokes	ϕ
CARBURETOR - mfr./type/I.D. number	Mikuni / BS38 / 2F0 00
Main Jet/Pilot Jet	135 / 27.5
Needle Jet/Jet Needle-Clip Position	Z-2 / 502-3
Slide Cutaway or Throttle Valve	120
Float Level	24mm ± 1mm
Mixture Screw - turns out/idle rpm	2¼ / 1200 ± 50 rpm
SUSPENSION	
Front Forks: Oil type/level/qty	10 wt. Fork Oil / ϕ / 169cc
Gas Pressure	ϕ
Spring Length std	482mm
Monoshock: Oil type/qty	ϕ
Gas Pressure	ϕ
TRANSMISSION - oil type/qty chg/qty reassemble	SAE20W40 (Yamalube 4*) See ENGINE
Primary drive type	Spur Gear
Secondary type/teeth/chain	Chain / 34-17 / DK530HDS - 104L
Clutch Friction Plate Thickness std ~ min.	3.0mm ~ 2.7mm
Clutch Spring Length std ~ min.	34.6mm std
Tires size (nominal pressure)	Front: 3.50H19 (23psi) Rear: 4.00H18 (28psi)
ELECTRICAL - System/Type	AC Generator / Battery & Coil
Maximum Output	14V11A @ 2000 rpm
Field Coil Color Code/ Ω	Rotor: 5.25 Ω ± 10% Stator: 0.46 Ω ± 10%
Charging Coil Color Code/ Ω	ϕ
Source Coil Color Code/ Ω	ϕ
Lighting Coil Color Code/ Ω	ϕ
Pulse Coil or Pickup Coil Color Code/ Ω	ϕ
Ignition Coil test gap/Primary Ω / Secondary Ω	6mm / 3.9 Ω ± 10% / 8K Ω ± 20%
Battery-model/spec. grav./chg rate x hour	Yuasa YB14L (12V14AH) / 1.280 / 1.4A x 10 hr.
Headlight/Taillight/Signal Rating	12V-50-40W / 12V27-8W / 12V27W
Point Gap/Condenser Capacitance	0.30 ~ 0.40mm / 0.22 μ F ± 10%
Spark Plug Type	Champion N7Y
Spark Plug Gap/Torque/Cap Ω	0.7 ~ 0.8mm / 2.0kg-m / 10K Ω
Timing Static	15° Mark
Dynamic	STD - 15° @ 1200 rpm ADV - 41.5° @ 3300 rpm

©YAMAHA MOTOR CORPORATION, U. S. A., BUENA PARK, CALIFORNIA

7/20/77 Page 1 of 1

XS650F MOTORCYCLE 1979 SERVICE DATA M8-040

MODEL — IBM I.D. NUMBER	XS650F	2F0
Initial Engine Number/Frame Number	2F0-020101 / 2F0-020101	
Basic Color(s)	Cobalt Blue	
Fuel Type/Fuel Tank Capacity/Reserve Capacity	Regular / 15 Lit. (4 Gal.) / 2.5 Lit. (0.6 Gal.)	
Dry Vehicle Weight	210 kg (463 lbs.)	
ENGINE TYPE	4-Stroke, SOHC, Air-Cooled	
Bore/Stroke/Number Cylinders/Displacement (cc)	75mm / 74mm / 2 / 654cc	
Compression Ratio/Compression Pressure min ~ max	8.5:1 / 9.5 ~ 11.5 kg/cm ²	
Piston Skirt Clearance new/max.	0.050 ~ 0.055mm / 0.1mm	
Ring End Gap top/2nd/3rd	0.2 ~ 0.4mm / 0.2 ~ 0.4mm / 0.3 ~ 0.9mm	
Valve Clearance (cold) Intake/Exhaust	0.06mm / 0.15mm	
Oil Pressure hot/rpm	φ	
Oiling System	Wet Sump	
Capacity: Dry	2500cc	
Oil and Filter Change	2000cc	
Oil Change	2000cc	
Lubricant: Temp above 5°C (40°F)	Yamalube 4* or SAE 20W40 SE	
Below 15°C (60°F)	Yamalube 4* or SAE 20W40 SE	
AUTOLUBE — Min. Stroke/Color Code	φ	
Minimum Output @ 200 cycles	φ	
Maximum Output @ 200 cycles	φ	
CARBURETOR — Mfr./Type/I.D. Number	Mikuni / BS38 / 2F000	
Main Jet/Pilot Jet	135 / 27.5	
Needle Jet/Jet Needle-Clip Position	Z-2 / 502-3	
Slide Cutaway or Throttle Valve	120	
Float Level	24 ± 2.5mm	
Idle RPM	1200	
CO % @ Idle (Diagnostic Use Only)	3 ± 2%	
SUSPENSION		
Front Forks: Oil Type/Level/Qty.	10 wt. Fork Oil* / φ / 164 ~ 172cc	
Gas Pressure	φ	
Spring Length Std.	482mm	
Monoshock: Oil Type/Qty.	φ	
Gas Pressure	φ	
Minimum Brake Lining Thickness	Front: 6.0mm Rear: 2.0mm	
Tire Size (Nominal Pressure)	F:3.50H19(1.6 kg/cm ² /22 psi)R:4.00H18(2.0kg/cm ² /28 psi)	
TRANSMISSION — Oil Type/Qty Chg/Qty Reassemble	See ENGINE Lubricant	
Primary Drive Type/Teeth/Ratio	Spur Gear / 72-27 / 2.666	
Secondary Drive Type/Teeth/Chain	Chain / 34-17 / DID530HDS-104L	
Clutch Friction Plate Thickness Std ~ min.	3.0 ~ 2.7mm	
Clutch Spring Length Std ~ min.	34.6 ~ 33.6mm	
Middle Gear Case Capacity	φ	
Final Gear Case Capacity	φ	
Gear Case Lubricant: Temp above 5°C (40°F)	φ	
Temp below 15°C (60°F)	φ	
All Weather Conditions	φ	

CHARGING SYSTEM	A.C. Generator / 3 Phase / Full Wave	
Battery: Model / Spec. Grav. / Chg. Rate	Yuasa YB14L-A2 (12V14AH) / 1.28 / 1.4A	
Maximum Output	14V11A @ 2000 rpm	
TROUBLESHOOTING		
Field Coil Color Code / Ω	Rotor: Grn~Blk/5.25Ω±10% Stator: Wht~Wht/0.46Ω±10%	
Charge Coil Color Code / Ω	φ	
IGNITION SYSTEM	Battery and Coil	
Ignition Timing	15° Mark	
	Std: 15° @ 1200 rpm Adv: 40° @ 3000 rpm	
Spark Plug Type	NGK BP7ES or Champion N7Y	
Spark Plug Gap / Torque / Cap Ω	0.7 ~ 0.8mm / 2.0 m·kg / 10K Ω	
Point Gap / Condenser Capacitance	0.3 ~ 0.4mm / 0.22 μF ± 10%	
TROUBLESHOOTING		
Ignition Coil Test Gap / Primary Ω / Secondary Ω	6.0mm / 3.9 Ω ± 10% / 8.0K Ω ± 20%	
Pulse Coil or Pick-up Coil Color Code / Ω	φ	
Source Coil Color Code / Ω	φ	
LIGHTING SYSTEM		
Headlight / Taillight / Signal Rating	12V50-40W / 12V27-8W / 12V27W	
TROUBLESHOOTING		
Lighting Coil Color Code / Ω	φ	
TORQUE VALUES		
Front Axle Nut	14 x 1.5: 10.7 m·kg	
Front Axle Holder Nut	8 x 125: 2.0 m·kg	
Rear Axle Nut	18 x 1.5: 15.0 m·kg	
Rear Axle Pinch Bolt	φ	
Clutch Nut	18 x 1.0: 8.0 m·kg	
Drain Plug	30 x 1.5: 4.2 m·kg	
Cylinder Head Cover	φ	
Cylinder Head:	6 x 1.0: 0.9 m·kg 8 x 1.25: 2.1 m·kg	
	Cap Nut 10 x 1.25: 3.7 m·kg	
Engine Mounting Bolts:	Engine, Upper	8 x 1.25: 1.8 m·kg 10 x 1.25: 3.0 m·kg
	Engine, Front	10 x 1.25: 4.6 m·kg
	Engine, Rear	10 x 1.25: 4.0 m·kg
	Rear, Lower	10 x 1.25: 4.6 m·kg
	Engine, Lower	10 x 1.25: 4.6 m·kg

φ Does Not Apply to This Model

* Available From Yamaha Parts Distributors, Inc.

CHARGING SYSTEM	A.C. Generator / 3 Phase / Full Wave
Battery: Model / Spec. Grav. / Chg. Rate	Yuasa YB14L-A2 (12V14AH) / 1.28 / 1.4A
Maximum Output	14V11A @ 2000 rpm
TROUBLESHOOTING	
Field Coil Color Code / Ω	Rotor: Grn~Blk/5.25 Ω ±10% Stator: Wht~Wht/0.46 Ω ±10%
Charge Coil Color Code / Ω	ϕ
IGNITION SYSTEM	Battery and Coil
Ignition Timing	15° Mark
	Std: 15° @ 1200 rpm Adv: 40° @ 3000 rpm
Spark Plug Type	NGK BP7ES or Champion N7Y
Spark Plug Gap / Torque / Cap Ω	0.7 ~ 0.8mm / 2.0 m·kg / 10K Ω
Point Gap / Condenser Capacitance	0.3 ~ 0.4mm / 0.22 μ F ± 10%
TROUBLESHOOTING	
Ignition Coil Test Gap / Primary Ω / Secondary Ω	6.0mm / 3.9 Ω ± 10% / 8.0K Ω ± 20%
Pulse Coil or Pick-up Coil Color Code / Ω	ϕ
Source Coil Color Code / Ω	ϕ
LIGHTING SYSTEM	
Headlight / Taillight / Signal Rating	12V50-40W / 12V27-8W / 12V27W
TROUBLESHOOTING	
Lighting Coil Color Code / Ω	ϕ
TORQUE VALUES	
Front Axle Nut	14 x 1.5: 10.7 m·kg
Front Axle Holder Nut	8 x 1.25: 2.0 m·kg
Rear Axle Nut	18 x 1.5: 15.0 m·kg
Rear Axle Pinch Bolt	ϕ
Clutch Nut	18 x 1.0: 8.0 m·kg
Drain Plug	30 x 1.5: 4.2 m·kg
Cylinder Head Cover	ϕ
Cylinder Head:	6 x 1.0: 0.9 m·kg 8 x 1.25: 2.1 m·kg
	Cap Nut 10 x 1.25: 3.7 m·kg
Engine Mounting Bolts:	
Engine, Upper	8 x 1.25: 1.8 m·kg 10 x 1.25: 3.0 m·kg
Engine, Front	10 x 1.25: 4.6 m·kg
Engine, Rear	10 x 1.25: 4.0 m·kg
Rear, Lower	10 x 1.25: 4.6 m·kg
Engine, Lower	10 x 1.25: 4.6 m·kg

ϕ Does Not Apply to This Model

* Available From Yamaha Parts Distributors, Inc.