

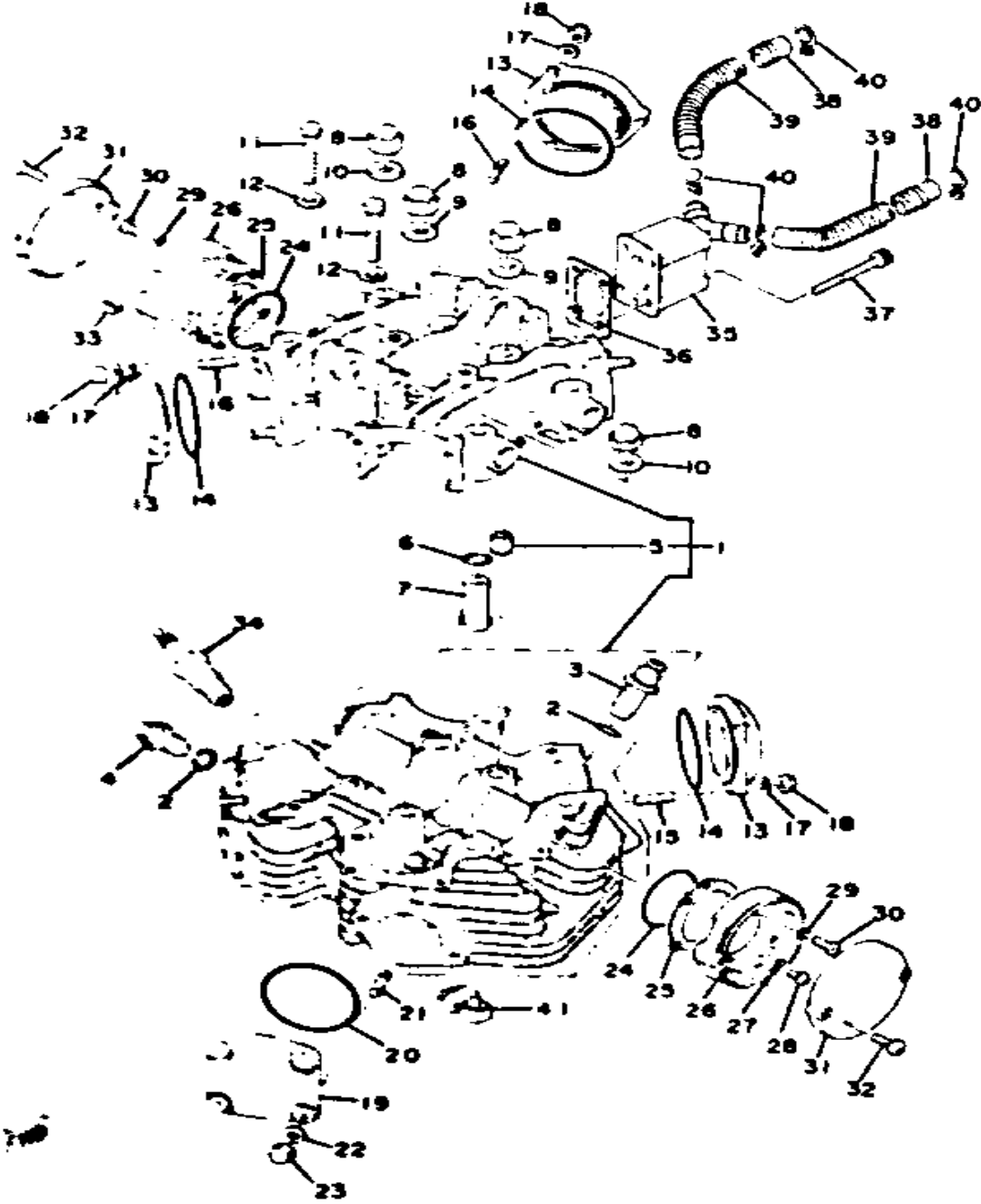
**YAMAHA**

**GENUINE**

**PARTS CATALOGUE**

**MOTORCYCLE**

# CYLINDER HEAD - CYLINDER HEAD COV

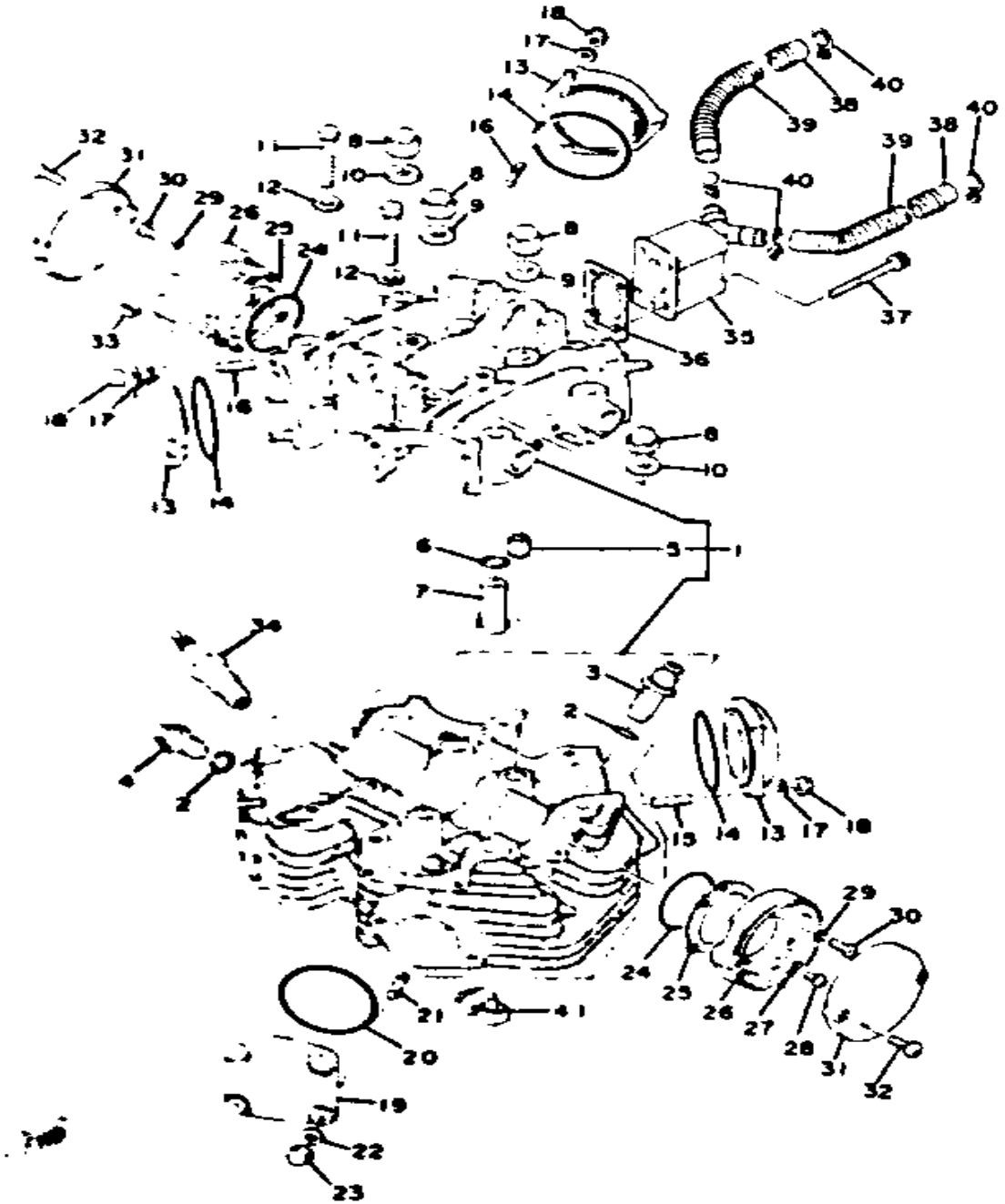


Ref. No.	Part Number	Description	Qty	Remarks
1	(5V4-11101-00-00)	CYLINDER HEAD ASSEMBLY	1	
2	93210-15151-00	. O-RING	4	
3	341-11133-11-00	. GDE, INTK VLV 1 O/S	2	ALTERNATE PART
4	341-11134-11-00	. GDE, EXST VLV 1 O/S	2	ALTERNATE PART
5	99530-14016-00	. PIN, DOWEL	2	
6	93210-12152-00	O-RING	4	
7	256-11199-00-00	SLEEVE, CYLINDER HD COVR	4	
8	90176-10008-00	NUT, CROWN	8	
9	90201-10131-00	WASHER, PLATE	4	
10	90210-10004-00	WASHER, SEAL	4	
11	(3G1-W0001-90-00)	GASKT KIT TE XS6 0		
	97013-08060-00	BOLT (663)	4	
12	92990-08200-00	WASHER, PLAIN	4	
13	447-11186-00-00	COVER, CYLINDER.HEAD 2	3	
14	93210-62451-00	O-RING	3	
15	90116-06017-00	BOLT, STUD	3	M6-26L
16	90116-06238-00	BOLT, STUD	6	
17	92990-06600-00	WASHER, PLATE	9	
18	95303-06800-00	NUT (CROWN)	9	
19	447-11185-00-00	CVR, CYLINDER HD SIDE 1	1	
20	93210-62451-00	O-RING	1	
21	90116-08150-00	BOLT, STUD	4	
22	92901-08600-00	WASHER	4	
23	95303-08800-00	NUT (CROWN) (95301-08800)	4	
24	93210-45150-00	O-RING	2	
25	256-11146-00-00	GASKET, BREAKER CVR	2	
26	256-11157-03-00	COVER, BREAKER 1	2	
27	92990-06200-00	WASHER	2	
28	98503-06014-00	SCREW, PAN HEAD (92502-06016)	2	

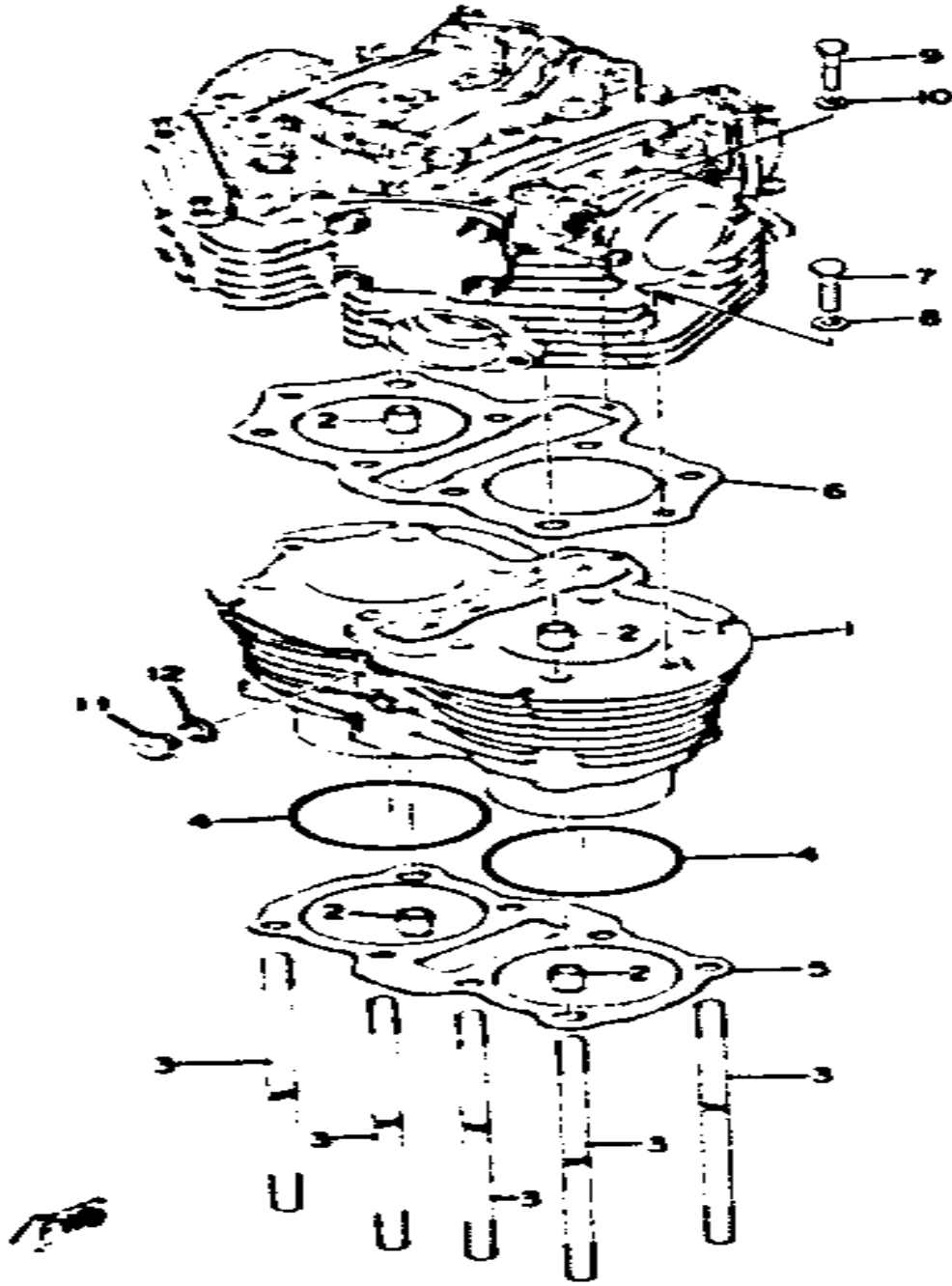
CONTINUED ON NEXT FRAME ➤

# CYLINDER HEAD - CYLINDER HEAD COV

Ref. No.	Part Number	Description	Qty	Remarks
29	92990-06500-00	WASHER	6	
30	98701-06014-00	SCREW, FLAT HEAD	6	
31	256-11158-01-00	COVER, BREAKER 2	2	
32	(3G1-W0001-90-00)	GASKT KIT TE XS6 0		
	98980-06020-00	SCREW, BIND	4	
33	90338-12044-00	PLUG, SPEC'L SHAPE	1	
34	CMP-N7YC0-00-00	CHAMPION N7YC 4PK	2	U.R. CHAMPION
	NGK-BP7ES-00-00	PLUG, SPARK (NGK BP-7ES)	2	
35	584-11108-00-00	BREATHER COVER ASSEMBLY	1	
36	256-11169-01-00	GASKET, BRTHR COVER	1	
37	91316-06060-00	BOLT	4	
38	584-11166-00-00	PIPE, BREATHER 1	2	
39	90501-08046-00	SPRING, COMPRESSION	2	
40	90467-14015-00	CLIP	4	
41	(447-11135-00-00)	PLATE, BREATHER 3	1	

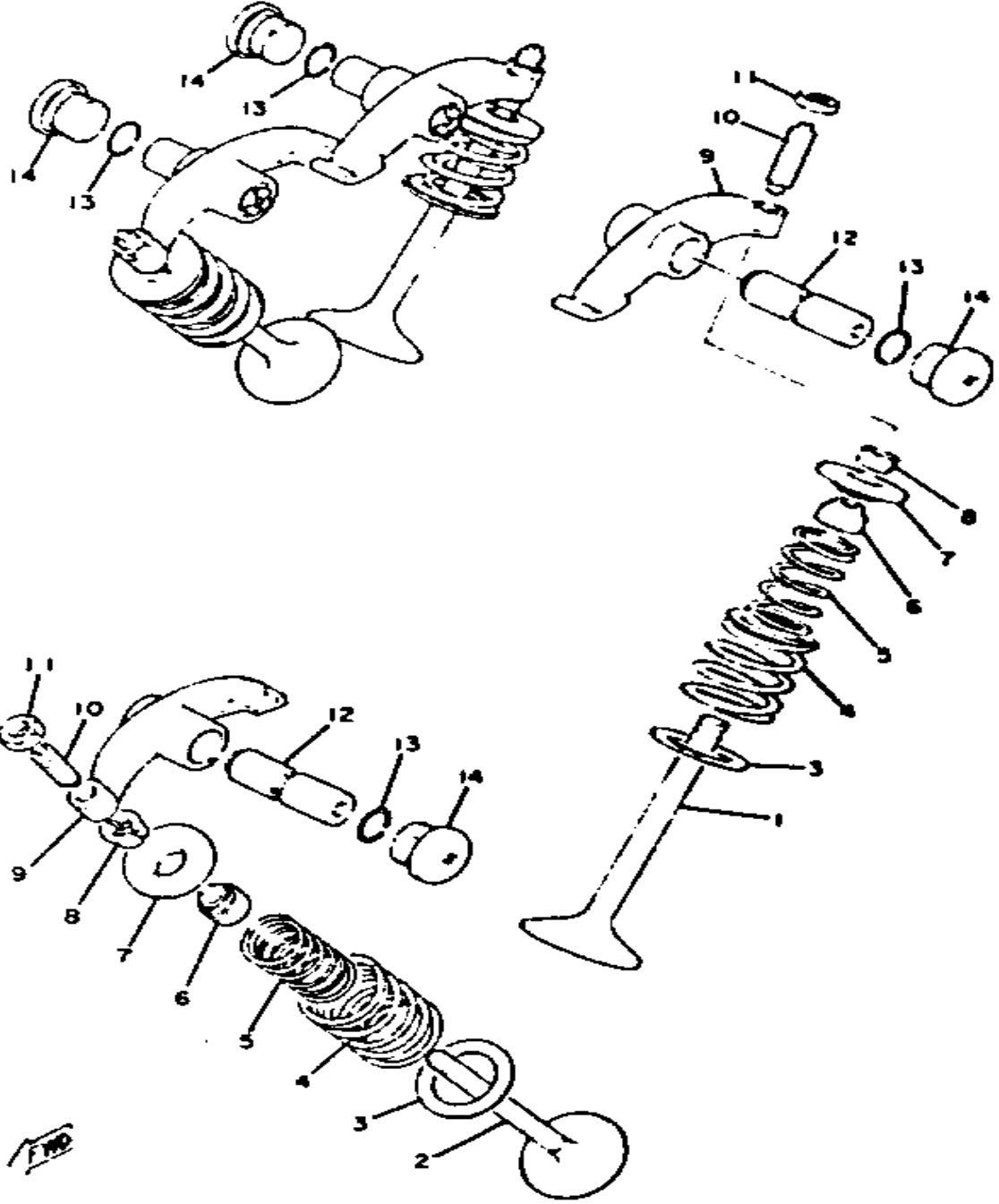


# CYLINDER



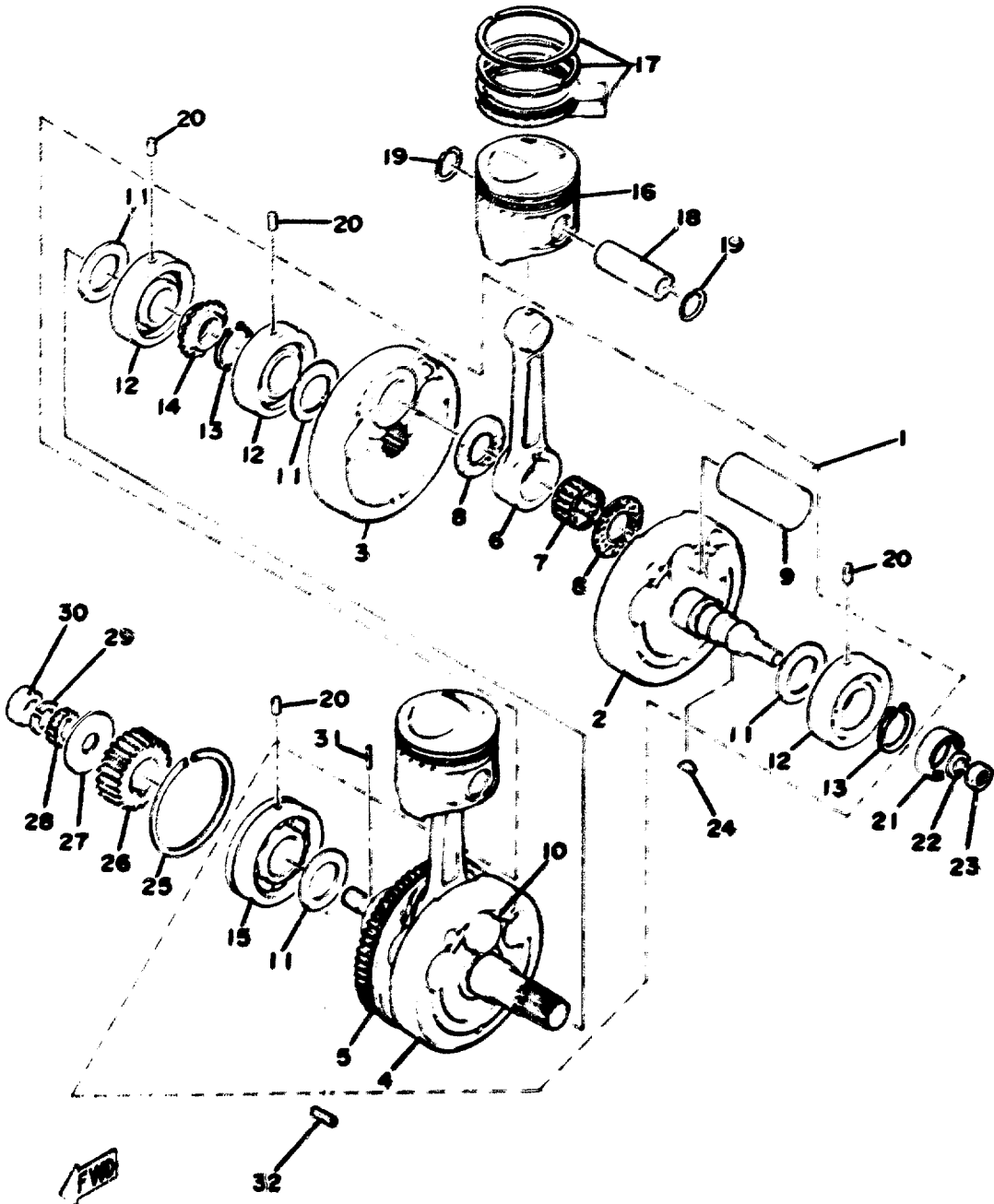
Ref. No.	Part Number	Description	Qty	Remarks
1	(306-11310-01-00)	CYLINDER .....	1	
2	99530-14016-00	PIN, DOWEL .....	4	
3	90116-10108-00	BOLT, STUD .....	8	M10-280L
4	93210-81731-00	O-RING .....	2	
5	256-11351-01-00	GASKET, CYLINDER .....	1	
6	306-11181-09-00	GASKET, CYLH 1 .....	1	
7	97313-08035-00	BOLT, HEXAGON .....	2	
8	92990-08200-00	WASHER, PLAIN .....	2	
9	97013-06035-00	BOLT .....	1	
10	92990-06200-00	WASHER .....	1	
11	256-11395-02-00	HOLDER .....	2	
12	90430-11033-00	GASKET .....	2	

# VALVE - ROCKER ARM



Ref. No.	Part Number	Description	Qty	Remarks
1	341-12111-04-00	VALVE, INTAKE 4	2	
2	341-12121-01-00	VALVE, EXHAUST 1	2	
3	256-12116-01-00	SEAT, VALVE SPRING	4	
4	90501-42286-00	SPRING, COMPRESSION	4	
5	90501-29284-00	SPRING, COMPRESSION	4	
6	341-12119-02-00	SEAL, VALVE STEM	4	
7	256-12117-02-00	RETAINER, VALVE SPR	4	
8	341-12118-00-00	COTTER, VALVE	8	
9	306-12151-00-00	ARM, VALVE ROCKER	4	
10	90149-08098-00	SCREW, SPEC'L SHAPE	4	
11	90170-08173-00	NUT, HEXAGON	4	
12	256-12156-01-00	SHAFT, ROCKER	4	
13	93210-17143-00	O-RING	4	
14	90340-18017-00	PLUG, STRAIGHT SCRW	4	

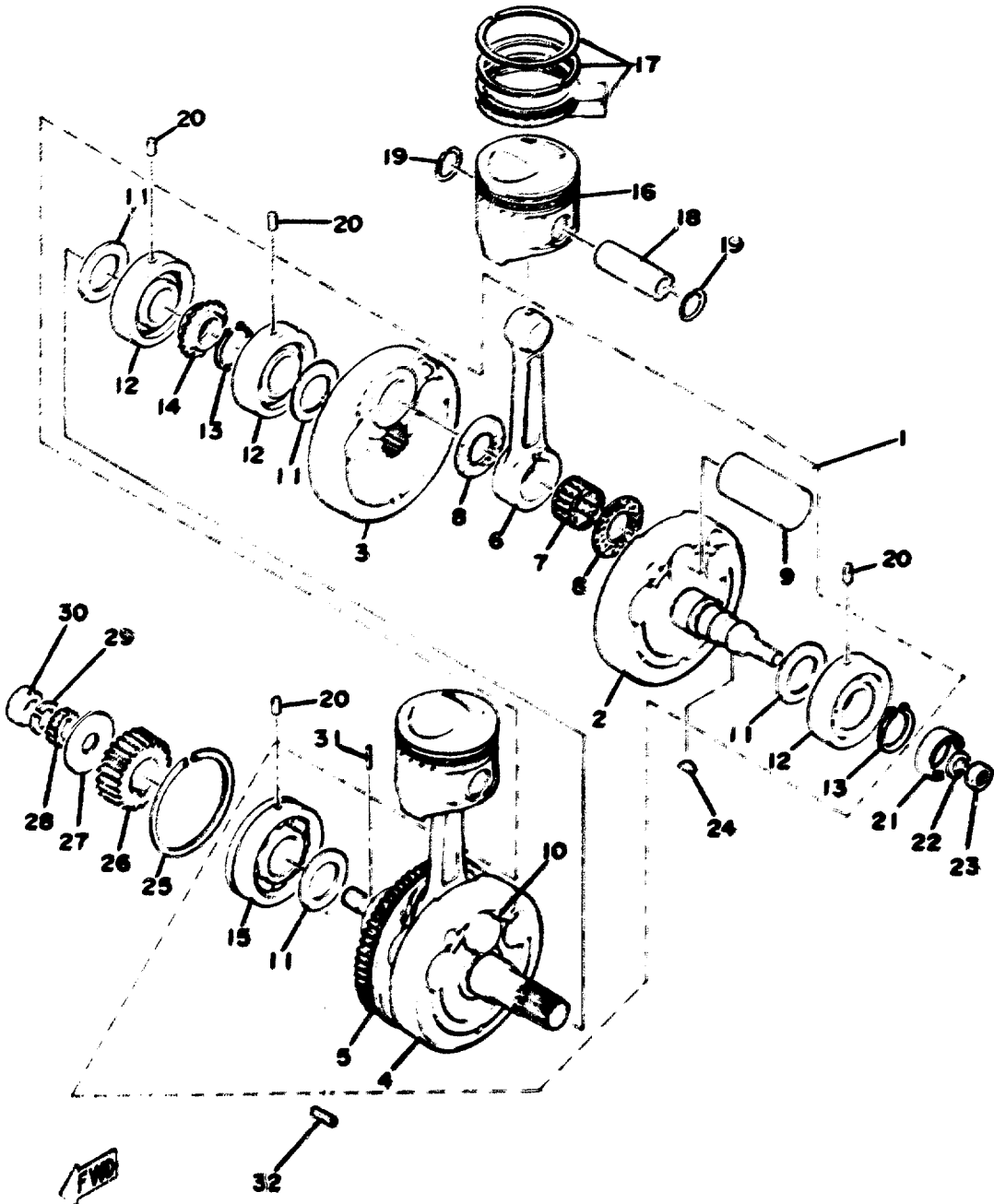
# CRANK-PISTON



Ref. No.	Part Number	Description	Qty	Remarks
1	447-11400-01-00	CRANKSHAFT ASSEMBLY . . .	1	
2	(256-11412-01-00)	CRANK 1 . . . . .	1	
3	(256-11422-01-00)	CRANK 2 . . . . .	1	
4	(256-11432-02-00)	CRANK 3 . . . . .	1	
5	(306-11442-03-00)	CRANK 4 . . . . .	1	
6	447-11651-00-00	. ROD, CONNECTING . . . . .	2	
7	93310-62660-00	. BEARING, CYLINDER.# 0 . . .	2	
8	90209-26014-00	. WASHER, SPEC'L SHAP . . .	4	
9	306-11681-00-00	. PIN, CRANK 1 . . . . .	1	
11	256-11561-00-00	. SHIM, CRANK 1 . . . . .	4	
12	93390-00003-00	. BEARING, CYLINDER. # 0 . . .	3	
13	93410-32052-00	. CIRCLIP . . . . .	2	
14	447-11549-01-00	. SPROCKET, CAM CHAIN . . . .	1	
15	93306-30604-00	. BEARING . . . . .	1	
16	447-11631-01-96	PISTON STD (447-11631-01-97)	2	
	447-11635-01-00	PISTON 1 O/S 0.5 . . . . .	2	ALTERNATE PART
	447-11636-01-00	PISTON 2 O/S 0.0 . . . . .	2	ALTERNATE PART
	447-11637-01-00	PISTON 3 O/S 0.5 . . . . .	2	ALTERNATE PART
	447-11638-01-00	PISTON 4 O/S 1.0 . . . . .	2	ALTERNATE PART
17	447-11610-00-00	PISTON RINGSET STD . . . . .	2	
	447-11610-10-00	PISTON RINGSET 1ST . . . . .	2	ALTERNATE PART
	447-11610-20-00	PISTON RINGSET 2ND . . . . .	2	ALTERNATE PART
	447-11610-30-00	PISTON RINGSET 3RD . . . . .	2	ALTERNATE PART
	447-11610-40-00	PISTON RINGSET 4TH . . . . .	2	ALTERNATE PART
18	447-11633-00-00	PIN, PISTON . . . . .	2	
19	93450-22027-00	CIRCLIP . . . . .	4	
20	93605-12069-00	PIN, DOWEL . . . . .	4	
21	93102-25121-00	OIL SEAL, SD-TYPE . . . . .	1	
22	92901-12100-00	WASHER, SPRING . . . . .	1	

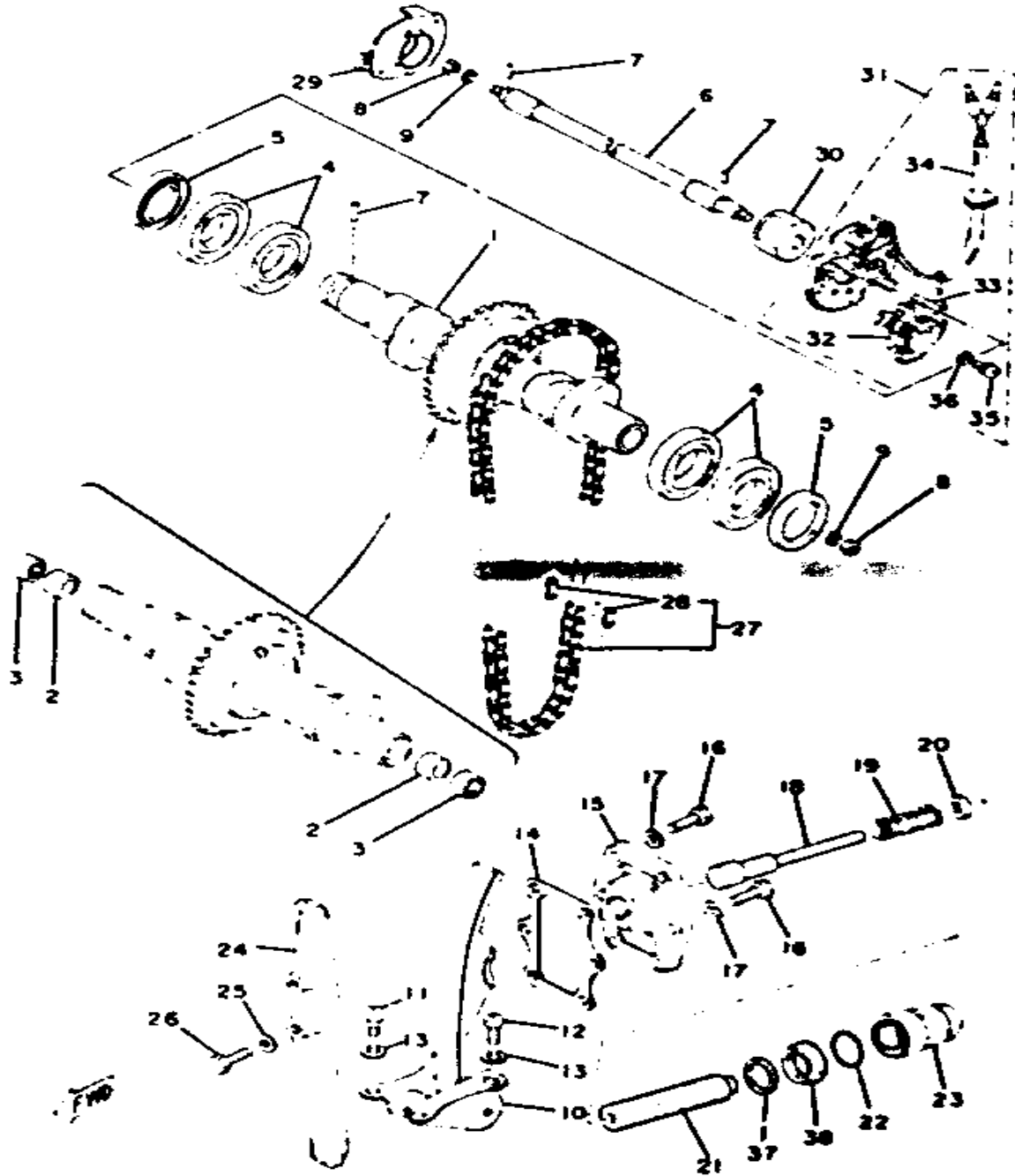
CONTINUED ON NEXT FRAME ➤

# CRANK-PISTON



Ref. No.	Part Number	Description	Qty	Remarks
23	90170-12064-00	NUT, HEXAGON .....	1	
24	90280-04005-00	KEY, WOODRUFF .....	1	
25	93440-78011-00	CIRCLIP, OUTER .....	1	
26	(256-16111-00-00)	GEAR, PRI DRIVE .....	1	
27	90201-16579-00	WASHER, PLATE .....	1	
28	(256-13324-01-00)	GEAR, PUMP DRIVE .....	1	
29	92901-14100-00	WASHER, SPRING .....	1	
30	90170-14076-00	NUT, HEXAGON .....	1	
31	93603-17070-00	PIN, DOWEL .....	1	
32	90282-07023-00	KEY, STRAIGHT .....	1	

# CAMSHAFT - CHAIN TENSIONER

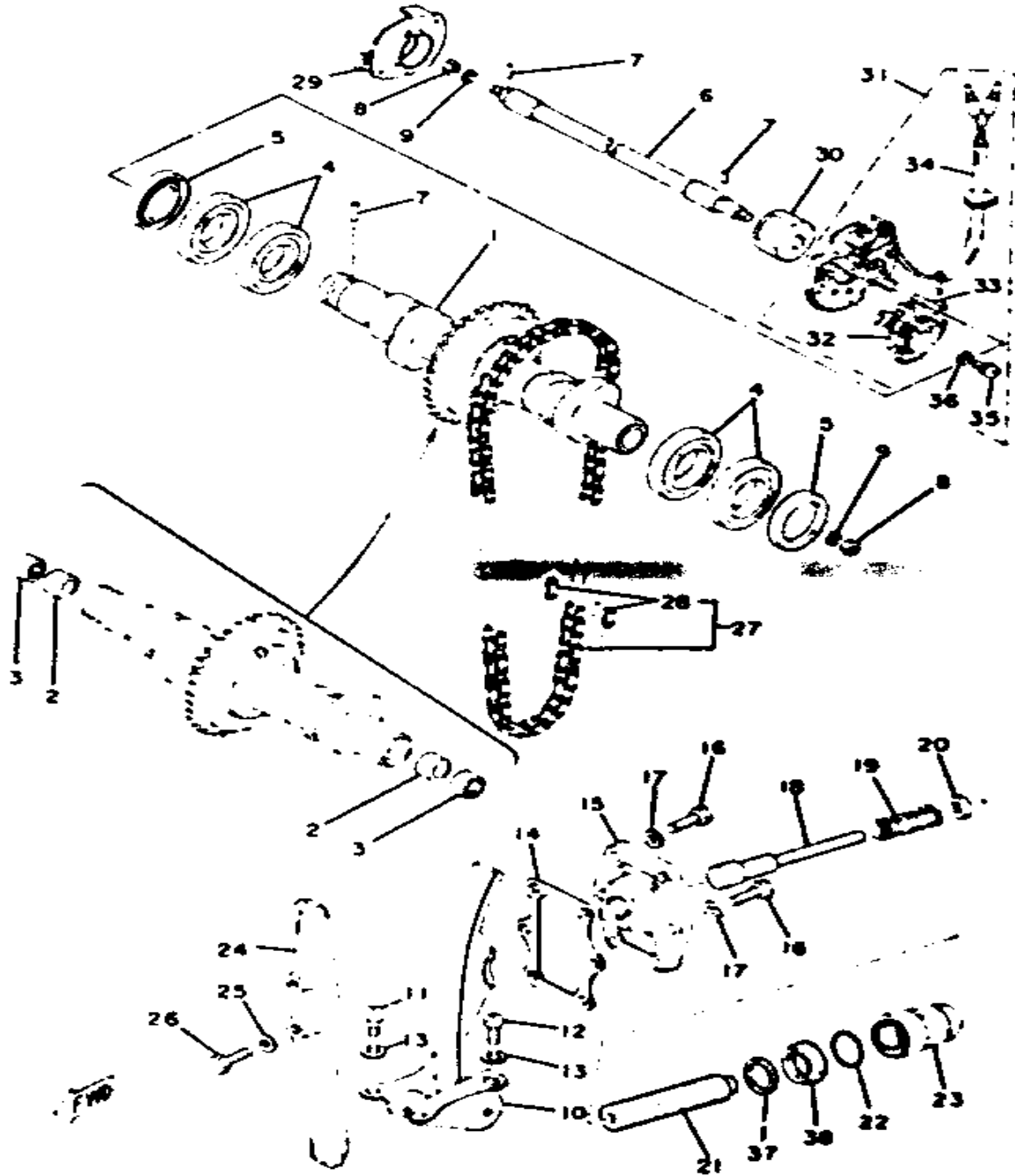


Ref. No.	Part Number	Description	Qty	Remarks
1	447-12170-00-00	CAMSHAFT ASSEMBLY 1	1	
2	90386-12093-00	. BUSH	2	
3	256-11155-00-00	. SEAL, LABYRINTH	2	
4	93316-00503-00	BEARING, CYLINDER.#16 (93316-00504)	4	
5	93101-25044-00	OIL SEAL, S-TYPE	2	
6	256-11156-00-00	SHAFT, BREAKER	1	
7	93603-07073-00	PIN, DOWEL	3	
8	95380-06600-00	NUT	2	
9	92995-06100-00	WASHER, SPRING	2	
10	(1J7-28121-00-00)	. UNAVAILABLE IN PRICE BOOK	1	TUNE-UP KIT/A
	256-81621-11-00	. CONTACT BRKR ASSEMBLY	2	TUNE-UP KIT
	256-81625-10-00	. CONDENSER 1	1	TUNE-UP KIT
	447-12220-00-00	GUIDE, STOPPER 2	1	
	ACC-01100-37-11	TUNEKIT XS650CDESE		TUNE-UP KIT
	NGK-BP7ES-00-00	. PLUG, SPARK (NGK BP-7ES)	2	
11	90149-06009-00	SCREW, SPEC'L SHAPE	2	
12	98503-06014-00	SCREW, PAN HEAD (92502-06016)	2	
13	92995-06100-00	WASHER, SPRING	4	
14	306-12213-02-00	GASKET, TENSNR CASE	1	
15	584-12211-00-00	HOLDER, TENSIONER	1	
16	97023-06020-00	BOLT (3XF)	6	
17	92990-06200-00	WASHER	6	
18	341-12217-04-00	ROD, CHN TENSIONER	1	
19	90501-14095-00	SPRING, COMPRESSION	1	
20	(99999-01144-00)	BOLT (3G1)	1	
	2H0-12232-00-00	. DAMPER	1	
	341-12232-01-00	DAMPER	1	

CONTINUED ON NEXT FRAME ►

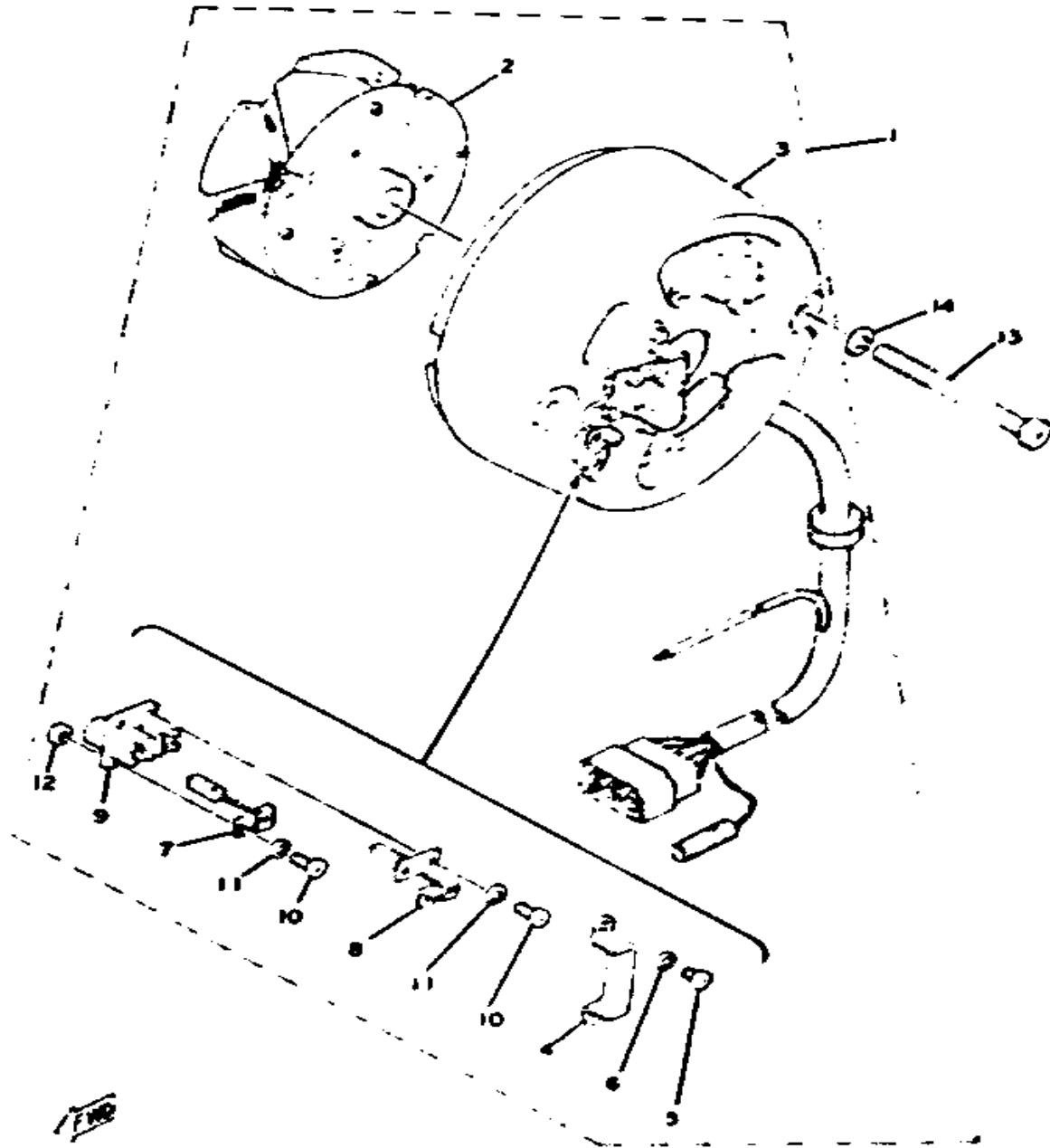


# CAMSHAFT - CHAIN TENSIONER



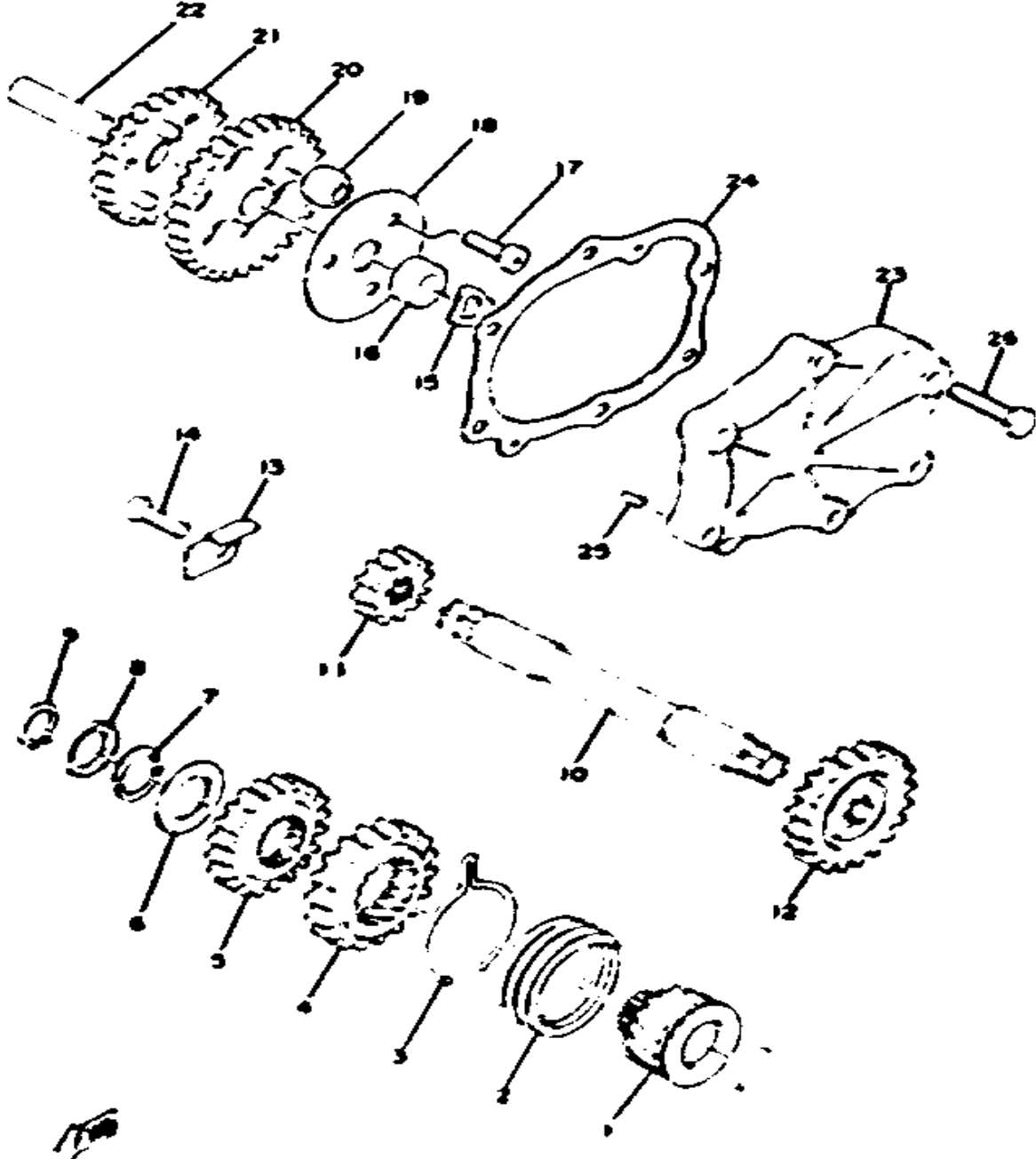
Ref. No.	Part Number	Description	Qty	Remarks
20	90109-18580-00	. BOLT	1	
22	93210-21190-00	O-RING	1	
23	90176-18021-00	NUT, CROWN	1	
24	256-12231-01-00	GUIDE, STOPPER 1	1	
25	90430-06014-00	GASKET	2	
26	97023-06020-00	BOLT (3XF)	2	
27	94500-02106-00	CHAIN	1	U.R.
	94562-19106-00	CHAIN	1	U.R.
28	(1J7-28121-00-00)	. UNAVAILABLE IN PRICE BOOK	1	TUNE-UP KITN/A
	256-81621-11-00	. CONTACT BRKR ASSEMBLY	2	TUNE-UP KIT
	256-81625-10-00	. CONDENSER 1	1	TUNE-UP KIT
	94600-02001-00	. JOINT, CHAIN (BF05M)	1	U.R.
	94662-19001-00	. JOINT CHAIN	1	U.R.
	ACC-01100-37-11	TUNEKIT XS650CDESE		TUNE-UP KIT
	NGK-BP7ES-00-00	. PLUG, SPARK (NGK BP-7ES)	2	
29	256-81653-10-00	GOVERNOR ASSEMBLY	1	
30	256-81651-10-00	CAM	1	
31	447-81620-10-00	BREAKER PLATE ASSEMBLY	1	
32	256-81621-11-00	. CONTACT BRKR ASSEMBLY	2	
33	256-81631-10-00	. LUBRICATOR	2	
34	256-81615-10-00	. WIRE, LEAD	1	
35	97601-04106-00	. SCREW, PN/HD.W/WSHR	6	
36	92990-04200-00	. WASHER, PLAIN	6	
37	90430-18130-00	GASKET	1	
38	90179-18274-00	NUT, SPEC'L SHAPE	1	

# A - C - GENERATOR



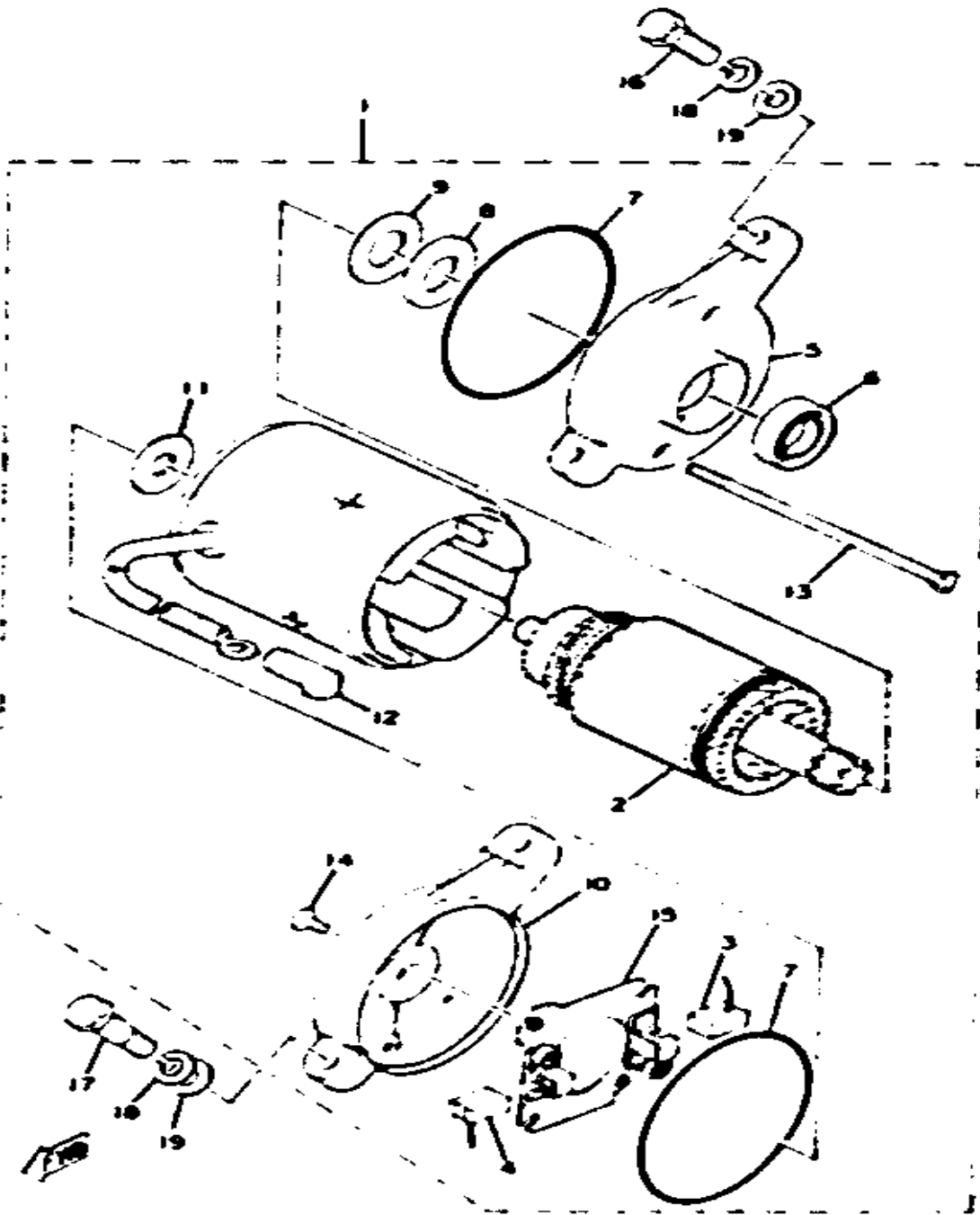
Ref. No.	Part Number	Description	Qty	Remarks
1	306-81600-14-00	AC GENERATOR ASSEMBLY .	1	
2	256-81650-11-00	. ROTOR ASSEMBLY .....	1	
3	306-81610-12-00	. STATOR ASSEMBLY .....	1	
4	(256-81614-10-00)	PROTECTOR .....	1	
5	98580-04008-00	.. SCREW, PAN HEAD .....	2	
6	92901-04100-00	.. WASHER, SPRING .....	2	
7	256-81611-11-00	.. BRUSH 1 .....	1	
8	256-81612-11-00	.. BRUSH 2 .....	1	
9	256-81613-10-00	.. HOLDER, BRUSH .....	1	
10	98511-04012-00	.. SCREW, PAN HEAD .....	4	
11	92901-04100-00	.. WASHER, SPRING .....	4	
12	95301-04600-00	.. NUT .....	1	
13	98501-06075-00	SCREW, PAN HEAD .....	2	
14	92995-06100-00	WASHER, SPRING .....	2	

# STARTING MOTOR UNIT



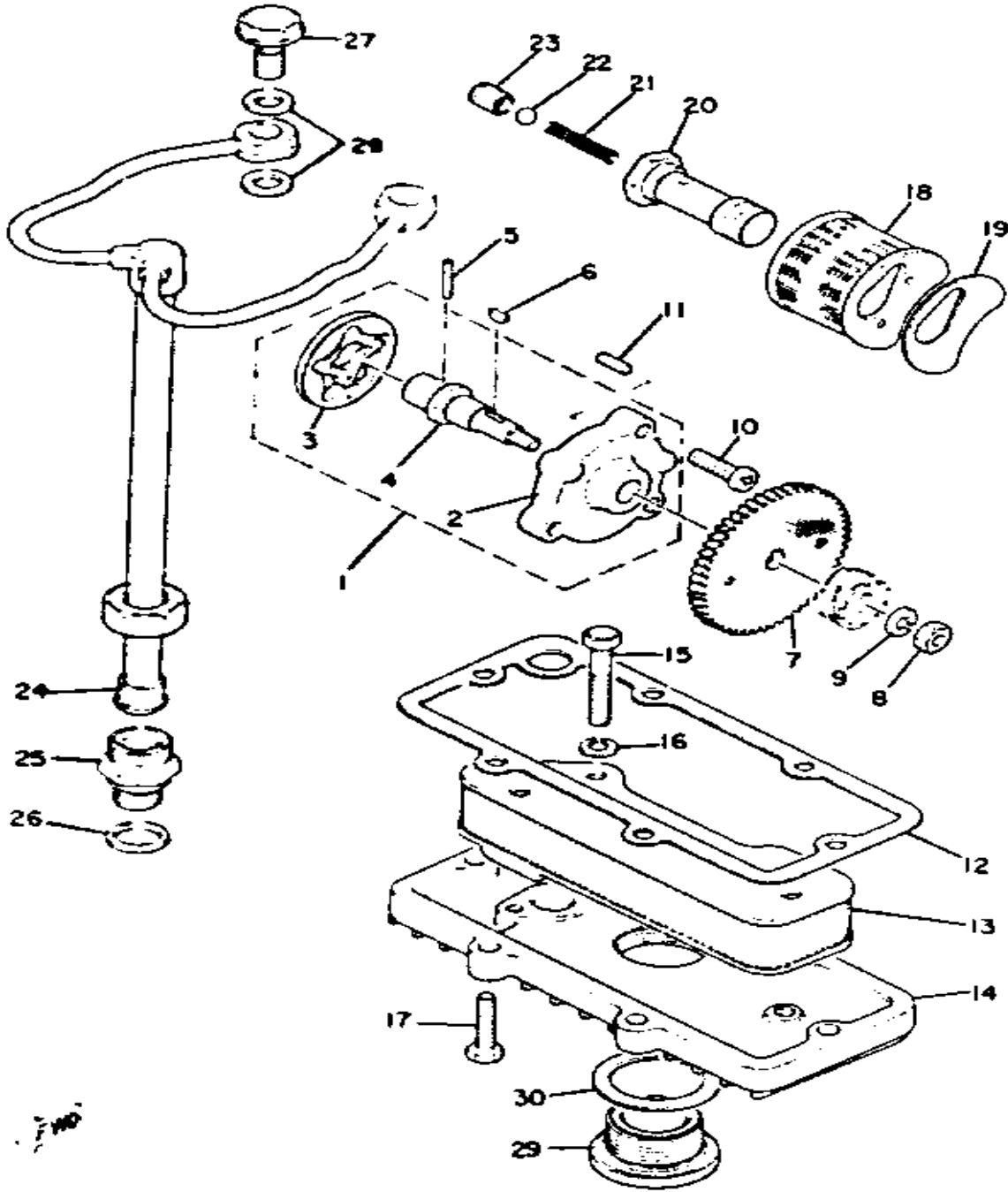
Ref. No.	Part Number	Description	Qty	Remarks
1	306-Y1554-00-00	WHEEL STARTER .....	1	
2	90501-15409-00	SPRING, COMPRESSION .....	1	
3	90468-29062-00	CLIP .....	1	
4	447-15516-00-00	GEAR 4 .....	1	
5	306-15515-00-00	GEAR 3 .....	1	
6	90201-17257-00	WASHER, PLATE .....	1	
7	306-15562-00-00	CLIP .....	2	
8	306-15563-00-00	HOLDER, CLIP .....	1	
9	99009-17400-00	CIRCLIP .....	1	
10	306-15522-00-00	SHAFT 2 .....	1	
11	306-15514-00-00	GEAR 2 .....	1	
12	306-15513-00-00	GEAR 1 .....	1	
13	447-15531-00-00	PLATE, STOPPER .....	1	
14	98580-06020-00	SCREW .....		1
15	90206-12074-00	WASHER, WAVE .....	1	
16	90387-12093-00	COLLAR .....	1	
17	98580-06018-00	SCREW, PAN HEAD .....	3	
18	306-15532-00-00	PLATE, IDLE GEAR .....	1	
19	306-15571-00-00	ABSORBER .....	6	
20	(306-15512-00-00)	GEAR, IDLER 1 .....	1	
21	306-15517-00-00	GEAR, IDLER 2 .....	1	
22	1AE-15521-00-00	SHAFT 1 .....	1	
23	(306-15431-00-00)	COVER, CRANKCASE 3 .....	1	
24	306-15452-00-00	GASKET, GR CRNK CVR .....	1	
25	93604-08071-00	PIN, DOWEL .....	2	
26	97011-06025-00	BOLT (97001-06025) .....	6	

# STARTING MOTOR



Ref. No.	Part Number	Description	Qty	Remarks
1	306-81800-12-00	STARTING MOTOR ASSEMBLY	1	
2	(306-81850-11-00)	ARMATURE ASSEMBLY	1	
3	306-81811-10-00	. BRUSH 1	1	
4	306-81812-10-00	. BRUSH 2	1	
5	(306-81825-10-00)	WASHER, INSULATOR	1	
6	93101-17047-00	. OIL SEAL, S-TYPE	1	
7	306-81827-10-00	. PIECE, FRICTION	2	
8	(306-81893-10-00)	WASHER, SPECIAL	1	
9	306-81828-10-00	. SHIM, WASHER	1	
10	(306-81826-10-00)	BOLT	1	
11	(306-81829-10-00)	GROMMET	2	
12	306-81862-10-00	. CAP	1	
13	306-81823-10-00	. STAY, STARTING MTR	2	
14	98701-04010-00	. SCREW, FLAT HEAD	2	
15	306-81840-10-00	. BRUSH HOLDER ASSEMBLY	1	
16	97313-08035-00	BOLT, HEXAGON	2	
17	(90109-08393-00)	BOLT	2	
18	92990-08100-00	WASHER	4	
19	92990-08200-00	WASHER, PLAIN	4	

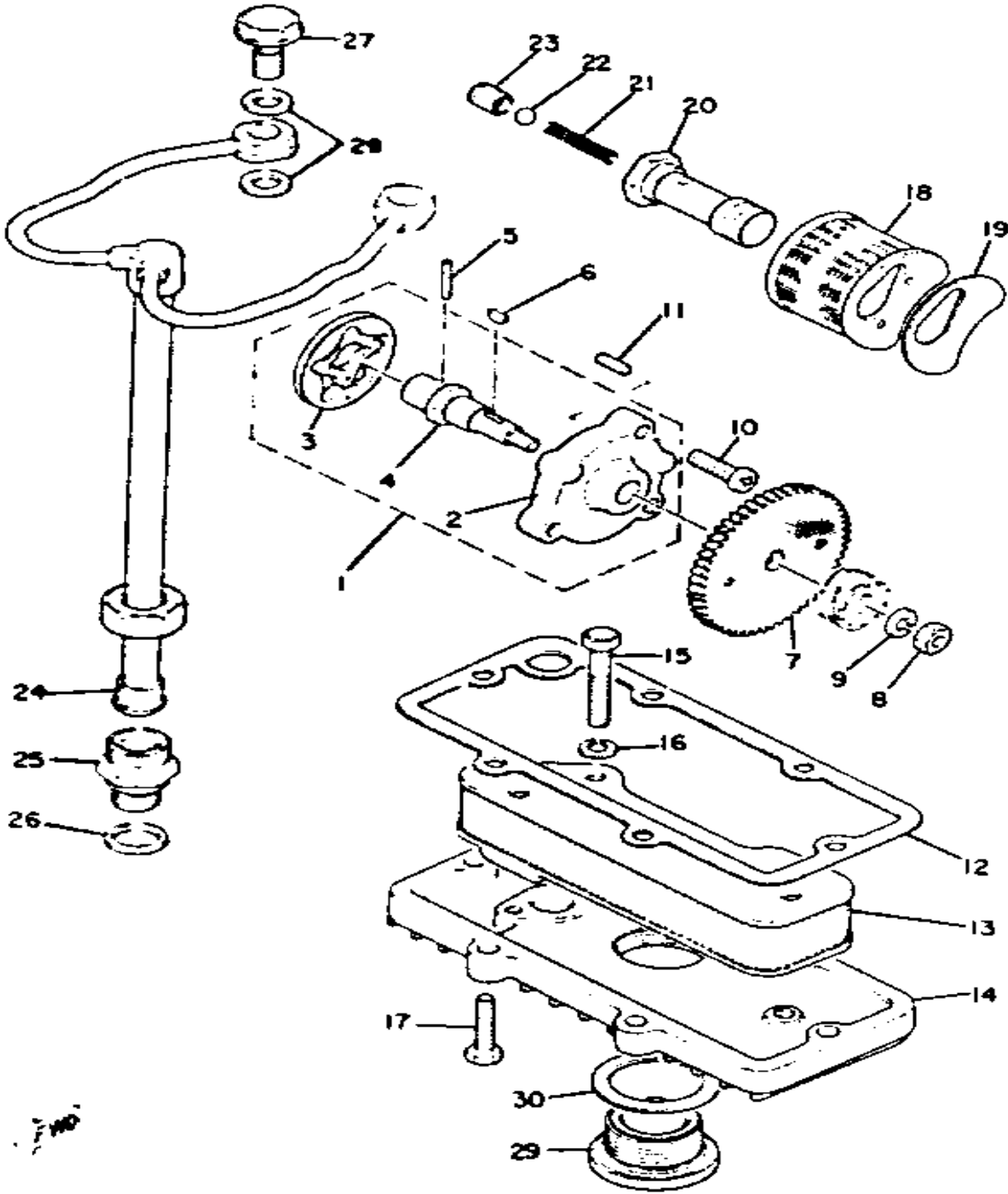
# OIL PUMP



Ref. No.	Part Number	Description	Qty	Remarks
1	256-00001-01-00	COVER, PUMP	1	
2	256-13316-02-00	. COVER, PUMP	1	
3	256-13310-02-00	. ROTOR ASSEMBLY 1	1	
4	256-13314-02-00	. SHAFT, PUMP	1	
5	93603-17070-00	PIN, DOWEL	1	
6	90280-03023-00	KEY, WOODRUFF	1	
7	256-13325-00-00	GEAR, PUMP DRIVEN	1	
8	95380-06600-00	NUT	1	
9	92995-06100-00	WASHER, SPRING	1	
10	98580-06020-00	SCREW	3	
11	93604-12037-00	PIN, DOWEL	2	
12	256-13414-00-00	GASKET, STRNR COVER	1	
13	256-13411-01-00	STRAINER, OIL	1	
14	256-13417-00-00	COVER, STRAINER	1	
15	97313-06045-00	BOLT (97021-06045-00)	3	
16	92995-06100-00	WASHER, SPRING	3	
17	97011-06025-00	BOLT (97001-06025)	6	
18	256-13441-00-00	ELEMENT, OIL CLNR	1	
19	256-13445-00-00	GASKET, ELEMENT	1	
20	256-13495-00-00	SCREW	1	
21	90501-07031-00	SPRING, COMPRESSION	1	
22	93501-04011-00	BALL	1	
23	90149-10019-00	SCREW, SPEC'L SHAPE	1	
24	256-13161-01-00	PIPE, DELIVERY 1	1	
25	256-13165-02-00	BOLT, BANJO	1	
26	90430-14043-00	GASKET	1	
27	90401-10004-00	BOLT, UNION	2	
28	90430-10171-00	GASKET	4	
29	256-15351-00-00	PLUG, DRAIN	1	

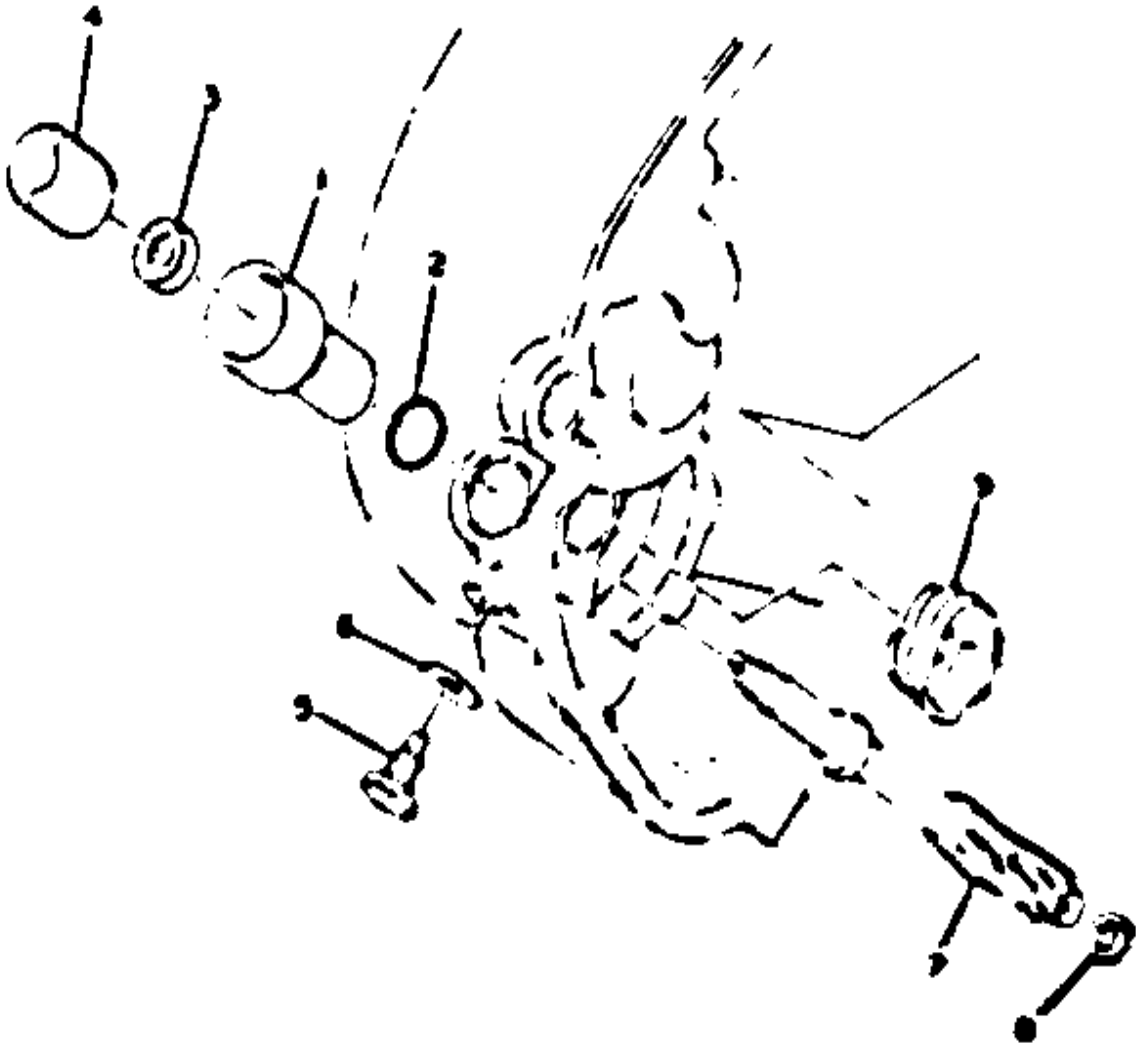
CONTINUED ON NEXT FRAME ➤

# OIL PUMP



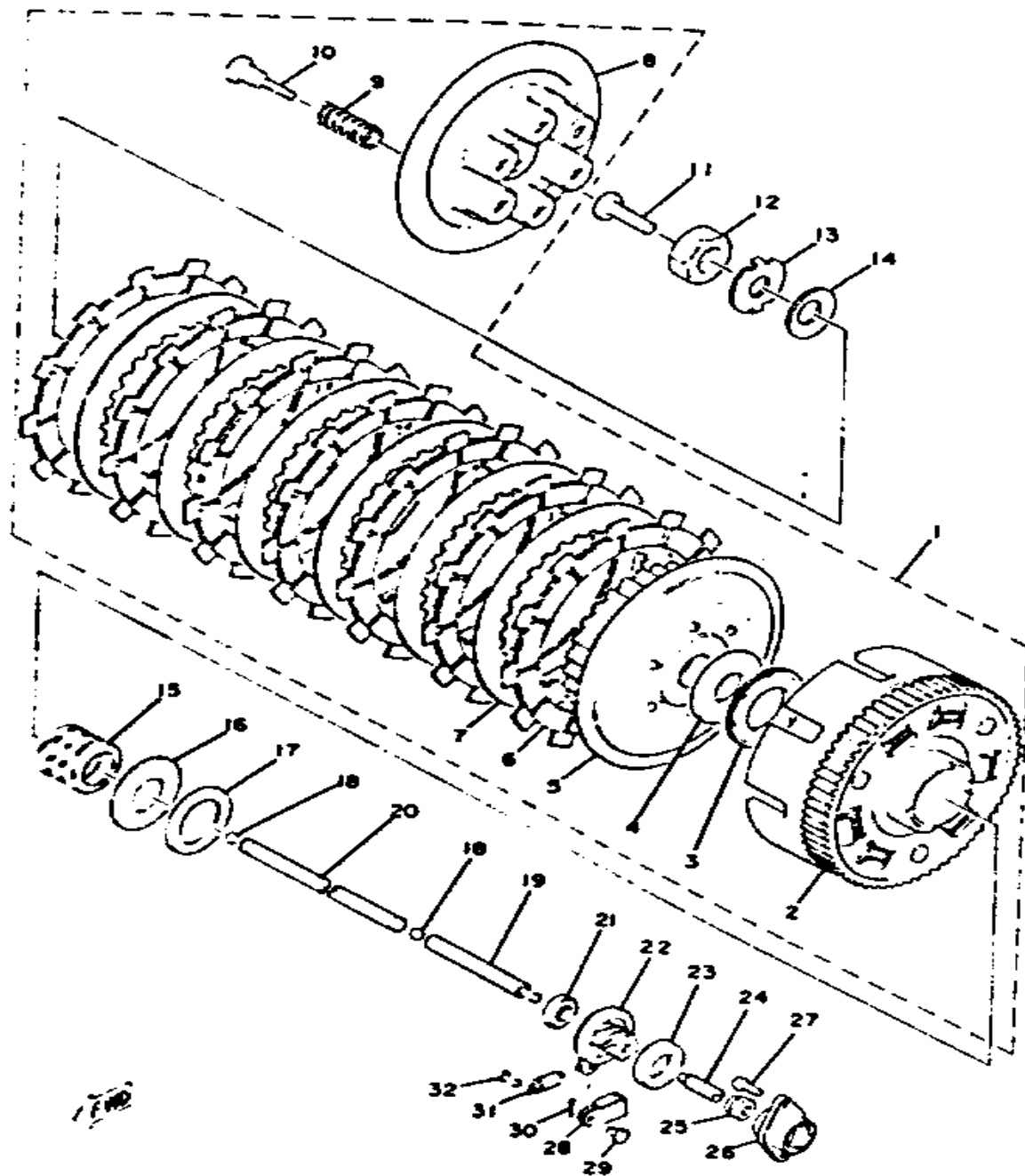
Ref. No.	Part Number	Description	Qty	Remarks
30	256-15353-00-00	GASKET, DRAIN .....	1	

# TACHOMETER GEAR



Ref. No.	Part Number	Description	Qty	Remarks
1	256-17811-01-00	HOUSING, TACH GEAR .....	1	
2	93210-11313-00	O-RING .....	1	
3	93104-07036-00	OIL SEAL, SO-TYPE .....	1	
4	256-17848-00-00	ADAPTER .....	1	
5	90109-06076-00	BOLT .....	1	
6	90430-06014-00	GASKET .....	1	
7	256-17841-01-00	GEAR, DRIVEN .....	1	
8	90201-08624-00	WASHER, PLATE .....	1	
9	256-17831-00-00	GEAR, DRIVE .....	1	

# CLUTCH

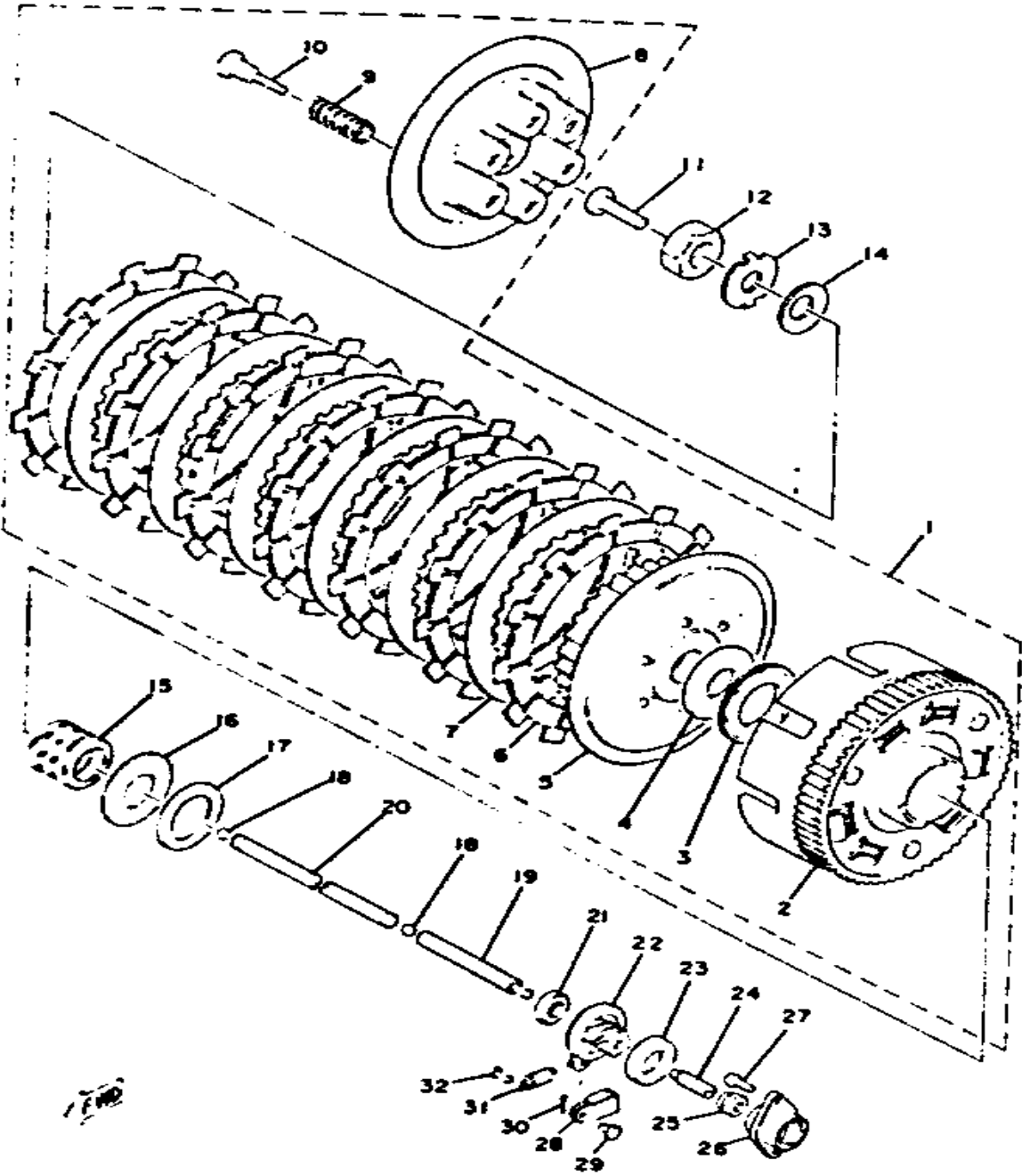


Ref. No.	Part Number	Description	Qty	Remarks
1	(447-16301-02-00)	CLUTCH ASSEMBLY	1	
2	(256-16150-02-00)	PRI DRVN GEAR	1	
3	93341-23504-00	. BEARING, FLAT # 1	1	
4	170-16164-00-00	. PLATE, THRUST 2	1	
5	(341-16371-02-00)	BOSS, CLUTCH	1	
6	341-16321-13-00	. PLATE, FRICTION	7	
7	341-16325-01-00	. PLATE, CLUTCH 2	6	
8	341-16351-01-00	. PLATE, PRESSURE 1	1	
9	90501-26148-00	. SPRING, COMPRESSION	6	
10	90149-06102-00	. SCREW, SPEC'L SHAPE	6	
11	256-16356-00-00	ROD, PUSH 1	1	
12	90170-18221-00	NUT	1	
13	90215-19139-00	WASHER, LOCK	1	
14	90208-18025-00	WASHER, CONICAL SPRING	1	
15	90560-25131-00	SPACER	1	
16	170-16164-00-00	PLATE, THRUST 2	1	
17	90201-256K6-00	WASHER, PLATE (0.9T)	1	
18	93505-16006-00	BALL	2	
19	447-16357-01-00	ROD, PUSH 2	1	
20	341-16376-00-00	ROD, PUSH 3	1	
21	93102-08206-00	OIL SEAL, SD-TYPE	1	
22	1T3-16340-00-00	PUSH LEVER ASSEMBLY	1	
23	214-16347-01-00	SEAL, DUST	1	
24	90113-08021-00	BOLT, SET	1	
25	90179-08179-00	NUT	1	
26	371-16396-00-00	HOUSING, PUSH SCREW	1	
27	98580-05012-00	SCREW, PAN HEAD	2	
28	214-16389-00-00	JOINT	1	
29	90240-06005-00	PIN, CLEVIS	1	

CONTINUED ON NEXT FRAME ►

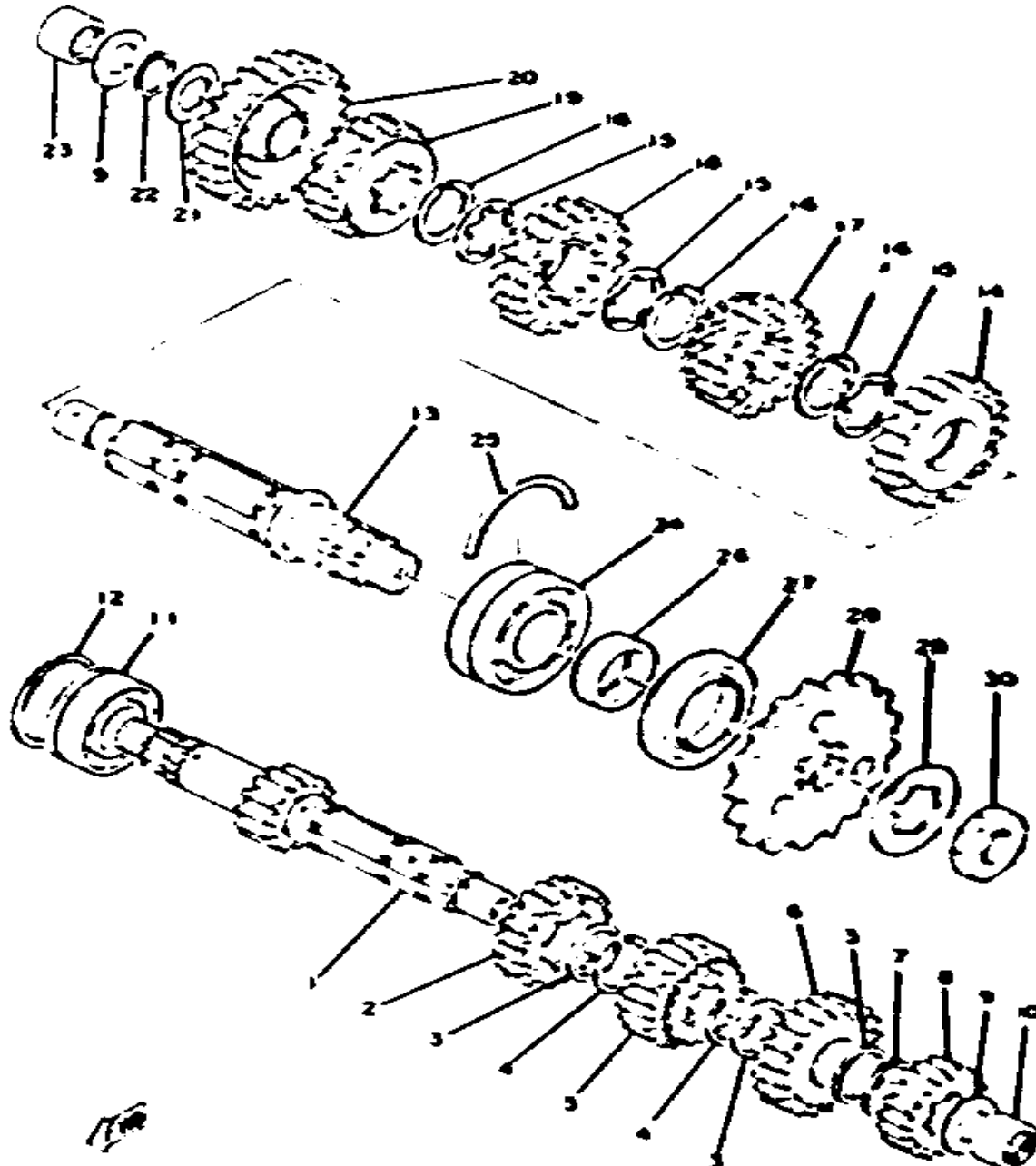


# CLUTCH



Ref. No.	Part Number	Description	Qty	Remarks
30	91401-10015-00	PIN, COTTER .....	1	
31	90506-10023-00	SPRING, TENSION .....	1	
32	132-16346-00-00	HOOK, SPRING .....	1	

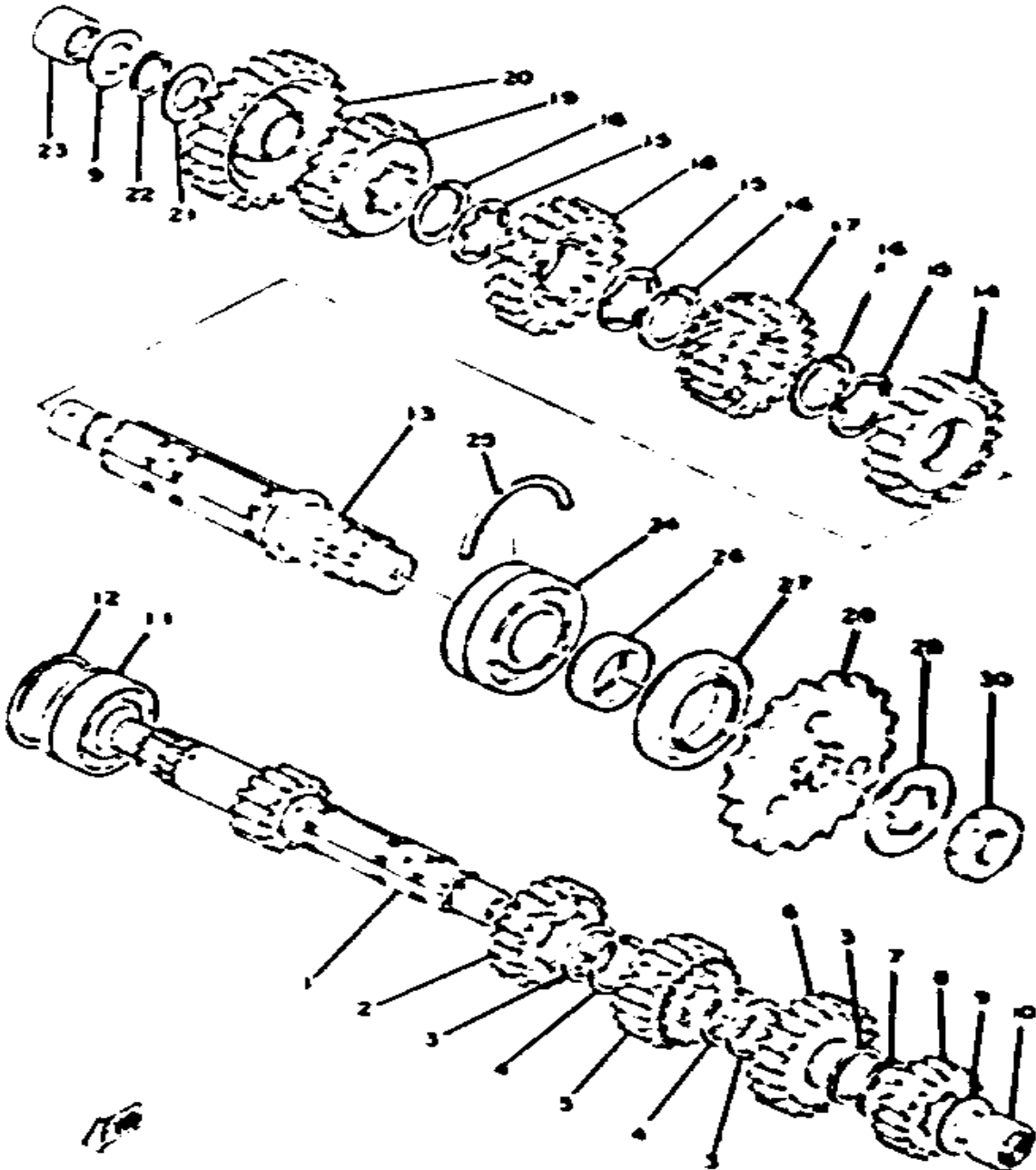
# TRANSMISSION



Ref. No.	Part Number	Description	Qty	Remarks
1	(306-17411-03-00)	AXLE, MAIN	1	
2	256-17141-02-00	GEAR, 4TH PINION	1	
3	90201-253K0-00	WASHER, PLATE (T=1.0)	3	
4	93440-25020-00	CIRCLIP	2	
5	256-17131-04-00	GEAR, 3RD PINION	1	
6	(341-17151-04-00)	GEAR, 5TH PINION	1	
7	93410-25017-00	CIRCLIP	1	
8	256-17121-01-00	GEAR, 2ND PINION	1	
9	(137-17427-00-09)	SHIM 1	2	
10	93313-32007-00	BEARING, CYLINDER.# 3	1	
11	93305-20504-00	BEARING	1	
12	93440-52014-00	CIRCLIP	1	
13	256-17421-02-00	AXLE, DRIVE	1	
14	256-17221-02-00	GEAR, 2ND WHEEL	1	
15	256-17236-00-10	WASHER, GEAR HOLD 3	3	U.R.
	256-17236-00-12	WASHER, GEAR HOLD 3	3	U.R.
16	93440-30015-00	CIRCLIP, OUTER	3	
17	256-17251-04-00	GEAR, 5TH WHEEL	1	
18	256-17231-04-00	GEAR, 3RD WHEEL	1	
19	256-17241-02-00	GEAR, 4TH WHEEL	1	
20	306-17211-00-00	GEAR, 1ST WHEEL	1	
21	90201-20266-00	WASHER, PLATE (1.0T)	1	
22	93410-20021-00	CIRCLIP, S-TYPE	1	
23	93313-32005-00	BEARING, CYLINDER.# 3	1	
24	93305-20603-00	BEARING	1	
25	168-17424-00-00	CIRCLIP 1	1	
26	90387-30200-00	COLLAR	1	
27	93105-40018-00	OIL SEAL, SDD-TYPE	1	
28	93855-17129-00	SPROCKET, DRIVE	1	

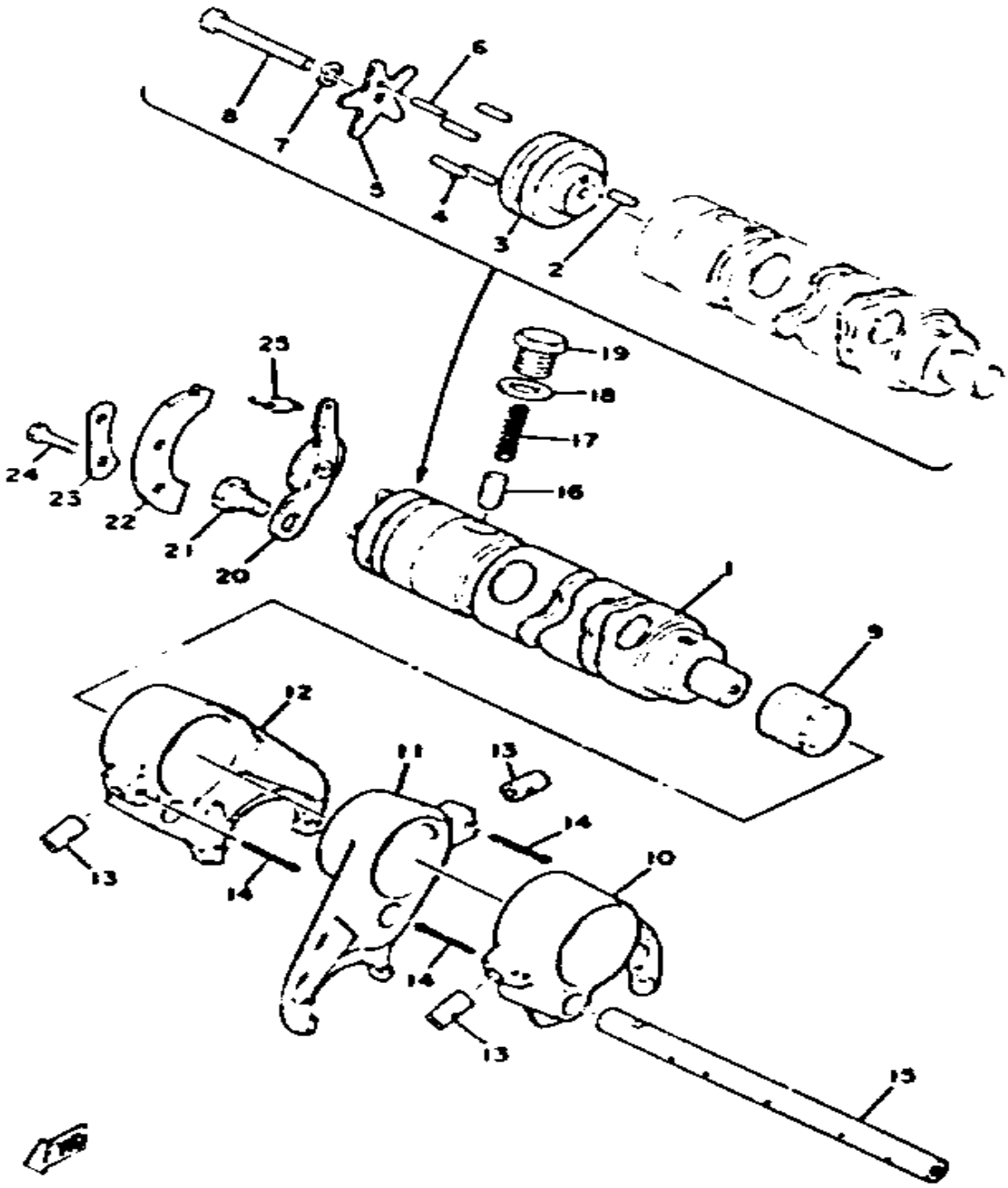
CONTINUED ON NEXT FRAME ►

# TRANSMISSION



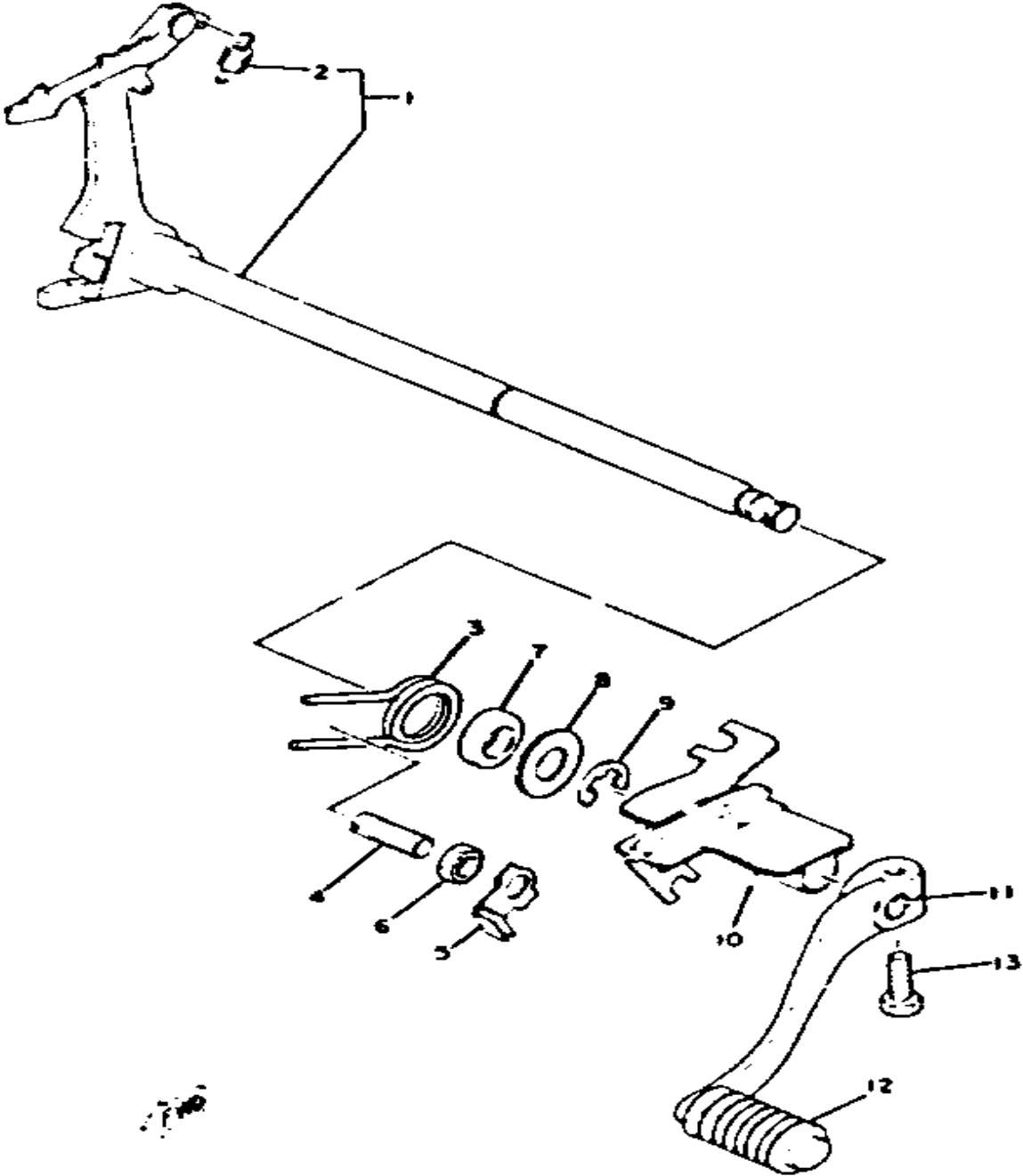
Ref. No.	Part Number	Description	Qty	Remarks
29	90215-26024-00	WASHER, LOCK .....	1	
30	90179-22022-00	NUT, SPEC'L SHAPE .....	1	

# SHIFTER 1



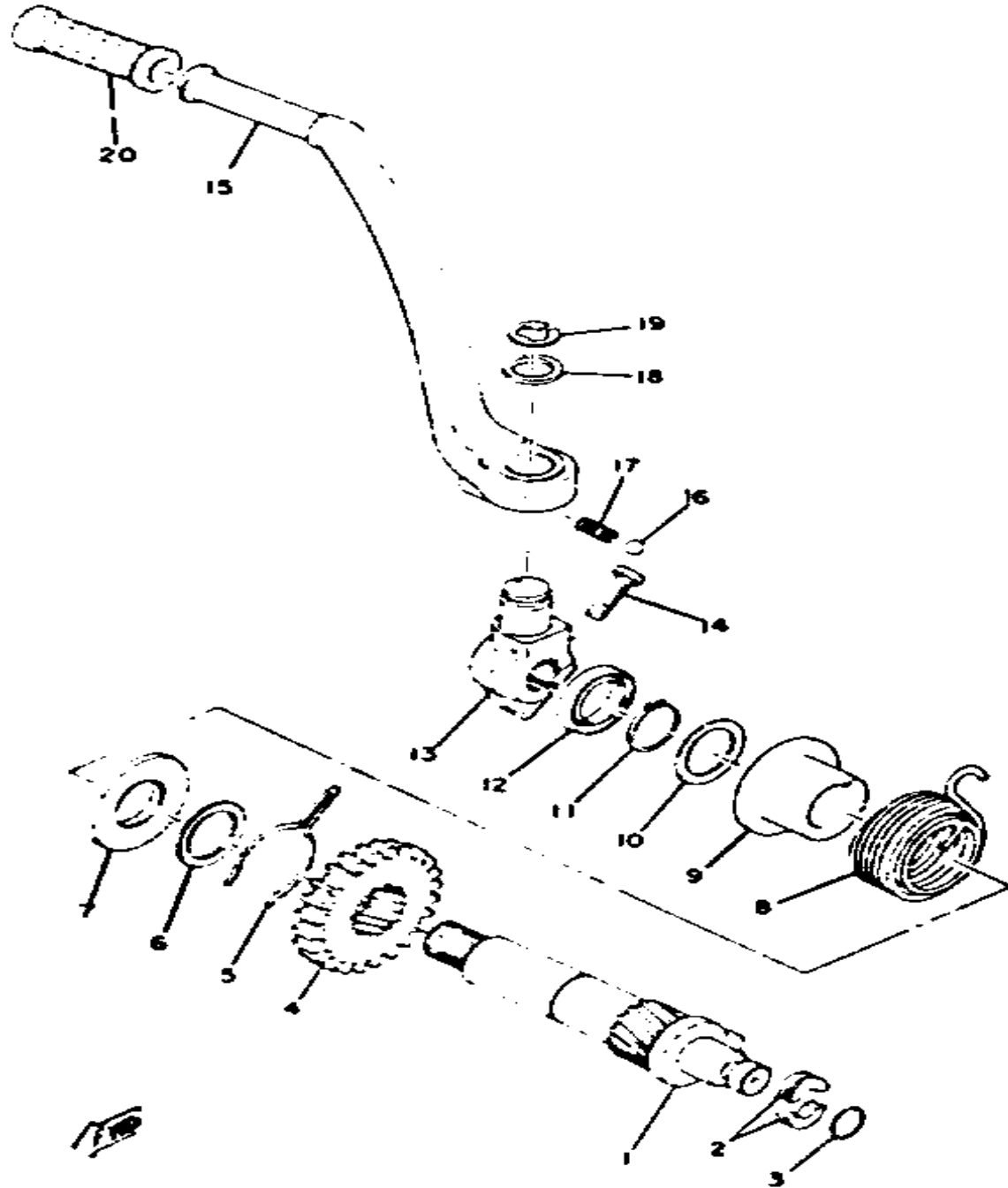
Ref. No.	Part Number	Description	Qty	Remarks
1	306-18540-00-00	SHIFT CAM ASSEMBLY	1	
2	93604-10011-00	. PIN, DOWEL	2	
3	(306-18546-00-00)	CAM, SHIFT 2	1	
4	93604-14012-00	. PIN, DOWEL	4	
5	(168-18561-00-00)	PLATE, SIDE 1	1	
6	93603-14026-00	. PIN, DOWEL	1	
7	92990-05300-00	. WASHER, INTERNAL TOOTH	1	
8	98501-05046-00	. SCREW, PAN HEAD	1	
9	93320-31501-00	BEARING, CYLINDER.# 0	1	
10	256-18511-00-00	FORK, SHIFT 1	1	
11	256-18512-00-00	FORK, SHIFT 2	1	
12	256-18513-00-00	FORK, SHIFT 3	1	
13	90249-08122-00	PIN, SPEC"L SHAPE	3	
14	91401-25030-00	PIN, COTTER	3	
15	256-18531-00-00	BAR, SHIF FRK GDE 1	1	
16	137-18547-00-00	STOPPER, CAM	1	
17	90501-10068-00	SPRING, COMPRESSION	1	
18	90430-16047-00	GASKET	1	
19	90109-16392-00	BOLT	1	
20	341-18140-00-00	STOPPER LEVER ASSEMBLY	1	
21	90109-06181-00	BOLT	1	
22	256-18562-00-00	PLATE, STOPPER 2	1	
23	256-18565-00-00	PLATE, LOCK SCREW	1	
24	90101-06091-00	BOLT	2	
25	90506-10022-00	SPRING, TENSION	1	

# SHIFTER 2



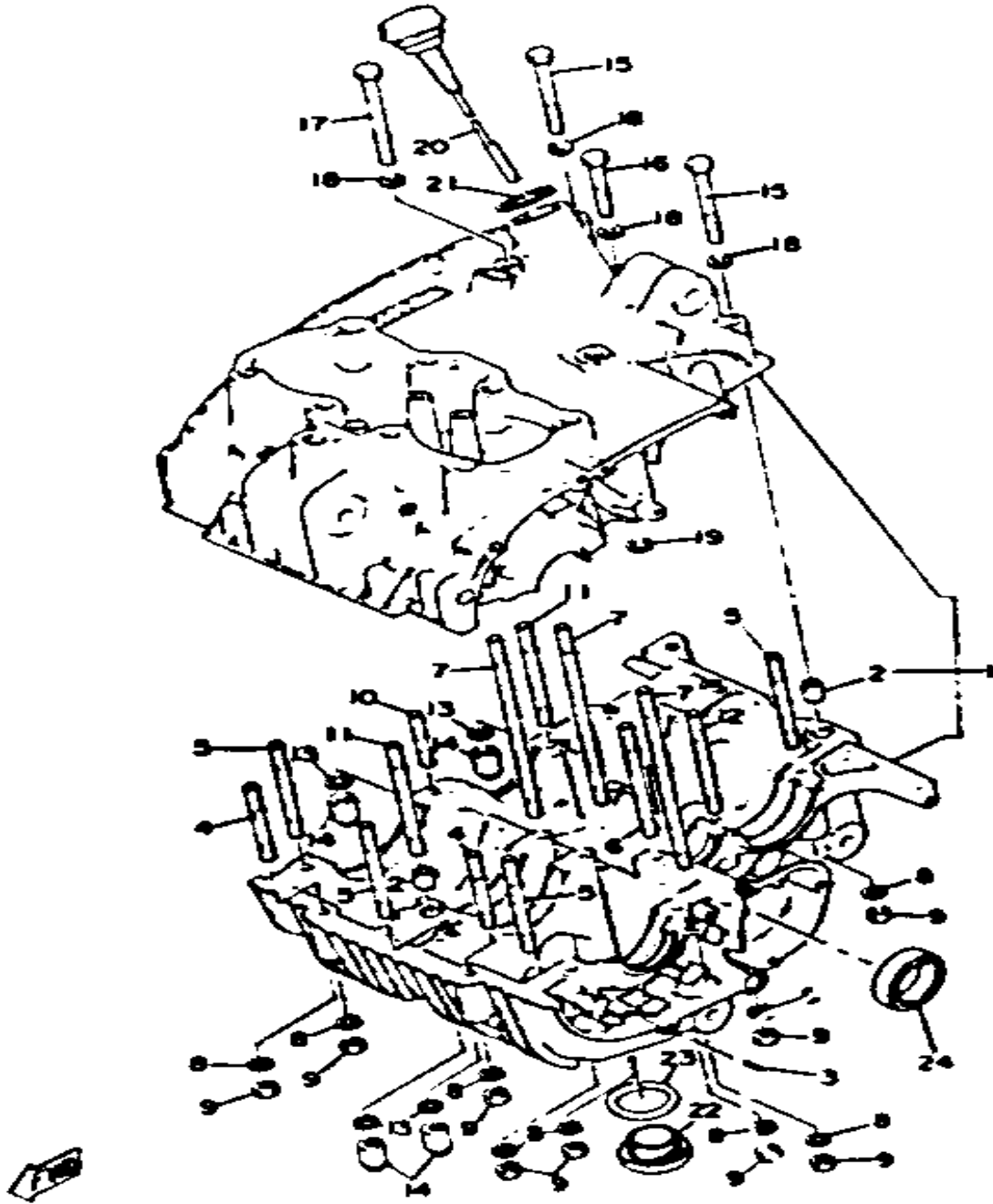
Ref. No.	Part Number	Description	Qty	Remarks
1	256-18101-03-00	SHIFT SHAFT ASSEMBLY. 1	1	
2	90506-08007-00	. SPRING, TENSION	1	
3	90508-32559-00	SPRING, TORSION	1	
4	(90149-10018-00)	SCREW, SPEC'L SHAPE	1	
5	90215-10105-00	WASHER, LOCK	1	
6	90170-10038-00	NUT, HEXAGON	1	
7	93109-14010-00	OIL SEAL, SDO-TYPE	1	
8	90201-14220-00	WASHER, PLATE	1	
9	99001-12600-00	CIRCLIP	1	
10	447-17467-02-00	GUIDE, CHAIN 1	1	
11	2J2-18111-01-00	PEDAL, SHIFT	1	
12	132-18113-01-00	COVER, SHIFT PEDAL	1	
13	97011-06020-00	BOLT	1	

# KICK STARTER



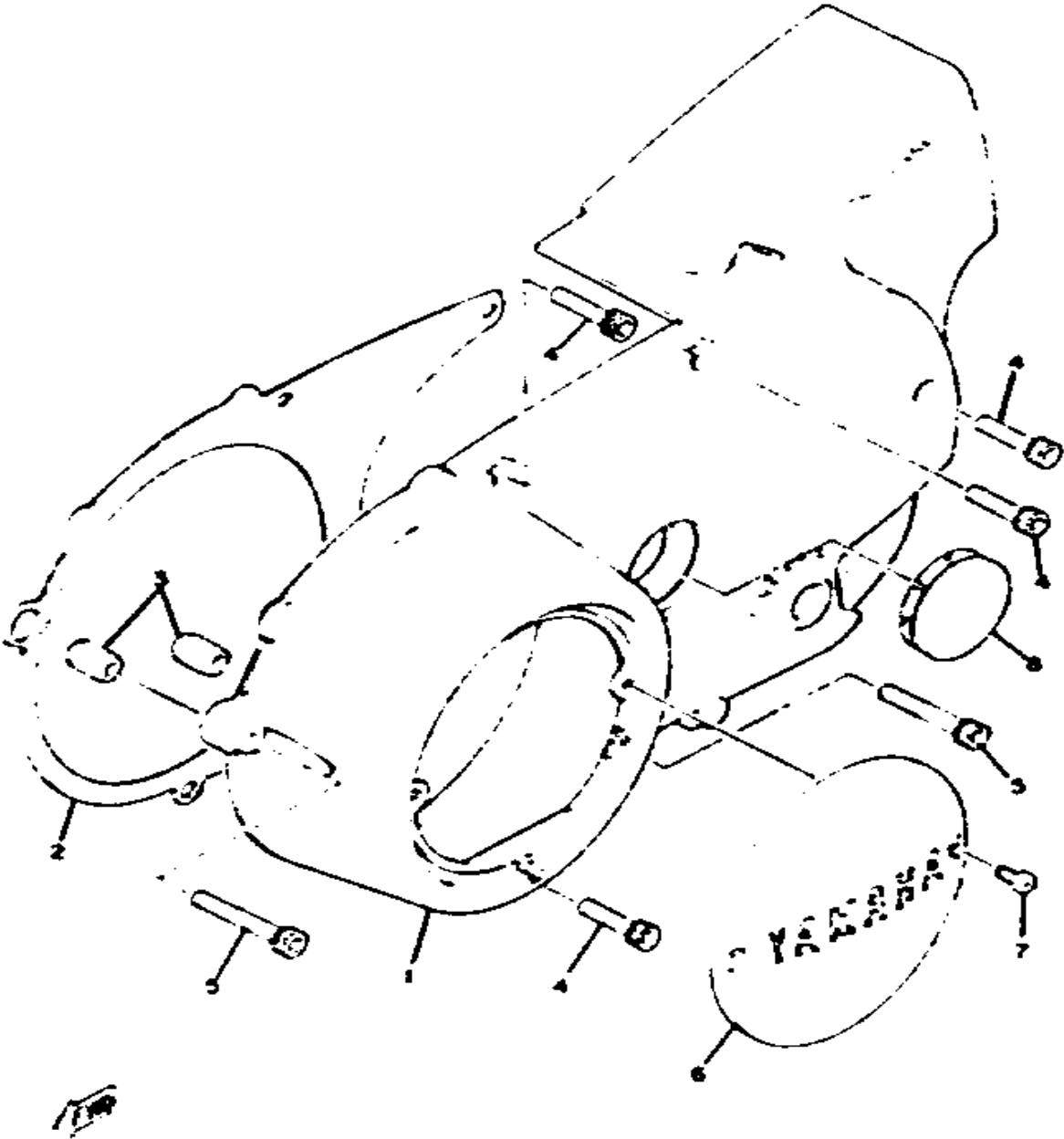
Ref. No.	Part Number	Description	Qty	Remarks
1	(256-15660-02-00)	KICK AXLE ASSEMBLY .....	1	
2	(256-15654-00-00)	HOLDER, KICK GEAR .....	2	
3	(256-15673-00-00)	CLIP .....	1	
4	306-15641-01-00	GEAR, KICK .....	1	
5	(90468-26044-00)	CLIP .....	1	
6	(611-45567-00-03)	SHIM .....	1	U.R.
	611-45567-00-01	SHIM (0.1MM) .....	1	U.R.
	611-45567-00-05	SHIM (0.5MM) .....	1	U.R.
7	90560-25048-00	SPACER (856-23858-00) .....	2	
8	90508-32062-00	SPRING, TORSION .....	1	
9	256-15664-01-00	GUIDE, SPRING .....	1	
10	90201-256K6-00	WASHER, PLATE (0.9T) .....	2	
11	93410-25017-00	CIRCLIP .....	1	
12	93102-25064-00	OIL SEAL .....	1	
13	(2M0-15621-00-00)	BOSS, KICK CRANK .....	1	
14	97313-08030-00	BOLT, HEXAGON .....	1	
15	2M0-15620-02-00	KICK CRANK ASSEMBLY .....	1	
16	93505-16006-00	BALL .....	1	
17	(90501-15091-00)	SPRING, COMPRESSION .....	1	
18	90201-17256-00	WASHER, PLATE .....	1	
19	93430-12022-00	CIRCLIP, E-TYPE .....	1	
20	214-15618-00-00	COVER, KICK LEVER .....	1	

# CRANKCASE



Ref. No.	Part Number	Description	Qty	Remarks
1	(306-15100-03-00)	CRANKCASE ASSEMBLY	1	
2	99510-12016-00	. PIN, DOWEL	2	
3	93603-14026-00	PIN, DOWEL	1	
4	90116-08196-00	BOLT, STUD	2	M8-76L
5	90116-08064-00	BOLT, STUD	4	M8-97L
6	90116-08232-00	BOLT, STUD	1	M8-116L
7	(90116-08199-00)	BOLT, STUD	3	M8-186L
8	92990-08200-00	WASHER, PLAIN	8	
9	95333-08600-00	NUT	8	
10	90116-08047-00	BOLT, STUD (306-15192-00)	1	M8-54L
11	90116-08066-00	BOLT, STUD	2	M8-103L
12	90116-08055-00	BOLT, STUD	1	M8-68L
13	90430-08143-00	GASKET	6	
14	90176-08019-00	NUT, CROWN	6	
15	97013-08075-00	BOLT	2	
16	97313-08055-00	BOLT, HEXAGON	1	
17	97023-08090-00	BOLT (97321-08090)	1	
18	92990-08200-00	WASHER, PLAIN	4	
19	256-15395-00-00	GASKET, OIL SEALING	1	
20	256-15362-02-00	PLUG, OIL LEVEL	1	
21	90430-29114-00	GASKET	1	
22	256-15351-00-00	PLUG, DRAIN	1	
23	256-15353-00-00	GASKET, DRAIN	1	
24	93102-34095-00	OIL SEAL, SD-TYPE	1	

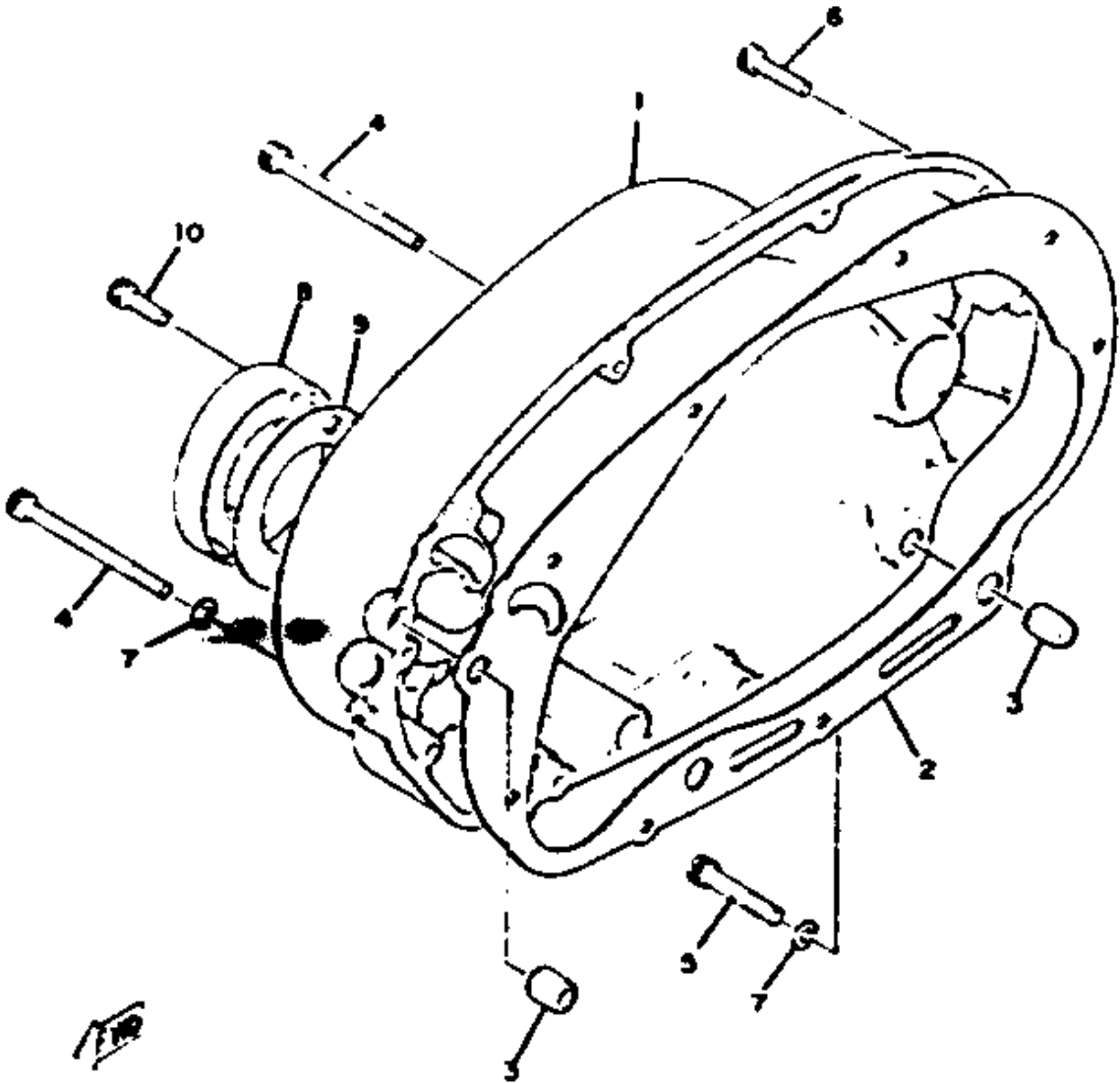
# CRANKCASE COVER (LEFT)



Ref. No.	Part Number	Description	Qty	Remarks
1	584-15411-00-00	COVER, CRANKCASE L	1	
2	306-15461-00-00	GASKET, CRCS CVR 2	1	
3	99510-12016-00	PIN, DOWEL	2	
4	91316-06025-00	BOLT	4	
5	91316-06040-00	BOLT, SOCKET HEAD	2	
6	256-15425-00-00	COVER, GENERATOR R	1	
7	98580-05010-00	SCREW, PAN HEAD	2	
8	1J7-15417-02-00	COVER, CAP	1	

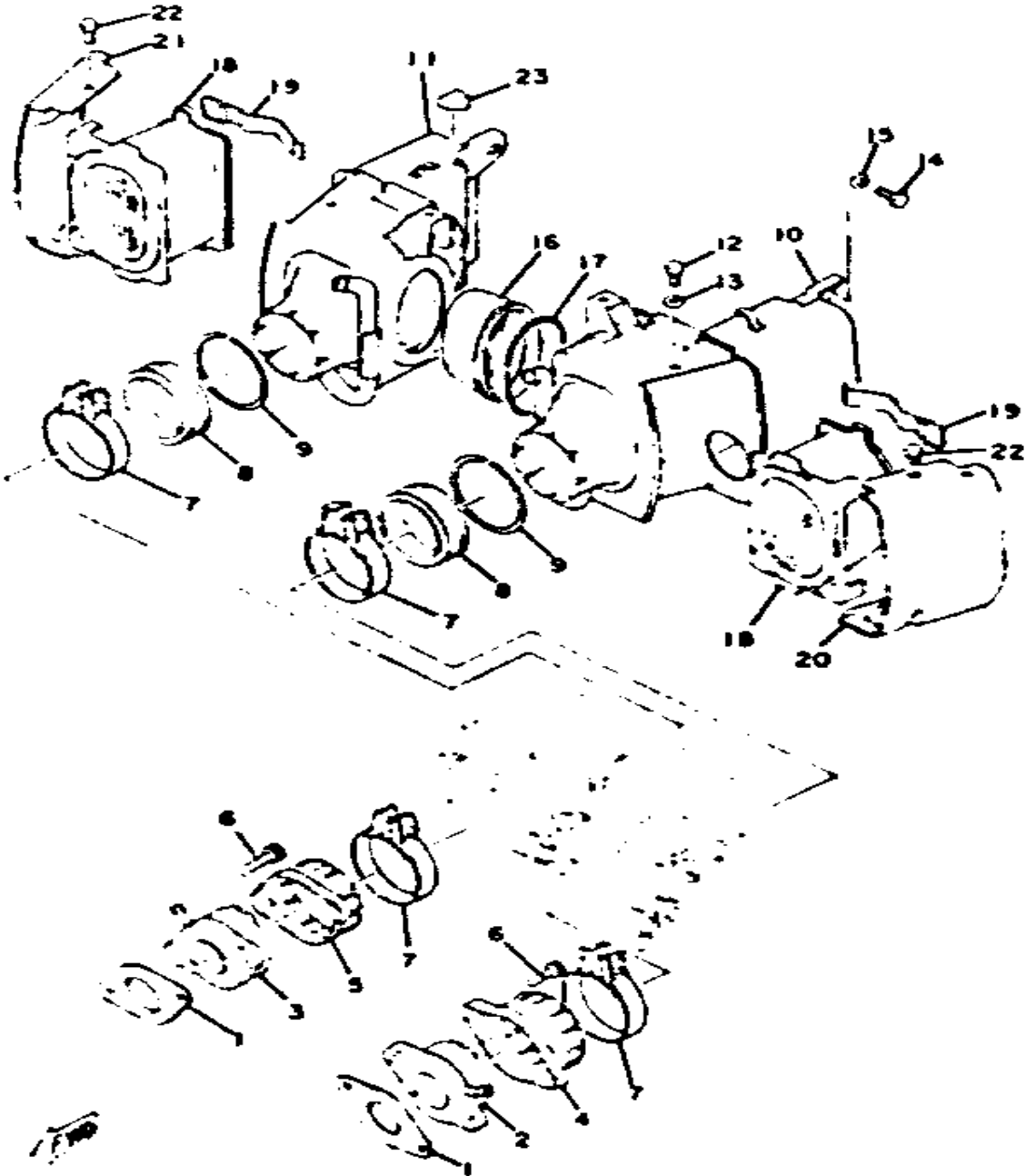


# CRANKCASE COVER (RIGHT)



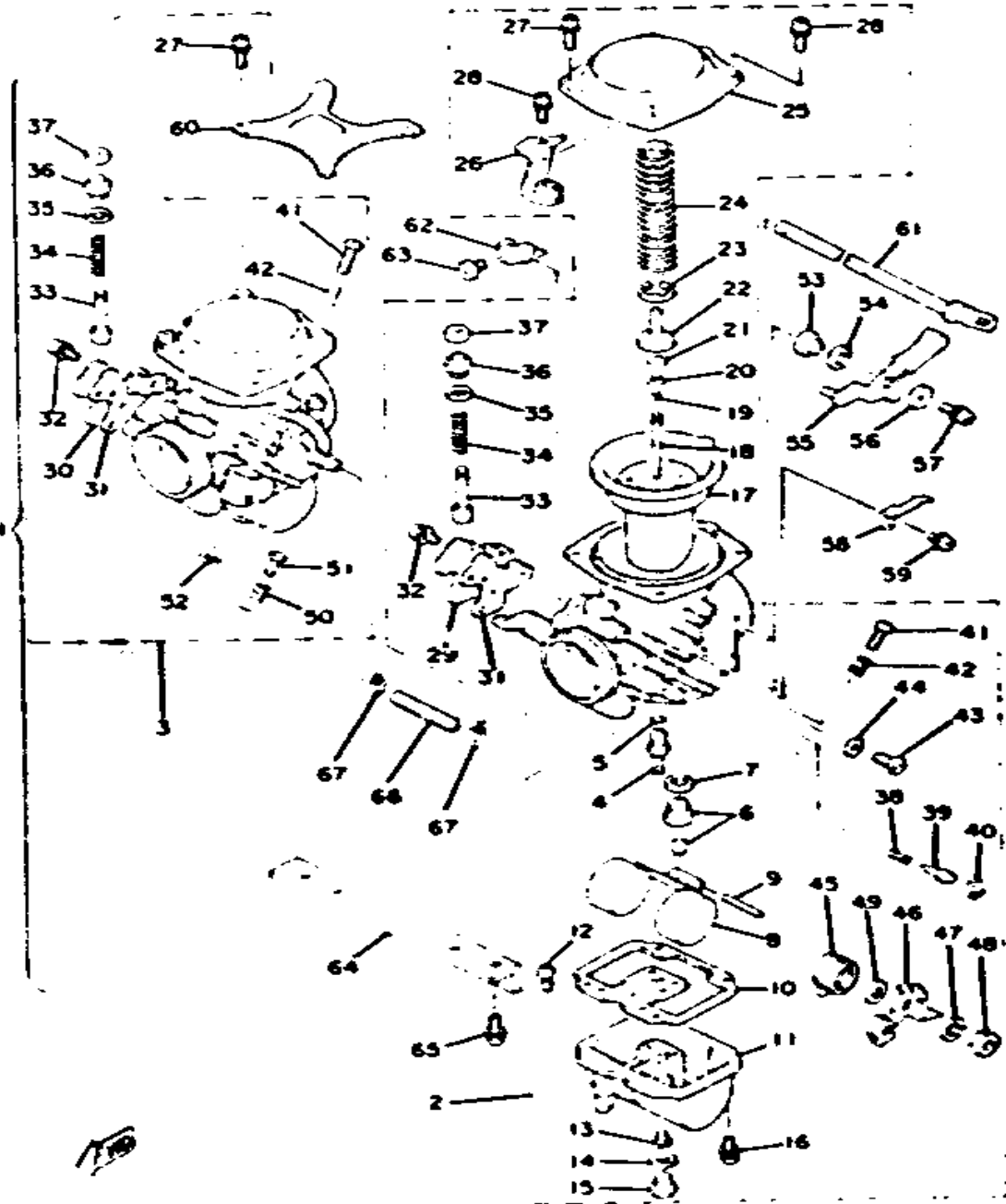
Ref. No.	Part Number	Description	Qty	Remarks
1	2H7-15361-00-00	. GAUGE, LEVEL .....	1	
	4E3-15421-00-00	. COVER, CRANKCASE R ....	1	
	99999-01146-00	CVR CRANKCASE RH (256-15421-04) .....	1	
2	256-15451-00-00	GASKET, CRCS COVER .....	1	
3	99510-12016-00	PIN, DOWEL .....	2	
4	91316-06075-00	BOLT, SOCKET HEAD .....	4	
5	91316-06040-00	BOLT, SOCKET HEAD .....	1	
6	91316-06025-00	BOLT .....	5	
7	90430-06014-00	GASKET .....	4	
8	256-15416-02-00	COVER, OIL PUMP .....	1	
9	256-15456-00-00	GASKET, O/PMP CVR 1 .....	1	
10	91316-06025-00	BOLT .....	2	

# INTAKE



Ref. No.	Part Number	Description	Qty	Remarks
1	256-13556-01-00	GASKET, MANIFOLD .....	2	
2	2F0-13586-00-00	JOINT, CARBURETOR 1 .....	1	
3	2F0-13596-00-00	JOINT, CARBURETOR 2 .....	1	
4	2F0-13564-00-00	COVER, CARB.JOINT .....	1	
5	2F0-13584-00-00	COVER, CARB.JOINT .....	1	
6	91316-06020-00	BOLT, SOCKET HEAD .....	4	
7	90460-58015-00	CLAMP, HOSE .....	4	
8	341-14453-00-00	JOINT, AIR CLNR 1 .....	2	
9	90506-06006-00	SPRING, TENSION (256-14487-00) .....	2	
10	(1E1-14411-00-00)	CASE, AIR CLEANER 1 .....	1	
11	(1E1-14421-00-00)	CASE, AIR CLEANER 2 .....	1	
12	97301-06014-00	BOLT, HEXAGON .....	4	
13	92901-06600-00	WASHER .....	4	
14	97011-06025-00	BOLT (97001-06025) .....	2	
15	92995-06100-00	WASHER, SPRING .....	2	
16	447-14463-01-00	JOINT, AIR CLNR 2 .....	1	
17	90506-06095-00	SPRING, tension .....	1	
18	533-14451-00-00	ELEMENT, AIR CLNR .....	2	
19	533-14468-02-00	PLATE, ELEMENT FTNG .....	2	
20	(447-14412-01-00)	CAP, CLEANER CASE 1 .....	1	
21	447-14422-01-00	CAP, CLEANER CASE 2 .....	1	
22	97011-06010-00	BOLT .....	2	
23	(1E1-14449-00-00)	COLLAR .....	1	

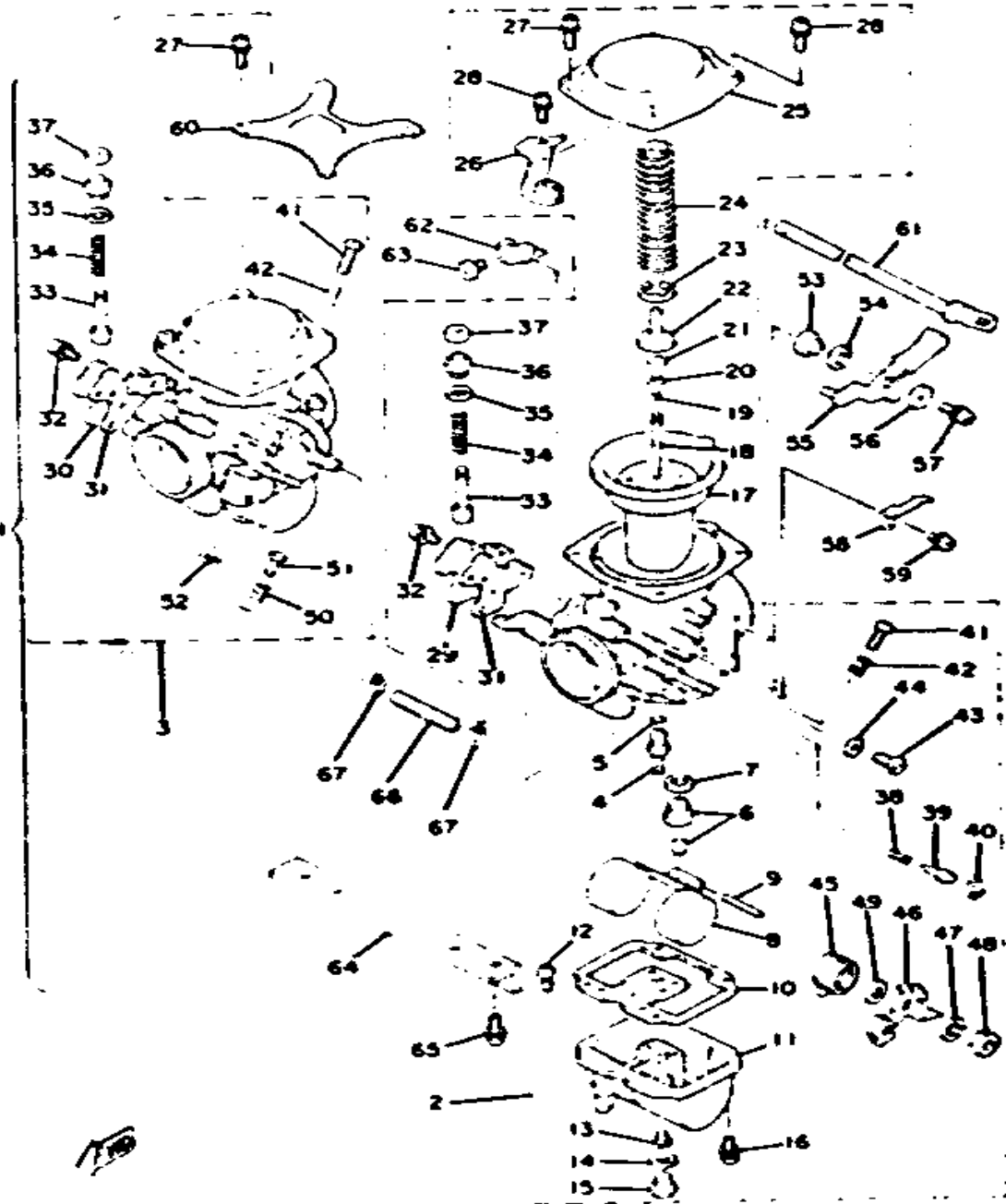
# CARBURETOR



Ref. No.	Part Number	Description	Qty	Remarks
1	(2F0-14900-00-00)	UNAVAILABLE IN PRICE BOOK	1	N/A
2	(2F0-14901-00-00)	CARBURETOR ASSEMBLY 1	1	
3	(2F0-14902-00-00)	CARBURETOR ASSEMBLY 2	1	
4	2F0-14941-82-00	.. NOZZLE, MAIN	2	
5	93210-03142-00	.. O-RING	2	
6	168-14190-20-00	.. NEEDLE VALVE ASSEMBLY	2	
7	214-14195-00-00	.. WASHER, NEEDLE VALVE	2	
8	256-14985-00-00	.. FLOAT	2	
9	127-14186-00-00	.. PIN, FLOAT	2	
10	256-14984-00-00	.. GASKET, FLOAT CHMBR	2	
11	(1J7-14981-09-00)	BODY, FLOAT CHAMBER	2	
12	584-14142-27-A0	.. JET, PILOT #27 5	2	
13	256-14944-27-A1	.. JET, MAIN 1 5	2	
14	256-14956-01-00	.. WASHER	2	
15	1A8-14991-00-00	.. SCREW	2	
16	97601-04112-00	.. SCREW, PN/HD.W/WSHR (97602-04112-00)	8	
17	2F0-14940-00-00	.. DIAPHRAGM ASSEMBLY	2	
18	2F0-14116-02-00	.. NEEDLE	2	
19	2F0-14589-00-00	.. SPRING	2	
20	256-14919-00-00	.. CLIP	2	
21	2F0-14918-00-00	.. RING	2	
22	(2F3-14946-00-00)	PLATE, NEEDLE FTNG	2	
23	2F0-14919-00-00	.. CLIP	2	
24	(2F0-14933-00-00)	SPRING, DIAPHRAGM	2	
25	(256-14958-00-00)	COVER, DIAPHRAGM	2	
26	(447-14926-00-00)	BRACKET, THROTTLE 1	1	
27	98580-05016-00	.. SCREW, PAN HEAD	4	

CONTINUED ON NEXT FRAME ►

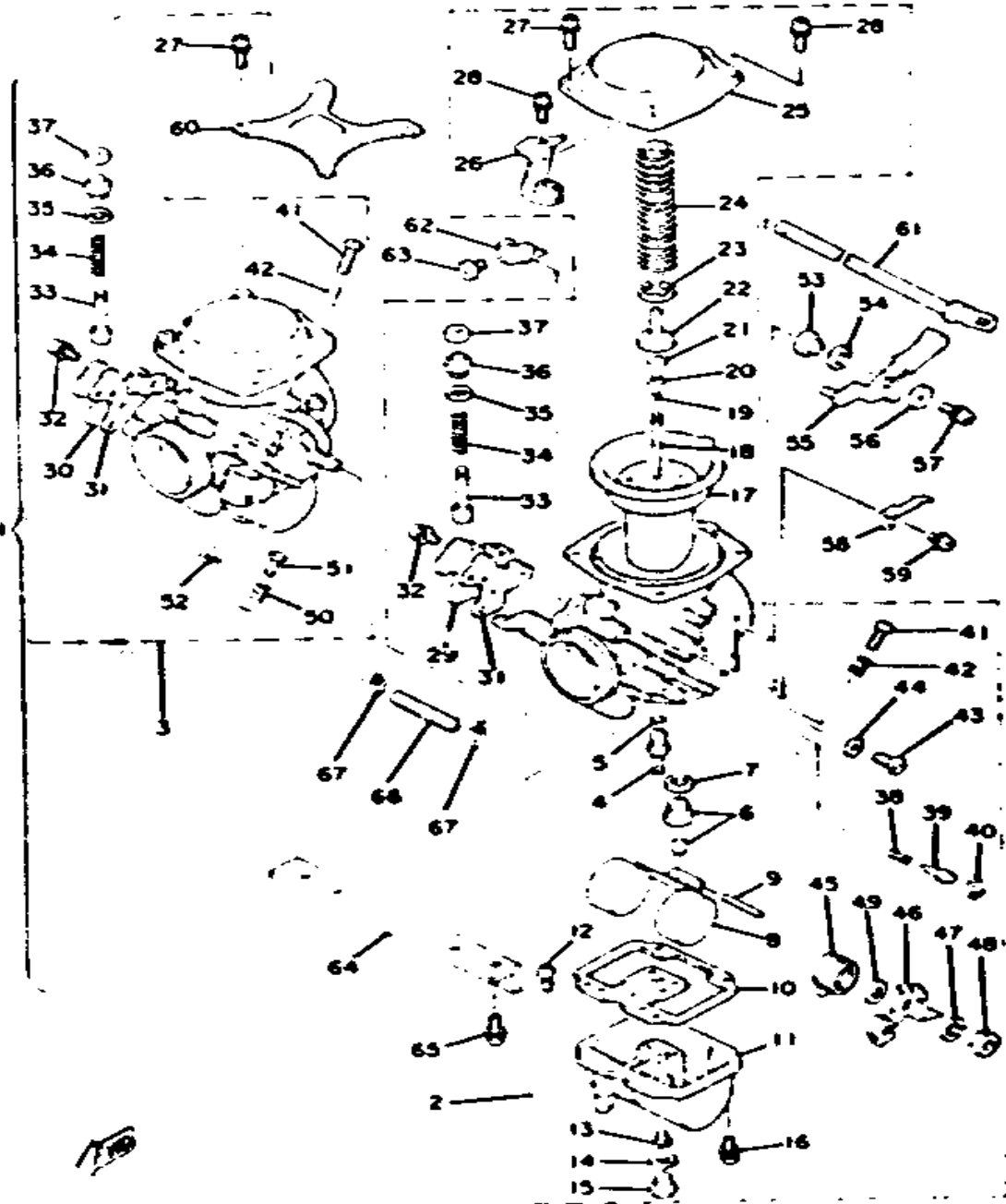
# CARBURETOR



Ref. No.	Part Number	Description	Qty	Remarks
28	(97601-05114-00)	SCREW, PN/HD.W/WSHR	4	
29	(2F0-14907-00-00)	BODY, STARTER	1	
30	(1A8-14907-00-00)	BODY, STARTER	1	
31	447-14979-00-00	.. GASKET, STARTER	2	
32	97601-04112-00	.. SCREW, PN/HD.W/WSHR (97602-04112-00)	6	
33	584-14171-00-00	.. PLUNGER, STARTER	2	
34	256-14135-00-00	.. SPRING, PLUNGER	2	
35	256-14954-00-00	.. WASHER	2	
36	584-14176-00-00	.. LEVER, STARTER 2	2	
37	306-14173-00-00	.. COVER, PLUNGER CAP	2	
38	2F0-14134-00-00	.. SPRING, AIR ADJUSTING	2	
39	2F0-14923-00-00	.. SCREW, PILOT	2	
40	584-14969-00-00	.. CAP	2	
41	256-14922-01-00	.. SCREW, THROTTLE	2	
42	256-14934-01-00	.. SPRING, THRTL STOP	2	
43	341-14991-00-00	.. SCREW	2	
44	584-14956-00-00	.. WASHER	2	
45	584-14931-00-00	.. SPRING, THRTL LEVER	1	
46	(306-14964-00-00)	LEVER, THROTTLE 2	1	
47	92990-08100-00	.. WASHER	2	
48	95333-08600-00	.. NUT	2	
49	(306-14970-00-00)	VALVE, THROTTLE	1	
50	(584-14934-00-00)	SPRING, THRTL STOP	1	
51	584-14992-00-00	.. ROD	1	
52	(584-14937-00-00)	CLIP	1	
53	256-14918-00-00	. RING	1	
54	584-14955-00-00	. WASHER	1	
55	306-14905-02-00	. LEVER, STARTER	1	

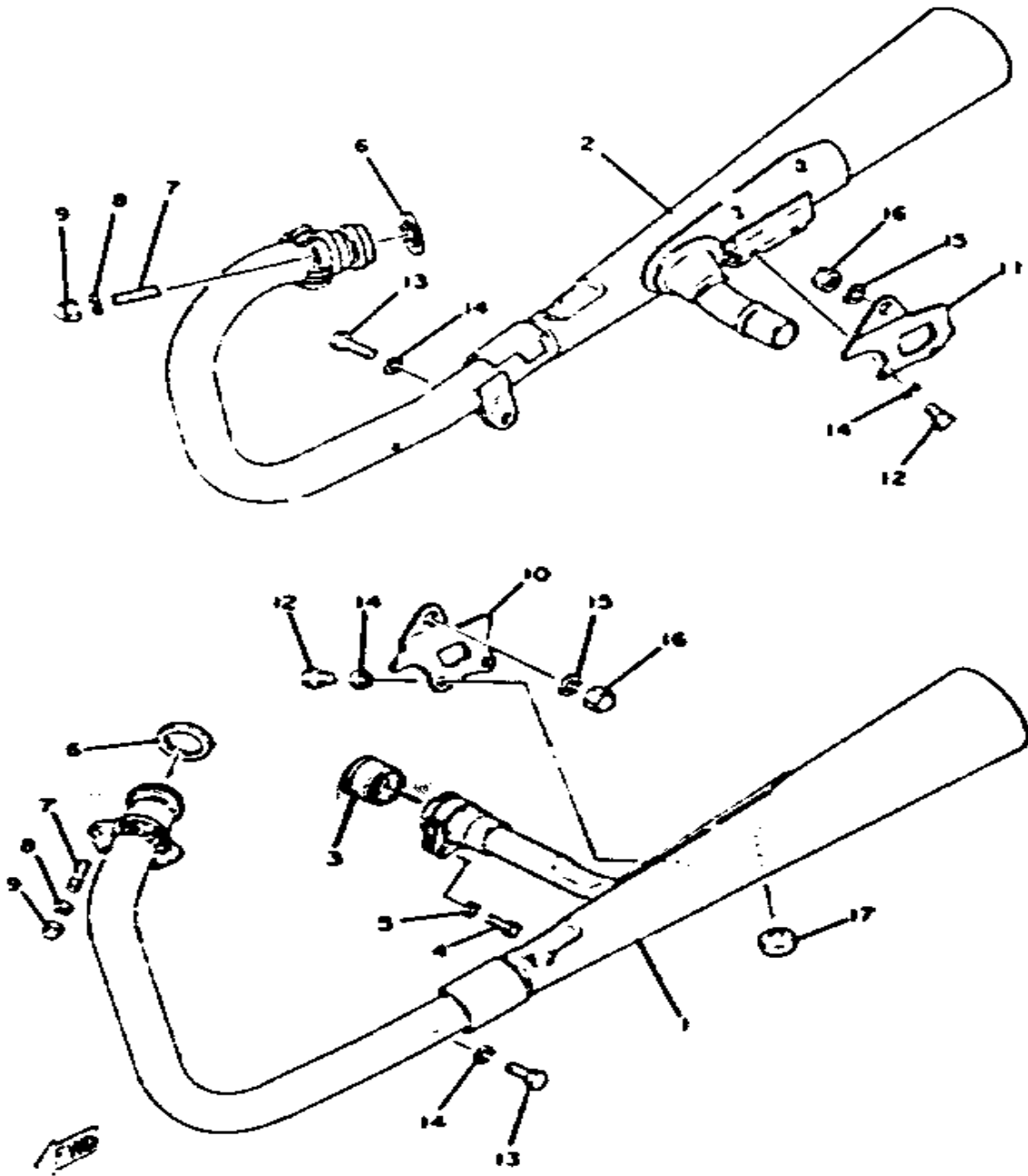
CONTINUED ON NEXT FRAME ►

# CARBURETOR



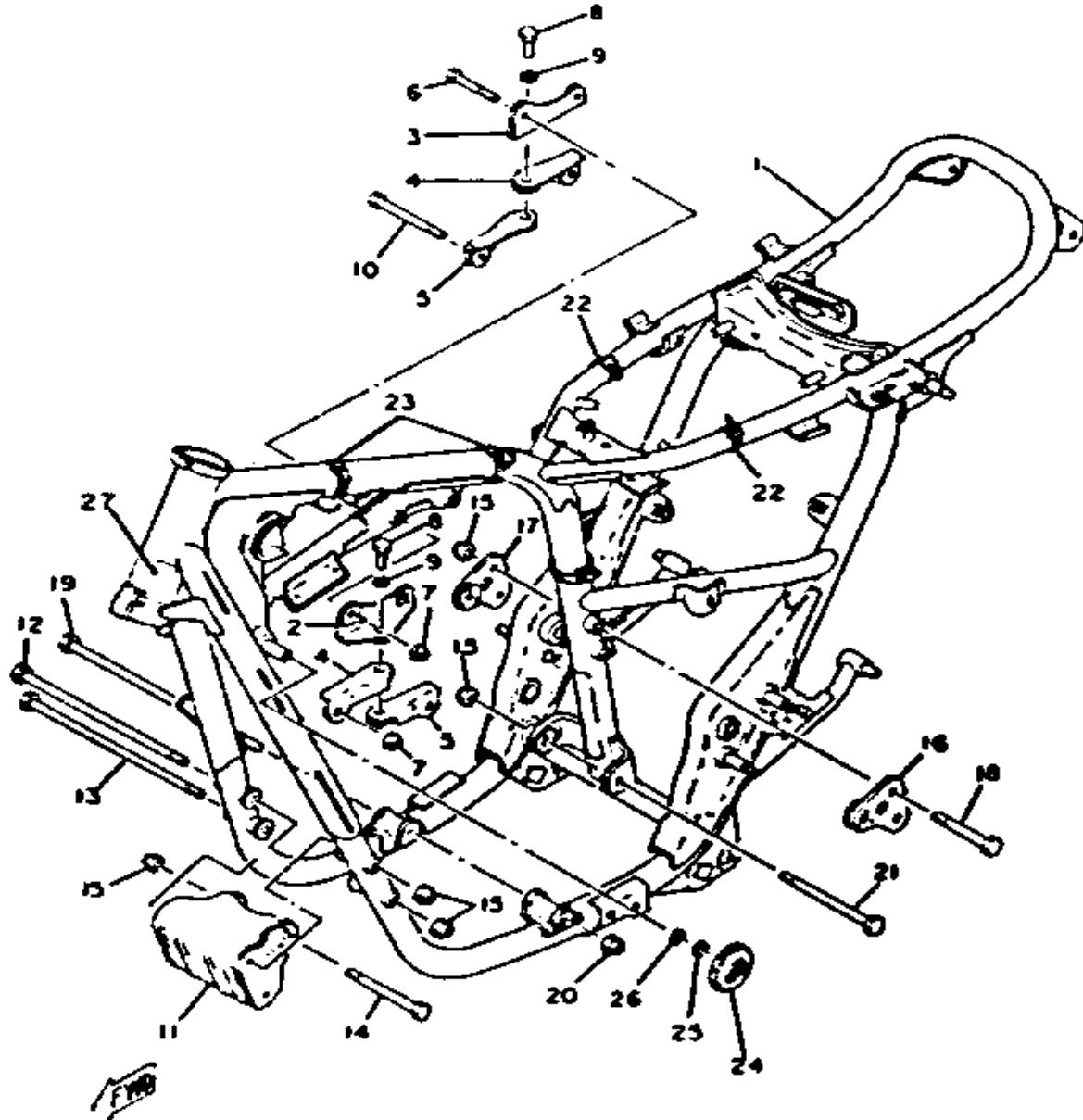
Ref. No.	Part Number	Description	Qty	Remarks
56	256-14952-00-00	. WASHER .....	1	
57	97601-04112-00	. SCREW, PN/HD.W/WSHR (97602-04112-00) .....	1	
58	584-14938-00-00	. SPRING .....	1	
59	97601-04106-00	. SCREW, PN/HD.W/WSHR ...	1	
60	(584-14243-00-00)	PLATE .....	1	
61	(2F0-14977-00-00)	SHAFT, STARTER LVR .....	1	
62	2F0-14905-00-00	. LEVER, STARTER .....	2	
63	584-14991-00-00	. SCREW .....	2	
64	(584-14146-00-00)	PLATE .....	1	
65	(97601-06114-00)	SCREW, PN/HD.W/WSHR .....	4	
66	(306-14988-00-00)	PIPE, STARTER CON .....	1	
67	(341-14919-00-00)	CLIP .....	2	

# EXHAUST



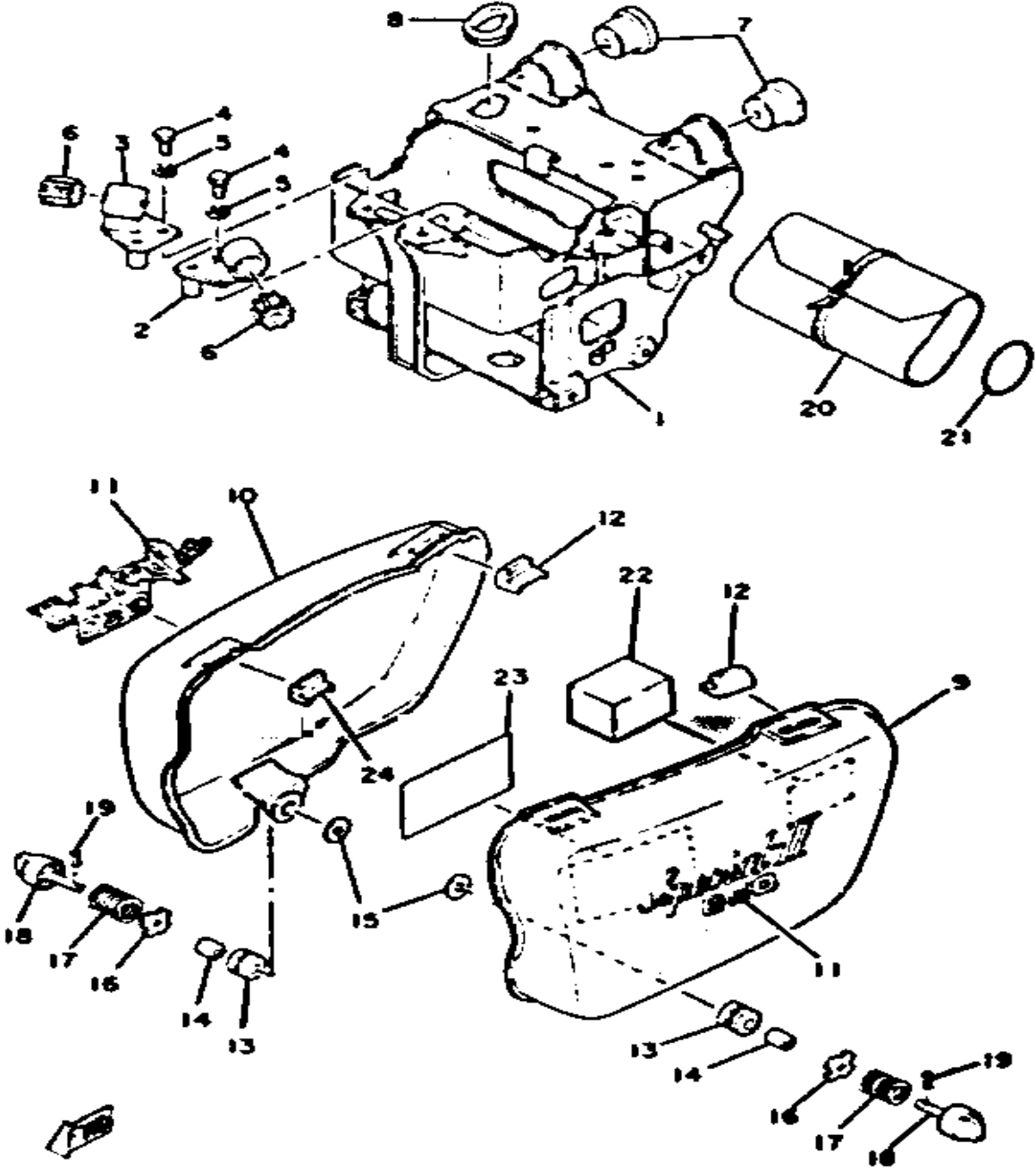
Ref. No.	Part Number	Description	Qty	Remarks
1	2M0-14710-01-00	MUFFLER ASSEMBLY L (2M0-14710-00)	1	
2	2M0-14720-01-00	MUFFLER ASSEMBLY R (2M0-14720-00)	1	
3	1JK-14714-00-00	GASKET, MUFFLER	1	
4	91316-08025-00	BOLT, SOCKET HEAD	1	
5	92901-08600-00	WASHER	1	
6	90430-38054-00	GASKET	2	
7	90116-10195-00	BOLT, STUD	4	M10-43L
8	92990-10100-00	WASHER, SPRING	4	
9	95303-10800-00	NUT (CROWN) (92803-10700)	4	
10	2M0-14771-01-00	STAY, MUFFLER 1	1	
11	2M0-14781-01-00	STAY, MUFFLER 2	1	
12	97011-10016-00	BOLT, HEXAGON	4	
13	90105-10058-00	BOLT, WASHER BASED	2	
14	92990-10100-00	WASHER, SPRING	6	
15	92901-12100-00	WASHER, SPRING	2	
16	95303-12800-00	NUT (CROWN)	2	
17	371-27114-00-00	STOPPER, MAIN STAND	1	

# FRAME



Ref. No.	Part Number	Description	Qty	Remarks
1	(2M1-21110-00-33)	FRAME .....	1	YAMAHA BLACK
2	447-21314-00-00	STAY, ENGINE 1 .....	1	
3	447-21315-00-00	STAY, ENGINE 2 .....	1	
4	256-21317-01-00	STAY, ENGINE 4 .....	2	
5	256-21316-01-00	STAY, ENGINE 3 .....	2	
6	95811-08055-00	BOLT, FLANGE .....	2	
7	90185-08089-00	NUT, SELF-LOCKING .....	4	
8	95811-10025-00	BOLT, FLANGE .....	2	
9	92990-10100-00	WASHER, SPRING .....	2	
10	95811-08090-00	BOLT, FLANGE (95822-08090) .	2	
11	447-21318-00-98	STAY, ENGINE 5 .....	1	YAMAHA BLACK
12	90105-10235-00	BOLT, WASHER BASED .....	1	
13	90105-10044-00	BOLT, WASHER BASED .....	1	
14	90105-10039-00	BOLT, WASHER BASED .....	1	
15	90185-10060-00	NUT, SELF-LOCKING .....	7	
16	447-21319-00-00	STAY, ENGINE 6 .....	1	
17	447-21387-00-00	STAY, ENGINE 7 .....	1	
18	95811-10070-00	BOLT, flange (95812-10070-00)	3	
19	90106-10029-00	BOLT, DOME HEAD .....	1	
20	90185-10060-00	NUT, SELF-LOCKING .....	1	
21	90105-10119-00	BOLT, WASHER BASED .....	1	
22	25G-83936-01-00	BAND, SWITCH CORD .....	2	L=105
23	437-83936-11-00	BAND, SWITCH CORD .....	2	
24	355-85111-01-00	REFLECTOR, FRONT 1 .....	2	
25	92990-05100-00	WASHER, SPRING .....	2	
26	92990-05200-00	WASHER, PLAIN .....	2	
27	(2F5-21181-01-00)	PLATE, APPROVAL NO .....	1	

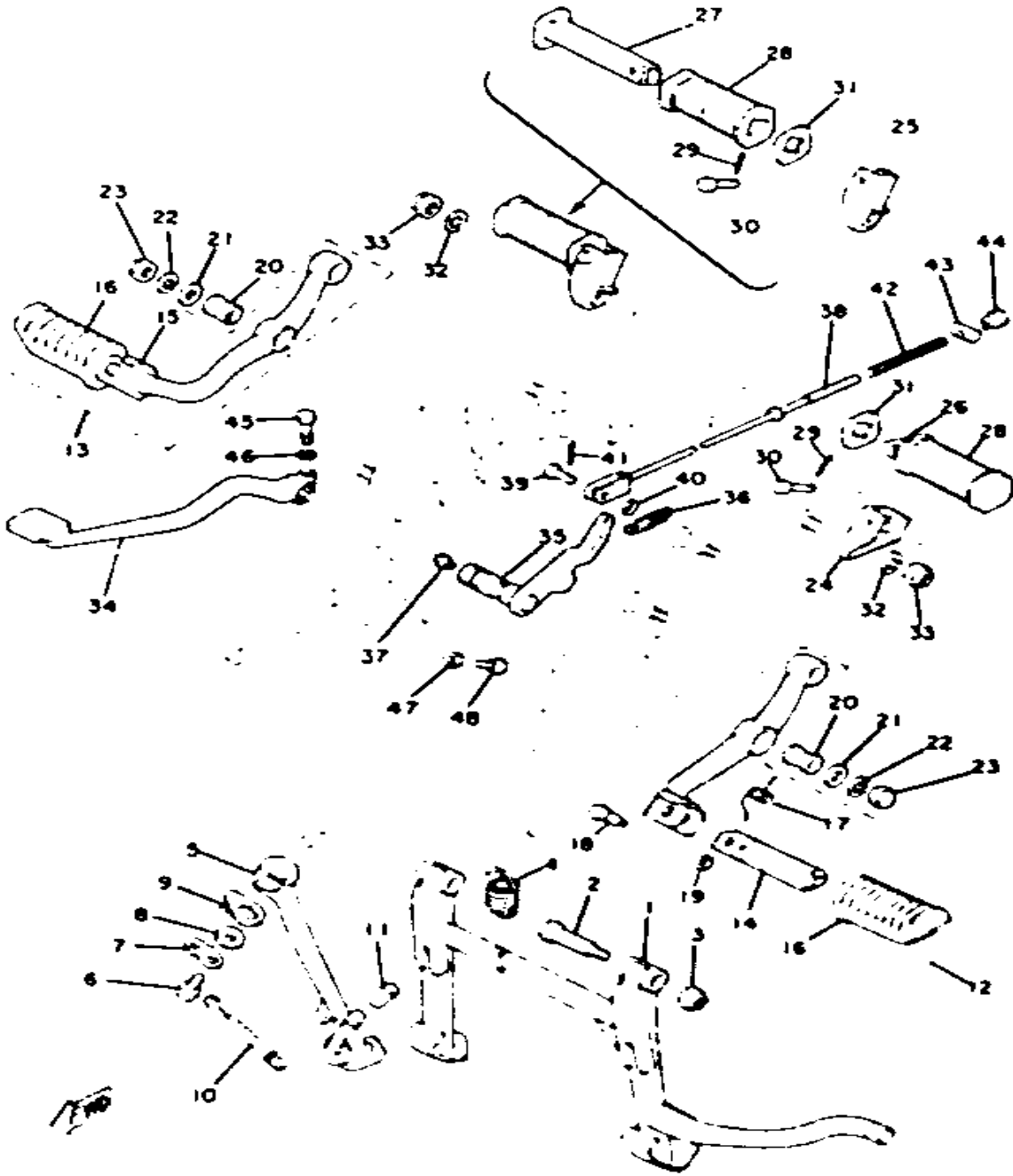
# SIDE COVER - BATTERY BOX



Ref. No.	Part Number	Description	Qty	Remarks
1	(447-21170-04-33)	BOX, BATT. ....	1	YAMAHA BLACK
2	447-21149-00-00	BRACKET, BATT BOX .....	1	
3	447-21344-00-00	BRACKET, BATT BOX .....	1	
4	97313-06016-00	BOLT, HEXAGON .....	2	
5	92995-06100-00	WASHER, SPRING .....	2	
6	2J2-21729-00-00	CLAMP, DAMPER .....	2	
7	256-21747-00-00	DAMPER .....	2	
8	(447-82128-00-00)	BRACKET, BATTERY .....	1	
9	(3N0-21711-00-6G)	COVER, SIDE 1 .....	1	NEW YAMAHA BLK
10	3N0-21721-00-6G	COVER, SIDE 2 .....	1	NEW YAMAHA BLK
11	3N0-21781-00-00	EMBLEM 1 .....	2	
12	466-21717-00-00	DAMPER, SIDE COVER .....	2	
13	90387-07390-00	COLLAR .....	2	
14	90387-07390-00	COLLAR .....	2	
15	90201-06063-00	WASHER, PLATE .....	2	
16	90209-06044-00	WASHER, SPEC'L SHAP .....	2	
17	90501-18205-00	SPRING, COMPRESSION .....	2	
18	447-21714-01-00	KNOB, SIDE COVER 1 .....	2	
19	91609-25015-00	PIN, SPRING .....	2	
20	3J3-W2810-00-00	TOOL KIT .....	1	
21	93210-40040-00	O-RING .....	1	
22	447-21746-00-00	DAMPER .....	1	
23	(2F0-21683-00-00)	PLATE, SPEC .....	1	
24	360-21717-01-00	DAMPER .....	2	



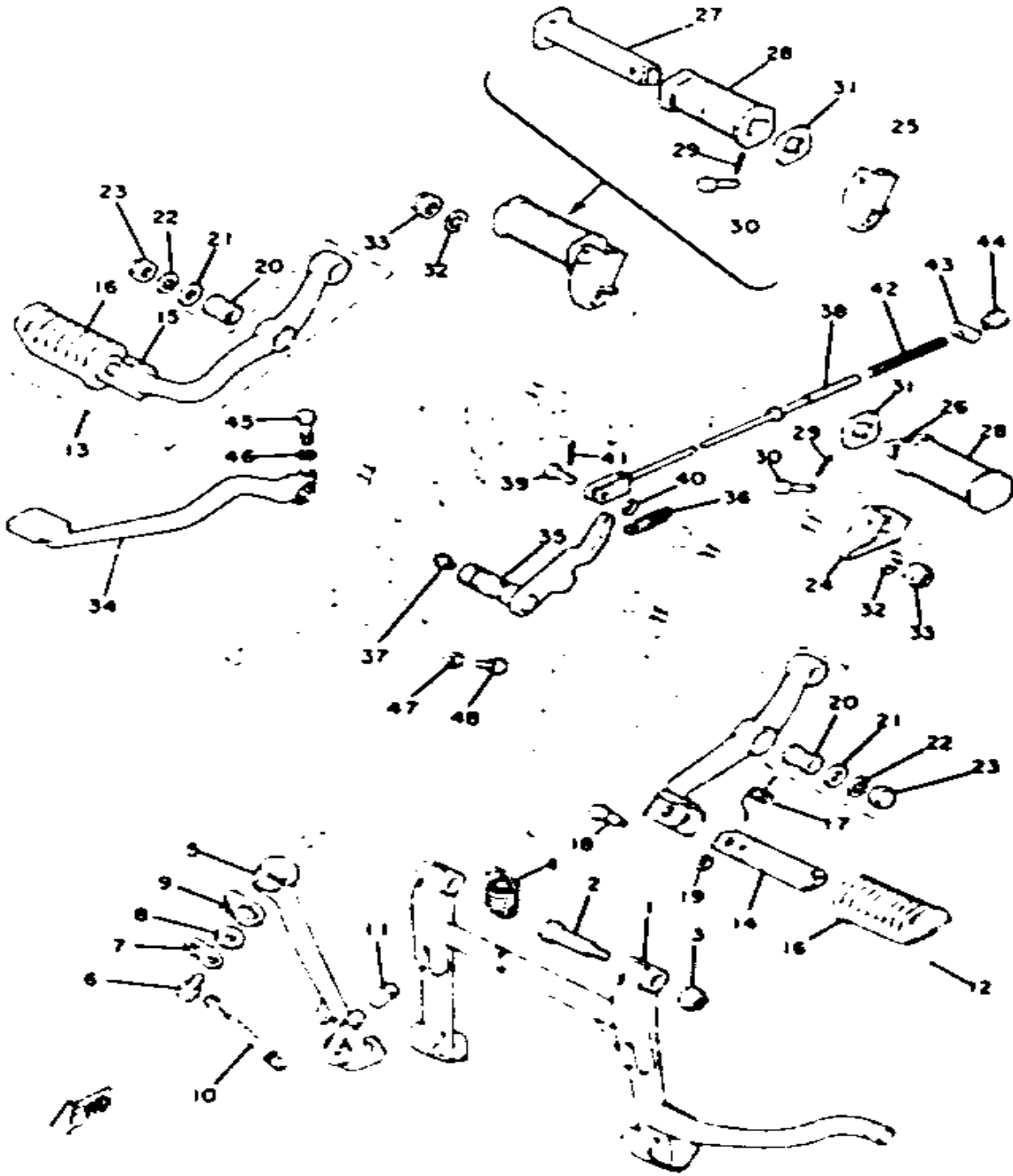
# STAND - FOOTREST - BRAKE PEDAL



Ref. No.	Part Number	Description	Qty	Remarks
1	1T3-27111-02-00	STAND, MAIN	1	
2	90109-10268-00	BOLT	2	
3	90185-10060-00	NUT, SELF-LOCKING	2	
4	90506-50064-00	SPRING, TENSION	1	
5	1T3-27311-00-00	STAND, SIDE	1	
6	97313-08020-00	BOLT, HEXAGON	1	
7	36Y-27322-00-00	WASHER, SIDE STAND	1	
8	90201-085E6-00	WASHER PLATE	1	
9	36Y-27352-00-00	HOOK, SIDE STAND	1	
10	90507-29009-00	SPRING, TENSION	1	
11	1T3-27314-00-00	STOPPER	1	
12	1T3-27410-00-33	FRT FOOTREST ASSEMBLY L	1	YAMAHA BLACK
13	1T3-27420-00-93	FRT FOOTREST ASSEMBLY R	1	YAMAHA BLACK
14	3CK-27451-00-00	. FOOTREST	1	
15	3N6-27461-00-00	. FOOTREST	1	
16	4L0-27423-00-00	. COVER, FOOTREST	2	
17	90508-20023-00	. SPRING, TORSION	2	
18	90243-08006-00	. PIN	2	
19	90201-06042-00	. WASHER, PLATE	2	
20	256-27414-00-00	DAMPER, FOOTREST	4	
21	90201-10437-00	WASHER, PLATE	4	
22	92990-10100-00	WASHER, SPRING	4	
23	90176-10013-00	NUT, CROWN	4	
24	3G1-27432-00-00	BRACKET 1	1	
25	3G1-27442-00-00	BRACKET 2	1	
26	447-27431-00-00	FOOTREST, REAR 1	1	
27	447-27441-00-00	FOOTREST, REAR 2	1	
28	447-27433-00-00	COVER, RR FOOTREST	2	
29	91490-16020-00	PIN, COTTER	2	

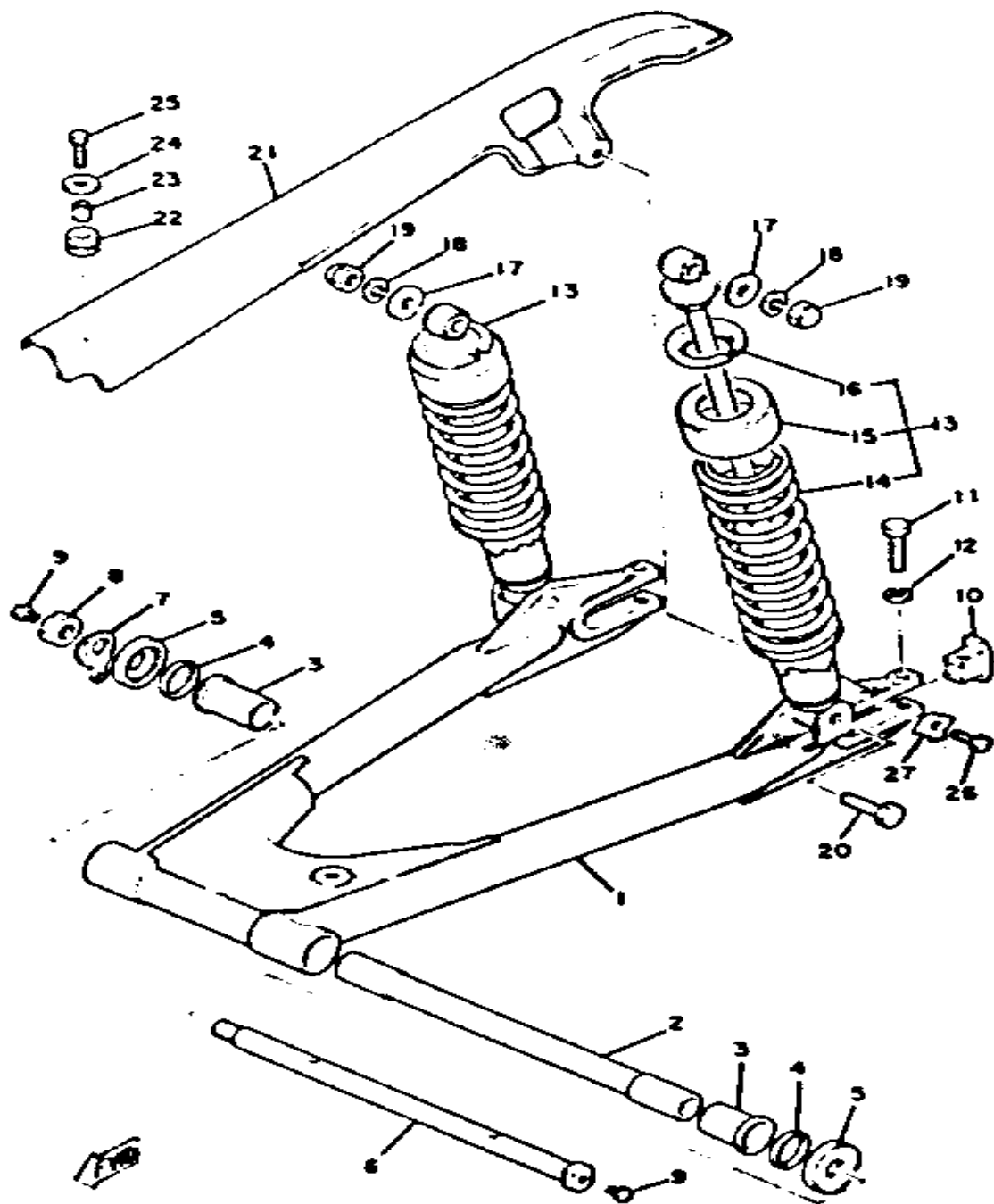
CONTINUED ON NEXT FRAME ►

# STAND - FOOTREST - BRAKE PEDAL



Ref. No.	Part Number	Description	Qty	Remarks
30	91701-06035-00	PIN, CLEVIS .....	2	
31	90209-18070-00	WASHER, SPECL SHAP .....	2	
32	92901-12100-00	WASHER, SPRING .....	2	
33	95303-12800-00	NUT (CROWN) .....	2	
34	533-27211-01-93	PEDAL, BRAKE .....	1	
35	533-27212-00-00	SHAFT, BRAKE PEDAL .....	1	
36	90506-23046-00	SPRING, TENSION .....	1	
37	93700-06M03-00	NIPPLE, GREASE .....	1	
38	447-27231-02-00	ROD, BRAKE .....	1	
39	90240-08013-00	PIN, CLEVIS .....	1	
40	90201-08083-00	WASHER, PLATE .....	1	
41	91490-16020-00	PIN, COTTER .....	1	
42	90501-10245-00	SPRING, COMPRESSION .....	1	
43	90249-12008-00	PIN .....	1	
44	90179-06411-00	NUT .....	1	
45	90109-06468-00	BOLT .....	1	
46	92995-06100-00	WASHER, SPRING .....	1	
47	90170-06184-00	NUT, HEXAGON .....	1	
48	90153-06008-00	SCREW, HEXAGON .....	1	

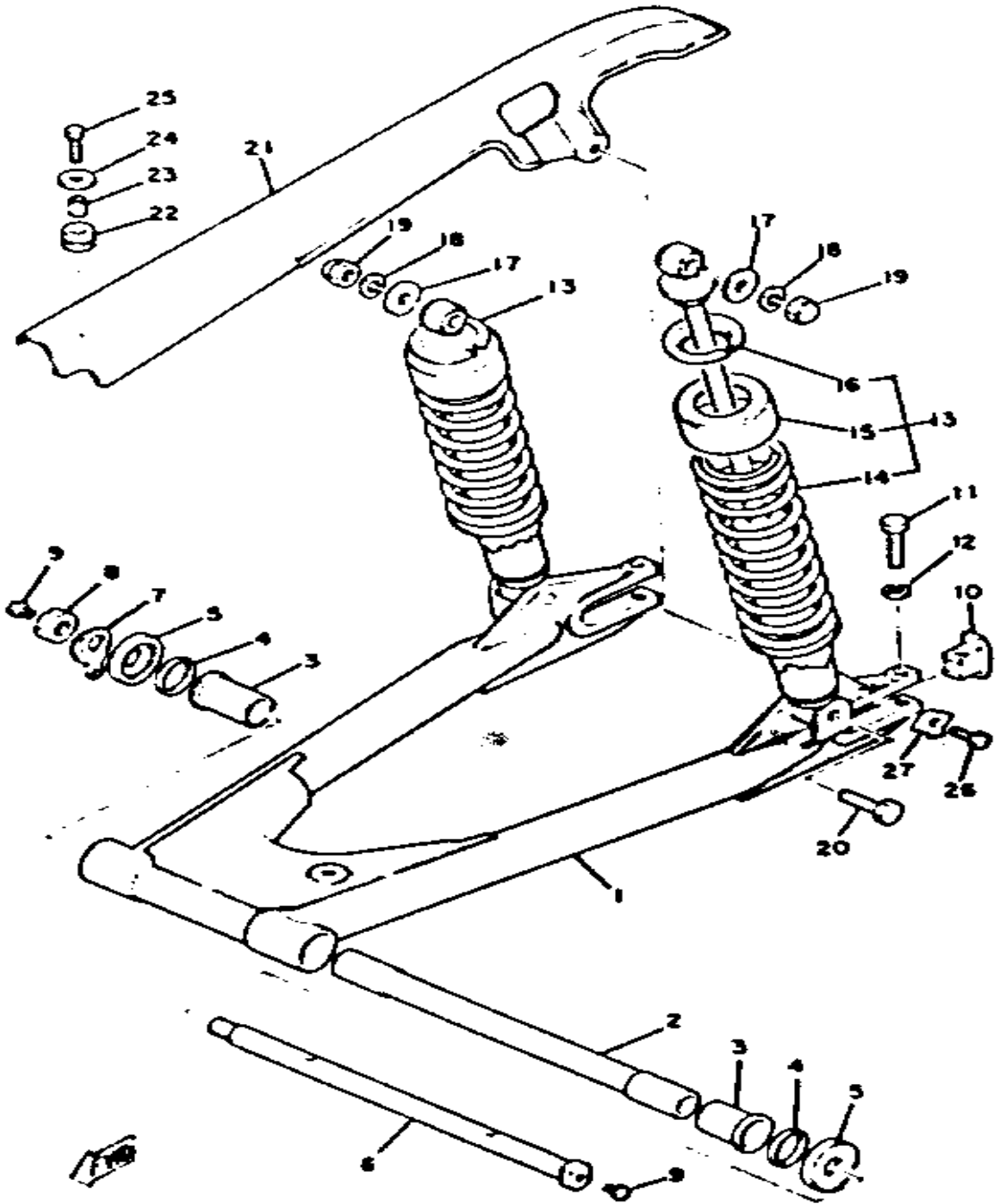
# REAR ARM - REAR CUSHION - CHAIN CA



Ref. No.	Part Number	Description	Qty	Remarks
1	(447-22110-00-98)	REAR ARM	1	YAMAHA BLACK
2	341-22184-00-00	BUSH	1	
3	90386-22102-00	BUSH, SPEC'L NYLON	2	
4	240-22127-00-00	SHIM	1	
5	447-22128-00-00	COVER, THRUST 1	2	
6	447-22141-00-00	SHAFT, PIVOT	1	
7	90215-14055-00	WASHER, LOCK	1	
8	90170-14403-00	NUT	1	
9	93700-06M03-00	NIPPLE, GREASE	2	
10	341-22177-00-00	BAR, COMPRESSION	2	
11	97313-08040-00	BOLT, HEXAGON (97322-08040)	2	
12	92990-08100-00	WASHER	2	
13	2M0-22210-00-00	SHK/ABS ASSEMBLY, REAR	2	
14	2M0-22212-00-00	. SPRING	2	
15	(447-22211-21-00)	COVER	2	
16	341-22213-20-00	. SEAT, SPRING UPPER	2	
17	90201-10142-00	WASHER, PLATE (341-22243-00)	2	
18	92990-10100-00	WASHER, SPRING	2	
19	90176-10009-00	NUT, CROWN	2	
20	90106-10025-00	BOLT, DOME HEAD	2	
21	(2M0-22311-00-33)	CASE, CHAIN	1	YAMAHA BLACK
22	90480-14023-00	GROMMET	1	
23	90387-07390-00	COLLAR	1	
24	90201-06066-00	WASHER, PLATE	1	
25	97011-06025-00	BOLT (97001-06025)	1	
26	97023-06020-00	BOLT (3XF)	1	
27	(2M0-22210-10-00)	SHK/ABS ASSEMBLY, REAR	2	OPTIONAL PARTSHEAVY DUTY

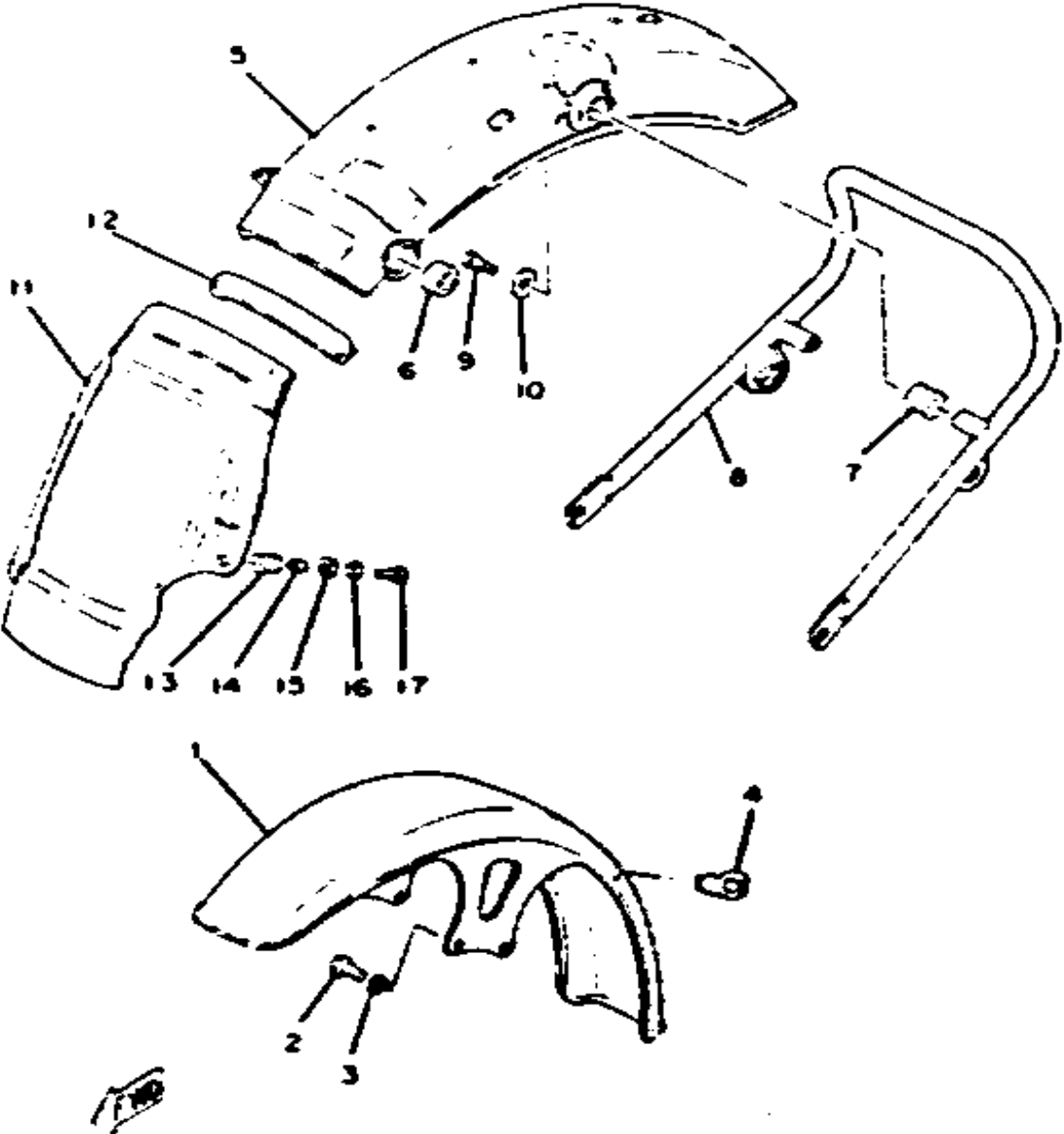
CONTINUED ON NEXT FRAME ►

# REAR ARM - REAR CUSHION - CHAIN C



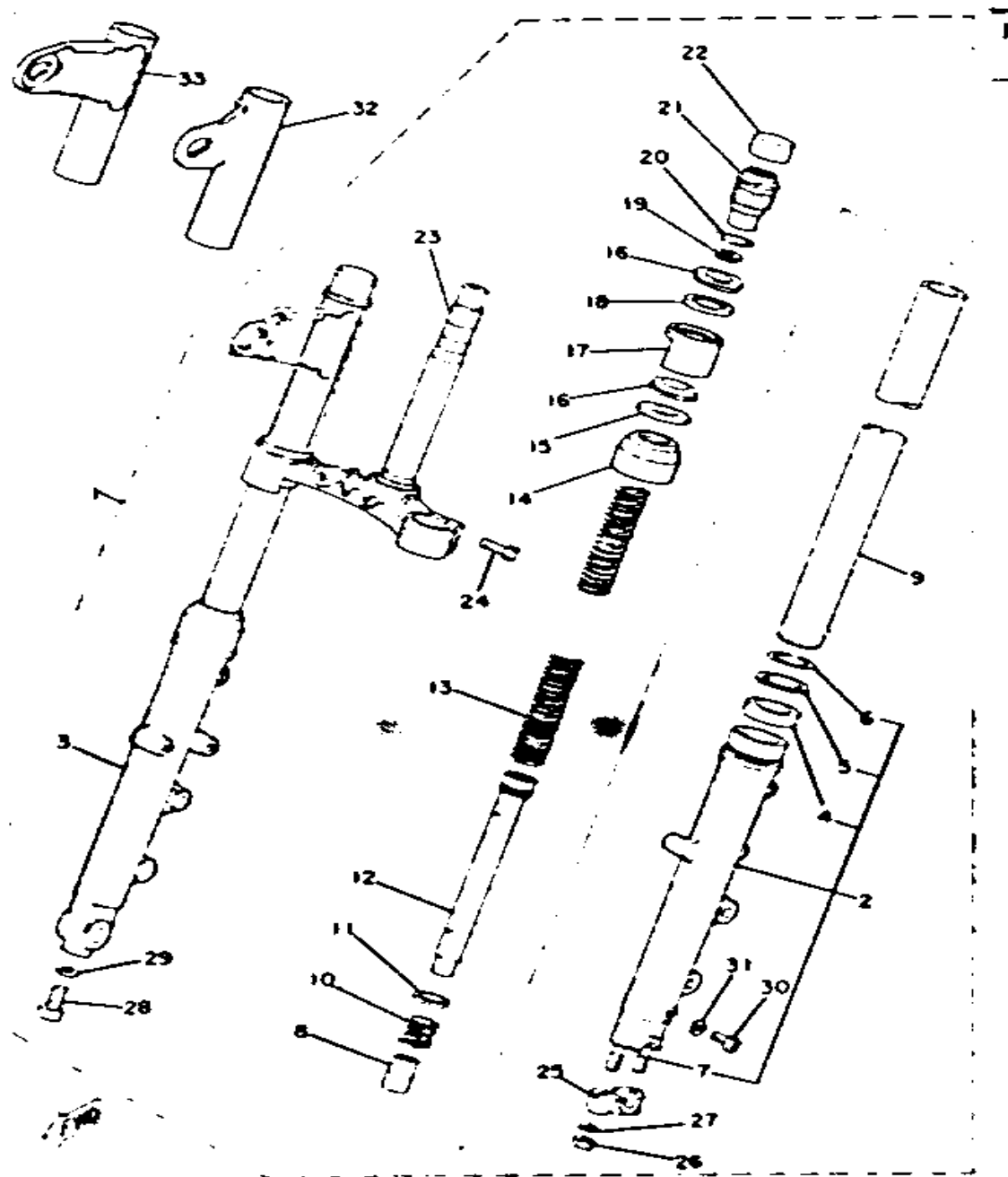
Ref. No.	Part Number	Description	Qty	Remarks
27	(2M0-22212-10-00)	SPRING .....	2	OPTIONAL PARTS
	90215-07164-00	WASHER, LOCK .....	1	

# FRONT FENDER -REAR FENDER



Ref. No.	Part Number	Description	Qty	Remarks
1	2J2-21510-00-93	FENDER, FRONT	1	
2	97313-08020-00	BOLT, HEXAGON	4	
3	92990-08100-00	WASHER	4	
4	1A0-21518-00-00	HOLDER, CABLE	1	
5	2M0-21610-00-93	FENDER, REAR	1	
6	447-21638-00-00	DAMPER 1	2	
7	168-21639-00-00	DAMPER 2	2	
8	2M0-21645-00-00	STAY, REAR	1	
9	90109-10349-00	BOLT	2	
10	90201-15239-00	WASHER, PLATE	2	
11	(2M0-21629-00-00)	GUARD, MUD	1	
12	447-21268-01-00	SEAL	1	
13	90480-14023-00	GROMMET	3	
14	90387-07390-00	COLLAR	3	
15	90201-06067-00	WASHER, PLATE	3	
16	92995-06100-00	WASHER, SPRING	3	
17	98511-06025-00	SCREW PAN HEAD (92501-06025)	3	

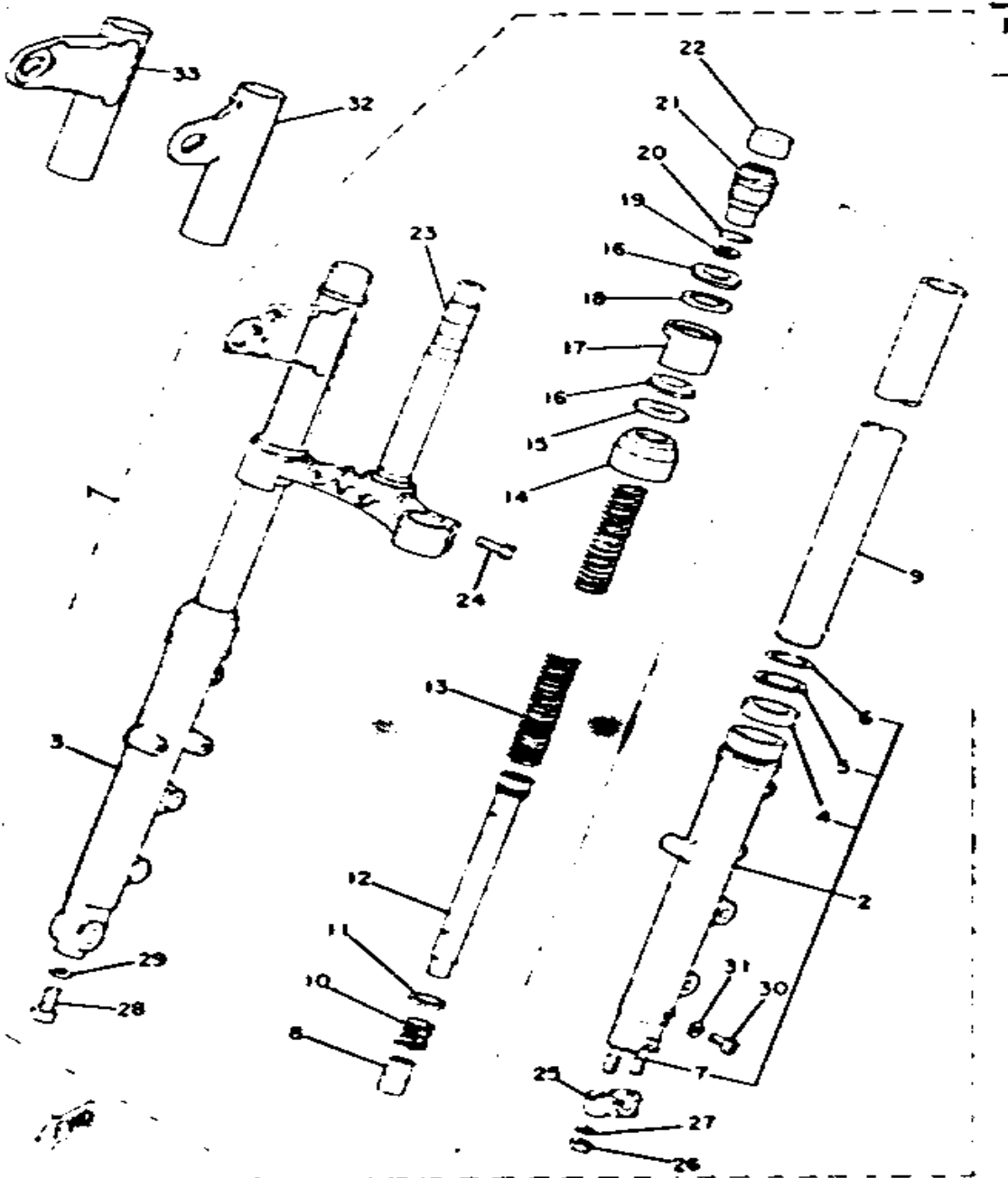
# FRONT FORK



Ref. No.	Part Number	Description	Qty	Remarks
1	(3N0-23101-00-00)	FRONT FORK ASSEMBLY	1	
2	2F0-23126-00-00	. TUBE, OUTER 1	1	
3	2F0-23136-00-00	. TUBE, OUTER 2	1	
4	1T3-23145-00-00	.. OIL SEAL	2	
5	341-23146-50-00	.. WASHER, OIL SEAL	2	
6	341-23156-50-00	.. CLIP, OIL SEAL	2	
7	90116-08261-00	.. BOLT, STUD	2	
8	1W1-23173-L0-00	. SPINDLE, TAPER	2	
9	2F0-23110-00-00	. INNER TUBE 1	2	
10	(2F0-23151-00-00)	SPRING, REBOUND	2	
11	2F0-23157-00-00	. RING, PISTON FRTRFRK	2	
12	2F0-23170-00-00	. CYLINDER, FRTRFRK	2	
13	(2F0-23141-10-00)	SPRING, FRONT FORK	2	OPTIONAL PARTS(HEAVY DUTY)
	2F0-23141-00-00	. SPRING, FRONT FORK	2	
14	1T3-23144-50-00	. SEAL, DUST	2	
15	(1T3-23146-50-00)	WASHER, OIL SEAL	2	
16	1T3-23163-51-00	. GASKET	4	
17	(1T3-23122-51-00)	COVER, OUTER 1	2	
18	1T3-23116-51-00	. GUIDE, COVER LOWER	2	
19	2F0-23149-00-00	. WASHER, SPRING UPR	2	
20	2F0-23114-00-00	. GASKET	2	
21	2F0-23111-00-00	. BOLT, CAP	2	
22	2F0-23168-00-00	. CAP, FRONT FORK	2	
23	1U3-23340-30-33	. UNDER BRACKET	1	YAMAHA BLACK
24	18G-23128-00-00	. BOLT, W/WASHER	4	
25	341-23167-50-00	. HOLDER, AXLE	1	
26	90185-08089-00	. NUT, SELF-LOCKING	2	
27	92901-08600-00	. WASHER	2	

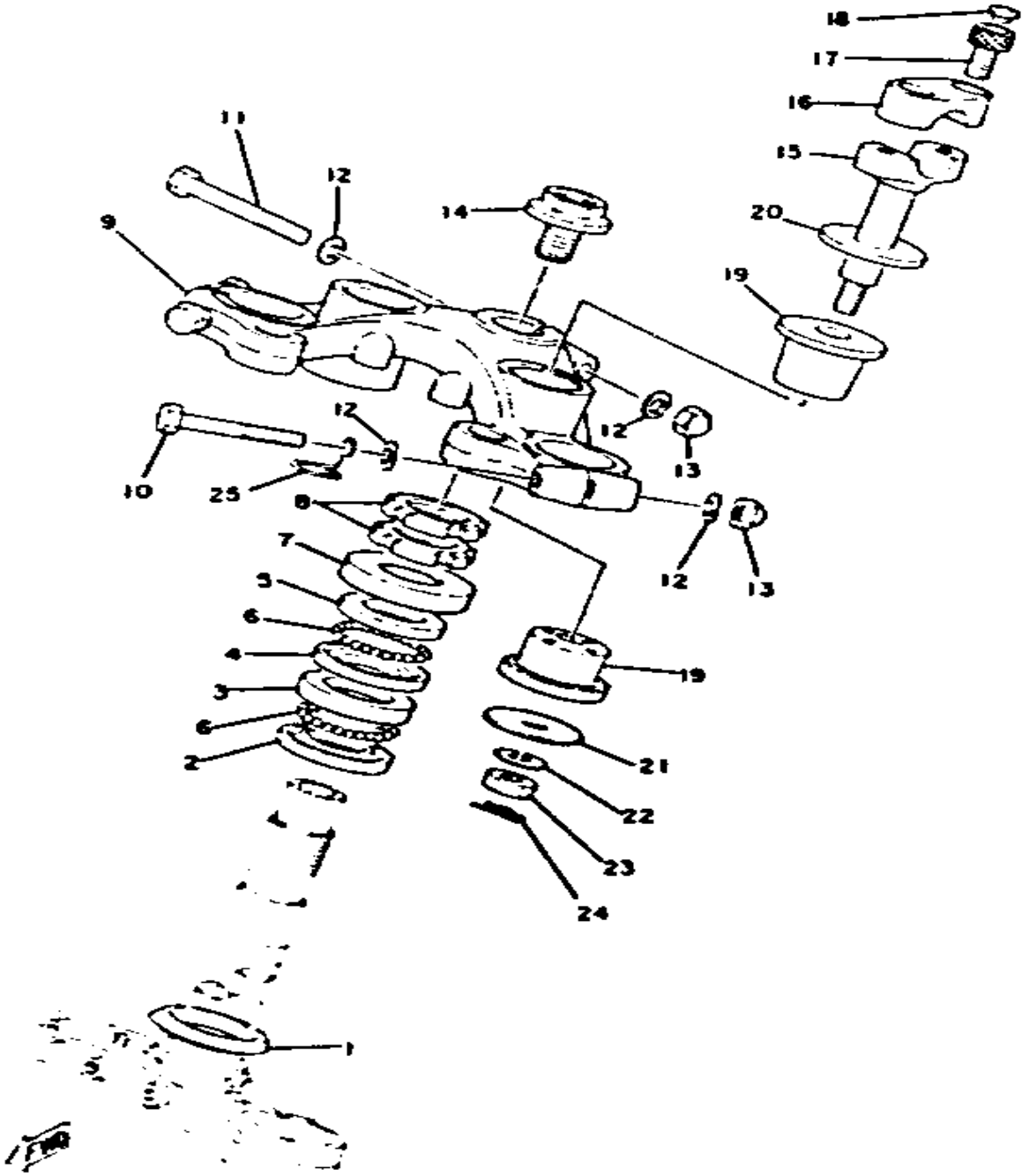
CONTINUED ON NEXT FRAME ►

# FRONT FORK



Ref. No.	Part Number	Description	Qty	Remarks
28	278-23181-50-00	. BOLT, HEXAGON SOCKET HEAD .....	2	
29	509-23158-L0-00	. GASKET .....	2	
30	4H7-23119-00-00	. PLUG, DRAIN - (122-23119-01) .....	2	
	98580-04008-00	. SCREW, PAN HEAD .....	2	
31	122-23129-00-00	. GASKET, DRAIN PLUG .....	2	
32	2M0-23121-00-93	COVER, UPPER 1 .....	1	
33	2M0-23131-00-93	COVER, UPPER 2 .....	1	

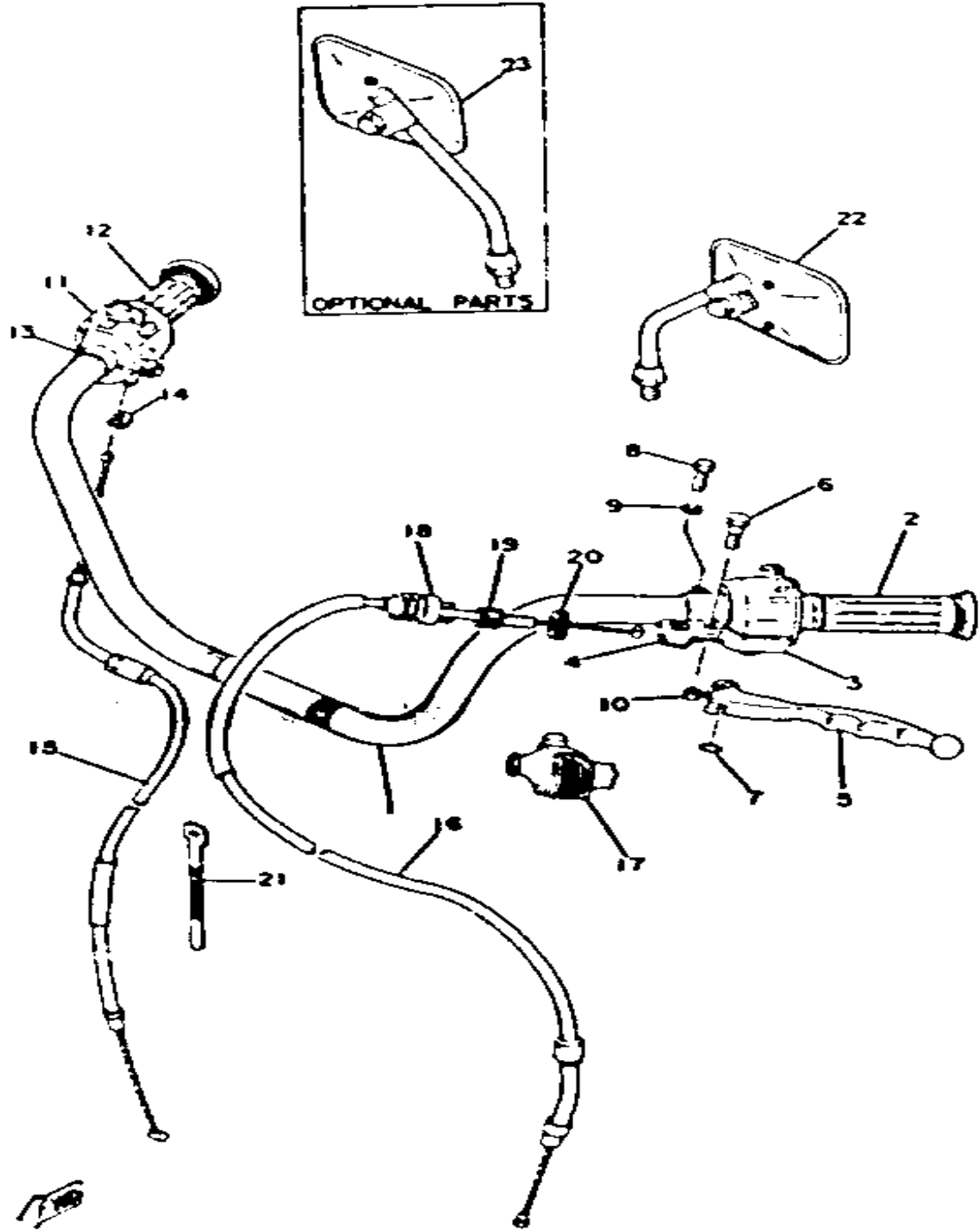
# STEERING



Ref. No.	Part Number	Description	Qty	Remarks
1	164-23462-00-00	SEAL, STEERING .....	1	
2	256-23411-00-00	RACE, BALL 1 .....	1	
3	256-23412-00-00	RACE, BALL 2 .....	1	
4	256-23413-00-00	RACE, BALL 3 .....	1	
5	256-23414-00-00	RACE, BALL 4 .....	1	
6	93501-04011-00	BALL .....	38	
7	136-23415-00-00	COVER, BALL RACE 1 .....	1	
8	90179-25033-00	NUT .....	2	
9	2M0-23435-00-98	CROWN, HANDLE .....	1	LOW GLOSS BLK
10	97313-08055-00	BOLT, HEXAGON .....	2	
11	97021-08065-00	BOLT .....	1	
12	92901-08600-00	WASHER .....	6	
13	95303-08800-00	NUT (CROWN) (95301-08800) .	3	
14	90105-14102-00	BOLT, WASHER BASED .....	1	
15	1E6-23442-00-00	HOLDER, HANDLE LWR .....	2	LOW GLOSS BLK
16	360-23441-01-98	HOLDER, HANDLE UPR .....	2	LOW GLOSS BLK
17	91316-08025-00	BOLT, SOCKET HEAD .....	4	
18	341-23469-00-00	CAP, BOLT .....	4	
19	1T4-23434-00-00	HOLDER, DAMPER .....	4	
20	90209-12151-00	WASHER, SPEC'L SHAP .....	2	
21	90201-10149-00	WASHER, PLATE .....	2	
22	92990-10100-00	WASHER, SPRING .....	2	
23	95303-10700-00	NUT .....	2	
24	90468-12006-00	CLIP .....	2	
25	4H7-23317-00-00	HOLDER, CABLE .....	1	

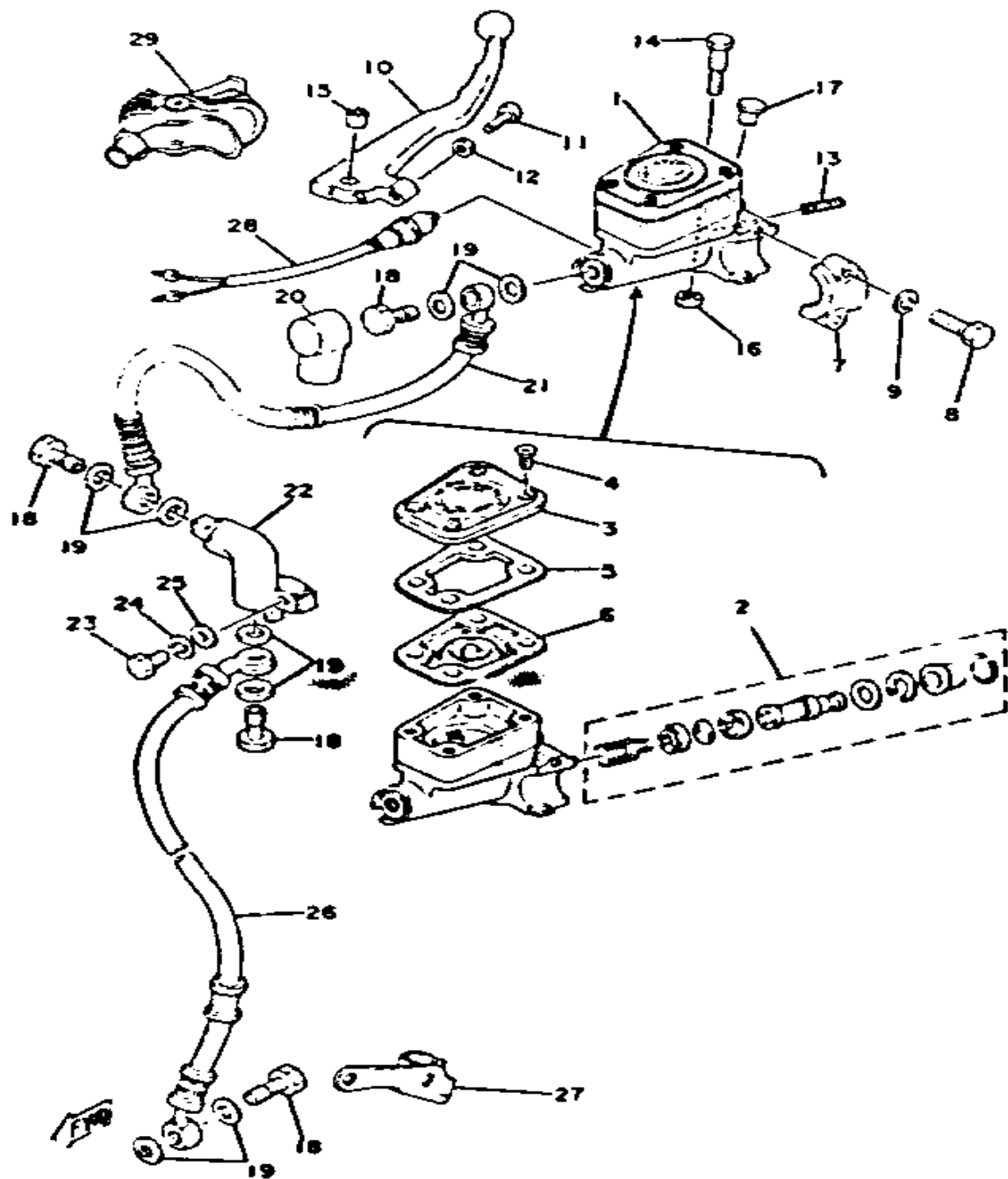


# HANDLE - WIRE



Ref. No.	Part Number	Description	Qty	Remarks
1	3H3-26111-00-00	HANDLEBAR .....	1	
2	2H7-26241-00-00	GRIP LH .....	1	
3	1T3-83973-00-00	SWITCH, HANDLE 3 .....	1	
4	341-82911-00-00	HOLDER, LEVER 1 .....	1	LOW GLOSS BLK
5	2H0-83912-30-00	LEVER L .....	1	LOW GLOSS BLKSEE NOTE FOR POWER LEVER SET
6	2H7-83945-00-00	BOLT, LEVER .....	1	
7	93210-11368-00	O-RING .....	1	
8	97003-06022-00	BOLT, HEXAGON (97301-06022)	1	
9	92995-06100-00	WASHER, SPRING .....	1	
10	95601-06100-00	NUT, U .....	1	
11	2L0-83975-01-98	SWITCH, HANDLE 2LR .....	1	LOW GLOSS BLK
12	2H7-26240-00-00	GRIP ASSEMBLY RH .....	1	
13	90387-22660-00	COLLAR .....	1	
14	584-26393-02-00	HOLDER .....	1	
15	2M0-26311-01-00	CABLE, THROTTLE 1 .....	1	
16	2M0-26335-00-00	CABLE, CLUTCH .....	1	
17	1E6-26372-00-00	COVER, HANDLE LEVER 1 ...	1	
18	1E6-26342-00-00	BOOT, CABLE .....	1	
19	90123-08046-00	BOLT .....	1	
20	90179-08148-00	NUT .....	1	
21	437-83936-01-00	BAND, SWITCH CORD .....	4	
22	2G2-26290-10-00	MIRROR ASSEMBLY LH .....	1	
23	2G2-26290-00-00	MIRROR ASSEMBLY RH .....	1	

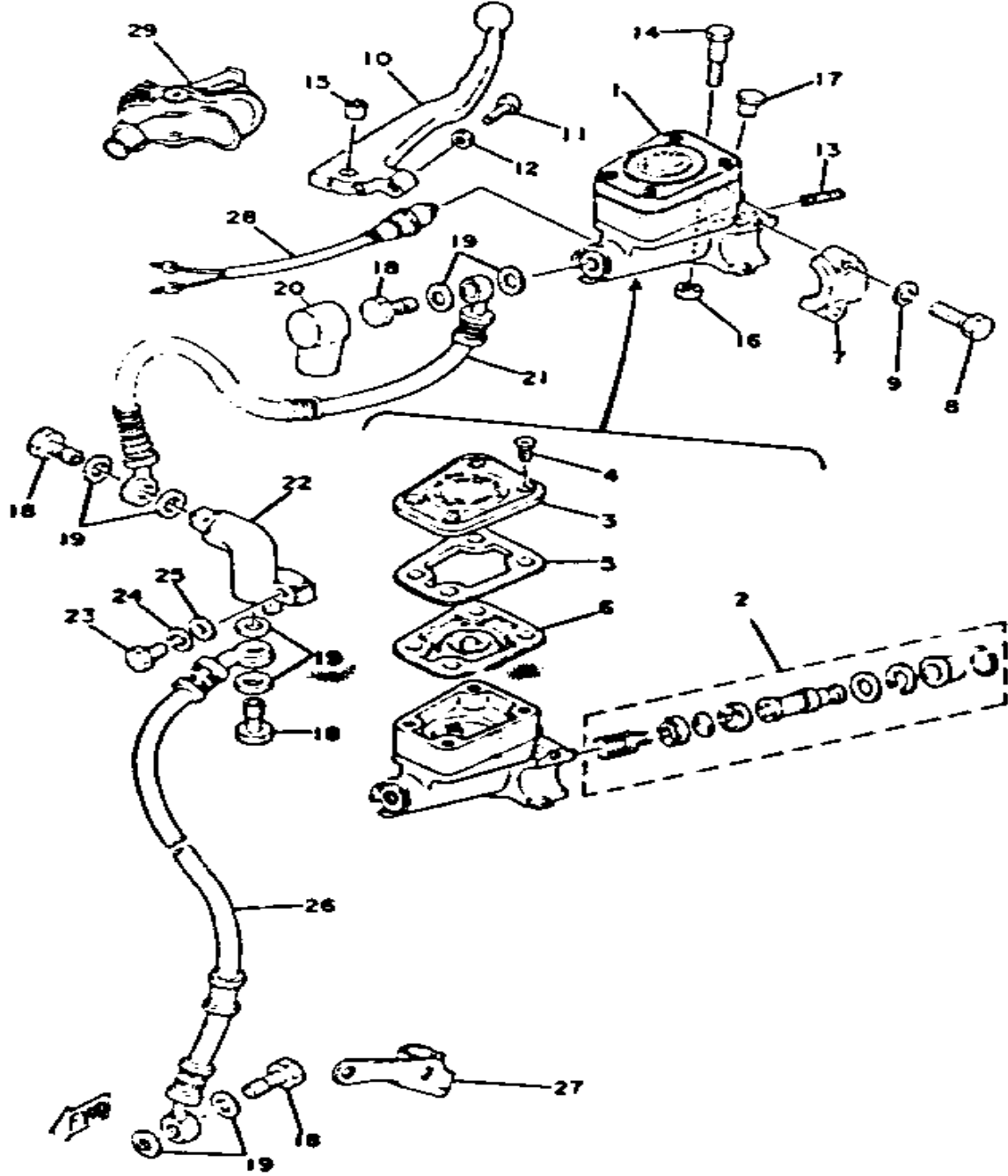
# FRONT MASTER CYLINDER - BRAKE HOSE



Ref. No.	Part Number	Description	Qty	Remarks
1	2M0-25850-00-00	MSTR CYLINDER ASSEMBLY	1	
2	535-W0041-60-00	. CYLINDER KIT, MASTER	1	
3	1J3-25852-01-00	. CAP, RESERVOIR	1	
4	98706-05030-00	. SCREW, FLAT HEAD	4	
5	1J3-25855-01-00	. BUSH, DIAPHRAGM	1	
6	1J3-25854-01-00	. DIAPHRAGM RESERVOR	1	
7	1J3-25867-00-00	BRACKET, MASTER CYLINDER (341-25867-00)	1	
8	97313-06025-00	BOLT, HEXAGON	2	
9	92995-06100-00	WASHER, SPRING	2	
10	2H7-83922-20-00	LEVER R	1	LOW GLOSS BLK
11	90149-06131-00	SCREW	1	
12	90170-06010-00	NUT	1	
13	90501-10312-00	SPRING, COMPRESSION	1	
14	90109-06465-00	BOLT	1	
15	90386-08094-00	BUSH, SPEC"L NYLON	1	
16	95601-06100-00	NUT, U	1	
17	90338-09012-00	PLUG	1	
18	90401-10034-00	BOLT, UNION	4	
19	90201-10118-00	WASHER, PLATE	8	
20	306-25862-00-00	BOOT, MASTER CYLINDER	1	
21	2M0-25872-00-00	HOSE, BRAKE 1	1	
22	1J7-25885-01-00	JOINT	1	
23	97011-06025-00	BOLT (97001-06025)	1	
24	92995-06100-00	WASHER, SPRING	1	
25	92901-06600-00	WASHER	1	
26	1T3-25873-00-00	HOSE, BRAKE 2	1	
27	1J3-25875-02-00	HOLDER, BRKE HOSE 1	1	
28	1A0-83980-30-00	STOP SWITCH ASSEMBLY	1	

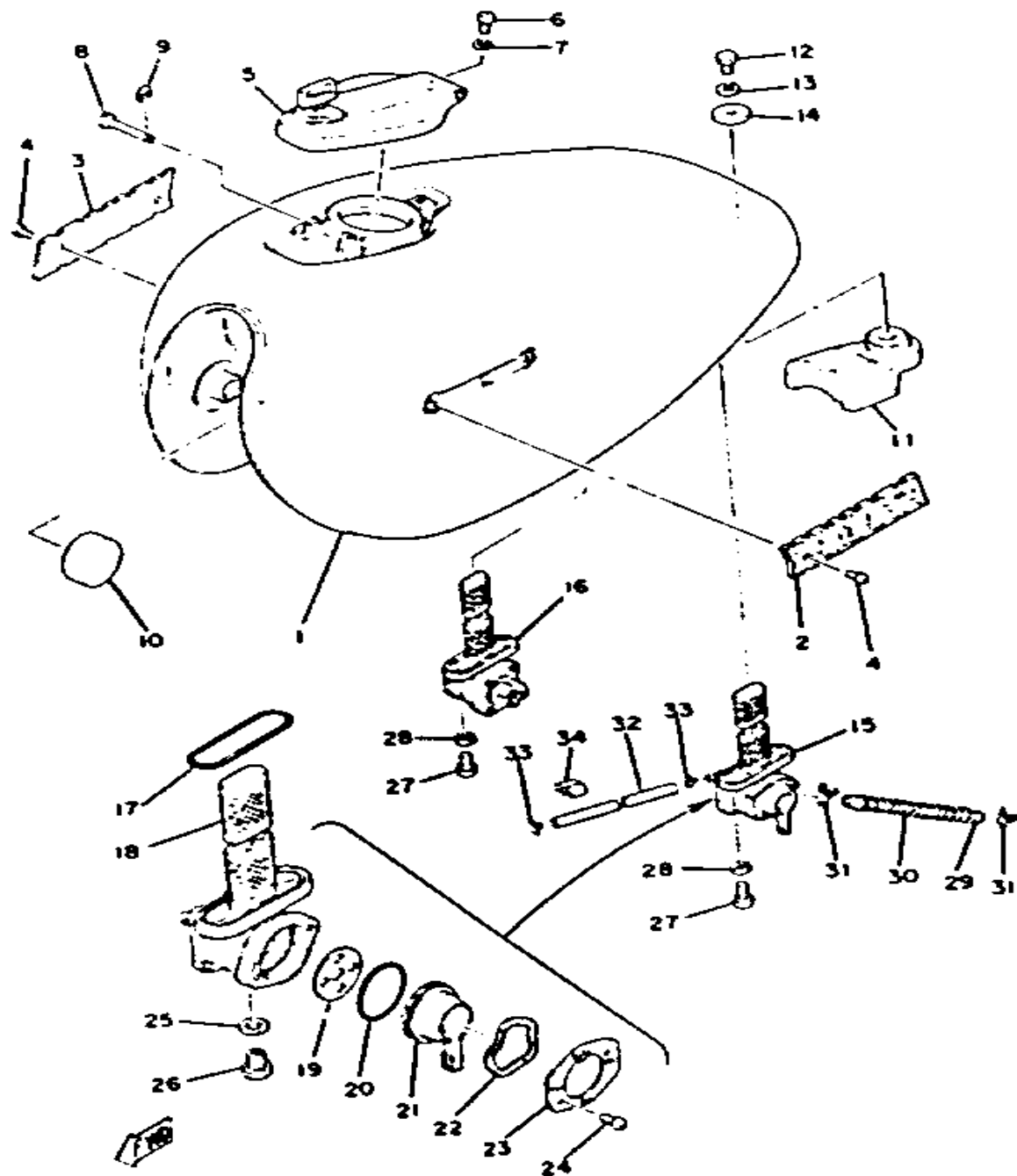
CONTINUED ON NEXT FRAME ►

# FRONT MASTER CYLINDER - BRAKE HOSE



Ref. No.	Part Number	Description	Qty	Remarks
29	1T5-26372-00-00	COVER, HANDLE LEVER	.... 1	

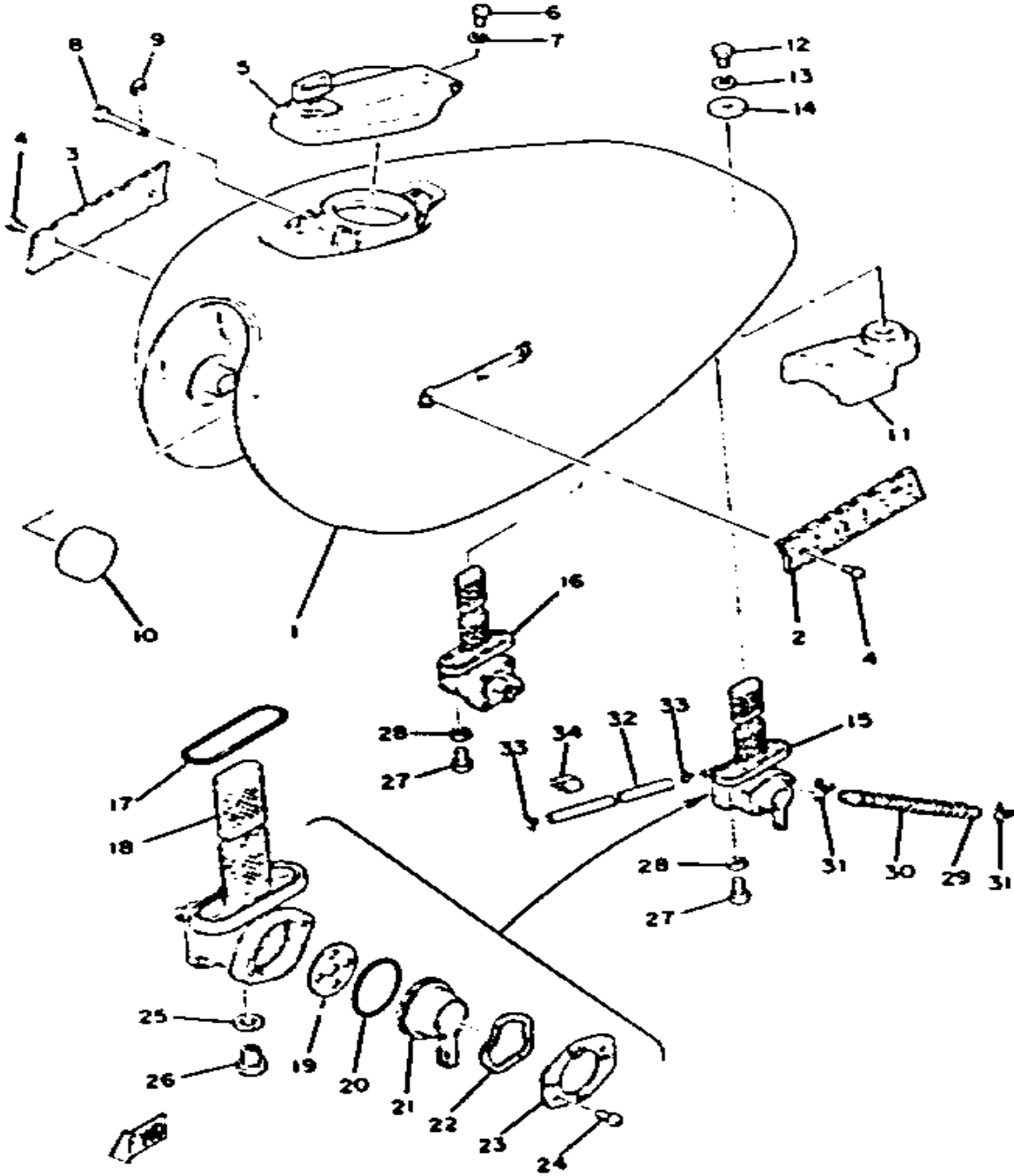
# FUEL TANK



Ref. No.	Part Number	Description	Qty	Remarks
1	(2M0-24110-00-6G)	FUEL TANK	1	NEW YAMAHA BLK
2	2M0-24161-00-00	EMBLEM 1	1	
3	2M0-24162-00-00	EMBLEM 2	1	
4	90152-04006-00	SCREW, COUNTERSUNK	4	
5	4R0-24602-01-00	CAP ASSEMBLY	1	
6	98580-05010-00	SCREW, PAN HEAD	1	
7	92990-05100-00	WASHER, SPRING	1	
8	90249-03123-00	PIN, SPEC'L SHAPE	1	
9	93430-02001-00	CIRCLIP	1	
10	278-24181-00-00	DAMPER, LOCATING 1	2	
11	256-24181-01-00	DAMPER, LOCATING 1	1	
12	97011-06016-00	BOLT	1	
13	92995-06100-00	WASHER, SPRING	1	
14	90201-06075-00	WASHER, PLATE	1	
15	2M0-24500-04-00	FUEL COCK ASSEMBLY 1 (2M0-24500-03)	1	
16	2M0-24510-04-00	FUEL COCK ASSEMBLY 2 (2M0-24510-02)	1	
17	2G2-24512-00-00	. GASKET	2	
19	16G-24523-00-00	. VALVE	2	
20	2G2-24534-00-00	. SEAL, COCK	2	
21	(2G2-24524-00-00)	LEVER, COCK	1	
	(2G2-24524-10-00)	LEVER, COCK	1	
22	16G-24518-00-00	. WASHER, WAVE	2	
23	(2G2-24525-00-00)	PLATE, LVR FITTING	1	
	2G2-24525-10-00	. PLATE, LVR FITTING	1	
24	98580-03008-00	. SCREW, PAN HEAD	4	
25	2G2-24522-00-00	. GASKET	2	
26	2G2-24543-00-00	. PLUG, DRAIN	2	

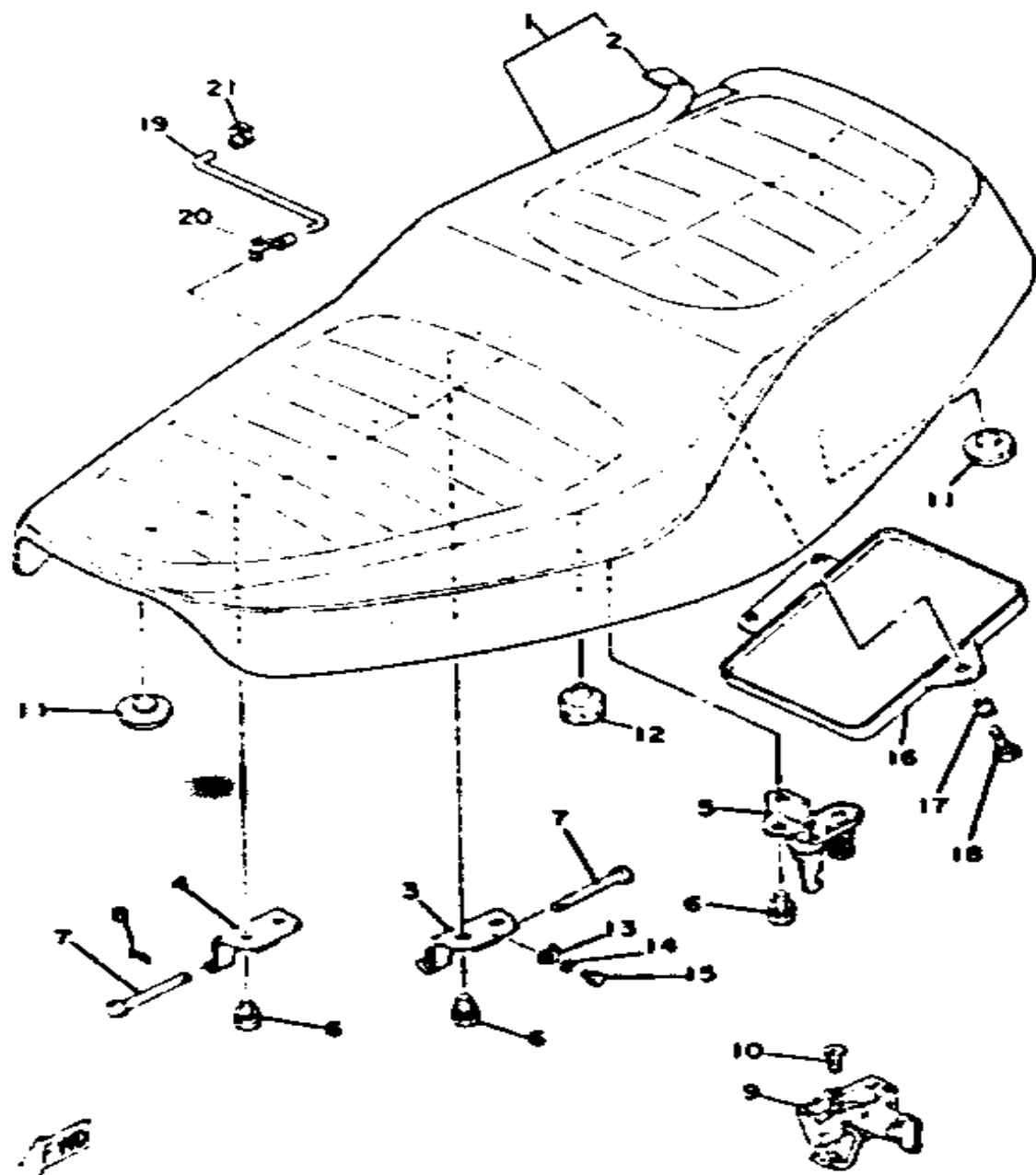
CONTINUED ON NEXT FRAME ►

# FUEL TANK



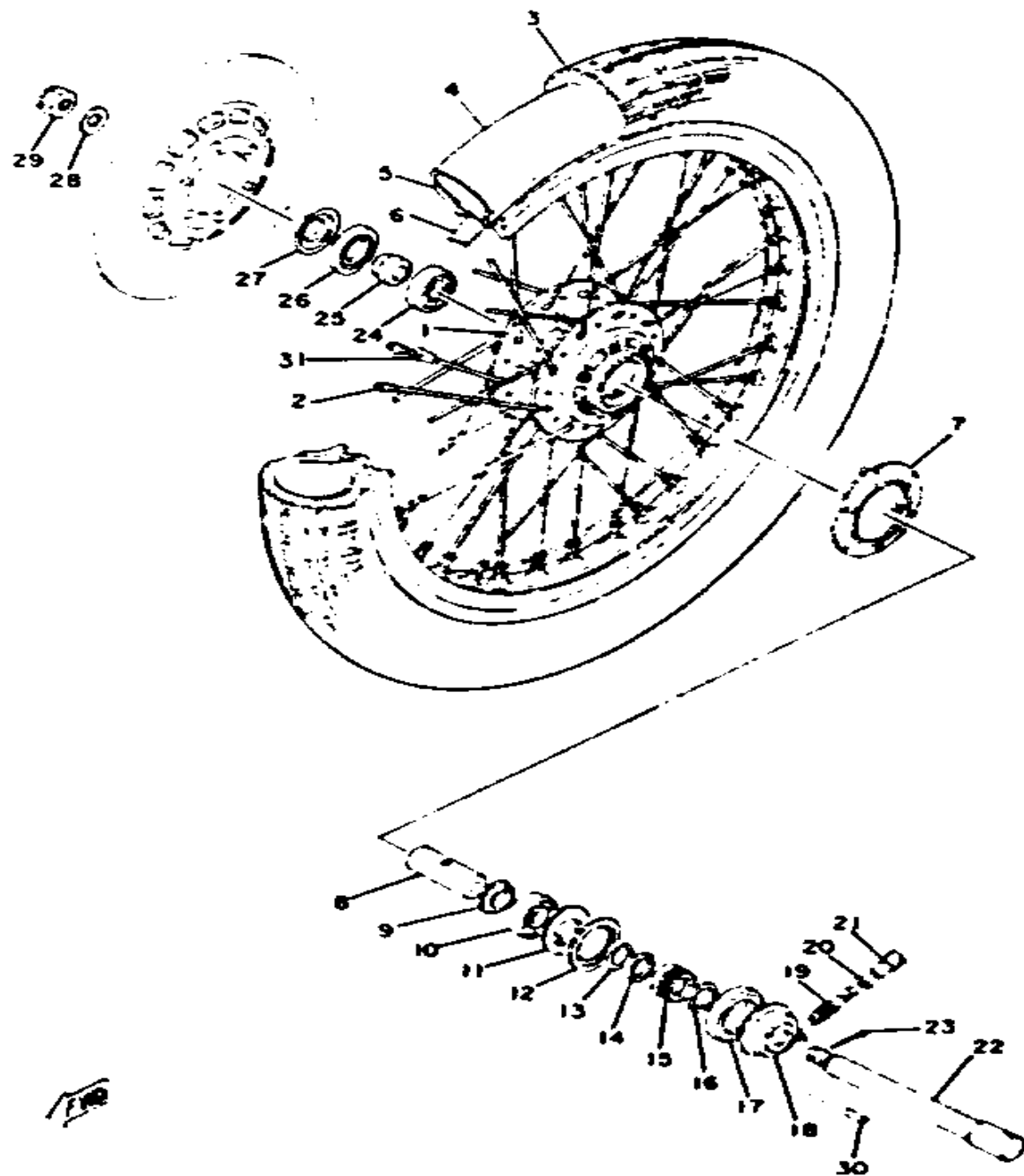
Ref. No.	Part Number	Description	Qty	Remarks
27	90149-06008-00	SCREW	4	
28	90202-05187-00	WASHER, PLATE	4	
29	90445-10386-00	HOSE	2	
30	90504-06023-00	SPRING, COMPRESSION	2	
31	90467-09006-00	CLIP	4	
32	90445-07370-00	HOSE (L850)	2	
33	90467-07029-00	CLIP	4	
34	90464-60067-00	CLAMP	2	

# SEAT



Ref. No.	Part Number	Description	Qty	Remarks
1	3N0-W2472-00-00	DOUBLE SEAT ASSEMBLY (3N0-24730-90)	1	
2	2M0-24731-00-00	. COVER, DOUBLE SEAT	1	
3	389-24726-00-33	HINGE, SEAT	1	YAMAHA BLACK
4	307-24726-00-33	HINGE, SEAT	1	YAMAHA BLACK
5	2M0-24728-01-00	BRACKET, SEAT (2M0-24728-00)	1	
6	90101-06304-00	BOLT	6	
7	91701-05055-00	PIN, CLEVIS	2	
8	90468-10050-00	CLIP	1	
9	584-24705-00-00	SEAT LOCK ASSEMBLY	1	
10	98706-06012-00	SCREW, FLAT HEAD	2	
11	1L9-24741-00-00	PAD, SEAT	4	
12	371-27114-00-00	STOPPER, MAIN STAND	1	
13	389-24756-00-00	COVER, TAIL	1	
14	92995-06100-00	WASHER, SPRING	1	
15	97011-06010-00	BOLT	1	
16	2R6-28185-00-00	LID	1	
17	90480-06007-00	GROMMET (341-28187-00)	1	
18	341-28188-00-00	PLUNGER	1	
19	2M0-24768-00-00	STOPPER	1	
20	1J7-24718-00-00	BRACKET, SEAT	1	
21	1J7-24719-00-00	STAY, REAR	1	

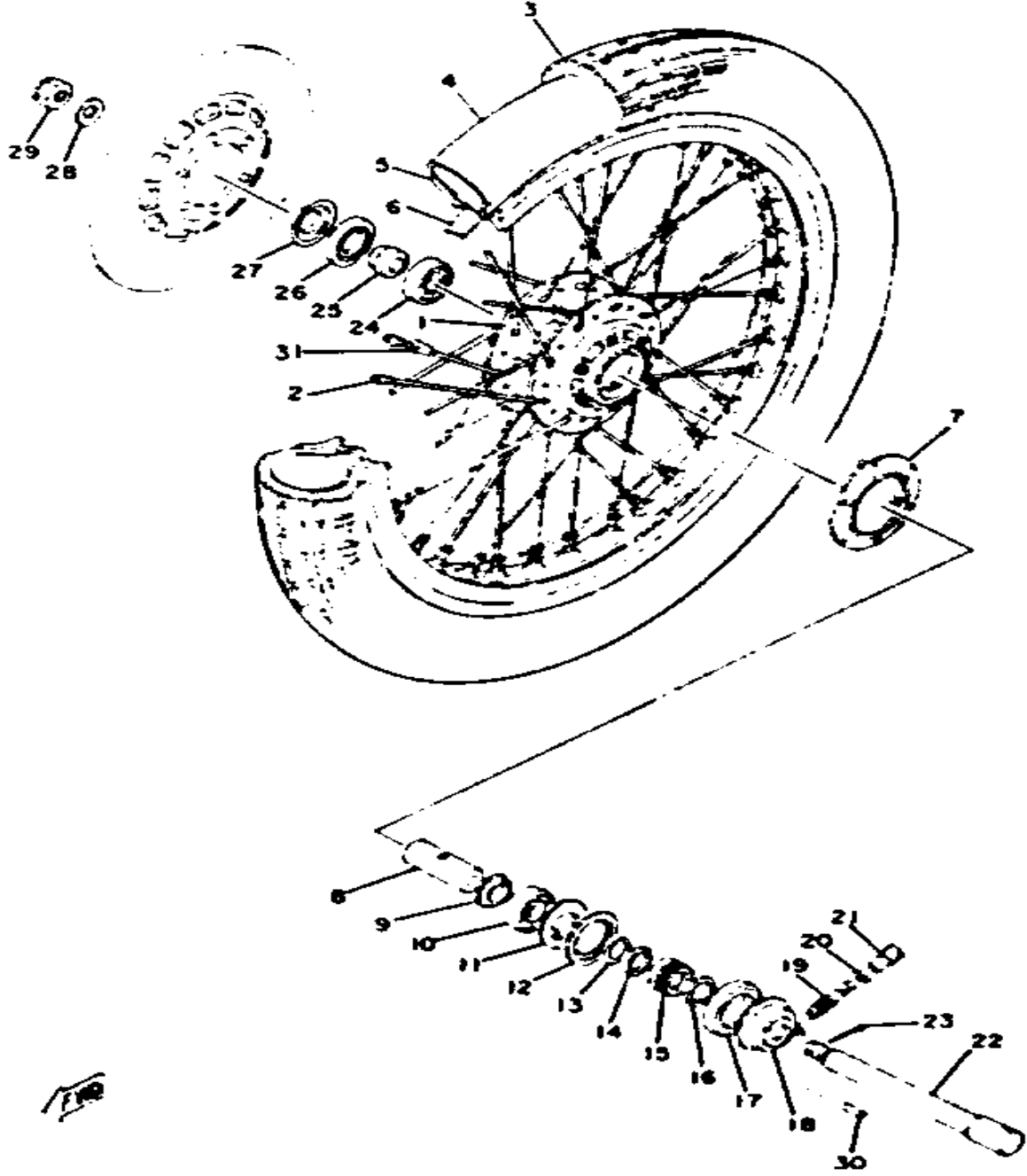
# FRONT WHEEL



Ref. No.	Part Number	Description	Qty	Remarks
1	341-25111-01-00	HUB, FRONT	1	
2	341-25104-00-00	SPOKE SET, FRONT	1	
3	(94135-19389-00)	350S19 21F	1	
4	94210-19224-00	TUBE (100/90-19 TR4 BTL)	1	
5	(94418-19210-00)	RIM 1.85X 9	1	
6	94327-19111-00	BAND, RIM (3.50-19) (94335-19026-00)	1	
7	1L9-25847-00-00	COVER, HOUSING	1	
8	90560-17126-00	SPACER	1	
9	146-25315-00-00	FLANGE, SPACER	1	
10	93306-30309-00	BEARING	1	
11	341-25149-00-00	CLUTCH, METER	1	
12	341-25846-00-00	RETAINER, CLUTCH	1	
13	341-25137-00-00	RING, STOP	1	
14	90201-25286-00	WASHER, PLATE (341-25147-00)	1	
15	341-25135-01-00	GEAR, DRIVE	1	
16	90201-25490-00	WASHER, PLATE	1	
17	93102-28022-00	OIL SEAL	1	
18	341-25190-01-00	GEAR UNIT ASSEMBLY	1	
19	306-25138-00-00	GEAR, METER	1	
20	102-18416-00-00	SHIM, ROD	1	
21	306-25136-00-00	BUSH	1	
22	341-25181-01-00	AXLE, WHEEL	1	
23	91401-30030-00	PIN, COTTER	1	
24	93306-30309-00	BEARING	1	
25	90387-17433-00	COLLAR	1	
26	93105-45017-00	OIL SEAL	1	
27	341-25118-00-00	COVER, hub dust	1	

CONTINUED ON NEXT FRAME ►

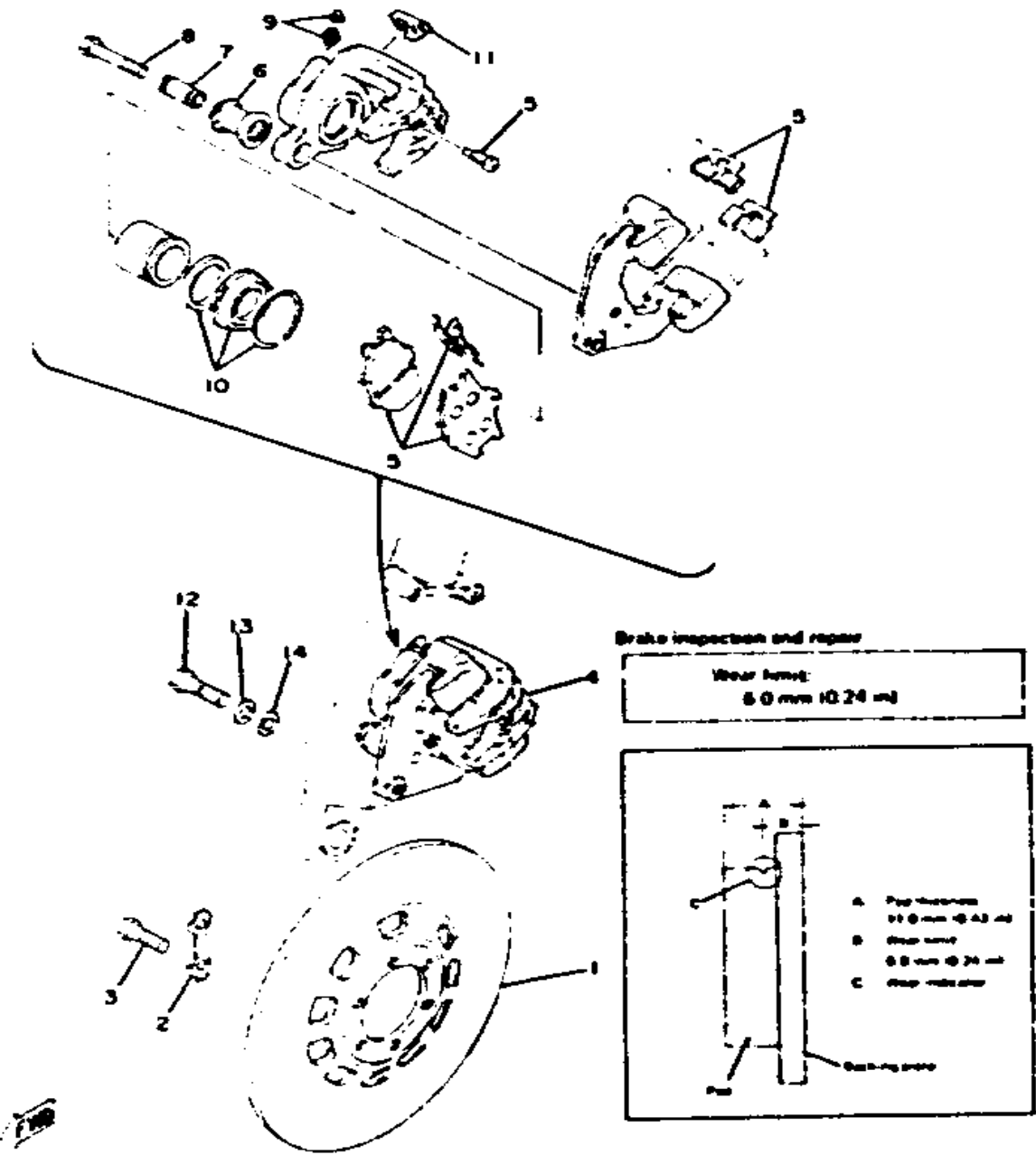
# FRONT WHEEL



Ref. No.	Part Number	Description	Qty	Remarks
28	92990-14200-00	WASHER, PLAIN .....	1	
29	90171-14020-00	NUT, CASTLE .....	1	
30	91609-20014-00	PIN, SPRING .....	1	
31	156-25398-00-00	BALANCER, WHEEL .....	1	

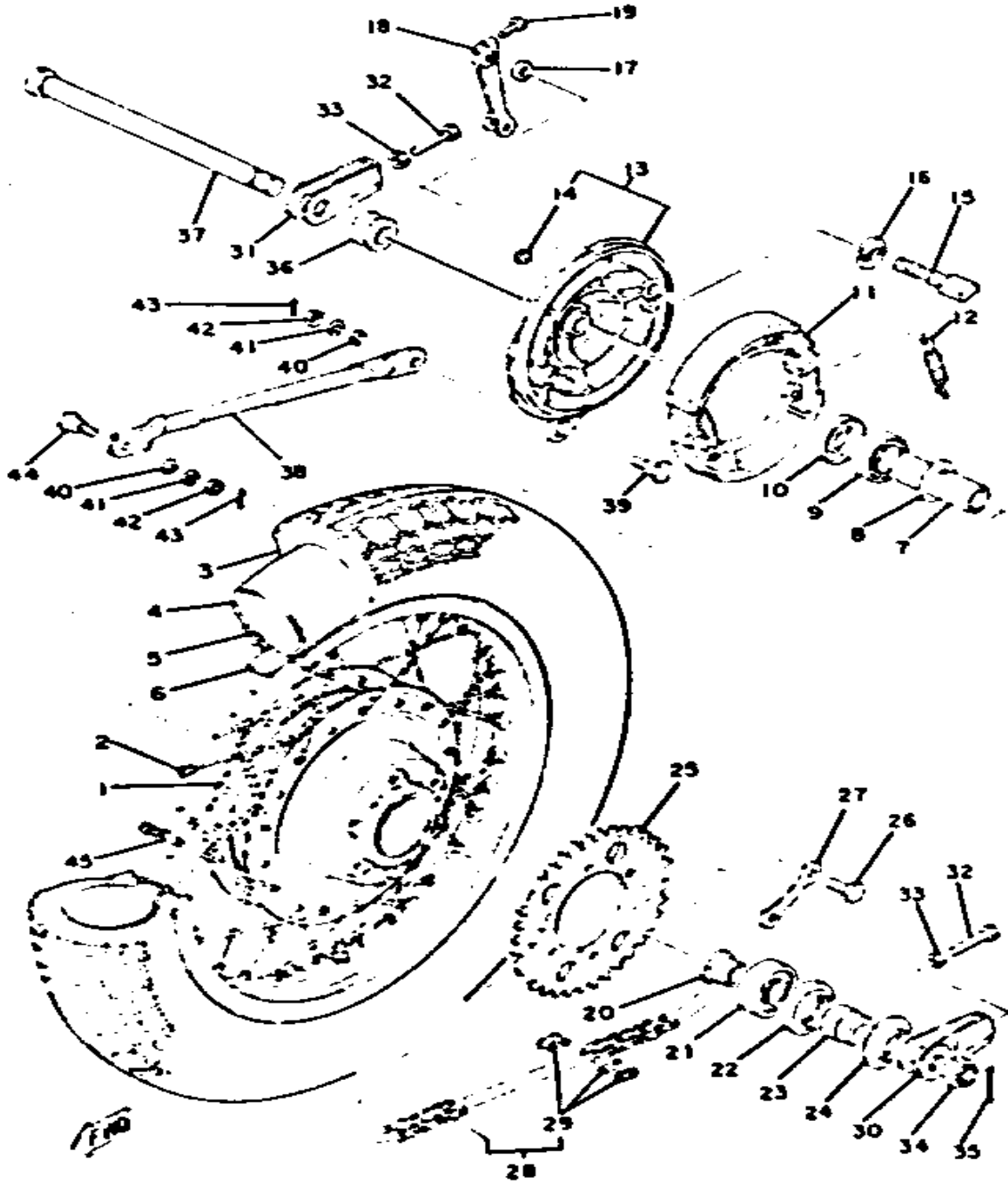


# FRONT DISC BRAKE - CALIPER



Ref. No.	Part Number	Description	Qty	Remarks
1	(1J3-25831-00-00)	DISC, BRAKE .....	1	
2	1J3-25834-01-00	WASHER, LOCK .....	3	
3	90101-08312-00	BOLT .....	6	
4	3H5-25810-02-00	CALIPER ASSEMBLY RH ....	1	
5	4K0-W0045-01-00	. BRAKE PAD KIT, FRNT .....	1	
6	1J3-25917-00-00	. BOOT, CALIPER .....	1	
7	1J3-25838-00-00	. SLEEVE, CALIPER .....	1	
8	90105-08145-00	. BOLT, WASHER BASED ....	1	
9	1J3-W0048-00-00	. BLEED SCREW KIT .....	1	
10	1J3-W0047-00-00	. CALIPER SEAL KIT .....	1	
11	1J3-25845-01-00	. CAP, INDICATOR .....	1	
12	90105-10638-00	BOLT, WASHER BASED .....	2	
13	92990-10100-00	WASHER, SPRING .....	2	
14	92990-10200-00	WASHER, PLAIN .....	2	

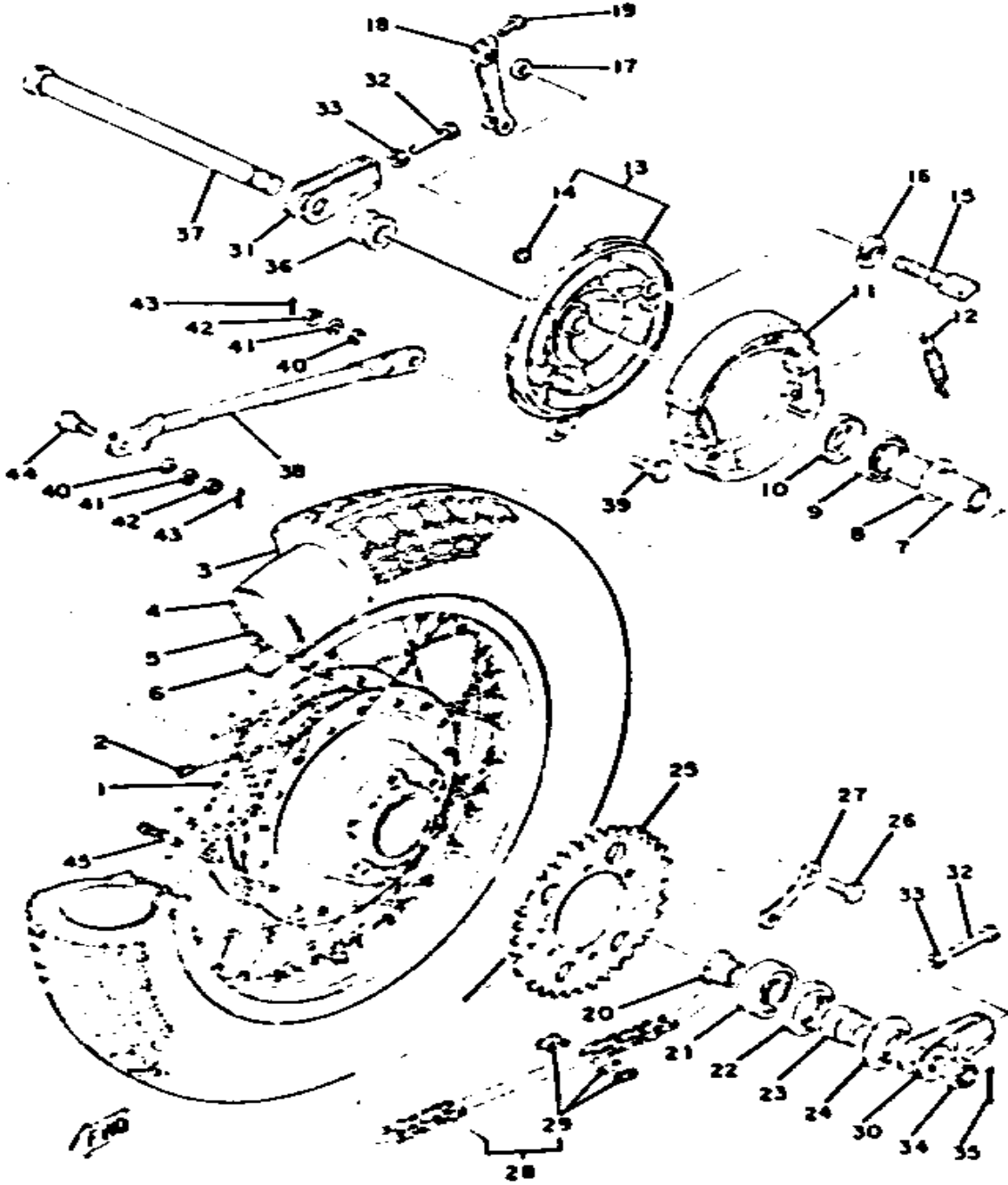
# REAR WHEEL



Ref. No.	Part Number	Description	Qty	Remarks
1	(256-25311-00-00)	HUB, REAR	1	
2	2M1-25304-00-00	SPOKE SET, REAR	1	
3	(94113-16388-00)	130/90S16 S21R	1	
4	94213-16135-00	TUBE 130/90- 6	1	
5	(94427-16213-00)	RIM 2.75X 6	1	
6	94330-16058-00	BAND, RIM (3.00-16)	1	
7	90560-20135-00	SPACER	1	
8	4V4-25315-00-00	FLANGE, SPACER	1	
9	93306-30417-00	BEARING (B6304ZZ)	1	
10	93104-27026-00	OIL SEAL, SO-TYPE	1	
11	4L0-W2536-00-00	BRAKESHOE SET-2PCS	2	
12	90507-20002-00	SPRING, TENSION	2	
13	(1T3-25026-00-00)	BRAKE SHOE PLT ASSEMBLY	1	
14	90480-10068-00	. GROMMET	1	
15	1T3-25351-00-00	CAMSHAFT	1	
16	90201-14218-00	WASHER, PLATE	1	
17	148-25359-00-00	SEAL, CAMSHAFT	1	
18	341-25355-00-00	LEVER, CAMSHAFT	1	
19	90101-06291-00	BOLT	1	
20	90387-20166-00	COLLAR	1	
21	93306-30507-00	BEARING	1	
22	93102-35065-00	OIL SEAL, SD-TYPE	1	
23	90387-20176-00	COLLAR	1	
24	256-25367-00-00	COVER, HUB DUST	1	
25	256-25434-20-33	SPROCKET, DRIVN 34T	1	
26	90105-10007-00	BOLT, WASHER BASED	6	
27	256-25412-00-00	WASHER	3	
28	94580-05104-00	50HDS-104L	1	
29	94680-05011-00	. CHAIN JOINT	1	

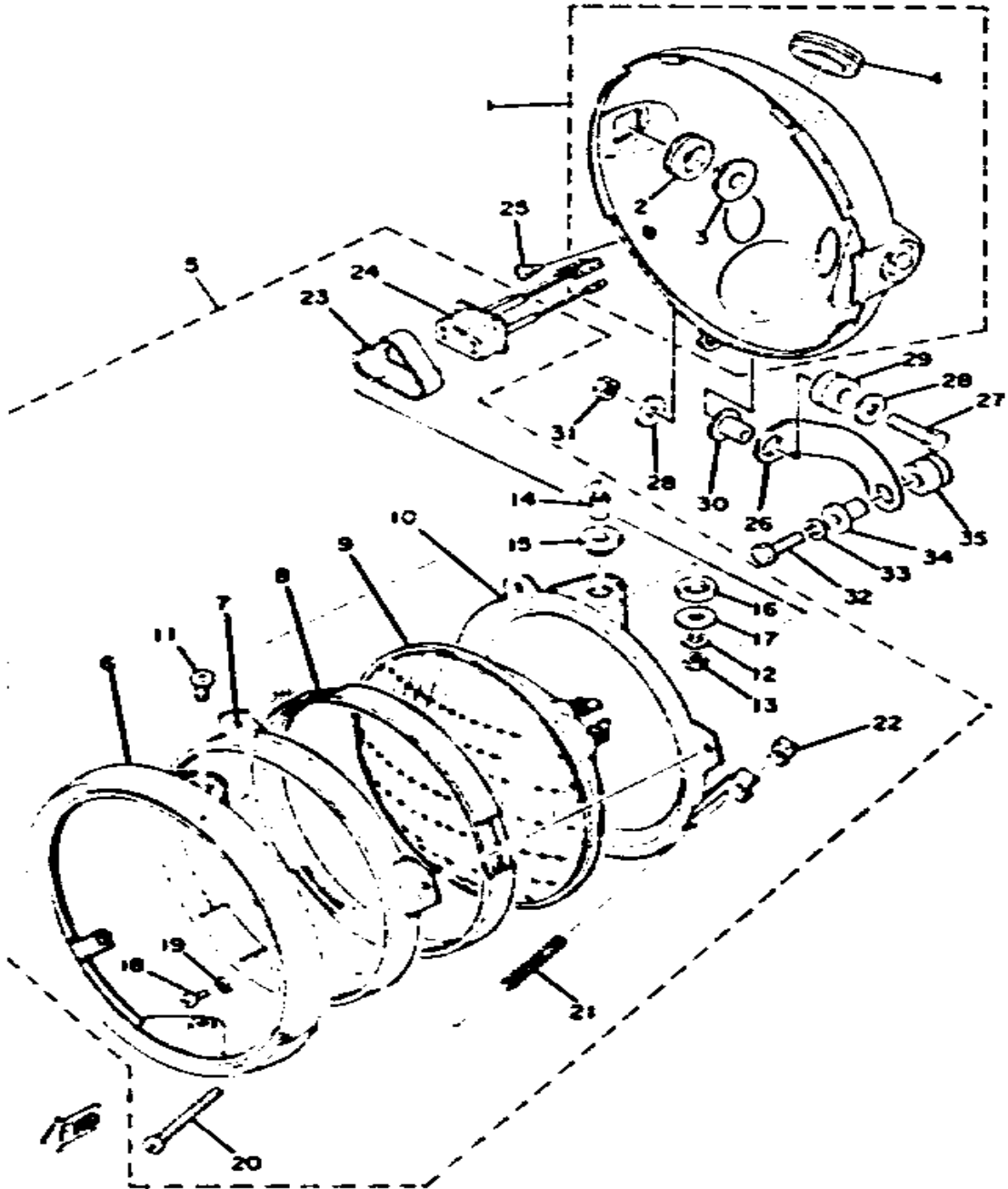
CONTINUED ON NEXT FRAME ➤

# REAR WHEEL



Ref. No.	Part Number	Description	Qty	Remarks
30	341-25389-00-00	PULLER, CHAIN 2	1	
31	341-25388-01-00	PULLER, CHAIN 1	1	
32	90101-08699-00	BOLT	2	
33	90170-08158-00	NUT	2	
34	90171-18043-00	NUT, CASTLE	1	
35	91401-40040-00	PIN, COTTER	1	
36	90387-20444-00	COLLAR	1	
37	341-25381-00-00	AXLE, WHEEL	1	
38	2M1-25371-00-00	BAR, TENSION	1	
39	90109-08338-00	BOLT	1	
40	92901-08600-00	WASHER	2	
41	92990-08100-00	WASHER	2	
42	90170-08158-00	NUT	2	
43	91490-20020-00	PIN, COTTER	2	
44	90109-08374-00	BOLT	1	
45	156-25398-00-00	BALANCER, WHEEL	1	

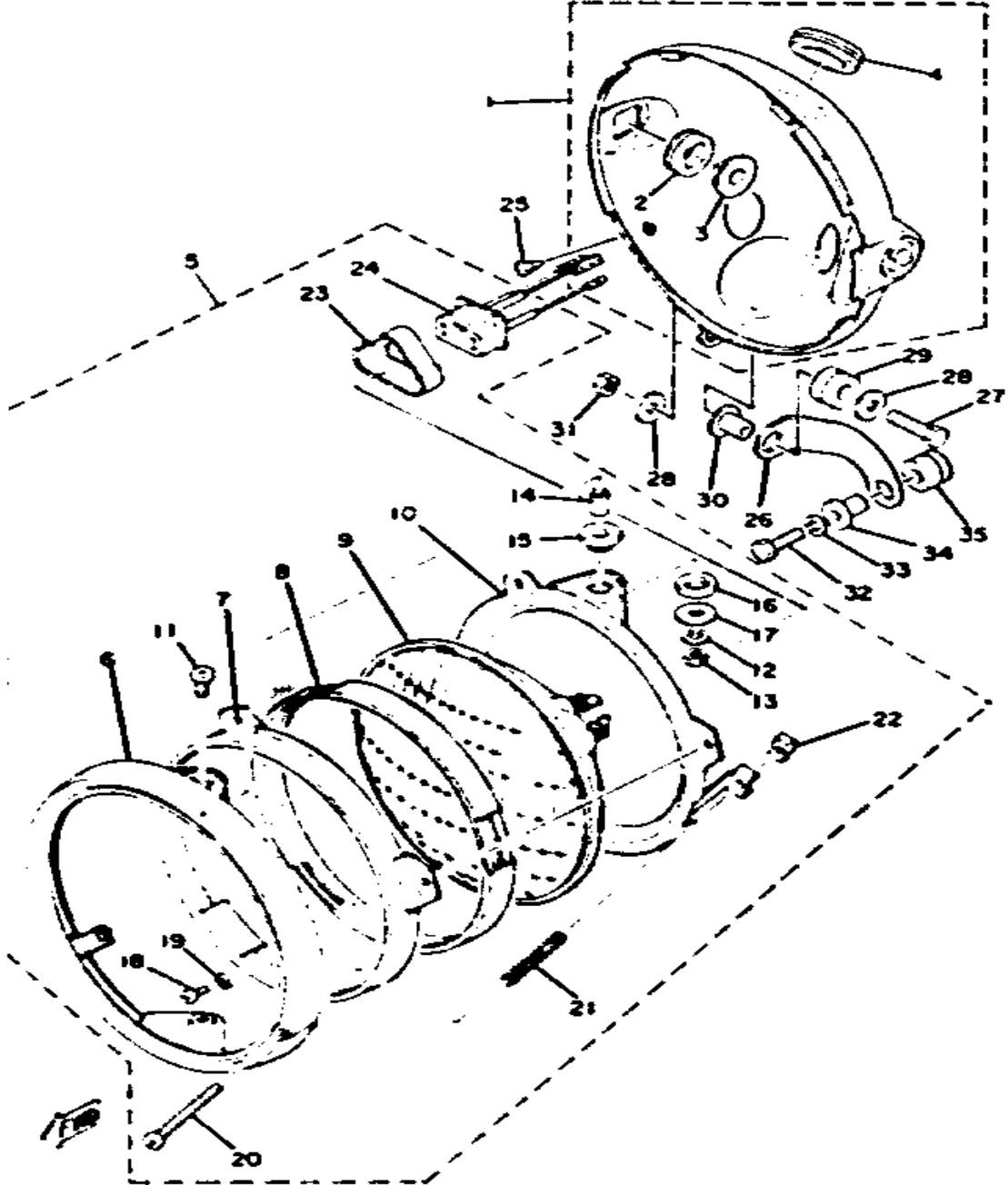
# HEAD LAMP



Ref. No.	Part Number	Description	Qty	Remarks
1	584-84330-62-33	BODY ASSEMBLY .....	1	YAMAHA BLACK
2	584-84345-60-00	. DAMPER, HEADLIGHT .....	2	
3	584-84338-60-00	. COLLAR, BODY FTNG .....	2	
4	214-84153-60-00	. GROMMET, WIREHERNESS .	3	
5	584-84310-61-00	HEADLIGHT UNIT ASSEMBLY .	1	N/A
6	341-84315-40-00	. RIM, HEADLIGHT .....	1	
7	447-84395-60-00	. RING, RETAINING .....	1	
8	447-84322-60-00	. GASKET, LENS .....	1	
9	341-84320-60-00	. LENS ASSEMBLY .....	1	
10	447-84394-69-00	. RING, MOUNTING .....	1	
11	98511-05020-00	. SCREW, PAN HEAD .....	2	
12	92990-05100-00	. WASHER, SPRING .....	2	
13	95380-05600-00	. NUT .....	2	
14	584-84392-60-00	. COLLAR 1 .....	2	
15	584-84393-60-00	. DAMPER .....	2	
16	584-84399-60-00	. DAMPER, MNTNG RNG 1 ...	2	
17	90201-05032-00	. WASHER, PLATE .....	2	
18	98580-04008-00	. SCREW, PAN HEAD .....	3	
19	92901-04100-00	. WASHER, SPRING .....	3	
20	447-84331-61-00	. SCREW, RIM ADJUSTING ...	1	
21	447-84332-60-00	. SPRING, SCREW .....	1	
22	198-84334-60-00	. NUT, ADJUSTING .....	1	
23	341-84397-61-00	. COVER, SOCKET .....	1	
24	371-84312-60-00	. SOCKET .....	1	
25	90152-05005-00	SCREW, COUNTERSUNK .....	2	
26	2M0-84318-00-00	STAY, HEADLIGHT 1 .....	1	
27	97313-06030-00	BOLT, HEXAGON .....	1	
28	90201-06067-00	WASHER, PLATE .....	2	
29	90480-14023-00	GROMMET .....	1	

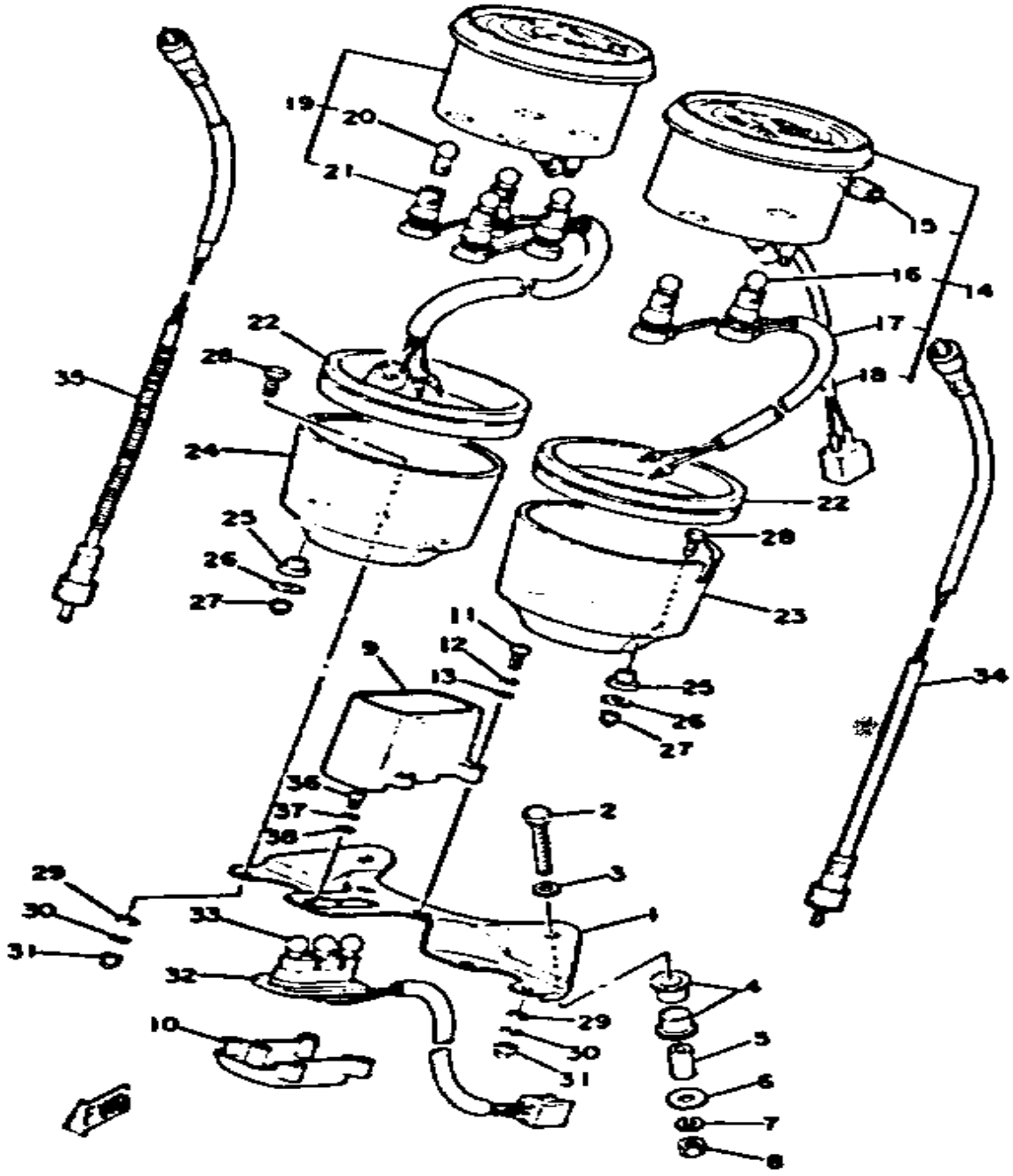
CONTINUED ON NEXT FRAME ►

# HEAD LAMP



Ref. No.	Part Number	Description	Qty	Remarks
30	90387-06388-00	COLLAR .....	1	
31	95380-06600-00	NUT .....	1	
32	97313-06025-00	BOLT, HEXAGON .....	1	
33	92995-06100-00	WASHER, SPRING .....	2	
34	90387-07549-00	COLLAR .....	1	
35	90480-14244-00	GROMMET .....	1	

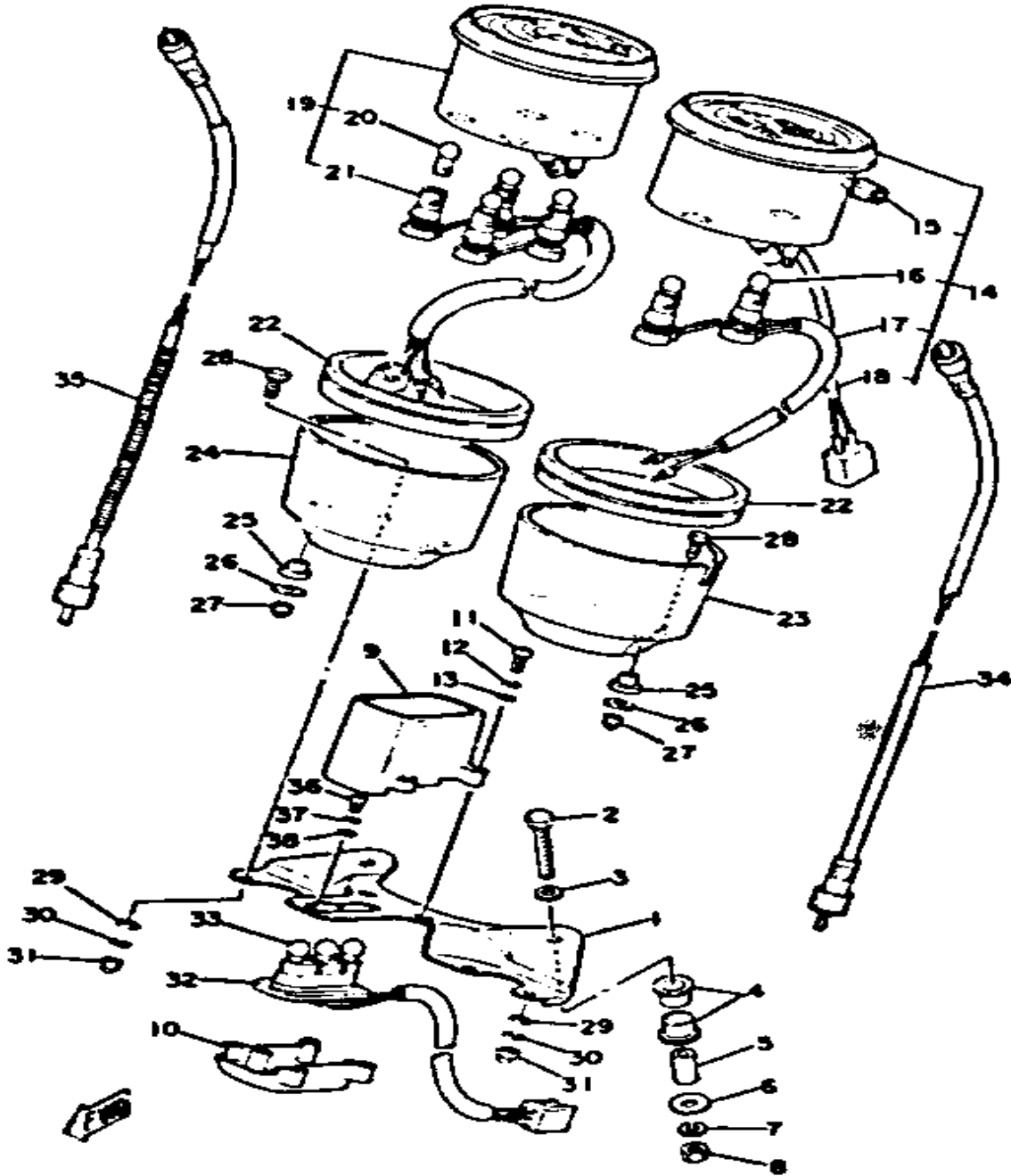
# SPEEDOMETER - TACHOMETER



Ref. No.	Part Number	Description	Qty	Remarks
1	2M0-83519-00-00	BRACKET, METER	1	
2	97006-06040-00	BOLT	2	
3	92906-06600-00	WASHER	2	
4	584-83541-00-00	DAMPER	4	
5	90387-06249-00	COLLAR	2	
6	90201-06067-00	WASHER, PLATE	2	
7	92995-06100-00	WASHER, SPRING	2	
8	95380-06600-00	NUT	2	
9	2M0-83568-00-00	PILOT BOX, UPPER	1	
10	2G2-83569-A0-00	PILOT BOX, LOWER	1	
11	98506-04012-00	SCREW, PAN HEAD	4	
12	92906-04100-00	WASHER, SPRING	4	
13	92906-04600-00	WASHER, PLATE	4	
14	2J2-83570-A0-00	SPEEDOMETER ASSEMBLY	1	MILE/H
15	584-83578-71-00	. KNOB, TRIP METER	1	
16	123-83516-21-00	. BULB (12V-3.4W)	2	
17	(584-83536-01-00)	SOCKET, METER	1	
19	2M0-83540-A0-00	TACHOMETER ASSEMBLY	1	
20	123-83516-21-00	. BULB (12V-3.4W)	4	
21	(2G2-83520-00-00)	SOCKET CORD ASSEMBLY	1	
22	3H3-83513-00-00	DAMPER	2	
23	2J2-83507-00-00	COVER, SPEEDOMETER	1	
24	2J2-83508-00-00	COVER, TACHOMETER	1	
25	584-83523-00-00	DAMPER	4	
26	90201-05031-00	WASHER, PLATE	4	
27	95303-05800-00	NUT (CROWN)	4	
28	584-83546-00-00	BOLT	4	
29	92990-06200-00	WASHER	4	
30	92995-06100-00	WASHER, SPRING	4	

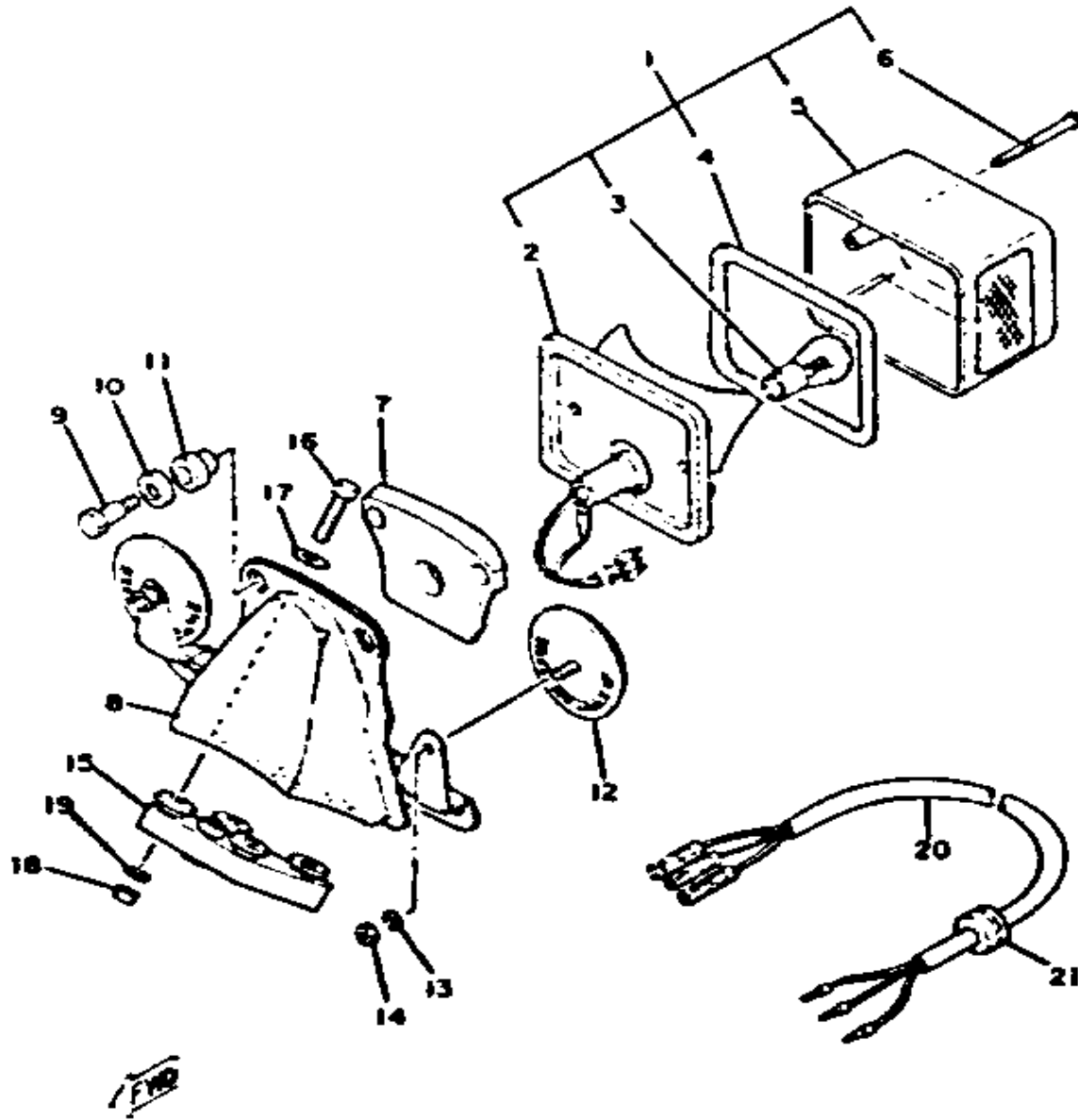
CONTINUED ON NEXT FRAME ➤

# SPEEDOMETER - TACHOMETER



Ref. No.	Part Number	Description	Qty	Remarks
31	95303-06800-00	NUT (CROWN) .....	4	
32	3G1-83509-00-00	SOCKET CORD ASSEMBLY ..	1	
33	123-83516-21-00	BULB (12V-3.4W) .....	3	
34	34X-83550-01-00	SPEEDOMETER CABLE ASSEMBLY .....	1	
35	447-83560-01-00	TACHOMETER CABLE .....	1	
36	(92503-04008-00)	SCREW, PAN HEAD .....	1	
37	92901-04100-00	WASHER, SPRING .....	1	
38	92901-04600-00	WASHER, PLATE .....	1	

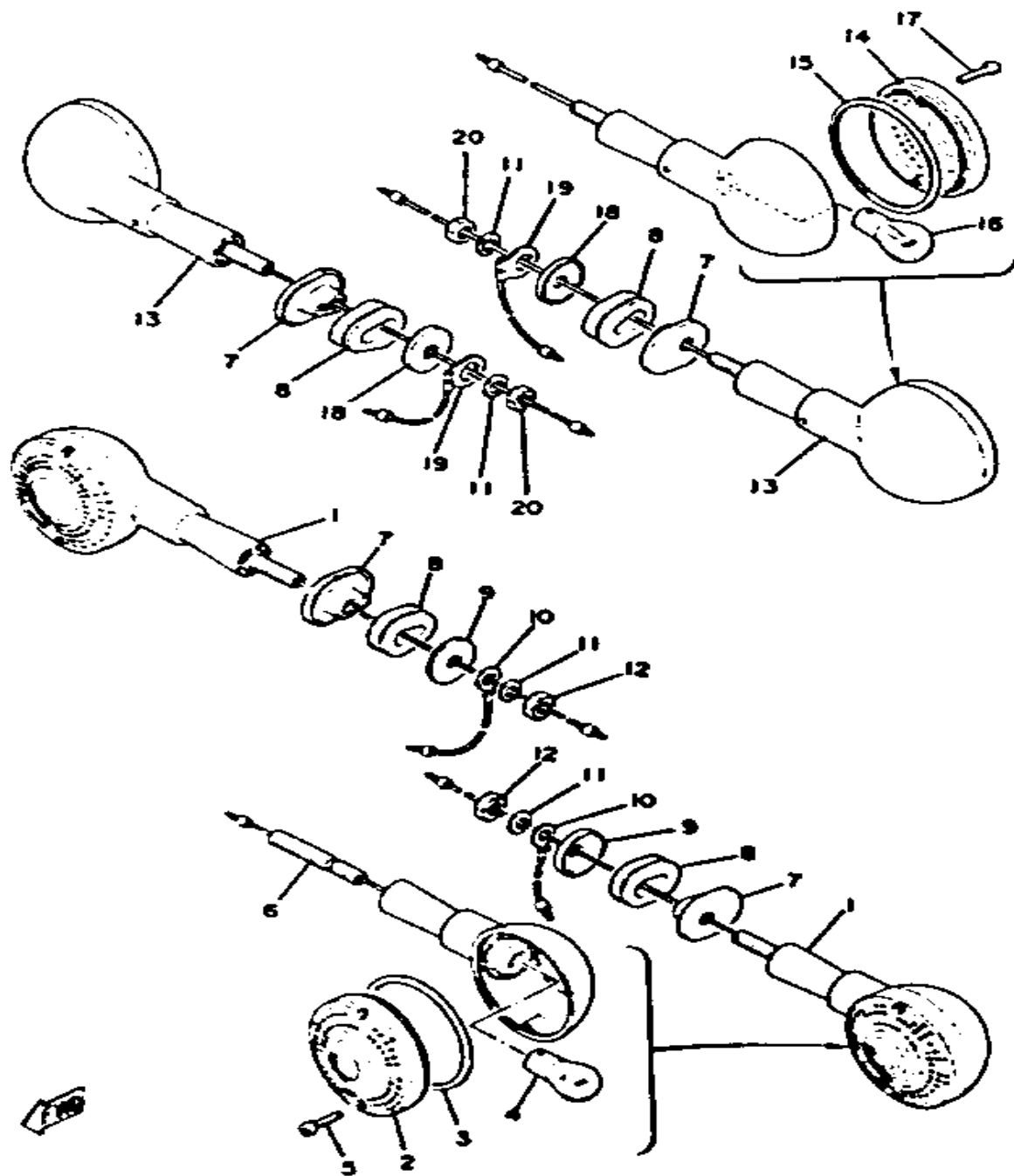
# TAIL LAMP



Ref. No.	Part Number	Description	Qty	Remarks
1	1W9-84710-60-00	TAILLIGHT UNIT ASSEMBLY ..	1	
2	2J2-84711-60-00	. BASE, TAILLIGHT .....	1	
3	256-84714-61-00	. BULB (12V-27/8W) .....	1	
4	1M1-84523-60-00	. GASKET, LENS .....	1	
5	1M1-84521-60-00	. LENS, TAILLIGHT .....	1	
6	1M1-84524-60-00	. SCREW, LENS FITTING .....	2	
7	1M1-84512-60-00	SEAT, BASE .....	1	
8	2J2-84751-00-93	BRACKET, LICENSE .....	1	
9	1M1-84526-60-00	SCREW .....	2	
10	2H7-84754-00-00	WASHER, SPECIAL .....	2	
11	1M1-84527-60-00	DAMPER .....	2	
12	449-85131-02-00	REFLECTOR, REAR 1 .....	2	
13	92990-05100-00	WASHER, SPRING .....	2	
14	95380-05600-00	NUT .....	2	
15	2M0-84753-00-00	DAMPER .....	1	
16	90109-06022-00	BOLT (338-84552-00) .....	4	
17	92990-08200-00	WASHER, PLAIN .....	4	
18	95380-06600-00	NUT .....	4	
19	92995-06100-00	WASHER, SPRING .....	4	
20	438-84517-00-00	CORD, TAILLIGHT .....	1	
21	90480-15061-00	GROMMET .....	2	

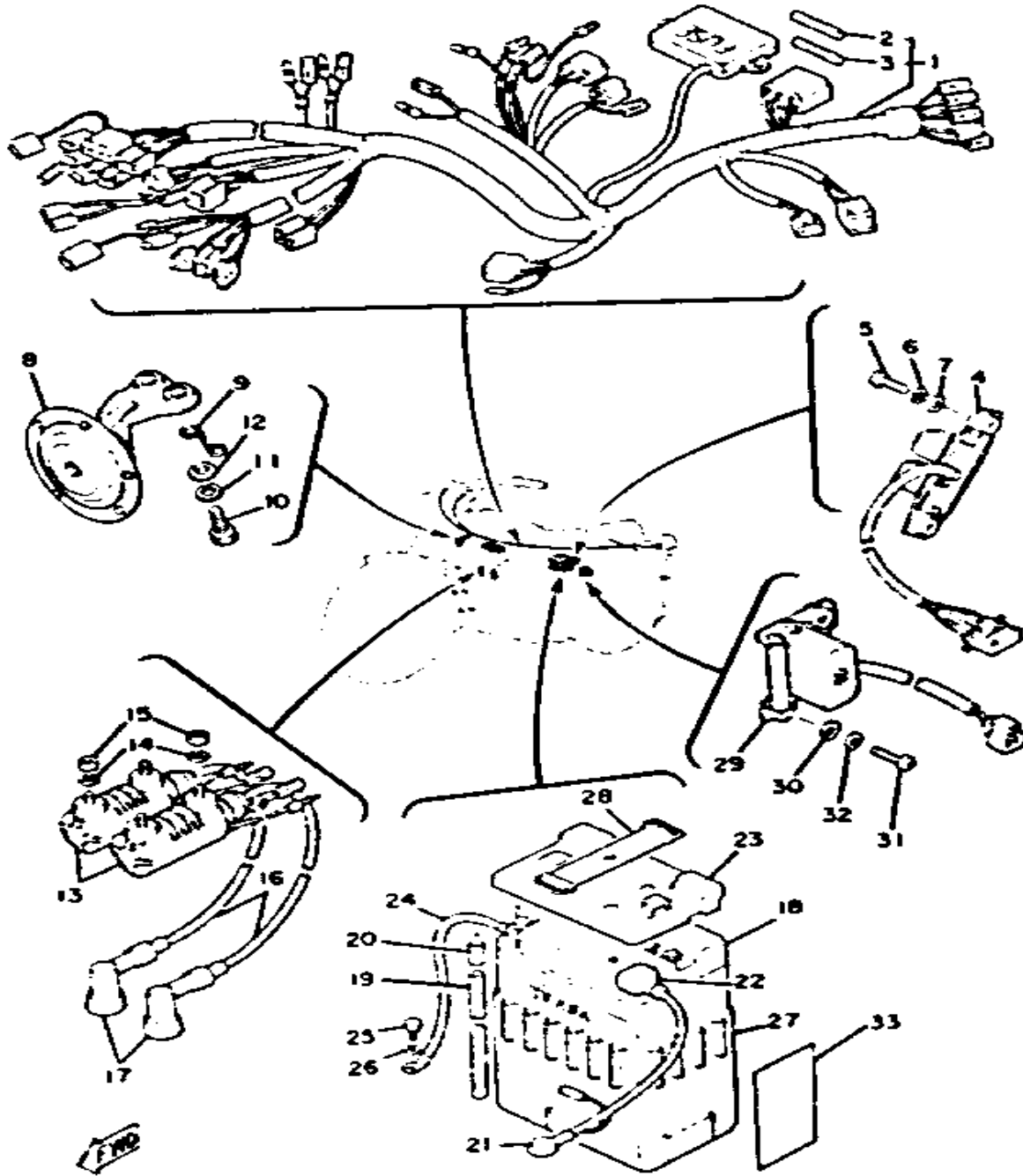


# FLASHER LAMP



Ref. No.	Part Number	Description	Qty	Remarks
1	341-83310-72-93	FRT FLSHR LITE ASSEMBLY	2	
2	341-83312-70-00	. LENS, FLASHER	2	
3	3Y6-83313-00-00	. GASKET, FLSHR LENS	2	
4	256-83311-70-XX	. BULB, TS 12V27W	2	
5	341-83333-70-00	. SCREW, LENS FITTING	4	
6	341-83367-09-00	. BOLT, STUD	2	
7	366-83316-00-00	COLLAR, FLASHER 1	4	
8	256-83321-00-00	DAMPER, FLASHER 1	4	
9	90209-08098-00	WASHER, SPEC'L SHAP	2	
10	256-84313-01-00	WIRE, EARTH	2	
11	92990-08100-00	WASHER	4	
12	95303-08700-00	NUT	2	
13	1E5-83330-20-93	R FLSHR LITE ASSEMBLY	2	
14	341-83312-70-00	. LENS, FLASHER	2	
15	3Y6-83313-00-00	. GASKET, FLSHR LENS	2	
16	256-83311-70-XX	. BULB, TS 12V27W	2	
17	341-83333-70-00	. SCREW, LENS FITTING	4	
18	90209-08028-00	WASHER, SPEC'L SHAP	2	
19	447-83336-01-00	CORD	2	
20	95333-08600-00	NUT	1	
	95333-08600-00	NUT	2	

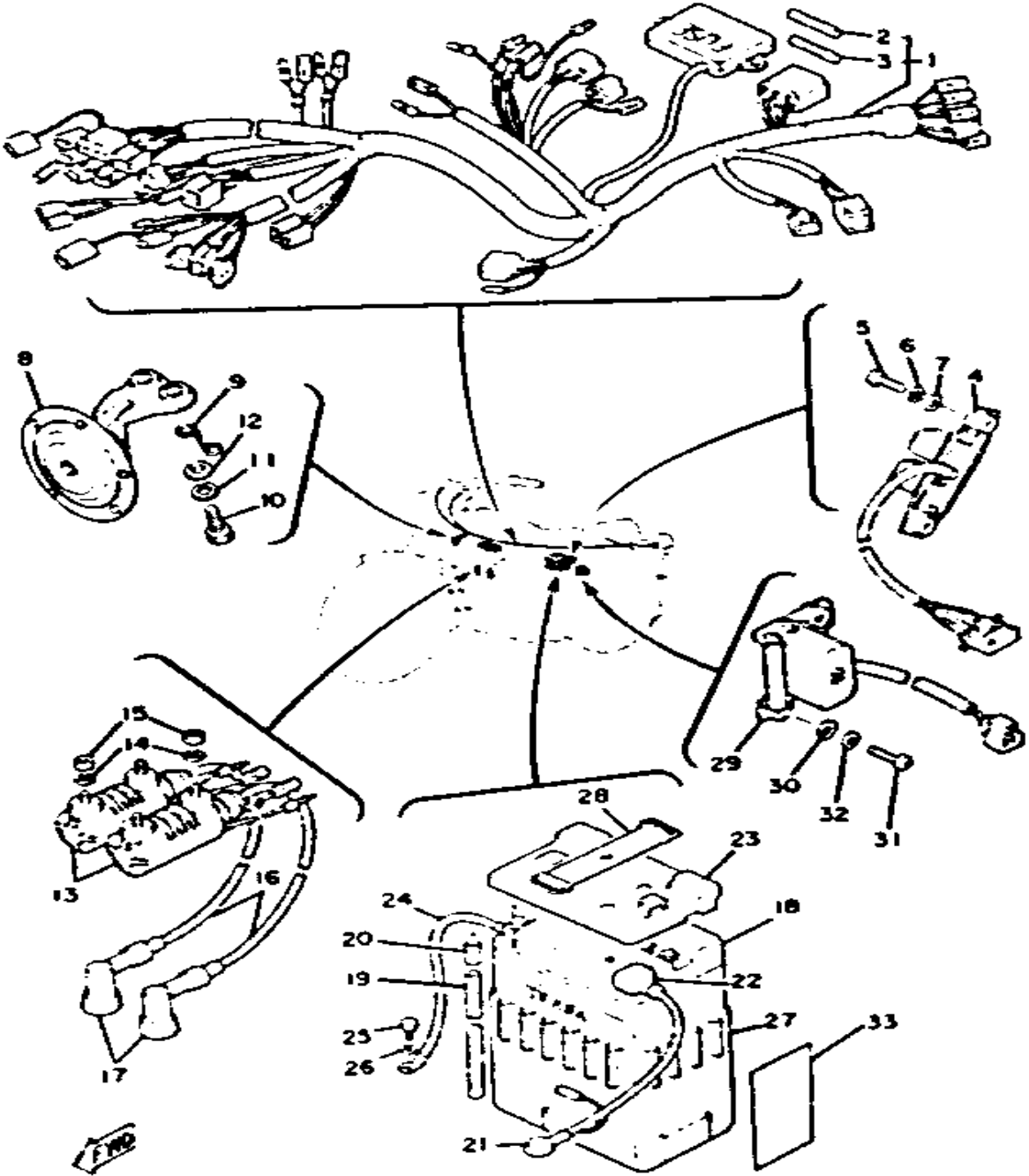
# ELECTRICAL 1



Ref. No.	Part Number	Description	Qty	Remarks
1	2M0-82590-51-00	WIRE HARNESS ASSEMBLY ..	1	
2	1A0-82161-00-00	. FUSE (20A) (148-82151-00-00)	1	
3	116-82151-00-00	. FUSE (10A) .....	3	
4	2F0-81950-50-00	RELAY ASSEMBLY .....	1	
5	98511-06025-00	SCREW PAN HEAD (92501-06025) .....	2	
6	92995-06100-00	WASHER, SPRING .....	2	
7	90201-06M08-00	WASHER, PLATE .....	2	
8	3N0-83371-50-00	HORN .....	1	
9	(90465-20138-00)	CLAMP .....	1	
10	97001-08025-00	BOLT (1NV) .....	2	
11	92990-08100-00	WASHER .....	2	
12	90201-08107-00	WASHER, PLATE .....	2	
13	254-82310-60-00	IGNITION COIL ASSEMBLY ...	2	
14	92995-06100-00	WASHER, SPRING .....	4	
15	95380-06600-00	NUT .....	4	
16	4X7-82341-00-00	CORD, HIGH TENS 1 (4X7-82342-00) .....	2	
17	256-82370-00-00	PLUG CAP ASSEMBLY .....	2	
	512-82370-10-00	PLUG CAP ASSEMBLY .....	2	OPTIONAL PARTS
18	BTY-YB14L-A2-00	BATTERY ASSEMBLY (YB14L-A2) .....	1	
19	90445-08582-00	HOSE .....	1	
20	(90386-07043-00)	BUSH, SPEC'L NYLON .....	1	
21	447-82115-01-00	WIRE, PLUS LEAD .....	1	
22	447-82119-00-00	COVER, LEAD WIRE .....	1	
23	2M0-82129-00-00	COVER, BATTERY .....	1	
24	447-82116-00-00	WIRE, MINUS LEAD .....	1	
25	97013-06012-00	BOLT .....	1	
26	92995-06100-00	WASHER, SPRING .....	1	

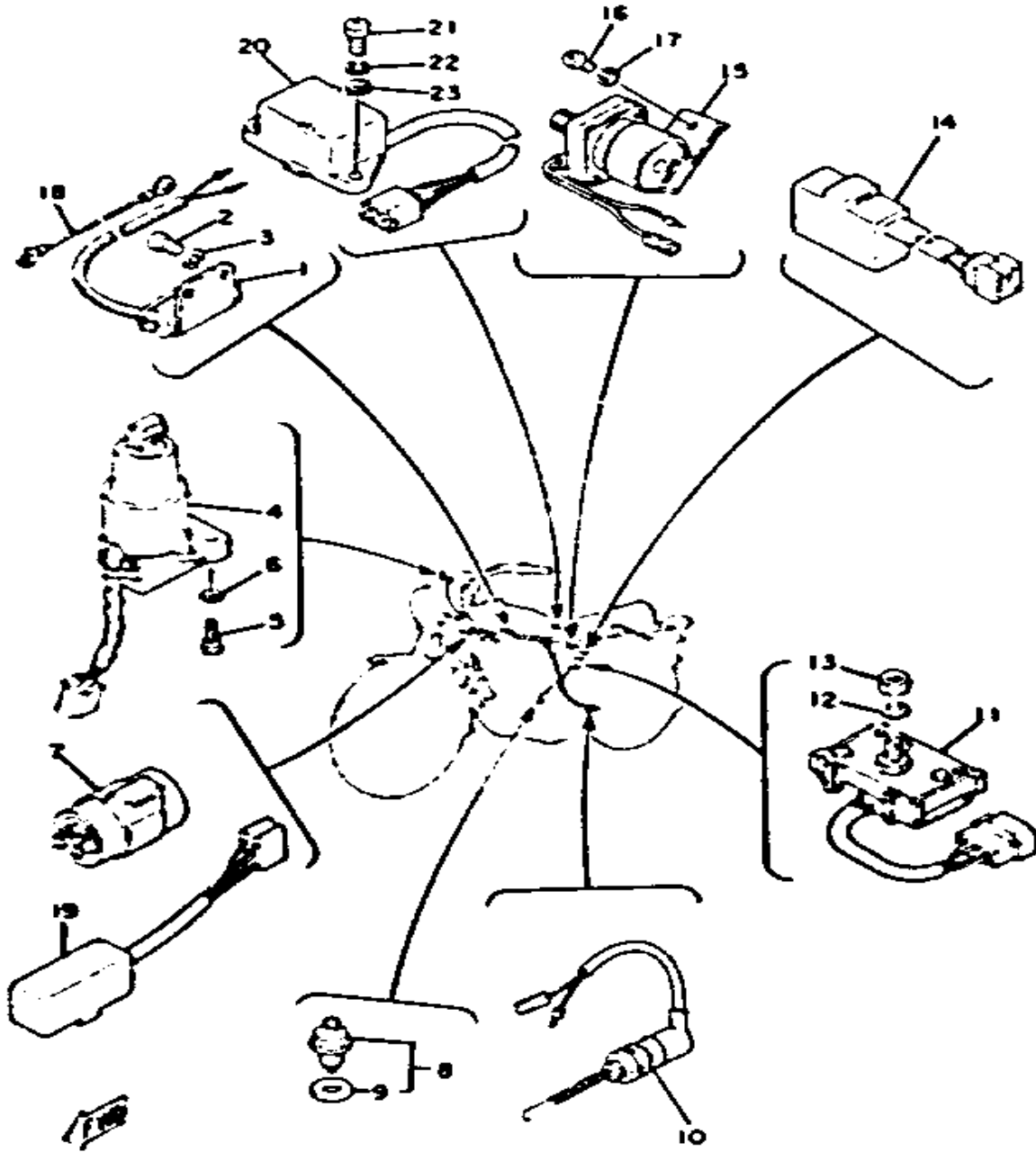
CONTINUED ON NEXT FRAME ►

# ELECTRICAL 1



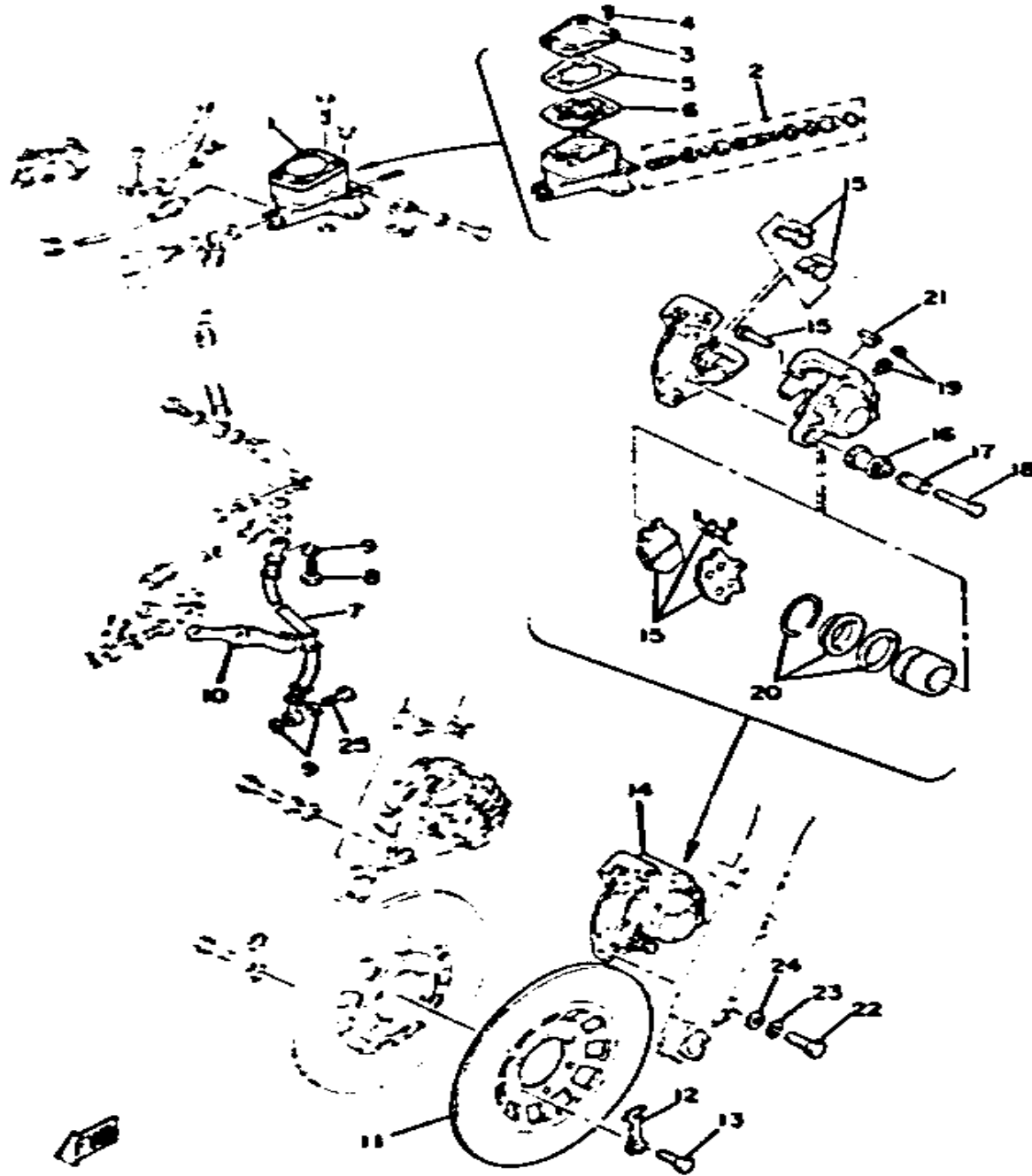
Ref. No.	Part Number	Description	Qty	Remarks
27	447-82122-00-00	SEAT, BATTERY .....	1	
28	120-82131-00-00	BAND, BATTERY .....	1	
29	1L9-81910-50-00	VOLTAGE REG ASSEMBLY ..	1	
30	90201-06M08-00	WASHER, PLATE .....	2	
31	98511-06025-00	SCREW PAN HEAD (92501-06025) .....	2	
32	92995-06100-00	WASHER, SPRING .....	2	
33	L1T-82141-09-00	UNAVAILABLE IN PRICE BOOK (118-82141-09) .....	1	

# ELECTRICAL 2



Ref. No.	Part Number	Description	Qty	Remarks
1	256-81625-10-00	CONDENSER 1	1	
2	98580-06008-00	SCREW, PAN HEAD	2	
3	92995-06100-00	WASHER, SPRING	2	
4	3JV-82501-00-00	MAIN SWITCH STEERING LOCK	1	
5	97313-06016-00	BOLT, HEXAGON	1	
6	92901-06600-00	WASHER	1	
7	2F0-83350-70-00	FLASHER RELAY ASSEMBLY	1	
8	136-82540-00-00	NEUTRAL SWITCH ASSEMBLY	1	
9	37R-82543-00-00	. GASKET	1	
10	533-82530-02-00	STOP SWITCH ASSEMBLY	1	
11	447-81970-10-00	RECTIFIER ASSEMBLY	1	
12	92990-08100-00	WASHER	1	
13	95303-08700-00	NUT	1	
14	2M0-84708-01-00	CHECKER, LIGHT	1	
15	447-81940-10-00	STARTER SWITCH ASSEMBLY	1	
16	98503-06014-00	SCREW, PAN HEAD (92502-06016)	1	
17	92995-06100-00	WASHER, SPRING	1	
18	256-81615-00-00	WIRE, LEAD	1	
19	1A0-83395-03-00	FLASHER CANCL UNIT	1	
20	1T3-84308-00-00	RSRV LTNG UNIT ASSEMBLY	1	
21	98580-06018-00	SCREW, PAN HEAD	2	
22	92995-06100-00	WASHER, SPRING	2	
23	92901-06600-00	WASHER	2	

# DOUBLE DISC BRAKE



Ref. No.	Part Number	Description	Qty	Remarks
1	2G2-25850-01-00	MSTR CYLINDER ASSEMBLY	1	
2	1J3-W0041-20-00	. CYLINDER KIT, MASTER	1	
3	1J3-25852-01-00	. CAP, RESERVOIR	1	
4	2G2-25857-00-00	. SCREW	4	
5	1J3-25855-01-00	. BUSH, DIAPHRAGM	1	
6	1J3-25854-01-00	. DIAPHRAGM RESERVOR	1	
7	1T3-25873-00-00	HOSE, BRAKE 2	1	
8	90401-10044-00	BOLT, UNION	1	
9	90201-10118-00	WASHER, PLATE	3	
10	1J3-25876-02-00	HOLDER, BRKE HOSE 2	1	
11	(1J3-25831-00-00)	DISC, BRAKE	3	
12	1J3-25834-01-00	WASHER, LOCK	3	
13	90101-08312-00	BOLT	6	
14	3H5-25810-12-00	CALIPER ASSEMBLY LH	1	
15	4K0-W0045-01-00	. BRAKE PAD KIT, FRNT	1	
16	1J3-25917-00-00	. BOOT, CALIPER	1	
17	1J3-25838-00-00	. SLEEVE, CALIPER	1	
18	90105-08145-00	. BOLT, WASHER BASED	1	
19	1J3-W0048-00-00	. BLEED SCREW KIT	1	
20	1J3-W0047-00-00	. CALIPER SEAL KIT	1	
21	1J3-25845-01-00	. CAP, INDICATOR	1	
22	90105-10638-00	BOLT, WASHER BASED	2	
23	92990-10100-00	WASHER, SPRING	2	
24	92990-10200-00	WASHER, PLAIN	2	
25	90401-10034-00	BOLT, UNION	1	

A-19  
**XS650-2F**  
**1979 SERVICE DATA**

MOTORCYCLE  
M79-006

<b>MODEL - IBM I.D. NUMBER</b>	XS650-2F	3N0
Initial Engine Number/Frame Number	2F0-250101 / 2F0-250101	
Basic Color(s)	New Yamaha Black	
Fuel Type/Fuel Tank Capacity/Reserve Capacity	Regular / 11.0 Lit. (2.9 Gal.) / 2.3 Lit. (0.6 Gal.)	
Dry Vehicle Weight	205 kg (452 lb.)	
<b>ENGINE TYPE</b>	4-Stroke, Air-Cooled, SOHC	
Bore/Stroke/Number Cylinders/Displacement (cc)	75mm / 74mm / 2 / 654cc	
Compression Ratio/Compression Pressure min~max	8.5:1 / 9.5 ~ 11.5 kg/cm <sup>2</sup>	
Piston Skirt Clearance new/max.	0.050 ~ 0.055mm / 0.10mm	
Ring End Gap Top/2nd/3rd	0.2 ~ 0.4mm / 0.2 ~ 0.4mm / 0.3 ~ 0.9mm	
Valve Clearance (cold) Intake/Exhaust	0.06mm / 0.15mm	
Oil Pressure Hot/rpm	φ	
Oiling System	Wet Sump	
Capacity: Dry	2500cc	
Oil and Filter Change	2000cc	
Oil Change	2000cc	
Lubricant: Temp above 5°C (40°F)	Yamalube 4* or SAE 20W-40 SE	
Below 15°C (60°F)	Yamalube 4* or SAE 20W-40 SE	
<b>AUTOLUBE - Min. Stroke/Color Code</b>	φ	
Minimum Output @ 200 cycles	φ	
Maximum Output @ 200 cycles	φ	
<b>CARBURETOR - Mfr./Type/I.D. Number</b>	Mikuni / BS38 / 2F000	
Main Jet/Pilot Jet	135 / 27.5	
Needle Jet/Jet Needle-Clip Position	Z-2 / 502-3	
Slide Cutaway or Throttle Valve	120	
Float Level	24 ± 1mm	
Idle rpm	1200 rpm	
CO % @ Idle (Diagnostic Use Only)	3 ± 2%	
<b>SUSPENSION</b>		
Front Forks: Oil Type/Level/Qty.	10 wt. Fork Oil* / φ / 164 ~ 172cc	
Gas Pressure	φ	
Spring Length Std.	482mm	
Monoshock: Oil Type/Qty.	φ	
Gas Pressure	φ	
Minimum Brake Lining Thickness	Front: 6mm Rear: 2mm	
Tire Size (Nominal Pressure)	F:3.50S19 (1.6kg/cm <sup>2</sup> /23 psi) R:130/90S16 (2.0kg/cm <sup>2</sup> /28 psi)	
<b>TRANSMISSION - Oil Type/Qty Chg/Qty Reassemble</b>	See ENGINE above	
Primary Drive Type/Teeth/Ratio	Spur Gear / 72-27 / 2.666	
Secondary Drive Type/Teeth/Chain	Chain Drive / 34-17 / DID530HDS-104L	
Clutch Friction Plate Thickness Std ~ Min.	3.0 ~ 2.7mm	
Clutch Spring Length Std ~ Min.	34.6 ~ 33.6mm	
Middle Gear Case Capacity	φ	
Final Gear Case Capacity	φ	
Gear Case Lubricant: Temp above 5°C (40°F)	φ	
Temp below 15°C (60°F)	φ	
All Weather Conditions	φ	

Service Copy: \_\_\_\_\_ Service Mgr. \_\_\_\_\_ Mechanic \_\_\_\_\_ Mechanic \_\_\_\_\_ Mechanic \_\_\_\_\_ Binder

Office Copy: \_\_\_\_\_ General Mgr. \_\_\_\_\_ Sales \_\_\_\_\_ Parts \_\_\_\_\_ Binder

©YAMAHA MOTOR CORPORATION, U. S. A., BUENA PARK, CALIFORNIA January 24, 1979 PAGE 1 OF 2

<b>CHARGING SYSTEM</b>	AC Generator / 3 Phase / Full Wave
Battery: Model / Spec. Grav. / Chg. Rate	Yuasa YB14L-A2 (12V14AH) / 1.28 / 1.4A
Maximum Output	14V11A @ 2000 rpm
<b>TROUBLESHOOTING</b>	
Field Coil Color Code / Ω	Rotor:Grn ~ Blk / 5.25 Ω ± 10% Stator:Wht ~ Wht/0.46 Ω ± 10%
Charge Coil Color Code / Ω	φ
<b>IGNITION SYSTEM</b>	Battery and Coil
Ignition Timing	15° Mark
	Std: 15° @ 1200 rpm Adv: 40° @ 3000 rpm
Spark Plug Type	NGK-BP7ES or Champion-N-7Y
Spark Plug Gap / Torque / Cap Ω	0.7 ~ 0.8mm / 2.0 m·kg / 10K Ω
Point Gap / Condenser Capacitance	0.3 ~ 0.4mm / 0.22 μF ± 10%
<b>TROUBLESHOOTING</b>	
Ignition Coil Test Gap / Primary Ω / Secondary Ω	6mm / 3.9 Ω ± 10% / 8.0K Ω ± 20%
Pulse Coil or Pick-up Coil Color Code / Ω	φ
Source Coil Color Code / Ω	φ
<b>LIGHTING SYSTEM</b>	
Headlight / Taillight / Signal Rating	12V 50-40W / 12V 27-8W / 12V 27W
<b>TROUBLESHOOTING</b>	
Lighting Coil Color Code / Ω	φ
<b>TORQUE VALUES</b>	
Front Axle Nut	14 x 1.5: 10.7 m·kg
Front Axle Holder Nut	8 x 1.25: 1.4 m·kg
Rear Axle Nut	18 x 1.5: 15.0 m·kg
Rear Axle Pinch Bolt	φ
Clutch Nut	18 x 1.0: 8.0 m·kg
Drain Plug	30 x 1.5: 4.2 m·kg
Cylinder Head Cover	φ
Cylinder Head:	6 x 1.0: 0.9 m·kg 8 x 1.25: 2.1 m·kg
	Cap Nut 10 x 1.25: 3.7 m·kg
Engine Mounting Bolts: Engine, Upper	8 x 1.25: 1.8 m·kg 10 x 1.25: 3.0 m·kg
Engine, Front	10 x 1.25: 4.6 m·kg
Engine, Rear	10 x 1.25: 4.0 m·kg
Rear, Lower	10 x 1.25: 4.6 m·kg
Engine, Lower	10 x 1.25: 4.6 m·kg

φ Does Not Apply to This Model

\* Available From Yamaha Parts Distributors, Inc.

PAGE 2 OF 2

<b>CHARGING SYSTEM</b>	AC Generator / 3 Phase / Full Wave
Battery: Model / Spec. Grav. / Chg. Rate	Yuasa YB14L-A2 (12V14AH) / 1.28 / 1.4A
Maximum Output	14V11A @ 2000 rpm
<b>TROUBLESHOOTING</b>	
Field Coil Color Code / $\Omega$	Rotor:Grn ~Blk/ 5.25 $\Omega$ $\pm$ 10% Stator:Wht ~Wht/0.46 $\Omega$ $\pm$ 10%
Charge Coil Color Code / $\Omega$	$\phi$
<b>IGNITION SYSTEM</b>	Battery and Coil
Ignition Timing	15° Mark
	Std: 15° @ 1200 rpm Adv: 40° @ 3000 rpm
Spark Plug Type	NGK-BP7ES or Champion-N-7Y
Spark Plug Gap / Torque / Cap $\Omega$	0.7 ~ 0.8mm / 2.0 m·kg / 10K $\Omega$
Point Gap / Condenser Capacitance	0.3 ~ 0.4mm / 0.22 $\mu$ F $\pm$ 10%
<b>TROUBLESHOOTING</b>	
Ignition Coil Test Gap / Primary $\Omega$ / Secondary $\Omega$	6mm / 3.9 $\Omega$ $\pm$ 10% / 8.0K $\Omega$ $\pm$ 20%
Pulse Coil or Pick-up Coil Color Code / $\Omega$	$\phi$
Source Coil Color Code / $\Omega$	$\phi$
<b>LIGHTING SYSTEM</b>	
Headlight / Taillight / Signal Rating	12V 50-40W / 12V 27-8W / 12V 27W
<b>TROUBLESHOOTING</b>	
Lighting Coil Color Code / $\Omega$	$\phi$
<b>TORQUE VALUES</b>	
Front Axle Nut	14 x 1.5: 10.7 m·kg
Front Axle Holder Nut	8 x 1.25: 1.4 m·kg
Rear Axle Nut	18 x 1.5: 15.0 m·kg
Rear Axle Pinch Bolt	$\phi$
Clutch Nut	18 x 1.0: 8.0 m·kg
Drain Plug	30 x 1.5: 4.2 m·kg
Cylinder Head Cover	$\phi$
Cylinder Head:	6 x 1.0: 0.9 m·kg    8 x 1.25: 2.1 m·kg
	Cap Nut 10 x 1.25: 3.7 m·kg
Engine Mounting Bolts: Engine, Upper	8 x 1.25: 1.8 m·kg    10 x 1.25: 3.0 m·kg
Engine, Front	10 x 1.25: 4.6 m·kg
Engine, Rear	10 x 1.25: 4.0 m·kg
Rear, Lower	10 x 1.25: 4.6 m·kg
Engine, Lower	10 x 1.25: 4.6 m·kg

$\phi$  Does Not Apply to This Model

\* Available From Yamaha Parts Distributors, Inc.