



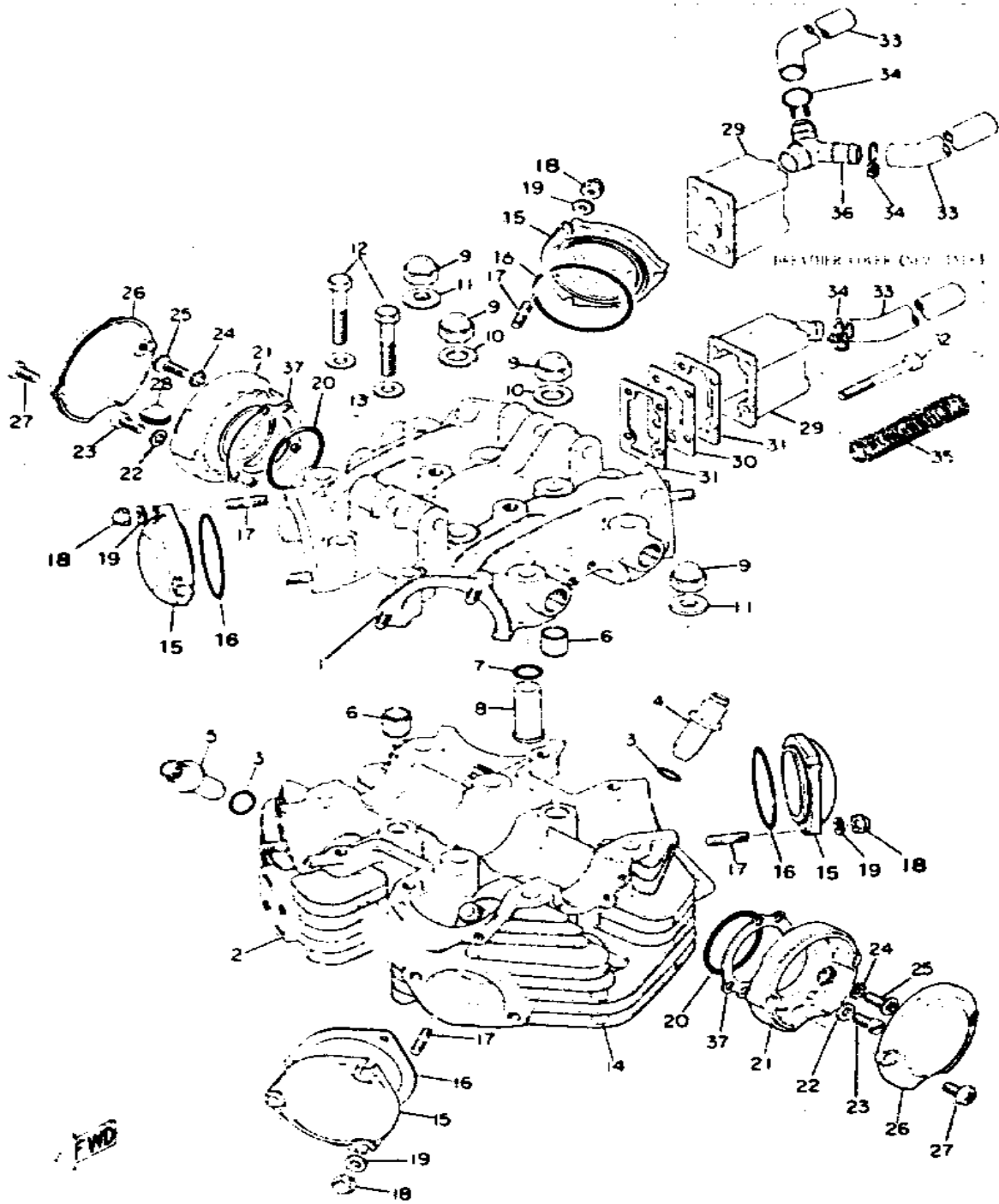
YAMAHA

GENUINE

PARTS CATALOGUE

MOTORCYCLE

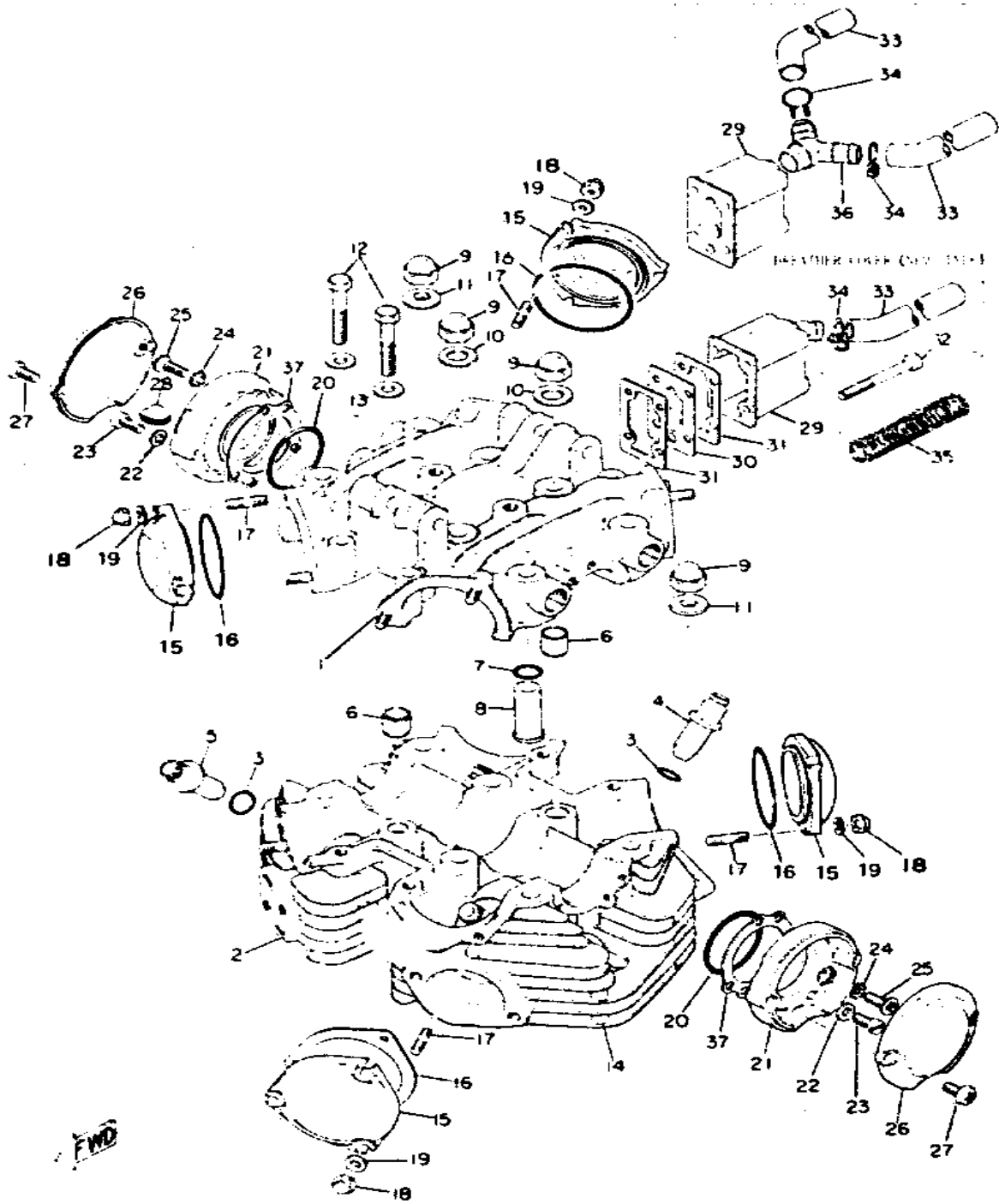
CYLINDER HEAD - CYLINDER HEAD COV



Ref. No.	Part Number	Description	Qty	Remarks
3	93210-15151-00	.. O-RING	4	
4	(256-11133-21-00)	.. GDE, INTK VLV 1 O/S	2	ALTERNATE PARTS
	341-11133-11-00	.. GDE, INTK VLV 1 O/S	2	
	341-11133-11-00	.. GDE, INTK VLV 1 O/S	2	ALTERNATE PARTS
5	(256-11134-21-00)	.. GDE, EXST VLV 1 O/S	2	ALTERNATE PARTS
	341-11134-11-00	.. GDE, EXST VLV 1 O/S	2	
6	99530-14016-00	PIN, DOWEL	2	
7	93210-12152-00	O-RING	4	
8	256-11199-00-00	SLEEVE, CYLINDER HD COVR	4	
9	90176-10008-00	NUT, CROWN	8	
10	92990-10200-00	WASHER, PLAIN	4	
11	90210-10004-00	WASHER, SEAL	4	
12	97013-08060-00	BOLT (663)	4	PN315
	97313-08050-00	BOLT, HEXAGON (90101-08125)	4	
13	92990-08200-00	WASHER, PLAIN	4	
15	447-11186-00-00	COVER, CYLINDER.HEAD 2 ..	4	M6-040
16	256-11196-01-00	GASKET, CYLINDER.HD.SIDE .	4	M6-040
	93210-62451-00	O-RING	4	M6-040
17	90116-06016-00	BOLT, STUD	6	
	90116-06017-00	BOLT, STUD	12	
18	95303-06800-00	NUT (CROWN)	12	
	95303-06800-00	NUT (CROWN)	9	
19	90201-06038-00	WASHER, PLATE	12	
	90201-06038-00	WASHER, PLATE	9	
20	93210-45150-00	O-RING	2	
21	256-11157-03-00	COVER, BREAKER 1	2	844~
22	90201-06038-00	WASHER, PLATE	2	
23	98503-06014-00	SCREW, PAN HEAD (92502-06016)	2	

CONTINUED ON NEXT FRAME ►

CYLINDER HEAD - CYLINDER HEAD COV



Ref. No.	Part Number	Description	Qty	Remarks
24	92990-06500-00	WASHER	6	
25	98701-06014-00	SCREW, FLAT HEAD	6	
26	256-11158-01-00	COVER, BREAKER 2	2	587~
27	98980-06020-00	SCREW, BIND	4	
28	90338-12044-00	PLUG, SPEC'L SHAPE	1	
29	584-11108-00-00	BREATHR COVER ASSEMBLY	1	
	90338-12044-00	PLUG, SPEC'L SHAPE	1	
30	(256-11165-00-00)	PLATE, BREATHR	1	
31	256-11169-01-00	GASKET, BRTHR COVER	1	
	256-11169-01-00	GASKET, BRTHR COVER	2	
32	91316-06060-00	BOLT	4	
	97313-06060-00	BOLT, HEXAGON	4	
33	(90445-16161-00)	HOSE 0 0	1	
	(90445-16161-00)	HOSE 0 0	2	685~
34	90467-14015-00	CLIP	1	
	90467-14015-00	CLIP	2	685~
35	90501-08046-00	SPRING, COMPRESSION	7	344~
36	(256-11167-02-00)	PIPE, BREATHR 2 0 1	9	685~
37	(99999-00856-00)	COVER, CYLINDER HEAD 3	1	
	256-11146-00-00	GASKET, BREAKER CVR	16	844~
	256-12156-01-00	SHAFT, ROCKER	4	
	306-11198-00-00	GASKET		
	447-11185-00-00	CVR, CYLINDER HD SIDE 1	1	
	90116-08150-00	BOLT, STUD	4	
	93210-62451-00	O-RING	1	
-1	(5V4-11101-00-00)	CYLINDER HEAD ASSEMBLY	1	SEE NOTE 1 & 2

CYLINDER HEAD - CYLINDER HEAD COVER (M

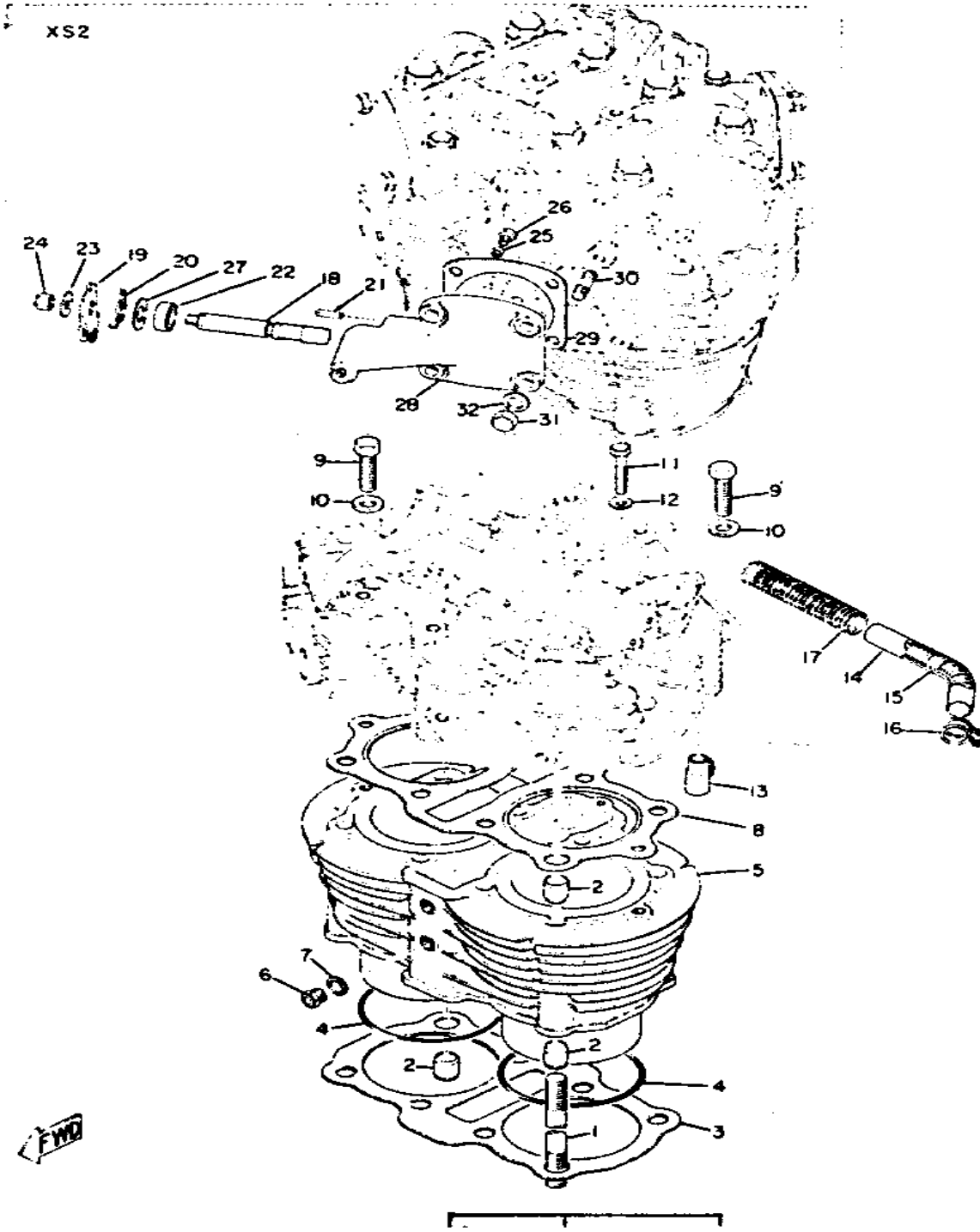
Ref. No.	Part Number	Description	Qty	Remarks
----------	-------------	-------------	-----	---------

NOTE 1: Original cylinder head for XS1/XS1B (256-11110-10) has been discontinued. Substitution is 306-11110-02. This cylinder head is interchangeable if the following additional parts are adhered to when ordering:

256-12156-01-00	SHAFT ROCKER.....	4
99999-00856-00	COVER, cylinder head, side 3 (306-11185-09).....	1
447-11185-00-00	COVER, cylinder.....	1
93210-62304-00	O-RING.....	1
306-11198-00-00	GASKET.....	
90116-08150-00	BOLT.....	4

NOTE 2: Original cylinder head for XS2 (306-11110-00) has been discontinued. Substitution cylinder head is 306-11110-02. This interchangeable with additional parts 256-12156-01, Shaft Rocker (4 pcs.)

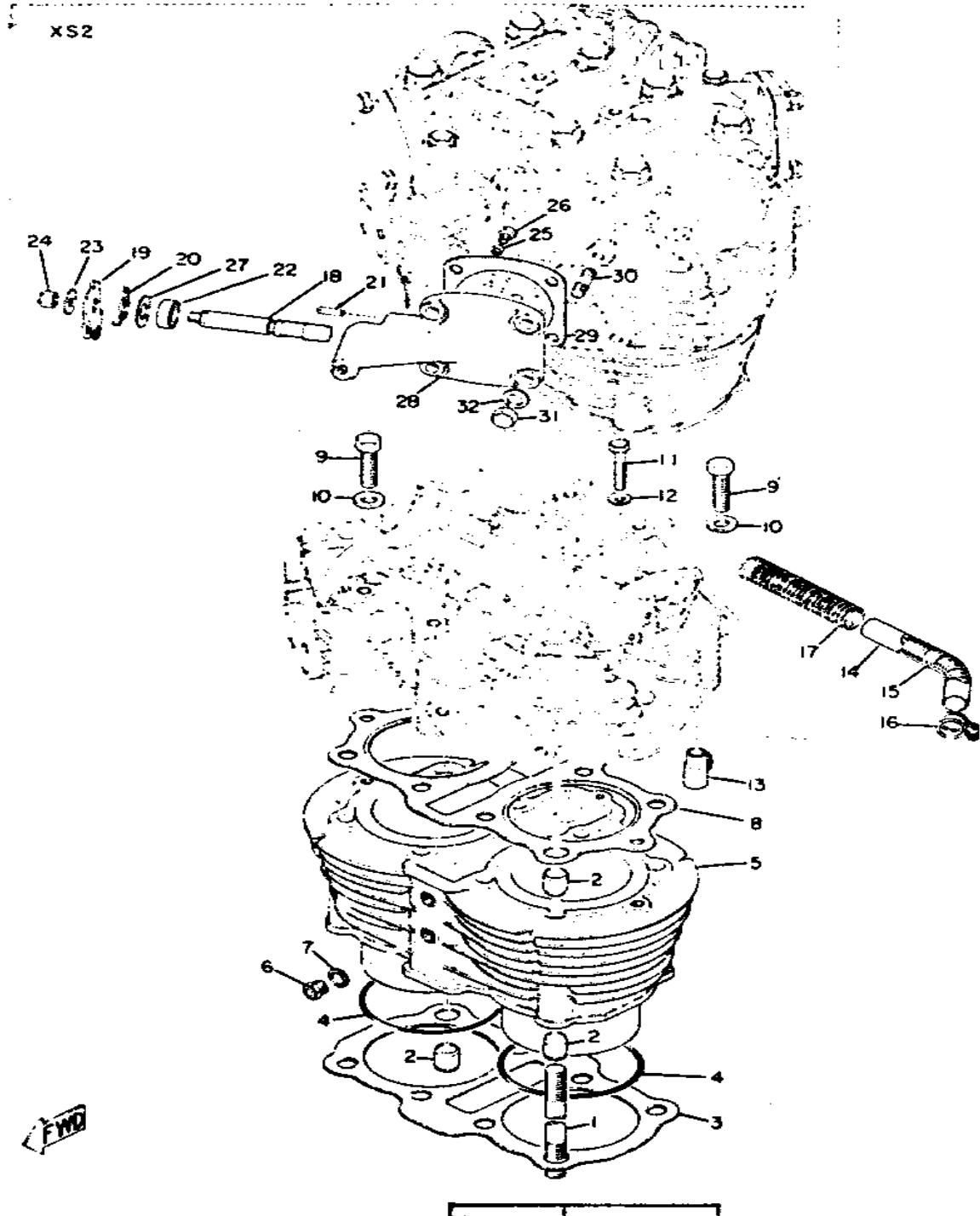
CYLINDER - DECOMPRESSION



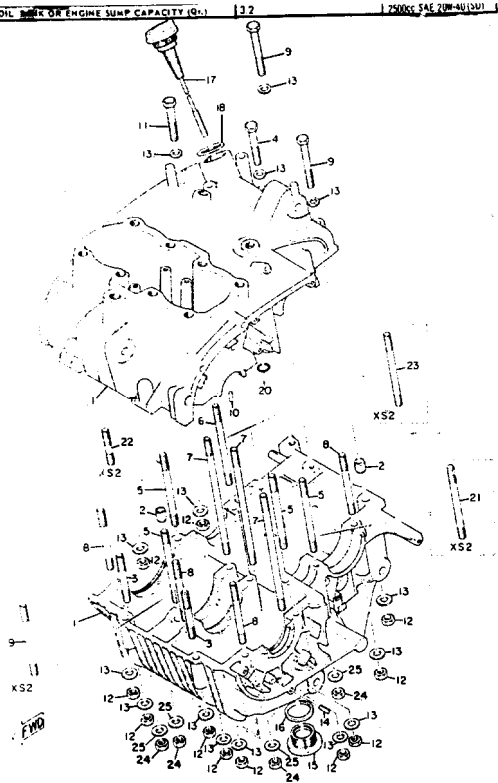
Ref. No.	Part Number	Description	Qty	Remarks
1	90116-10108-00	BOLT, STUD	8	
2	99530-14016-00	PIN, DOWEL	4	
3	256-11351-00-00	GASKET, CYLINDER	1	
	256-11351-01-00	GASKET, CYLINDER	1	
4	93210-81731-00	O-RING	2	
5	(306-11310-01-00)	CYLINDER	1	487~XS1B
6	(256-11395-00-00)	HOLDER	2	
	256-11395-01-00	HOLDER	2	487~
	256-11395-02-00	HOLDER	2	
7	90430-11033-00	GASKET	2	
8	306-11181-01-00	GASKET, CYLH 1	1	
	306-11181-02-00	GASKET, CYLH 1	1	
9	97313-08035-00	BOLT, HEXAGON	2	
10	92990-08200-00	WASHER, PLAIN	2	
11	97323-06035-00	BOLT (1TL)	1	
12	90201-06038-00	WASHER, PLATE	1	
13	(256-14465-00-00)	PIPE	2	
14	(90445-16160-00)	HOSE	1	
15	(90501-08043-00)	SPRING, COMPRESSION	1	
16	(90460-14003-00)	CLAMP, HOSE	2	
17	90501-08046-00	SPRING, COMPRESSION	7	344~
18	(306-12288-00-00)	CAM, DCOMP	1	
19	306-12282-00-00	LEVER, DCOMP	1	
20	90508-16019-00	SPRING, TORSION (306-12287-00)	1	
21	91690-40016-00	PIN, SPRING	1	
22	(93102-12100-00)	OIL SEAL, SD-TYPE	1	
23	90201-065F3-00	WASHER, PLATE	1	
24	95303-06800-00	NUT (CROWN)	1	

CONTINUED ON NEXT FRAME ►

CYLINDER - DECOMPRESSION



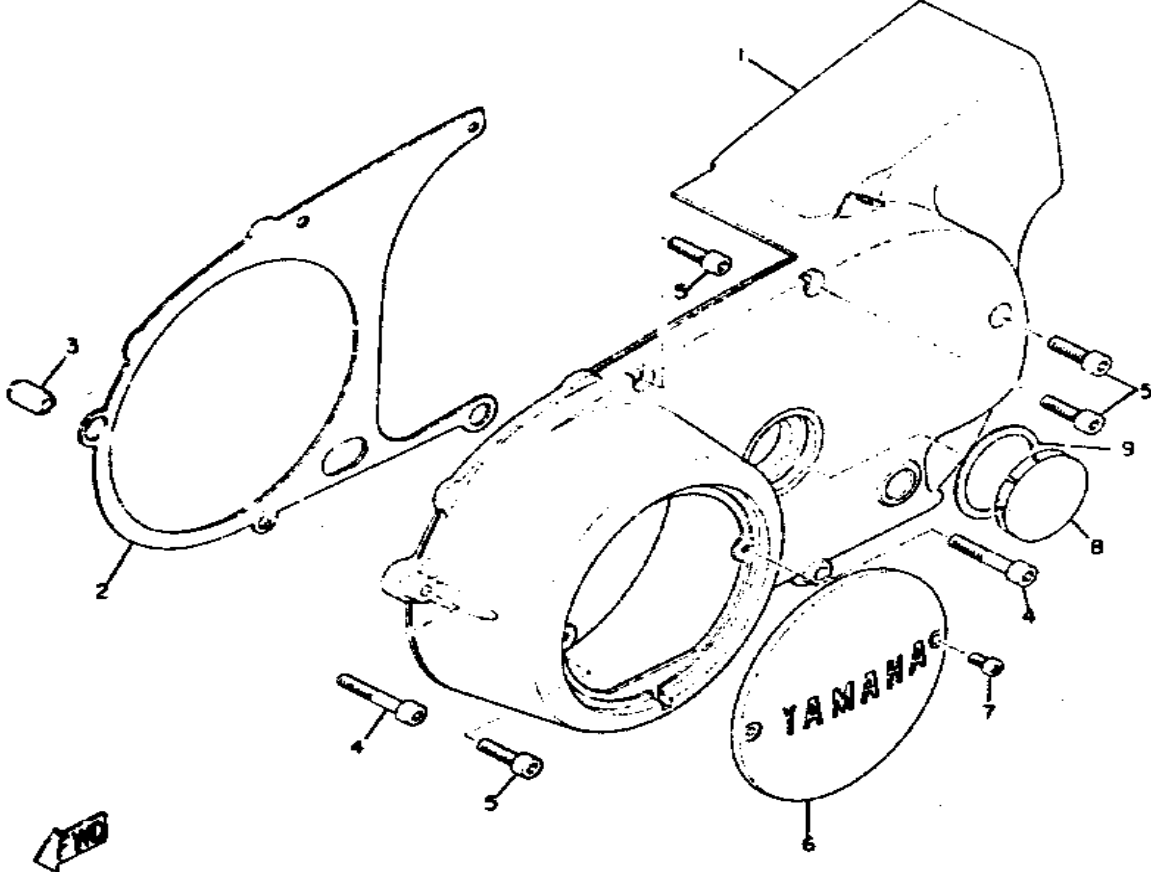
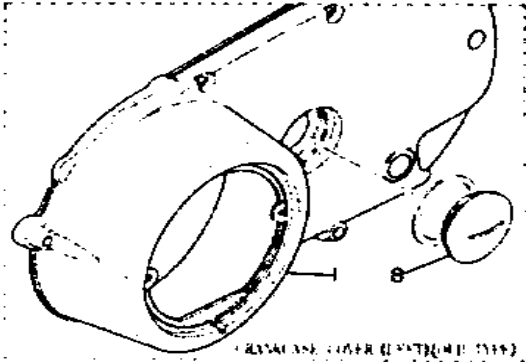
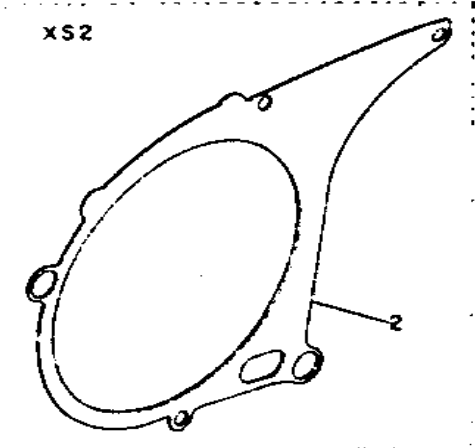
Ref. No.	Part Number	Description	Qty	Remarks
25	90201-06038-00	WASHER, PLATE	1	
26	(306-12299-00-00)	BOLT, STOPPER	1	
	(90109-06075-00)	BOLT	1	NEEDS NO PLAIN WASHER. (REF.NO
27	90201-12184-00	WASHER, PLATE (12.5-25-0.5) (306-12289-00)	1	
28	306-11187-00-00	COVER, CYLINDER.HEAD 3 ..	1	
29	306-11198-00-00	GASKET	1	
30	90116-08150-00	BOLT, STUD	4	
31	95303-08800-00	NUT (CROWN) (95301-08800) .	4	
32	92990-08200-00	WASHER, PLAIN	4	
33	NOTAVAILABLE	FOOTREST, RIGHT	2	



CRANKCASE

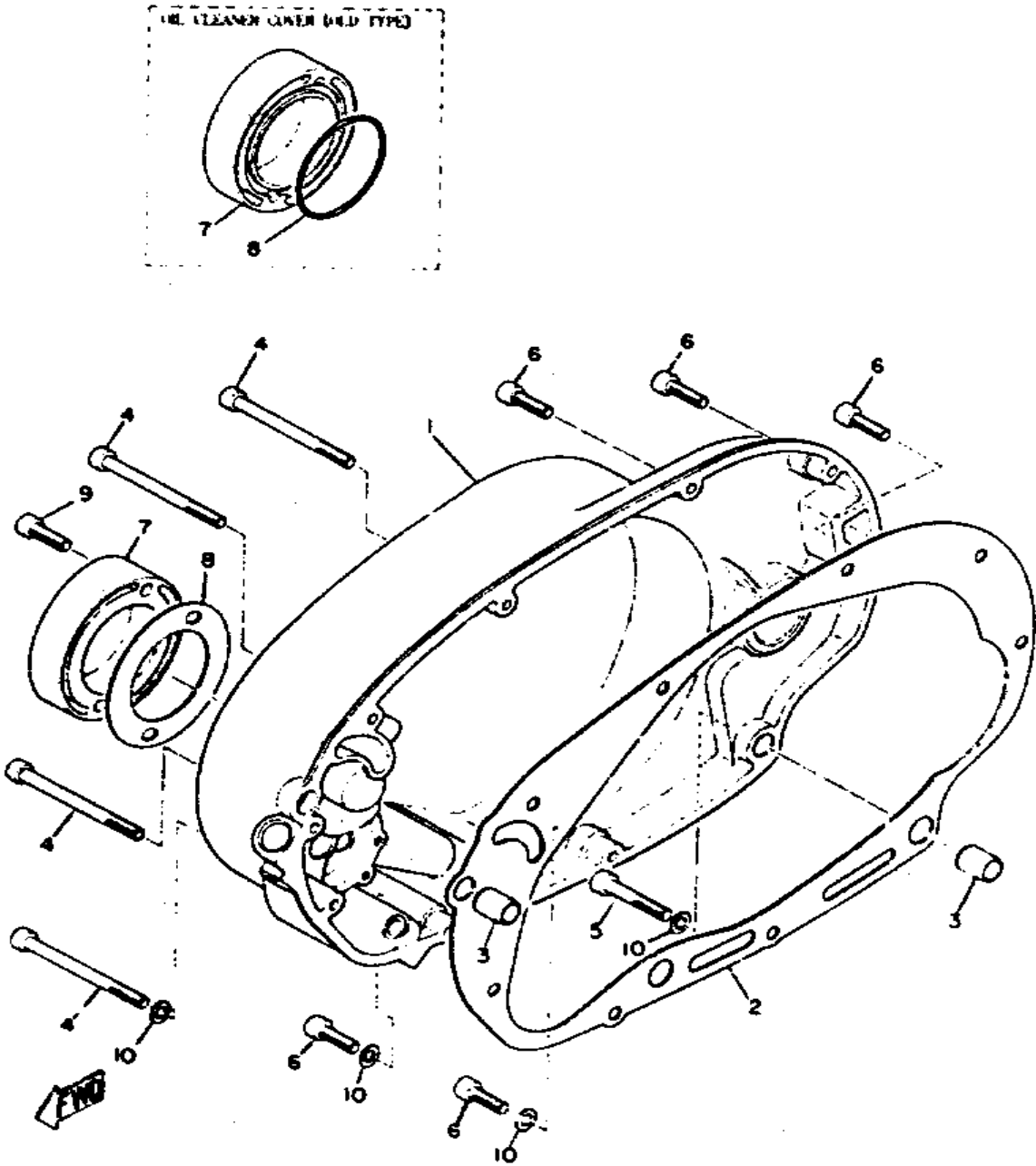
Ref. No.	Part Number	Description	Qty	Remarks
1	(256-15100-05-00)	CRANKCASE ASSEMBLY	1	
	(306-15100-03-00)	CRANKCASE ASSEMBLY	1	F/N 101801~
2	99510-12016-00	PIN, DOWEL	2	
	99510-12016-00	PIN, DOWEL	6	
3	90116-08196-00	BOLT, STUD	2	L=76
4	97313-08055-00	BOLT, HEXAGON	1	
5	90116-08232-00	BOLT, STUD	3	L=76
6	(204-15363-01-00)	PLUG, OIL	1	PN315 L=30
7	(90116-08199-00)	BOLT, STUD	3	L=186
8	90116-05220-00	BOLT, STUD	4	L=96
9	97321-08075-00	BOLT (96103-08075)	2	
10	93605-12069-00	PIN, DOWEL	4	
11	97023-08090-00	BOLT (97321-08090)	1	
12	95333-08600-00	. NUT, HEXAGON	14	E/N 106930~SEE 24
13	92990-08200-00	WASHER, PLAIN	18	SEE 25
14	93603-14026-00	. PIN, DOWEL	1	
15	256-15351-00-00	PLUG, DRAIN	2	
16	256-15353-00-00	GASKET, DRAIN	2	
17	256-15362-02-00	PLUG, OIL LEVEL	1	
18	90430-29114-00	. GASKET	1	
19	90116-08066-00	BOLT, STUD	1	F/N 10801~
	90116-08232-00	BOLT, STUD	1	L=60
20	256-15395-00-00	GASKET, OIL SEALING	1	
21	90116-08055-00	BOLT, STUD	1	L=61
22	90116-08047-00	BOLT, STUD (306-15192-00)	1	L=54
23	90116-08066-00	BOLT, STUD	1	L=103
24	90176-08019-00	NUT, CROWN	4	932~MC72003
25	90430-08143-00	GASKET	4	932~

CRANKCASE COVER (LEFT)



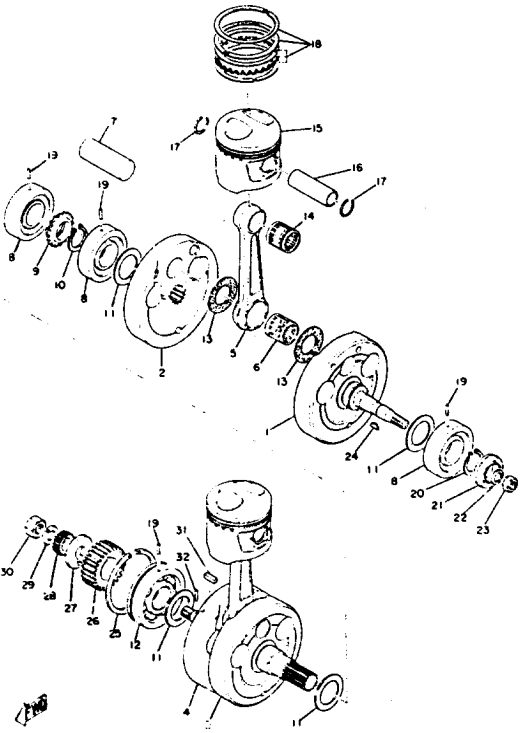
Ref. No.	Part Number	Description	Qty	Remarks
1	(256-15411-09-00)	COVER, CRANKCASE L	1	
	584-15411-00-00	COVER, CRANKCASE L	1	
2	256-15461-00-00	GASKET, CRCS CVR 2	1	
	306-15461-00-00	GASKET, CRCS CVR 2	1	
3	99510-12016-00	PIN, DOWEL	2	
4	91316-06035-00	BOLT	2	
	91316-06040-00	BOLT, SOCKET HEAD	2	430~
5	91316-06020-00	BOLT, SOCKET HEAD	4	
	91316-06025-00	BOLT	4	430~
6	256-15425-00-00	COVER, GENERATOR R	1	
7	98580-05010-00	. SCREW, PAN HEAD	2	
8	1J7-15417-02-00	COVER, CAP	1	
	1J7-15417-02-00	COVER, CAP	1	125~
9	256-15457-00-00	GASKET	1	

CRANKCASE COVER (RIGHT)



Ref. No.	Part Number	Description	Qty	Remarks
1	99999-01146-00	CVR CRANKCASE RH (256-15421-04)	1	
2	256-15451-00-00	GASKET, CRCS COVER	1	
3	99510-12016-00	PIN, DOWEL	2	
4	91316-06070-00	BOLT, SOCKET HEAD	4	
	91316-06075-00	BOLT, SOCKET HEAD	4	430~
5	91316-06040-00	BOLT, SOCKET HEAD	1	430~
	91316-06075-00	BOLT, SOCKET HEAD	1	
6	91316-06020-00	BOLT, SOCKET HEAD	5	
	91316-06025-00	BOLT	5	430~
7	(256-15416-01-00)	COVER, OIL PUMP 0 1	1	125~
	256-15416-02-00	COVER, OIL PUMP	1	
8	256-15456-00-00	GASKET, O/PMP CVR 1	1	125~
	93210-50047-00	O-RING (3-49.5)	1	
9	91316-06020-00	BOLT, SOCKET HEAD	2	
	91316-06025-00	BOLT	2	430~
10	90430-06014-00	GASKET	4	

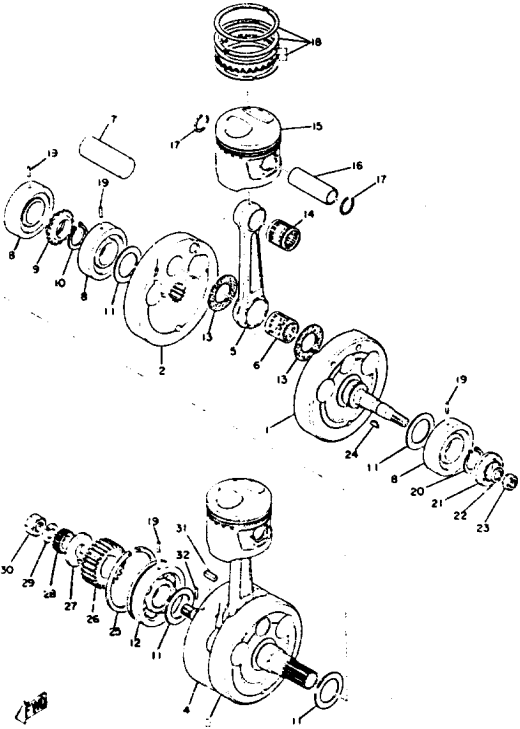
CRANK - PISTON



Ref. No.	Part Number	Description	Qty	Remarks
1	(256-11412-01-00)	. CRANK 1	1	
2	(256-11422-01-00)	. CRANK 2	1	
3	(256-11432-02-00)	. CRANK 3	1	
4	(256-11442-01-00)	. CRANK 4	1	
	(306-11442-03-00)	. CRANK 4	1	
5	256-11651-01-00	. ROD, CONNECTING 0 2	2	269~
6	93310-62660-00	. BEARING, CYLINDER.# 0 ...	2	
7	256-11681-00-00	. PIN, CRANK 1	2	
8	93390-00003-00	. BEARING, CYLINDER. # 0 ...	3	
9	(256-11549-00-00)	. SPROCKET, CAM CHAIN	1	
10	93410-32052-00	. CIRCLIP	1	
11	256-11561-00-00	. SHIM, CRANK 1	4	
12	93306-30604-00	. BEARING	1	
13	90209-26014-00	. WASHER, SPEC'L SHAP ...	4	
14	93310-22242-00	BEARING, CYLINDER.# 0	2	
15	(256-11631-02-96)	PISTON STD	2	PN315
	256-11635-02-00	PISTON 1 O/S 0.25 (0.25MM 1ST O.S.)	2	ALTERNATE PARTS
	256-11636-02-00	PISTON 2 O/S 0.50 (0.50MM 2ND O.S.)	2	ALTERNATE PARTS
16	256-11633-00-00	PIN, PISTON	2	
17	93450-24028-00	CIRCLIP	4	
18	256-11610-00-00	PISTON RINGSET STD (STD) .	2	
	256-11610-10-00	PISTON RINGSET 1ST (1ST O.S.)	2	ALTERNATE PARTS
	256-11610-20-00	PISTON RINGSET 2ND (2ND O.S.)	2	ALTERNATE PARTS
19	93605-12069-00	PIN, DOWEL	4	
20	93410-32052-00	CIRCLIP	1	
21	93102-25121-00	OIL SEAL, SD-TYPE	1	

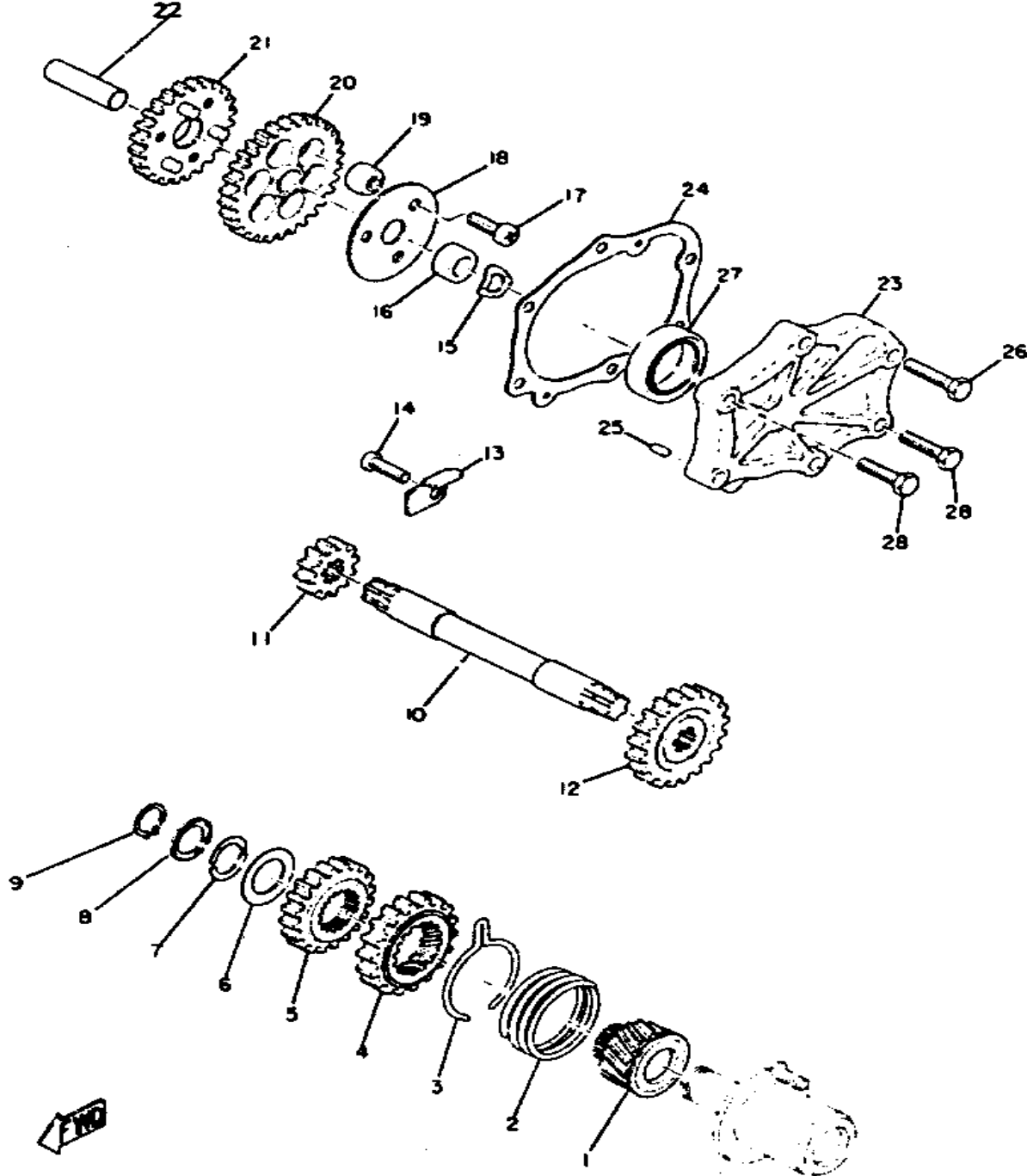
CONTINUED ON NEXT FRAME ►

CRANK - PISTON



Ref. No.	Part Number	Description	Qty	Remarks
22	92901-12100-00	WASHER, SPRING	1	
23	90170-12064-00	NUT, HEXAGON	1	
24	90280-04005-00	KEY, WOODRUFF	1	
25	93440-78011-00	CIRCLIP, OUTER	1	
26	(256-16111-00-00)	GEAR, PRI DRIVE	1	
27	(99999-01158-00)	WASHER, CLAW	1	
28	(256-13324-01-00)	GEAR, PUMP DRIVE	1	
29	92901-14100-00	WASHER, SPRING	1	
30	90170-14076-00	NUT, HEXAGON	1	
31	90282-07023-00	KEY, STRAIGHT	1	
32	93603-17070-00	PIN, DOWEL	1	
-1	(306-11400-02-00)	CRANKSHAFT ASSEMBLY ...	1	

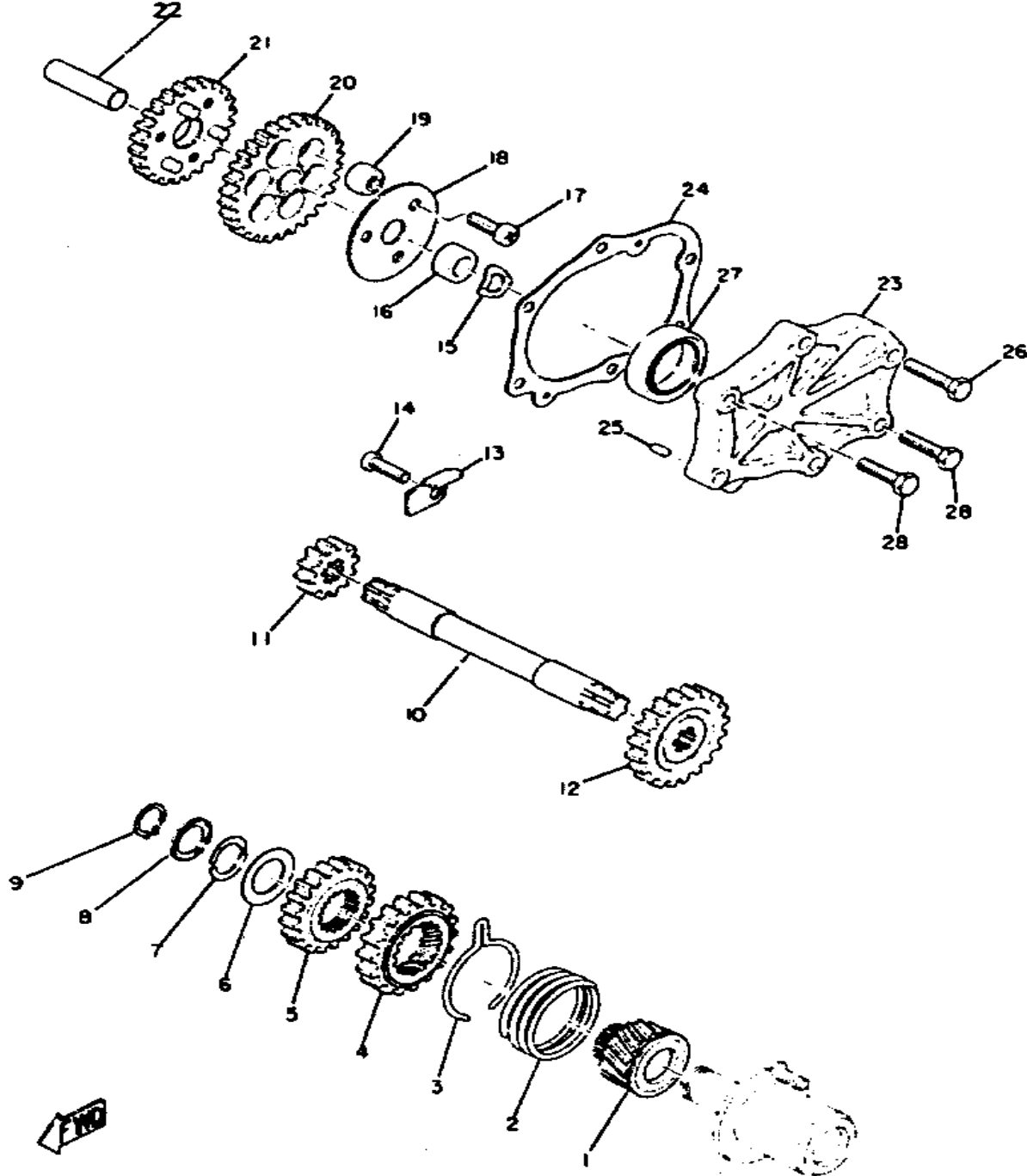
GEAR TRAIN (XS2)



Ref. No.	Part Number	Description	Qty	Remarks
1	306-Y1554-00-00	WHEEL STARTER	1	
2	90501-15409-00	SPRING, COMPRESSION	1	
3	(306-15536-00-00)	CLIP, STARTER	1	
	90468-29062-00	CLIP	1	
4	447-15516-00-00	. GEAR 4	1	
	90468-29062-00	. CLIP	1	
	90501-15409-00	. SPRING, COMPRESSION	1	
	99999-00959-00	GEAR 4 (25T) (306-15516-00)	1	
5	306-15515-00-00	GEAR 3	1	
6	90201-17257-00	WASHER, PLATE	1	
7	306-15562-00-00	CLIP	2	
8	306-15563-00-00	HOLDER, CLIP	1	
9	99009-17400-00	CIRCLIP	1	
10	306-15522-00-00	SHAFT 2	1	
11	306-15514-00-00	GEAR 2	1	
12	306-15513-00-00	GEAR 1	1	
13	447-15531-00-00	PLATE, STOPPER	1	
14	98580-06018-00	SCREW, PAN HEAD	1	
	98580-06020-00	SCREW	1	
15	90206-12074-00	WASHER, WAVE	1	
16	90387-12093-00	COLLAR	1	
17	98580-06020-00	SCREW	3	
18	306-15532-00-00	PLATE, IDLE GEAR	1	
19	306-15571-00-00	ABSORBER	6	
20	(306-15512-00-00)	GEAR, IDLER 1	1	
21	306-15517-00-00	GEAR, IDLER 2	1	
22	1AE-15521-00-00	SHAFT 1	1	
23	(306-15431-00-00)	COVER, CRANKCASE 3	1	
24	306-15452-00-00	GASKET, GR CRNK CVR	1	

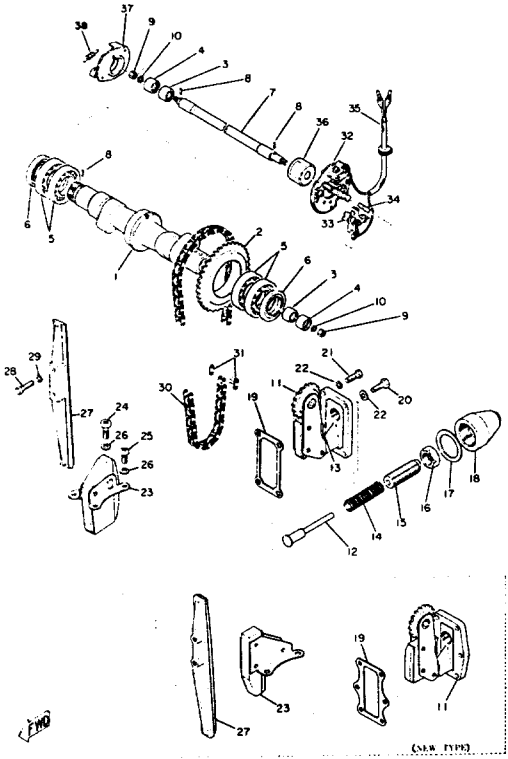
CONTINUED ON NEXT FRAME ➤

GEAR TRAIN (XS2)



Ref. No.	Part Number	Description	Qty	Remarks
25	93604-08071-00	PIN, DOWEL	2	
26	97021-06030-00	BOLT	4	
27	93102-34095-00	OIL SEAL, SD-TYPE	1	
28	97011-06025-00	BOLT (97001-06025)	2	

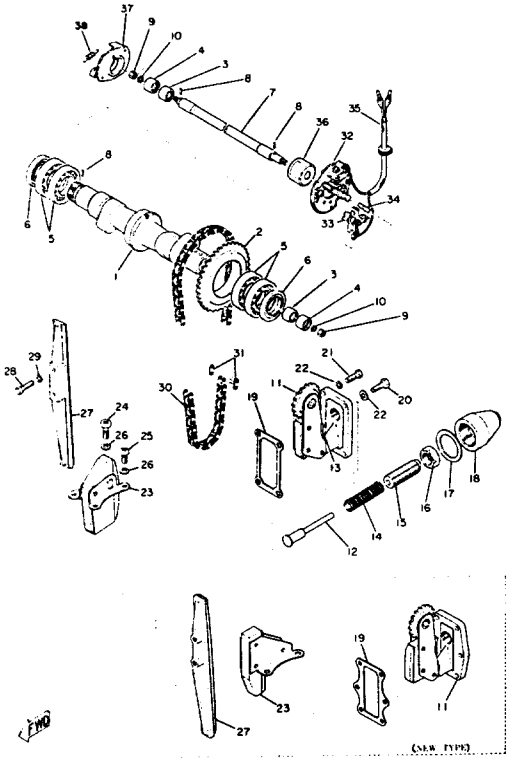
CAM SHAFT - CHAIN TENSIONER



Ref. No.	Part Number	Description	Qty	Remarks
1	NOTAVAILABLE	FOOTREST, RIGHT	1	
2	NOTAVAILABLE	FOOTREST, RIGHT	1	
3	90386-12093-00	. BUSH	2	
	93315-11206-00	. BEARING	2	
4	256-11155-00-00	. SEAL, LABYRINTH	2	
5	93316-00503-00	BEARING, CYLINDER.#16 (93316-00504)	4	
6	93101-25044-00	OIL SEAL, S-TYPE	2	608~
	93102-25090-00	OIL SEAL	2	
7	256-11156-00-00	SHAFT, BREAKER	1	
8	93603-07073-00	. PIN, DOWEL	3	
9	92995-06100-00	WASHER, SPRING	2	
10	92995-06100-00	WASHER, SPRING	2	
11	(256-12220-01-00)	TENSIONER ARM ASSEMBLY	1	
	(256-12220-02-00)	TENSIONER ARM ASSEMBLY	1	
12	(256-12217-00-00)	ROD, CHN TENSIONER	1	
13	(256-12232-01-00)	DAMPER	1	
14	(90501-16102-00)	SPRING, COMPRESSION	1	
15	(256-12228-00-00)	BOLT	1	
16	90170-18103-00	NUT, HEXAGON (256-12218-00)	1	
17	90430-30051-00	GASKET (30.2-40-1.4) (256-12214-00)	1	
18	341-12212-02-00	CASE, CHAIN TENSNR	1	INTERCHANGEABLE WITH NEW ONE
19	256-12213-00-00	GASKET, TENSNR CASE	1	
	306-12213-02-00	GASKET, TENSNR CASE	1	
20	(90109-06019-00)	BOLT	2	
21	97023-06020-00	BOLT (3XF)	2	
22	90201-06038-00	WASHER, PLATE	4	
23	(256-12241-00-00)	GUIDE, STOPPER 2	1	PN315

CONTINUED ON NEXT FRAME ►

CAM SHAFT - CHAIN TENSIONER



Ref. No.	Part Number	Description	Qty	Remarks
23	(256-12241-01-00)	GUIDE, STOPPER 2 0 0	1	608~
24	90149-06009-00	SCREW, SPEC'L SHAPE	2	
25	98503-06014-00	SCREW, PAN HEAD (92502-06016)	2	
26	92995-06100-00	WASHER, SPRING	4	
27	256-12231-01-00	GUIDE, STOPPER 1	1	608~
	256-12231-01-00	GUIDE, STOPPER 1	1	
28	97023-06020-00	BOLT (3XF)	2	
29	90430-06014-00	GASKET	2	
30	94590-02102-00	BF05T-Y TUBAKI 102 (BF05T-102L)	1	M7-033
31	(94610-01001-00)	. JOINT CHAIN	1	N/A
32	447-81620-10-00	BREAKER PLATE ASSEMBLY	1	
33	256-81621-11-00	. CONTACT BRKR ASSEMBLY	2	
34	256-81631-10-00	. LUBRICATOR	2	
35	256-81615-10-00	. WIRE, LEAD	1	
36	256-81651-10-00	CAM	1	
37	256-81653-10-00	GOVERNOR ASSEMBLY	1	
38	256-81654-10-00	SPRING, GOVERNOR	2	
-1	(256-12170-09-00)	CAMSHAFT ASSEMBLY 1	1	M7-033
30-1	94590-02102-00	BF05T-Y TUBAKI 102 (BF05T-102L)	1	M7-033
31-1	94690-02021-00	. CAM CHAIN JOINT2 6	1	M7-033

CAM SHAFT - CHAIN TENSIONER (NOTES)

Ref. No.	Part Number	Description	Qty	Remarks
----------	-------------	-------------	-----	---------

INTERCHANGEABILITY

- 1) No chain joint is interchangeable with any other chain joint due to different pin diameters
- 2) Cam chains are interchangeable in the same model group, but not between model group
- 3) Camshaft, sprocket, and chains for one model group are interchangeable with the same parts for the model group, but only as a set.

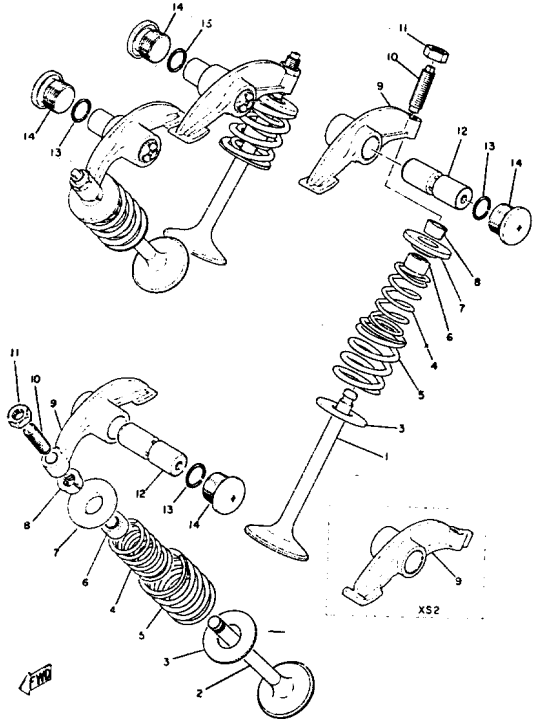
NOTES

- 1) Chain joint 94610-01001 will not be restocked after present stock is exhausted.
- 2) Camshaft assembly 256-12170-00 and 12170-01 requires the use of the following valve springs.

90501-29150	Inner spring	4
90501-45167	Outer spring	4
- 3) Camshaft assembly 256-12170-09 requires the use of the following valve springs.

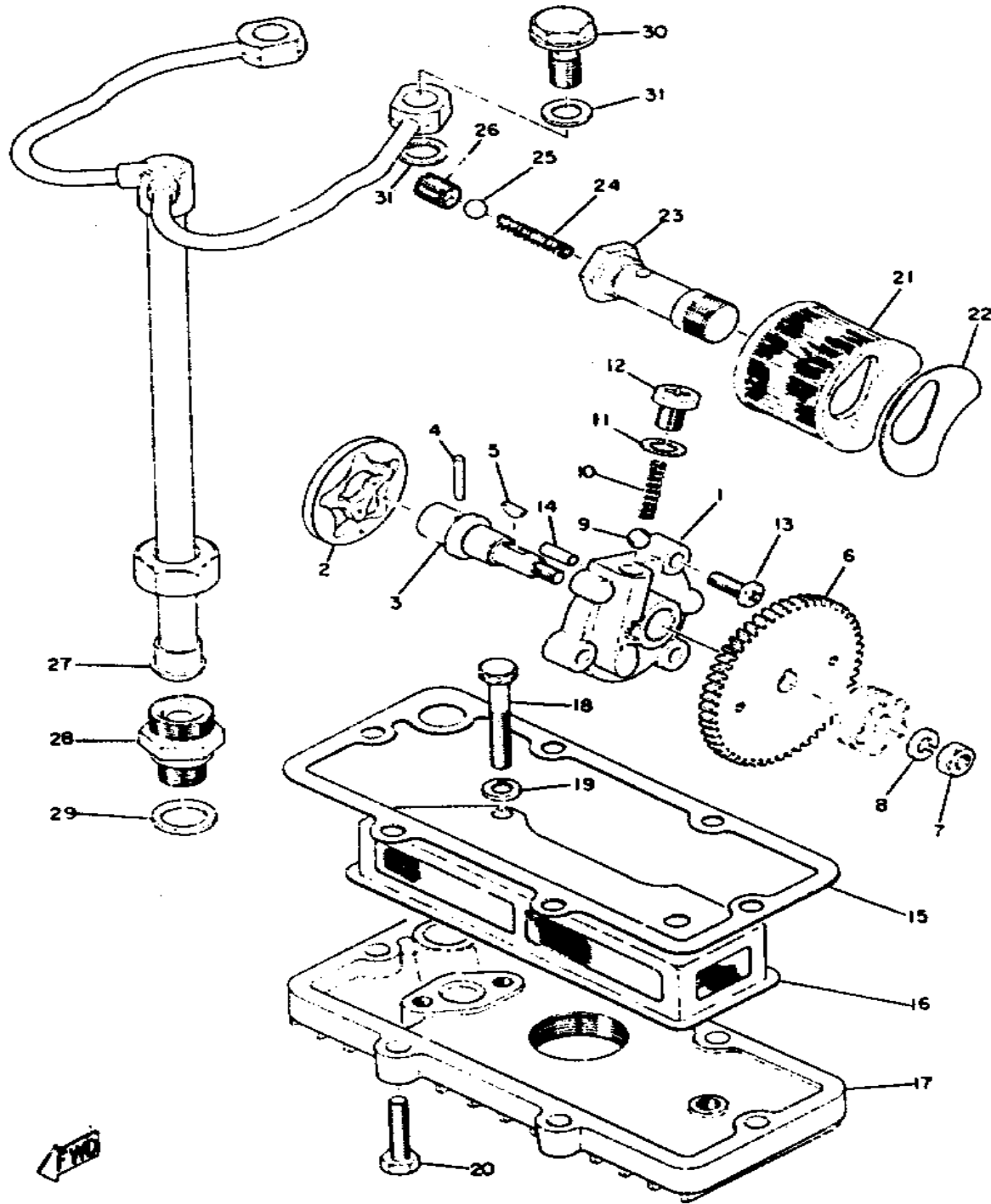
90501-29284	Inner spring	4
90501-42286	Outer spring	4

VALVE



Ref. No.	Part Number	Description	Qty	Remarks
1	341-12111-04-00	VALVE, INTAKE 4	2	
2	341-12121-01-00	VALVE, EXHAUST 1	2	
3	256-12116-01-00	SEAT, VALVE SPRING	4	
4	(90501-29150-00)	SPRING, COMPRESSION	4	
5	90501-45167-00	SPRING, COMPRESSION (256-12114-00)	4	
6	341-12119-02-00	SEAL, VALVE STEM	4	
7	256-12117-02-00	RETAINER, VALVE SPR	4	
8	256-12118-00-00	COTTER, VALVE	8	
	341-12118-00-00	COTTER, VALVE	8	614~P/N386
9	306-12151-00-00	ARM, VALVE ROCKER	4	
10	90149-08098-00	SCREW, SPEC'L SHAPE	4	
11	90170-08173-00	NUT, HEXAGON	4	
12	256-12156-01-00	SHAFT, ROCKER	4	
13	93210-17143-00	O-RING	4	
14	90340-18017-00	PLUG, STRAIGHT SCRW	4	

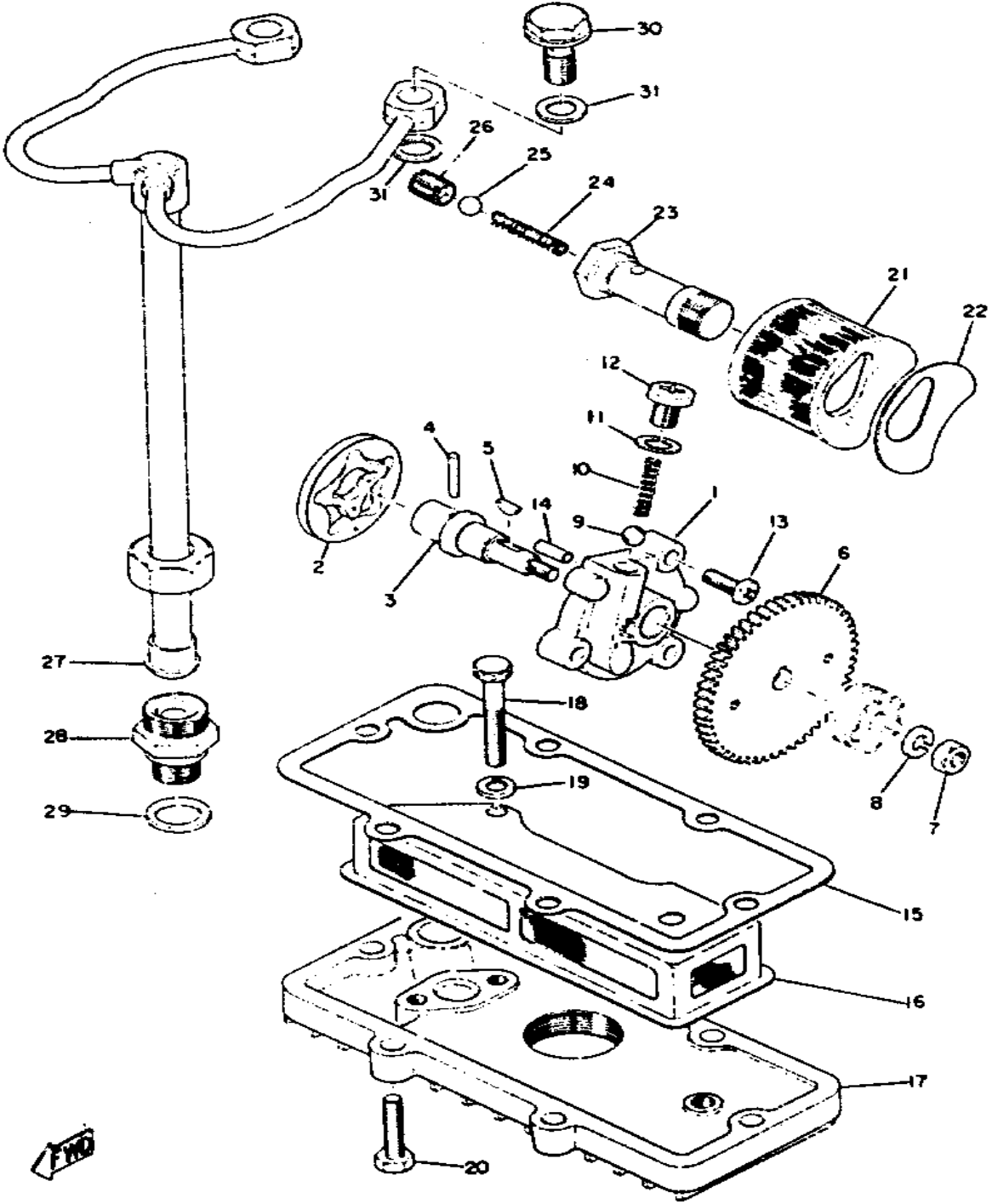
OIL PUMP



Ref. No.	Part Number	Description	Qty	Remarks
1	256-00001-01-00	. COVER, PUMP	1	N/A
	256-13316-02-00	. COVER, PUMP	1	
2	(256-13310-01-00)	ROTOR ASSEMBLY 1	1	
	256-13310-02-00	. ROTOR ASSEMBLY 1	1	130~XS1~022832XS1B022833
3	(256-13314-01-00)	. SHAFT, PUMP	1	
4	93603-17070-00	PIN, DOWEL	1	
5	90280-03023-00	KEY, WOODRUFF	1	
6	256-13325-00-00	GEAR, PUMP DRIVEN	1	
7	95380-06600-00	NUT	1	
8	92995-06100-00	WASHER, SPRING	1	
9	93501-04011-00	BALL	1	
10	(256-13484-00-00)	SPRING, RELIEF	1	PN320
11	90430-08020-00	GASKET	1	PN320
12	92501-08010-00	SCREW, PAN HEAD	1	PN320
13	98580-06020-00	SCREW	3	
14	93604-12037-00	. PIN, DOWEL	2	
15	256-13414-00-00	GASKET, STRNR COVER	1	
16	256-13411-01-00	STRAINER, OIL	1	
17	256-13417-00-00	COVER, STRAINER	1	
18	(95201-06040-00)	BOLT, FLAT HD.DRILL	3	
	97313-06040-00	BOLT, HEXAGON	3	
19	92995-06100-00	WASHER, SPRING	3	
20	97011-06025-00	BOLT (97001-06025)	6	
21	256-13441-00-00	ELEMENT, OIL CLNR	1	
22	256-13445-00-00	GASKET, ELEMENT	1	
23	256-13495-00-00	SCREW	1	
24	90501-07031-00	SPRING, COMPRESSION	1	
25	93501-04011-00	BALL	1	
26	90149-10019-00	SCREW, SPEC'L SHAPE	1	

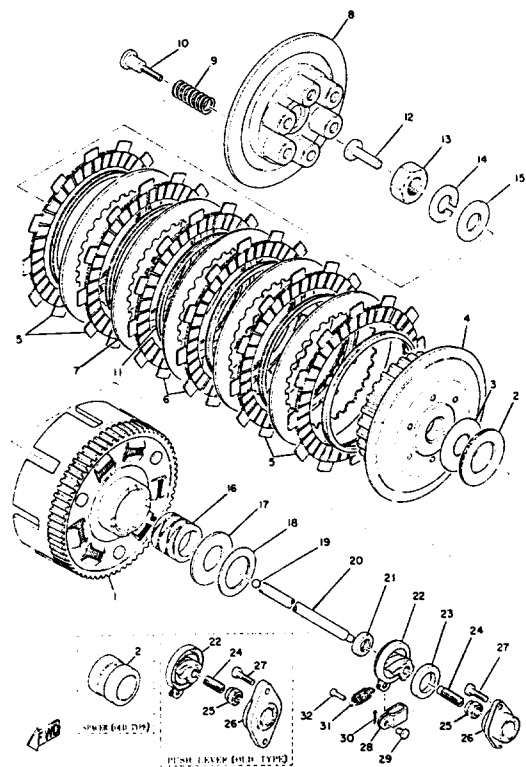
CONTINUED ON NEXT FRAME ►

OIL PUMP



Ref. No.	Part Number	Description	Qty	Remarks
27	256-13161-01-00	PIPE, DELIVERY 1	1	
28	(256-13165-00-00)	BOLT, BANJO	1	
	256-13165-02-00	BOLT, BANJO	1	
29	90430-14043-00	GASKET	1	
30	90401-10004-00	BOLT, UNION	2	
31	90430-10171-00	GASKET	4	
-1	256-00001-01-00	COVER, PUMP	1	PN315

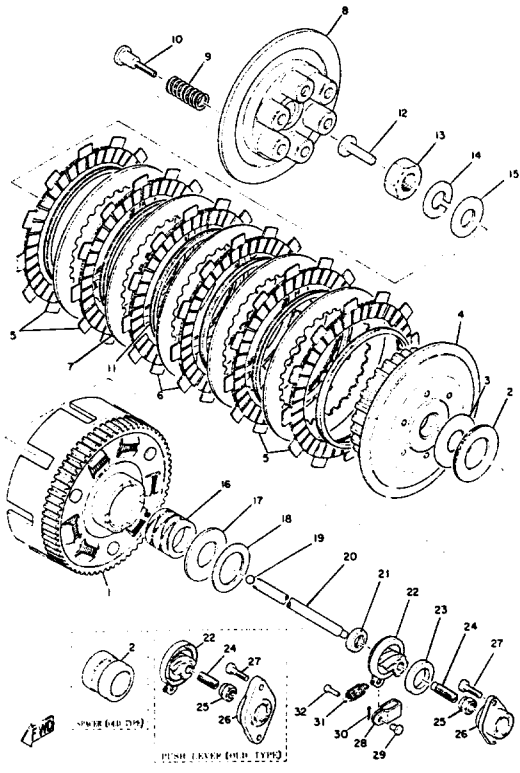
CLUTCH



Ref. No.	Part Number	Description	Qty	Remarks
1	(256-16150-02-00)	. PRI DRVN GEAR	1	
2	93341-23504-00	. BEARING, FLAT # 1	1	
3	170-16164-00-00	. PLATE, THRUST 2	1	
4	(256-16371-09-00)	. BOSS, CLUTCH	1	
5	256-16331-00-00	. PLATE, FRICTION 2	4	
6	341-16321-03-00	. PLATE, FRICTION	2	
7	256-16325-00-00	. PLATE, CLUTCH 2	5	
8	(256-16351-00-00)	. PLATE, PRESSURE 1	1	
9	90501-23142-00	. SPRING, COMPRESSION	6	080~XS1
	90501-26148-00	. SPRING, COMPRESSION	1	080~
10	90149-06102-00	. SCREW, SPEC'L SHAPE	6	
11	256-16367-00-00	. RING, CUSHION	6	
12	256-16356-00-00	ROD, PUSH 1	1	
13	90170-18089-00	NUT, HEXAGON	1	
14	92901-18100-00	WASHER, SPRING	1	
15	92990-18200-00	WASHER	1	
16	90560-25131-00	SPACER	1	
17	170-16164-00-00	PLATE, THRUST 2	1	
18	90201-256K6-00	WASHER, PLATE (0.9T)	1	
19	93505-16006-00	BALL	1	
20	256-16357-00-00	ROD, PUSH 2	1	
21	93102-08118-00	OIL SEAL, SD-TYPE	1	
	93102-08206-00	OIL SEAL, SD-TYPE	1	
22	(256-16340-09-00)	PUSH LEVER ASSEMBLY	1	
	1T3-16340-00-00	PUSH LEVER ASSEMBLY	1	125~
23	214-16347-01-00	SEAL, DUST	1	125~
24	90113-08017-00	BOLT, SET (214-16343-00)	1	
	90113-08021-00	BOLT, SET	1	125~
25	90179-08179-00	NUT	1	

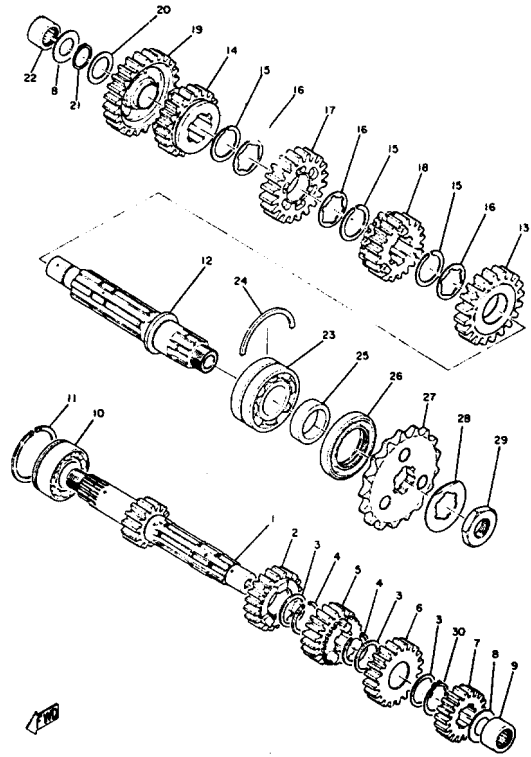
CONTINUED ON NEXT FRAME ➤

CLUTCH



Ref. No.	Part Number	Description	Qty	Remarks
26	256-16396-00-00	HOUSING, PUSH SCREW	1	
	371-16396-00-00	HOUSING, PUSH SCREW	1	125~
27	98580-05012-00	SCREW, PAN HEAD	2	125~
	98580-06018-00	SCREW, PAN HEAD	2	
28	214-16389-00-00	JOINT	1	
29	90240-06005-00	PIN, CLEVIS	1	
30	91401-10015-00	PIN, COTTER	1	
31	90506-10020-00	SPRING, TENSION (137-16345-00)	1	
	90506-10023-00	SPRING, TENSION	1	125~
32	132-16346-00-00	HOOK, SPRING	1	
-1	(256-16301-60-00)	CLUTCH ASSEMBLY	1	

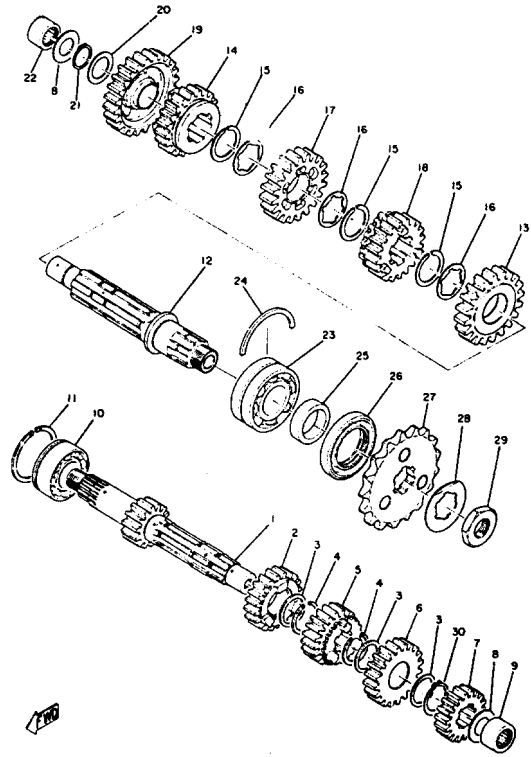
TRANSMISSION



Ref. No.	Part Number	Description	Qty	Remarks
1	(256-17411-00-00)	AXLE, MAIN	1	
	(306-17411-00-00)	AXLE, MAIN	1	
2	(256-17141-01-00)	GEAR, 4TH PINION	1	
3	90201-253K0-00	WASHER, PLATE (T=1.0)	1	
	90201-253K0-00	WASHER, PLATE (T=1.0)	3	
4	93440-25020-00	CIRCLIP	2	
5	(256-17131-00-00)	GEAR, 3RD PINION	1	
6	(256-17131-03-00)	GEAR, 3RD PINION	1	
	(341-17151-03-00)	GEAR, 5TH PINION	1	
	(99999-00906-00)	GEAR 5TH PINION	1	
7	(256-17121-00-00)	GEAR, 2ND PINION	1	
8	(137-17427-00-09)	SHIM 1	2	
	137-17427-00-06	SHIM 1	1	
9	(93313-32006-00)	BEARING, CYLINDER.# 3	1	
	93313-32007-00	BEARING, CYLINDER.# 3	1	234~
10	93305-20504-00	BEARING	1	
11	93440-52014-00	CIRCLIP	1	
12	(256-17421-00-00)	AXLE, DRIVE	1	
13	(256-17231-03-00)	GEAR, 3RD WHEEL	1	
	(99999-00977-00)	3RD 4TH WHEEL GEAR	1	
	256-17221-01-00	. GEAR, 2ND WHEEL	1	
	256-17251-03-00	. GEAR, 5TH WHEEL	1	
14	256-17241-01-00	GEAR, 4TH WHEEL (23T)	1	
15	93440-30015-00	CIRCLIP, OUTER	3	
16	256-17236-00-10	WASHER, GEAR HOLD 3	1	
	256-17236-00-12	WASHER, GEAR HOLD 3	3	
17	(256-17231-03-00)	GEAR, 3RD WHEEL	1	
	(99999-00977-00)	3RD 4TH WHEEL GEAR	1	
	256-17221-01-00	. GEAR, 2ND WHEEL	1	

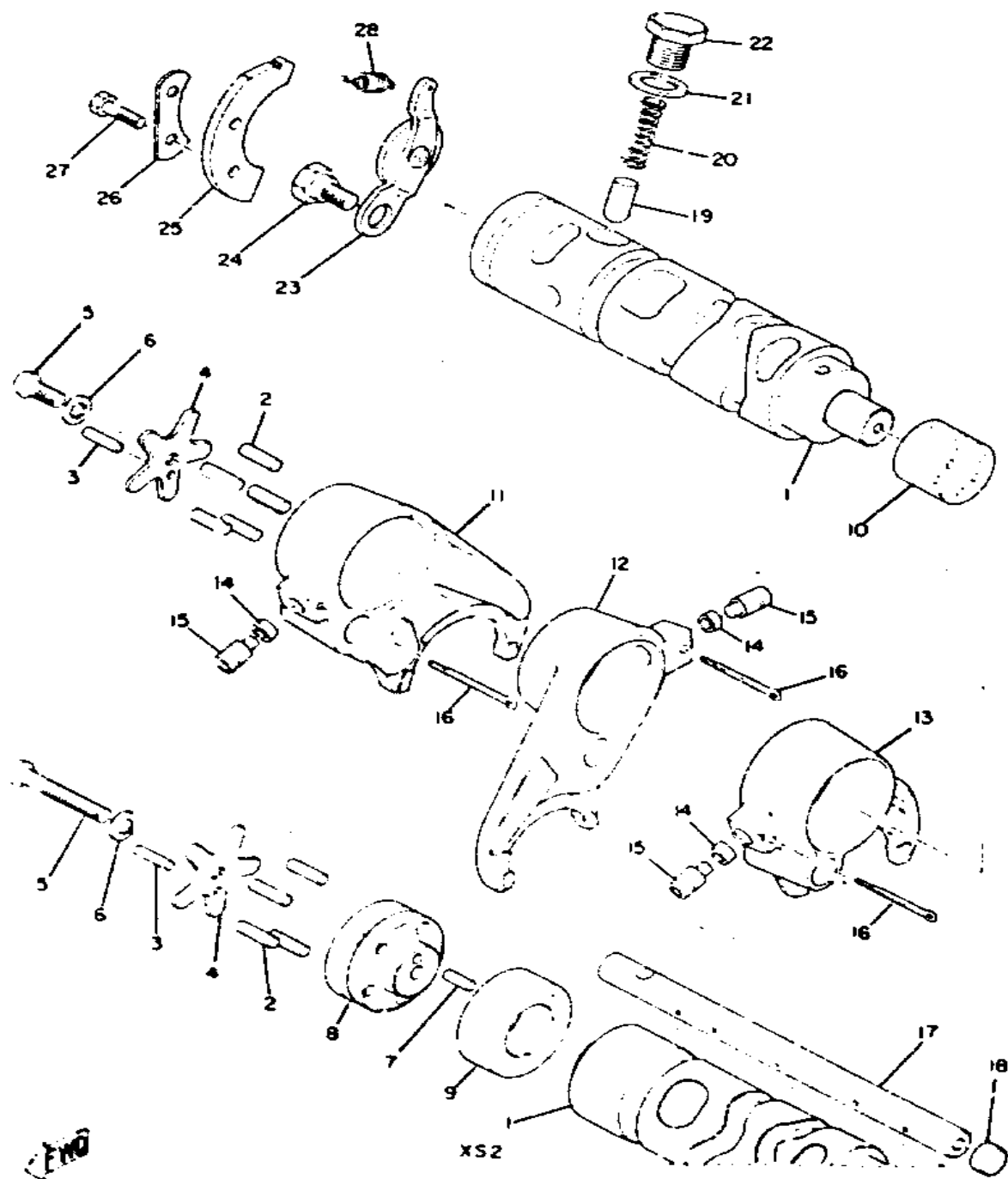
CONTINUED ON NEXT FRAME ➤

TRANSMISSION



Ref. No.	Part Number	Description	Qty	Remarks
17	256-17251-03-00	. GEAR, 5TH WHEEL	1	
18	(256-17231-03-00)	GEAR, 3RD WHEEL	1	
	(99999-00977-00)	3RD 4TH WHEEL GEAR	1	
	256-17221-01-00	. GEAR, 2ND WHEEL	1	
	256-17251-03-00	. GEAR, 5TH WHEEL	1	
19	(256-17211-00-00)	GEAR, 1ST WHEEL	1	
	306-17211-00-00	GEAR, 1ST WHEEL	1	
20	90201-20266-00	WASHER, PLATE (1.0T)	1	
21	93410-20021-00	CIRCLIP, S-TYPE	1	
22	93313-32005-00	BEARING, CYLINDER.# 3	1	
23	93305-20603-00	BEARING	1	
24	168-17424-00-00	CIRCLIP 1	1	
25	90387-30200-00	COLLAR	1	
26	93105-40018-00	OIL SEAL, SDD-TYPE	1	
27	93855-17129-00	SPROCKET, DRIVE	1	
28	90215-26024-00	WASHER, LOCK	1	
29	90179-22022-00	NUT, SPEC'L SHAPE	1	
30	93410-25017-00	CIRCLIP	1	XS1/XS1B
	93440-25020-00	CIRCLIP	1	

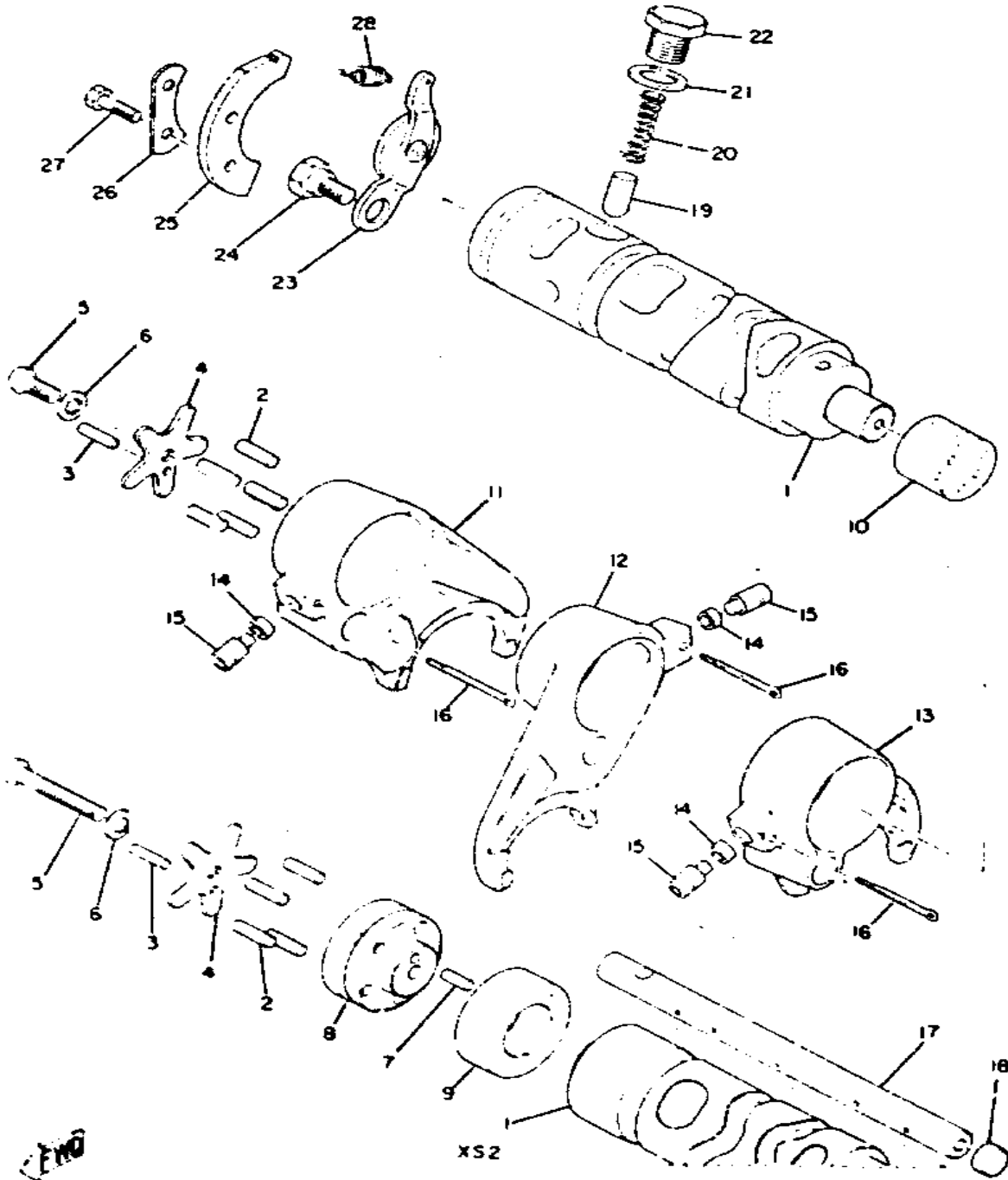
SHIFTER A



Ref. No.	Part Number	Description	Qty	Remarks
1	NOTAVAILABLE	FOOTREST, RIGHT	1	
2	93604-14012-00	. PIN, DOWEL	4	
	93604-14012-00	. PIN, DOWEL	5	
3	93603-14026-00	. PIN, DOWEL	1	
4	(168-18563-01-00)	. SCREW, STPPR PLATE	1	
5	98501-05035-00	. SCREW, PAN HEAD	1	
	98501-05046-00	. SCREW, PAN HEAD	1	
	98580-05012-00	. SCREW, PAN HEAD	1	
6	92990-05300-00	. WASHER, INTERNAL TOOTH	1	
7	93604-10011-00	. PIN, DOWEL	2	
8	(306-18546-00-00)	. CAM, SHIFT 2	1	
9	(93318-32003-00)	. BEARING, CYLINDER.# 8 ...	1	
10	93320-31501-00	BEARING, CYLINDER.# 0	1	
11	256-18513-00-00	FORK, SHIFT 3	1	
12	256-18512-00-00	FORK, SHIFT 2	1	
13	256-18511-00-00	FORK, SHIFT 1	1	
14	136-18551-00-00	ROLLER, CAM FOLWR	3	
15	(168-18553-00-00)	PIN, COTTER	3	
	(90249-05041-00)	PIN, SPEC"L SHAPE	3	
	90249-08001-00	PIN, SPEC"L SHAPE (256-18552-00) 0 3	3	113~
	91401-25030-00	PIN, COTTER	3	113~
17	256-18531-00-00	BAR, SHIF FRK GDE 1	1	
18	90334-10006-00	PLUG, STRAIGHT	1	
	90334-10007-00	PLUG, STRAIGHT (256-15439-00)	1	
19	137-18547-00-00	STOPPER, CAM	1	
20	(90501-09051-00)	SPRING, COMPRESSION	1	
	90501-10068-00	SPRING, COMPRESSION	1	

CONTINUED ON NEXT FRAME ►

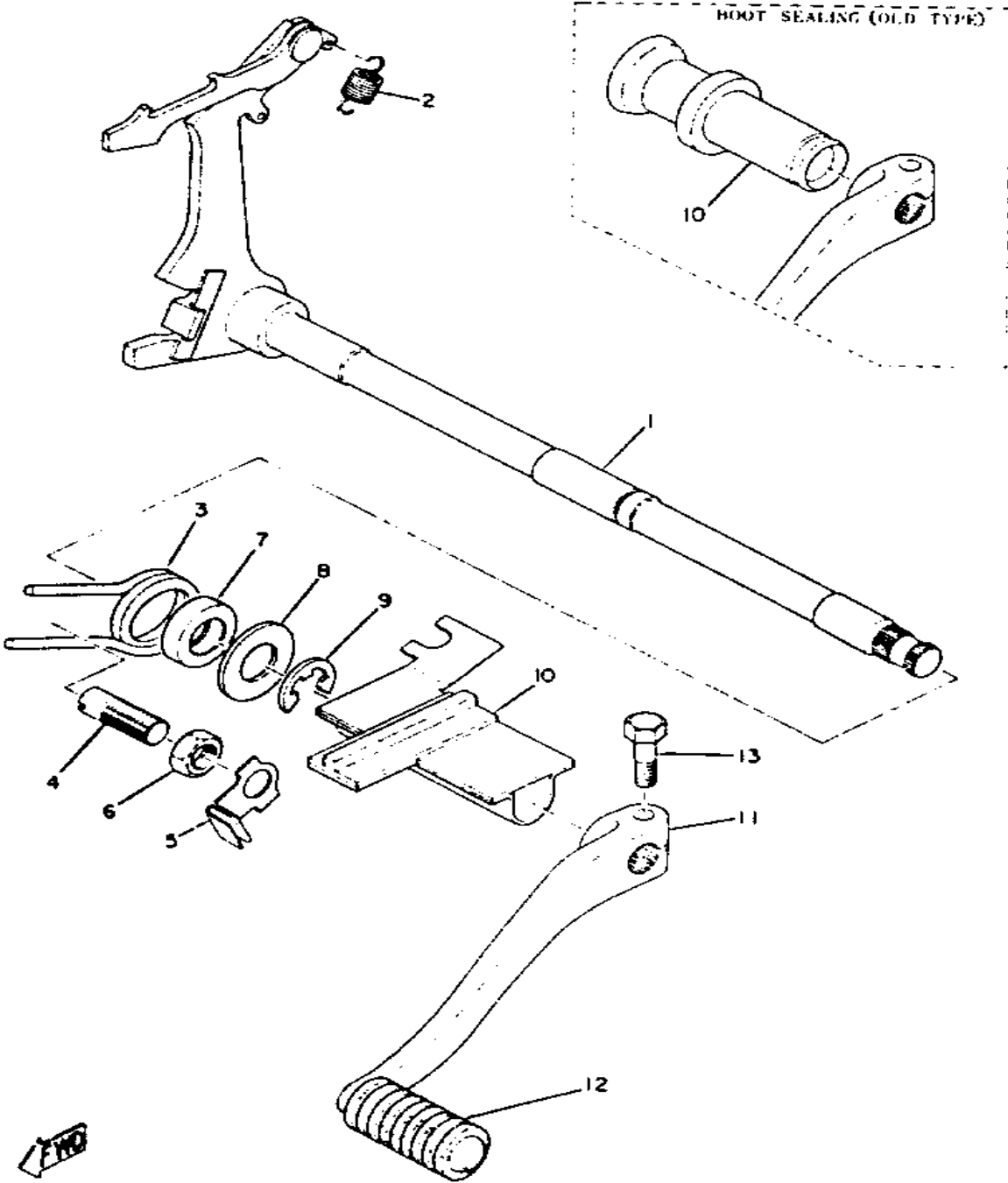
SHIFTER A



Ref. No.	Part Number	Description	Qty	Remarks
21	90430-16047-00	GASKET	1	
22	90109-16392-00	BOLT	1	
23	341-18140-00-00	STOPPER LEVER ASSEMBLY	1	
24	90109-06181-00	BOLT	1	
25	256-18562-00-00	PLATE, STOPPER 2	1	
26	256-18565-00-00	PLATE, LOCK SCREW	1	
27	90101-06091-00	BOLT	2	
28	90506-10022-00	SPRING, TENSION	1	
-1	(256-18540-00-00)	SHIFT CAM ASSEMBLY	1	
	306-18540-00-00	SHIFT CAM ASSEMBLY	1	

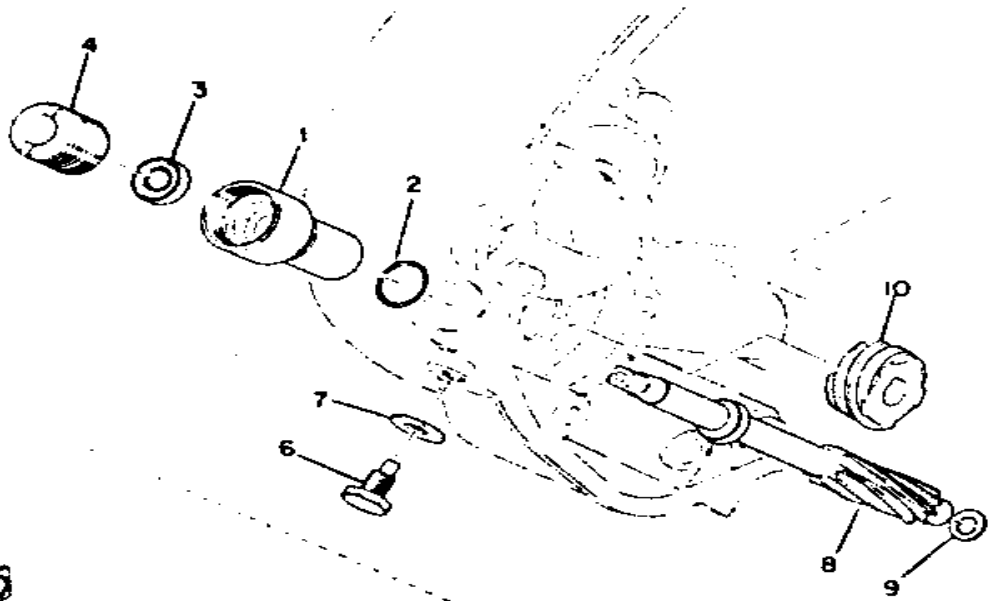
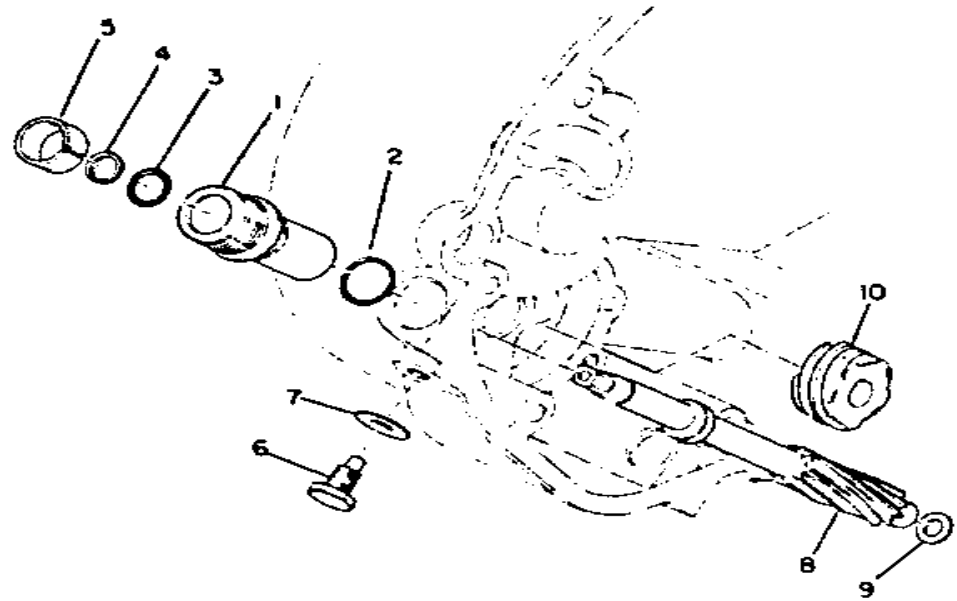
END

SHIFTER B



Ref. No.	Part Number	Description	Qty	Remarks
1	256-18101-02-00	SHIFT SHAFT ASSEMBLY. 1	1	
	2J2-18111-01-00	PEDAL, SHIFT	1	
2	90506-08007-00	SPRING, TENSION	1	
3	90508-32559-00	SPRING, TORSION	1	
4	(90149-10018-00)	SCREW, SPEC'L SHAPE	1	
5	(256-18139-00-00)	WASHER, LOCK	1	
	90215-10105-00	WASHER, LOCK	1	
6	90170-10038-00	NUT, HEXAGON	1	
7	93109-14010-00	OIL SEAL, SDO-TYPE	1	
8	90201-14220-00	WASHER, PLATE	1	
9	99001-12600-00	CIRCLIP	1	
10	256-17466-00-00	GUIDE, CHAIN 0 1	1	136~
12	132-18113-01-00	COVER, SHIFT PEDAL	1	
13	97313-06020-00	BOLT, HEXAGON	1	

TACHOMETER GEAR

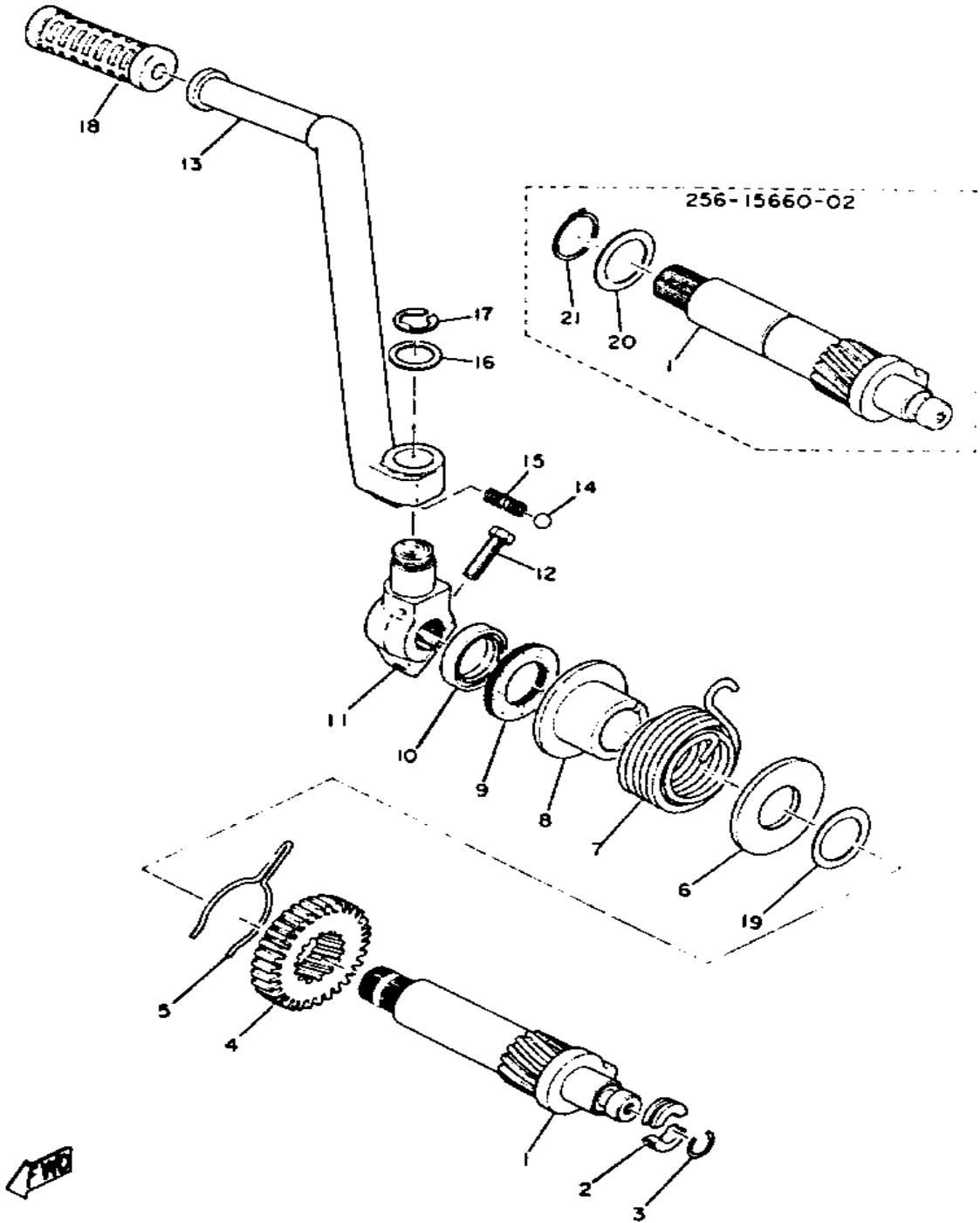


(NEW TYPE)

Ref. No.	Part Number	Description	Qty	Remarks
1	(99999-00908-00)	HOUSING, TACH GEAR	1	
	256-17811-01-00	. HOUSING, TACH GEAR	1	
	256-17811-01-00	HOUSING, TACH GEAR	1	968~
	256-17841-01-00	. GEAR, DRIVEN	1	
	256-17848-00-00	. ADAPTER	1	
	93104-07036-00	. OIL SEAL, SO-TYPE	1	
2	93210-11313-00	O-RING	1	
3	93104-07036-00	OIL SEAL, SO-TYPE	1	968~
	93210-07438-00	O-RING	1	
4	214-17847-00-00	SHIM (7.5-10.8-0.4)	1	
	256-17848-00-00	ADAPTER	1	968~
5	90383-10005-00	BUSH, FORMED (214-17815-00)	17	968~DISCONTINUED
6	90109-06076-00	BOLT	1	
7	90430-06014-00	GASKET	1	
8	(99999-00908-00)	HOUSING, TACH GEAR	1	
	256-17841-01-00	GEAR, DRIVEN	1	968~
9	90201-08624-00	WASHER, PLATE	1	
10	256-17831-00-00	GEAR, DRIVE	1	

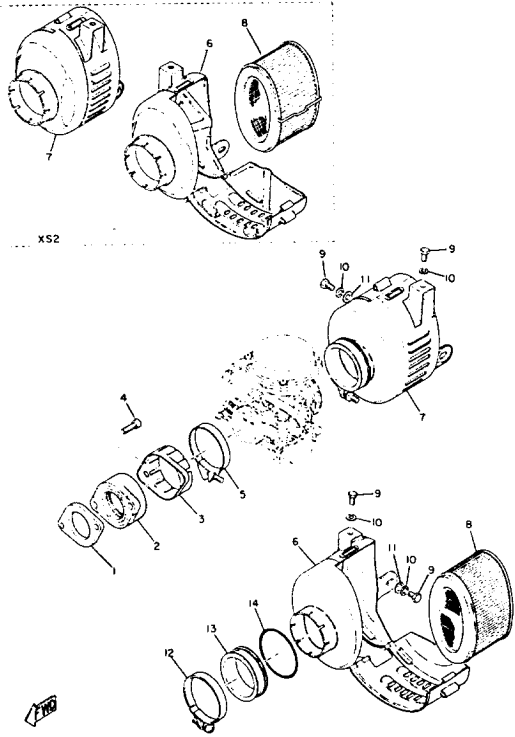
FWD

STARTER



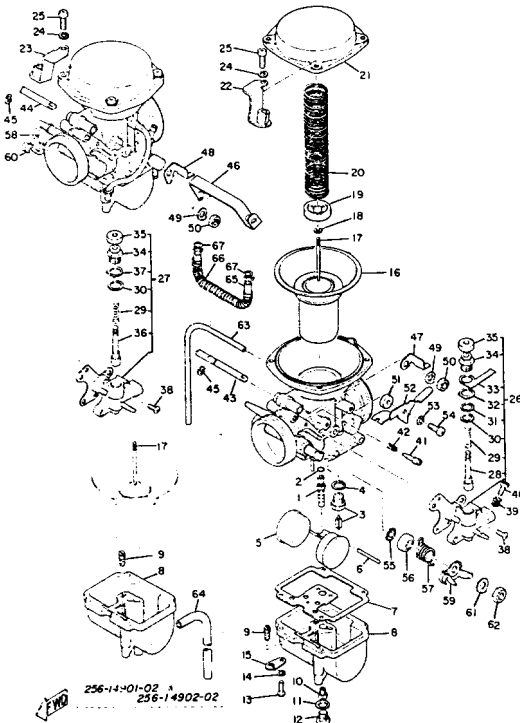
Ref. No.	Part Number	Description	Qty	Remarks
1	(256-15660-02-00)	KICK AXLE ASSEMBLY	1	
2	(256-15654-00-00)	HOLDER, KICK GEAR	2	
3	(256-15673-00-00)	CLIP	1	
4	(256-15641-01-00)	GEAR, KICK	1	
	306-15641-01-00	GEAR, KICK	1	
5	90468-26045-00	CLIP (256-15687-00)	1	
6	90560-25048-00	SPACER (856-23858-00)	1	
7	90508-32062-00	SPRING, TORSION	1	
8	256-15664-01-00	GUIDE, SPRING	1	
9	93342-22502-00	BEARING, THRUST	8	442~ DISCONTINUED
10	93102-25064-00	OIL SEAL	1	
11	256-15621-00-00	BOSS, KICK CRANK (256-15621-00)	1	
	341-15621-00-00	BOSS, KICK CRANK (256-15621-00)	1	
12	97313-08030-00	BOLT, HEXAGON	1	
13	2M0-15620-02-00	KICK CRANK ASSEMBLY	1	
	447-15611-00-93	KICK CRANK ASSEMBLY	1	
14	93505-16006-00	BALL	1	
15	(90501-15091-00)	SPRING, COMPRESSION	1	
16	90201-17256-00	WASHER, PLATE	1	
17	93430-12022-00	CIRCLIP, E-TYPE	1	
18	214-15618-00-00	COVER, KICK LEVER	1	
19	611-45567-00-05	SHIM (0.5MM)	1	
20	90201-256K6-00	WASHER, PLATE (0.9T)	2	442~
21	93410-25017-00	CIRCLIP	1	442~

INTAKE



Ref. No.	Part Number	Description	Qty	Remarks
1	256-13556-01-00	GASKET, MANIFOLD	2	
2	256-13565-00-00	JOINT, CARBURETOR	2	
3	256-13564-00-00	COVER, CARB.JOINT	2	
4	91316-06020-00	BOLT, SOCKET HEAD	4	
5	90460-58015-00	CLAMP, HOSE	2	
6	(256-14411-00-00) (306-14411-00-00)	CASE, AIR CLEANER 1	1	
7	(256-14421-00-00) (306-14421-00-00)	CASE, AIR CLEANER 2	1	
8	256-14451-00-00 306-14451-00-00	ELEMENT, AIR CLNR	2	
9	97313-06016-00	BOLT, HEXAGON	4	
10	92995-06100-00	WASHER, SPRING	4	
11	90201-06038-00	WASHER, PLATE	2	
12	90460-61063-00	CLAMP, HOSE (256-14455-00)	2	
13	341-14453-00-00	JOINT, AIR CLNR 1	2	
14	90506-06006-00 (256-14487-00)	SPRING, TENSION	2	

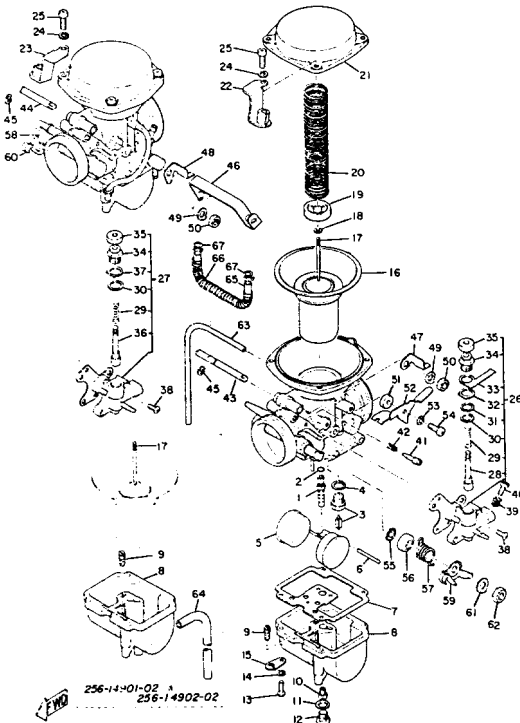
CARBURETOR (XS1 - XS1B)



Ref. No.	Part Number	Description	Qty	Remarks
1	(256-14941-86-00)	Z 6	2	
2	93210-03142-00	. O-RING	2	
3	168-14190-15-00	. NEEDLE VALVE ASSEMBLY	2	
	23L-14107-25-00	. NEEDLE VALVE SET	2	
4	256-14955-00-00	. WASHER	2	
5	256-14985-00-00	. FLOAT	2	
6	127-14186-00-00	. PIN, FLOAT	2	
7	256-14984-00-00	. GASKET, FLOAT CHMBR	2	
8	(256-14981-00-00)	BODY, FLOAT CHAMBER	2	
	(256-14981-01-00)	BODY, FLOAT CHAMBER 0 2	3	629~
9	256-14942-45-00	. JET, PILOT (NO. 45)	2	
	4G0-14142-42-A0	. JET, PILOT (#42.5)	3	629~
10	256-14944-26-00	. JET, MAIN 130 (#130)	2	
	3G2-14231-24-00	. JET, MAIN (#120)	2	
	3G2-14231-28-00	. JET, MAIN (#140)	2	
	3G2-14231-30-A0	. JET, MAIN (#150)	2	
11	256-14956-01-00	. WASHER	2	
12	256-14991-00-00	. SCREW	2	
13	98511-04012-00	. SCREW, PAN HEAD	8	
14	92901-04100-00	. WASHER, SPRING	8	
15	256-14146-01-00	. PLATE	2	
16	256-14940-00-00	. DIAPHRAGM ASSEMBLY	2	
17	256-14916-19-00	. NEEDLE (4JN19-4)	2	
18	256-14919-00-00	. CLIP	2	
19	256-14946-00-00	. PLATE, NEEDLE FTNG	2	
20	256-14933-00-00	. SPRING, DIAPHRAGM	2	
21	(256-14958-00-00)	COVER, DIAPHRAGM	2	
22	(447-14926-00-00)	BRACKET, THROTTLE 1	1	
23	(341-14927-00-00)	BRACKET, THROTTLE 2	1	

CONTINUED ON NEXT FRAME ►

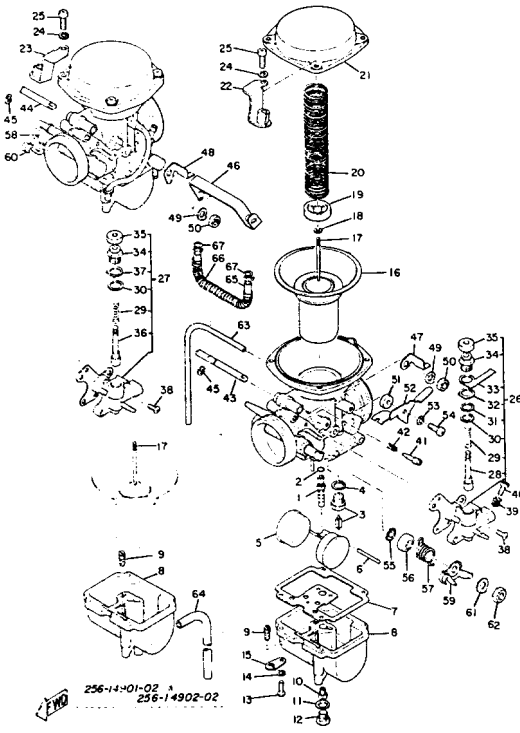
CARBURETOR (XS1 - XS1B)



Ref. No.	Part Number	Description	Qty	Remarks
24	92990-05100-00	. WASHER, SPRING	8	
25	98580-05012-00	. SCREW, PAN HEAD	8	
26	(256-14971-00-00)	BODY, STARTER 1	1	
27	(256-14972-00-00)	BODY, STARTER 2	1	
28	(256-14993-00-00)	PLUNGER, STARTER	1	LEFT
29	256-14135-00-00	.. SPRING, PLUNGER	2	
30	256-14954-00-00	.. WASHER	2	
31	(256-14995-00-00)	BRACKET	1	LEFT
32	(256-14957-00-00)	WASHER	1	LEFT
33	(256-14938-00-00)	SPRING	1	LEFT
34	802-14174-00-00	.. CAP, PLUNGER	2	
35	802-14173-00-00	.. COVER, PLUNGER CAP ...	2	
36	603-14171-00-00	.. PLUNGER, STARTER	1	RIGHT
37	(256-14962-00-00)	WASHER	1	RIGHT
38	98703-05010-00	. SCREW, FLAT HEAD (98602-05010)	6	
39	256-14934-01-00	. SPRING, THRTL STOP	2	
40	256-14922-01-00	. SCREW, THROTTLE	2	
41	(256-14923-00-00)	SCREW, PILOT	2	
42	127-14134-00-00	. SPRING, AIR ADJUSTING ...	2	
43	256-14979-00-00	. GASKET, STARTER	1	
44	(256-14978-00-00)	SHAFT, STARTER LVR	1	
45	256-14937-00-00	. CLIP	2	
46	(256-14974-00-00)	LEVER, CONNECT	1	
47	(256-14975-00-00)	LEVER, STARTER 1	1	
48	(256-14976-00-00)	LEVER, STARTER 2	1	
49	(256-14973-00-00)	WASHER	2	
50	95303-10700-00	. NUT	2	
51	256-14918-00-00	. RING	1	

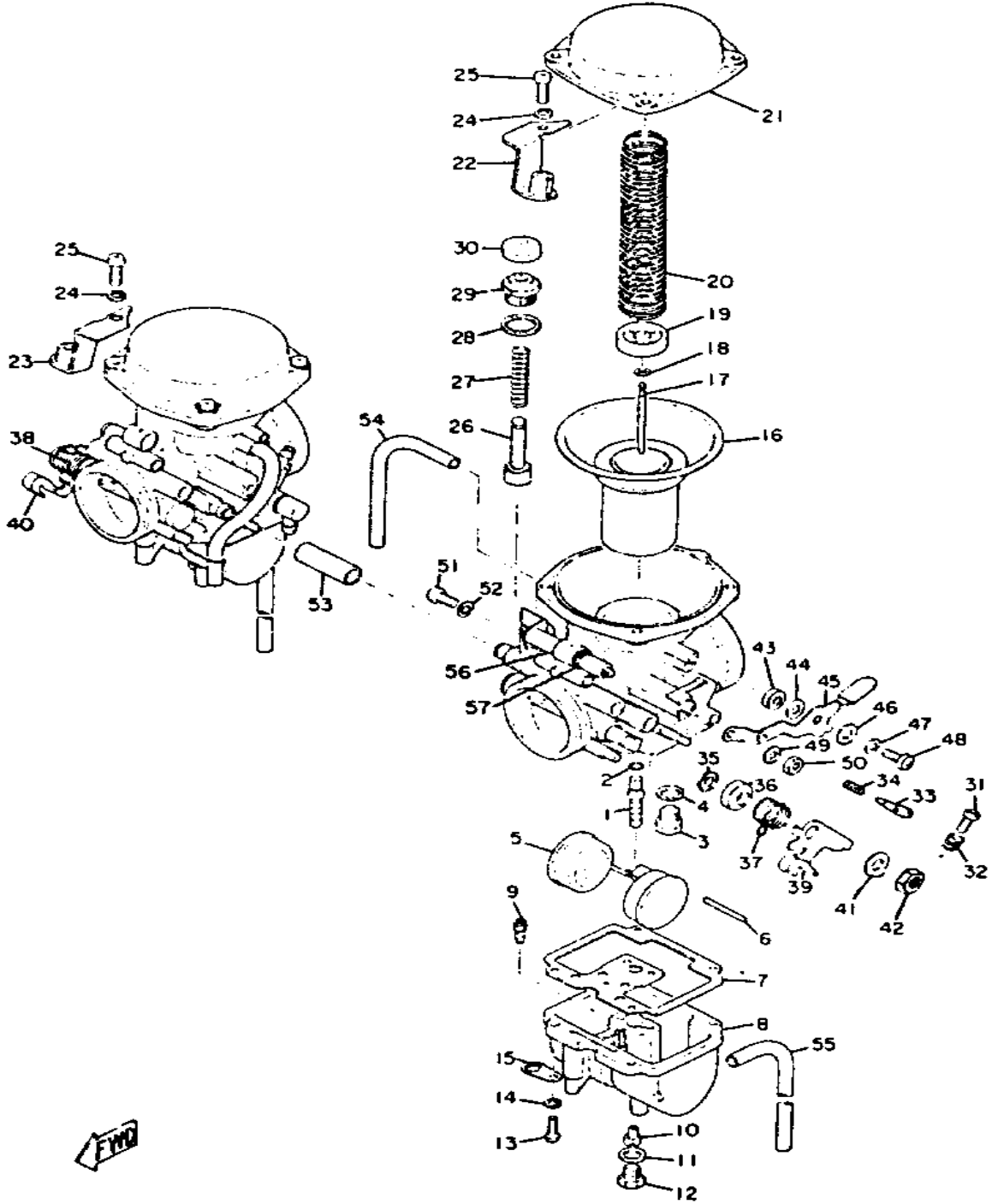
CONTINUED ON NEXT FRAME ►

CARBURETOR (XS1 - XS1B)



Ref. No.	Part Number	Description	Qty	Remarks
52	(256-14905-00-00)	LEVER, STARTER	1	
53	92901-04100-00	. WASHER, SPRING	1	
54	98511-04012-00	. SCREW, PAN HEAD	1	
55	256-14997-00-00	. SEAL	4	
56	(256-14969-00-00)	CAP	2	
57	(256-14931-00-00)	SPRING, THRTL LEVER	1	
58	(256-14932-00-00)	SPRING, THRTL 2	1	
59	(256-14914-00-00)	LEVER, THROTTLE	1	
60	(256-14915-00-00)	LEVER, THROTTLE	1	
61	256-14953-00-00	. WASHER	2	
62	95303-12600-00	. NUT	2	
63	(256-14197-01-00)	PIPE, AIRVENT	2	
	183-14197-01-00	. PIPE, AIRVENT	2	
64	(256-14987-00-00)	HOSE	3	629~
65	90445-09079-00	HOSE (5-140) (170-24311-00)	1	
66	(90501-06028-00)	SPRING, COMPRESSION	1	
67	90467-08003-00	CLIP	2	
-1	(306-14901-03-00)	CARBURETOR ASSEMBLY 1	1	
-2	306-14902-03-00	CARBURETOR ASSEMBLY 2	1	

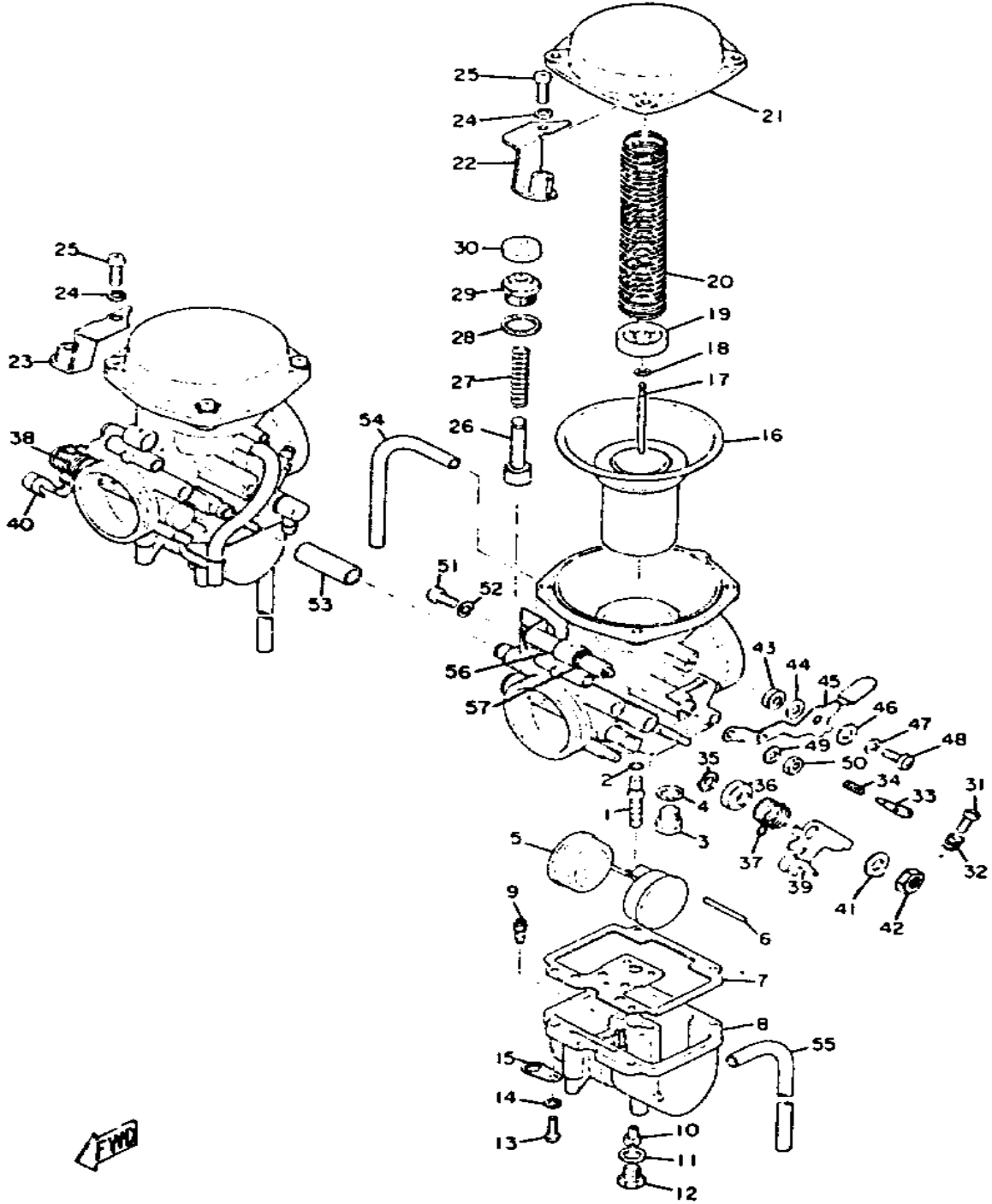
CARBURETOR (XS2) (TX650)



Ref. No.	Part Number	Description	Qty	Remarks
1	(256-14941-86-00)	Z 6	2	
2	93210-03142-00	. O-RING	2	
3	168-14190-20-00	. NEEDLE VALVE ASSEMBLYASSY	2	
4	214-14195-00-00	. WASHER, NEEDLE VALVE ..	2	
5	256-14985-00-00	. FLOAT	2	
6	127-14186-00-00	. PIN, FLOAT	2	
7	256-14984-00-00	. GASKET, FLOAT CHMBR ...	2	
8	447-14981-00-00	. BODY, FLOAT CHAMBER ...	2	
9	4G0-14142-42-A0	. JET, PILOT (#42.5)	2	
10	256-14944-26-00	. JET, MAIN 130 (#130)	2	
11	256-14956-01-00	. WASHER	2	
12	256-14991-00-00	. SCREW	2	
13	98511-04012-00	. SCREW, PAN HEAD	8	
14	92901-04100-00	. WASHER, SPRING	8	
15	256-14146-01-00	. PLATE	2	
16	256-14940-00-00	. DIAPHRAGM ASSEMBLY ...	2	
17	256-14916-19-00	. NEEDLE (4JN19-4)	2	
18	256-14919-00-00	. CLIP	2	
19	256-14946-00-00	. PLATE, NEEDLE FTNG	2	
20	256-14933-00-00	. SPRING, DIAPHRAGM	2	
21	(256-14958-00-00)	COVER, DIAPHRAGM	2	
22	(447-14926-00-00)	BRACKET, THROTTLE 1	1	
23	(341-14927-00-00)	BRACKET, THROTTLE 2	1	
24	92990-05100-00	. WASHER, SPRING	8	
25	98580-05012-00	. SCREW, PAN HEAD	8	
26	(306-14171-01-00)	PLUNGER, STARTER	1	
27	256-14135-00-00	. SPRING, PLUNGER	1	
28	(306-14954-00-00)	WASHER	1	

CONTINUED ON NEXT FRAME ►

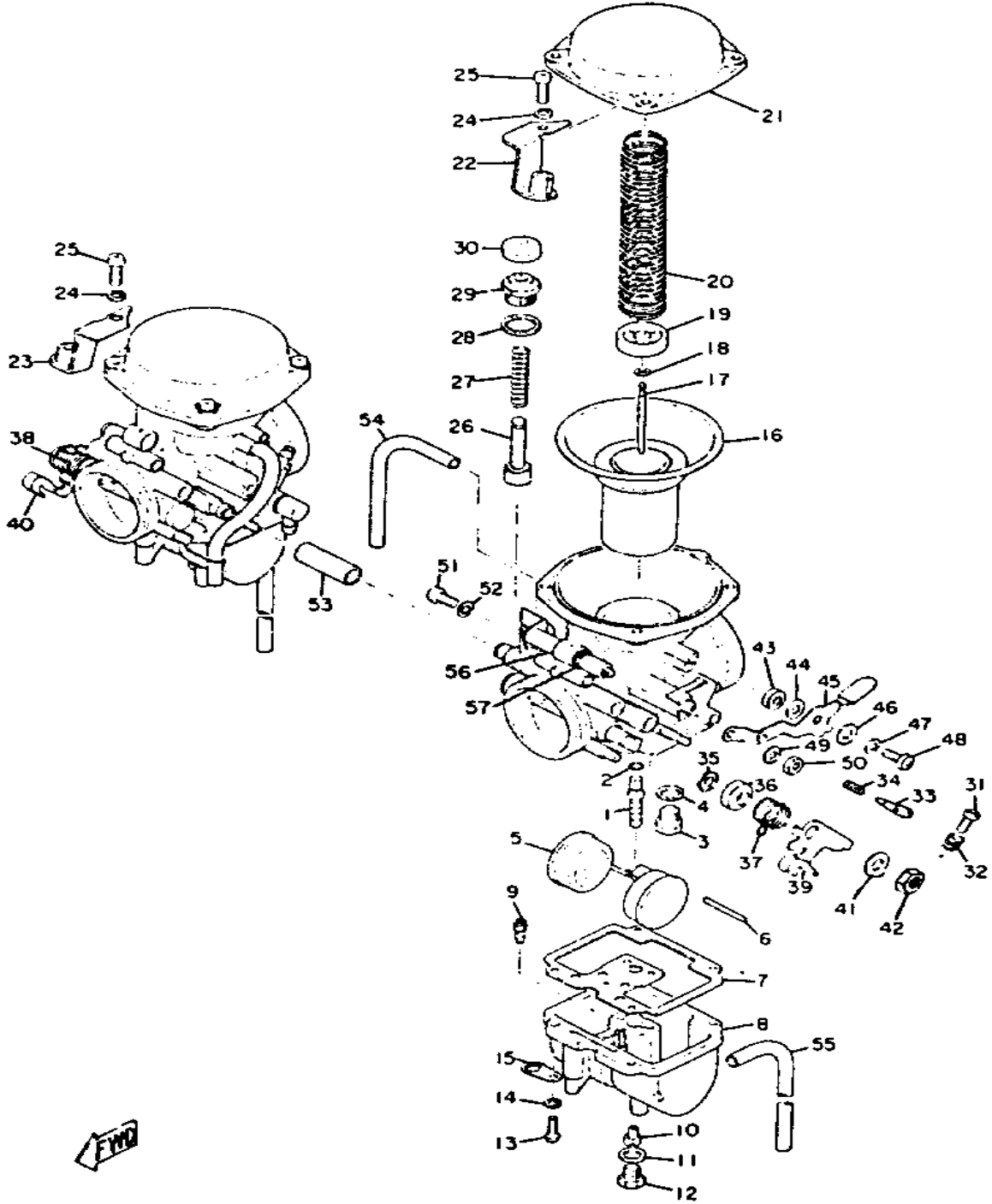
CARBURETOR (XS2) (TX650)



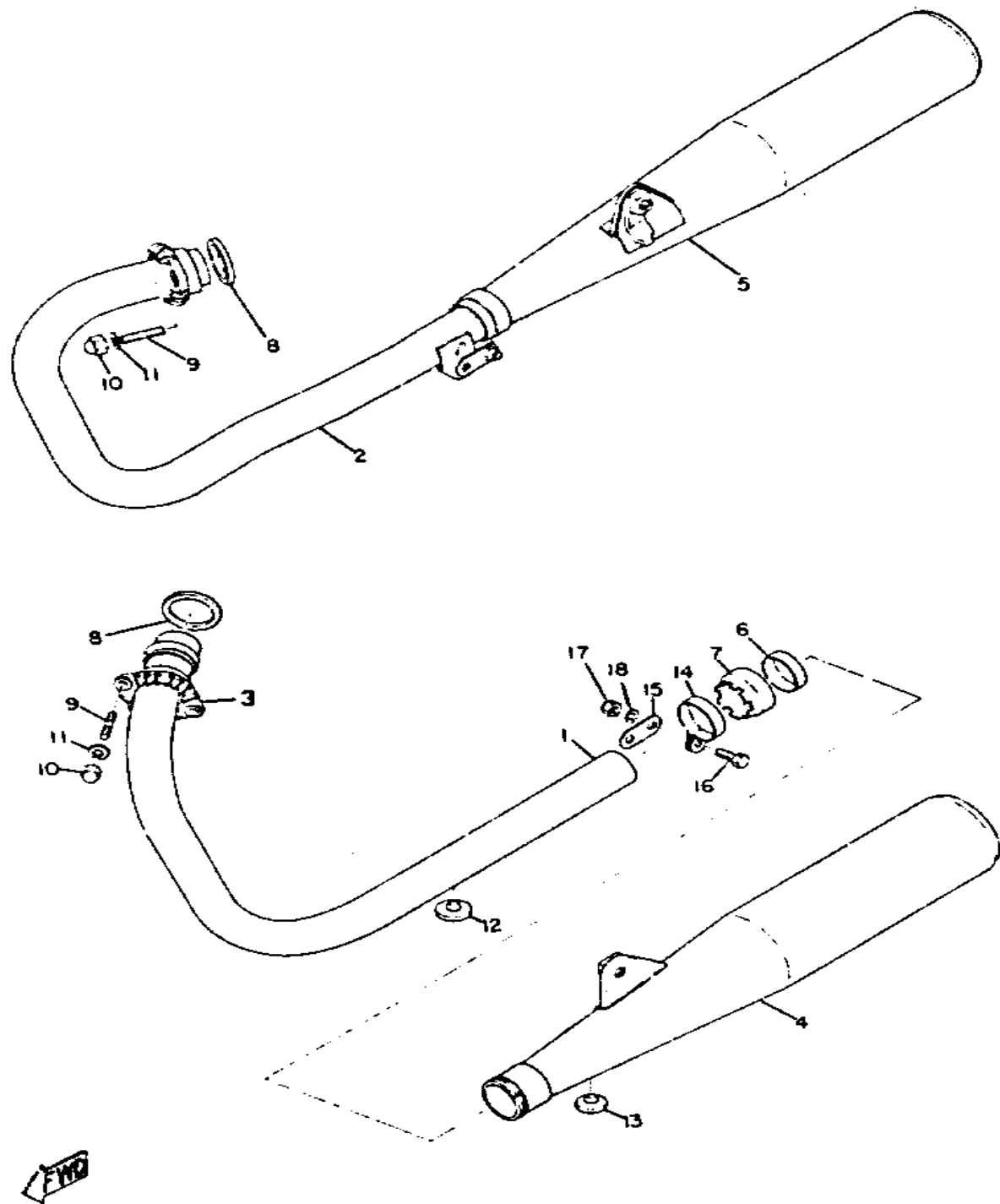
Ref. No.	Part Number	Description	Qty	Remarks
29	(306-14174-00-00)	CAP, PLUNGER	1	
30	306-14173-00-00	. COVER, PLUNGER CAP	1	
31	256-14922-01-00	. SCREW, THROTTLE	2	
32	256-14934-01-00	. SPRING, THRTL STOP	2	
33	(256-14923-00-00)	SCREW, PILOT	2	
34	127-14134-00-00	. SPRING, AIR ADJUSTING ...	2	
35	256-14997-00-00	. SEAL	4	
36	(306-14969-00-00)	CAP	2	
37	(306-14931-00-00)	SPRING, THRTL LEVER	1	
38	(306-14932-00-00)	SPRING, THRTL 2	1	
39	(306-14964-00-00)	LEVER, THROTTLE 2	1	
40	(306-14915-00-00)	LEVER, THROTTLE	1	
41	256-14953-00-00	. WASHER	2	
42	95303-12600-00	. NUT	2	
43	256-14918-00-00	. RING	1	
44	256-14955-00-00	. WASHER	1	
45	306-14905-02-00	. LEVER, STARTER	1	
46	256-14952-00-00	. WASHER	1	
47	92901-04100-00	. WASHER, SPRING	1	
48	98511-04012-00	. SCREW, PAN HEAD	1	
49	(256-14973-00-00)	WASHER	1	
50	95303-10700-00	. NUT	1	
51	98511-04012-00	. SCREW, PAN HEAD	3	
52	92901-04100-00	. WASHER, SPRING	3	
53	(306-14988-00-00)	PIPE, STARTER CON	1	
54	(256-14197-01-00)	PIPE, AIRVENT	2	
55	(256-14987-00-00)	HOSE	2	
56	(306-14977-00-00)	SHAFT, STARTER LVR	1	PN343
57	256-14937-00-00	CLIP	1	PN343

CONTINUED ON NEXT FRAME ►

CARBURETOR (XS2) (TX650)



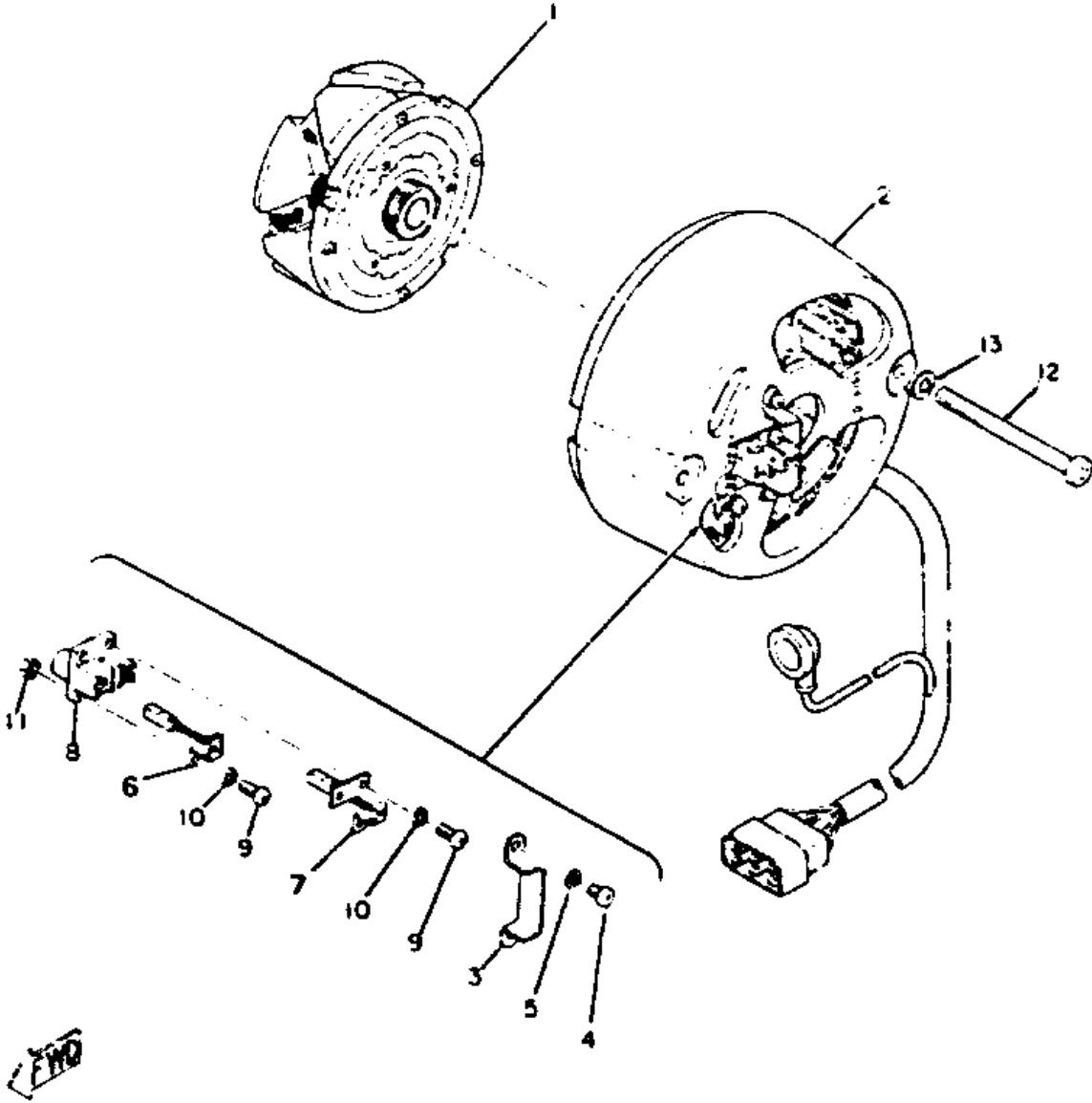
Ref. No.	Part Number	Description	Qty	Remarks
-1	(306-14901-03-00)	CARBURETOR ASSEMBLY 1	. 1	PN338
-2	306-14902-03-00	CARBURETOR ASSEMBLY 2	. 1	PN338



EXHAUST

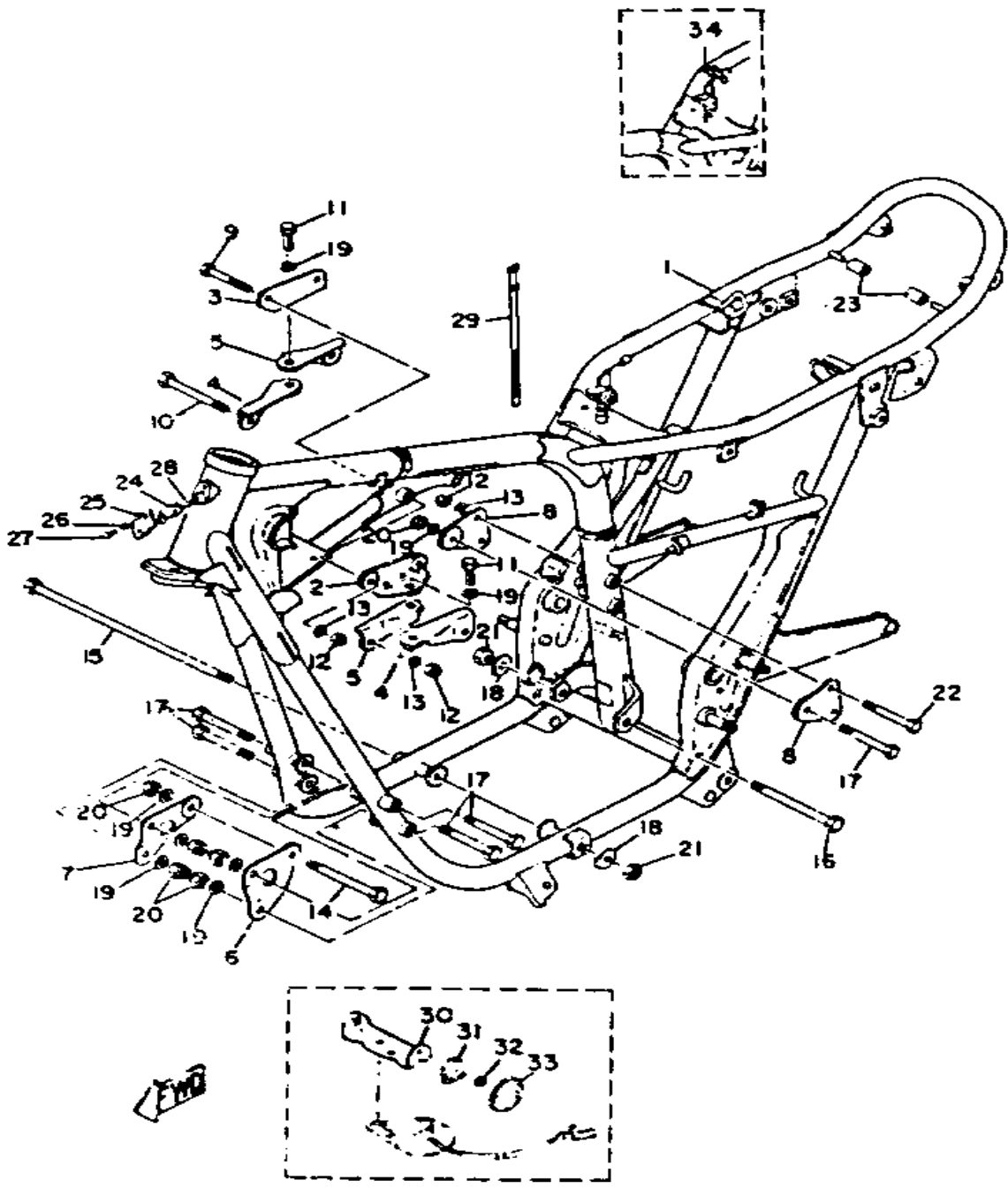
Ref. No.	Part Number	Description	Qty	Remarks
1	(256-14611-02-00)	PIPE, EXHAUST L	1	
	(306-14611-00-00)	PIPE, EXHAUST L	1	
2	(256-14621-02-00)	PIPE, EXHAUST R	1	
	(306-14621-00-00)	PIPE, EXHAUST R	1	
4	(256-14711-04-00)	MUFFLER L	1	
5	(256-14721-04-00)	MUFFLER R	1	
6	256-14714-00-00	GASKET, MUFFLER	2	
7	(256-14713-01-00)	NUT, MUFFLER JOINT	2	
8	90430-38054-00	GASKET	2	
9	90116-08166-00	BOLT, STUD (246-14651-00) ..	4	
	90116-10195-00	BOLT, STUD	4	
10	90176-08019-00	NUT, CROWN	4	
	95303-10800-00	NUT (CROWN) (92803-10700) .	4	
11	92990-08100-00	WASHER	4	
	92990-10100-00	LOCKWASHER	4	
12	(256-27314-00-00)	STOPPER	1	
13	116-27114-00-00	STOPPER, MAIN STAND	1	
14	(90460-44054-00)	CLAMP, HOSE	2	
15	(256-14772-00-00)	STAY, MUFFLER 2	2	
16	97001-08025-00	BOLT (1NV)	2	
17	95611-08100-00	NUT, U	2	
18	92990-08100-00	WASHER	2	

A - C - GENERATOR



Ref. No.	Part Number	Description	Qty	Remarks
1	256-81650-11-00	. ROTOR ASSEMBLY	1	
2	306-81610-12-00	. STATOR ASSEMBLY	1	
3	(256-81614-10-00)	PROTECTOR	1	
4	98580-04008-00	.. SCREW, PAN HEAD	2	
5	92901-04100-00	.. WASHER, SPRING	2	
6	256-81611-11-00	.. BRUSH 1	1	
7	256-81612-11-00	.. BRUSH 2	1	
8	256-81613-10-00	.. HOLDER, BRUSH	1	
9	98511-04012-00	. SCREW, PAN HEAD	4	
10	92901-04100-00	.. WASHER, SPRING	4	
11	95301-04600-00	.. NUT	1	
12	98501-06075-00	SCREW, PAN HEAD	2	
13	92995-06100-00	WASHER, SPRING	2	
-1	(99999-00904-00)	A C GEN ASSEMBLY	1	
	(99999-00904-00)	A C GEN ASSEMBLY	1	PN315 HITACHI
	136-82540-00-00	NEUTRAL SWITCH ASSEMBLY	1	
	306-81600-14-00	AC GENERATOR ASSEMBLY .	1	

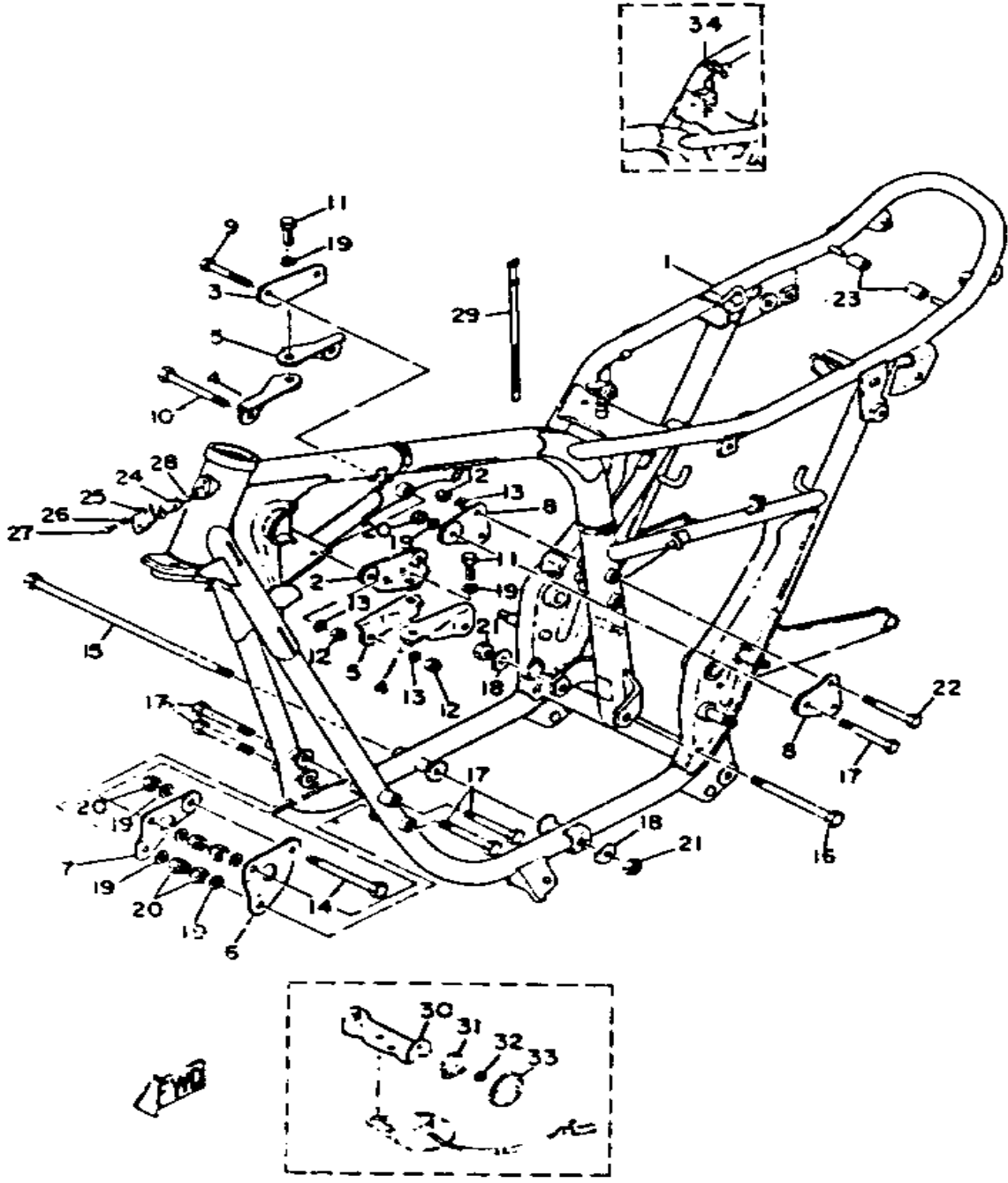
FRAME - ENGINE BRACKET



Ref. No.	Part Number	Description	Qty	Remarks
1	(256-21110-03-33)	FRAME	1	
2	(256-21314-00-00)	STAY, ENGINE 1	1	
3	(256-21315-00-00)	STAY, ENGINE 2	1	
4	256-21316-01-00	STAY, ENGINE 3	2	
5	256-21317-01-00	STAY, ENGINE 4	2	
6	(256-21318-00-00)	STAY, ENGINE 5	1	
	(256-21318-01-00)	STAY, ENGINE 5 0 0	1	833~
7	(256-21319-00-00)	STAY, ENGINE 6	1	
	(256-21319-01-00)	STAY, ENGINE 6 0 0	1	833~
8	(256-21387-00-00)	STAY, ENGINE 7	2	
9	97013-08060-00	BOLT (663)	2	
10	97023-08090-00	BOLT (97321-08090)	2	
11	97011-10025-00	BOLT	2	
12	95611-08100-00	NUT, U	6	
13	92990-08100-00	WASHER	6	
14	90105-10039-00	BOLT, WASHER BASED	1	
15	90101-10078-00	BOLT (256-21482-00)	1	
16	90101-10074-00	BOLT	1	
17	95811-10070-00	BOLT, flange (95812-10070-00)	5	
18	90215-10006-00	WASHER, LOCK (256-21491-00)	2	
19	92990-10100-00	LOCKWASHER	8	
20	90185-10031-00	NUT, SELF-LOCKING	6	
21	95303-10600-00	NUT (95301-10600)	2	
22	97021-08070-00	BOLT	2	
23	256-21638-00-00	DAMPER 1	2	
24	341-23408-01-00	STEERING LOCK ASSEMBLY (214-23480-00)	1	
25	(134-23484-10-00)	CAP, HANDLE LOCK	1	
26	90206-04003-00	WASHER, WAVE (214-23488-00)	1	

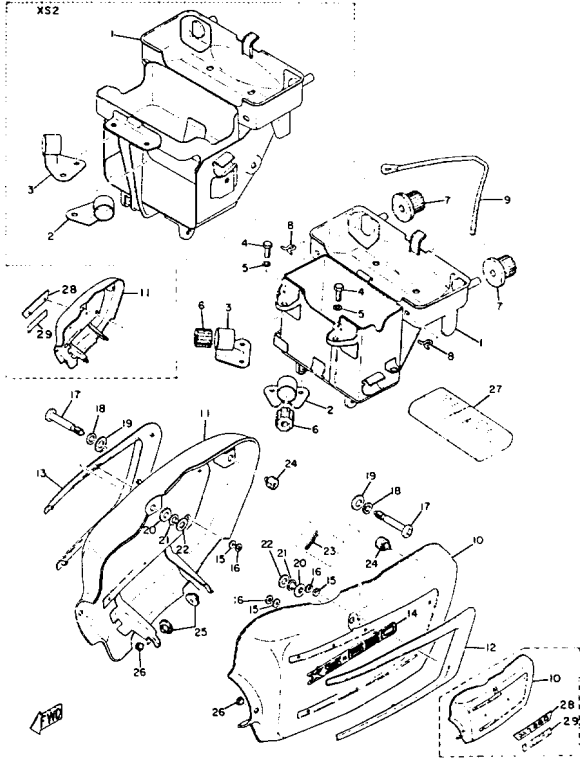
CONTINUED ON NEXT FRAME ►

FRAME - ENGINE BRACKET



Ref. No.	Part Number	Description	Qty	Remarks
27	90269-04003-00	RIVET	1	
28	90502-08005-00	SPRING, CONICAL (214-23485-00)	1	
29	25G-83936-01-00	BAND, SWITCH CORD	3	
30	(366-85112-01-00)	BRACKET, RFLCTR 1	1	
31	(256-23162-60-00)	COVER, RFLCTR STAY	2	
32	92990-05100-00	WASHER, SPRING	2	
33	355-85111-01-00	REFLECTOR, FRONT 1	2	
34	437-83936-01-00	BAND, SWITCH CORD	2	

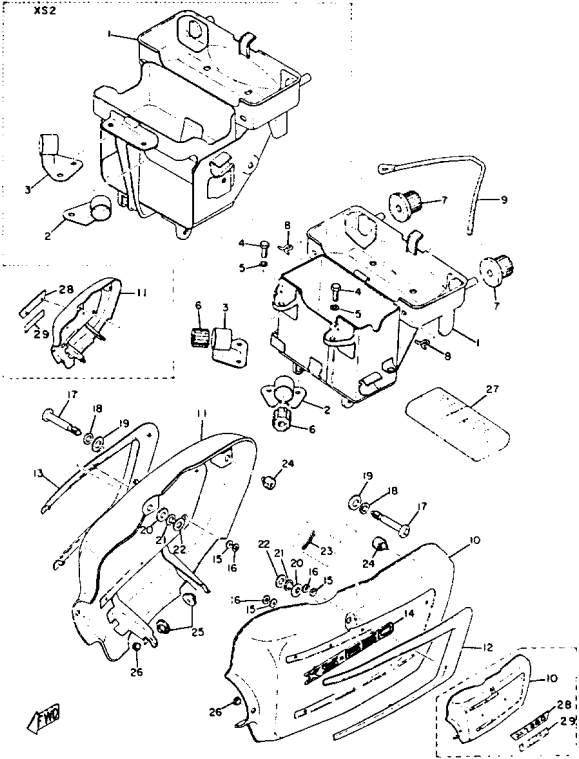
SIDE COVER - BOX COMP -



Ref. No.	Part Number	Description	Qty	Remarks
1	(256-21170-00-33)	BOX	1	
	(306-21170-01-33)	BOX, BATT.	1	
2	(256-21149-00-00)	BRACKET, BATT BOX	1	
	(306-21149-00-00)	BRACKET, BATT BOX	1	
3	(256-21344-00-00)	BRACKET, BATT BOX	1	
	(306-21344-00-00)	BRACKET, BATT BOX	1	
4	97313-06016-00	BOLT, HEXAGON	2	
5	92995-06100-00	WASHER, SPRING	2	
6	2J2-21729-00-00	CLAMP, DAMPER	2	
7	256-21747-00-00	DAMPER	2	
8	256-21366-00-00	HOOK, TOOL BAND	2	
9	256-21376-00-00	BAND, TOOL	1	
10	(256-21711-01-52)	COVER, SIDE 1		CANDY ORANGE
	(366-21711-00-F5)	COVER, SIDE 1	1	
	256-21711-01-63	COVER, SIDE 1	1	BRILLIANT RED
	256-21711-01-K9	COVER, SIDE 1	1	CANDY GREEN
	(256-21711-01-64)	COVER, SIDE 1	1	CANDY GREEN
11	(256-21721-01-52)	COVER, SIDE 2	1	CANDY ORANGE
	(256-21721-01-63)	COVER, SIDE 2	1	BRILLIANT RED
	(256-21721-01-K9)	COVER, SIDE 2	1	CANDY GREEN
	(366-21721-00-F5)	COVER, SIDE 2	1	
12	256-21781-00-00	MOLD 1	1	
13	256-21782-00-00	MOLD 2	1	
14	306-21786-00-00	EMBLEM 6	2	BRILLIANT RED
	306-21786-00-00	EMBLEM 6	2	CANDY GREEN
	306-21786-00-00	EMBLEM 6	2	CANDY ORANGE PN315
15	90202-04003-00	WASHER, PLATE	18	
16	90183-04005-00	NUT, SPRING	18	

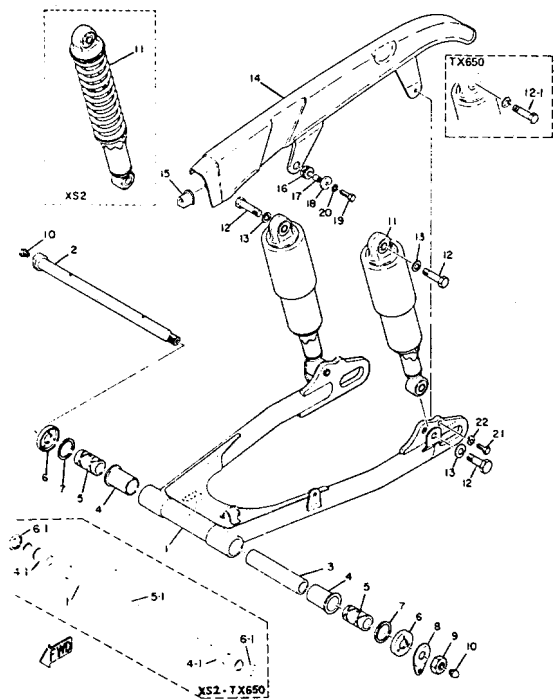
CONTINUED ON NEXT FRAME ►

SIDE COVER - BOX COMP -



Ref. No.	Part Number	Description	Qty	Remarks
17	90109-08189-00	BOLT (256-21712-02) 0 2	2	254~
18	(90202-08020-00)	WASHER, PLATE	2	
	90201-10123-00	WASHER, PLATE (10.5-18-1.6) (256-21715-00) 0 2	2	254~
	92990-08200-00	WASHER, PLAIN		472~
19	90202-10023-00	WASHER, PLATE (10-18-1.5) (256-21725-00) 0 2	2	254~
20	90201-084M4-00	WASHER, PLATE (90201-08088-00)	2	254~
21	92990-08100-00	WASHER	2	254~
22	90179-08035-00	NUT, SPEC'L SHAPE	2	
23	90468-10050-00	CLIP	2	254DISCONTINUED
24	(137-21778-00-00)	DAMPER, LOCATING 1	2	
25	256-21746-00-00	DAMPER	4	
26	256-21717-00-00	DAMPER	2	
27	447-W2810-11-00	TOOL KIT (256-28100-10)	1	
28	(366-21787-00-00)	EMBLEM 7	2	
29	341-21785-00-00	EMBLEM 5	2	

REAR ARM - REAR CUSHION - CHAIN C

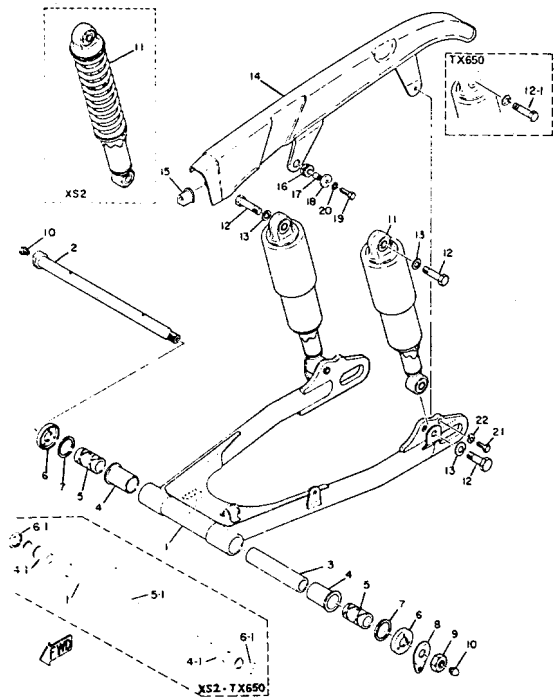


The swing arm pivot shaft end is fitted with a grease zerk fitting. Pressure feed a small amount of grease into this fitting after the first 1 000 miles.

Ref. No.	Part Number	Description	Qty	Remarks
1	(256-22110-00-33)	REAR ARM	1	
2	(256-22141-00-00)	SHAFT, PIVOT	1	
	256-22141-02-00	SHAFT, PIVOT 0 0	1	392~
3	90387-16128-00	COLLAR (150-22126-00)	1	PN321
4	(ACC-11110-41-01)	BRNZE BUSH XS1-XS1B	2	PN398A
	90386-22018-00	BUSH, SPEC'L NYLON (148-22123-00)	2	
	90386-22102-00	BUSH, SPEC'L NYLON	2	
5	341-22184-00-00	BUSH	1	PN398A
	90387-16226-00	COLLAR (150-22124-00)	2	
6	1A0-22128-00-00	COVER, THRUST 1	2	PN398A
	341-22128-01-00	COVER, THRUST 1	2	
7	240-22127-00-00	SHIM	1	U.R.U.R.U.R.U.R.
8	90215-14055-00	WASHER, LOCK	1	U.R.U.R.U.R.U.R.
9	95312-14600-00	NUT	1	
10	93700-06M03-00	NIPPLE, GREASE	2	
11	(256-22210-01-52)	SHK/ABS ASSEMBLY, REAR	2	CANDY ORANGE
	(256-22210-01-64)	SHK/ABS ASSEMBLY, REAR	2	CANDY GREENPN315
	(306-22210-29-00)	SHK/ABS ASSEMBLY, REAR	2	
12	(306-92282-90-00)	BOLT REAR CUSHION	2	
	90106-10025-00	BOLT, DOME HEAD	4	
13	92990-10100-00	LOCKWASHER	4	
14	256-22311-00-93	CASE, CHAIN	1	PN315
15	(256-22332-00-00)	DAMPER, CHAIN CASE	1	
16	90480-13163-00	GROMMET	1	
17	90387-062N2-00	COLLAR	1	
18	90209-06026-00	WASHER, SPEC'L SHAP (256-21515-00)	1	
19	97023-06020-00	BOLT (3XF)	1	

CONTINUED ON NEXT FRAME ►

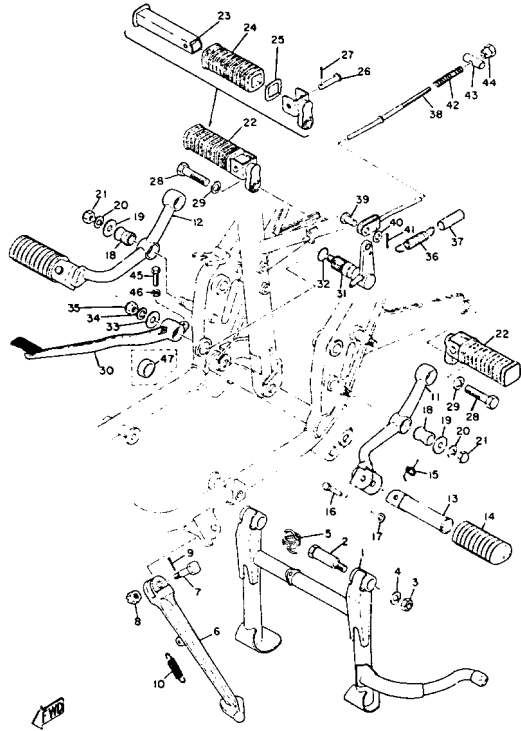
REAR ARM - REAR CUSHION - CHAIN CA



The swing arm pivot shaft end is fitted with a grease zerk fitting. Pressure feed a small amount of grease into this fitting after the first 1 000 miles.

Ref. No.	Part Number	Description	Qty	Remarks
20	92995-06100-00	WASHER, SPRING	1	
21	97011-06016-00	BOLT	1	
22	(90215-07034-00)	WASHER, LOCK	1	

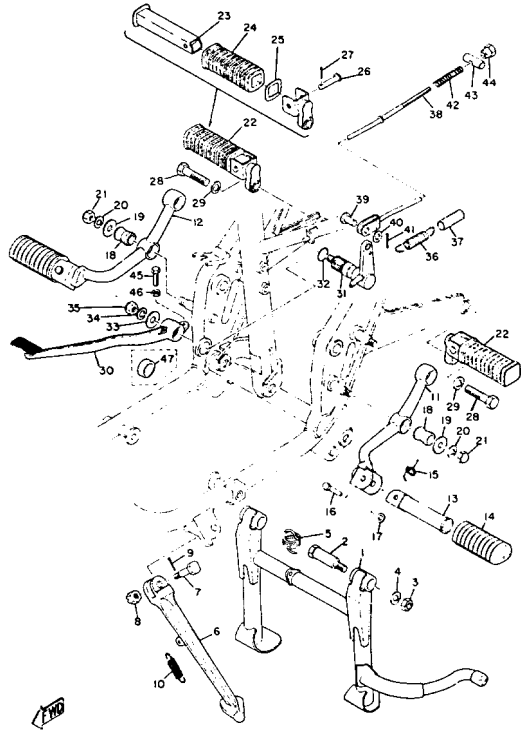
STAND - FOOT REST - BRAKE PEDAL



Ref. No.	Part Number	Description	Qty	Remarks
1	(256-27111-09-00)	STAND, MAIN	1	
2	90109-10015-00	BOLT (256-27112-01)	2	
3	90185-10031-00	NUT, SELF-LOCKING	2	
	95303-10600-00	NUT (95301-10600)	2	
4	92990-10100-00	LOCKWASHER	2	
5	90506-50064-00	SPRING, TENSION	1	
6	256-27311-00-00	STAND, SIDE	1	
7	90109-08185-00	NO LONGER AVAILABLE (156-27317-00)	1	
8	95301-08900-00	NUT, SLOTTED (98801-08500)	1	
9	91490-20020-00	PIN, COTTER	1	
10	90507-25003-00	SPRING, TENSION (183-27316-00)	1	
11	NOTAVAILABLE	FOOTREST, RIGHT	1	
12	NOTAVAILABLE	FOOTREST, RIGHT	1	
13	256-27451-00-00	. FOOTREST	2	
14	256-27413-00-00	. COVER, FOOTREST	2	
15	90508-20023-00	SPRING, TORSION	2	
16	90243-08006-00	PIN	2	
17	90201-06042-00	WASHER, PLATE	2	
18	256-27414-00-00	DAMPER, FOOTREST	4	
19	90201-08107-00	WASHER, PLATE	6	411~
	90201-10437-00	WASHER, PLATE	4	
	90201-14218-00	WASHER, PLATE	4	
20	92990-08100-00	WASHER	6	411~
	92990-10100-00	LOCKWASHER	4	
21	95303-08800-00	NUT (CROWN) (95301-08800)	6	411~
	95303-10800-00	NUT (CROWN) (92803-10700)	4	
22	256-27430-00-00	RR FOOTREST ASSEMBLY 1	2	

CONTINUED ON NEXT FRAME ►

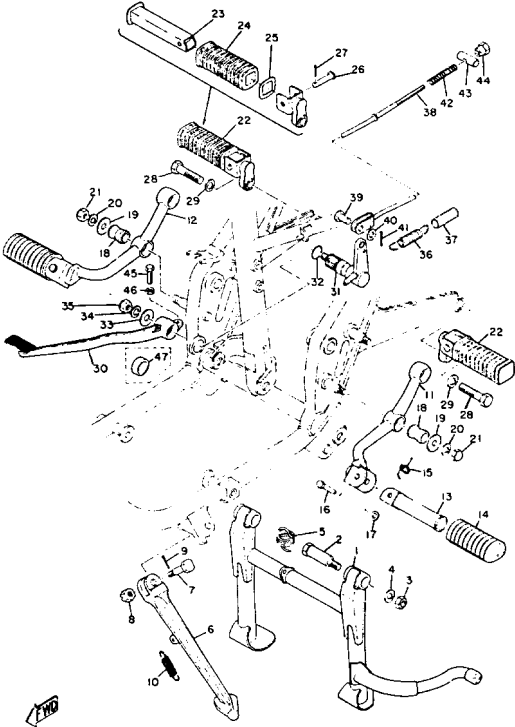
STAND - FOOT REST - BRAKE PEDAL



Ref. No.	Part Number	Description	Qty	Remarks
23	168-27431-10-00	. FOOTREST, REAR 1	2	
24	307-27433-00-00	. COVER, RR FOOTREST	2	
25	90209-18117-00	. WASHER, SPEC'L SHAP (168-27437-10)	2	
26	91701-06035-00	. PIN, CLEVIS	2	
27	91490-16020-00	. PIN, COTTER	2	
28	90101-12480-00	BOLT (97201-12060)	2	
29	92901-12100-00	WASHER, SPRING	2	
30	(256-27211-00-93)	PEDAL, BRAKE	1	
31	(256-27212-01-00)	SHAFT, BRAKE PEDAL 0 1	1	411~
32	93210-18113-00	NO LONGER AVAILABLE	1	
33	90201-10437-00	WASHER, PLATE	1	
	90201-14218-00	WASHER, PLATE	1	
34	92990-10100-00	LOCKWASHER	1	
35	95303-10800-00	NUT (CROWN) (92803-10700)	1	
36	90506-23045-00	SPRING, TENSION	1	
37	(90445-19259-00)	HOSE	1	
38	256-27231-00-00	ROD, BRAKE	1	
39	90240-08013-00	PIN, CLEVIS	1	
40	90201-08083-00	WASHER, PLATE	1	
41	91490-20020-00	PIN, COTTER	1	
42	90501-10073-00	SPRING, COMPRESSION (168-27236-00)	1	
43	90249-12007-00	PIN, SPEC'L SHAPE (168-27237-00)	1	
44	90179-07031-00	NUT, SPEC'L SHAPE (168-27238-00)	1	
45	97011-06025-00	BOLT (97001-06025)	1	
46	95380-06700-00	NUT	1	
47	90387-20155-00	COLLAR	1	

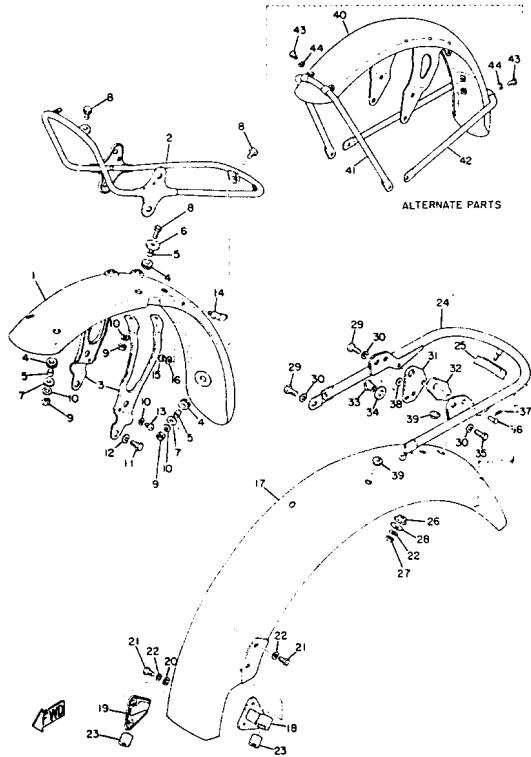
CONTINUED ON NEXT FRAME ►

STAND - FOOT REST - BRAKE PEDAL



Ref. No.	Part Number	Description	Qty	Remarks
-1	(256-27410-00-00)	FRT FOOTREST ASSEMBLY L	1	
	(256-27420-00-00)	FRT FOOTREST ASSEMBLY R	1	

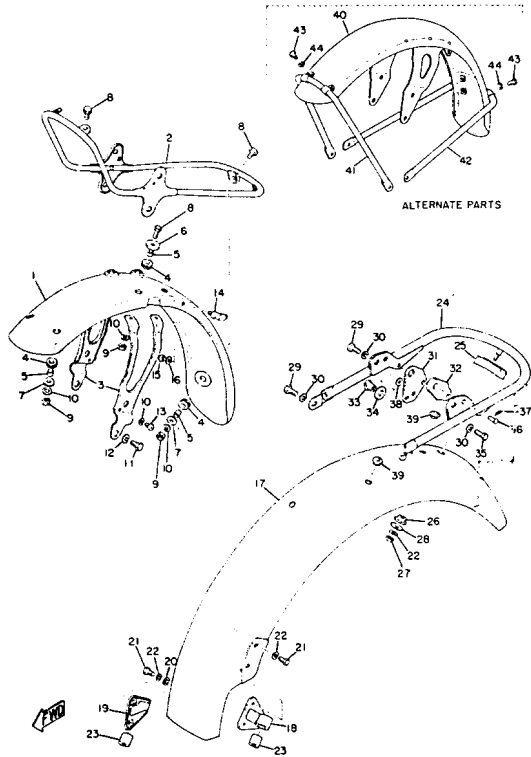
FRONT FENDER - REAR FENDER (XS1 - X)



Ref. No.	Part Number	Description	Qty	Remarks
1	(256-21510-10-93)	FENDER, FRONT	1	
2	(256-21512-00-00)	BRACKET, FENDER	1	
3	(256-21513-00-00)	STAY, FENDER 1	2	
4	90480-13163-00	GROMMET	8	
5	90387-062N2-00	COLLAR	8	
6	90209-06026-00	WASHER, SPEC'L SHAP (256-21515-00)	4	
7	90201-065F3-00	WASHER, PLATE	4	
8	97023-06020-00	BOLT (3XF)	8	
9	95380-06600-00	NUT	8	
10	92995-06100-00	WASHER, SPRING	10	
11	97313-08012-00	BOLT	4	
12	92990-08100-00	WASHER	4	
13	98580-06008-00	SCREW, PAN HEAD	2	
14	(174-21518-00-00)	HOLDER, CABLE	1	
15	95380-06600-00	NUT	1	
16	92995-06100-00	WASHER, SPRING	1	
17	(256-21611-00-93)	FENDER, REAR	1	
18	256-21613-00-00	STAY, FENDER 1	1	
19	256-21614-00-00	STAY, FENDER 2	1	
20	90201-065F3-00	WASHER, PLATE	2	
21	97013-06012-00	BOLT	4	
22	92995-06100-00	WASHER, SPRING	5	
23	256-21638-00-00	DAMPER 1	4	
24	(256-21645-00-00)	STAY, REAR	1	
	(256-21645-01-00)	STAY, REAR	1	
25	256-21639-00-00	DAMPER 2	1	
26	256-21649-00-00	DAMPER	1	
27	95380-06700-00	NUT	1	

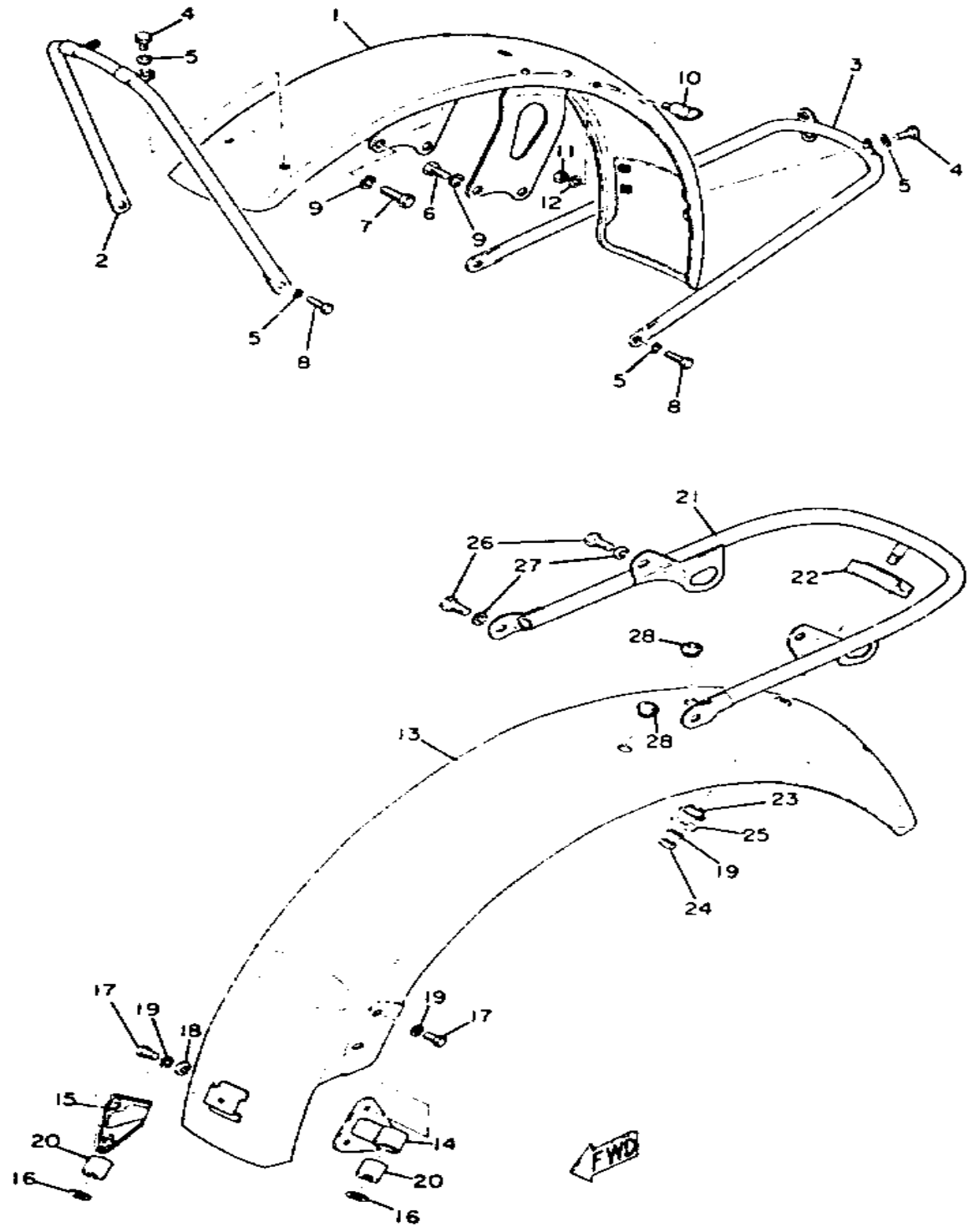
CONTINUED ON NEXT FRAME ➤

FRONT FENDER - REAR FENDER (XS1 - X)



Ref. No.	Part Number	Description	Qty	Remarks
28	90201-06072-00	WASHER, PLATE	1	
29	97313-08016-00	BOLT, HEXAGON	4	
30	92990-08100-00	WASHER	4	
31	(256-83318-00-00)	STAY, FLASHER 1	2	
32	(256-83341-00-00)	DAMPER, FLASHER	2	
33	248-21635-00-00	NUT, REAR FENDER	2	
34	90201-12190-00	WASHER, PLATE	2	
35	97313-08018-00	BOLT, HEXAGON (97301-08016)	2	
36	(91503-06018-00)	PIN, CLEVIS	2	
37	90468-10050-00	CLIP	2	
38	90201-065F3-00	WASHER, PLATE	2	
39	90480-12013-00	GROMMET	2	
40	(256-21510-10-93)	FENDER, FRONT	1	ALTERNATE PARTS
41	(256-21513-10-93)	STAY, FENDER 1	1	ALTERNATE PARTS
42	(256-21514-10-93)	STAY, FENDER 2	1	ALTERNATE PARTS
43	97013-06012-00	BOLT	6	ALTERNATE PARTS
44	92995-06100-00	WASHER, SPRING	6	ALTERNATE PARTS

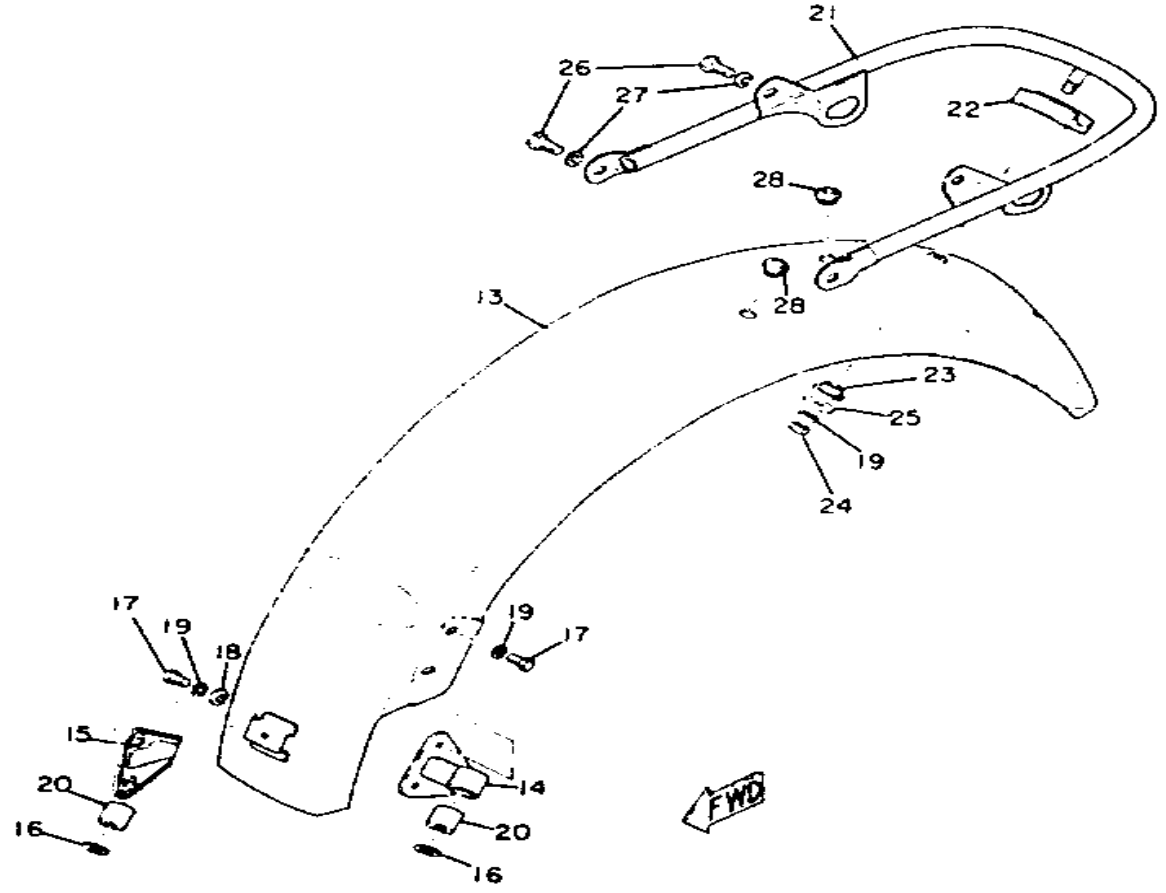
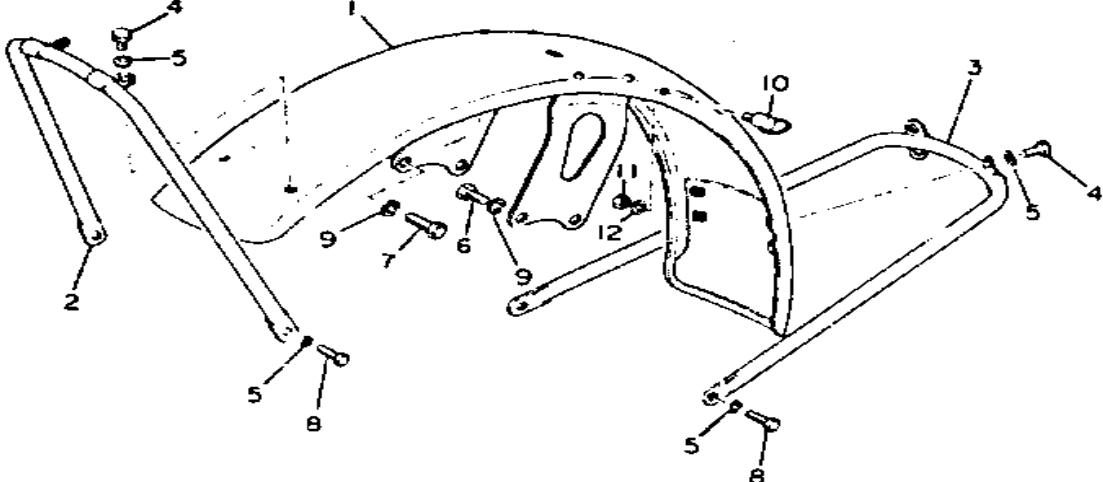
FRONT FENDER - REAR FENDER (XS2)



Ref. No.	Part Number	Description	Qty	Remarks
1	(306-21511-00-93)	FENDER, FRONT	1	
	(99999-01107-00)	FENDER FRNT (366)	1	
2	(306-21513-00-00)	STAY, FENDER 1	1	
	(366-21513-00-00)	STAY, FENDER 1	1	
3	(306-21514-00-00)	STAY, FENDER 2	1	
	(366-21514-00-00)	STAY, FENDER 2	1	
4	97013-06012-00	BOLT	6	
5	92995-06100-00	WASHER, SPRING	10	
6	97313-08020-00	BOLT, HEXAGON	2	
7	97001-08025-00	BOLT (1NV)	2	
8	97313-06016-00	BOLT, HEXAGON	4	
9	92990-08100-00	WASHER	4	
10	(174-21518-00-00)	HOLDER, CABLE	1	
11	95380-06600-00	NUT	1	
12	92995-06100-00	WASHER, SPRING	1	
13	(306-21611-00-93)	FENDER, REAR	1	
14	256-21613-00-00	STAY, FENDER 1	1	
15	256-21614-00-00	STAY, FENDER 2	1	
16	90201-065F3-00	WASHER, PLATE	2	
17	97013-06012-00	BOLT	4	
18	90201-065F3-00	WASHER, PLATE	2	
19	92995-06100-00	WASHER, SPRING	5	
20	256-21638-00-00	DAMPER 1	4	
21	(256-21645-01-00)	STAY, REAR	1	
22	256-21639-00-00	DAMPER 2	1	
23	256-21649-00-00	DAMPER	1	
24	95380-06700-00	NUT	1	
25	90201-06072-00	WASHER, PLATE	1	
26	97313-08016-00	BOLT, HEXAGON	4	

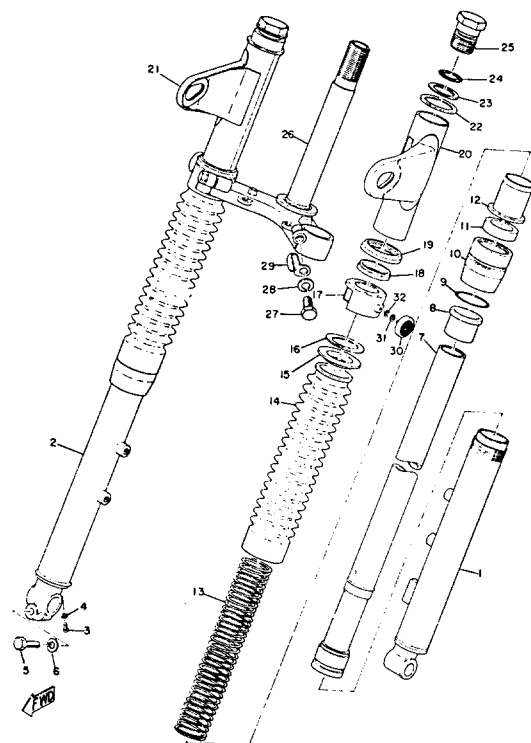
CONTINUED ON NEXT FRAME ➤

FRONT FENDER - REAR FENDER (XS2)



Ref. No.	Part Number	Description	Qty	Remarks
27	92990-08100-00	WASHER	4	
28	90480-12013-00	GROMMET	2	

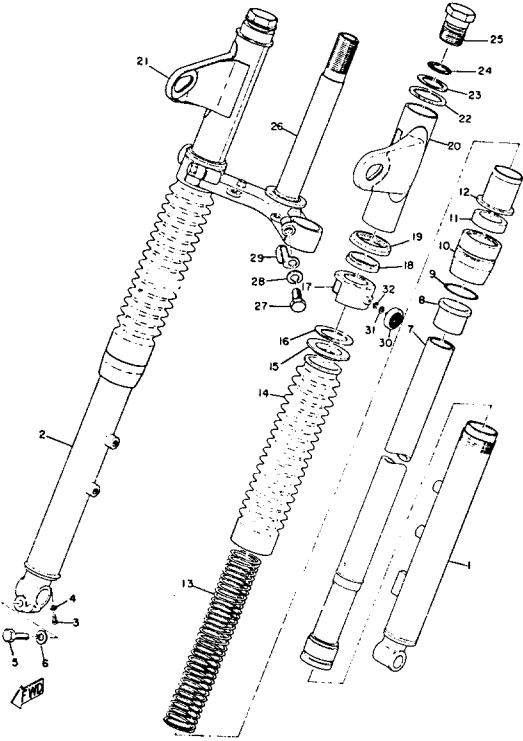
FRONT FORK (XS1)



Ref. No.	Part Number	Description	Qty	Remarks
1	(256-23126-62-93)	TUBE, OUTER 1	1	
2	(256-23136-62-93)	TUBE, OUTER 2	1	
3	98580-04008-00	. SCREW, PAN HEAD	2	
4	122-23129-00-00	. GASKET, DRAIN PLUG	2	
5	97313-08030-00	. BOLT, HEXAGON	1	
6	92990-08100-00	. WASHER	1	
7	(256-23124-60-00)	TUBE, INNER 1	2	
8	(168-23125-01-00)	METAL, SLIDE 1	2	
9	156-23147-00-00	. O-RING	2	
10	(211-23150-40-00)	OUTER NUT	2	
11	278-23145-51-00	. . OIL SEAL	2	
12	(168-23143-00-00)	SEAT, SPRING LOWER	2	
13	(256-23141-60-00)	SPRING, FRONT FORK	2	
14	211-23191-40-00	. BOOT, FRONT FORK	2	
15	(211-23142-40-00)	SEAT, SPRING UPPER	2	
16	(168-23146-00-00)	WASHER, OIL SEAL	2	
17	(256-23122-60-00)	COVER, OUTER 1	2	
18	256-23163-60-00	. GASKET	2	
19	(256-23116-60-00)	GUIDE, COVER LOWER	2	
20	(256-23121-60-64)	COVER, UPPER 1	1	CANDY GREEN
21	(256-23131-60-64)	COVER, UPPER 2	1	CANDY GREEN
22	168-23115-00-00	. GUIDE, COVER UPPER	2	
23	(256-23112-61-00)	WASHER, CAP	2	
24	214-23114-00-00	. GASKET	2	
25	(256-23111-60-00)	BOLT, CAP	2	
26	(306-23340-09-33)	UNDER BRACKET	1	
27	5J0-23346-00-00	. BOLT 1	2	
28	92990-10100-00	. LOCKWASHER	2	
29	(256-23318-60-00)	HOLDER, CABLE 1	1	

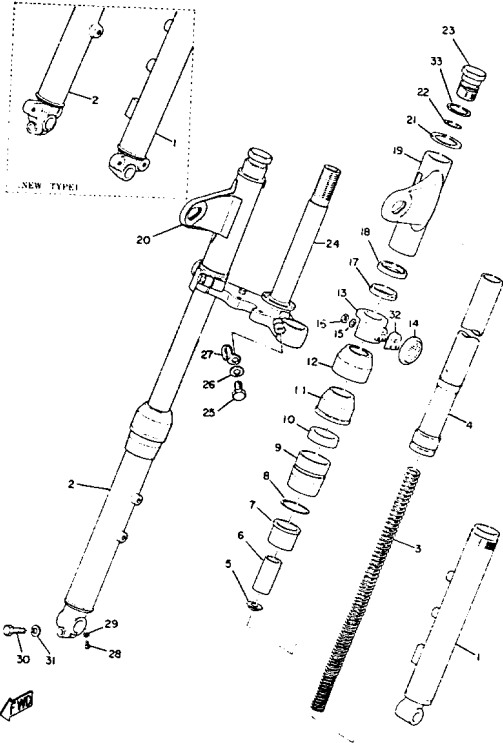
CONTINUED ON NEXT FRAME ►

FRONT FORK (XS1)



Ref. No.	Part Number	Description	Qty	Remarks
30	341-85111-00-00	REFLECTOR, FRONT 1	2	
31	92990-05100-00	WASHER, SPRING	2	
32	92990-05200-00	WASHER, PLAIN	2	
-1	(256-23100-61-64)	FRONT FORK ASSEMBLY	1	CANDY GREEN

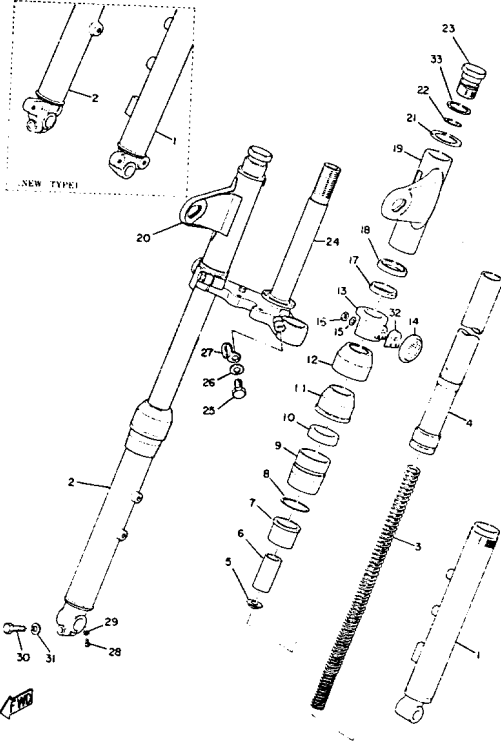
FRONT FORK (XS1B)



Ref. No.	Part Number	Description	Qty	Remarks
1	(256-23126-62-93)	TUBE, OUTER 1	1	
2	(256-23136-62-93)	TUBE, OUTER 2	1	
3	(256-23141-62-00)	SPRING, FRONT FORK	2	PN315
4	(256-23124-60-00)	TUBE, INNER 1	2	
5	256-23142-60-00	. SEAT, SPRING UPPER	2	
6	(256-23118-60-00)	SPACER	2	
7	(168-23125-01-00)	METAL, SLIDE 1	2	
8	156-23147-00-00	. O-RING	2	
9	(256-23150-60-00)	OUTER NUT	2	
10	278-23145-51-00	. . OIL SEAL	2	
11	278-23144-50-00	. SEAL, DUST	2	
12	278-23148-50-00	. COVER, DUST SEAL	2	
13	(275-23122-60-00)	COVER, OUTER 1	2	
14	341-85111-00-00	. REFLECTOR, FRONT 1	2	
15	92990-05100-00	. WASHER, SPRING	2	
16	95380-05600-00	. NUT	2	
17	256-23163-60-00	. GASKET	2	
18	(256-23116-61-00)	GUIDE, COVER LOWER	2	
19	(256-23121-61-52)	COVER, UPPER 1	2	CANDY ORANGE
20	(256-23131-61-52)	COVER, UPPER 2	2	CANDY ORANGE
21	168-23115-00-00	. GUIDE, COVER UPPER	2	
22	214-23114-00-00	. GASKET	2	
23	(256-23111-60-00)	BOLT, CAP	2	
24	(306-23340-09-33)	UNDER BRACKET	1	
25	5J0-23346-00-00	. BOLT 1	2	
26	92990-10100-00	. LOCKWASHER	2	
27	(256-23318-60-00)	HOLDER, CABLE 1	1	
28	98580-04008-00	. SCREW, PAN HEAD	2	
29	122-23129-00-00	. GASKET, DRAIN PLUG	1	

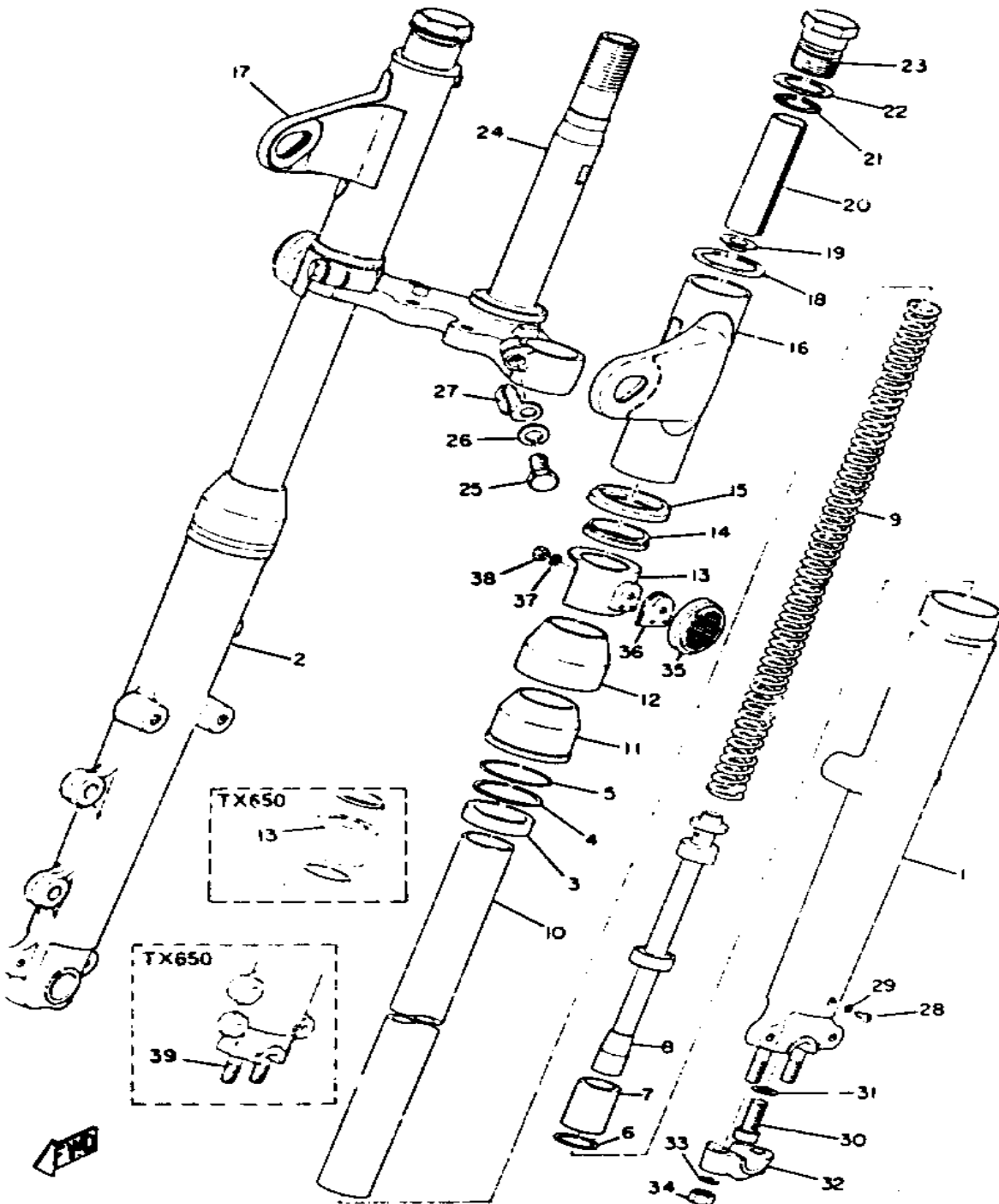
CONTINUED ON NEXT FRAME ➤

FRONT FORK (XS1B)



Ref. No.	Part Number	Description	Qty	Remarks
30	97313-08030-00	. BOLT, HEXAGON	1	
31	92990-08100-00	. WASHER	1	
32	(256-23162-60-00)	COVER, RFLCTR STAY	2	
33	(256-23112-61-00)	WASHER, CAP	2	
-1	(256-23100-63-52)	FRONT FORK ASSEMBLY	1	CANDY ORANGE

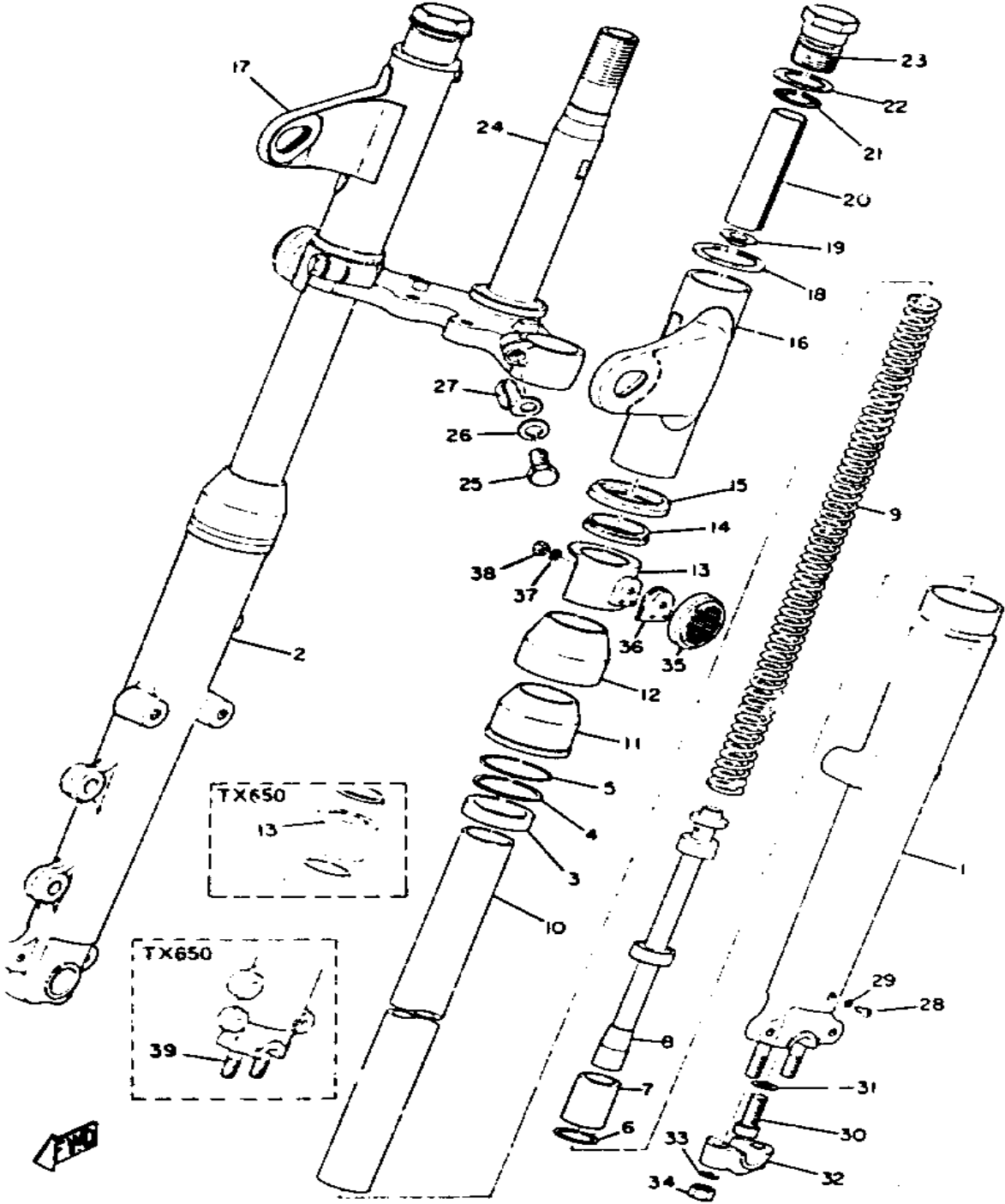
FRONT FORK (XS2) (TX650 -)



Ref. No.	Part Number	Description	Qty	Remarks
1	(306-23124-60-00)	TUBE, INNER 1	1	
	366-23111-60-00	. BOLT, CAP	1	
2	(306-23124-60-00)	TUBE, INNER 1	1	
	366-23111-60-00	. BOLT, CAP	1	
3	278-23145-51-00	.. OIL SEAL	2	
4	214-23146-00-00	.. WASHER, OIL SEAL	2	
5	214-23156-00-00	.. CLIP, OIL SEAL	2	
6	93450-30033-00	. CIRCLIP, INNER	2	
7	(278-23100-50-34)	FRONT FORK ASSEMBLY	2	
8	(306-23124-60-00)	TUBE, INNER 1	2	
9	(256-23141-62-00)	SPRING, FRONT FORK	2	
10	1A0-W0041-00-00	. CYLINDER KIT, MASTER (360-20000-10)	2	
11	278-23144-50-00	. SEAL, DUST	2	
12	278-23148-50-00	. COVER, DUST SEAL	2	
13	(275-23122-60-00)	COVER, OUTER 1	2	
14	256-23163-60-00	. GASKET	2	
15	(256-23111-60-00)	BOLT, CAP	2	
16	(256-23131-61-63)	COVER, UPPER 2	1	
	(366-23121-60-F5)	COVER, UPPER 1	1	METALLIC FLAKE BLUE
	(99999-00983-00)	CVR UPPR L & R CHR	1	
	(99999-00983-00)	CVR UPPR L & R CHR	1	BRILLIANT RED
17	(256-23131-61-63)	COVER, UPPER 2	1	BRILLIANT RED
	(366-23131-60-F5)	COVER, UPPER 2	1	METALLIC FLAKE BLUE
18	168-23115-00-00	. GUIDE, COVER UPPER	2	
19	256-23142-60-00	. SEAT, SPRING UPPER	2	
20	(306-23118-60-00)	SPACER	2	
	(366-23118-60-00)	SPACER	2	

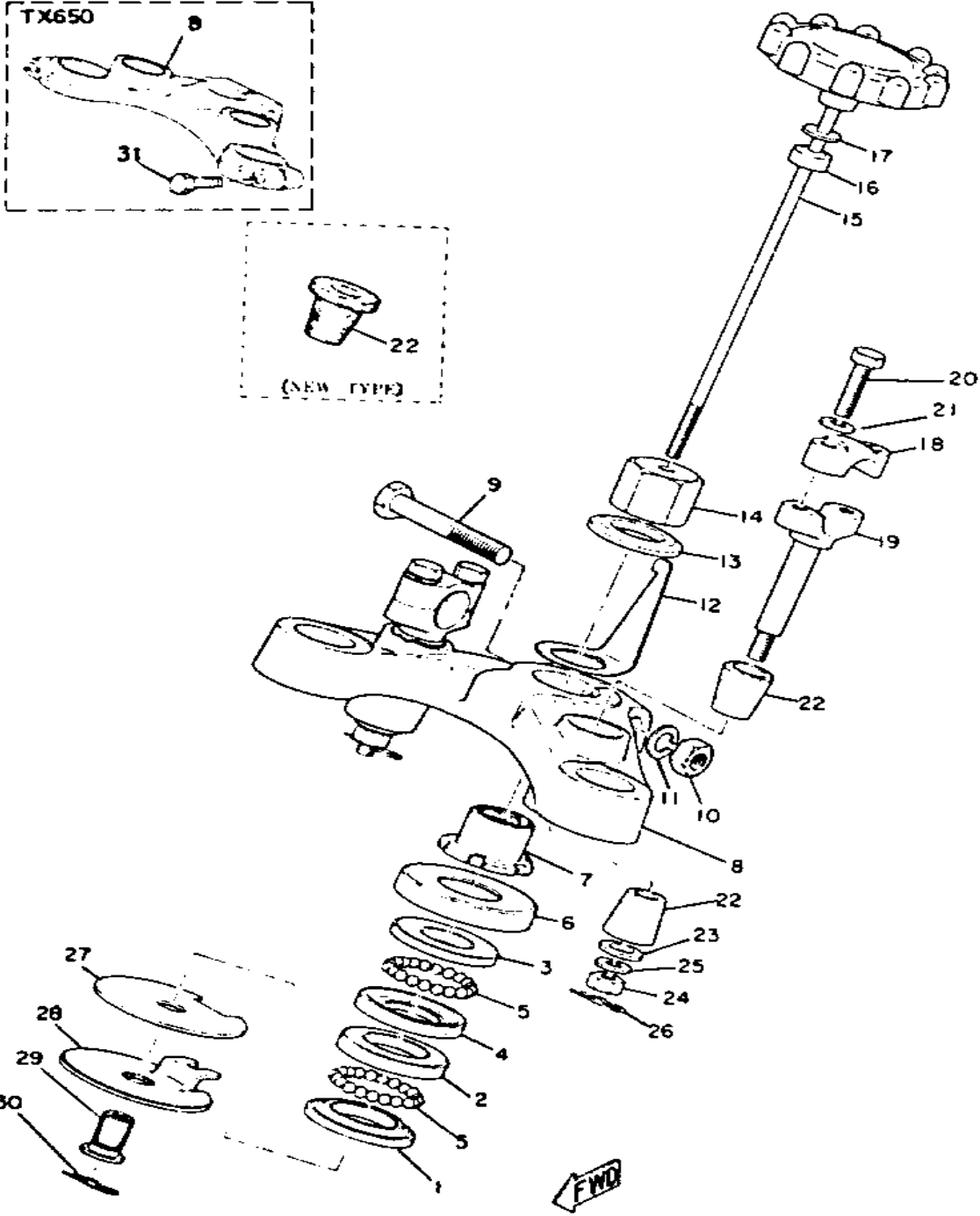
CONTINUED ON NEXT FRAME ➤

FRONT FORK (XS2) (TX650 -)



Ref. No.	Part Number	Description	Qty	Remarks
21	214-23114-00-00	. GASKET	2	
22	(256-23112-61-00)	WASHER, CAP	2	
23	(256-23111-60-00)	BOLT, CAP	2	
24	(306-23340-60-33)	UNDER BRACKET	1	
	(366-23340-60-33)	UNDER BRACKET	1	
25	306-23346-60-00	. BOLT 1	2	
26	92901-12100-00	. WASHER, SPRING	2	
27	(306-23318-60-00)	HOLDER, CABLE 1	1	
28	98580-04008-00	. SCREW, PAN HEAD	2	
29	122-23129-00-00	. GASKET, DRAIN PLUG	2	
30	278-23181-50-00	. BOLT, HEXAGON SOCKET HEAD	2	
31	509-23158-L0-00	. GASKET	2	
32	(306-23167-60-00)	HOLDER, AXLE	1	
	341-23167-50-00	. HOLDER, AXLE	1	
33	92990-08100-00	. WASHER	2	
34	95333-08600-00	. NUT, HEXAGON	2	
35	341-85111-00-00	. REFLECTOR, FRONT 1	2	
36	(256-23162-60-00)	COVER, RFLCTR STAY	2	
37	92990-05100-00	. WASHER, SPRING	2	
38	95380-05600-00	. NUT	2	
39	90116-08261-00	. BOLT, STUD	2	
-1	(306-23100-60-63)	FRONT FORK ASSEMBLY	1	BRILLIANT RED
	366-23111-60-00	BOLT, CAP	1	

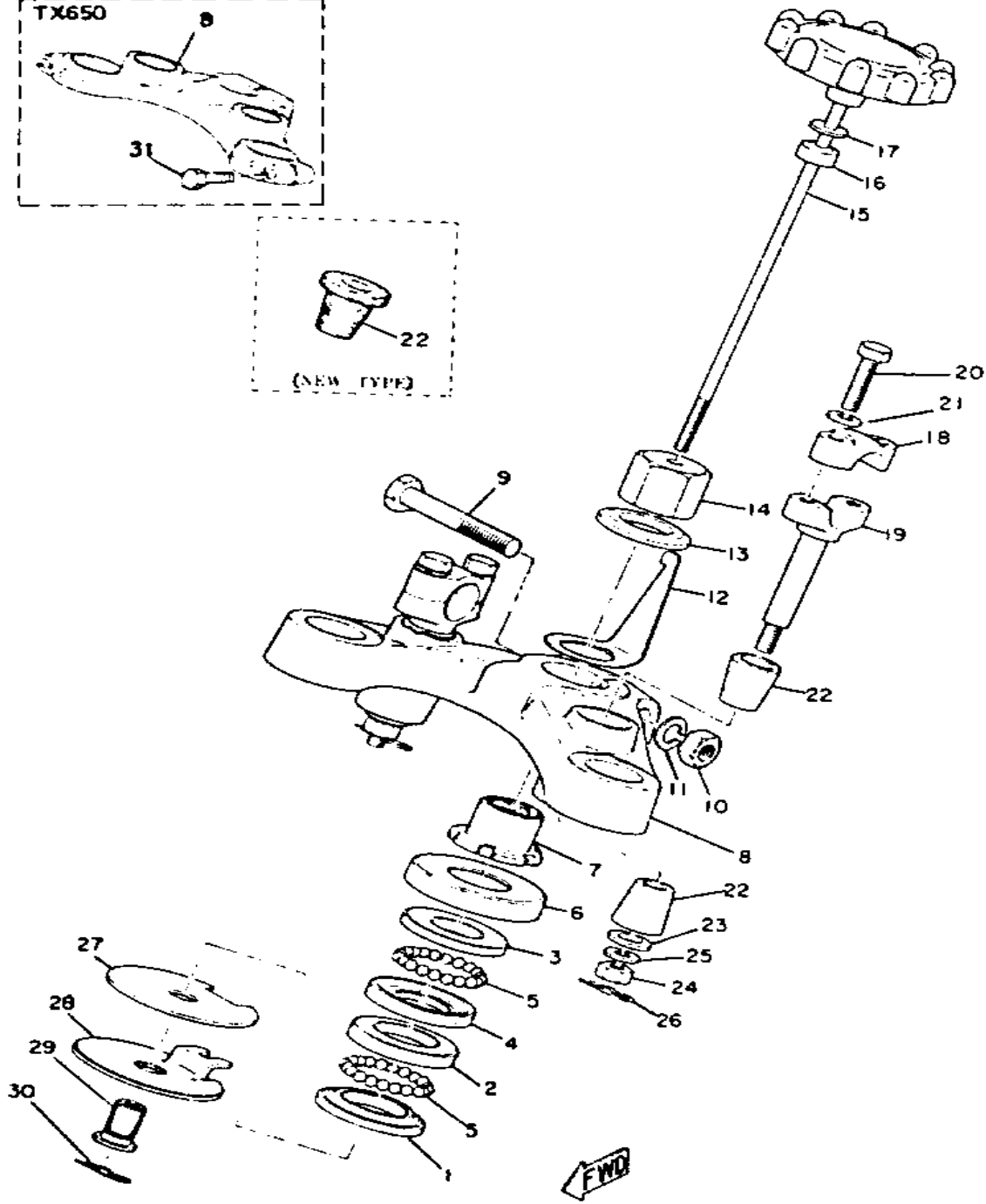
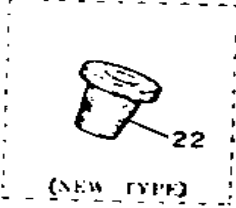
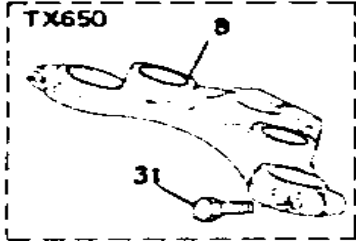
STEERING



Ref. No.	Part Number	Description	Qty	Remarks
1	256-23411-00-00	RACE, BALL 1	1	
2	256-23412-00-00	RACE, BALL 2	1	
3	256-23413-00-00	RACE, BALL 3	1	
4	256-23414-00-00	RACE, BALL 4	1	
5	93501-04011-00	BALL	38	
6	136-23415-00-00	COVER, BALL RACE 1	1	
7	(90179-25049-00)	NUT, SPEC'L SHAPE	1	
8	(256-23435-01-98)	CROWN, HANDLE	1	PN320FROSTING BLACK
	(366-23435-00-98)	CROWN, HANDLE	1	
9	97323-10065-00	BOLT, HEXAGON	1	
10	95303-10600-00	NUT (95301-10600)	1	
11	92990-10100-00	LOCKWASHER	1	PN315
12	(256-23428-00-00)	SPRING	1	
13	90201-26294-00	NO LONGER AVAILABLE (256-23443-00)	1	
14	(90179-25023-00)	NUT, SPEC'L SHAPE	1	
15	256-23419-00-00	SHAFT, DAMPER	1	
16	90202-06008-00	WASHER, PLATE	1	
17	90201-06061-00	WASHER, PLATE	1	
18	401-23441-00-98	HOLDER, HANDLE UPR	2	FROSTING BLACK
19	256-23442-00-98	HOLDER, HANDLE LWR	2	FROSTING BLACK
20	97313-08030-00	BOLT, HEXAGON	4	
21	92990-08100-00	WASHER	4	
22	256-23434-01-00	HOLDER, DAMPER 0 4	4	354~
23	90201-10149-00	WASHER, PLATE	4	354~PN320
	90201-14218-00	WASHER, PLATE	1	
	90201-14218-00	WASHER, PLATE	2	
24	95303-10700-00	NUT	2	

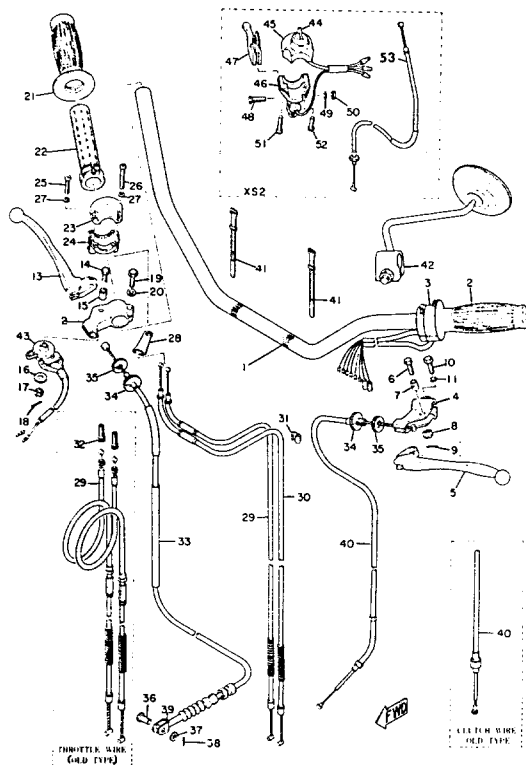
CONTINUED ON NEXT FRAME ►

STEERING



Ref. No.	Part Number	Description	Qty	Remarks
25	92990-10100-00	LOCKWASHER	2	
26	90468-12006-00	CLIP	2	
27	(256-23425-00-00)	DAMPER, FRICTION	1	
28	256-23422-00-00	PLATE, DAMPER 2	1	
29	(256-23424-00-00)	GUIDE, DAMPER	1	
30	90468-10050-00	CLIP	1	
31	97313-08050-00	BOLT, HEXAGON (90101-08125)	2	

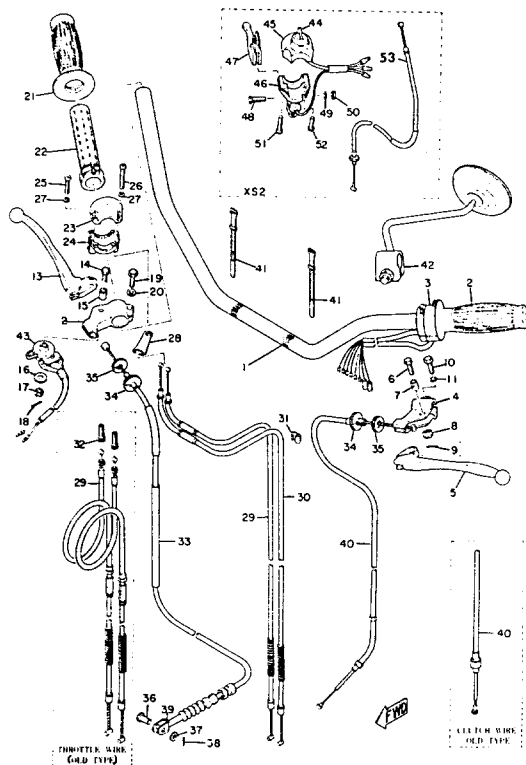
HANDLE - WIRE



Ref. No.	Part Number	Description	Qty	Remarks
1	256-26111-00-00	HANDLEBAR	1	
2	341-26241-00-00	GRIP LH	1	
3	235-83972-00-94	SWITCH, HANDLE 4	1	
	306-83972-00-98	SWITCH, HANDLE 4	1	FROSTING BLACK
4	214-82911-01-00	. HOLDER, LEVER 1	1	
	214-82911-01-00	. HOLDER, LEVER 1	1	FROSTING BLACK
5	214-83912-00-00	. LEVER 1	1	
6	214-83915-00-00	. SCREW, LVR FITTING	1	
	97023-06020-00	. BOLT (3XF)	1	
7	214-83913-00-00	. COLLAR, LEVER 1	1	
8	95301-06900-00	. NUT, SLOTTED	1	
	95380-06700-00	. NUT	1	
9	91401-12018-00	. PIN, COTTER	1	
10	97023-06020-00	. BOLT (3XF)	1	
11	92995-06100-00	. WASHER, SPRING	1	
12	233-82921-31-00	. HOLDER, LEVER 2	1	
13	233-83922-30-00	. LEVER R	1	
14	90109-05197-00	. BOLT (233-81915-01)	1	PN315
15	214-83913-00-00	. COLLAR, LEVER 1	1	
16	90201-06038-00	. WASHER, PLATE	1	
17	95301-06900-00	. NUT, SLOTTED	1	
18	91401-12018-00	. PIN, COTTER	1	
19	97023-06020-00	. BOLT (3XF)	1	
20	92995-06100-00	. WASHER, SPRING	1	
21	(306-26242-00-00)	GRIP RH	1	
	(306-26242-10-00)	GRIP RH	1	
22	256-26243-00-00	TUBE, THRTL GUIDE	1	
23	256-26281-00-00	CAP, GRIP UPPER	1	
24	(177-26282-01-00)	CAP, GRIP LOWER	1	PN320

CONTINUED ON NEXT FRAME ►

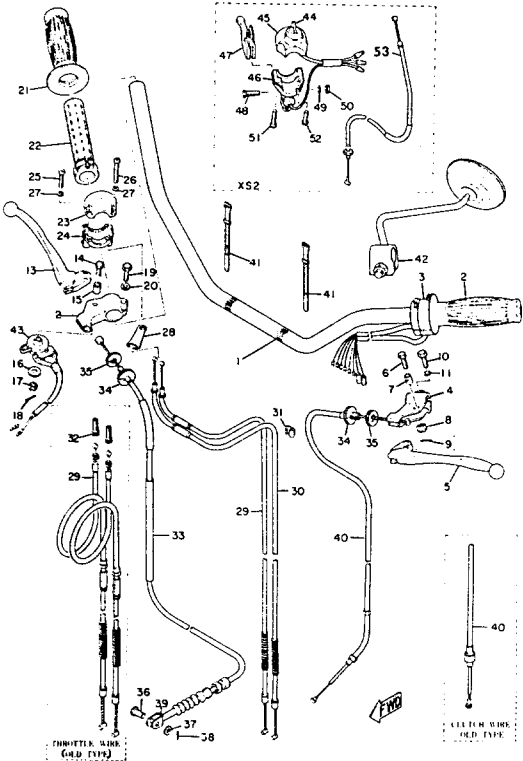
HANDLE - WIRE



Ref. No.	Part Number	Description	Qty	Remarks
24	(256-26282-00-00)	CAP, GRIP LOWER	1	
25	98501-05030-00	SCREW, PAN HEAD	1	PN320
26	98501-05046-00	SCREW, PAN HEAD	1	PN320
27	92990-05100-00	WASHER, SPRING	2	
28	(256-26393-00-00)	HOLDER	1	
	306-26393-00-00	HOLDER	1	
29	256-26311-01-00	CABLE, THROTTLE 1	1	
30	256-26312-00-00	CABLE, THROTTLE 2	1	
31	90468-15009-00	CLIP	2	
32	90123-06007-00	BOLT	2	
33	256-26341-00-00	CABLE, BRAKE	1	
34	90123-08046-00	BOLT	1	
	90123-08046-00	BOLT	2	
35	90179-08148-00	NUT	1	
	90179-08148-00	NUT	2	
36	90240-08013-00	PIN, CLEVIS	1	
37	90201-08083-00	WASHER, PLATE	1	
38	91490-20020-00	PIN, COTTER	1	
39	156-26347-00-00	JOINT, CABLE	1	
40	447-26335-00-00	CABLE, CLUTCH (256-26335-02)	1	
41	437-83936-01-00	BAND, SWITCH CORD	2	
42	256-26290-00-00	MIRROR ASSEMBLY RH	1	ALTERNATE PARTS
	256-26290-10-00	MIRROR ASSEMBLY LH	1	
43	(306-83980-30-00)	STOP SWITCH ASSEMBLY	1	
	232-83980-30-00	STOP SWITCH ASSEMBLY	1	
44	(306-83975-00-00)	SWITCH, HANDLE 2	1	FROSTING BLACK
47	306-83981-00-00	. LEVER, DCOMP	1	
48	97023-06020-00	. BOLT (3XF)	1	

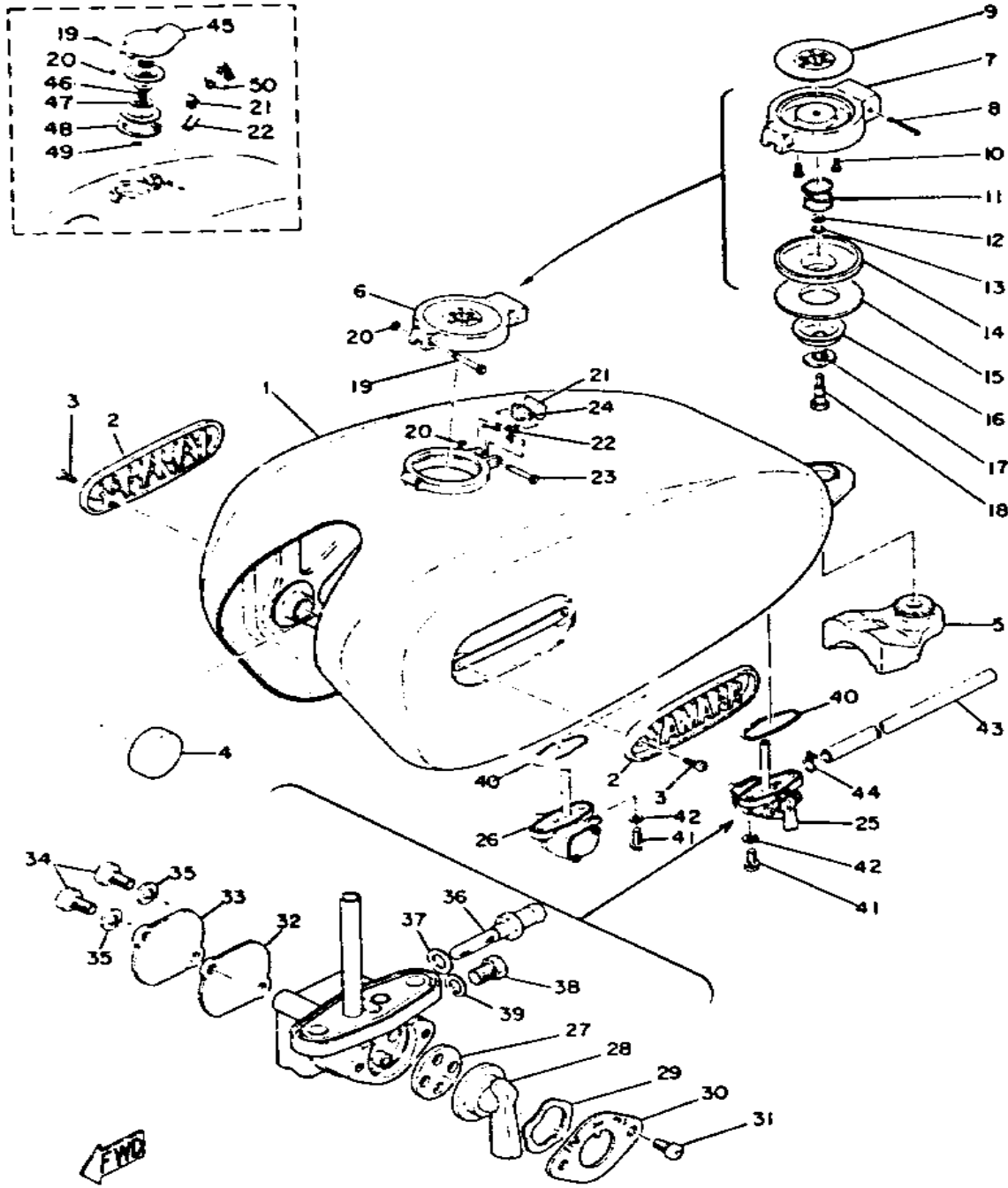
CONTINUED ON NEXT FRAME ►

HANDLE - WIRE



Ref. No.	Part Number	Description	Qty	Remarks
49	92995-06100-00	. WASHER, SPRING	1	
50	95380-06700-00	. NUT	1	
51	98501-05035-00	. SCREW, PAN HEAD	1	
52	98580-05020-00	. SCREW, PAN HEAD	1	
53	306-26371-00-00	HOUSING, BRAKE LINK	1	
-1	(461-82910-00-00)	LEVER HOLDER ASSEMBLY 1	1	
	214-82910-07-00	LEVER HOLDER ASSEMBLY 1 (214-82910-05)	1	
-2	(233-82920-33-00)	LEVER HOLDER ASSEMBLY 2	1	

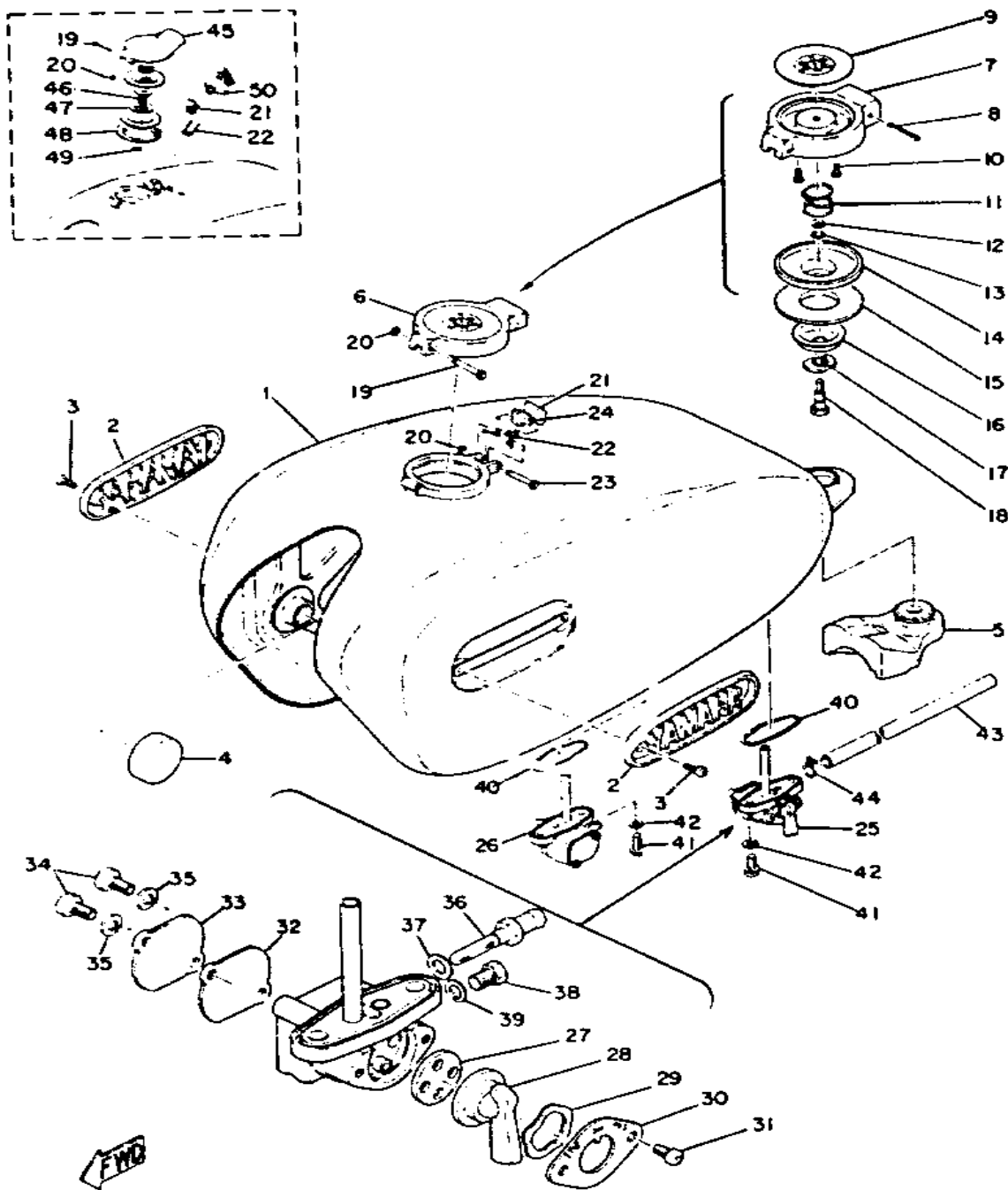
FUEL TANK



Ref. No.	Part Number	Description	Qty	Remarks
1	(256-24110-00-02)	FUEL TANK	1	CANDY ORANGE
	(256-24110-00-X1)	FUEL TANK	1	CANDY GREEN
	(256-24110-00-X3)	FUEL TANK	1	BRILLIANT RED
	366-24110-09-01	NO LONGER AVAILABLE	1	METALLIC FLAKEBLUE
2	(341-24161-02-00)	EMBLEM 1	1	
	(341-24162-02-00)	EMBLEM 2	1	
	211-24161-00-00	EMBLEM 1	2	
	214-24161-00-00	EMBLEM 1	2	
3	98580-04008-00	SCREW, PAN HEAD	4	
4	278-24181-00-00	DAMPER, LOCATING 1	2	
5	256-24181-01-00	DAMPER, LOCATING 1	1	
7	(256-24611-00-00)	BODY, CAP	1	
8	91609-25032-00	PIN, SPRING	1	
9	(256-24614-00-00)	PLATE, CAP	1	
10	98702-03008-00	SCREW, FLAT HEAD	2	PN315
11	90501-20130-00	SPRING, COMPRESSION	1	
12	92901-04100-00	WASHER, SPRING	1	
13	93210-04122-00	O-RING	1	
14	(256-24613-00-00)	DISC, CAP	1	
15	256-24612-00-00	GASKET, CAP	1	
16	256-24615-00-00	GASKET, PLATE 1	1	
17	90109-10352-00	BOLT (256-24626-00)	1	
18	256-24625-00-00	GUIDE, CAP	1	
19	90249-03016-00	PIN, SPEC'L SHAPE	1	
	90249-03087-00	PIN, SPEC'L SHAPE (308-24623-00)	1	
20	93430-02001-00	CIRCLIP	2	
21	256-24628-00-00	HOOK	1	

CONTINUED ON NEXT FRAME ►

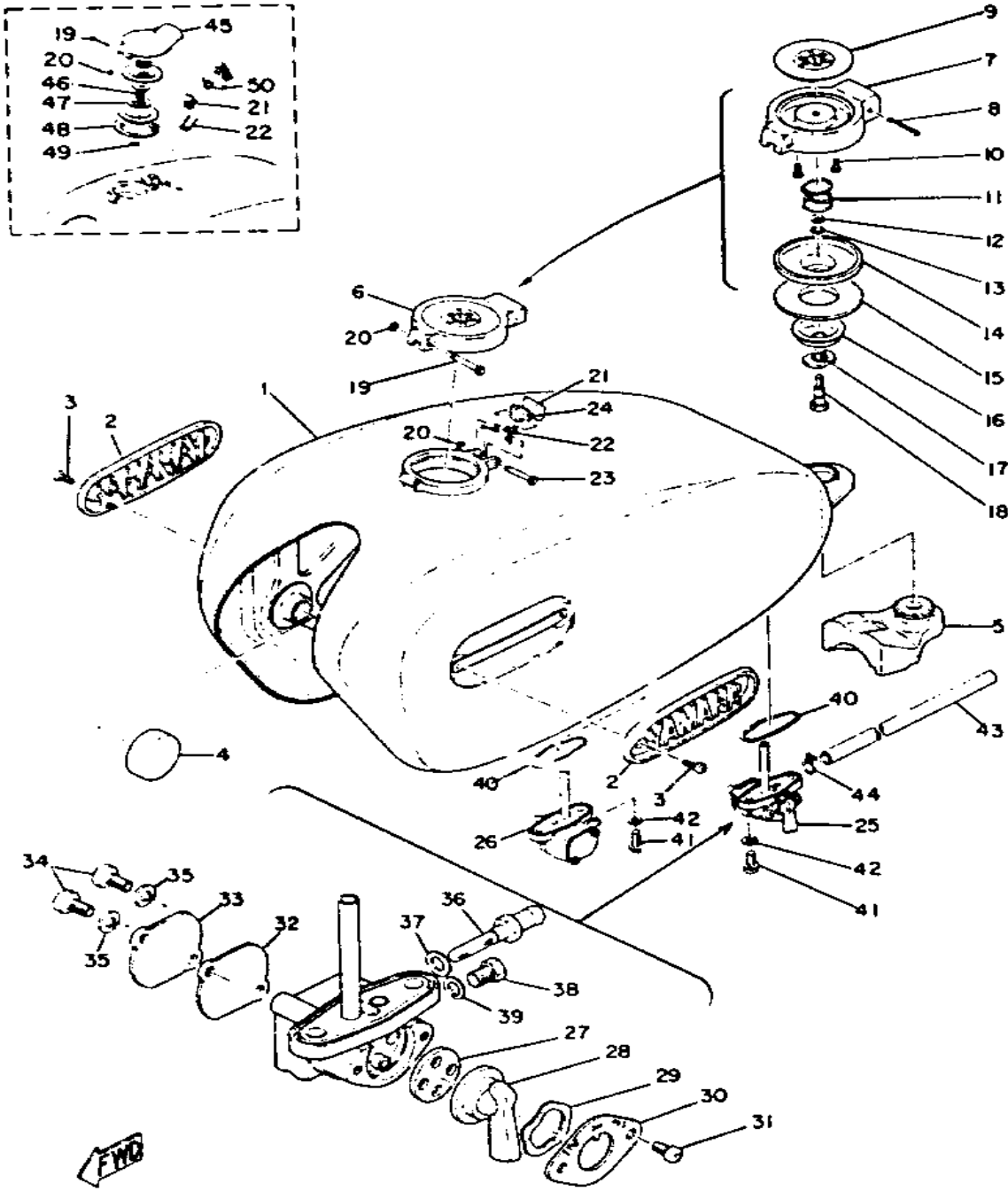
FUEL TANK



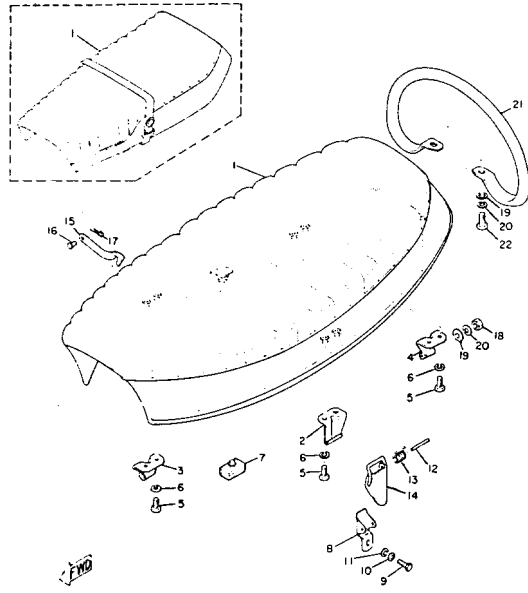
Ref. No.	Part Number	Description	Qty	Remarks
21	341-24628-00-00	HOOK	1	
22	90508-08223-00	SPRING, TORSION (256-24637-00)	1	
23	90249-03016-00	PIN, SPEC'L SHAPE	1	
	90249-03088-00	PIN, SPEC'L SHAPE (308-24624-00)		
24	93210-06632-00	O-RING	1	
25	(366-24500-00-00)	FUEL COCK ASSEMBLY 1 ...	1	
	447-24500-02-00	FUEL COCK ASSEMBLY 1 ...	1	
26	447-24510-02-00	FUEL COCK ASSEMBLY 2 ...	1	
27	137-24523-00-00	. GASKET	2	
28	(256-24524-00-00)	LEVER, COCK	2	
29	132-24518-00-00	. WASHER, WAVE	2	
30	(132-24525-01-00)	PLATE, LVR FITTING	2	
31	98580-03008-00	. SCREW, PAN HEAD	4	
32	647-14227-00-00	. WASHER (256-24522-00)	2	
33	(256-24521-00-00)	CUP, FILTER	2	
34	98580-04008-00	. SCREW, PAN HEAD	4	
35	92901-04100-00	. WASHER, SPRING	4	
36	256-24537-00-00	. NIPPLE	2	
37	256-24528-00-00	. GASKET	2	
38	98580-05006-00	. SCREW, PAN HEAD	2	
39	801-24437-00-00	. GASKET, BODY 4	2	
40	256-24512-00-00	. GASKET	2	
41	90149-06008-00	SCREW	4	
	90149-06011-00	SCREW	4	
42	90202-05187-00	WASHER, PLATE	4	
43	90445-09079-00	HOSE (5-140) (170-24311-00) ..	2	
	90445-09089-00	HOSE	2	

CONTINUED ON NEXT FRAME ►

FUEL TANK



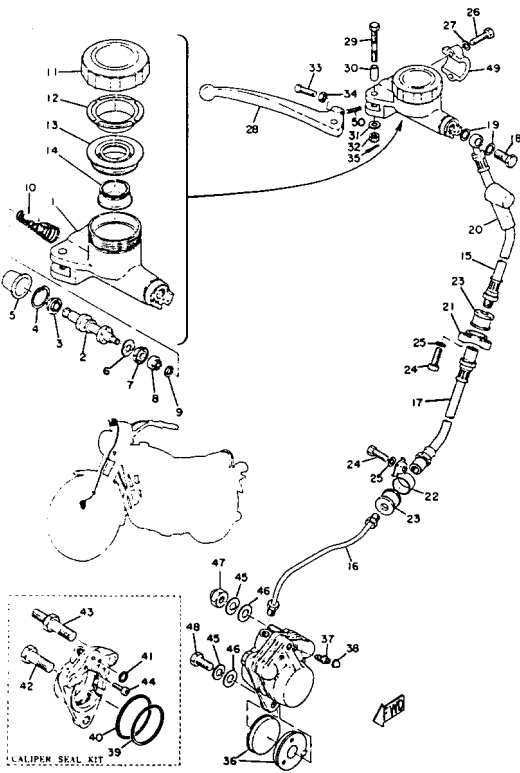
Ref. No.	Part Number	Description	Qty	Remarks
44	90467-08003-00	CLIP	6	
45	341-24653-00-00	CAP ASSEMBLY	1	
46	(308-24642-00-00)	GASKET, CAP 2	1	
47	(308-24641-00-00)	GASKET, CAP 1	1	
48	341-24612-01-00	. GASKET, CAP	1	
49	99009-06600-00	. CIRCLIP	1	
50	341-24602-01-00	CAP ASSEMBLY	1	
51	(92503-04020-00)	SCREW, PAN HEAD	1	
52	90183-03006-00	NUT, SPRING	4	
40-1	(366-24545-01-00)	SPACER, FUEL COCK	2	



SEAT

Ref. No.	Part Number	Description	Qty	Remarks
1	306-24730-11-00	DOUBLE SEAT ASSEMBLY. . .	1	
	366-24730-01-00	DOUBLE SEAT ASSEMBLY . . .	1	
2	256-24728-00-33	BRACKET, SEAT	1	PN315
3	256-24738-00-33	BRACKET, SEAT	1	PN315
4	(256-24748-00-33)	BRACKET, SEAT	1	
5	97013-06012-00	BOLT	6	
6	92995-06100-00	WASHER, SPRING	6	
7	214-24724-00-00	DAMPER, SEAT	5	
8	(256-24718-00-00)	BRACKET, SEAT	1	
9	97011-06010-00	BOLT	1	
10	92995-06100-00	WASHER, SPRING	1	
11	90201-06038-00	WASHER, PLATE	1	
12	90249-04068-00	PIN, SPECL SHAPE	1	
13	90508-10012-00	SPRING, TORSION	1	
14	214-24776-00-33	LEVER, SEAT	1	
15	(256-24754-00-00)	HOOK, SEAT	1	
16	(91501-06010-00)	PIN, CLEVIS	1	
17	90468-10050-00	CLIP	1	
18	95333-08600-00	NUT, HEXAGON	1	
19	92990-08200-00	WASHER, PLAIN	3	
20	92990-08100-00	WASHER	3	
21	(256-24734-00-00)	BAND, SEAT	1	
22	97313-08018-00	BOLT, HEXAGON (97301-08016)	2	
1-1	(306-24731-00-00)	COVER, DOUBLE SEAT	1	

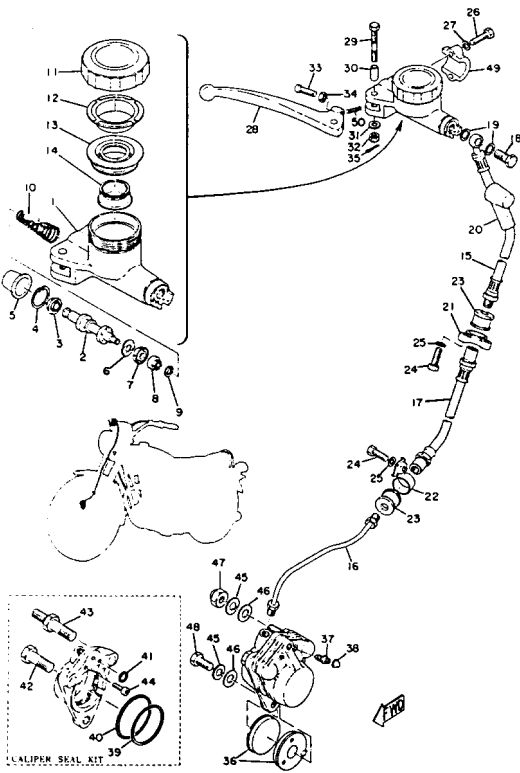
MASTER - CYLINDER - CALIPER (XS2)



Ref. No.	Part Number	Description	Qty	Remarks
11	306-25852-00-00	.. CAP, RESERVOIR	1	
	360-25852-00-00	.. CAP, RESERVOIR	1	
12	(306-25855-00-00)	BUSH, DIAPHRAGM	1	
	2GU-25855-00-00	.. BUSH, DIAPHRAGM	1	
13	(306-25854-00-00)	DIAPHRAGM RESERVOR	1	
	360-25854-00-00	.. DIAPHRAGM, RESERVOIR ..	1	
14	(306-25853-00-00)	FLOAT, RESERVOIR	1	
	360-25853-00-00	.. FLOAT, RESERVOIR	1	
15	306-25872-06-00	HOSE, BRAKE 1	1	
16	306-25871-00-00	PIPE, BRAKE	1	
17	306-25873-05-00	HOSE, BRAKE 2 (306-25873-04)	1	
18	90401-10034-00	BOLT, UNION	1	
19	90201-10118-00	WASHER, PLATE	2	
20	306-25862-00-00	BOOT, MASTER CYLINDER ...	1	
21	(306-25875-00-00)	HOLDER, BRKE HOSE 1	1	
22	(306-25876-00-00)	HOLDER, BRKE HOSE 2	1	
23	306-25881-00-00	PROTC, BRAKE HOSE	2	
24	97011-06020-00	BOLT	3	
	97011-06025-00	BOLT (97001-06025)	1	
25	92995-06100-00	WASHER, SPRING	3	
26	97011-06025-00	BOLT (97001-06025)	2	
27	92995-06100-00	WASHER, SPRING	2	
28	306-83922-01-00	LEVER R	1	USE WITH 32 AND 33
29	90109-06103-00	BOLT (306-83925-00)	1	
30	(90179-06171-00)	NUT, SPEC'L SHAPE	1	
31	92990-05200-00	WASHER, PLAIN	1	
32	95301-05900-00	NUT, SLOTTED	1	
33	90146-06005-00	SCREW, OVAL FLSTR (306-83928-01)	1	

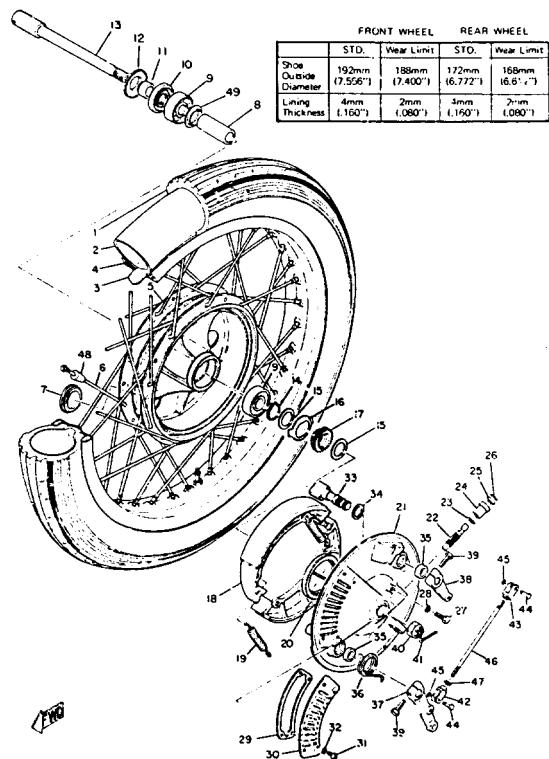
CONTINUED ON NEXT FRAME ►

MASTER - CYLINDER - CALIPER (XS2)



Ref. No.	Part Number	Description	Qty	Remarks
34	90170-06010-00	NUT	1	PN330
	95380-06700-00	NUT	1	
35	91401-12018-00	PIN, COTTER	1	
36	1A1-W0045-00-00	. BRAKE PAD KIT, FRNT	2	
	1A1-W0045-00-00	. BRAKE PAD KIT, FRNT	2	PN315
37	306-25824-00-00	. SCREW, BLEED	1	
38	306-25825-01-00	. CAP	1	
44	306-25826-01-00	.. BOLT 3	2	
45	92990-10100-00	LOCKWASHER	2	
46	92990-10200-00	WASHER, PLAIN	2	
47	95303-10800-00	NUT (CROWN) (92803-10700) .	1	
48	(90109-10041-00)	BOLT	1	
49	1J3-25867-00-00	BRACKET, MASTER CYLINDER (341-25867-00)	1	FROSTING BLACK
50	90501-10312-00	SPRING, COMPRESSION	1	
-1	(366-25850-02-00)	MSTR CYLINDER ASSEMBLY .	1	
-2	1A0-W0041-00-00	. CYLINDER KIT, MASTER (360-20000-10)	1	
-3	(306-20000-20-00)	CUP KIT	1	
	(360-20000-20-00)	CUP KIT	1	
-4	(306-20000-30-00)	RESERVER KIT	1	
-5	306-25810-0A-00	CALIPER ASSEMBLY (306-25810-09)	1	
-6	306-20000-51-00	. CALIPER SEAL KIT	1	

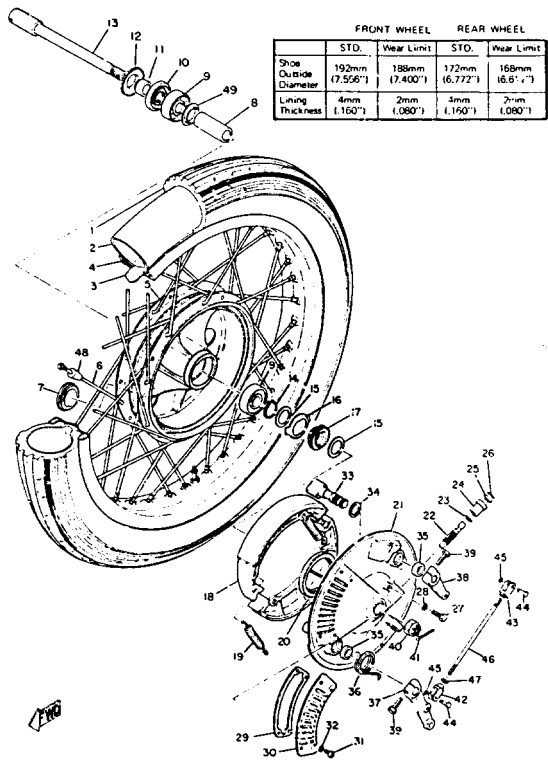
FRONT WHEEL (XS1 - XS1B)



Ref. No.	Part Number	Description	Qty	Remarks
1	(94135-19345-00)	350H19BS S21F 4PLY	1	
2	(94232-19064-00)	TUBE	1	
3	94325-19027-00	BAND, RIM (3.50-19) (94335-19026-00)	1	
4	(94418-19048-00)	RIM 1.85X 9	1	
5	(256-25111-00-00)	HUB, FRONT	1	
6	(256-25104-00-00)	SPOKE SET, FRONT	1	
7	90338-34053-00	PLUG, SPEC'L SHAPE (256-25139-00)	6	
8	(152-25117-00-00)	SPACER, BEARING	1	
9	93306-30309-00	BEARING	2	
10	93102-25044-00	OIL SEAL	1	
11	(90387-17430-00)	COLLAR	1	
12	256-25118-00-00	NO LONGER AVAILABLE	1	
13	(256-25181-00-00)	AXLE, WHEEL	1	
14	93410-25010-00	CIRCLIP, S-TYPE	1	
15	90201-25490-00	WASHER, PLATE	2	
16	(256-25149-00-00)	CLUTCH, METER	1	
17	(256-25135-00-00)	GEAR, DRIVE	1	
18	1JN-W2535-00-00	BRAKE SHOE SET	2	
19	90507-20002-00	SPRING, TENSION	2	
20	(93102-60066-00)	OIL SEAL, SD-TYPE	1	
21	(256-25121-00-00)	PLATE, BRAKE SHOE	1	
22	214-25138-00-00	GEAR, METER	1	
23	90201-07076-00	WASHER, PLATE	1	
24	109-25136-00-00	BUSH	1	
25	93104-07003-00	OIL SEAL	1	
26	93210-14104-00	O-RING	1	
27	97011-06020-00	BOLT	1	

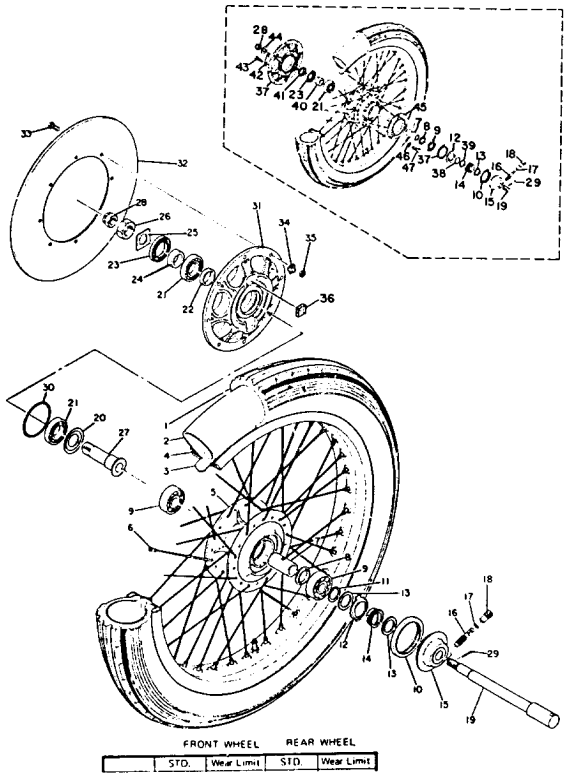
CONTINUED ON NEXT FRAME ►

FRONT WHEEL (XS1 - XS1B)



Ref. No.	Part Number	Description	Qty	Remarks
28	92995-06100-00	WASHER, SPRING	1	
29	(256-25129-00-00)	SEAL, PLATE DUST	1	
30	(256-25127-00-00)	COVER, PLATE	1	
31	98580-04010-00	SCREW, PAN HEAD	4	
32	92901-04100-00	WASHER, SPRING	4	
33	(4R5-25151-00-00)	CAMSHAFT	2	
34	148-25353-00-00	SHIM, CAMSHAFT	2	
35	148-25359-00-00	SEAL, CAMSHAFT	2	
36	(90508-26038-00)	SPRING, TORSION	1	
37	(256-25155-00-00)	LEVER, CAMSHAFT 1	1	
38	(256-25156-00-00)	LEVER, CAMSHAFT 2	1	
39	97023-06020-00	BOLT (3XF)	2	
40	90171-14020-00	NUT, CASTLE	1	
41	91401-30030-00	PIN, COTTER	1	
42	152-25163-00-00	END, ROD 1	1	
43	152-25164-00-00	END, ROD 2	1	
44	90249-06095-00	PIN, SPEC'L SHAPE	2	
45	93430-04002-00	CIRCLIP	2	
46	(256-25161-00-00)	ROD, CONNECTING	1	
47	95380-06700-00	NUT	1	
48	156-25398-00-00	BALANCER, WHEEL	1	
49	146-25315-00-00	FLANGE, SPACER	1	

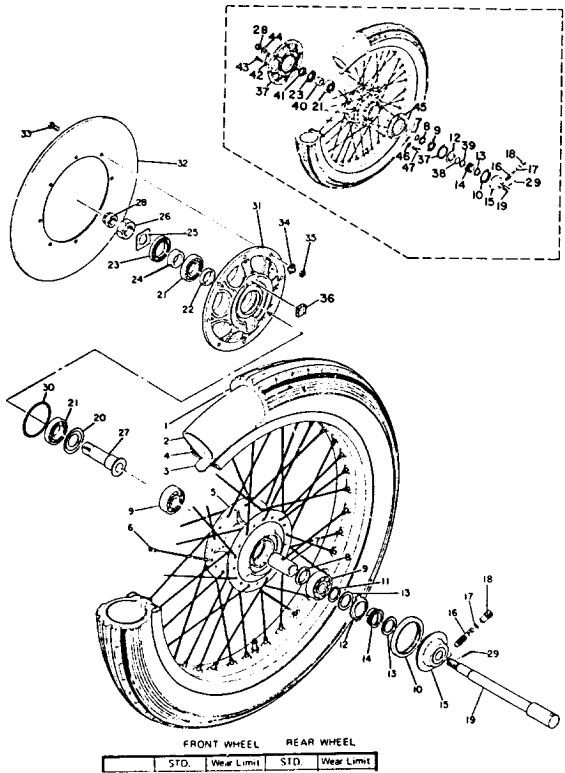
FRONT WHEEL (XS2) TX650



Ref. No.	Part Number	Description	Qty	Remarks
1	(94135-19345-00)	350H19BS S21F 4PLY	1	
2	94210-19222-00	TUBE (3.25-19)	1	
3	94325-19027-00	BAND, RIM (3.50-19) (94335-19026-00)	1	
4	94418-19059-00	RIM 1.85X 9	1	
5	(306-25111-00-00)	HUB, FRONT	1	
	341-25111-01-00	HUB, FRONT	1	
6	(306-25104-00-00)	SPOKE SET, FRONT	1	
7	(306-25117-00-00)	SPACER, BEARING	1	
	90560-17126-00	SPACER	1	
8	146-25315-00-00	FLANGE, SPACER	1	
9	93306-30309-00	BEARING	2	
10	(93102-60066-00)	OIL SEAL, SD-TYPE	1	
	93105-45017-00	OIL SEAL	1	
11	93410-25010-00	CIRCLIP, S-TYPE	1	
12	(256-25149-00-00)	CLUTCH, METER	1	
	341-25149-00-00	CLUTCH, METER	1	
13	90201-25490-00	WASHER, PLATE	1	
	90201-25490-00	WASHER, PLATE	2	
14	(306-25135-00-00)	GEAR, DRIVE	1	
	341-25135-01-00	GEAR, DRIVE	1	
15	(306-25191-00-00)	HOUSING, GEAR	1	
	341-25191-01-00	HOUSING, GEAR	1	
16	306-25138-00-00	GEAR, METER	1	
17	102-18416-00-00	SHIM, ROD	1	
18	306-25136-00-00	BUSH	1	
19	(306-25181-00-00)	AXLE, WHEEL	1	
	341-25181-01-00	AXLE, WHEEL	1	
20	(306-25836-00-00)	COVER, DUST	1	

CONTINUED ON NEXT FRAME ►

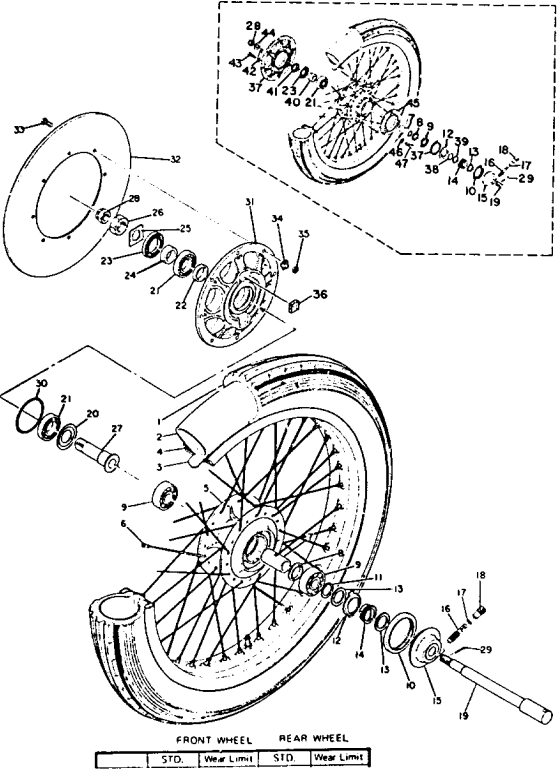
FRONT WHEEL (XS2) TX650



Ref. No.	Part Number	Description	Qty	Remarks
21	93306-30302-00	BEARING	2	
	93316-00503-00	BEARING, CYLINDER.#16 (93316-00504)	2	
22	(90560-25046-00)	SPACER	1	
23	(93106-30008-00)	OIL SEAL, DD-TYPE	1	
	93102-28022-00	OIL SEAL	1	
24	(90387-22440-00)	COLLAR	1	
25	(90209-22113-00)	WASHER, SPEC'L SHAP	1	
26	90170-22097-00	NUT, HEXAGON	1	
27	(306-25835-00-00)	AXLE, DISC	1	
28	90171-14020-00	NUT, CASTLE	1	
29	91401-30030-00	PIN, COTTER	1	
30	93210-56052-00	O-RING (3.0-56.2)	1	
31	(306-25832-00-00)	BRACKET, DISC	1	
	(341-25832-01-00)	BRACKET, DISC	1	
32	(306-25831-00-00)	DISC, BRAKE	1	
33	90109-06018-00	BOLT	8	
34	90215-06106-00	WASHER, LOCK (306-25834-00)	8	
35	95380-06600-00	NUT	8	
36	(306-25837-01-00)	DAMPER, DISC BRKT	2	F/N 108295
37	341-25846-00-00	RETAINER, CLUTCH	1	
38	341-25137-00-00	RING, STOP	1	
39	90201-25286-00	WASHER, PLATE (341-25147-00)	1	
40	90387-17433-00	COLLAR	1	
41	341-25118-00-00	COVER, hub dust	1	
42	341-25412-00-00	WASHER	3	
43	90109-08367-00	BOLT (341-25411-00)	6	
44	92990-14200-00	WASHER, PLAIN	1	

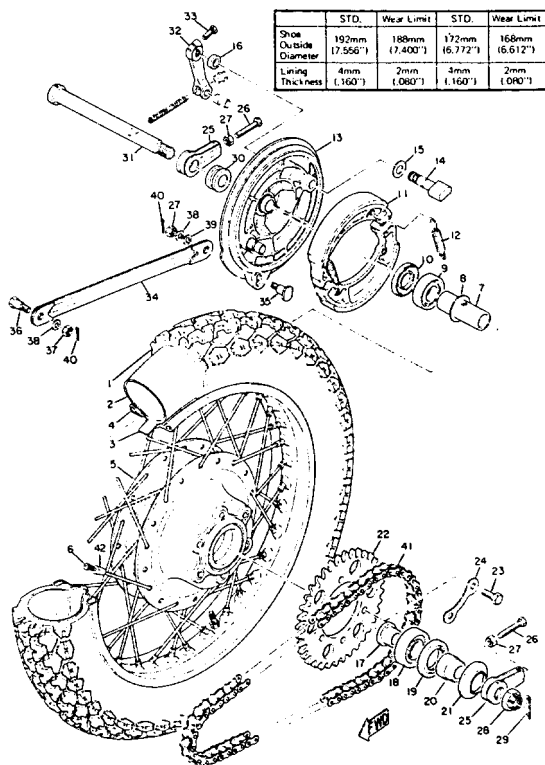
CONTINUED ON NEXT FRAME ►

FRONT WHEEL (XS2) TX650



Ref. No.	Part Number	Description	Qty	Remarks
45	(341-25847-01-00)	COVER, HOUSING	1	
46	(341-25844-00-00)	WASHER, LOCK	3	
47	90109-08367-00	BOLT (341-25411-00)	3	

REAR WHEEL

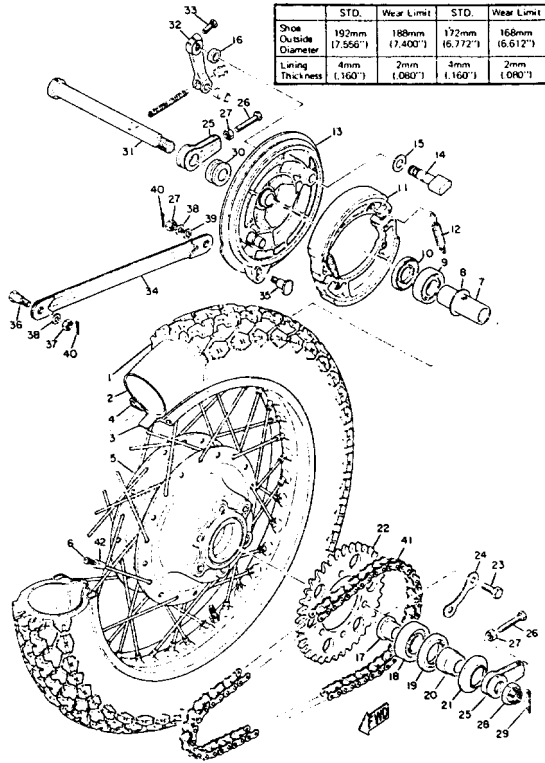


	STD.	Wear Limit	STD.	Wear Limit
Shoe Outside Diameter	192mm (7.556")	188mm (7.400")	172mm (6.772")	168mm (6.612")
Lining Thickness	4mm (0.160")	2mm (0.080")	3mm (0.118")	2mm (0.080")

Ref. No.	Part Number	Description	Qty	Remarks
1	(94140-18340-00)	400H18 Y987 YOKO	1	
2	94240-18098-00	TUBE (4.00-18)	1	
3	94340-18022-00	BAND, RIM (4.00-18)	1	
4	(94421-18049-00)	RIM 2.15X 8	1	
5	(256-25311-00-00)	HUB, REAR	1	
6	(256-25396-90-00)	SPOKE SET, INNER 2	18	
	(256-25397-90-00)	SPOKE SET, OUTER 2	18	
	256-25304-00-00	SPOKE SET, REAR	1	
7	90560-20135-00	SPACER	1	
8	4V4-25315-00-00	FLANGE, SPACER	1	
9	93306-30417-00	BEARING (B6304ZZ)	1	
10	93104-27026-00	OIL SEAL, SO-TYPE	1	
11	4L0-W2536-00-00	BRAKESHOE SET-2PCS	2	
12	90507-20002-00	SPRING, TENSION	2	
13	(99999-01046-00)	PLATE BRAKE SHOE	1	
14	(168-25351-00-00)	CAMSHAFT	1	
15	148-25353-00-00	SHIM, CAMSHAFT	1	
16	148-25359-00-00	SEAL, CAMSHAFT	1	
17	90387-20166-00	COLLAR	1	
18	93306-30507-00	BEARING	1	
19	93102-35065-00	OIL SEAL, SD-TYPE	1	
20	90387-20176-00	COLLAR	1	
21	256-25367-00-00	COVER, HUB DUST	1	
22	256-25432-20-33	SPROCKET, DRIVN 32T (32T)	1	ALTERNATE PARTS
	256-25434-20-33	SPROCKET, DRIVN 34T	1	STD
	256-25436-20-33	SPROCKET, DRIVN 36T (36T)	1	ALTERNATE PARTS
	256-25438-20-33	SPROCKET, DRIVN 38T (38T)	1	ALTERNATE PARTS
	256-25440-20-33	SPROCKET, DRIVN 40T (42T)	1	ALTERNATE PARTS
23	90105-10007-00	BOLT, WASHER BASED	6	

CONTINUED ON NEXT FRAME ➤

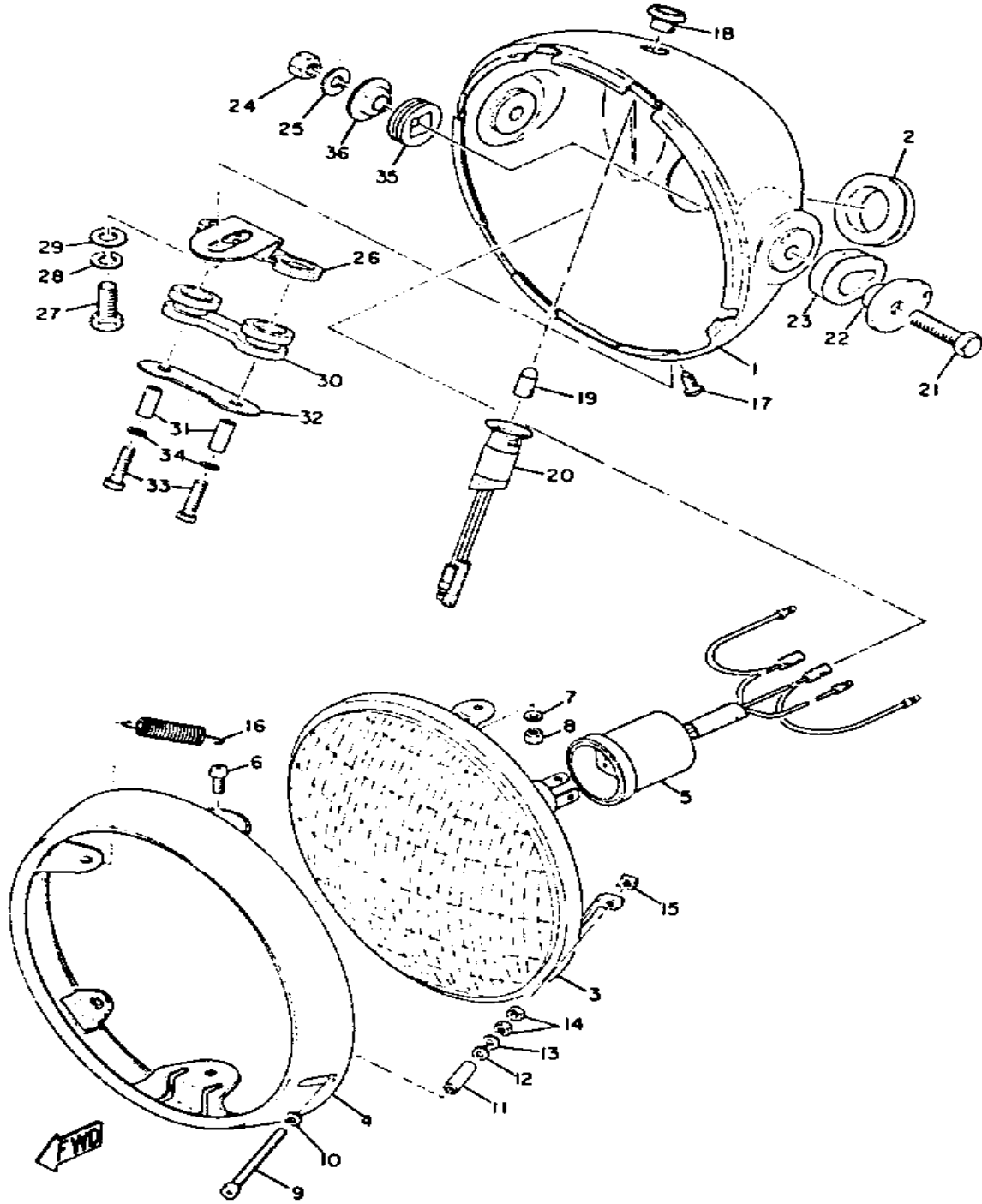
REAR WHEEL



	STD.	Wear Limit	STD.	Wear Limit
Shoe Outside Diameter	192mm (7.561")	188mm (7.407")	172mm (6.772")	168mm (6.612")
Lining Thickness	4mm (1.575")	2mm (0.080")	3mm (1.180")	2mm (0.080")

Ref. No.	Part Number	Description	Qty	Remarks
24	256-25412-00-00	WASHER	3	
25	256-25388-00-00	PULLER, CHAIN 1	2	
26	90101-08699-00	BOLT	2	
27	95303-08700-00	NUT	3	
28	90171-18043-00	NUT, CASTLE	1	
29	91401-40040-00	PIN, COTTER	1	
30	90387-20201-00	COLLAR (256-25383-00)	1	
31	256-25381-00-00	AXLE, WHEEL	1	
32	214-25355-00-00	LEVER, CAMSHAFT	1	
33	97023-06020-00	BOLT (3XF)	1	
34	(256-25371-00-00)	BAR, TENSION	1	
35	90109-08184-00	BOLT (168-25378-00)	1	
36	90109-08375-00	BOLT (168-25373-00)	1	
37	95333-08600-00	NUT, HEXAGON	1	
38	92990-08100-00	WASHER	1	
39	92990-08200-00	WASHER, PLAIN	2	
40	91490-20020-00	PIN, COTTER	2	PN315
41	(94575-30098-00)	530HDS 98L	1	PN315
42	156-25398-00-00	BALANCER, WHEEL	1	
41-1	(94645-30001-00)	JOINT CHAIN	1	
	94680-05011-00	CHAIN JOINT	1	

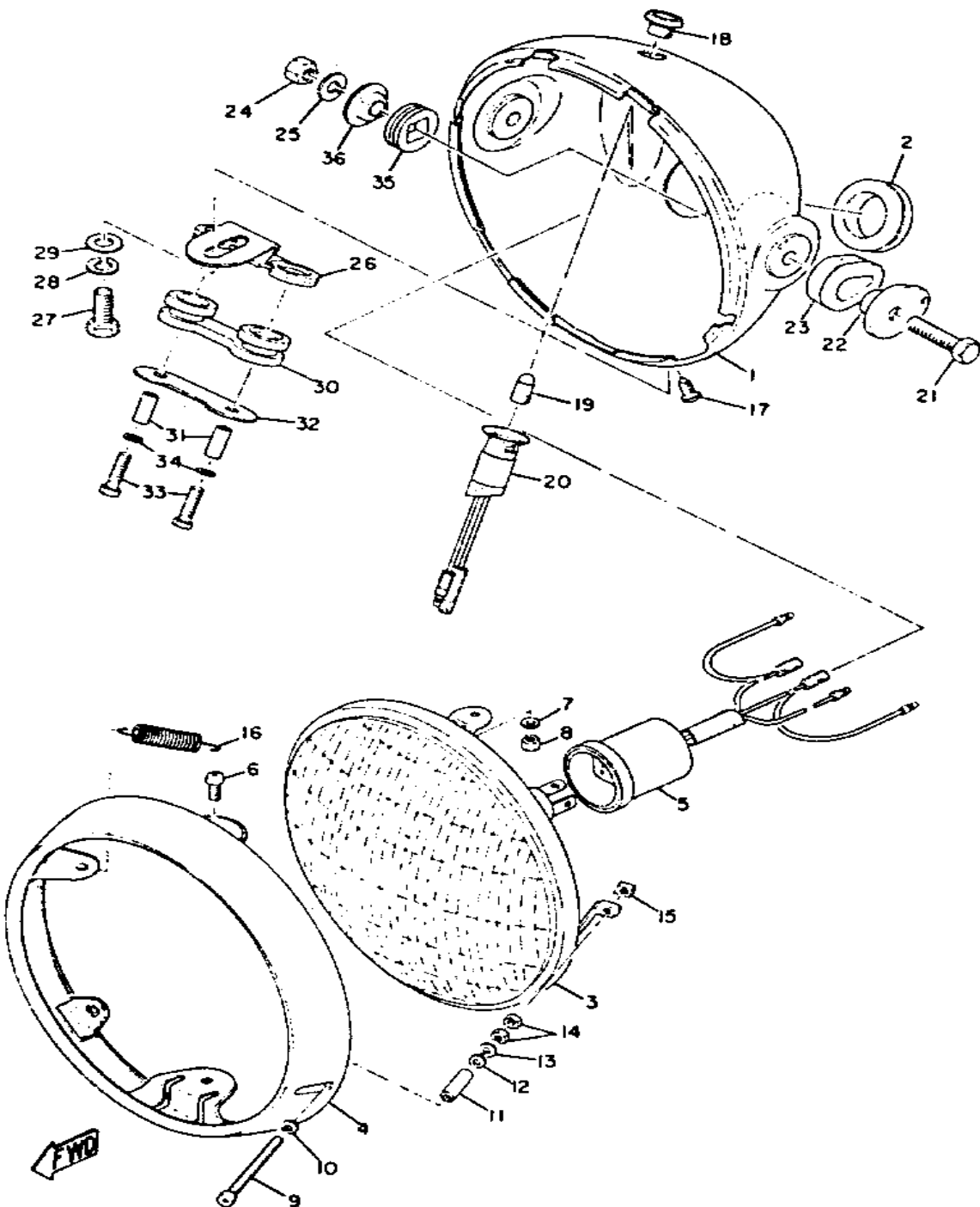
HEAD LAMP



Ref. No.	Part Number	Description	Qty	Remarks
1	(256-84330-60-52)	BODY ASSEMBLY	1	CANDY GREEN
	(256-84330-60-63)	BODY ASSEMBLY	1	BRILLIANT RED
	(256-84330-60-F5)	BODY ASSEMBLY	1	METALLIC FLAKE BLUE
	(256-84330-60-K9)	BODY ASSEMBLY	1	
	(256-84330-60-K9)	BODY ASSEMBLY	1	CANDY GREEN
2	256-84353-60-00	. GROMMET	2	
3	256-84320-60-00	LENS ASSEMBLY	1	
4	256-84315-60-00	RIM, HEADLIGHT	1	
5	246-84312-60-00	SOCKET	1	
6	98580-05012-00	. SCREW, PAN HEAD	2	
7	92990-05100-00	WASHER, SPRING	2	
8	95380-05600-00	. NUT	2	
9	98501-04050-00	SCREW, PAN HEAD	1	
10	233-84127-60-00	WASHER, SPECIAL	1	
11	233-84133-60-00	COLLAR, SCREW	1	
12	92990-04200-00	WASHER, PLAIN	1	
13	132-84328-60-00	SPACER	1	
14	95301-04700-00	NUT (95302-04700)	2	
15	198-84334-60-00	NUT, ADJUSTING	1	
16	(168-84335-60-00)	SPRING	1	
17	90152-05005-00	SCREW, COUNTERSUNK	2	
18	256-84357-61-00	BODY, PILOT LIGHT	1	PN315
19	256-84347-00-00	BULB	1	
20	256-84301-61-00	PILOT LIGHT ASSEMBLY 1 ...	1	
21	97323-08305-00	UNAVAILABLE IN PRICE BOOK (97103-08035)	2	
22	256-83316-00-00	COLLAR, FLASHER 1	2	
23	256-83321-00-00	DAMPER, FLASHER 1	2	

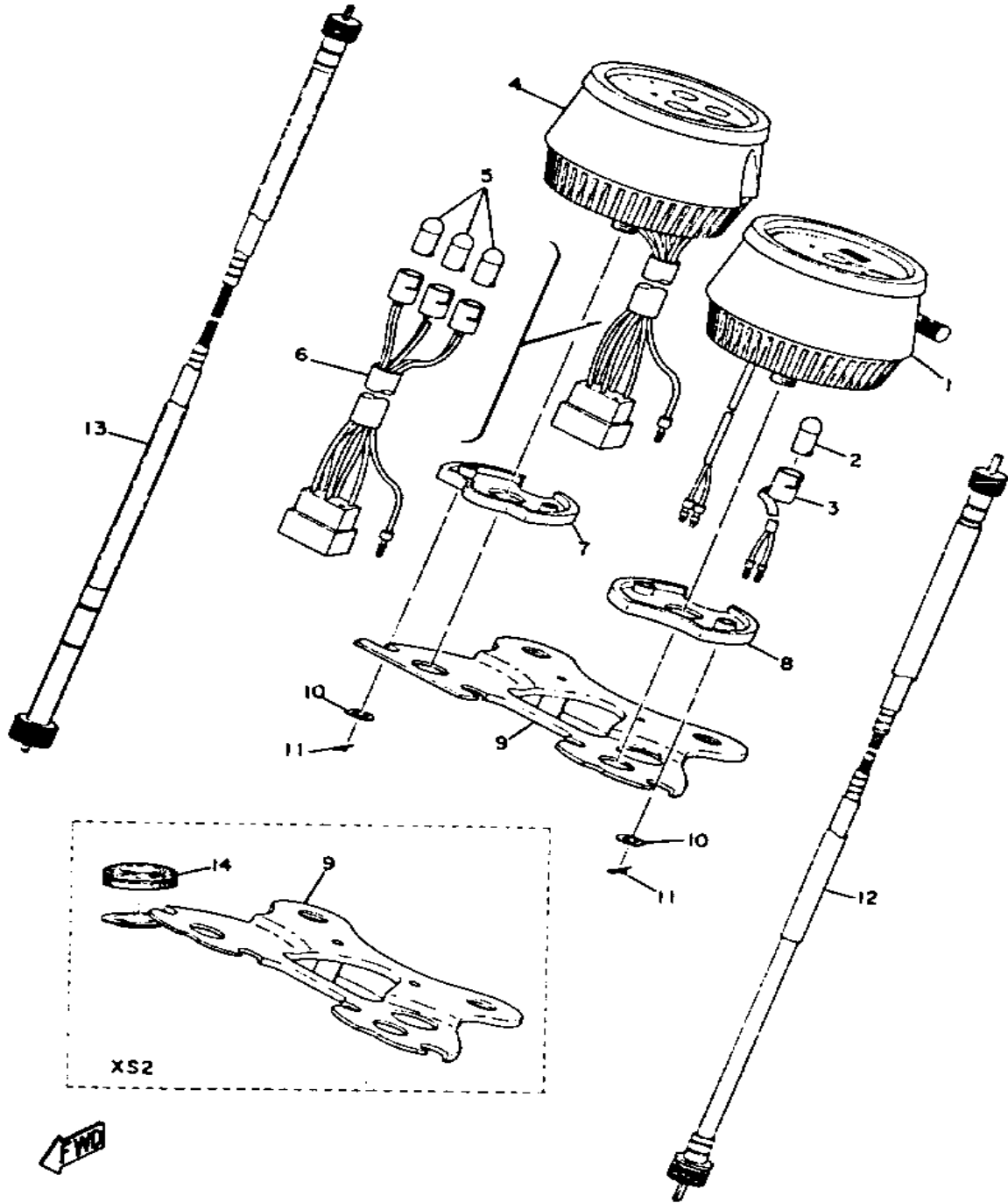
CONTINUED ON NEXT FRAME ►

HEAD LAMP



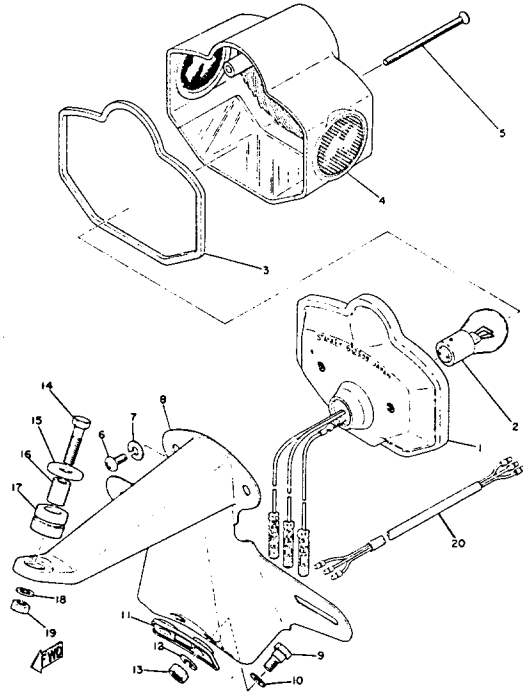
Ref. No.	Part Number	Description	Qty	Remarks
24	95333-08600-00	NUT, HEXAGON	2	
25	92990-08100-00	WASHER	2	
26	256-84318-01-00	STAY, HEADLIGHT 1	1	
27	97313-08018-00	BOLT, HEXAGON (97301-08016)	1	
28	92990-08100-00	WASHER	1	
29	92990-08200-00	WASHER, PLAIN	1	
30	(256-84336-00-00)	DAMPER, HEADLIGHT	1	
31	90387-07598-00	COLLAR	2	
32	(256-84344-00-00)	WASHER, PLAIN	1	
	90201-06073-00	WASHER, PLATE	2	354~
33	97011-06025-00	BOLT (97001-06025)	2	
34	92995-06100-00	WASHER, SPRING	2	
35	256-84345-60-00	DAMPER, HEADLIGHT	2	
36	214-84145-60-00	COLLAR, BODY FTNG	2	
-2	256-84301-61-00	. PILOT LIGHT ASSEMBLY 1 ..	1	

SPEEDOMETER - TACHOMETER



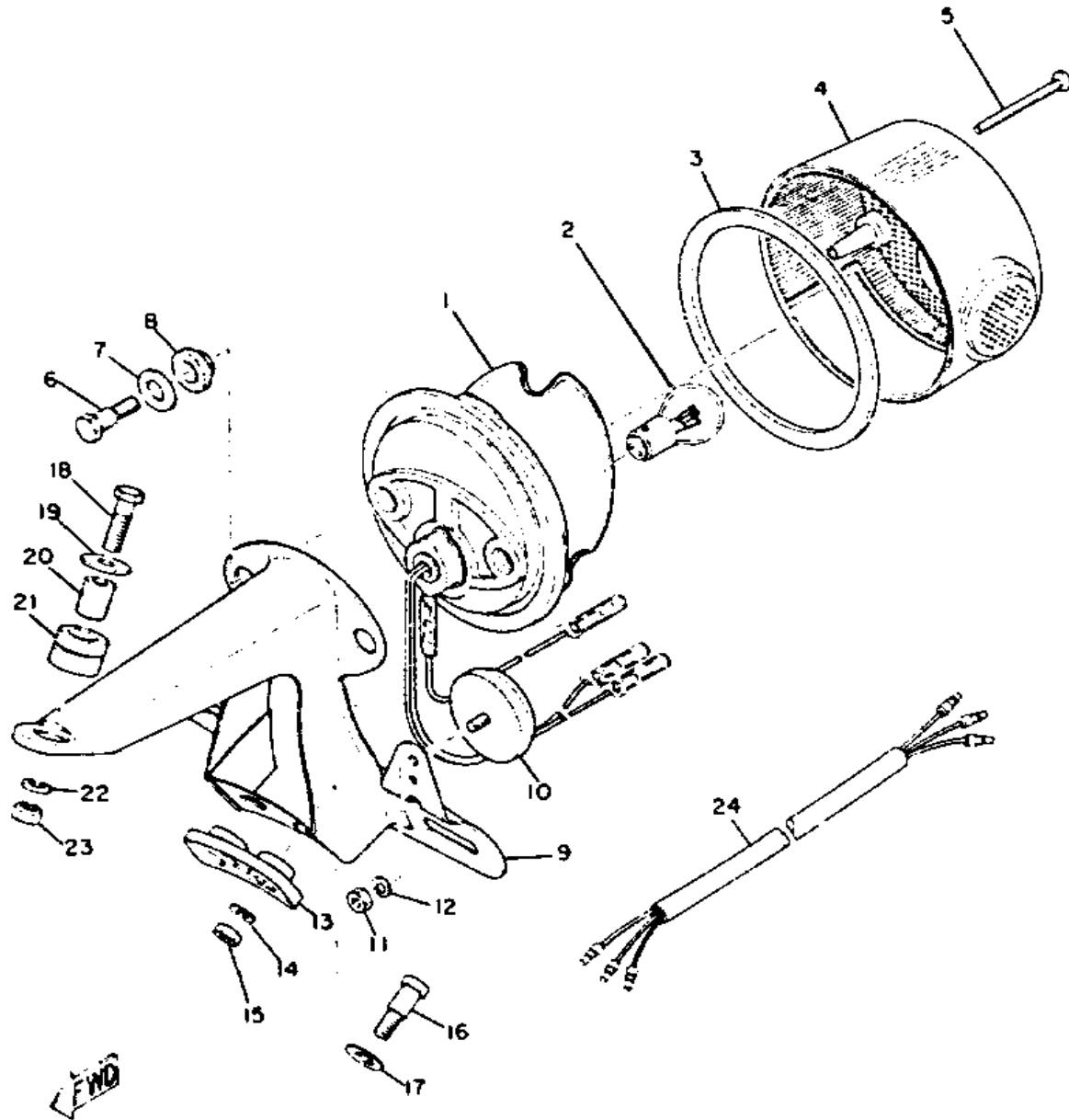
Ref. No.	Part Number	Description	Qty	Remarks
1	256-83570-40-00	SPEEDOMETER ASSEMBLY ..	1	
	306-83570-40-00	SPEEDOMETER ASSEMBLY ..	1	
2	123-83516-21-00	. BULB (12V-3.4W)	1	
3	(256-83536-20-00)	. SOCKET, METER	1	
4	(306-83540-00-00)	TACHOMETER ASSEMBLY ...	1	
5	123-83516-21-00	. BULB (12V-3.4W)	3	
6	(256-83520-00-00)	. SOCKET CORD ASSEMBLY .	1	
7	237-83523-00-00	DAMPER	1	
8	(256-83523-00-00)	DAMPER	1	
	237-83523-00-00	DAMPER	1	
9	(256-83519-00-00)	BRACKET, METER	1	
	(256-83519-01-33)	BRACKET, METER 0 0	1	354-PN315
	(306-83519-00-00)	BRACKET, METER	1	
10	90209-05029-00	WASHER, SPEC'L SHAP (214-83524-00)	4	
11	90468-10050-00	. CLIP	4	
12	11L-83550-00-00	SPEEDOMETER CABLE (306-83550-00)	1	
	237-83550-01-00	SPEEDOMETER CABLE (256-83550-00)	1	
	34X-83550-01-00	SPEEDOMETER CABLE ASSEMBLY	1	
13	256-83560-01-00	TACHOMETER CABLE (256-83560-00)	1	
14	90480-22040-00	GROMMET (306-26289-00)	1	

TAIL LAMP (XS1)



Ref. No.	Part Number	Description	Qty	Remarks
1	(275-84511-61-00)	BASE, TAILLIGHT	1	
	(306-84711-61-00)	BASE, TAILLIGHT	1	
	(366-84711-60-00)	BASE, TAILLIGHT	1	
2	256-84714-61-00	. BULB (12V-27/8W)	1	
3	275-84523-60-00	. GASKET, LENS	1	
4	(256-84721-60-00)	LENS, TAILLIGHT	1	
	341-84721-60-00	. LENS, TAILLIGHT	1	
5	98501-04050-00	. SCREW, PAN HEAD	3	
	98580-04055-00	. SCREW, LENS FITTING	3	
6	(479-84526-00-00)	SCREW	2	
7	2H7-84754-00-00	. WASHER, SPECIAL	2	
8	275-84527-60-00	. DAMPER	2	
9	341-84751-61-93	BRACKET, LICENSE	1	
10	(278-85111-00-00)	REFLECTOR, FRONT 1	2	
	449-85131-02-00	REFLECTOR, REAR 1	2	
11	95380-05600-00	NUT	2	
12	92990-05100-00	WASHER, SPRING	2	
13	214-84553-01-00	DAMPER	1	
14	92995-06100-00	WASHER, SPRING	3	
15	95380-06600-00	NUT	3	
16	90109-06017-00	BOLT	2	
17	92990-08200-00	WASHER, PLAIN	2	
18	97011-06025-00	BOLT (97001-06025)	1	
19	90209-06095-00	WASHER, SPEC'L SHAP (102-28323-00)	1	
20	90387-065L7-00	COLLAR (51L) (214-21633-00)	1	
-1	(306-84710-60-00)	TAILLIGHT UNIT ASSEMBLY	1	
	(366-84710-61-00)	TAILLIGHT UNIT ASSEMBLY	1	
	256-84710-61-00	TAILLIGHT UNIT ASSEMBLY	1	

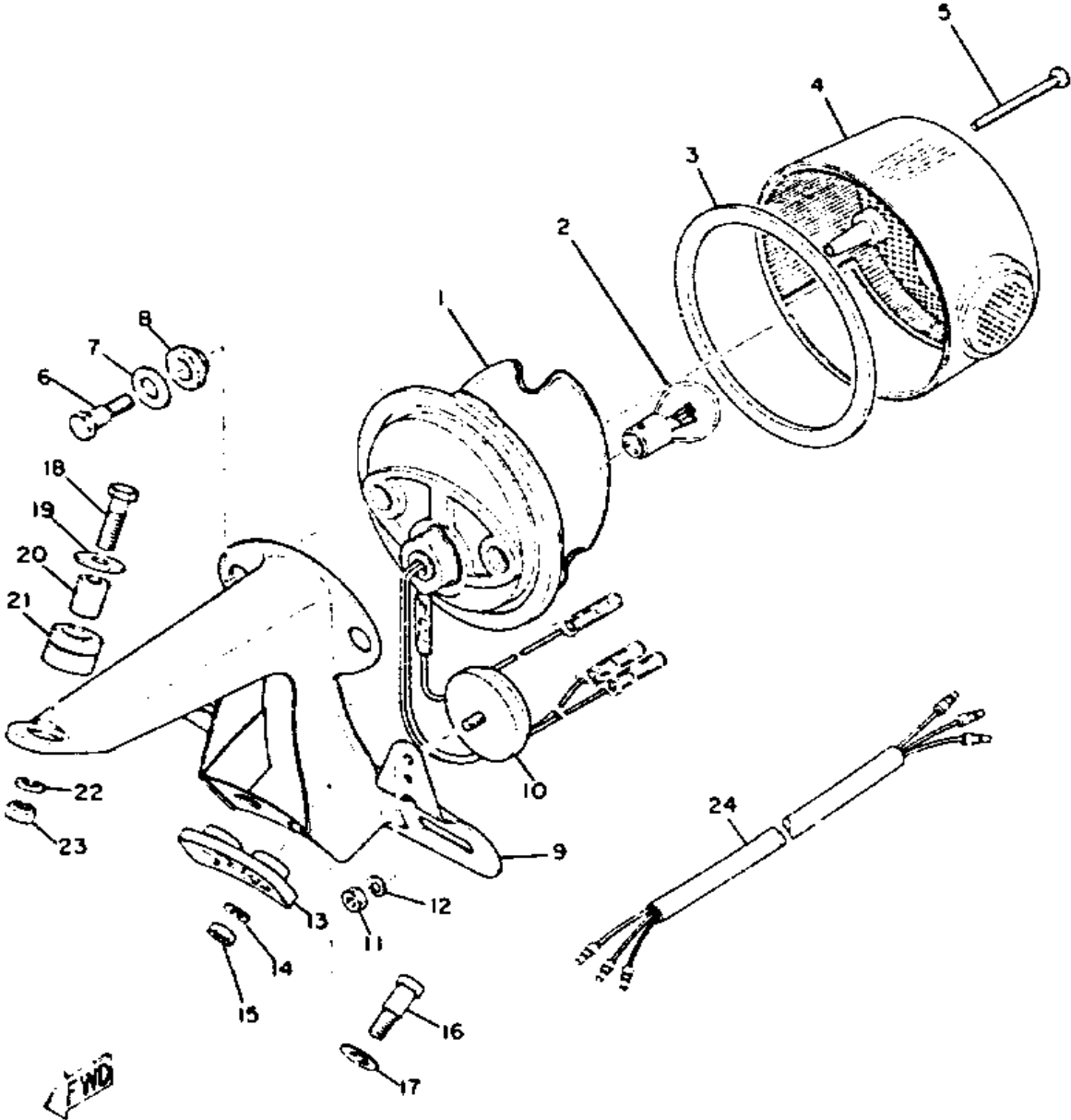
TAIL LAMP (XS1B - XS2 - TX650)



Ref. No.	Part Number	Description	Qty	Remarks
1	(275-84511-61-00)	BASE, TAILLIGHT	1	
	306-84711-60-00	. NO LONGER AVAILABLE	1	
	366-84711-61-00	. UNAVAILABLE IN PRICE BOOK (366-84711-60)	1	
2	256-84714-61-00	. BULB (12V-27/8W)	1	
3	275-84523-60-00	. GASKET, LENS	1	
4	(275-84521-60-00)	LENS, TAILLIGHT	1	
	341-84721-60-00	. LENS, TAILLIGHT	1	
5	98501-04050-00	. SCREW, PAN HEAD	3	
	98580-04055-00	. SCREW, LENS FITTING	3	
6	(479-84526-00-00)	SCREW	2	
7	2H7-84754-00-00	. WASHER, SPECIAL	2	
8	275-84527-60-00	. DAMPER	2	
9	341-84751-61-93	. BRACKET, LICENSE	1	
10	(278-85111-00-00)	REFLECTOR, FRONT 1	2	
	449-85131-02-00	REFLECTOR, REAR 1	2	
11	95380-05600-00	NUT	2	
12	92990-05100-00	WASHER, SPRING	2	
13	214-84553-01-00	DAMPER	1	
14	92995-06100-00	WASHER, SPRING	3	
15	95380-06600-00	NUT	3	
16	90109-06017-00	BOLT	2	
17	92990-08200-00	WASHER, PLAIN	2	
18	97011-06025-00	BOLT (97001-06025)	1	
19	90209-06095-00	WASHER, SPEC'L SHAP (102-28323-00)	1	
20	90387-065L7-00	COLLAR (51L) (214-21633-00)	1	
21	90480-14023-00	GROMMET	1	
22	92995-06100-00	WASHER, SPRING	1	

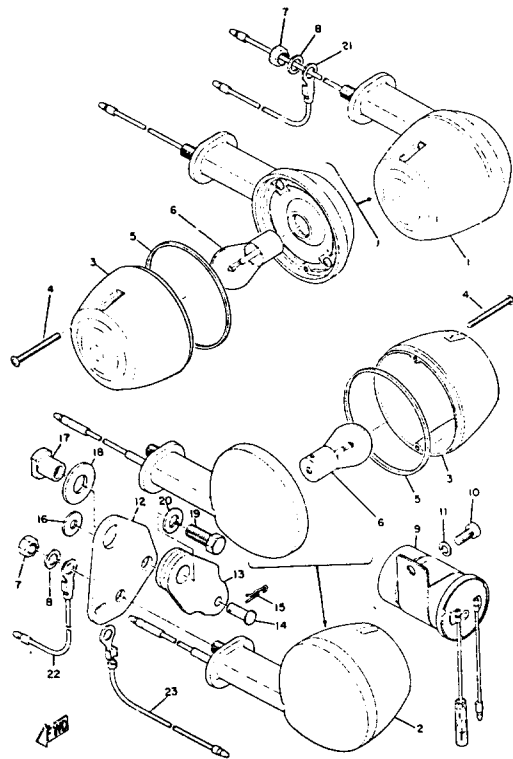
CONTINUED ON NEXT FRAME ►

TAIL LAMP (XS1B - XS2 - TX650)



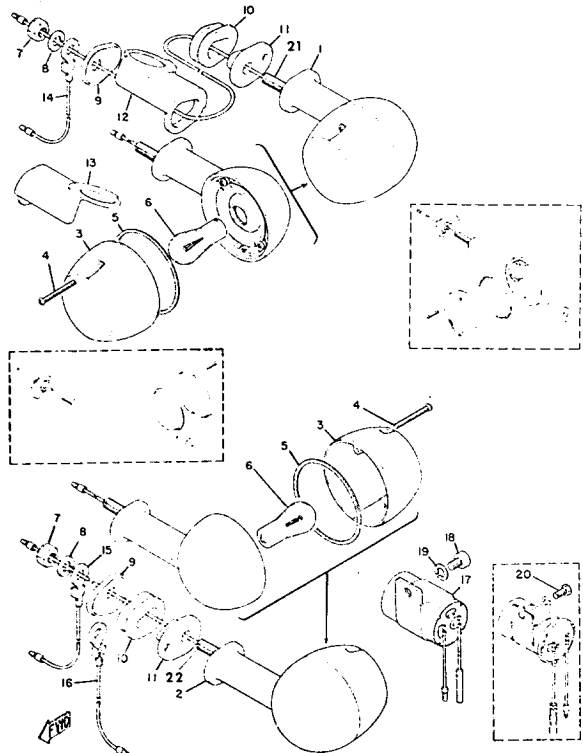
Ref. No.	Part Number	Description	Qty	Remarks
23	95380-06600-00	NUT	1	
24	251-84517-60-00	CORD, TAILLIGHT	1	
25	341-84722-60-00	. WASHER	3	
-1	(306-84710-60-00)	TAILLIGHT UNIT ASSEMBLY ..	1	
	(366-84710-61-00)	TAILLIGHT UNIT ASSEMBLY ..	1	
	256-84710-61-00	TAILLIGHT UNIT ASSEMBLY ..	1	

FLASHER LAMP (XS1 ALTERNATE PART



Ref. No.	Part Number	Description	Qty	Remarks
1	306-83310-70-93	FRT FLSHR LITE ASSEMBLY .	2	AMBER PN315
2	(256-83340-75-93)	R FLSHR LITE ASSEMBLY ...	1	RED PN315
	256-83330-75-93	R FLSHR LITE ASSEMBLY ...	1	RED PN315
3	183-83312-70-00	. LENS, FLASHER	2	AMBER
	211-83332-75-00	. LENS, FLASHER	2	RED
4	183-83333-71-00	. SCREW, LENS FITTING	8	
5	183-83313-70-00	. GASKET, FLSHR LENS	4	
6	256-83311-70-XX	. BULB, TS 12V27W	4	
7	90170-08031-00	NUT, HEXAGON	4	
8	92990-08100-00	WASHER	4	
9	173-83350-70-00	FLASHER RELAY ASSEMBLY .	1	
10	98580-06010-00	SCREW, PAN HEAD (92503-06010)	1	
11	92995-06100-00	WASHER, SPRING	1	
12	(256-83318-00-00)	STAY, FLASHER 1	2	
13	(256-83341-00-00)	DAMPER, FLASHER	2	
14	(91503-06018-00)	PIN, CLEVIS	2	
15	90468-10050-00	CLIP	2	
16	90201-065F3-00	WASHER, PLATE	2	
17	248-21635-00-00	NUT, REAR FENDER	2	
18	90201-12190-00	WASHER, PLATE	2	
19	97313-08018-00	BOLT, HEXAGON (97301-08016)	2	
20	92990-08100-00	WASHER	2	
21	256-84313-01-00	WIRE, EARTH	2	
22	256-83336-01-00	CORD	1	
23	(256-83346-00-00)	CORD	1	

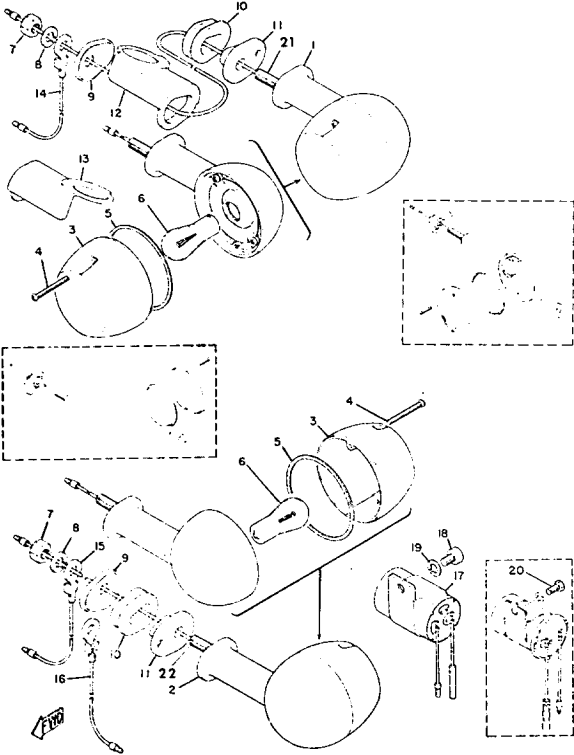
FLASHER LAMP (XS1B - XS2 TX650)



Ref. No.	Part Number	Description	Qty	Remarks
1	256-83320-71-93	FRT FLSHR LITE ASSEMBLY .	2	AMBER
	4G5-83310-90-00	FRONT FLASHER ASSEMBLY .	2	AMBER
2	(256-83340-76-93)	R FLSHR LITE ASSEMBLY ...	1	RED
	366-83330-70-93	R FLSHR LITE ASSEMBLY ...	1	RED
	366-83340-71-93	R FLSHR LITE ASSEMBLY ...	1	RED
3	183-83312-70-00	. LENS, FLASHER	2	AMBER
	211-83332-75-00	. LENS, FLASHER	2	RED
	341-83312-70-00	. LENS, FLASHER	2	AMBER
	341-83332-70-00	. LENS, FLASHER	2	RED
4	183-83333-71-00	. SCREW, LENS FITTING	8	
	341-83333-70-00	. SCREW, LENS FITTING	8	
5	183-83313-70-00	. GASKET, FLSHR LENS	4	
	3Y6-83313-00-00	. GASKET, FLSHR LENS	4	
6	256-83311-70-XX	. BULB, TS 12V27W	4	
7	95333-08600-00	NUT, HEXAGON	4	
8	92990-08100-00	WASHER	4	
9	90209-08028-00	WASHER, SPEC'L SHAP	4	
10	256-83321-00-00	DAMPER, FLASHER 1	4	
11	256-83316-00-00	COLLAR, FLASHER 1	4	
	366-83316-00-00	COLLAR, FLASHER 1	4	
12	256-83368-00-00	STAY, FLASHER	1	
13	(256-83369-00-00)	STAY, FLASHER	1	
14	256-83336-01-00	CORD	2	
15	256-83336-01-00	CORD	1	
16	256-83346-01-00	CORD	1	
17	278-83350-71-00	FLASHER RELAY ASSEMBLY .	1	
18	98580-06010-00	SCREW, PAN HEAD (92503-06010)	1	
19	92995-06100-00	WASHER, SPRING	1	

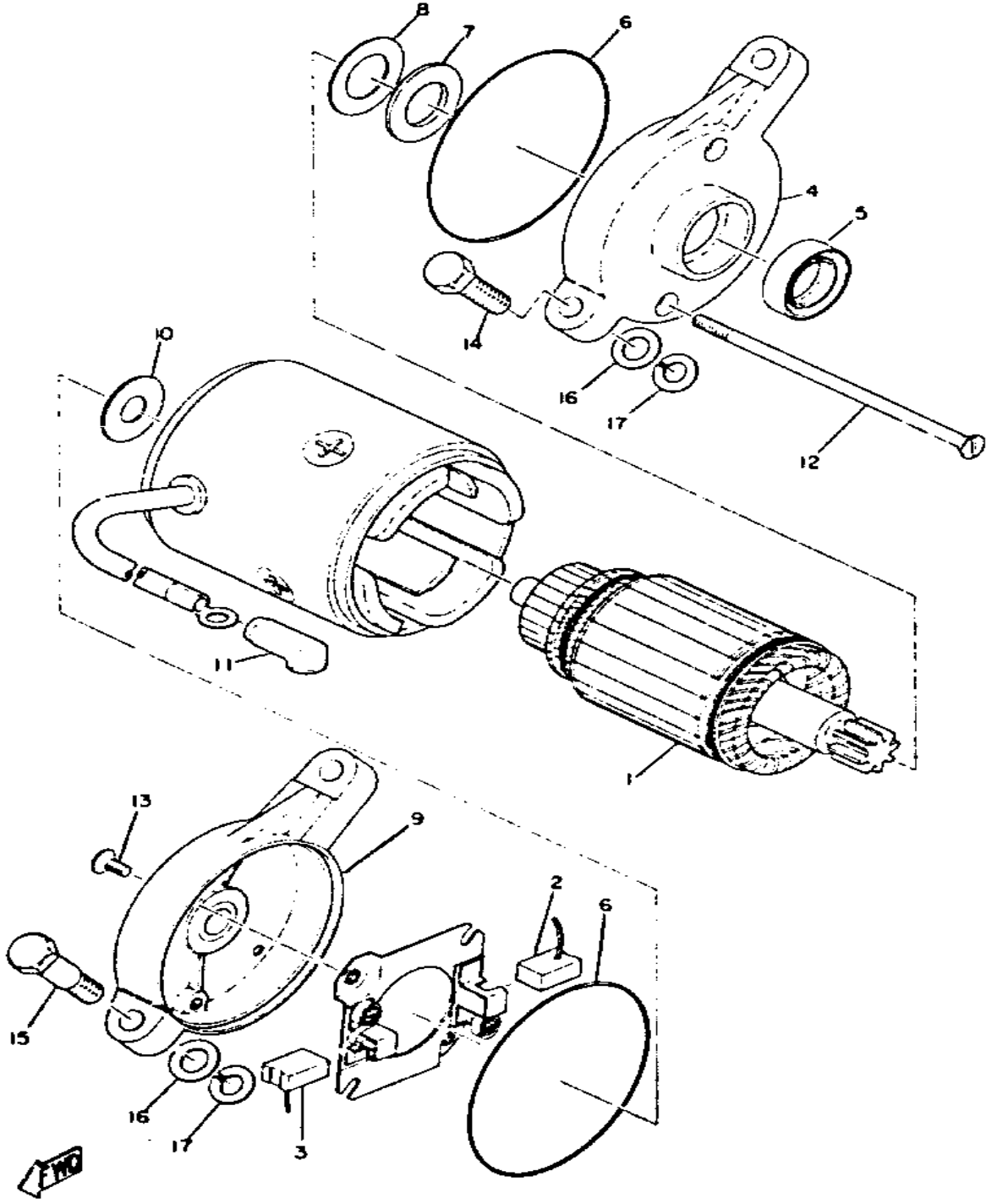
CONTINUED ON NEXT FRAME ►

FLASHER LAMP (XS1B - XS2 TX650)



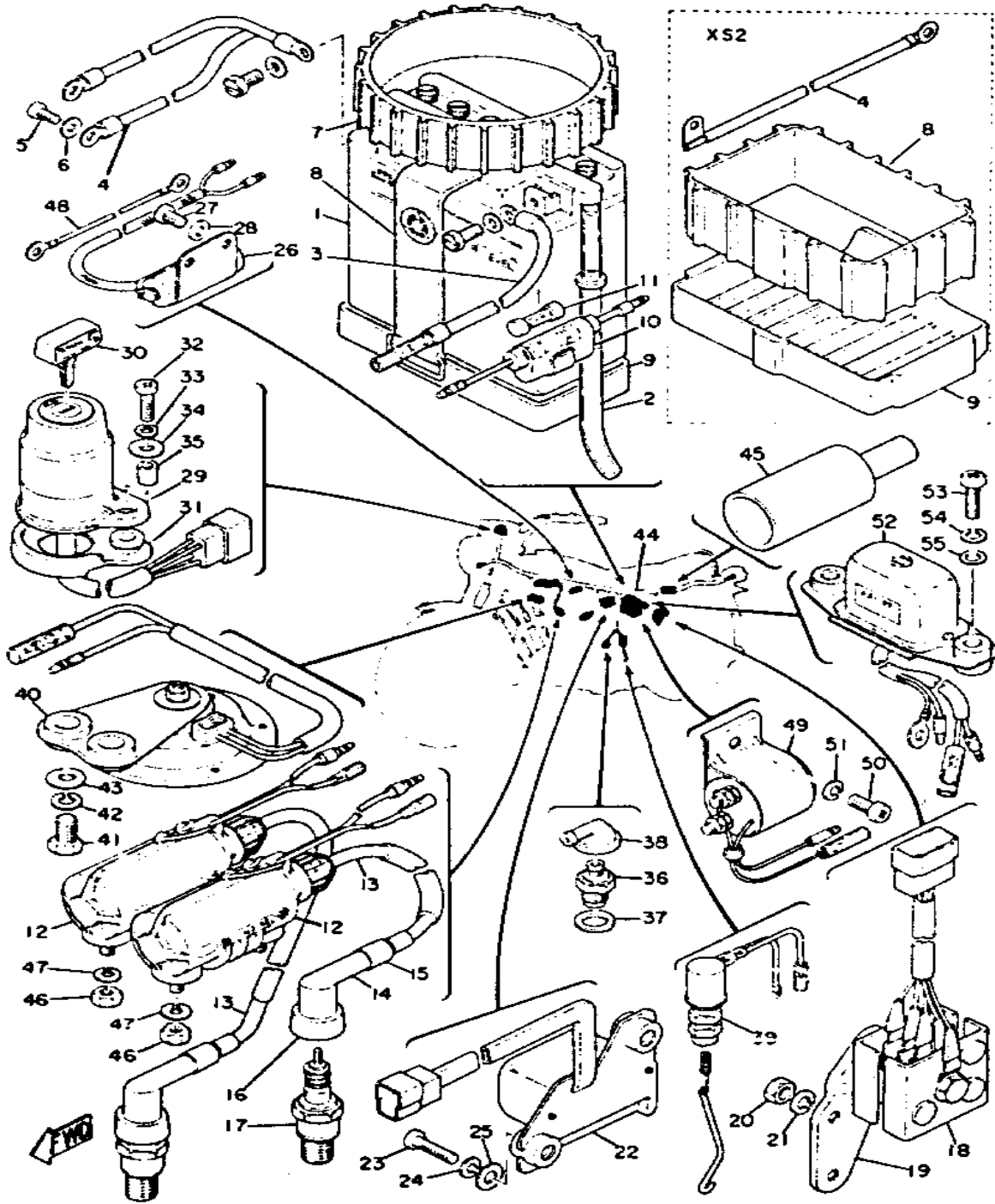
Ref. No.	Part Number	Description	Qty	Remarks
20	97013-06012-00	BOLT	1	
21	341-83367-09-00	BOLT, STUD	2	
22	360-83367-09-00	BOLT, STUD	2	

ELECTRIC MOTOR (XS2)



Ref. No.	Part Number	Description	Qty	Remarks
1	(306-81850-11-00)	ARMATURE ASSEMBLY	1	
2	306-81811-10-00	. BRUSH 1	1	
3	306-81812-10-00	. BRUSH 2	1	
4	(306-81825-10-00)	WASHER, INSULATOR	1	
5	93101-17047-00	. OIL SEAL, S-TYPE	1	
6	306-81827-10-00	. PIECE, FRICTION	2	
7	(306-81893-10-00)	WASHER, SPECIAL	1	
8	306-81828-10-00	. SHIM, WASHER	1	
9	(306-81826-10-00)	BOLT	1	
10	(306-81829-10-00)	GROMMET	2	
11	306-81862-10-00	. CAP	1	
12	306-81823-10-00	. STAY, STARTING MTR	2	
13	98701-04010-00	. SCREW, FLAT HEAD	2	
14	(90109-08393-00)	BOLT	2	
15	97313-08035-00	BOLT, HEXAGON	2	
16	92990-08200-00	WASHER, PLAIN	4	
17	92990-08100-00	WASHER	4	
-1	306-81800-12-00	STARTING MOTOR ASSEMBLY	1	

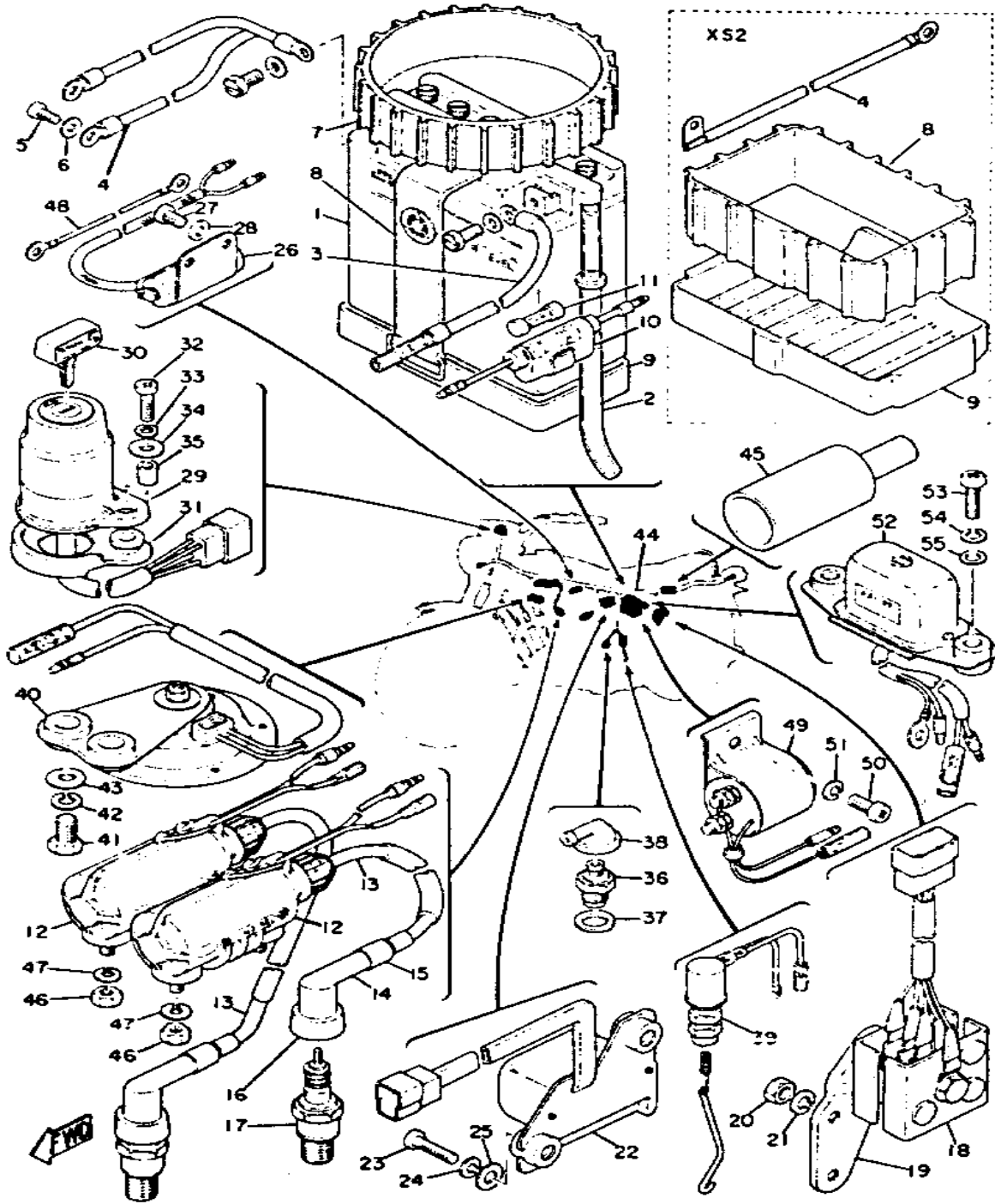
ELECTRICAL



Ref. No.	Part Number	Description	Qty	Remarks
1	BTY-12N12-A4-A1	YUASA 12N12A-4A-1 (366-82110-60)	1	12N12A-4A-1
	BTY-12N55-3B-00	YUASA 12N5.5-3B (131-82110-70)	1	
2	90445-08047-00	HOSE (168-82112-00)	1	
	90445-08582-00	HOSE	1	
3	256-82115-00-00	WIRE, PLUS LEAD	1	
	306-82115-00-00	WIRE, PLUS LEAD	1	
4	256-82116-00-00	WIRE, MINUS LEAD	1	
	306-82116-00-00	WIRE, MINUS LEAD	1	
5	98580-06010-00	SCREW, PAN HEAD (92503-06010)	1	
6	90201-06038-00	WASHER, PLATE	1	
7	(256-82124-00-00)	BAND, BATTERY	1	
8	133-82131-00-00	BAND, BATTERY	1	
	306-82124-00-00	BAND, BATTERY	1	
9	(256-82122-00-00)	SEAT, BATTERY	1	
	(306-82122-01-00)	SEAT, BATTERY	1	
10	2UJ-82150-01-00	FUSE HOLDER ASSEMBLY (2UJ-82150-00-00)	1	
11	1A0-82161-00-00	. FUSE (20A) (148-82151-00-00)	2	
12	254-82310-60-00	IGNITION COIL ASSEMBLY	2	
13	4X7-82341-00-00	CORD, HIGH TENS 1 (4X7-82342-00)	2	
14	256-82370-00-00	PLUG CAP ASSEMBLY	2	
15	(256-82373-00-00)	SEAL, H/TENS CORD	2	
16	(256-82372-00-00)	SEAL, PLUG CAP	2	
17	NGK-B8ES0-00-00	PLUG, SPARK (NGK B8ES)	2	
18	256-81970-11-00	RECTIFIER ASSEMBLY	1	
19	(256-81975-00-00)	PLATE, RECTIFR FTNG	1	

CONTINUED ON NEXT FRAME ►

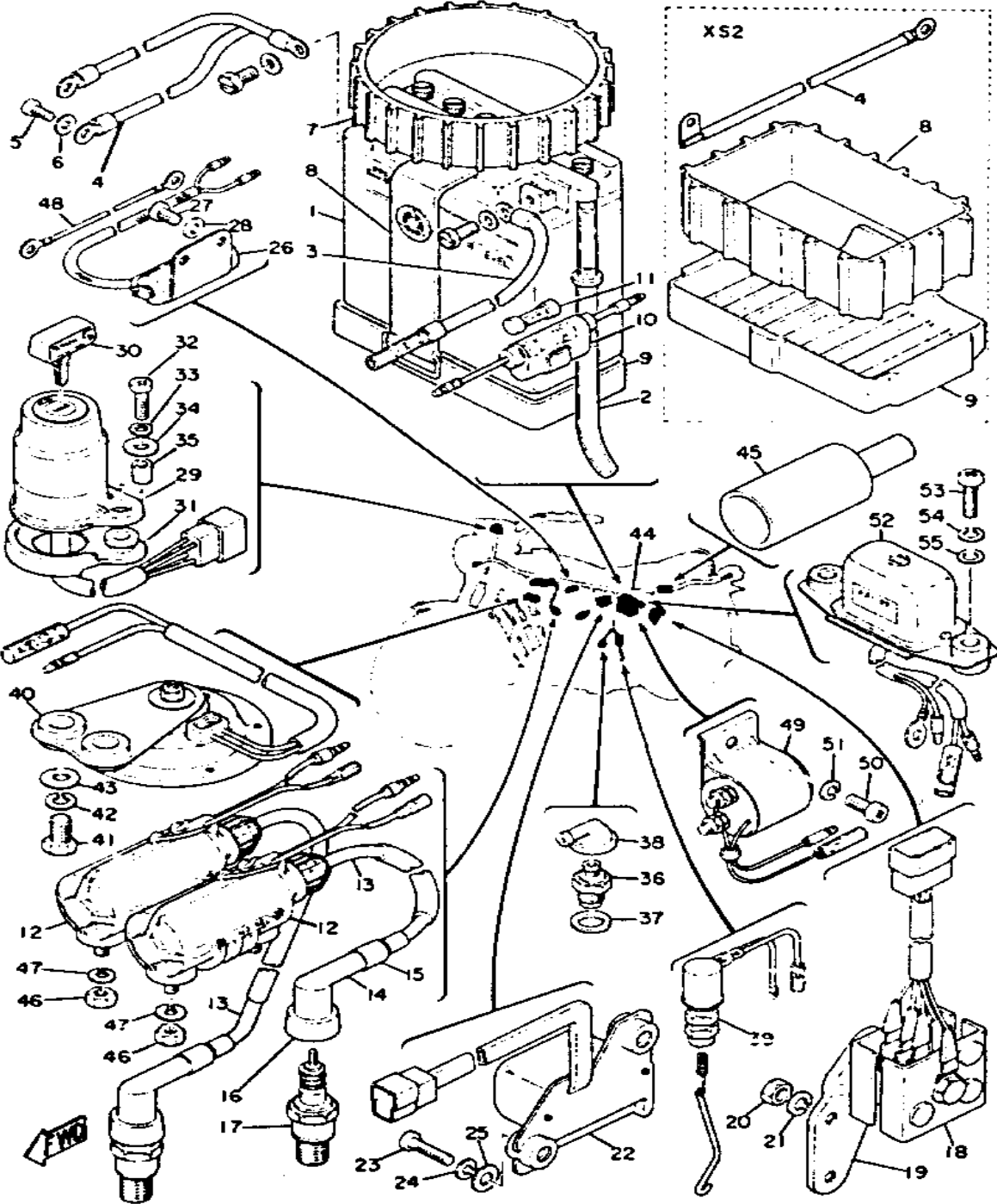
ELECTRICAL



Ref. No.	Part Number	Description	Qty	Remarks
20	95303-08700-00	NUT	1	
21	92990-08100-00	WASHER	1	
22	1L9-81910-50-00	VOLTAGE REG ASSEMBLY ..	1	
23	98511-06025-00	SCREW PAN HEAD (92501-06025)	2	
24	92995-06100-00	WASHER, SPRING	2	
25	90201-06M08-00	WASHER, PLATE	2	
27	98580-06010-00	SCREW, PAN HEAD (92503-06010)	2	
28	92995-06100-00	WASHER, SPRING	2	
29	256-82508-31-00	MAIN SWITCH ASSEMBLY (366-82508-30)	1	
30	(256-82515-00-00)	DAMPER, MAIN SWITCH	1	
31	98580-05020-00	SCREW, PAN HEAD	2	
32	92990-05100-00	WASHER, SPRING	2	
33	90201-05031-00	WASHER, PLATE	2	
34	90387-05285-00	COLLAR (256-82517-00)	2	
35	136-82540-00-00	NEUTRAL SWITCH ASSEMBLY	1	
36	90430-12207-00	GASKET	1	PN315
37	168-82542-10-00	CAP	1	
38	256-82530-01-00	STOP SWITCH ASSEMBLY ...	1	
39	366-83371-52-00	HORN	1	
40	97001-08025-00	BOLT (1NV)	2	
41	92990-08100-00	WASHER	2	
42	90201-08107-00	WASHER, PLATE	2	
43	(256-82590-30-00)	WIRE HARNESS ASSEMBLY ..	1	
	306-82590-30-00	WIRE HARNESS ASSEMBLY ..	1	
44	(214-82599-00-00)	COVER, CONNECTER	1	
	(306-82599-00-00)	COVER, CONNECTER	1	
45	95380-06600-00	NUT	4	

CONTINUED ON NEXT FRAME ►

ELECTRICAL



Ref. No.	Part Number	Description	Qty	Remarks
46	92995-06100-00	WASHER, SPRING	4	
47	256-81615-00-00	WIRE, LEAD	1	
48	8J9-81940-10-00	STARTER RELAY ASSEMBLY	1	PN315
49	98503-06014-00	SCREW, PAN HEAD (92502-06016)	1	
50	92995-06100-00	WASHER, SPRING	1	
51	(306-81950-10-00)	RELAY ASSEMBLY	1	
52	92501-06025-00	SCREW, pan head	2	
53	92995-06100-00	WASHER, SPRING	2	
54	90201-06M08-00	WASHER, PLATE	2	