

DS 7 STREET

Displacement: 247cc
 Bore and Stroke: 54 x 54mm
 Number of Cylinders: 2
 Use: Street
 Cylinder Head Volume: 13.2cc
 P/N 280-11111-00-00
 Carburetor Size: VM 26 SC
 P/N 280-14102-00-00 Right Carburetor
 P/N 280-14101-00-00 Left Carburetor
 Ignition Timing: 2.0mm BTDC
 Spark Plug Heat Range: NGK B 8 HS

Special Parts:

Wide Ratio Transmission

DS 7 STREET

Port Diagram

Cylinder Part No.

Left Cylinder

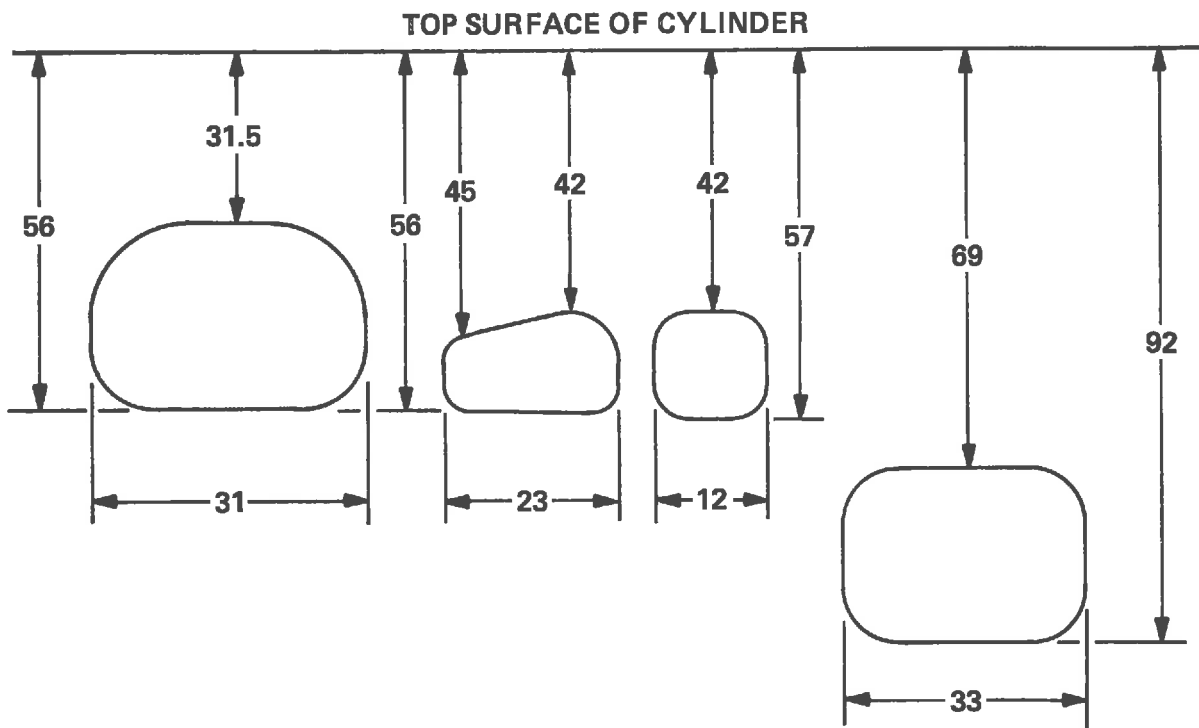
P/N 280-11321-01-00

Right Cylinder

P/N 280-11311-01-00

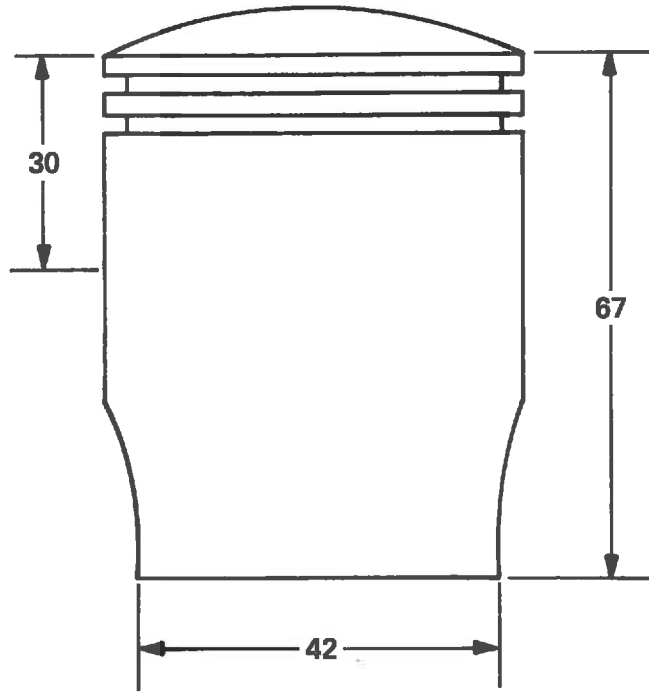
All Dimensions in Millimeters:

Tolerance: $\pm 0.5\text{mm}$



DS 7 STREET

Piston Diagram
Piston Part No. 280-11631-00-96
All Dimensions in Millimeters:
Tolerance: $\pm 0\text{mm}$



TD 3 SPECIAL

Model: TD 3 (DS 7 Engine Used)
 Displacement: 247cc
 Bore and Stroke: 54 x 54mm
 Number of Cylinders: 2
 Use: Road Racer, Drag Racer and Half Miler
 Cylinder Head Volume: 10.2cc
 P/N 239-11111-00-00
 Carburetor Size: VM 34 SC
 P/N 329-14101-00-00
 Ignition Timing: 2.0mm BTDC
 Spark Plug Heat Range: NGK B 10 EN

Special Parts: (Road Racer only)

Rods: TD 3, Slotted
 P/N 328-11650-09-00
 Bearings: TD 3, Rod Bearings
 Small end
 P/N 93310-21636-00
 Big end (Silver cage)
 P/N 93310-42255-00
 Crankshaft Main Bearings –
 Special
 Tachometer Idler Gear Set:
 Bearing P/N 93310-21564-00
 Gear P/N 328-15650-00-00
 Washers – two each P/N 328-15653-00-00
 Must be installed as a set.
 Ignition System: TD 3
 CDI Magneto Assembly
 P/N 328-8500-10-00
 Ignition Coil – two each
 P/N 328-82310-60-00
 CDI Unit Assembly
 P/N 328-85540-10-00
 Clutch: TD 3
 Exposed, dry type
 P/N 328-16301-10-00
 Primary Gear
 P/N 329-16111-00-00
 Clutch Primary Gear
 P/N 329-16150-10-00 (Use this gear when using exposed, dry type clutch.)
 Covered, wet type
 P/N 329-16301-00-00
 Primary Gear
 P/N 329-16111-00-00 (Use this gear when using covered, wet type clutch.)
 TD 3 Close Ratio Transmission 5 or 6 Speed Transmission available
 Transmission Shaft: Special Type for Racing Clutch
 Expansion Chambers: TD 3
 Left Side – P/N 329-14610-00-00
 Right Side – P/N 329-14620-00-00

1972

TD 3 SPECIAL

Optional Equipment:

Chassis: TD 3

Frame:

P/N 328-21110-00-33

Swing Arm:

P/N 239-22110-00-33

Wheels: TD 3

28-inch Alloy Rims

Brakes: TD 3 Drum Type

Four Leading Shoes – Front

One Leading, One Trailing – Rear

Gas Tank Assembly

P/N 328-24110-00-00

Front Forks Assembly

P/N 328-23100-00-00

Fairing Assembly

P/N 328-28350-00-02

NOTE

When using TD 3 parts in DS 7 engine, be sure to check parts book for interchangeability. Many individual parts are not interchangeable, and must be ordered and used as sets.

TD 3 SPECIAL

TD 3 Road Race Cylinder Used

Left Cylinder

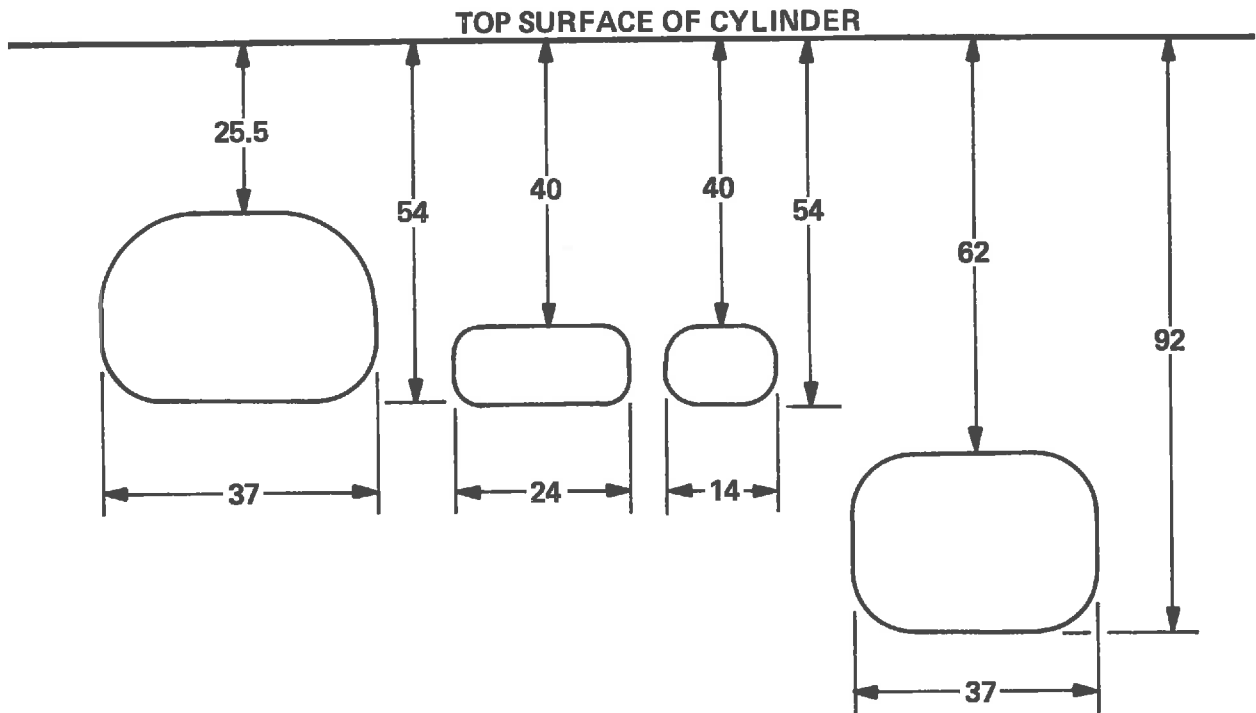
P/N 329-11311-00-00

Right Cylinder

P/N 329-11321-00-00

All Dimensions in Millimeters:

Tolerance: $\pm 0.5\text{mm}$



1972

TD 3 SPECIAL

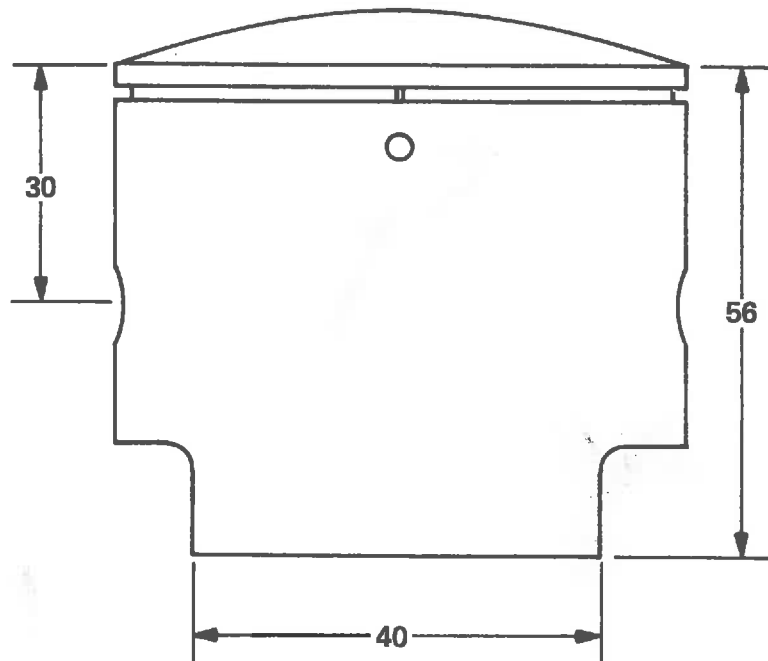
Piston Diagram

Piston Part No. TD 3

329-11631-00-96

All Dimensions in Millimeters:

Tolerance: $\pm 0\text{mm}$



TD 3 SPECIAL

Expansion Chamber
Left Expansion Chamber
P/N 329-14610-00-00
Right Expansion Chamber
P/N 329-14620-00-00
Material Thickness 1mm
All Dimensions in Millimeters:
Tolerance: $\pm 1.0\text{mm}$

