

**AT 2 ENDURO**

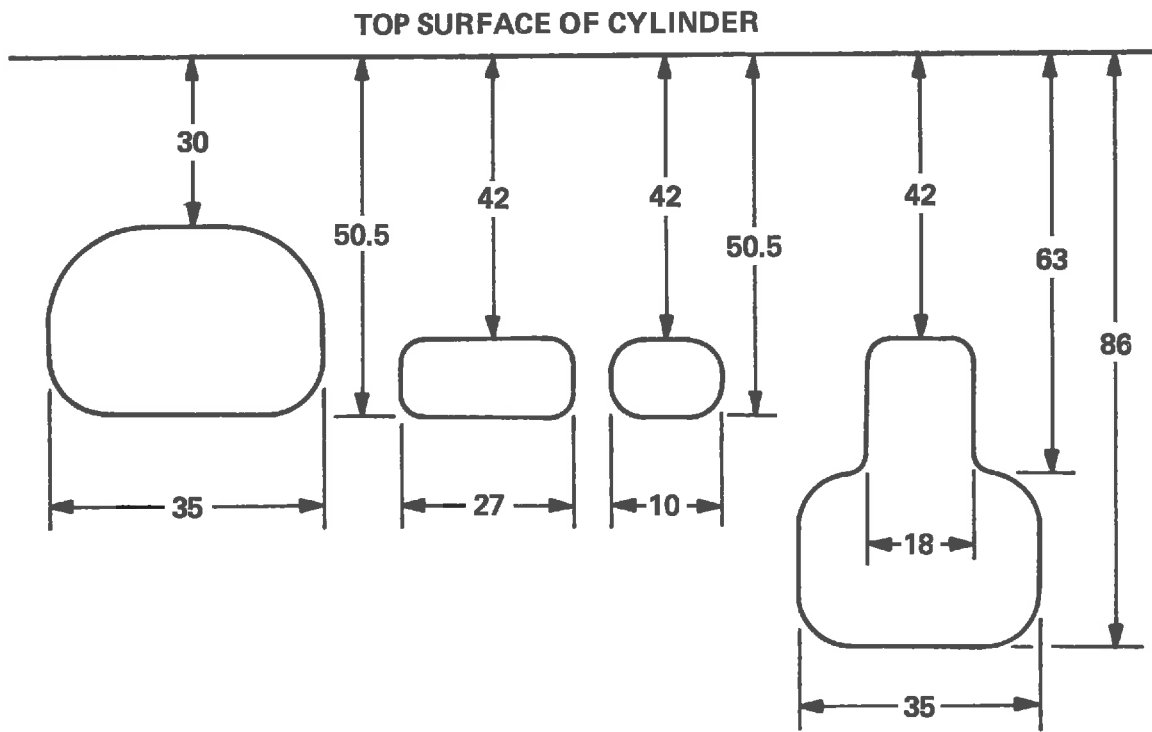
Displacement: . . . . . 123cc  
 Bore and Stroke: . . . . . 56 x 50mm  
 Number of Cylinders: . . . . . 1  
 Use: . . . . . Street and Trail  
 Cylinder Head Volume: . . . . . 14.4cc  
     P/N 316-11111-00-00  
 Compression Ratio: . . . . . 7.1 to 1  
 Carburetor Size: . . . . . VM 24 SH  
     P/N 316-14101-00-00  
 Ignition Timing: . . . . . 1.8mm BTDC  
 Spark Plug Heat Range: . . . . . NGK B 8 ES

**Special Parts:**

Wide Ratio Transmission

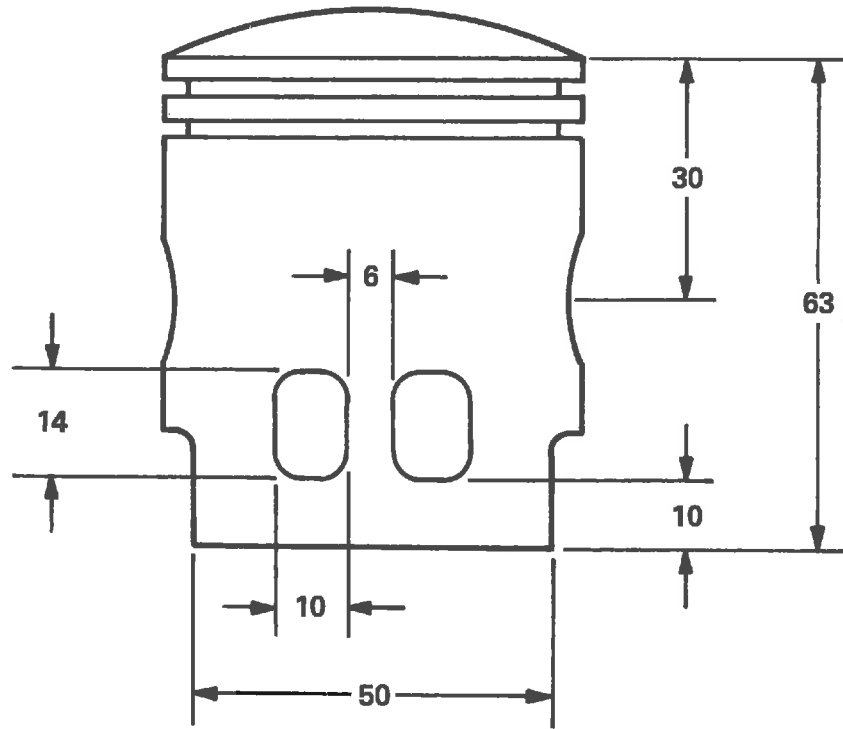
AT 2 ENDURO

Port Diagram  
Cylinder Part No. 316-11311-00-00  
All Dimensions in Millimeters:  
Tolerance:  $\pm 0.5\text{mm}$



**AT 2 ENDURO**

Piston Diagram  
Part No. 316-11631-00-96  
All Dimensions in Millimeters:  
Tolerances:  $\pm 0\text{mm}$





**AT 2 MOTOCROSS**

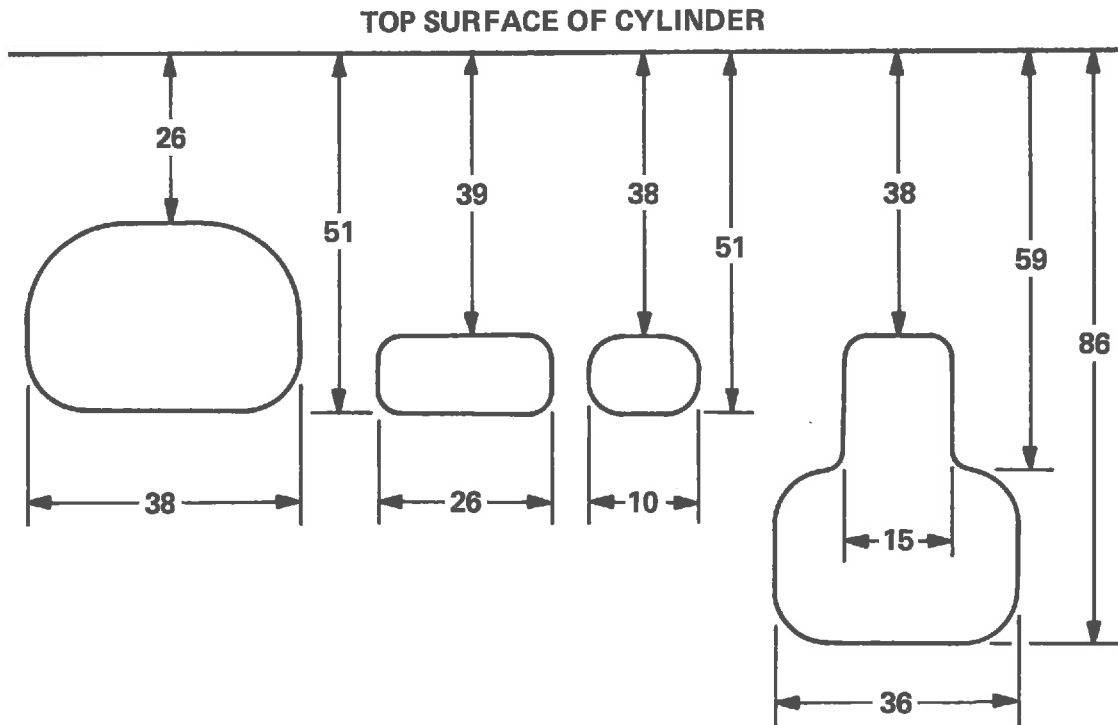
Displacement: . . . . . 123cc  
 Bore and Stroke: . . . . . 56 x 50mm  
 Number of Cylinders: . . . . . 1  
 Use: . . . . . Motocross and Scrambles  
 Cylinder Head Volume: . . . . . 11.8cc  
     P/N 318-11111-00-00  
 Compression Ratio: . . . . . 7.8 to 1  
 Carburetor Size: . . . . . VM 26 SC  
     P/N 318-14101-00-00  
 Ignition Timing: . . . . . 2.0mm BTDC  
 Spark Plug Heat Range: . . . . . NGK B 9 EN

**Special Parts:**

Rod Bearing: . . . . . Silver Cage  
     P/N 93310-42277-00  
 Ignition System: . . . . . Flywheel Magneto  
     P/N 314-81300-10-00  
 Close Ratio Transmission: . . . . . AT 2 MX  
 Expansion Chamber: . . . . . P/N 318-14610-00-00  
 For Motocross with magnetos only – left crank wheel P/N 314-11412-00-00

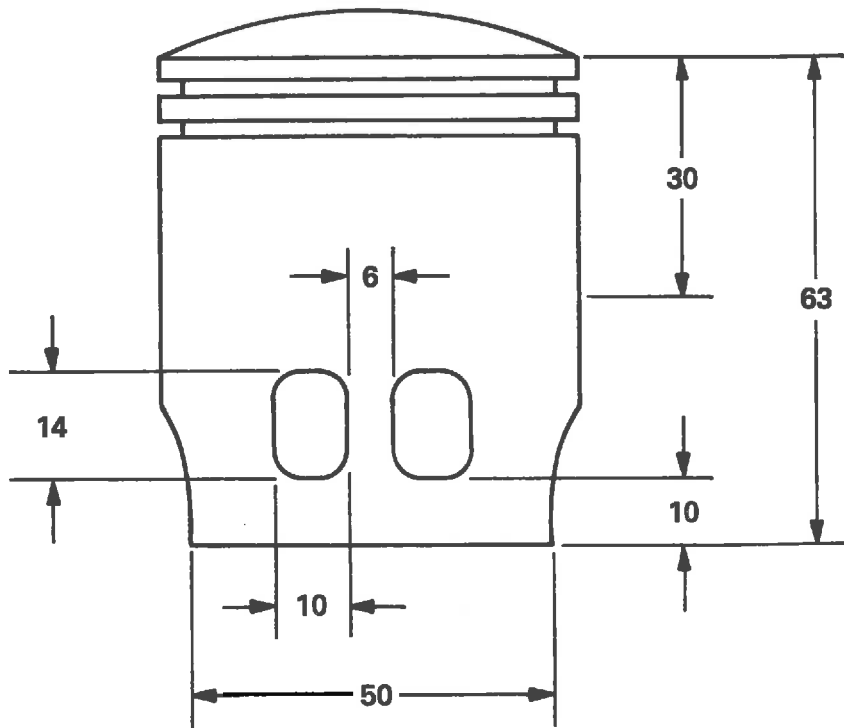
**AT 2 MOTOCROSS**

Port Diagram  
Cylinder Part No. 318-11311-00-00  
All Dimensions in Millimeters:  
Tolerance:  $\pm 0.5\text{mm}$



**AT 2 MOTOCROSS**

Piston Diagram  
Piston Part No. 318-11631-00-96  
All Dimensions in Millimeters:  
Tolerance:  $\pm 0\text{mm}$



1972

AT 2 MOTOCROSS

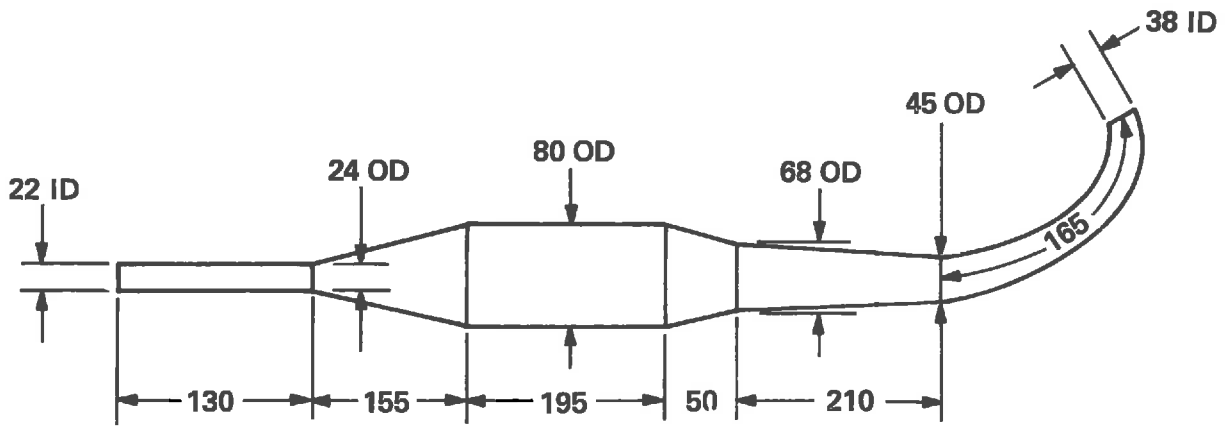
Expansion Chamber

Part No. 318-14610-00-00

Material Thickness 1mm

All Dimensions in Millimeters:

Tolerance:  $\pm 1.0\text{mm}$





**AT 2 MOTOCROSS SPECIAL**

Displacement: . . . . . 123cc  
 Bore and Stroke: . . . . . 56 x 50mm  
 Number of Cylinders: . . . . . 1  
 Use: . . . . . Short Track and TT  
 Cylinder Head Volume: . . . . . 11.8cc  
     P/N 318-11111-00-00  
 Compression Ratio: . . . . . 7.6 to 1  
 Carburetor Size: . . . . . VM 30 SC  
     P/N 313-14101-60-00  
 Ignition Timing: . . . . . 2.0mm BTDC  
 Spark Plug Heat Range: . . . . . NGK B 9 EN

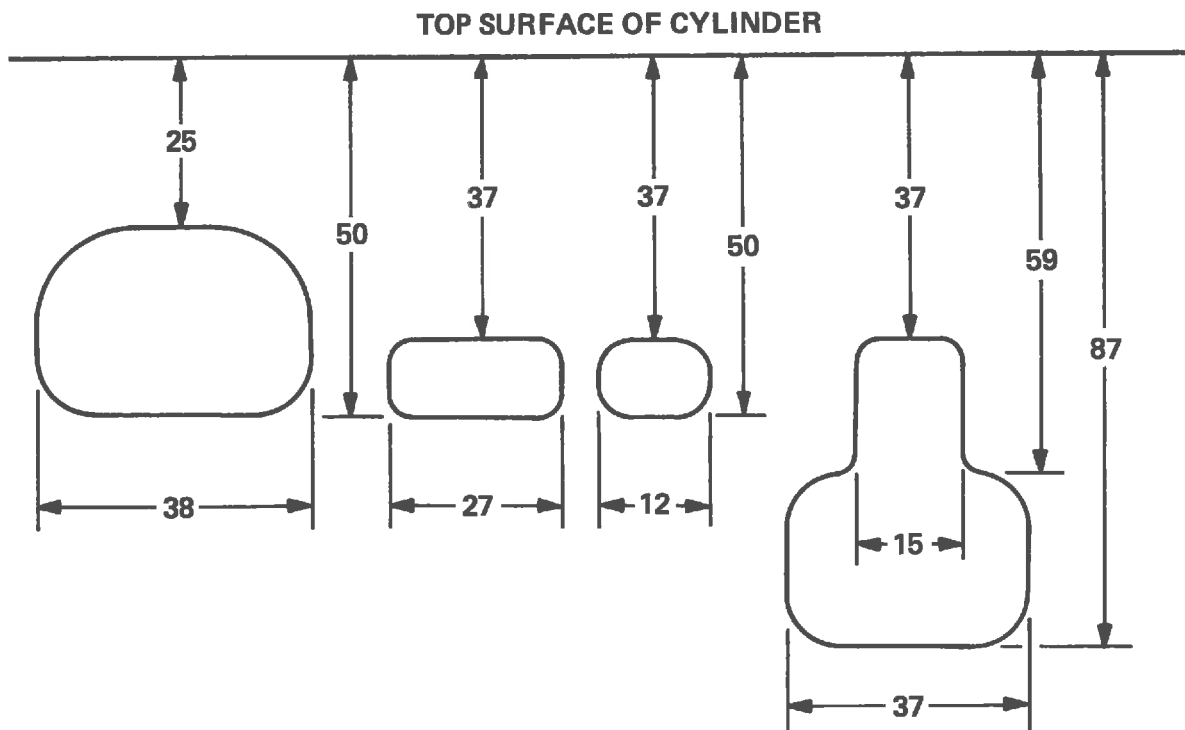
**Special Parts:**

Rod: . . . . . Slotted, 2mm wide and 10mm long  
 Rod Bearing: . . . . . Silver Cage  
     P/N 93310-42255-00  
     Special Type – TD and TR3  
 Ignition System: . . . . . Flywheel Magneto  
     P/N 314-81300-10-00  
 Close Ratio Transmission: . . . . . AT 2 MX  
 Expansion Chamber: . . . . . Special

Others: For motorcycles with magnetos only – Left crank wheel  
     P/N 314-11412-00-00

AT 2 MOTOCROSS SPECIAL

Port Diagram  
Cylinder Part No. 318-11311-00-00  
All Dimensions in Millimeters:  
Tolerance:  $\pm 0.5\text{mm}$



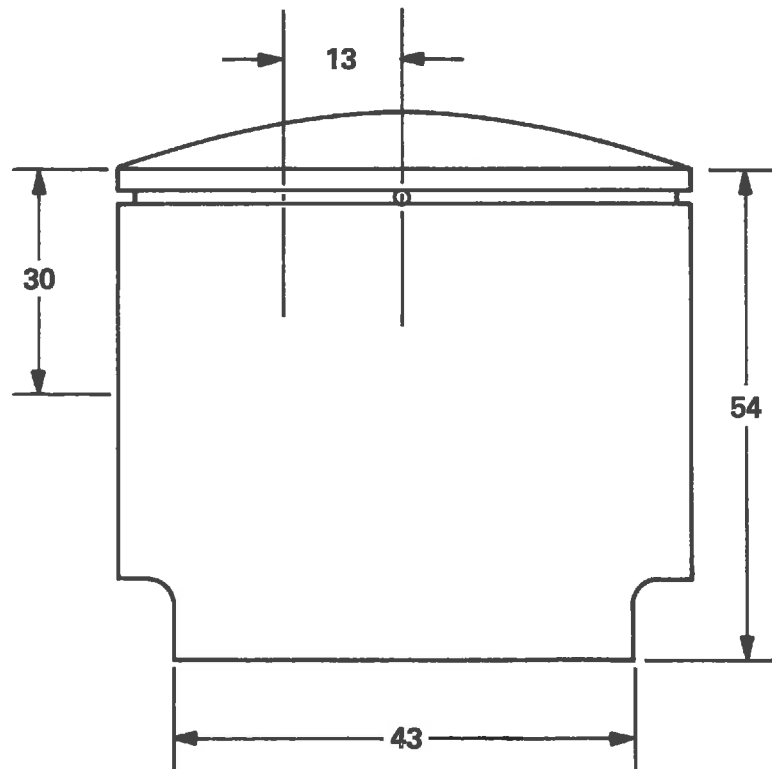
**AT 2 MOTOCROSS SPECIAL**

Piston Diagram  
TD2B P/N 240-11631-00-96  
TD2B Piston Ring P/N 240-11611-00-00  
All Dimensions in Millimeters:  
Tolerances:  $\pm 0\text{mm}$

**CAUTION**

When TD 2 piston is used with AT 2 cylinder,  
ring gap must be relocated.

Standard size piston only.



1972

AT 2 MOTOCROSS SPECIAL

Expansion Chamber: Special  
Material Thickness 1mm  
All Dimensions in Millimeters:  
Tolerance:  $\pm 1.0\text{mm}$

