

**LT 2 ENDURO**

Displacement: . . . . . 97cc  
 Bore and Stroke: . . . . . 52 x 45mm  
 Number of Cylinders: . . . . . 1  
 Use: . . . . . Street and Trail  
 Cylinder Head Volume: . . . . . 11.8cc  
     P/N 305-11111-00-94  
 Compression Ratio: . . . . . 6.9 to 1  
 Carburetor Size: . . . . . VM 20 SH  
     P/N 305-14101-00-00  
 Ignition Timing: . . . . . 1.8mm BTDC  
 Spark Plug Heat Range: . . . . . NGK B 8 HS

**Special Parts:**

Rod: . . . . . Drilled – LT 2 ENDURO  
     P/N 304-11651-00-00  
 Rod Bearing: . . . . . Silver Cage  
     P/N 93310-42276-00  
 Wide Ratio Transmission

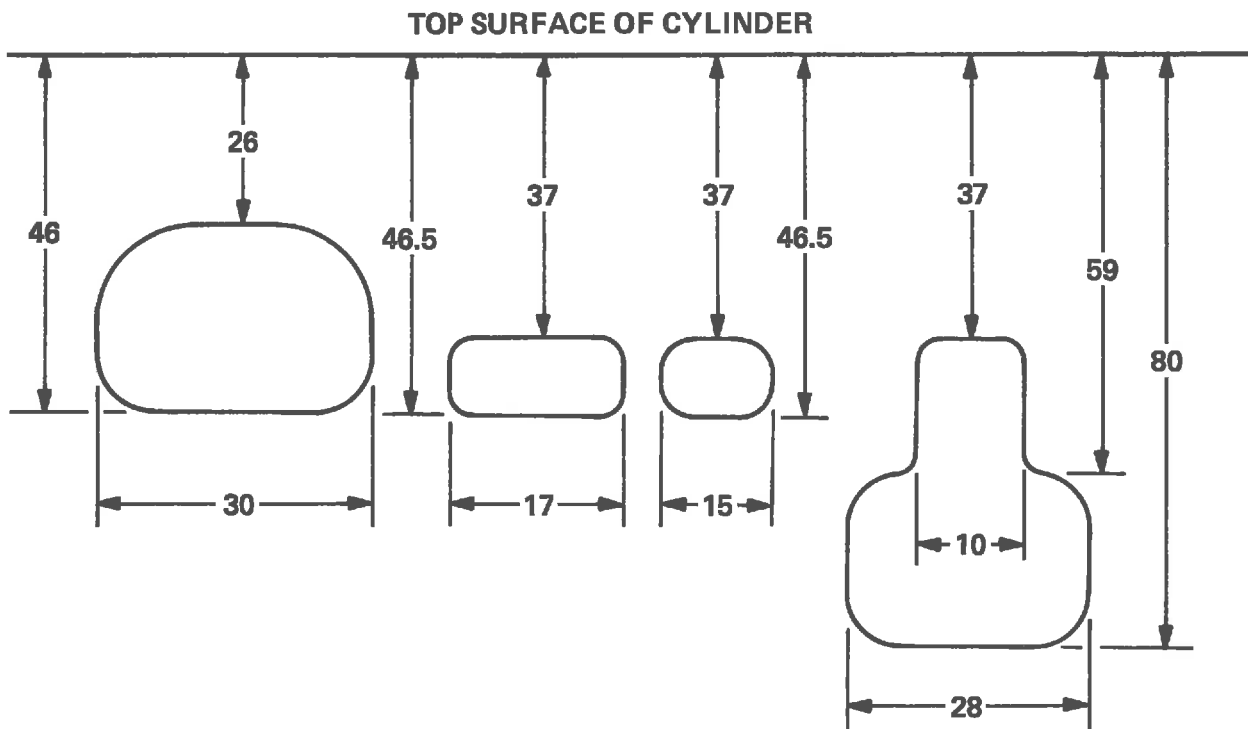
**LT 2 ENDURO**

Port Diagram

Cylinder Part No. 305-11311-00-00

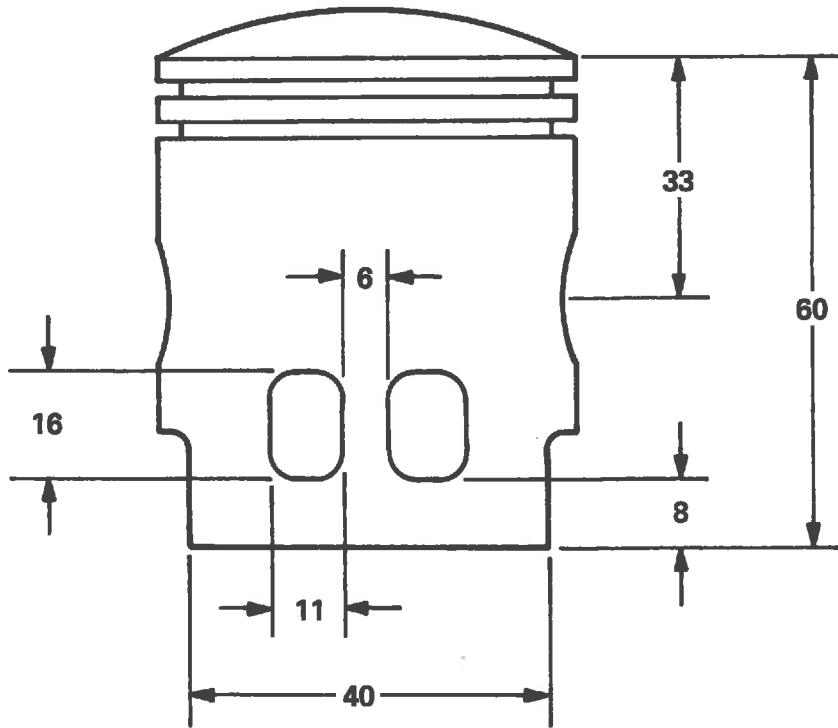
All Dimensions in Millimeters:

Tolerance:  $\pm 0.5\text{mm}$



**LT 2 ENDURO**

Piston Diagram  
Piston Part No. 305-11631-00-96  
All Dimensions in Millimeters:  
Tolerances:  $\pm 0\text{mm}$





**LT 2 MOTOCROSS**

Displacement: . . . . . 97cc  
 Bore and Stroke: . . . . . 52 x 45mm  
 Number of Cylinders: . . . . . 1  
 Use: . . . . . Motocross and Scrambles  
 Cylinder Head Volume: . . . . . 9.8cc  
     P/N 355-11111-00-94  
 Compression Ratio: . . . . . 7.8 to 1  
 Carburetor Size: . . . . . VM 26 SC  
     P/N 335-14101-00-00  
 Ignition Timing: . . . . . 2.0mm BTDC  
 Spark Plug Heat Range: . . . . . NGK B 9 HN

**Special Parts:**

Rod: . . . . . Drilled – LT 2 ENDURO  
     P/N 304-11651-00-00  
 Rod Bearing: . . . . . Silver Cage  
     P/N 93310-42276-00  
 Close Ratio Transmission: . . . . . LT 2 MX  
 Expansion Chamber: . . . . . P/N 335-14610-00-00

1972

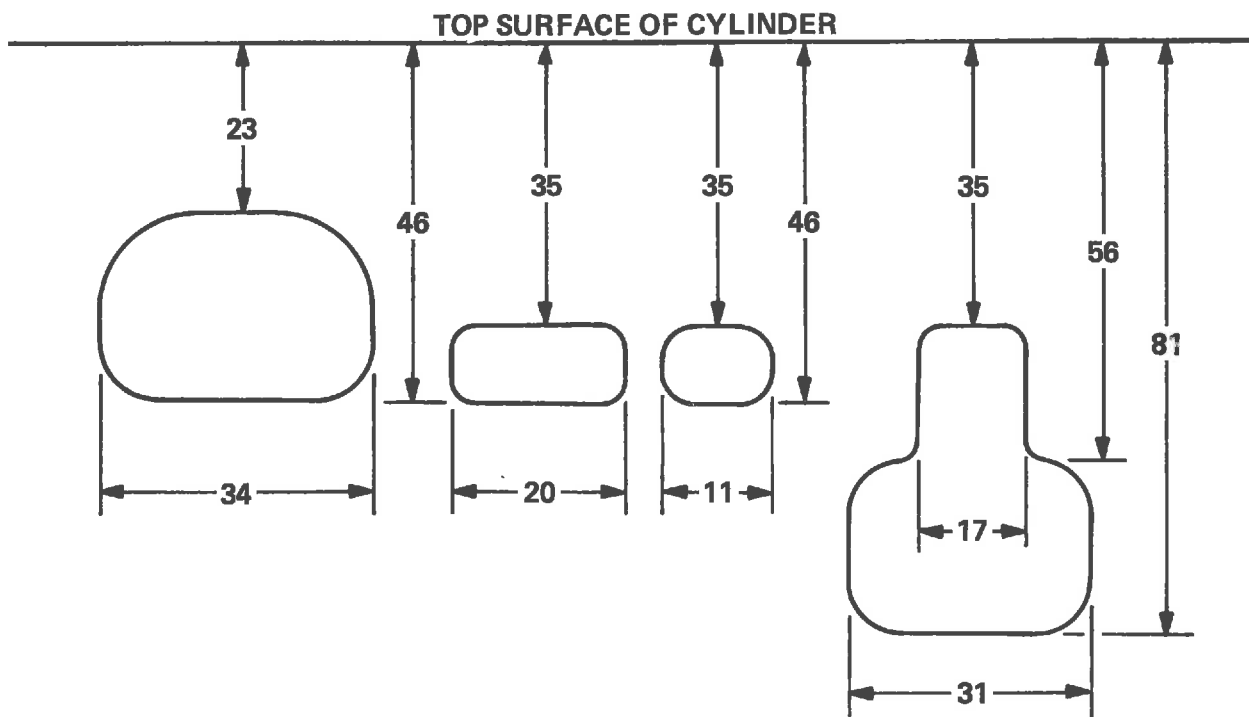
**LT 2 MOTOCROSS**

Port Diagram

Cylinder Part No. 335-11311-00-00

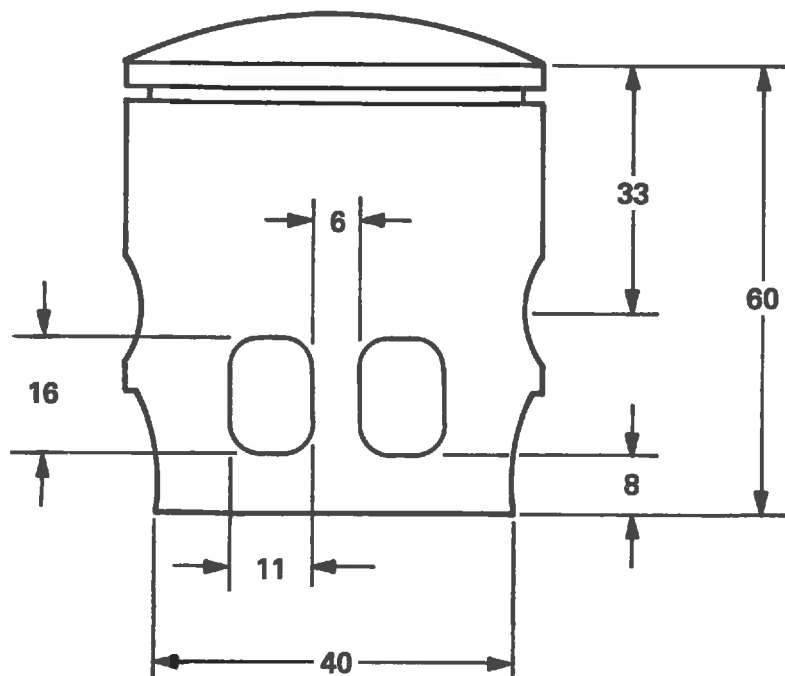
All Dimensions in Millimeters:

Tolerance:  $\pm 0.5\text{mm}$



**LT 2 MOTOCROSS**

Piston Diagram  
Piston Part No. 335-11631-00-96  
All Dimensions in Millimeters:  
Tolerances:  $\pm 0\text{mm}$



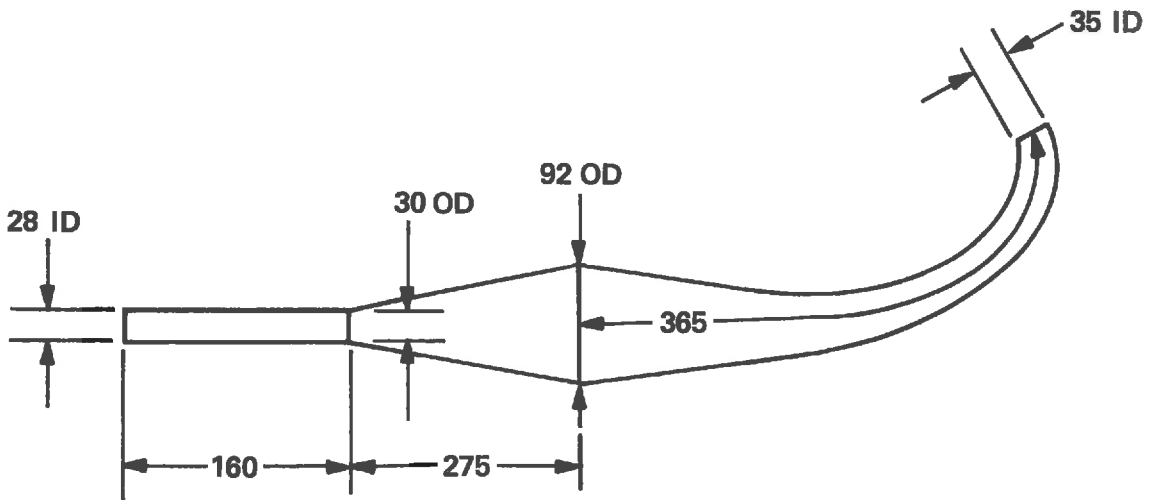
1972

**LT 2 MOTOCROSS**

Expansion Chamber  
Part No. 335-14610-00-00  
Material Thickness 1mm  
All Dimensions in Millimeters:  
Tolerance: + 1.0mm

**NOTE**

This expansion chamber is very difficult to measure accurately due to the stamped, welded construction.





**LT 2 MOTOCROSS SPECIAL**

Displacement: . . . . . 97cc  
 Bore and Stroke: . . . . . 52 x 45mm  
 Number of Cylinders: . . . . . 1  
 Use: . . . . . Short Track and TT  
 Cylinder Head Vol.: . . . . . Not Available  
     P/N 355-11111-00-94  
 Compression Ratio: . . . . . 8 to 1  
 Carburetor Size: . . . . . VM 28 SC  
     P/N 278-14101-00-00  
 Ignition Timing: . . . . . 2.0mm BTDC  
 Spark Plug Heat Range: . . . . . NGK B 9 EN

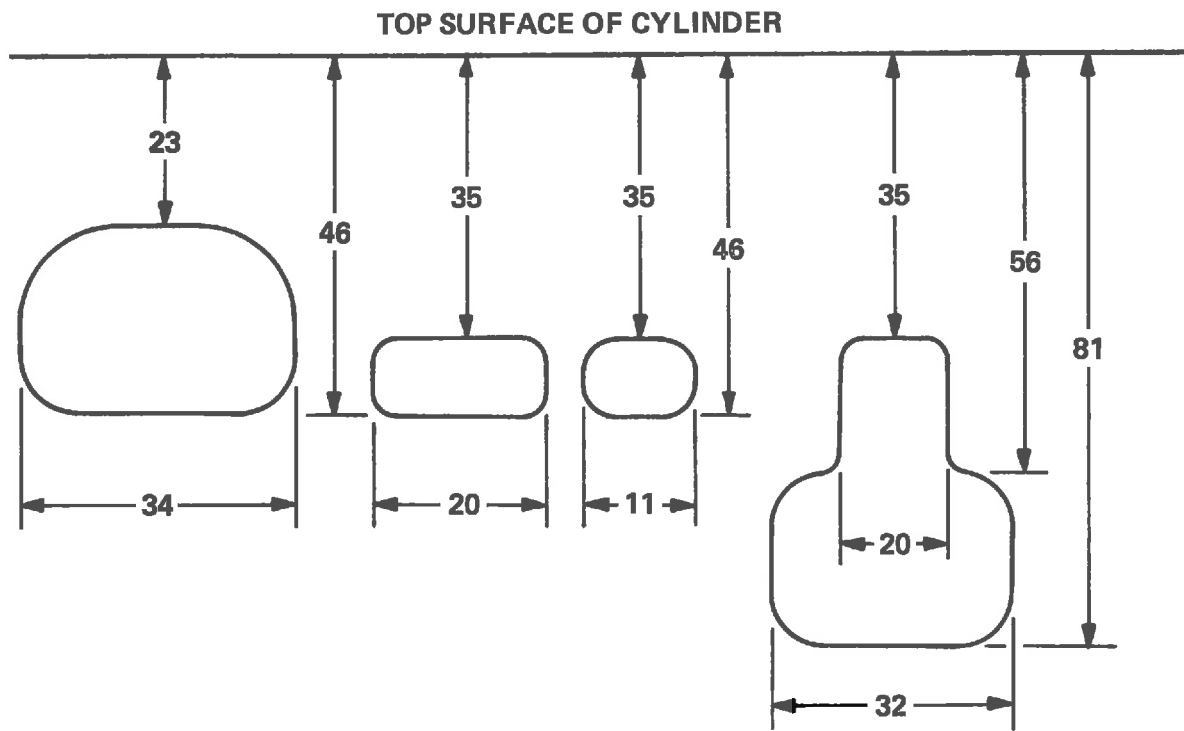
**Special Parts:**

Rod: . . . . . LT 2 ENDURO  
     P/N 304-11651-00-00  
 Rod Bearing: . . . . . Special-TD2B  
     P/N 93310-42249-00  
 Close Ratio Transmission: . . . . . LT 2 MX  
 Expansion Chamber: . . . . . LT 2 MX  
     P/N 335-14610-00-00

1972

**LT 2 MOTOCROSS SPECIAL**

Port Diagram  
Cylinder Part No. 335-11311-00-00 Modified  
All Dimensions in Millimeters:  
Tolerance:  $\pm 0.5\text{mm}$



**LT 2 MOTOCROSS SPECIAL**

Piston Diagram  
 Piston Part No. 335-11631-00-96  
 All Dimensions In Millimeters:  
 Tolerance:  $\pm 0\text{mm}$

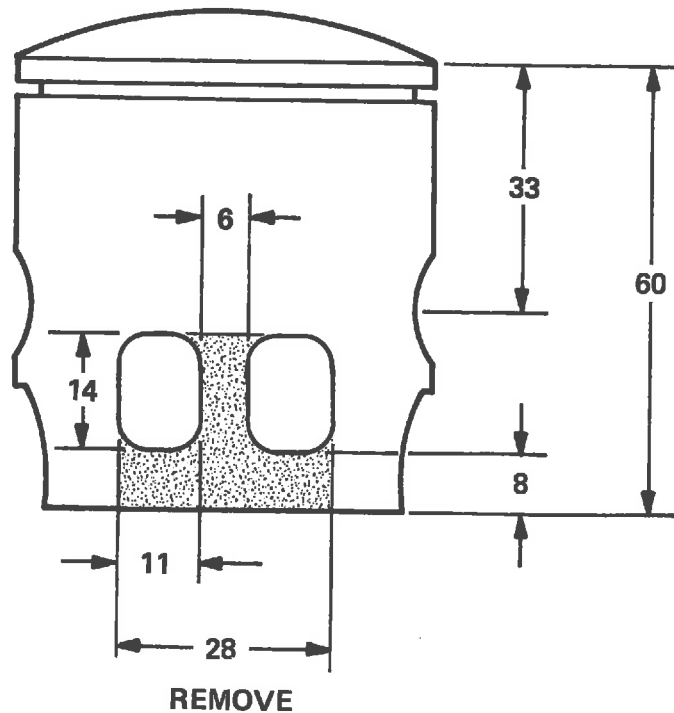
**CAUTION**

**After cutting off a portion of the piston skirt, be sure to check for cracks along edge of skirt and around intake ports after each race.**

**If there is evidence of cracks or extreme wear, replace piston.**

**NOTE**

When modifying piston skirt, be sure to modify the intake side only. This will change port timing.



**LT 2 MOTOCROSS SPECIAL**

Expansion Chamber

Part No. 335-14610-00-00

Material Thickness 1mm

All Dimensions in Millimeters:

Tolerance: + 1.0mm

**NOTE**

This expansion chamber is very difficult to measure accurately due to the stamped, welded construction. It is advisable to purchase a complete expansion chamber, then make any desired modifications to a pipe of correct volume.

